

RT9081AGQZA Linear Regulator Evaluation Board

Purpose

The RT9081A is a high performance positive voltage regulator with separated bias voltage (V_{BIAS}), designed for applications requiring low input voltage and ultra low dropout voltage, output current up to 500mA. This document explains the function and use of the RT9081A evaluation board (EVB), and provides information to enable operation, modification of the evaluation board and circuit to suit individual requirements.

Table of Contents

Purpose	1
Introduction.....	2
Key Performance Summary Table	2
Bench Test Setup Conditions	3
Schematic, Bill of Materials & Board Layout	5
PCB Layout	6
More Information.....	7
Important Notice for Richtek Evaluation Board	7

Introduction

General Product Information

The RT9081A is a high performance positive voltage regulator with separated bias voltage (V_{BIAS}), designed for applications requiring low input voltage and ultra low dropout voltage, output current up to 500mA. The feature of ultra low dropout voltage is ideal for applications where output voltage is very close to input voltage. The input voltage can be as low as 0.8V and the output voltage is adjustable by an external resistive divider. The RT9081A features very low quiescent current consumption for portable applications. The device is available in the ZADFN-6L 1.2x1.2 package.

Product Feature

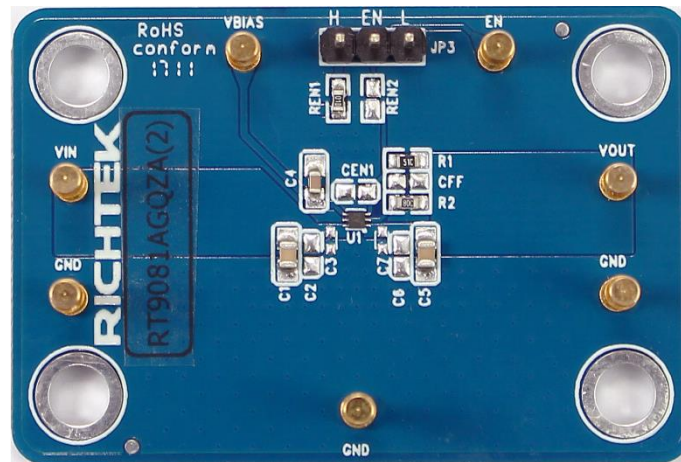
- Input Voltage Range : 0.8V to 5.5V
- Bias Voltage Range : 2.4V to 5.5V
- 1.5% Output Voltage Accuracy @ 25°C
- Ultra Low Dropout Voltage : 140mV at 500mA
- Low Bias Input Current :
 - ▶ 80μA in Operating Mode
 - ▶ 0.5μA in Disable Mode
- Enable Control
- Active Discharge Function
- Stable with a 1μF Output Ceramic Capacitor

Key Performance Summary Table

Key Features	Evaluation Board Number: PCB087_V1
Default Input Voltage	$V_{OUT(Normal)} + 0.3V < V_{IN} < 5.5V$, $V_{OUT} + 1.6V < V_{BIAS} < 5.5V$
Max Output Current	500mA
Default Output Voltage	1.2V
Default Marking & Package Type	RT9081AGQZA(2), ZADFN-6L 1.2x1.2

Bench Test Setup Conditions

Headers Description and Placement



Carefully inspect all the components used in the EVB according to the following Bill of Materials table, and then make sure all the components are undamaged and correctly installed. If there is any missing or damaged component, which may occur during transportation, please contact our distributors or e-mail us at evb_service@richtek.com.

Test Points

The EVB is provided with the test points and pin names listed in the table below.

Test point/ Pin name	Signal	Comment (expected waveforms or voltage levels on test points)
VIN	Input voltage	Power input for the LDO.
EN	Enable test point	LDO enable signal input.
GND	Ground	Ground.
VBIAS	Power input for the internal control circuit	Supply voltage for the LDO control circuit. Mandatory to power up VBIAS before EN and VIN.
VOUT	Output voltage	Power output for the LDO.

Power-up & Measurement Procedure

1. Connect input power ($V_{VOUT} + 0.3V < V_{IN} < 5.5V$, $V_{OUT} + 1.6V < V_{BIAS} < 5.5V$) and input ground to VIN/VBIAS and GND test pins respectively.
2. Connect positive end and negative terminals of load to VOUT and GND test pins respectively.
3. There is a 3-pin header "EN" for enable control. To use a jumper at "H" option to tie EN test pin to input power VIN for enabling the device. Inversely, to use a jumper at "L" option to tie EN test pin and ground GND for disabling the device.
4. Verify the output voltage (approximately 1.2V) between VOUT and GND.
5. Connect an external load up to 500mA to the VOUT and GND terminals and verify the output voltage and current.

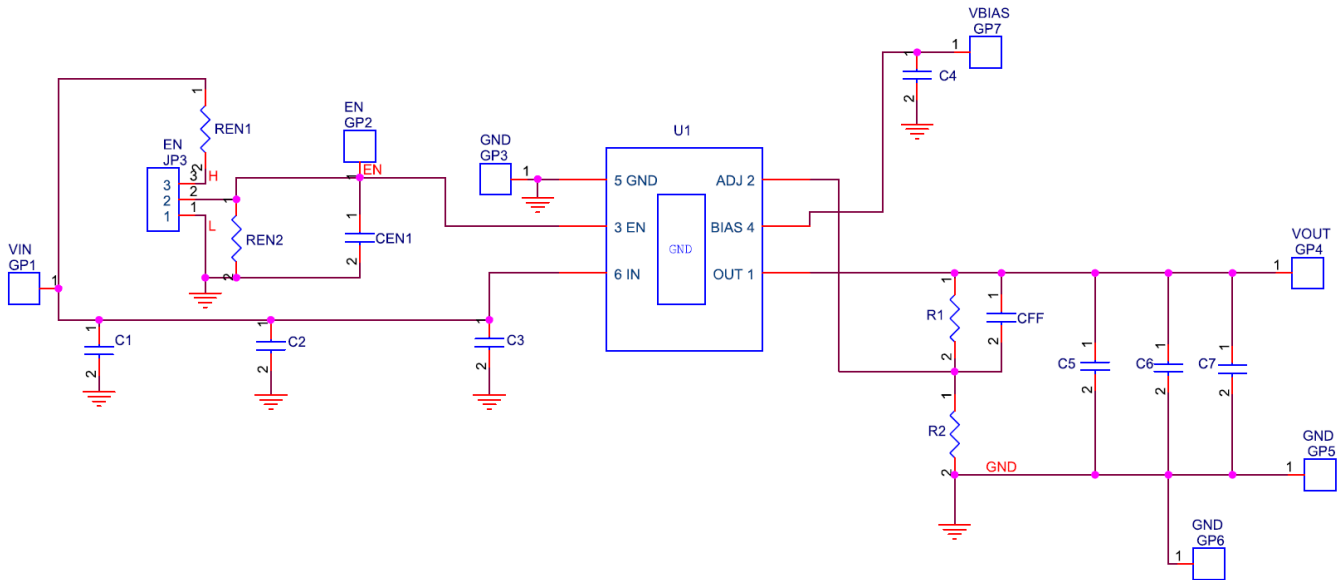
Output Voltage Setting

Set the output voltage with the resistive divider (R1, R2) between VOUT and GND with the midpoint connected to FB. The output is set by the following formula:

$$V_{VOUT} = 0.8V \times \left(1 + \frac{R1}{R2}\right)$$

Schematic, Bill of Materials & Board Layout

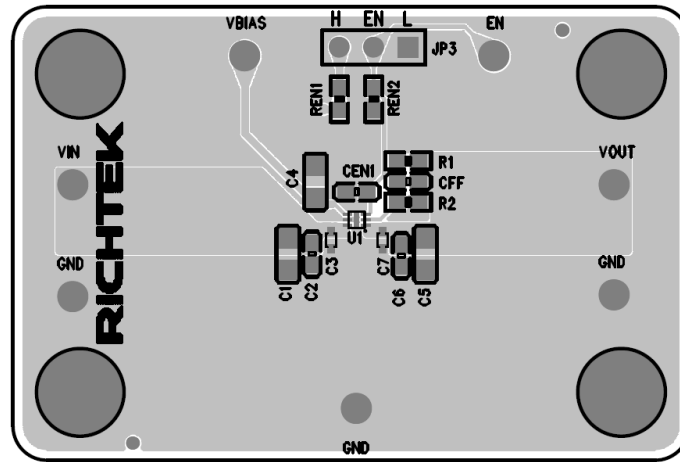
EVB Schematic Diagram



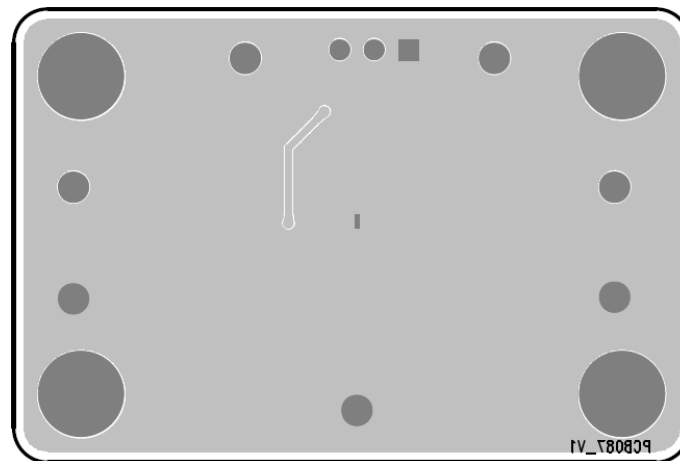
Bill of Materials

Reference	Qty	Part number	Description	Package	Manufacture
U1	1	RT9081AGQZA(2)	Linear Regulator	ZADFN-6L 1.2x1.2	RICHTEK
C1, C5	2	C2012X7R1E105KT	1 μ F/25V/X7R	C-0805	TDK
C4	1	C1608X7R1H104K080AA	0.1 μ F/50V/X7R	C-0603	TDK
R1	1	RTT033322FTP	33.2k	R-0603	旺詮
R2	1	WR06X6652FTL	66.5k	R-0603	WALSIN
REN1	1	WR06X1003FTL	100k	R-0603	WALSIN

PCB Layout



PCB Layout—Top View



PCB Layout—Bottom View

More Information

For more information, please find the related datasheet or application notes from Richtek website <http://www.richtek.com>.

Important Notice for Richtek Evaluation Board

THIS DOCUMENT IS FOR REFERENCE ONLY, NOTHING CONTAINED IN THIS DOCUMENT SHALL BE CONSTRUED AS RICHTEK'S WARRANTY, EXPRESS OR IMPLIED, UNDER CONTRACT, TORT OR STATUTORY, WITH RESPECT TO THE PRESENTATION HEREIN. IN NO EVENT SHALL RICHTEK BE LIABLE TO BUYER OR USER FOR ANY AND ALL DAMAGES INCLUDING WITHOUT LIMITATION TO DIRECT, INDIRECT, SPECIAL, PUNITIVE OR CONSEQUENTIAL DAMAGES.

单击下面可查看定价，库存，交付和生命周期等信息

[>>Richtek\(台湾立锜\)](#)