

Temperature Sensor IC Low Current Thermostat Output

BDJ0600AHFV

General Description

BDJ0600AHFV is a thermostat output temperature sensor IC with built-in temperature detection element, constant current circuit, and a high-accuracy reference voltage source in one chip. Temperature detection can be realized at ± 2.5 °C accuracy without the need for a complicated design. It is best suited for portable equipment of micro- and low-current, power down function, and battery drive.

Key Specifications

- Power Supply Voltage Range: 2.4 V to 5.5 V
- Supply Current:
 - Normal Function Mode 7.5 μ A (Typ)
 - Power Down Mode 0.3 μ A (Typ)
- High Accuracy Thermostat: ± 2.5 °C (Max) @Ta=60 °C
- Detection Temperature Hysteresis: 10.0 °C (Typ)
- Operating Temperature Range: -30 °C to +100 °C

Features

- Built-in Power Down Control Function (PD Input Interface Voltage is 1.5 V)
- OS Output Active L

Applications

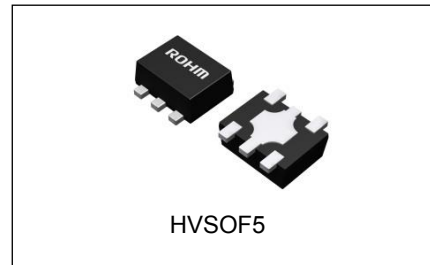
- Smart Phone (RF Module, Audio-AMP, LED Driver, etc.)
- Digital Still Camera
- Notebook PC

Package

HVSO5F5

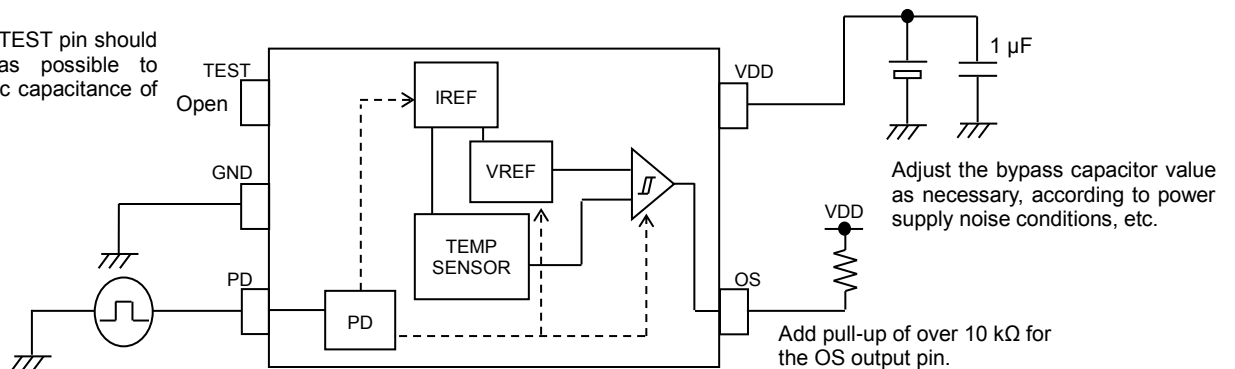
W(Typ) x D(Typ) x H(Max)

1.60 mm x 1.60 mm x 0.60 mm



Typical Application Circuit and Block Diagram

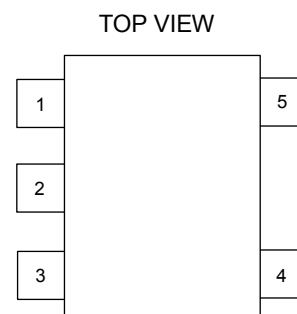
Land pattern for TEST pin should be as small as possible to minimize parasitic capacitance of the pattern.



Pin Descriptions

| Pin No. | Pin Name | Function |
|---------|----------|---|
| 1 | TEST | Test Pin (Open) |
| 2 | GND | Ground |
| 3 | PD | Power Down Control H: Normal Function Mode L: Power Down Mode |
| 4 | OS | Digital Thermostat Output (Open-Drain Active-Low) |
| 5 | VDD | Power Supply Voltage |

Pin Configuration



○Product structure : Silicon monolithic integrated circuit ○This product has no designed protection against radioactive rays

Contents

| | |
|--|----|
| General Description | 1 |
| Features | 1 |
| Applications | 1 |
| Key Specifications | 1 |
| Package | 1 |
| Typical Application Circuit and Block Diagram | 1 |
| Pin Descriptions | 1 |
| Pin Configuration | 1 |
| Contents | 2 |
| Absolute Maximum Ratings | 3 |
| Thermal Resistance | 3 |
| Recommended Operating Conditions | 4 |
| Electrical Characteristics | 4 |
| Temperature Characteristics | 4 |
| Typical Performance Curves | 5 |
| Figure 1. Supply Current vs Power Supply Voltage | 5 |
| Figure 2. Supply Current vs Temperature | 5 |
| Application Information | 6 |
| I/O Equivalence Circuits | 7 |
| Operational Notes | 8 |
| Ordering Information | 10 |
| Marking Diagram | 10 |
| Physical Dimension and Packing Information | 11 |
| Revision History | 12 |

Absolute Maximum Ratings (Ta=25 °C)

| Parameter | Symbol | Rating | Unit |
|------------------------------|-------------------|--|------|
| Power Supply Voltage | V _{DD} | 7.0 (Note 1) | V |
| Input Voltage (PD) | V _{IN} | -0.3 to (V _{DD} +0.3) or +7.0 whichever is less | V |
| OS Pin Voltage | V _{OS} | -0.3 to +7.0 (Note 1) | V |
| OS Pin Current | I _{OS} | 5.0 | mA |
| Maximum Junction Temperature | T _{Jmax} | 150 | °C |
| Storage Temperature Range | T _{stg} | - 55 to +150 | °C |

(Note 1) However, not exceeding Maximum Junction Temperature.

Caution 1: Operating the IC over the absolute maximum ratings may damage the IC. The damage can either be a short circuit between pins or an open circuit between pins and the internal circuitry. Therefore, it is important to consider circuit protection measures, such as adding a fuse, in case the IC is operated over the absolute maximum ratings.

Caution 2: Should by any chance the maximum junction temperature rating be exceeded the rise in temperature of the chip may result in deterioration of the properties of the chip. In case of exceeding this absolute maximum rating, design a PCB with thermal resistance taken into consideration by increasing board size and copper area so as not to exceed the maximum junction temperature rating.

Thermal Resistance (Note 2)

| Parameter | Symbol | Thermal Resistance (Typ) | | Unit |
|---|---------------|--------------------------|---------------|------|
| | | 1s (Note 4) | 2s2p (Note 5) | |
| HVSOF5 | | | | |
| Junction to Ambient | θ_{JA} | 358.2 | 85.3 | °C/W |
| Junction to Top Characterization Parameter (Note 3) | Ψ_{JT} | 39 | 21 | °C/W |

(Note 2) Based on JESD51-2A(Still-Air).

(Note 3) The thermal characterization parameter to report the difference between junction temperature and the temperature at the top center of the outside surface of the component package.

(Note 4) Using a PCB board based on JESD51-3.

(Note 5) Using a PCB board based on JESD51-5, 7.

| Layer Number of Measurement Board | Material | Board Size |
|-----------------------------------|----------|-------------------------------|
| Single | FR-4 | 114.3 mm x 76.2 mm x 1.57 mmt |

| Top | |
|-----------------------|------------|
| Copper Pattern | Thickness |
| Footprints and Traces | 70 μ m |

| Layer Number of Measurement Board | Material | Board Size | Thermal Via (Note 6) | |
|-----------------------------------|----------|------------------------------|----------------------|----------------|
| | | | Pitch | Diameter |
| 4 Layers | FR-4 | 114.3 mm x 76.2 mm x 1.6 mmt | 1.20 mm | Φ 0.30 mm |

| Top | | 2 Internal Layers | | Bottom | |
|-----------------------|------------|-------------------|------------|-------------------|------------|
| Copper Pattern | Thickness | Copper Pattern | Thickness | Copper Pattern | Thickness |
| Footprints and Traces | 70 μ m | 74.2 mm x 74.2 mm | 35 μ m | 74.2 mm x 74.2 mm | 70 μ m |

(Note 6) This thermal via connects with the copper pattern of all layers.

Recommended Operating Conditions

| Parameter | Symbol | Min | Typ | Max | Unit |
|-----------------------|------------------|-----|-----|------|------|
| Power Supply Voltage | V _{DD} | 2.4 | 2.8 | 5.5 | V |
| Operating Temperature | T _{opr} | -30 | - | +100 | °C |

Electrical Characteristics (Unless otherwise specified V_{DD}=2.8 V Ta=25 °C)

| Parameter | Symbol | Min | Typ | Max | Unit | Conditions |
|-----------------------------|-------------------|-----|-----|-----------------|------|--------------------------|
| Supply Current | | | | | | |
| Normal Function Mode | I _{DD} | - | 7.5 | 12.0 | μA | PD="H" |
| Power Down Mode | I _{DDPD} | - | 0.3 | 1.0 | μA | PD="L" |
| PD Input Pin | | | | | | |
| Input L Voltage | V _{IL} | GND | - | 0.2 | V | |
| Input H Voltage | V _{IH} | 1.5 | - | V _{DD} | V | |
| Leakage Current | I _L PD | - | - | 1.0 | μA | PD=2.8 V |
| OS Output Open Drain | | | | | | |
| Leakage Current | I _L | - | - | 1.0 | μA | V _{OS} =5.0 V |
| Output L Voltage | V _{OL} | - | - | 0.4 | V | I _{OS} = 1.0 mA |

Temperature Characteristics (Unless otherwise specified V_{DD}=2.8 V)

| Parameter | Symbol | Min | Typ | Max | Unit | Conditions |
|----------------------------------|------------------|------|------|------|------|------------|
| Thermostat | | | | | | |
| Detection Temperature | T _{DET} | 57.5 | 60.0 | 62.5 | °C | |
| Detection Temperature Hysteresis | T _{HYS} | 7.5 | 10.0 | 12.5 | °C | |

Typical Performance Curves

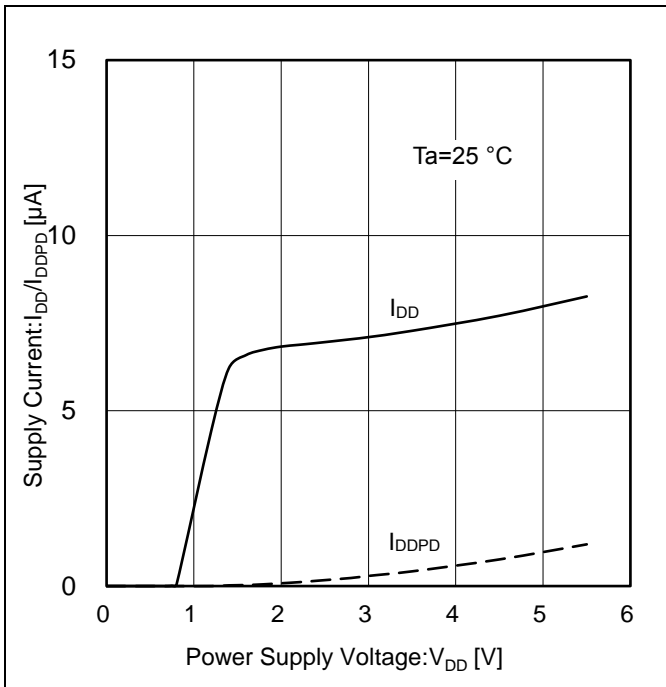


Figure 1. Supply Current vs Power Supply Voltage

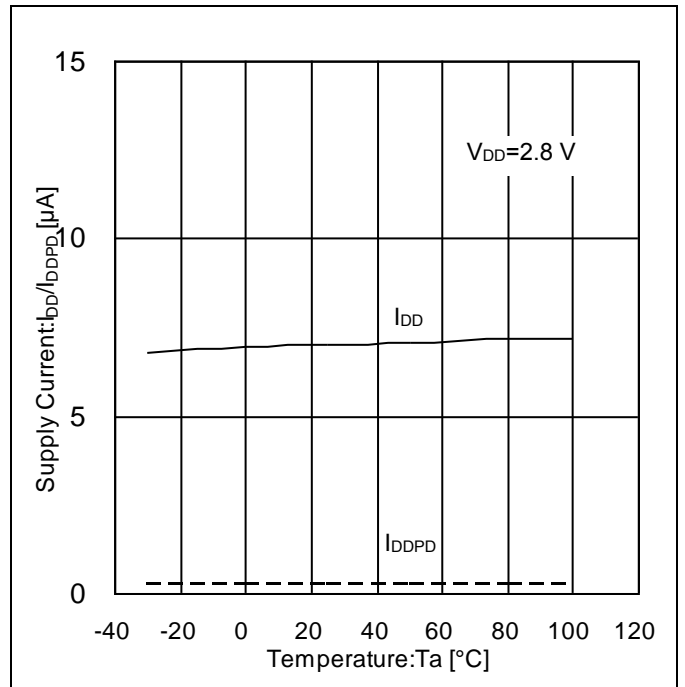
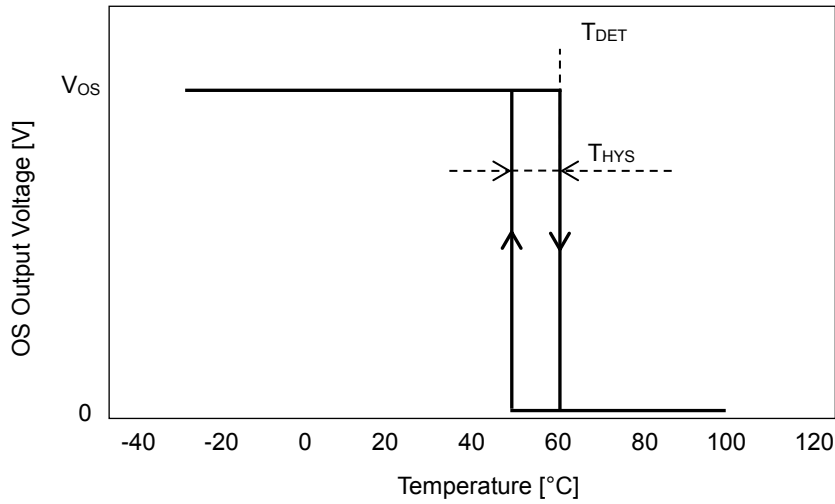


Figure 2. Supply Current vs Temperature

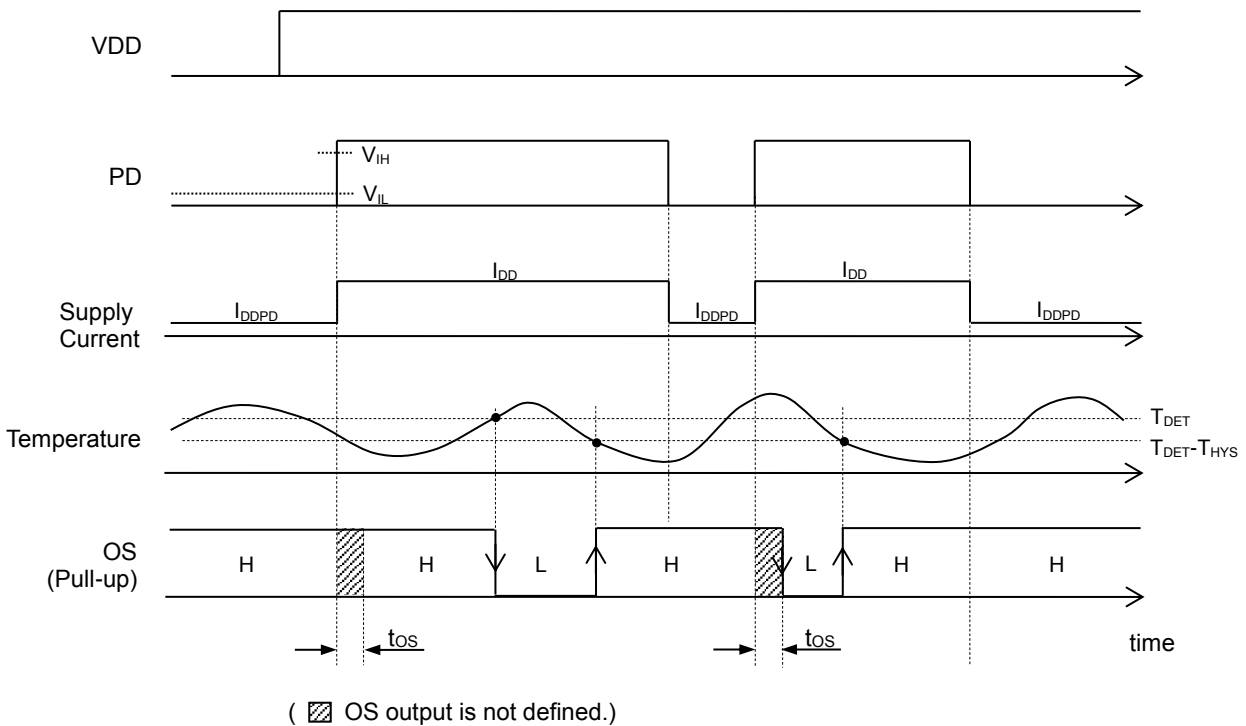
Application Information

1. Function Diagram

If the temperature exceeds the detect point temperature, the internal comparator forces the OS output to change from “H” to “L”. OS output returns to “H”, when the temperature drops hysteresis temperature(T_{HYS}) from detection temperature.



2. Operation Sequence



BDJ0600AHFV operation starts after PD “H” Input. Refer to the OS pin signal table below for the wait time after PD “H” Input. A capacitance connected to TEST pin causes to extend output stabilization time. It should not be connected.

| Symbol | Wait Time |
|-----------------|-----------|
| t _{os} | 10 ms |

I/O Equivalence Circuits

| Pin Name | Equivalent Circuit Diagram | Pin Name | Equivalent Circuit Diagram |
|----------|----------------------------|----------|----------------------------|
| PD | | OS | |
| TEST | | | |

Operational Notes

1. Reverse Connection of Power Supply

Connecting the power supply in reverse polarity can damage the IC. Take precautions against reverse polarity when connecting the power supply, such as mounting an external diode between the power supply and the IC's power supply pins.

2. Power Supply Lines

Design the PCB layout pattern to provide low impedance supply lines. Furthermore, connect a capacitor to ground at all power supply pins. Consider the effect of temperature and aging on the capacitance value when using electrolytic capacitors.

3. Ground Voltage

Ensure that no pins are at a voltage below that of the ground pin at any time, even during transient condition.

4. Ground Wiring Pattern

When using both small-signal and large-current ground traces, the two ground traces should be routed separately but connected to a single ground at the reference point of the application board to avoid fluctuations in the small-signal ground caused by large currents. Also ensure that the ground traces of external components do not cause variations on the ground voltage. The ground lines must be as short and thick as possible to reduce line impedance.

5. Recommended Operating Conditions

The function and operation of the IC are guaranteed within the range specified by the recommended operating conditions. The characteristic values are guaranteed only under the conditions of each item specified by the electrical characteristics.

6. Inrush Current

When power is first supplied to the IC, it is possible that the internal logic may be unstable and inrush current may flow instantaneously due to the internal powering sequence and delays, especially if the IC has more than one power supply. Therefore, give special consideration to power coupling capacitance, power wiring, width of ground wiring, and routing of connections.

7. Operation Under Strong Electromagnetic Field

Operating the IC in the presence of a strong electromagnetic field may cause the IC to malfunction.

8. Testing on Application Boards

When testing the IC on an application board, connecting a capacitor directly to a low-impedance output pin may subject the IC to stress. Always discharge capacitors completely after each process or step. The IC's power supply should always be turned off completely before connecting or removing it from the test setup during the inspection process. To prevent damage from static discharge, ground the IC during assembly and use similar precautions during transport and storage.

9. Inter-pin Short and Mounting Errors

Ensure that the direction and position are correct when mounting the IC on the PCB. Incorrect mounting may result in damaging the IC. Avoid nearby pins being shorted to each other especially to ground, power supply and output pin. Inter-pin shorts could be due to many reasons such as metal particles, water droplets (in very humid environment) and unintentional solder bridge deposited in between pins during assembly to name a few.

10. Unused Input Pins

Input pins of an IC are often connected to the gate of a MOS transistor. The gate has extremely high impedance and extremely low capacitance. If left unconnected, the electric field from the outside can easily charge it. The small charge acquired in this way is enough to produce a significant effect on the conduction through the transistor and cause unexpected operation of the IC. So unless otherwise specified, unused input pins should be connected to the power supply or ground line.

Operational Notes – continued

11. Regarding the Input Pin of the IC

This monolithic IC contains P+ isolation and P substrate layers between adjacent elements in order to keep them isolated. P-N junctions are formed at the intersection of the P layers with the N layers of other elements, creating a parasitic diode or transistor. For example (refer to figure below):

When $GND > Pin A$ and $GND > Pin B$, the P-N junction operates as a parasitic diode.

When $GND > Pin B$, the P-N junction operates as a parasitic transistor.

Parasitic diodes inevitably occur in the structure of the IC. The operation of parasitic diodes can result in mutual interference among circuits, operational faults, or physical damage. Therefore, conditions that cause these diodes to operate, such as applying a voltage lower than the GND voltage to an input pin (and thus to the P substrate) should be avoided.

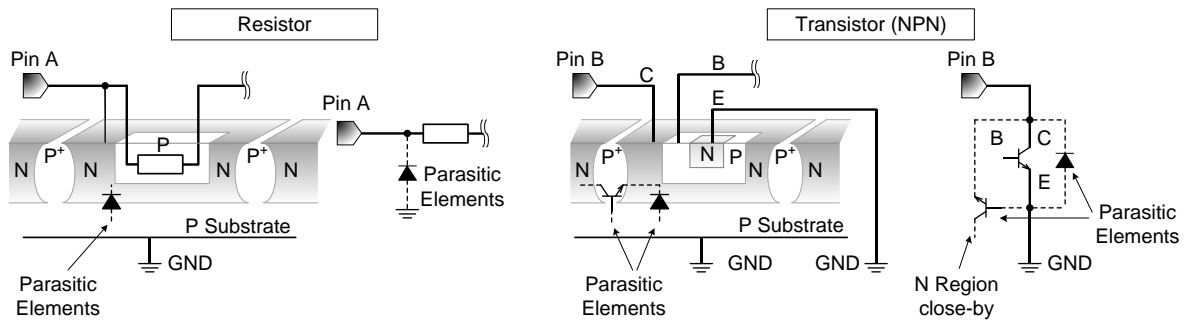


Figure 3. Example of monolithic IC structure

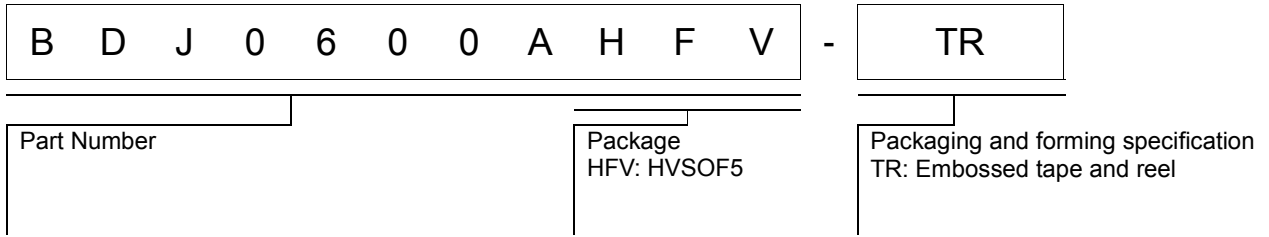
12. Ceramic Capacitor

When using a ceramic capacitor, determine a capacitance value considering the change of capacitance with temperature and the decrease in nominal capacitance due to DC bias and others.

13. Area of Safe Operation (ASO)

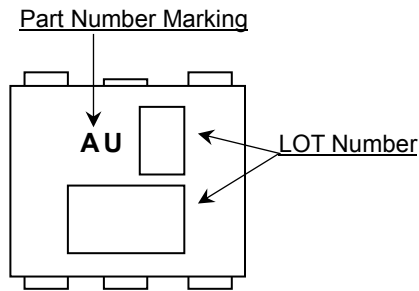
Operate the IC such that the output voltage, output current, and the maximum junction temperature rating are all within the Area of Safe Operation (ASO).

Ordering Information



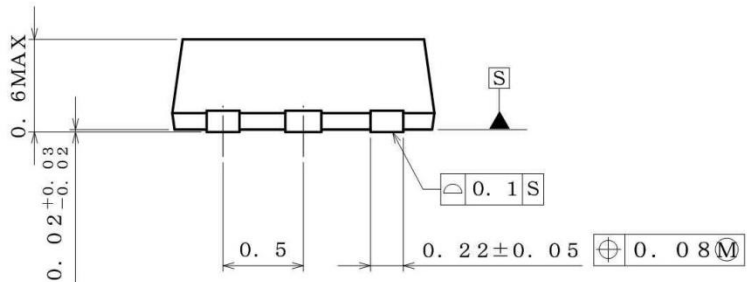
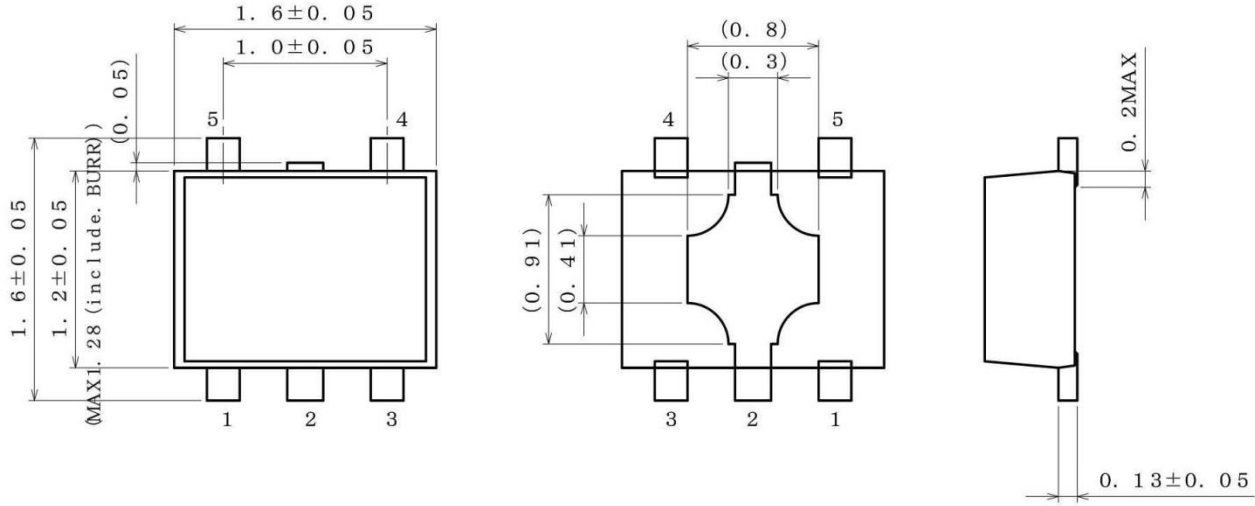
Marking Diagram

HVSO5(TOP VIEW)



Physical Dimension and Packing Information

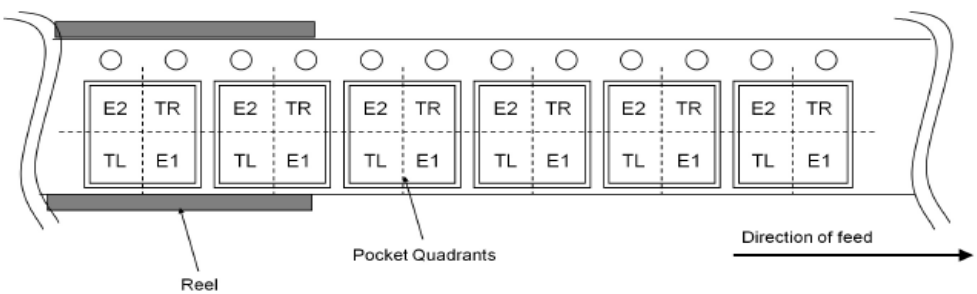
| | |
|--------------|---------|
| Package Name | HVSO5F5 |
|--------------|---------|



(UNIT : mm)
 PKG : HVSO5F5
 Drawing No. EX108-5002

<Tape and Reel information>

| | |
|-------------------|--|
| Tape | Embossed carrier tape |
| Quantity | 3000pcs |
| Direction of feed | TR (The direction is the 1pin of product is at the upper right when you hold reel on the left hand and you pull out the tape on the right hand) |



Revision History

| Date | Revision | Changes |
|-------------|----------|-------------|
| 31.May.2018 | 001 | New Release |

Notice

Precaution on using ROHM Products

- Our Products are designed and manufactured for application in ordinary electronic equipment (such as AV equipment, OA equipment, telecommunication equipment, home electronic appliances, amusement equipment, etc.). If you intend to use our Products in devices requiring extremely high reliability (such as medical equipment ^(Note 1), transport equipment, traffic equipment, aircraft/spacecraft, nuclear power controllers, fuel controllers, car equipment including car accessories, safety devices, etc.) and whose malfunction or failure may cause loss of human life, bodily injury or serious damage to property ("Specific Applications"), please consult with the ROHM sales representative in advance. Unless otherwise agreed in writing by ROHM in advance, ROHM shall not be in any way responsible or liable for any damages, expenses or losses incurred by you or third parties arising from the use of any ROHM's Products for Specific Applications.

(Note1) Medical Equipment Classification of the Specific Applications

| JAPAN | USA | EU | CHINA |
|-----------|-----------|------------|-----------|
| CLASS III | CLASS III | CLASS II b | CLASS III |
| CLASS IV | | CLASS III | |

- ROHM designs and manufactures its Products subject to strict quality control system. However, semiconductor products can fail or malfunction at a certain rate. Please be sure to implement, at your own responsibilities, adequate safety measures including but not limited to fail-safe design against the physical injury, damage to any property, which a failure or malfunction of our Products may cause. The following are examples of safety measures:
 - Installation of protection circuits or other protective devices to improve system safety
 - Installation of redundant circuits to reduce the impact of single or multiple circuit failure
- Our Products are designed and manufactured for use under standard conditions and not under any special or extraordinary environments or conditions, as exemplified below. Accordingly, ROHM shall not be in any way responsible or liable for any damages, expenses or losses arising from the use of any ROHM's Products under any special or extraordinary environments or conditions. If you intend to use our Products under any special or extraordinary environments or conditions (as exemplified below), your independent verification and confirmation of product performance, reliability, etc. prior to use, must be necessary:
 - Use of our Products in any types of liquid, including water, oils, chemicals, and organic solvents
 - Use of our Products outdoors or in places where the Products are exposed to direct sunlight or dust
 - Use of our Products in places where the Products are exposed to sea wind or corrosive gases, including Cl₂, H₂S, NH₃, SO₂, and NO₂
 - Use of our Products in places where the Products are exposed to static electricity or electromagnetic waves
 - Use of our Products in proximity to heat-producing components, plastic cords, or other flammable items
 - Sealing or coating our Products with resin or other coating materials
 - Use of our Products without cleaning residue of flux (even if you use no-clean type fluxes, cleaning residue of flux is recommended); or Washing our Products by using water or water-soluble cleaning agents for cleaning residue after soldering
 - Use of the Products in places subject to dew condensation
- The Products are not subject to radiation-proof design.
- Please verify and confirm characteristics of the final or mounted products in using the Products.
- In particular, if a transient load (a large amount of load applied in a short period of time, such as pulse. is applied, confirmation of performance characteristics after on-board mounting is strongly recommended. Avoid applying power exceeding normal rated power; exceeding the power rating under steady-state loading condition may negatively affect product performance and reliability.
- De-rate Power Dissipation depending on ambient temperature. When used in sealed area, confirm that it is the use in the range that does not exceed the maximum junction temperature.
- Confirm that operation temperature is within the specified range described in the product specification.
- ROHM shall not be in any way responsible or liable for failure induced under deviant condition from what is defined in this document.

Precaution for Mounting / Circuit board design

- When a highly active halogenous (chlorine, bromine, etc.) flux is used, the residue of flux may negatively affect product performance and reliability.
- In principle, the reflow soldering method must be used on a surface-mount products, the flow soldering method must be used on a through hole mount products. If the flow soldering method is preferred on a surface-mount products, please consult with the ROHM representative in advance.

For details, please refer to ROHM Mounting specification

Precautions Regarding Application Examples and External Circuits

1. If change is made to the constant of an external circuit, please allow a sufficient margin considering variations of the characteristics of the Products and external components, including transient characteristics, as well as static characteristics.
2. You agree that application notes, reference designs, and associated data and information contained in this document are presented only as guidance for Products use. Therefore, in case you use such information, you are solely responsible for it and you must exercise your own independent verification and judgment in the use of such information contained in this document. ROHM shall not be in any way responsible or liable for any damages, expenses or losses incurred by you or third parties arising from the use of such information.

Precaution for Electrostatic

This Product is electrostatic sensitive product, which may be damaged due to electrostatic discharge. Please take proper caution in your manufacturing process and storage so that voltage exceeding the Products maximum rating will not be applied to Products. Please take special care under dry condition (e.g. Grounding of human body / equipment / solder iron, isolation from charged objects, setting of Ionizer, friction prevention and temperature / humidity control).

Precaution for Storage / Transportation

1. Product performance and soldered connections may deteriorate if the Products are stored in the places where:
 - [a] the Products are exposed to sea winds or corrosive gases, including Cl₂, H₂S, NH₃, SO₂, and NO₂
 - [b] the temperature or humidity exceeds those recommended by ROHM
 - [c] the Products are exposed to direct sunshine or condensation
 - [d] the Products are exposed to high Electrostatic
2. Even under ROHM recommended storage condition, solderability of products out of recommended storage time period may be degraded. It is strongly recommended to confirm solderability before using Products of which storage time is exceeding the recommended storage time period.
3. Store / transport cartons in the correct direction, which is indicated on a carton with a symbol. Otherwise bent leads may occur due to excessive stress applied when dropping of a carton.
4. Use Products within the specified time after opening a humidity barrier bag. Baking is required before using Products of which storage time is exceeding the recommended storage time period.

Precaution for Product Label

A two-dimensional barcode printed on ROHM Products label is for ROHM's internal use only.

Precaution for Disposition

When disposing Products please dispose them properly using an authorized industry waste company.

Precaution for Foreign Exchange and Foreign Trade act

Since concerned goods might be fallen under listed items of export control prescribed by Foreign exchange and Foreign trade act, please consult with ROHM in case of export.

Precaution Regarding Intellectual Property Rights

1. All information and data including but not limited to application example contained in this document is for reference only. ROHM does not warrant that foregoing information or data will not infringe any intellectual property rights or any other rights of any third party regarding such information or data.
2. ROHM shall not have any obligations where the claims, actions or demands arising from the combination of the Products with other articles such as components, circuits, systems or external equipment (including software).
3. No license, expressly or implied, is granted hereby under any intellectual property rights or other rights of ROHM or any third parties with respect to the Products or the information contained in this document. Provided, however, that ROHM will not assert its intellectual property rights or other rights against you or your customers to the extent necessary to manufacture or sell products containing the Products, subject to the terms and conditions herein.

Other Precaution

1. This document may not be reprinted or reproduced, in whole or in part, without prior written consent of ROHM.
2. The Products may not be disassembled, converted, modified, reproduced or otherwise changed without prior written consent of ROHM.
3. In no event shall you use in any way whatsoever the Products and the related technical information contained in the Products or this document for any military purposes, including but not limited to, the development of mass-destruction weapons.
4. The proper names of companies or products described in this document are trademarks or registered trademarks of ROHM, its affiliated companies or third parties.

General Precaution

1. Before you use our Products, you are requested to carefully read this document and fully understand its contents. ROHM shall not be in any way responsible or liable for failure, malfunction or accident arising from the use of any ROHM's Products against warning, caution or note contained in this document.
2. All information contained in this document is current as of the issuing date and subject to change without any prior notice. Before purchasing or using ROHM's Products, please confirm the latest information with a ROHM sales representative.
3. The information contained in this document is provided on an "as is" basis and ROHM does not warrant that all information contained in this document is accurate and/or error-free. ROHM shall not be in any way responsible or liable for any damages, expenses or losses incurred by you or third parties resulting from inaccuracy or errors of or concerning such information.



BDJ0600AHFV - Web Page

[Distribution Inventory](#)

| | |
|-----------------------------|-------------|
| Part Number | BDJ0600AHFV |
| Package | HVSOF5 |
| Unit Quantity | 3000 |
| Minimum Package Quantity | 3000 |
| Packing Type | Taping |
| Constitution Materials List | inquiry |
| RoHS | Yes |

单击下面可查看定价，库存，交付和生命周期等信息

[>>ROHM Semiconductor \(罗姆\)](#)