

MXG 系列
SERIES

105°C 标准品
105°C Standard

·105°C 3000小时品。
Load Life : 105°C 3000 hours.

RoHS
compliance



规格表 / SPECIFICATIONS

项目 Items	特性 Characteristics																						
工作温度范围 Category Temperature Range	-40~+105°C	-25~+105°C																					
额定电压范围 Rated Voltage Range	10~250Vdc	315~500Vdc																					
静电容量允许差 Capacitance Tolerance	±20% (20°C, 120Hz)																						
漏电流 Leakage Current(MAX)	$I=3\sqrt{CV}$ (施加额定电压5分钟后) $I=3\sqrt{CV}$ (After 5 minutes application of rated voltage) I=漏电流(µA) Leakage Current C=静电容量(µF) Capacitance V=额定电压(Vdc) Rated Voltage																						
损失角正切值(tanδ) Dissipation Factor(MAX)	<table border="1"> <thead> <tr> <th>额定电压(Vdc) Rated Voltage</th> <th>10</th> <th>16</th> <th>25</th> <th>35</th> <th>50</th> <th>63</th> <th>80~100</th> <th>160~450</th> <th>500</th> <th rowspan="2">(20°C, 120Hz)</th> </tr> </thead> <tbody> <tr> <td>tanδ</td> <td>0.55</td> <td>0.50</td> <td>0.45</td> <td>0.40</td> <td>0.35</td> <td>0.30</td> <td>0.25</td> <td>0.20</td> <td>0.25</td> </tr> </tbody> </table>		额定电压(Vdc) Rated Voltage	10	16	25	35	50	63	80~100	160~450	500	(20°C, 120Hz)	tanδ	0.55	0.50	0.45	0.40	0.35	0.30	0.25	0.20	0.25
额定电压(Vdc) Rated Voltage	10	16	25	35	50	63	80~100	160~450	500	(20°C, 120Hz)													
tanδ	0.55	0.50	0.45	0.40	0.35	0.30	0.25	0.20	0.25														
耐久性 Endurance	在105°C环境中, 不超过额定电压的范围内叠加额定纹波电流, 连续加载3000小时后, 满足以下各项要求。 After applying rated voltage with rated ripple current for 3000 hours at 105°C, the capacitors shall meet the following requirements.																						
	静电容量变化率 Capacitance Change	初期值的±20%以内 Within ±20% of the initial value.																					
	损失角正切值 Dissipation Factor	规格值的200%以下 Not more than 200% of the specified value.																					
	漏电流 Leakage Current	规格值以下 Not more than the specified value.																					
低温特性 Low Temperature Stability (阻抗比) Impedance Ratio(MAX)	<table border="1"> <thead> <tr> <th>额定电压(Vdc) Rated Voltage</th> <th>10~100</th> <th>160~250</th> <th>315~450</th> <th>500</th> <th rowspan="3">(120Hz)</th> </tr> </thead> <tbody> <tr> <td>Z(-25°C)/Z(20°C)</td> <td>3</td> <td>4</td> <td>8</td> <td>12</td> </tr> <tr> <td>Z(-40°C)/Z(20°C)</td> <td>12</td> <td>15</td> <td>-</td> <td>-</td> </tr> </tbody> </table>		额定电压(Vdc) Rated Voltage	10~100	160~250	315~450	500	(120Hz)	Z(-25°C)/Z(20°C)	3	4	8	12	Z(-40°C)/Z(20°C)	12	15	-	-					
额定电压(Vdc) Rated Voltage	10~100	160~250	315~450	500	(120Hz)																		
Z(-25°C)/Z(20°C)	3	4	8	12																			
Z(-40°C)/Z(20°C)	12	15	-	-																			

纹波电流修正系数 / MULTIPLIER FOR RIPPLE CURRENT

频率(Hz) Frequency	60(50)	120(100)	300	500	1k	10k≤
10~100Vdc	0.90	1.00	1.03	1.05	1.10	1.15
160~250Vdc	0.80	1.00	1.15	1.20	1.30	1.50
315~500Vdc	0.80	1.00	1.15	1.20	1.25	1.40

副记号 / OPTION

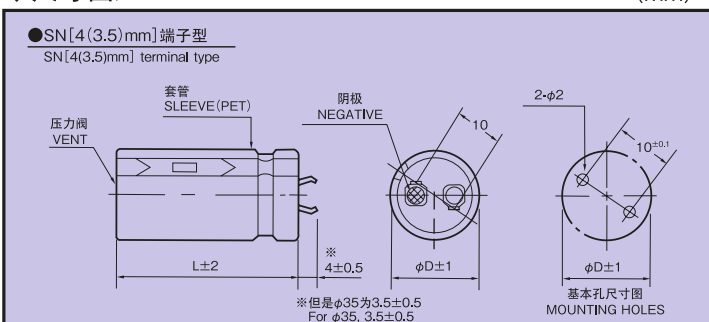
副记号	记号 Code
PET套管, 无底板 PET Sleeve without plate	EFC

产品型号体系 / PART NUMBER

□□□	MXG	□□□□□	M	□□□	SN	D×L
额定电压 Rated Voltage	系列名称 Series	静电容量 Capacitance	静电容量允许差 Capacitance Tolerance	副记号 Option	端子记号 Terminal Code	铝壳尺寸 Case Size

尺寸图 / DIMENSIONS

(mm)



◆标准品一览表 / STANDARD SIZE

Cap (μ F)	Vdc ϕ D	10					16				
		ϕ 20	ϕ 22	ϕ 25	ϕ 30	ϕ 35	ϕ 20	ϕ 22	ϕ 25	ϕ 30	ϕ 35
6800		20x25:1.31					20x25:1.80				
8200		20x30:1.59					20x30:2.08	22x25:2.08			
10000		20x30:1.88	22x25:1.77				20x35:2.15	22x30:2.15			
12000		20x35:2.18	22x30:2.10	25x25:1.94			20x40:2.31	22x30:2.31	25x25:2.31		
15000		20x40:2.27	22x35:2.23	25x30:2.10				22x35:2.68	25x30:2.68		
18000			22x40:2.41	25x30:2.34	30x25:2.25			22x40:3.20	25x30:3.20	30x25:3.20	
22000			22x45:2.58	25x35:2.54	30x30:2.50			22x45:3.36	25x35:3.36	30x30:3.36	
27000			22x50:3.17	25x40:3.07	30x30:2.95			22x50:3.85	25x40:3.85	30x30:3.85	
33000				25x45:3.39	30x35:3.33	35x30:3.21			25x45:4.30	30x35:4.30	35x30:4.30
39000					30x40:3.70	35x35:3.68			25x50:4.81	30x40:4.81	35x35:4.81
47000					30x45:4.22	35x40:4.16				30x45:5.53	35x40:5.53
56000						35x45:5.00				30x50:6.00	35x45:6.00
68000											35x50:6.40

Cap (μ F)	Vdc ϕ D	25					35				
		ϕ 20	ϕ 22	ϕ 25	ϕ 30	ϕ 35	ϕ 20	ϕ 22	ϕ 25	ϕ 30	ϕ 35
2700							20x25:1.29				
3300							20x30:1.57				
3900							20x30:1.78	22x25:1.78			
4700		20x25:1.65					20x35:2.02	22x30:2.02			
5600		20x30:1.85	22x25:1.85				20x40:2.13	22x35:2.13	25x25:2.13		
6800		20x35:2.11	22x30:2.11					22x40:2.41	25x30:2.41		
8200		20x40:2.34	22x30:2.34	25x25:2.34				22x45:2.85	25x35:2.85	30x25:2.85	
10000			22x35:2.65	25x30:2.65				22x50:3.05	25x40:3.05	30x30:3.05	
12000			22x40:2.81	25x30:2.81	30x25:2.81				25x45:3.37	30x35:3.37	35x30:3.37
15000			22x45:3.13	25x35:3.13	30x30:3.13				25x50:3.72	30x40:3.72	35x35:3.72
18000				25x40:3.56	30x30:3.56					30x45:4.37	35x35:4.37
22000				25x50:4.04	30x35:4.04	35x30:4.04				30x50:4.92	35x40:4.92
27000					30x40:4.74	35x35:4.74					35x50:5.30
33000					30x50:5.50	35x40:5.50					
39000						35x45:5.80					
47000						35x50:6.30					

Cap (μ F)	Vdc ϕ D	50					63				
		ϕ 20	ϕ 22	ϕ 25	ϕ 30	ϕ 35	ϕ 20	ϕ 22	ϕ 25	ϕ 30	ϕ 35
1500							20x25:1.47				
1800							20x30:1.58				
2200		20x25:1.60					20x35:1.82				
2700		20x30:1.73	22x25:1.73					22x30:2.11	25x25:2.11		
3300		20x35:1.97	22x30:1.97					22x35:2.33	25x30:2.33		
3900		20x40:2.22	22x35:2.22	25x25:2.22				22x40:2.55	25x30:2.55	30x25:2.55	
4700		20x45:2.43	22x40:2.43	25x30:2.43				22x45:2.97	25x35:2.97	30x30:2.97	
5600			22x45:2.75	25x35:2.75	30x25:2.75				25x40:3.22	30x30:3.22	35x25:3.22
6800			22x50:3.30	25x40:3.30	30x30:3.30	35x25:3.30			25x45:3.65	30x35:3.65	35x30:3.65
8200				25x45:3.60	30x35:3.60	35x30:3.60				30x40:4.04	35x35:4.04
10000				25x50:4.05	30x40:4.05	35x30:4.05				30x45:4.48	35x40:4.48
12000					30x45:4.56	35x35:4.56					35x45:4.75
15000					30x50:4.77	35x40:4.77					35x50:5.25

Cap (μ F)	Vdc ϕ D	80					100				
		ϕ 20	ϕ 22	ϕ 25	ϕ 30	ϕ 35	ϕ 20	ϕ 22	ϕ 25	ϕ 30	ϕ 35
680							20x25:1.15				
820							20x30:1.32	22x25:1.32			
1000		20x25:1.24					20x30:1.47	22x30:1.47			
1200		20x30:1.44	22x25:1.44				20x35:1.69	22x30:1.69	25x25:1.69		
1500		20x30:1.59	22x30:1.59					22x35:1.98	25x30:1.98		
1800		20x35:1.79	22x30:1.79	25x25:1.79				22x40:2.23	25x35:2.23	30x25:2.23	
2200		20x40:2.03	22x35:2.03	25x30:2.03					25x40:2.55	30x30:2.55	35x25:2.55
2700			22x40:2.39	25x35:2.39	30x25:2.39				25x45:2.89	30x35:2.89	35x30:2.89
3300			22x50:2.64	25x40:2.64	30x30:2.64	35x25:2.64			25x50:3.30	30x40:3.30	35x35:3.30
3900				25x45:2.97	30x30:2.97	35x30:2.97				30x45:3.67	35x35:3.67
4700				25x50:3.38	30x35:3.38	35x30:3.38				30x50:3.80	35x40:3.80
5600					30x40:3.80	35x35:3.80					35x45:4.05
6800					30x50:4.10	35x40:4.10					
8200						35x45:4.30					

纹波电流 Ripple Current (A r.m.s./120Hz, 105°C)
铝壳尺寸 Case Size ϕ D×L(mm)

◆标准品一览表 / STANDARD SIZE

Cap (μ F)	Vdc																				
	ϕ 20		ϕ 22	160			ϕ 20	ϕ 22	180	ϕ 30	ϕ 35										
	ϕ D		ϕ 25	ϕ 30	ϕ 35			ϕ 25													
330	20x25	1.32				20x25	1.32														
390	20x25	1.39				20x30	1.53	22x25	1.43												
470	20x30	1.62	22x25	1.51		20x35	1.75	22x30	1.67												
560	20x35	1.85	22x30	1.75		20x40	1.98	22x30	1.75	25x25	1.59										
680	20x40	2.09	22x30	1.83	25x25	1.70	20x45	2.22	22x35	2.01	25x30	1.86									
820	20x50	2.47	22x35	2.10	25x30	2.00			22x40	2.27	25x35	2.14	30x25	2.00							
1000			22x40	2.37	25x35	2.20	30x25	2.20		22x50	2.68	25x40	2.40	30x30	2.20	35x25	2.20				
1200			22x55	2.98	25x40	2.50	30x30	2.30	35x25	2.30		22x60	3.09	25x45	2.67	30x35	2.30	35x30	2.30		
1500					25x45	2.80	30x35	2.50	35x30	2.50				25x50	2.99	30x40	2.54	35x30	2.50		
1800					25x60	3.43	30x40	2.70	35x35	2.70						30x45	2.79	35x35	2.70		
2200							30x45	2.90	35x40	2.90						30x50	3.12	35x40	2.90		
2700							30x60	3.58	35x45	3.10							35x50	3.10			
3300									35x55	3.24								35x60	3.44		

Cap (μ F)	Vdc																			
	ϕ 20		ϕ 22	200			ϕ 20	ϕ 22	220											
	ϕ D		ϕ 25	ϕ 30	ϕ 35			ϕ 25	ϕ 30	ϕ 35										
220						20x25	1.17													
270	20x25	1.25				20x30	1.36	22x25	1.29											
330	20x30	1.46	22x25	1.37		20x30	1.46	22x25	1.37											
390	20x30	1.54	22x25	1.44		20x35	1.66	22x30	1.58	25x25	1.46									
470	20x35	1.76	22x30	1.67	25x25	1.53	20x40	1.87	22x35	1.81	25x25	1.53								
560	20x40	1.98	22x35	1.90	25x25	1.60	20x45	2.09	22x40	2.04	25x30	1.79	30x25	1.61						
680	20x50	2.34	22x40	2.15	25x30	1.85	30x25	1.75	22x45	2.29	25x35	2.05	30x25	1.78						
820			22x45	2.41	25x35	2.12	30x25	2.04		22x50	2.54	25x40	2.31	30x30	1.93	35x25	1.93			
1000			22x55	2.84	25x45	2.58	30x30	2.30				25x50	2.72	30x35	2.33	35x30	2.33			
1200					25x50	2.84	30x35	2.65	35x30	2.65		25x55	2.96	30x40	2.50	35x35	2.50			
1500					25x60	3.28	30x45	2.80	35x35	2.80				30x50	2.92	35x40	2.76			
1800							30x50	3.08	35x40	3.08				30x60	3.38	35x45	3.11			
2200							30x60	3.45	35x45	3.48						35x55	3.67			
2700									35x55	4.05										

Cap (μ F)	Vdc																		
	ϕ 20		ϕ 22	250			ϕ 20	ϕ 22	315										
	ϕ D		ϕ 25	ϕ 30	ϕ 35			ϕ 25	ϕ 30	ϕ 35									
120						20x25	0.86												
150						20x30	1.00	22x25	0.98										
180						20x35	1.14	22x30	1.13										
220	20x25	1.17				20x40	1.30	22x30	1.22	25x25	1.17								
270	20x30	1.36	22x25	1.30		20x45	1.48	22x35	1.40	25x30	1.37								
330	20x35	1.57	22x30	1.51	25x25	1.41	20x50	1.67	22x40	1.59	25x35	1.56	30x25	1.38					
390	20x40	1.76	22x35	1.71	25x25	1.47			22x50	1.84	25x35	1.65	30x30	1.60	35x25	1.44			
470	20x45	1.98	22x40	1.94	25x30	1.71	30x25	1.57		22x55	2.05	25x45	1.96	30x35	1.83	35x30	1.71		
560			22x45	2.16	25x35	1.95	30x25	1.60				25x50	2.17	30x35	1.89	35x30	1.72		
680			22x50	2.40	25x40	2.20	30x30	1.87	35x25	1.70		25x55	2.41	30x40	2.12	35x35	1.98		
820			22x60	2.77	25x45	2.45	30x35	2.14	35x30	2.00				30x50	2.51	35x40	2.22		
1000					25x55	2.87	30x40	2.40	35x35	2.20				30x55	2.75	35x45	2.45		
1200							30x45	2.65	35x35	2.30						35x50	2.67		
1500							30x55	3.12	35x45	2.67						35x60	3.08		
1800									35x50	2.89									
2200									35x60	3.32									

Cap (μ F)	Vdc																			
	ϕ 20		ϕ 22	350			ϕ 20	ϕ 22	385											
	ϕ D		ϕ 25	ϕ 30	ϕ 35			ϕ 25	ϕ 30	ϕ 35										
100	20x25	0.81				20x25	0.81													
120	20x30	0.93	22x25	0.91		20x30	0.94	22x25	0.91											
150	20x35	1.08	22x30	1.06		20x35	1.08	22x30	1.07											
180	20x40	1.22	22x30	1.14	25x25	1.10	20x40	1.22	22x35	1.21	25x25	1.11								
220	20x45	1.38	22x35	1.31	25x30	1.28	20x45	1.39	22x40	1.38	25x30	1.29	30x25	1.25						
270	20x50	1.56	22x45	1.55	25x35	1.47	30x25	1.31		22x45	1.56	25x35	1.47	30x30	1.46					
330			22x50	1.75	25x40	1.67	30x30	1.53	35x25	1.39		22x55	1.81	25x40	1.67	30x30	1.53	35x25	1.37	
390			22x55	1.93	25x45	1.86	30x35	1.74	35x30	1.63		22x60	2.00	25x50	1.94	30x35	1.73	35x30	1.62	
470					25x50	2.06	30x40	1.96	35x30	1.66				25x55	2.15	30x40	1.94	35x35	1.84	
560					25x55	2.27	30x45	2.17	35x35	1.90						30x45	2.15	35x40	2.07	
680							30x50	2.40	35x40	2.13						30x55	2.51	35x45	2.29	
820							30x55	2.62	35x45	2.36								35x50	2.50	
1000									35x55	2.77								35x60	2.89	
1200									35x60	2.97										

纹波电流 Ripple Current (A r.m.s./120Hz, 105°C)
铝壳尺寸 Case Size ϕ D×L(mm)

◆标准品一览表 / STANDARD SIZE

Cap (μF)	Vdc ϕD		400				420				
	$\phi 20$	$\phi 22$	$\phi 25$	$\phi 30$	$\phi 35$	$\phi 20$	$\phi 22$	$\phi 25$	$\phi 30$	$\phi 35$	
68	20x25:0.69					20x25:0.69					
82	20x25:0.75	22x25:0.78				20x25:0.75	22x25:0.78				
100	20x30:0.87	22x25:0.85				20x30:0.86	22x25:0.85	25x25:0.88			
120	20x35:0.99	22x30:0.97	25x25:0.96			20x35:0.98	22x30:0.97	25x25:0.95			
150	20x40:1.13	22x35:1.13	25x25:1.04			20x40:1.13	22x35:1.12	25x30:1.11	30x25:1.10		
180	20x40:1.23	22x35:1.22	25x30:1.20	30x25:1.18		20x45:1.27	22x40:1.27	25x30:1.19	30x25:1.16		
220	20x50:1.44	22x45:1.44	25x35:1.37	30x25:1.25			22x45:1.43	25x35:1.36	30x30:1.35	35x25:1.27	
270		22x50:1.62	25x40:1.56	30x30:1.45	35x25:1.34		22x50:1.62	25x40:1.55	30x30:1.43	35x25:1.30	
330		22x55:1.82	25x45:1.76	30x35:1.66	35x30:1.57		22x60:1.86	25x50:1.74	30x35:1.64	35x30:1.54	
390			25x50:1.94	30x40:1.86	35x30:1.60			25x55:2.00	30x40:1.83	35x35:1.75	
470			25x55:2.15	30x45:2.07	35x35:1.83			25x60:2.21	30x45:2.04	35x40:1.97	
560				30x50:2.28	35x40:2.05				30x55:2.35	35x45:2.18	
680				30x55:2.50	35x45:2.27				30x60:2.57	35x50:2.39	
820					35x55:2.65					35x55:2.59	

Cap (μF)	Vdc ϕD		450			500				
	$\phi 20$	$\phi 22$	$\phi 25$	$\phi 30$	$\phi 35$	$\phi 20$	$\phi 22$	$\phi 25$	$\phi 30$	$\phi 35$
39						20x25:0.51				
47						20x30:0.59	22x25:0.58			
56	20x25:0.63					20x35:0.67	22x30:0.66			
68	20x25:0.69	22x25:0.72				20x40:0.76	22x30:0.73	25x25:0.72		
82	20x30:0.80	22x25:0.78				20x45:0.85	22x35:0.83	25x30:0.83	30x25:0.83	
100	20x35:0.91	22x30:0.90	25x25:0.89				22x40:0.94	25x35:0.94	30x25:0.91	
120	20x35:0.99	22x30:0.98	25x25:0.95				22x50:1.08	25x35:1.02	30x30:1.04	35x25:1.01
150	20x45:1.18	22x35:1.13	25x30:1.11	30x25:1.10			22x55:1.24	25x45:1.21	30x35:1.19	35x30:1.18
180		22x40:1.27	25x35:1.27	30x25:1.16			22x60:1.38	25x50:1.36	30x40:1.34	35x30:1.25
220		22x50:1.49	25x40:1.44	30x30:1.35	35x25:1.26			25x55:1.52	30x45:1.51	35x40:1.51
270		22x55:1.68	25x45:1.62	30x35:1.55	35x30:1.48				30x50:1.69	35x40:1.62
330			25x50:1.82	30x40:1.75	35x30:1.52				30x55:1.89	35x45:1.81
390			25x60:2.07	30x45:1.93	35x35:1.74					35x55:2.08
470				30x50:2.14	35x40:1.95					35x60:2.28
560				30x55:2.34	35x45:2.16					
680					35x55:2.51					
820					35x60:2.71					

↑ 纹波电流 Ripple Current (A r.m.s./120Hz, 105°C)

铝壳尺寸 Case Size $\phi\text{D}\times\text{L}(\text{mm})$

单击下面可查看定价，库存，交付和生命周期等信息

[>>Rubycon\(红宝石\)](#)