

# Supply Voltage Supervisor with Reset Circuits

## FEATURES

- **Operating Voltage Range: 1.0V to 5.5V**
- **Low Power Consumption: 40µA (Max)**
- **Precision Supply-Voltage Monitor: 2.63V, 2.93V, 3.08V, 4.00V, 4.65V**
- **Guaranteed  $\overline{\text{RESET}}$  Valid at  $V_{CC} = 1.0V$**
- **200ms Reset Pulse Width**
- **Voltage Monitor for Power-Fail or Low-Battery Warning**
- **Operating Temperature Range: -40°C to +125°C**
- **Push-pull,  $\overline{\text{RESET}}$  Output**
- **Available in Green Package: SOT23**
- 

## APPLICATIONS

- **Computers**
- **SOC , DSP or Micro controllers**
- **Embedded Systems**
- **Industrial Equipment**
- **Intelligent Instruments**
- **Critical µP Power Monitoring**
- **Wireless Communications Systems**

## DESCRIPTION

The RS809 microprocessor (µP) supervisory circuits reduce the complexity and number of components required to monitor power-supply and battery function in µP systems. This device significantly improves system reliability and accuracy compared to separate ICs or discrete components.

These circuits perform a single function: they assert a reset signal whenever the  $V_{CC}$  supply voltage declines below a preset threshold, keeping it asserted for at least 200ms after  $V_{CC}$  has risen above the reset threshold. Reset thresholds suitable for operation with a variety of supply voltages are available.

The RS809 have push-pull outputs. The RS809 have an active-low  $\overline{\text{RESET}}$  output. The reset comparator is designed to ignore fast transients on  $V_{CC}$ , and the outputs are guaranteed to be in the correct logic state for  $V_{CC}$  down to 1.0V.

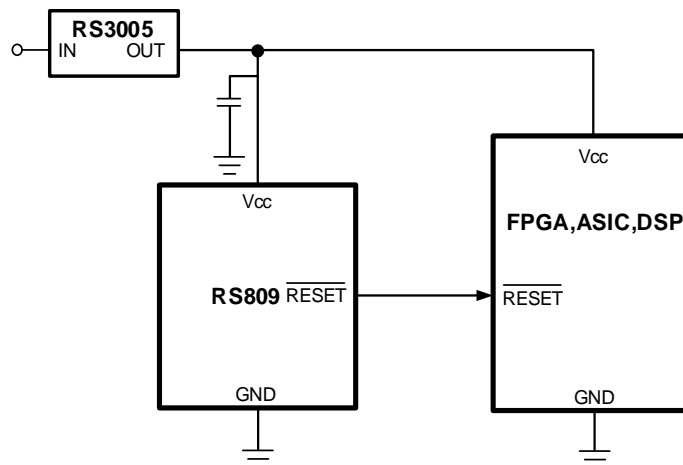
Low supply current makes the RS809 ideal for use in portable equipment. The RS809 is available in Green SOT23 package. It operates over an ambient temperature range of -40°C to +125°C.

### Device Information (1)

PART NUMBER	PACKAGE	BODY SIZE (NOM)
RS809	SOT23(3)	1.30mmx2.92mm

(1) For all available packages, see the orderable addendum at the end of the data sheet.

## TYPICAL APPLICATION

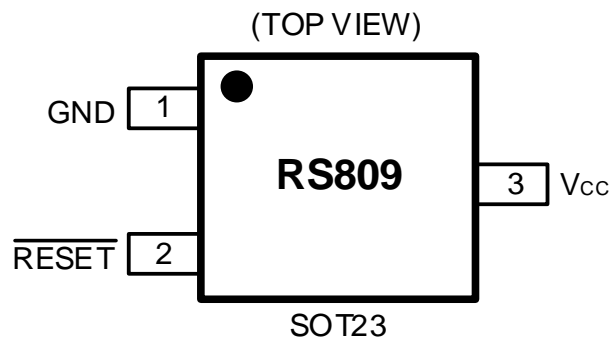


## Revision History

Note: Page numbers for previous revisions may differ from page numbers in the current version.

Version	Change Date	Change Item
A.1	2021/08/09	Initial version completed
A.2	2022/05/09	1. Update PACKAGE MARKING on Page 5@RevA.1 2. Update Operating Temperature Range :-40°C to +125°C
A.3	2022/05/10	Update TYPICAL OPERATING CHARACTERISTICS

## PIN CONFIGURATIONS



## PIN DESCRIPTION

PIN	NAME	FUNCTION
SOT23		
1	GND	Ground, reference for all signals.
2	$\overline{\text{RESET}}$	Active-Low Reset Output remains low while $V_{CC}$ is below the reset threshold, and for at least 200ms after $V_{CC}$ rises above the reset threshold.
3	$V_{CC}$	Power Supply Voltage that is monitored.

## SPECIFICATIONS

### Absolute Maximum Ratings <sup>(1)</sup>

over operating free-air temperature range (unless otherwise noted) <sup>(1)(2)</sup>

		MIN	MAX	UNIT
V <sub>CC</sub>	Supply voltage range	-0.5	6.0	V
V <sub>I</sub>	Input voltage range <sup>(2)</sup>	-0.5	6.0	V
V <sub>O</sub>	Voltage range applied to any output in the high-impedance or power-off state <sup>(2)</sup>	-0.5	6.0	V
V <sub>O</sub>	Voltage range applied to any output in the high or low state <sup>(2)(3)</sup>	-0.5	V <sub>CC</sub> +0.5	V
I <sub>IK</sub>	Input clamp current	V <sub>I</sub> <0	-20	mA
I <sub>OK</sub>	Output clamp current	V <sub>O</sub> <0	-20	mA
I <sub>O</sub>	Continuous output current		±20	mA
	Continuous current through V <sub>CC</sub> or GND		±20	mA
T <sub>J</sub>	Junction temperature	-65	150	°C
T <sub>stg</sub>	Storage temperature	-65	150	°C
T <sub>A</sub>	Operating temperature	-40	125	°C

(1) Stresses beyond those listed under *Absolute Maximum Ratings* may cause permanent damage to the device. These are stress ratings only, and functional operation of the device at these or any other conditions beyond those indicated under *Recommended Operating Conditions* is not implied. Exposure to absolute-maximum-rated conditions for extended periods may affect device reliability.

(2) The input and output negative-voltage ratings may be exceeded if the input and output current ratings are observed.

(3) The value of V<sub>CC</sub> is provided in the *Recommended Operating Conditions table*.

### ESD Ratings

		VALUE	UNIT	
V <sub>(ESD)</sub>	Electrostatic discharge	Human-body model (HBM)	±6000	V
		Machine model (MM)	±300	V

### Thermal Information:

THERMAL METRIC		RS809	UNIT
		3 PINS	
		SOT23	
R <sub>θJA</sub>	Junction-to-ambient thermal resistance	185.6	°C/W
R <sub>θJC(top)</sub>	Junction-to-case (top) thermal resistance	104.3	°C/W
R <sub>θJB</sub>	Junction-to-board thermal resistance	54.5	°C/W
Ψ <sub>JT</sub>	Junction-to-top characterization parameter	31.0	°C/W
Ψ <sub>JB</sub>	Junction-to-board characterization parameter	54.5	°C/W
R <sub>θJC(bot)</sub>	Junction-to-case (bottom) thermal resistance	N/A	°C/W

**PACKAGE/ORDERING INFORMATION**

PRODUCT	ORDERING NUMBER	TEMPERATURE RANGE	PACKAGE LEAD	PACKAGE MARKING <sup>(1/2)</sup>	PACKAGE OPTION
RS809	RS809-2.63YSF3	-40°C ~+125°C	SOT23	809B	Tape and Reel,3000
	RS809-2.93YSF3	-40°C ~+125°C	SOT23	809C	Tape and Reel,3000
	RS809-3.08YSF3	-40°C ~+125°C	SOT23	809D	Tape and Reel,3000
	RS809-4.00YSF3	-40°C ~+125°C	SOT23	809E	Tape and Reel,3000
	RS809-4.65YSF3	-40°C ~+125°C	SOT23	809G	Tape and Reel,3000

**NOTE:**

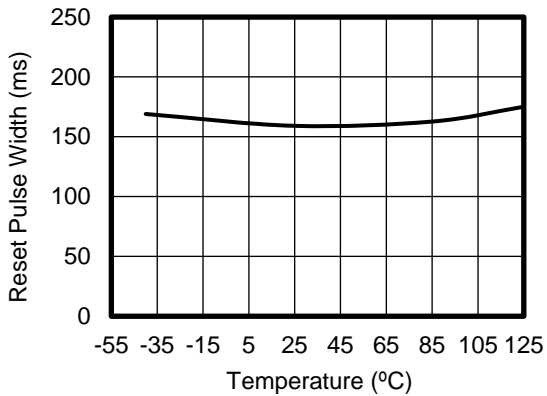
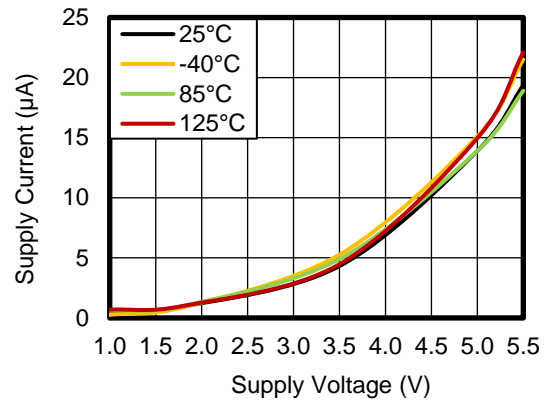
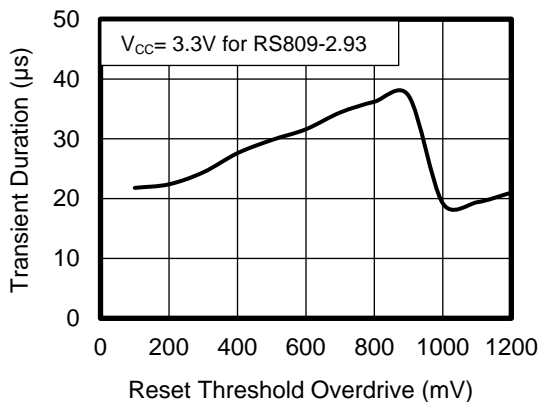
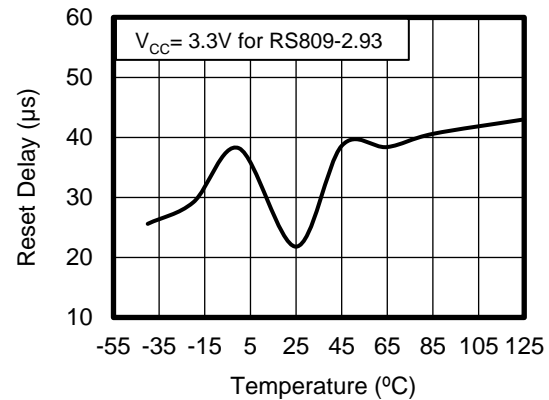
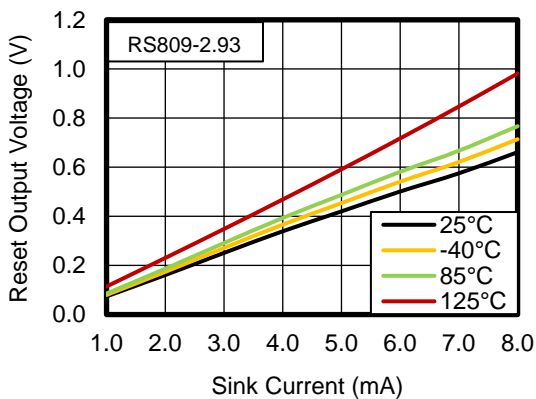
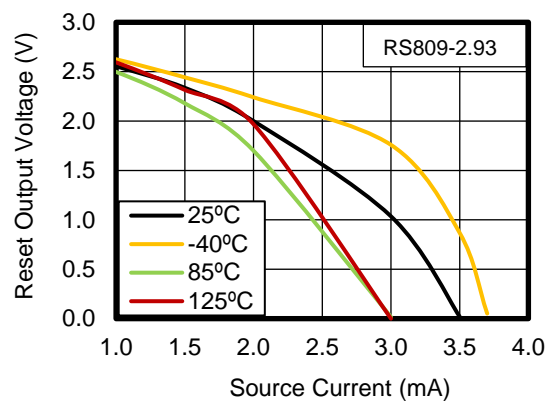
- (1) There may be additional marking, which relates to the lot trace code information (data code and vendor code), the logo or the environmental category on the device.
- (2) B, C, D, E, G represents different Reset Thresholds.

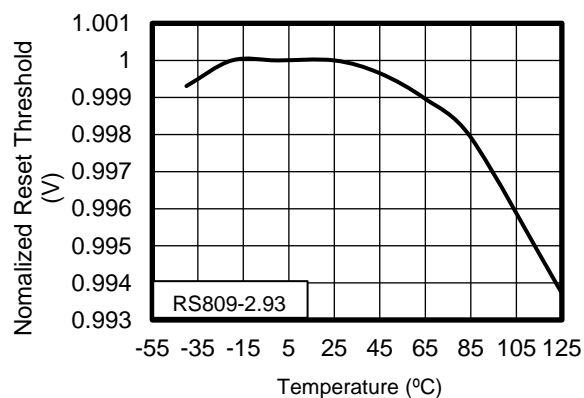
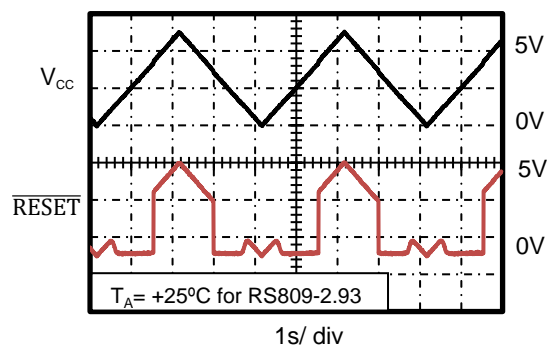
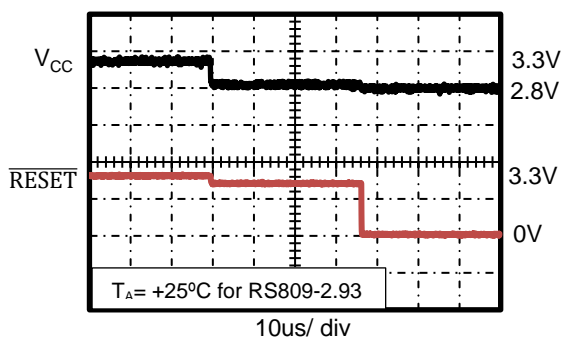
## ELECTRICAL CHARACTERISTICS

$V_{CC}$  = 2.7V to 5.5V for RS809-2.63;  $V_{CC}$  = 3V to 5.5V for RS809-2.93;  $V_{CC}$  = 3.16V to 5.5V for RS809-3.08;  $V_{CC}$  = 4.1V to 5.5V for RS809-4.00;  $V_{CC}$  = 4.77V to 5.5V for RS809-4.65;  $T_A$  = -40°C to +125°C, unless otherwise noted, typical at 25°C.)

PARAMETER	SYMBOL	TEST CONDITIONS	Operating free-air temperature ( $T_A$ )						UNIT
			-40°C to 85°C			-40°C to 125°C			
			MIN	TYP	MAX	MIN	TYP	MAX	
Supply Voltage	$V_{CC}$		1.0		5.5	1.0		5.5	V
Supply Current	$I_{SUPPLY}$			20	40		20	40	$\mu A$
Reset Threshold	$V_{RT}$	RS809-2.63	2.56	2.63	2.70	2.52	2.63	2.74	V
		RS809-2.93	2.86	2.93	3.00	2.81	2.93	3.05	
		RS809-3.08	3.00	3.08	3.16	2.95	3.08	3.21	
		RS809-4.00	3.90	4.00	4.10	3.84	4.00	4.17	
		RS809-4.65	4.54	4.65	4.72	4.46	4.65	4.84	
Reset Threshold Hysteresis		RS809-2.63		12			12		mV
		RS809-2.93		14			14		
		RS809-3.08		15			15		
		RS809-4.00		20			20		
		RS809-4.65		23			23		
Reset Pulse Width	$t_{RS}$		100	200	350	100	200	400	ms
Reset Threshold Temperature Coefficient				30			30		ppm/°C
$V_{CC}$ to $\overline{RESET}$ delay	$t_{RD}$	$V_{CC}=3.3V$ , RS809-2.93		30			30		$\mu s$
$\overline{RESET}$ Output voltage	High	$I_{SOURCE} = 500\mu A$	0.7x $V_{CC}$			0.7x $V_{CC}$			V
	Low	$I_{SINK} = 1.2mA$				0.4			

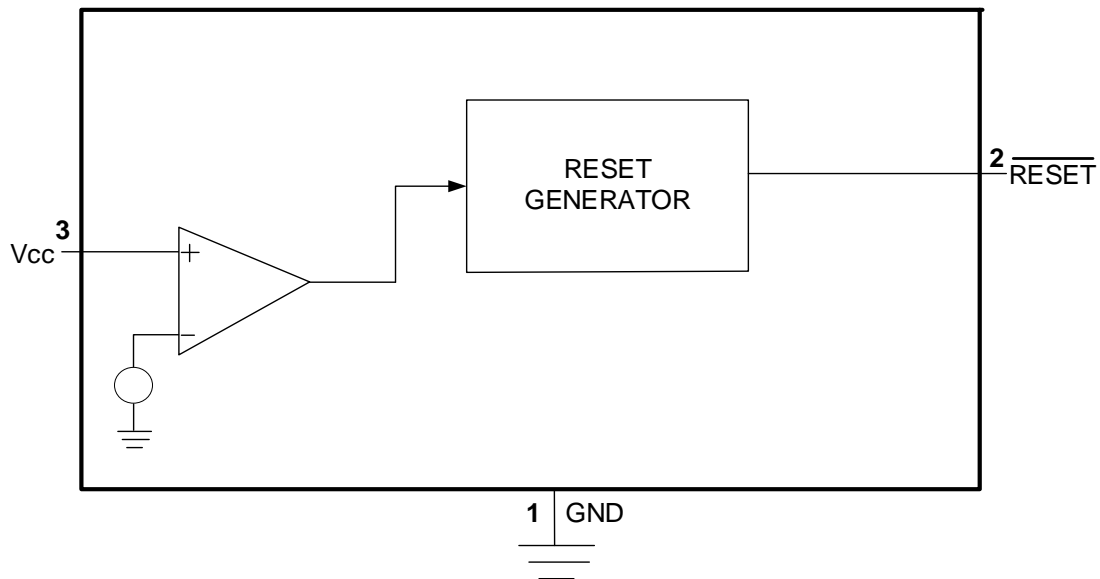
## TYPICAL OPERATING CHARACTERISTICS


**Figure 1. Reset Pulse Width vs Temperature**

**Figure 2. Supply Voltage vs Supply Current**

**Figure 3. Transient Duration vs Reset Threshold Overdrive**

**Figure 4. Reset Delay vs Temperature**

**Figure 5. Reset Output Voltage vs Sink Current**

**Figure 6. Reset Output Voltage vs Source Current**

**TYPICAL OPERATING CHARACTERISTICS**

**Figure 7. Normalized Reset Threshold vs Temperature**

**Figure 8. Reset Output Voltage vs Supply Voltage**

**Figure 9. Reset Response Time**



## Function Block Diagram



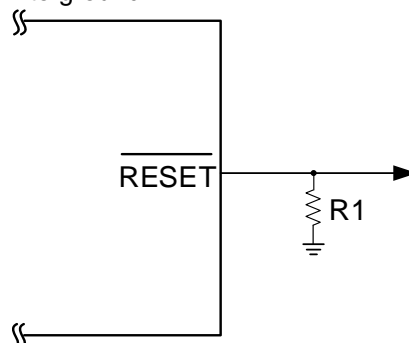
## Detailed Description

A microprocessor's ( $\mu\text{P}$ 's) reset input starts the  $\mu\text{P}$  in a known state. The RS809 asserts reset to prevent code-execution errors during power-up, power-down or brownout conditions. They assert a reset signal whenever the  $V_{CC}$  supply voltage declines below a preset threshold, keeping it asserted for at least 200ms after  $V_{CC}$  has risen above the reset threshold. The RS809 have a push-pull output stage.

## Applications Information

### Ensuring a Valid RESET Output Down to $V_{CC}=0V$

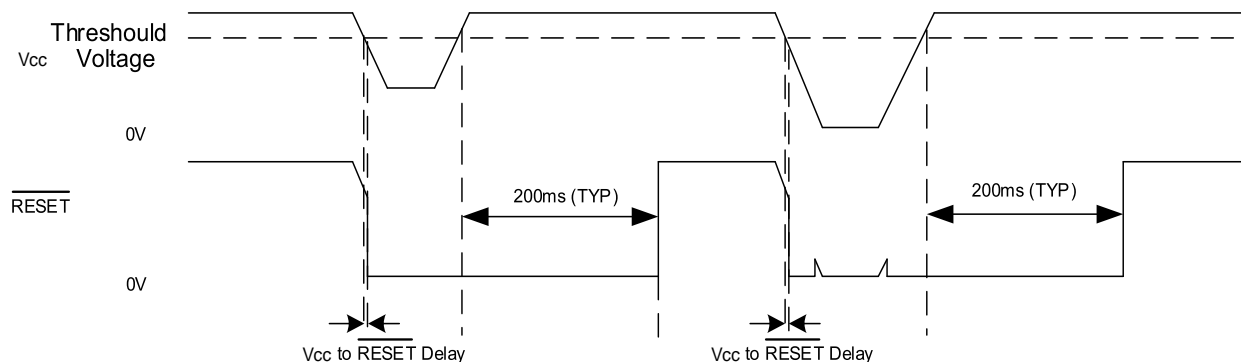
When  $V_{CC}$  falls down below 1V, the RS809  $\overline{\text{RESET}}$  output no longer sinks current, it becomes an open circuit. High-impedance CMOS logic inputs can drift to undetermined voltages if left un-driven. If a pull-down resistor is added to the  $\overline{\text{RESET}}$  pin, as shown in Figure 10, any stray charge or leakage currents will be drained to ground, holding  $\overline{\text{RESET}}$  low. Resistor value (R1) is not critical. It should be about 100K $\Omega$ , large enough not to load  $\overline{\text{RESET}}$  and small enough to pull  $\overline{\text{RESET}}$  to ground.



**Figure 10. RESET Valid to Ground Circuit**

### Reset Timing

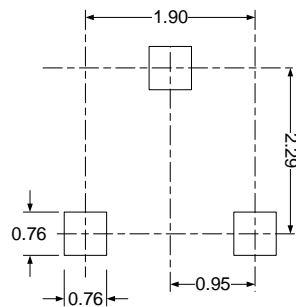
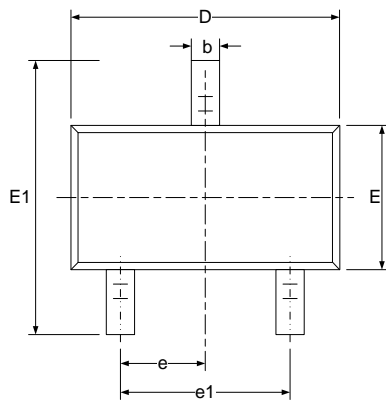
The reset signal is asserted low for the RS809 when the power supply voltage falls below the threshold trip voltage and remains asserted for at least 200ms after the power supply voltage has risen above the threshold.



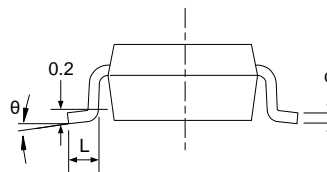
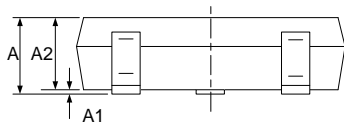
**Figure 11. RESET Timing Diagram**

# PACKAGE OUTLINE DIMENSIONS

## SOT23



**RECOMMENDED LAND PATTERN (Unit: mm)**

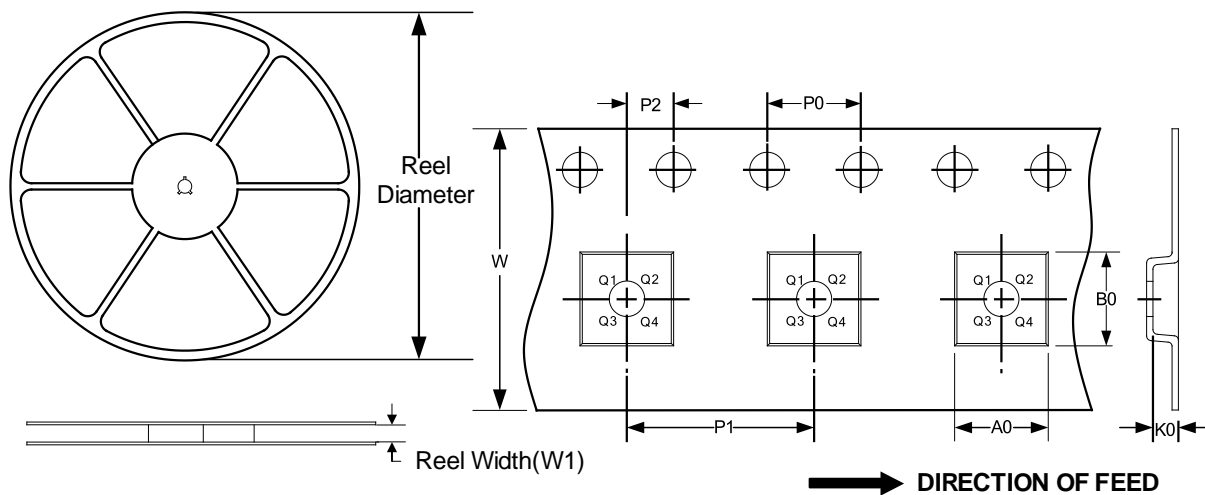


Symbol	Dimensions In Millimeters		Dimensions In Inches	
	Min	Max	Min	Max
A	0.900	1.150	0.035	0.045
A1	0.000	0.100	0.000	0.004
A2	0.900	1.050	0.035	0.041
b	0.300	0.500	0.012	0.020
c	0.080	0.150	0.003	0.006
D	2.800	3.000	0.110	0.118
E	1.200	1.400	0.047	0.055
E1	2.250	2.550	0.089	0.100
e	0.950 (BSC)		0.037 (BSC)	
e1	1.800	2.000	0.071	0.079
L	0.300	0.500	0.012	0.020
$\theta$	0°	8°	0°	8°

## TAPE AND REEL INFORMATION

### REEL DIMENSIONS

### TAPE DIMENSION



NOTE: The picture is only for reference. Please make the object as the standard.

### KEY PARAMETER LIST OF TAPE AND REEL

Package Type	Reel Diameter	Reel Width (mm)	A0 (mm)	B0 (mm)	K0 (mm)	P0 (mm)	P1 (mm)	P2 (mm)	W (mm)	Pin1 Quadrant
SOT23	7"	9.5	3.15	2.77	1.22	4.0	4.0	2.0	8.0	Q3

单击下面可查看定价，库存，交付和生命周期等信息

[>>Runic\(润石\)](#)