

BXJ Series

• 105°C 2,000~5,000Hrs assured.

- Vertical SMD type.
- Very low Impedance, Long Life.
- For STB, Tuner.
- RoHS compliant.
- Halogen-free capacitors are also available.

• AEC-Q200 compliant : Please contact us for more details, test data, information.

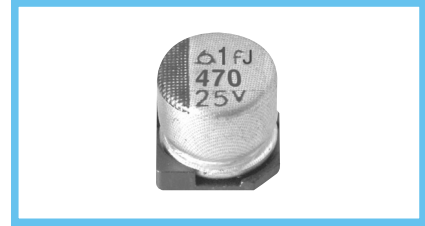
Solvent-proof

WV ≤ 63V_{DC}

BXE

Long Life

BXJ

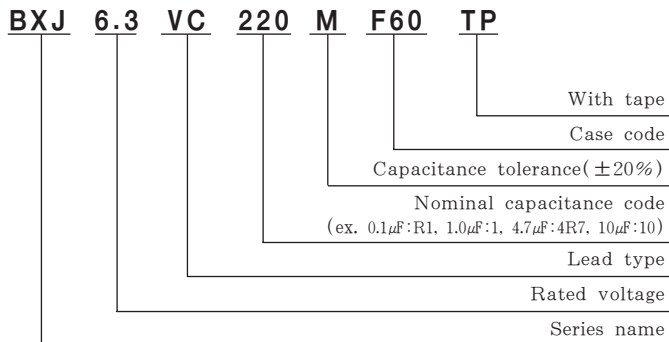


SPECIFICATIONS

Item	Characteristics	
Rated Voltage Range	6.3 ~ 50V _{DC}	63 ~ 100V _{DC}
Operating Temperature Range	-55 ~ +105°C	-40 ~ +105°C
Capacitance Tolerance	±20%(M) (at 20°C, 120Hz)	
Leakage Current	I = 0.01CV(μA) or 3μA, whichever is greater. Where, I:Max. Leakage current(μA), C:Nominal capacitance(μF), V:Rated voltage(V _{DC}) (at 20°C, 2 minutes)	
Dissipation Factor(Tanδ)	Rated Voltage(V _{DC})	6.3 10 16 25 35 50 63 100
	Tanδ (Max.)	0.26 0.19 0.16 0.14 0.12 0.12 0.12 0.12
(at 20°C, 120Hz)		
Temperature Characteristics (Max. Impedance ratio)	Rated voltage(V _{DC})	6.3 10 16 25 35 50 63 100
	Z(-25°C)/Z(+20°C)	3 2 2 2 2 2 3 3
	Z(-55°C)/Z(+20°C)	5 4 4 3 3 3 *4 *4
	* Z(-40°C)/Z(+20°C) (at 120Hz)	
Load Life	The following specifications shall be satisfied when the capacitors are restored to 20°C after the rated voltage is applied with the following conditions. D56~H63, J85 : 105°C, 2,000 hours, H10 ~ K14 : 105°C, 5,000 hours. Capacitance change D56~H63, J85 ≤ ±30% of the initial value H10~K14 ≤ ±35% of the initial value Tanδ ≤ 300% of the initial specified value Leakage current ≤ The initial specified value	
Shelf Life	The following specifications shall be satisfied when the capacitors are restored to 20°C after exposing them for 1,000 hours at 105°C without voltage applied. The rated voltage shall be applied to the capacitors for a minimum of 30 minutes, at least 24 hours and not more than 48 hours before the measurements. Capacitance change D56~H63, J85 ≤ ±30% of the initial value H10~K14 ≤ ±35% of the initial value Tanδ ≤ 300% of the initial specified value Leakage current ≤ The initial specified value	
Others	Satisfied characteristics KS C IEC 60384-4	

BXJ Series

PART NUMBERING SYSTEM



RATED RIPPLE CURRENT MULTIPLIERS

Frequency Multipliers

Size code	Freq.(Hz)		120	1K	10K	100K
	Cap.(μF)					
D56 ~ J10	4.7		0.35	0.70	0.90	1.00
	10 ~ 100		0.40	0.75	0.90	1.00
	220 ~ 470		0.50	0.85	0.94	1.00
	1,000 ~ 1,500		0.60	0.87	0.95	1.00
K14	47 ~ 100		0.40	0.75	0.90	1.00
	330 ~ 470		0.50	0.85	0.94	1.00
	680 ~ 2,000		0.60	0.87	0.95	1.00

DIMENSIONS OF BXJ Series

Unit(mm)

DIMENSIONS

● Vibration Resistance

<Size code: D56~K14> <Size code: H10~K14>

: Dummy terminals
Recommended solder land on PC board
 : Solder land on PC board

MARKING

Note 1 : L±0.5 for 8×6.3(H63)~12.5×13.5(K14)
 Note 2 : 4×5.3(D56), 5×5.3(E56), 5×5.8(E61) is excluded symbol mark.
 Note 3 : 6.3WV is marked by 6V.

Case code	∅D	L	A	B	C	W	P	a	b	c	a	b	c
D56	4	5.3	4.3	4.3	5.1	0.5~0.8	1.0	1.0	2.6	1.6			
E56	5	5.3	5.3	5.3	5.9	0.5~0.8	1.4	1.4	3.0	1.6			
E61	5	5.8	5.3	5.3	5.9	0.5~0.8	1.4	1.4	3.0	1.6			
F55	6.3	5.2	6.6	6.6	7.2	0.5~0.8	1.9	1.9	3.5	1.6			
F60	6.3	5.7	6.6	6.6	7.2	0.5~0.8	1.9	1.9	3.5	1.6			
F80	6.3	7.7	6.6	6.6	7.2	0.5~0.8	1.9	1.9	3.5	1.6			
H63	8	6.3	8.3	8.3	9.0	0.5~0.8	2.3	2.3	4.5	1.6			
H10	8	10	8.3	8.3	9.0	0.7~1.1	3.1	3.1	4.2	2.2	3.1	4.2	3.5
J85	10	8.5	10.3	10.3	11.0	0.7~1.1	4.5	4.5	4.4	2.2			
J10	10	10	10.3	10.3	11.0	0.7~1.1	4.5	4.5	4.4	2.2	4.5	4.4	3.5
K14	12.5	13.5	13.0	13.0	13.7	1.0~1.3	4.2	4.0	5.7	2.5	3.4	6.3	9.3

● Vibration Resistance → ↑

RATINGS OF BXJ Series

V _{DC} μF	6.3		10		16		25		35		50		63		100														
	Case	Cap	Case	Cap	Case	Cap	Case	Cap	Case	Cap	Case	Cap	Case	Cap	Case	Cap													
4.7									D56	1.80	85	E56	3.00	55															
10					D56	1.80	85	D56	1.80	85	E56	1.80	85	F60	4.50	48	H63	1.80	85	J85	1.35	100							
22			D56	1.80	85	E56	0.80	155	E56	0.80	155	E61	0.70	160	F55	0.55	220	F60	1.20	120	H63	1.50	100	H10	1.00	200	H10	1.50	160
33	D56	1.80	85	E56	0.80	155	F60	0.36	240	E61	0.70	160	F60	0.36	240	F60	0.36	240	F80	0.90	150	J85	0.95	205	J10	0.60	330		
47	E56	0.80	155	F60	0.36	240	F60	0.36	240	F60	0.36	240	F60	0.36	240	H63	0.75	200	H10	1.00	200	K14	0.40	400					
68	E61	0.70	160	F60	0.36	240	F60	0.36	240	F60	0.36	240	F80	0.34	280	H63	0.26	300	H10	0.44	300	J10	0.50	350	K14	0.40	400		
100	F60	0.36	240	F60	0.36	240	F60	0.36	240	H63	0.26	300	H10	0.16	600	J85	0.15	620	J85	0.40	315	J10	0.25	500	K14	0.40	400		
220	F60	0.36	240	F80	0.34	280	H10	0.16	600	J85	0.15	620	H10	0.16	600	H10	0.16	600	J10	0.25	500								
330	F80	0.34	280	H10	0.16	600	J85	0.15	620	H10	0.16	600	J10	0.08	850	J10	0.08	850	K14	0.11	650								
470	H10	0.16	600	J85	0.15	620	J10	0.08	850	J10	0.08	850	K14	0.06	1,100														
1,000	H10	0.16	600	J10	0.08	850	K14	0.06	1,100	K14	0.06	1,100																	
1,500	J10	0.08	850	K14	0.06	1,100																							
2,200	K14	0.06	1,100	K14	0.06	1,100																							

↑ Rated Ripple Current (mA rms/105°C, 100kHz)
 ↑ Impedance (Ω max./20°C, 100kHz)
 ↑ Case code

单击下面可查看定价，库存，交付和生命周期等信息

[>>SAMYOUNG\(三荣\)](#)