

CLZ Series

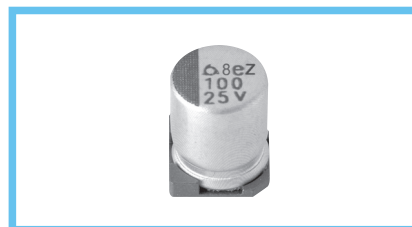
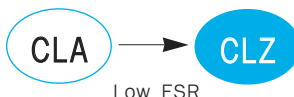
• 125°C 1,000~5,000Hrs assured.

- Vertical SMD type.
- Wide Temp., Low ESR.
- Suitable to fit for automotive equipment.
- RoHS compliant.
- Halogen-free capacitors are also available.

• AEC-Q200 compliant : Please contact us for more details, test data, information.

Solvent-proof

WV ≤ 80V_{DC}

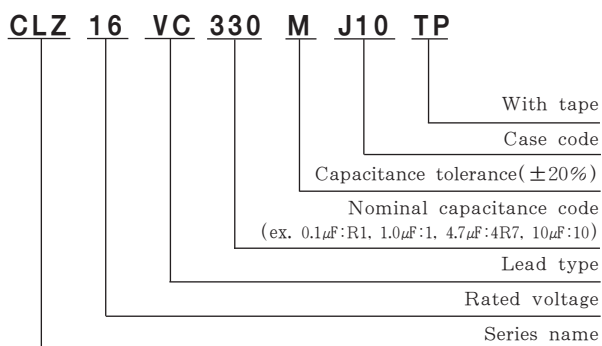


SPECIFICATIONS

Item	Characteristics																																
Rated Voltage Range	10 ~ 400 V _{DC}																																
Operating Temperature Range	-40 ~ +125°C																																
Capacitance Tolerance	±20%(M)																																
Leakage Current	Rated voltage(V _{DC})	10~100	160~400																														
	Max. Leakage current (μA)	I = 0.01CV(μA) or 3μA, whichever is greater. (at 20°C, 2 minutes)																															
Where, C : Nominal capacitance(μF), V : Rated voltage(V _{DC})																																	
Dissipation Factor(Tanδ)	Rated voltage(V _{DC})	10	16	25	35	50~80	100	160~250	400																								
	Tanδ(Max.)	0.22	0.19	0.16	0.14	0.12	0.10	0.20	0.24																								
(at 20°C, 120Hz)																																	
Temperature Characteristics (Max. Impedance ratio)	Rated voltage(V _{DC})	10	16	25	35~100	160~250	400																										
	Z(-25°C)/Z(+20°C)	4	3	2	2	3	6																										
	Z(-40°C)/Z(+20°C)	8	6	4	3	6	10																										
(at 120Hz)																																	
Load Life	The following specifications shall be satisfied when the capacitors are restored to 20°C after the rated voltage is applied for the specified time at 125°C.																																
	Capacitance change	≤ ±30% of the initial value																															
Tanδ	≤ 300% of the initial specified value																																
Leakage current	≤ The initial specified value																																
<table border="1" style="float: right; margin-left: auto; margin-right: 0;"> <thead> <tr> <th>Case Code</th> <th>10~80V</th> <th>100V</th> <th>160~400V</th> </tr> </thead> <tbody> <tr> <td>D55~F60</td> <td>1,000Hrs</td> <td>-</td> <td>-</td> </tr> <tr> <td>H63</td> <td>3,000Hrs</td> <td>-</td> <td>-</td> </tr> <tr> <td>H10</td> <td>5,000Hrs</td> <td>2,000Hrs</td> <td>-</td> </tr> <tr> <td>J10</td> <td>5,000Hrs</td> <td>2,000Hrs</td> <td>2,000Hrs</td> </tr> <tr> <td>K14~M22</td> <td>5,000Hrs</td> <td>5,000Hrs</td> <td>2,000Hrs</td> </tr> </tbody> </table>										Case Code	10~80V	100V	160~400V	D55~F60	1,000Hrs	-	-	H63	3,000Hrs	-	-	H10	5,000Hrs	2,000Hrs	-	J10	5,000Hrs	2,000Hrs	2,000Hrs	K14~M22	5,000Hrs	5,000Hrs	2,000Hrs
Case Code	10~80V	100V	160~400V																														
D55~F60	1,000Hrs	-	-																														
H63	3,000Hrs	-	-																														
H10	5,000Hrs	2,000Hrs	-																														
J10	5,000Hrs	2,000Hrs	2,000Hrs																														
K14~M22	5,000Hrs	5,000Hrs	2,000Hrs																														
Shelf Life	The following specifications shall be satisfied when the capacitors are restored to 20°C after exposing them for 1,000 hours at 125°C without voltage applied. The rated voltage shall be applied to the capacitors for a minimum of 30 minutes, at least 24 hours and not more than 48 hours before the measurements. (Where, D55 ~ F60 is 500 hours)																																
	Capacitance change	≤ ±30% of the initial value																															
Tanδ	≤ 300% of the initial specified value																																
Leakage current	≤ The initial specified value (where, 500% for ≥ WV 80 V _{DC})																																
Others	Satisfied characteristics KS C IEC 60384-4																																

CLZ Series

PART NUMBERING SYSTEM



RATED RIPPLE CURRENT MULTIPLIERS

Frequency Multipliers

Rated Voltage(V _{DC})	Size code	Freq.(Hz)				
		Cap.(μF)	120	1K	10K	100K
10 ~ 100	D55 ~ J10	10	0.66	0.86	0.93	1.00
		22 ~ 470	0.93	0.97	1.00	1.00
	K14 ~ M22	47 ~ 100	0.40	0.75	0.90	1.00
		220 ~ 1,000	0.50	0.85	0.94	1.00
		2,200 ~ 3,300	0.75	0.90	0.95	1.00
160 ~ 400	J10 ~ M22	4,700	0.85	0.95	0.98	1.00
		1 ~ 33	1.00	1.50	1.75	1.80
		47 ~ 68	1.00	1.30	1.40	1.50

DIMENSIONS OF CLZ Series

Unit(mm)

DIMENSIONS

● Vibration Resistance

<Size code: D55~M22> <Size code: H10~M22>

: Dummy terminals
Recommended solder land on PC board
 : Solder land on PC board

MARKING

<D55~J10> <K14~M22>

Note 1 : L±0.5 for 8×6.3(H63)~18×21.5(M22)
 Note 2 : 4×5.2(D55), 5×5.2(E55) is excluded symbol mark.

Case code	∅D	L	A	B	C	W	P	a	b	c	a	b	c
D55	4	5.2	4.3	4.3	5.1	0.5~0.8	1.0	1.0	2.6	1.6			
E55	5	5.2	5.3	5.3	5.9	0.5~0.8	1.4	1.4	3.0	1.6			
F55	6.3	5.2	6.6	6.6	7.2	0.5~0.8	1.9	1.9	3.5	1.6			
F60	6.3	5.7	6.6	6.6	7.2	0.5~0.8	1.9	1.9	3.5	1.6			
H63	8	6.3	8.3	8.3	9.0	0.5~0.8	2.3	2.3	4.5	1.6			
H10	8	10	8.3	8.3	9.0	0.7~1.1	3.1	3.1	4.2	2.2	3.1	4.2	3.5
J10	10	10	10.3	10.3	11.0	0.7~1.1	4.5	4.5	4.4	2.2	4.5	4.4	3.5
K14	12.5	13.5	13.0	13.0	13.7	1.0~1.3	4.2	4.0	5.7	2.5	3.4	6.3	9.3
L17	16	16.5	17.0	17.0	18.0	1.0~1.3	6.5	6.0	6.9	2.5			
L22	16	21.5	17.0	17.0	18.0	1.0~1.3	6.5	6.0	6.9	2.5	4.7	7.8	9.6
M17	18	16.5	19.0	19.0	20.0	1.0~1.3	6.5	6.0	7.9	2.5			
M22	18	21.5	19.0	19.0	20.0	1.0~1.3	6.5	6.0	7.9	2.5	4.7	8.8	9.6

※ Please inquire beforehand for 16, 18∅ size

● Vibration Resistance →

RATINGS OF CLZ Series

V _{DC} / μF	10			16			25			35			50			63			80			100					
10				D55 7.00	105	12	E55 3.30	49.5	23	F60 1.60	24.0	69	F60 2.80	42.0	51	H63 2.00	110	60	H10 1.20	80.4	70	H10 1.60	107.2	70			
22				E55 3.30	49.5	23	E55 3.30	49.5	23	F55 2.00	30.0	40	F60 1.60	24.0	69	H63 1.60	30.0	83	H10 1.00	50.0	70	J10 0.55	35.0	115	J10 1.00	64.0	95
33				E55 3.30	49.5	23	F55 2.00	30.0	40	F60 1.60	24.0	69	H63 0.90	14.0	110	H10 0.70	11.0	160	J10 0.55	27.5	115	J10 0.55	35.0	115	J10 0.80	51.2	115
47				F55 2.00	30.0	40	F60 1.60	24.0	69	H63 0.90	14.0	110	H10 0.40	6.0	220	J10 0.50	7.5	247	J10 0.55	27.5	115	K14 0.33	21.1	450	K14 0.33	19.8	450
100				H63 0.90	14.0	110	H63 0.90	14.0	110	H10 0.40	6.0	220	H10 0.40	6.0	220	J10 0.50	7.5	247	K14 0.33	16.5	450	L17 0.24	15.4	650	L17 0.24	15.4	650
220				H10 0.40	6.0	220	H10 0.40	6.0	220	J10 0.30	4.5	296	J10 0.30	4.5	296	K14 0.23	3.5	550	L17 0.24	12.0	650	M17 0.16	10.2	950			
330				J10 0.30	4.5	296	J10 0.30	4.5	296	K14 0.14	2.1	750	K14 0.14	2.1	750	L17 0.15	2.3	850	L17 0.24	12.0	650						
470				J10 0.30	4.5	296	K14 0.14	2.1	750	L17 0.10	1.5	1,000	M17 0.10	1.5	1,000	M17 0.15	2.3	920	L22 0.16	8.0	950						
1,000				K14 0.14	2.1	750	M17 0.10	1.5	1,200	M22 0.058	0.87	1,550															
2,200				L17 0.10	1.5	1,000																					
3,300				M17 0.10	1.5	1,200																					
4,700				M22 0.058	0.87	1,550																					

↑ Rated Ripple Current (mA rms/125°C, 100kHz)
 ↑ ESR (Ω max./-40°C, 100kHz)
 ↑ ESR (Ω max./20°C, 100kHz)
 ↑ Case code

V _{DC} / μF	160		200		250		400	
1							J10	18
2.2							J10	26
3.3							J10	37
4.7							K14	70
10	K14	100	K14	100	L17	120	L22	140
22	L17	180	L17	180	M17	205		
33	M17	245	M17	245	M22	260		
47	M22	315	M22	315				
68	M22	380						

↑ Rated Ripple Current (mA rms/125°C, 120Hz)
 ↑ Case code

单击下面可查看定价，库存，交付和生命周期等信息

[>>SAMYOUNG\(三荣\)](#)