



Features

- High Contact Switching Capability: 17 A
- Lower coil power and Price
- Microminiaturize ; Standard PCB terminal
- Compliance with RoHS and the requirements for White Goods
- Compliance with IEC60335-1 GWIF850°C/GWIT775°C CTI>=250V
- Ambient temperature range -40°C ~ 105°C
- Load switching 17A/277VAC; TV-8/125VAC, Max. 20A/277VAC
- Provided with NO、NC and CO Contact form
- Low coil power 0.36W, Class F insulation system
- Withstanding 6KV impulse voltage. Dielectric strength 2.5KV r.m.s
- Sealed and flux proof available

Safety Approval

UL , C-UL File No. : E190598

VDE File No.40037165

CQC File No. : CQC13002089151

Contact Capacity

Model	SRG
Nominal switching capacity (res. load)	17A 250VAC
Max. switching current	20A
Max. switching voltage	277VAC
Max. switching power	4709VA

Characteristic Data

Contact material	Silver alloy	
Initial contact resistance	100mΩ Max. (1A 6VDC)	
Operate time (at nominal volt.)	15msec. Max. (no diode)	
Release time (at nominal volt.)	10msec. Max. (no diode)	
Initial insulation resistance	1000MΩ Min. (DC500V)	
Initial dielectric strength	Between open contacts : AC1,000V, 50/60Hz 1min.	
	Between coil and contact : AC2,500V, 50/60Hz 1min.	
Vibration resistance	Destructive	10 ~ 55Hz at double amplitude of 1.5 mm
	Functional	10 ~ 55Hz at double amplitude of 1.5 mm
Shock resistance	Destructive	100G Min.
	Functional	10G Min.
Endurance (operations)	Mechanical (at 10,800 ops./h)	10,000,000 cycles (at room temperature)
	Electrical (at 360 ops./h)	100,000 cycles (at room temperature)
Ambient temperature	-40°C ~ +105°C (no condensation)	
Unit weight	Approx. 15 g	

Coil Data (at 20°C)

Nominal voltage (VDC)	Nominal operating current ± 10% (mA)	Coil resistance ± 10% (Ω)	Max. allowable voltage	Pick-up voltage (Max.)	Drop-out voltage (Min.)	Nominal operating power
5	72.00	69.5	130 % of nominal voltage	75 % of nominal voltage	10 % of nominal voltage	Approx. 0.36W
6	60.00	100				
9	40.00	225				
12	30.00	400				
18	20.00	900				
24	15.00	1,600				
36	10.00	3,600				
48	7.50	6,400				

Safety Approval Ratings

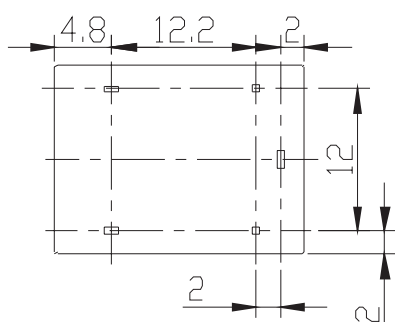
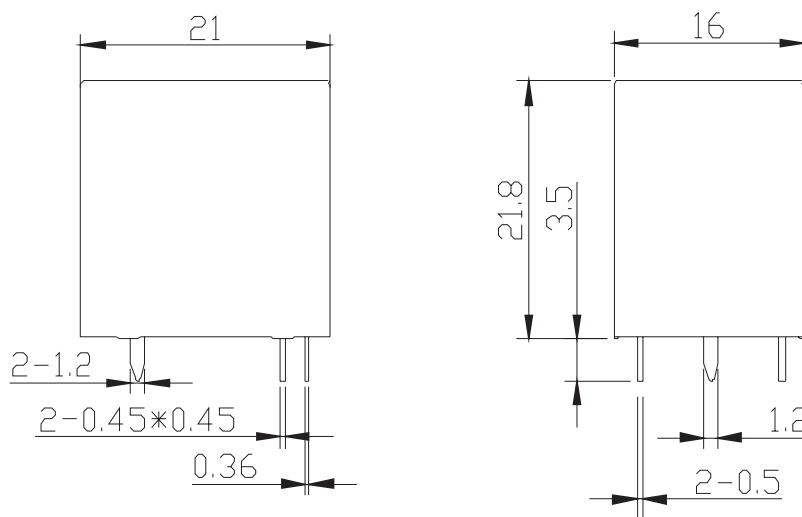
Approval	CQC	VDE	UL/CUL
File No.	CQC13002089151	40037165	E190598
Approved ratings	17A/10A 277VAC, NO/NC (CO)	10A 250VAC, NO 17A 250VAC, NO 17A/10A 250VAC, NO/NC CO	10A 277VAC, Resistive&General Use, NO 17A 277VAC, Resistive&General Use, NO 20A 125VAC, Resistive&General Use, NO 10A 277VAC, Resistive&General Use, NC TV-8 125VAC, NO 1HP 250VAC/125VAC, NO

- (1) The above-mentioned unspecified temperature ratings, means that the ambient temperature is room temperature.
- (2) Only some typical ratings are listed above. Each rating's test condition is different, so the electrical endurance will be different. If more details are required, please contact us.
- (3) For sealed type testing, please open the ventilation hole of case before test.

Ordering Information

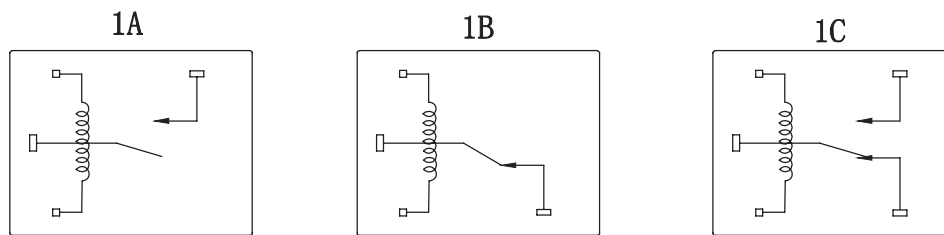
Nomenclature										
SRG	-S	-1	12	D	M	1	-F	-XX		Special Parameter : Nil-Standard type Letter or number-Special Requirement
										Insulation System : Nil-Class B, F-Class F
										Contact Material : Nil-AgSnO ₂ , 1-AgNi
										Contact Form : Nil-Form C , B-Form B, M-Form A
										Coil Power : D-0.36W
										Coil Voltage (VDC) : 05, 06, 09, 12, 18 , 24, 36, 48
										Number of Poles : 1-1 Pole
										Protective Construction : S-Flux proofed, SH-Sealed type washable
										Type Designation : SRG

Outline Dimensions, Wiring Diagram, P.C. Board Layout (unit : mm)

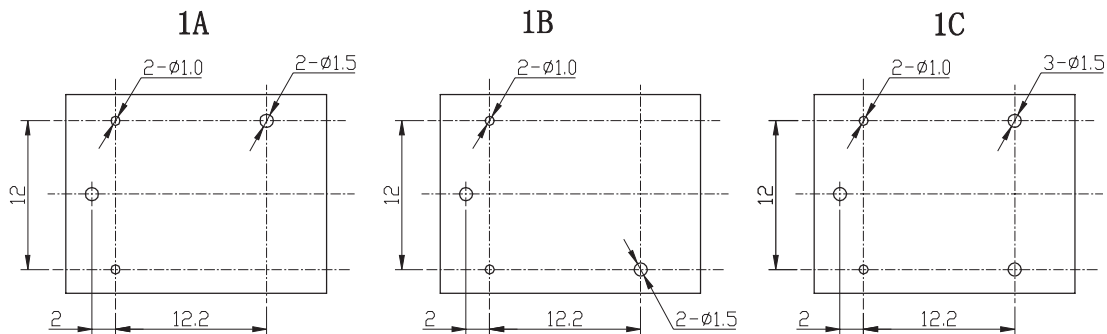


(bottom view)

Unless otherwise specified :
 If dimension < 1mm, tolerance : 0.2mm;
 If dimension 1~5mm, tolerance : 0.3mm;
 If dimension > 5mm, tolerance : 0.4mm.
 Note : 1. Extended terminal dimension is dimension before soldering.
 2. Tolerance of P.C.B. layout : 0.1mm.



Wiring Diagram (bottom view)

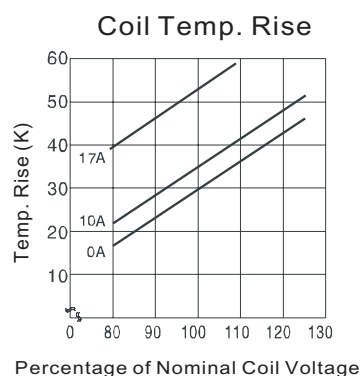
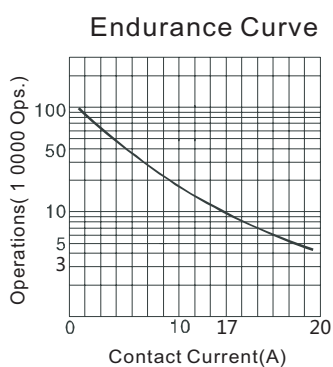
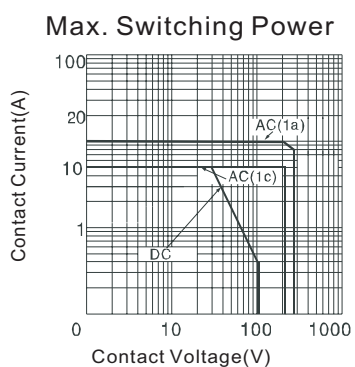


P.C.B. Layout (bottom view)

Typical Applications

- Home appliances such as air conditioner, electrical heater, etc.
- Automat
- Office equipment such as computer, fax machine, etc.
- Automatic power window, car antenna, door lock, etc.

Characteristic Curves



Disclaimer:

This datasheet is the customers' reference. All the specifications are subject to change without notice. We could not evaluate all the performance and all the parameters for every possible application. Thus the user should be in a right position to choose the suitable product for their own application. For sealed relays after installation and cleaning, please open the vent hole on the case before use. If there is any query, please contact Sanyo for technical service. However it is the user's responsibility to determine which product should be used only.

单击下面可查看定价，库存，交付和生命周期等信息

[>>SANYOU](#)