

|    |               |
|----|---------------|
| 编号 | SCTF202304481 |
| 日期 | 2023/4/19     |
| 版本 | B01           |



# 承认书

## SPECIFICATION FOR APPROVAL

|                       |                        |
|-----------------------|------------------------|
| 客户名称 Customer Name:   | Customer               |
| 供应商物料名称 Part Name:    | 石英晶体谐振器                |
| 产品描述 Description:     | SMD3225 37.400MHz/12pF |
| 供应商物料料号 Part NO.:     | SX3B37.400F1210F30     |
| 供应商名称 Supplier Name : | 深圳市星通时频电子有限公司          |

PLEASE CONFIRM OUR SPECIFICATION. 敬请确认规格书之内容。

| CUSTOMER APPROVAL 客户审批     |     |     |
|----------------------------|-----|-----|
| 物料代号 PART NO. _____        |     |     |
| 使用于机型 USED IN MODEL: _____ |     |     |
| 工程部                        | 品质部 | 采购部 |
|                            |     |     |

(敬请承认后返回一份, 谢谢!)

| SUPPLIER APPROVAL 供应商审批 |         |             |
|-------------------------|---------|-------------|
| DGN.制表人                 | CKD. 校对 | APPD. 审核、签章 |
| 吴丽红                     | 李霞      | 胡华才         |



## ■ QUARTZ CRYSTAL UNIT SPECIFICATION

### 1. Crystal Unit Spec:

| N0. | Item                              | Symb.   | Electrical Spec.         | Notes   |
|-----|-----------------------------------|---|--------------------------|---|
| 1   | Nominal Frequency<br>标称频率         | f   | 37.400000 MHz            |   |
| 2   | Oscillation Mode<br>振荡模式          | -   | AT Fundamental           |   |
| 3   | Holder Type<br>封装                 | -   | SMD3225                  |   |
| 4   | Frequency Tolerance<br>常温频差       | $\Delta f/f$  | $\pm 10\text{ppm}$       | at 25°C $\pm 2^\circ\text{C}$                             |
| 5   | Drive Level<br>激励功率               | DL  | 10 $\mu\text{W}$ Typical | See the 2.1   |
| 6   | Load Capacitance<br>负载电容          | CL  | 12pF                     | See the 2.2   |
| 7   | Effective Resistance<br>谐振电阻      | RR  | 30 $\Omega$ max.         | See the 2.3   |
| 8   | Shunt Capacitance<br>静电容          | C0  | 3 pF max.                |   |
| 9   | Drive Level Dependency<br>激励功率依赖性 | DLD2  | 10 $\Omega$ max.         | Sweep from 100nW to 100uW in 20 steps.                    |
| 10  | Temperature Drift<br>温度频差         | f_tem   | $\pm 30\text{ppm}$       | Over Operating Temp. Range (Reference 25°C)               |
| 11  | Spurious response<br>寄生响应         | SPDB  | -3dB max.                | Start -1000ppm stop 5000ppm 30 steps power applied: 10dBm |
| 12  | Operating Temperature<br>工作温度范围   | T_use   | -40~85°C                 |   |
| 13  | Storage Temperature Range<br>存储温度 | T_sta   | -55~125°C                |   |
| 14  | Insulation Resistance<br>绝缘阻抗     | IR  | 500 M $\Omega$           | at DC 100V  |
| 15  | Aging<br>年老化率                     | f_age   | $\pm 3$ ppm              | 1st Year  |
| 16  | Measurement Condition<br>测量条件     | Measured by S&A250B or equivalent, TA=25°C $\pm 2^\circ\text{C}$ , RH=40%~70% |                          |   |

### 2. Circuit Conditions Spec:

2.1 Drive Level (DL) 100 $\mu\text{W}$  max.

(If Drive Level is too high, that may cause crystal resonator abnormal oscillation or damaged the main body of quartz)

2.2 Loading Capacitance (CL) : 12pF

(The total circuit load capacitance should be equal to the crystal (CL) values, too large or too small load, will result in frequency drift.)

2.3 Negative Resistance (-R)  $\geq 150\Omega$

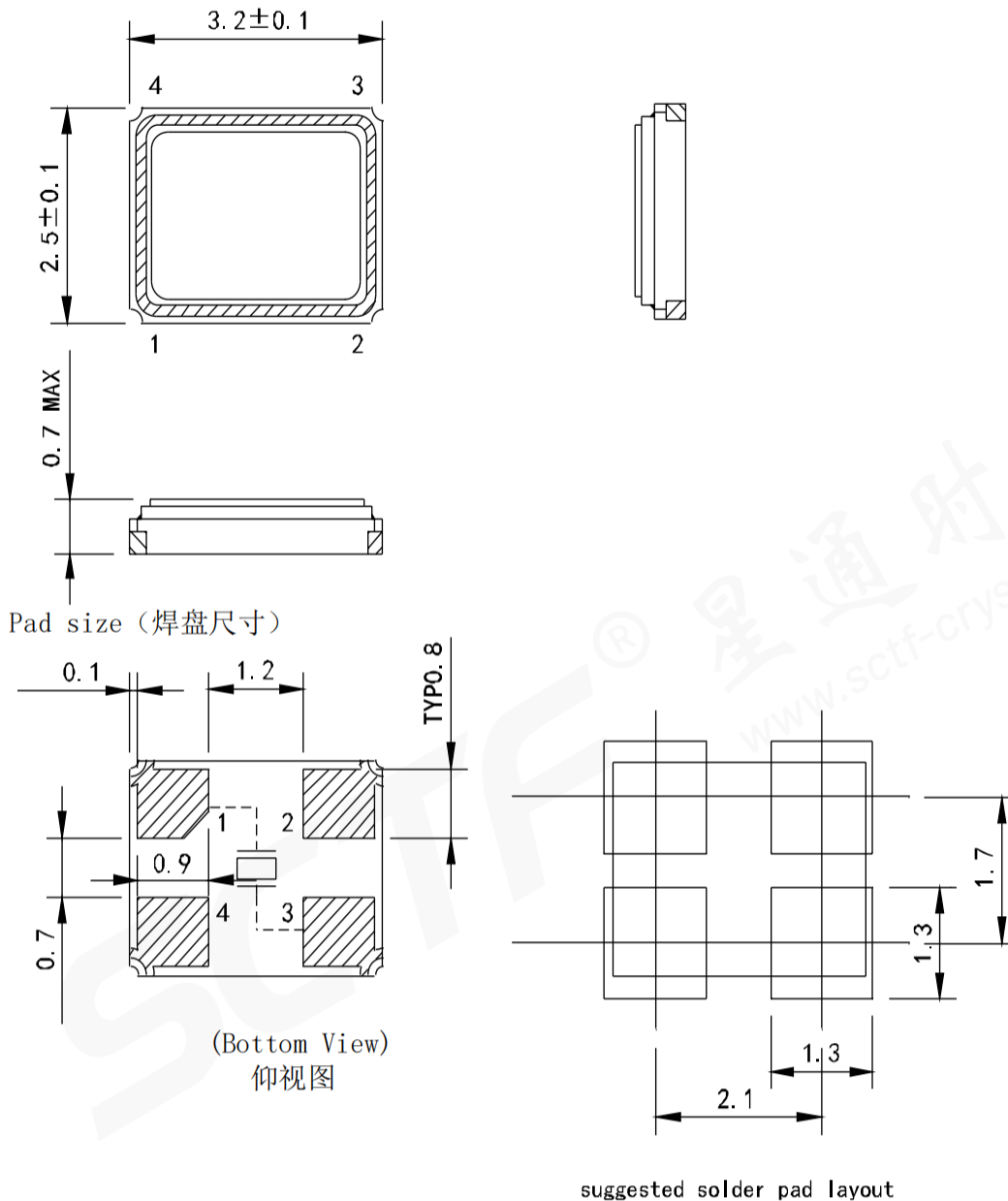
(If -R more than ESR spec of 5 times will be better. If Negative Resistance is too low, that may cause crystal resonator stop oscillation or not easy to oscillate)

| SHENZHEN SCTF ELECTRONICS CO., LTD |  |       |
|------------------------------------|--|-------|
| DATE                               | Specification of quartz crystal<br>石英晶体谐振器规格书      | Page: |
| 2023/4/19                          | P/N: SX3B37.400F1210F30<br>Spec.NO.: SCTF202304481 | 3     |

## DIMENSIONS

Product size (产品尺寸)

Units (单位): mm(毫米)

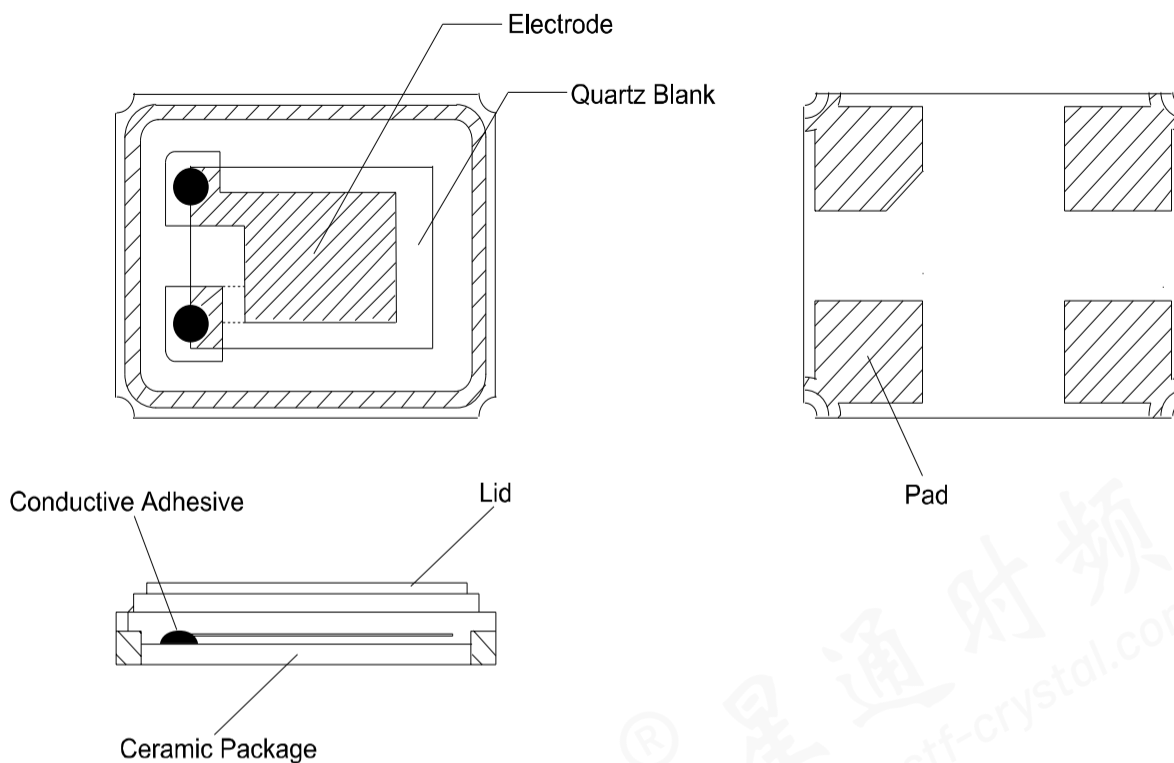


- Note: (1) The missing pad is also correct on the 4th pin, this pin is not used as a starting position.  
 (2) Product pin 2 and pin 4 are connected with a cover, please connect with GND or floating.

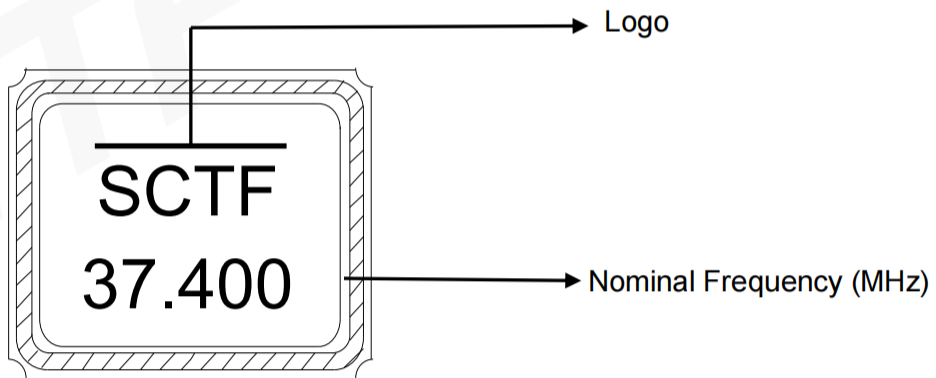
| SHENZHEN SCTF ELECTRONICS CO. , LTD |  |       |
|-------------------------------------|--|-------|
| DATE                                | Specification of quartz crystal<br>石英晶体谐振器规格书      | Page: |
| 2023/4/19                           | P/N: SX3B37.400F1210F30<br>Spec.NO.: SCTF202304481 | 4     |

## PRODUCT STRUCTURE & MARKING

### Product Structure 产品结构



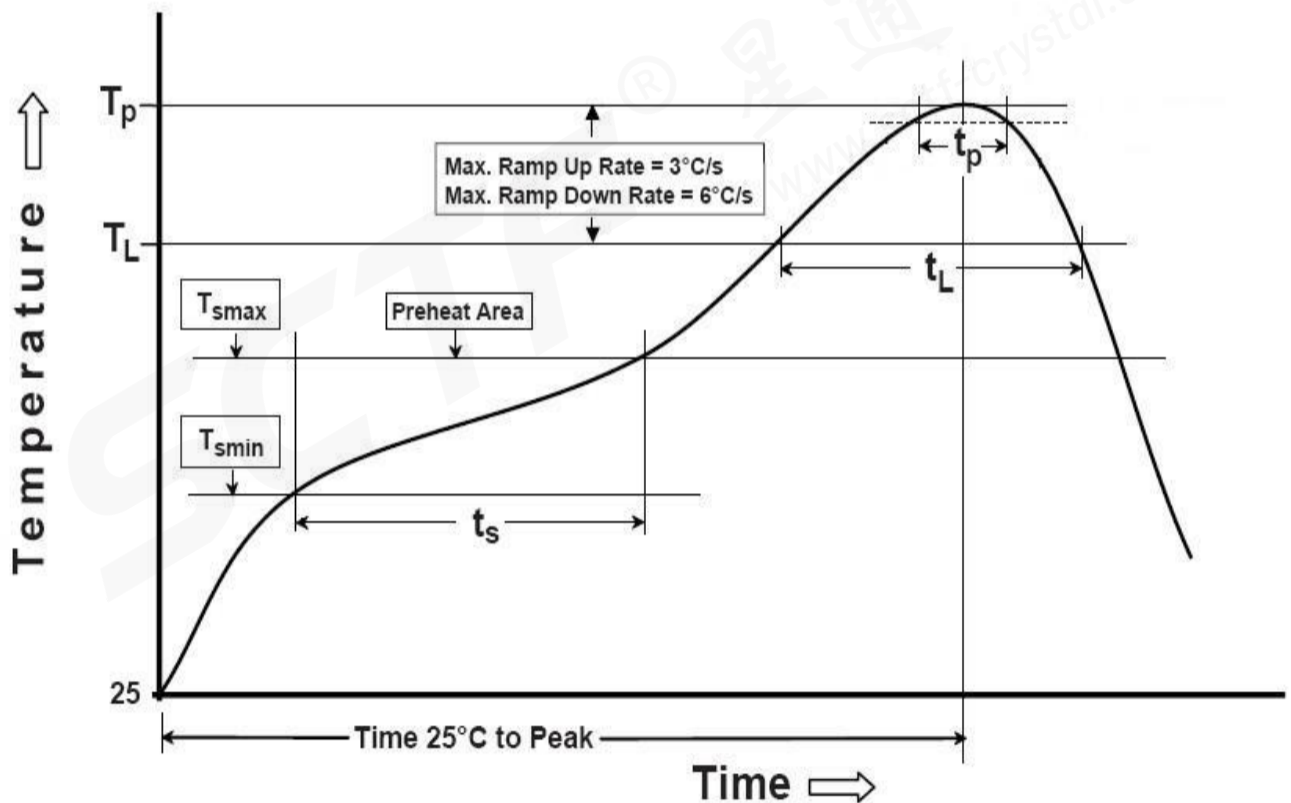
### Marking 印字



| SHENZHEN SCTF ELECTRONICS CO. , LTD |  |       |
|-------------------------------------|--|-------|
| DATE                                | Specification of quartz crystal<br>石英晶体谐振器规格书      | Page: |
| 2023/4/19                           | P/N: SX3B37.400F1210F30<br>Spec.NO.: SCTF202304481 | 5     |

## REFLOW PROFILES

| Profile Feature   | Sn-Pb Eutectic Assembly | Pb-Free Assembly |
|---|-------------------------|------------------|
| Preheat/Soak  |                         |                  |
| ● Temperature Min (Ts min)  | 100 °C                  | 150 °C           |
| ● Temperature Max (Ts max)  | 150 °C                  | 200 °C           |
| ● Time (Ts min to Ts max)   | 60-120 seconds          | 60-120 seconds   |
| Ramp-up rate (TL to Tp)   | 3 °C/second max.        | 3 °C/second max. |
| Time maintained above   |                         |                  |
| ● Liquidous temperature (TL)                                      | 183 °C                  | 217 °C           |
| ● Time (tL) maintained above TL                                   | 60-150 seconds          | 60-150 seconds   |
| Peak package body temperature (Tp)                                | 235°C                   | 260°C            |
| Time within 5 °C of the specified classification temperature (Tp) | 20 seconds              | 30 seconds       |
| Ramp-down rate (Tp to TL)   | 6 °C/second max.        | 6 °C/second max. |
| Time 25 °C to peak temperature                                    | 6 minutes max.          | 8 minutes max.   |
| <b>Suggest reflow times</b>                                       | <b>3 Times max.</b>     |                  |



| SHENZHEN SCTF ELECTRONICS CO., LTD |  |       |
|------------------------------------|--|-------|
| DATE                               | Specification of quartz crystal<br>石英晶体谐振器规格书      | Page: |
| 2023/4/19                          | P/N: SX3B37.400F1210F30<br>Spec.NO.: SCTF202304481 | 6     |

## RELIABILITY SPECIFICATION

| 序号<br>NO. | 项目<br>ITEM                | 条件<br>CONDITIONS   | 合格标准<br>BASIS OF VERDICT  |
|-----------|---------------------------|--|---|
| 1         | 跌落<br>DROP                | 100cm高处自由跌落到3cm厚木板上,3次<br>High:100cm;Thickness:3cm;3 times.  | $\Delta FL \leq \pm 5 \text{ppm}$<br>$\Delta RR \leq RR(\text{max}) * 10\%$ |
| 2         | 振动<br>VIBRATION           | 频率 Frequency:10~57.7Hz:幅度 Amplitude: $\pm 0.75 \text{mm}$<br>频率Frequency:57.7Hz~500Hz:加速度幅度acceleration<br>rate:98m/s <sup>2</sup><br>周期 Cycle time:10-500-10Hz: 15min<br>振动方向 Direction:X,Y, Z<br>振动时间 Duration: 每个方向2小时 2 h/direction.   | $\Delta FL \leq \pm 5 \text{ppm}$<br>$\Delta RR \leq RR(\text{max}) * 10\%$ |
| 3         | 温度变化<br>TEMPERATURE SHOCK | -40°C $\pm 2^\circ\text{C}$ (30min) $\leftrightarrow$ 85°C $\pm 2^\circ\text{C}$ (30min);循环10次<br>-40°C $\pm 2^\circ\text{C}$ (30min) $\leftrightarrow$ 85°C $\pm 2^\circ\text{C}$ (30min);For 10<br>cycles  | $\Delta FL \leq \pm 5 \text{ppm}$<br>$\Delta RR \leq RR(\text{max}) * 10\%$ |
| 4         | 湿热<br>HUMIDITY            | 温度:40°C $\pm 2^\circ\text{C}$ ;湿度90-95%;时间:96小时<br>Temp:40°C $\pm 2^\circ\text{C}$ ;Humidity:90-95%;Times:96h  | $\Delta FL \leq \pm 5 \text{ppm}$<br>$\Delta RR \leq RR(\text{max}) * 10\%$ |
| 5         | 低温<br>COLD RESISTANCE     | 温度:-40°C $\pm 2^\circ\text{C}$ ;时间:96小时<br>Temp:-40°C $\pm 2^\circ\text{C}$ ;Times:96h   | $\Delta FL \leq \pm 5 \text{ppm}$<br>$\Delta RR \leq RR(\text{max}) * 10\%$ |
| 6         | 高温1<br>HEAT RESISTANCE 1  | 温度:100°C $\pm 2^\circ\text{C}$ ;时间:96小时<br>Temp:100°C $\pm 2^\circ\text{C}$ ;Times:96h   | $\Delta FL \leq \pm 5 \text{ppm}$<br>$\Delta RR \leq RR(\text{max}) * 10\%$ |
| 7         | 高温2<br>HEAT RESISTANCE 2  | 温度:155°C $\pm 2^\circ\text{C}$ ;时间:2小时<br>Temp:155°C $\pm 2^\circ\text{C}$ ;Times:2h   | $\Delta FL \leq \pm 5 \text{ppm}$<br>$\Delta RR \leq RR(\text{max}) * 10\%$ |
| 8         | 高温3<br>HEAT RESISTANCE 3  | 温度:85°C $\pm 2^\circ\text{C}$ ;电压:3.3V/5.0V;时间:96小时<br>Temp:85°C $\pm 2^\circ\text{C}$ ;Voltage:3.3V/5.0V;Times:96h  | $\Delta FL \leq \pm 5 \text{ppm}$<br>$\Delta RR \leq RR(\text{max}) * 10\%$ |
| 9         | 回流焊<br>REFLOW             | 150°C $\pm 5^\circ\text{C}$ 保持120s后升到270°C $\pm 5^\circ\text{C}$ 保持10s, 升温和<br>保温时间小于200s, 常温放置1~2h后测定<br>Keep 150 °C $\pm$ 5 °C 120s and then rose to 270 °C $\pm$ 5 °C<br>for 10s, warming and holding time is less than the 200s,<br>placed at room temperature 1 ~ 2h after test | $\Delta FL \leq \pm 5 \text{ppm}$<br>$\Delta RR \leq RR(\text{max}) * 10\%$ |
| 10        | 盐雾<br>SALT SPRAY          | 盐雾浓度:5%;温度:35°C;时间:24小时<br>Salt density:5%;Temp:35°C;Times:24h   | 目测无明显腐蚀现象<br>Visual no significant<br>corrosion.                            |
| 11        | 老化<br>AGING               | 温度:85°C;时间:30天<br>Temp:85°C;Times:30days   | $\Delta FL \leq \pm 5 \text{ppm}$<br>$\Delta RR \leq RR(\text{max}) * 10\%$ |
| 12        | 气密性<br>LEAKAGE            | 氦气(0.6~0.65MPa):10分钟<br>He(0.6~0.65MPa):10min  | $\leq 3 * 10^{-9} \text{Pa} \cdot \text{m}^3/\text{s}$                      |
| 13        | 焊接<br>SOLDER              | 温度:260°C $\pm 5^\circ\text{C}$<br>Temp:260°C $\pm 5^\circ\text{C}$   | 浸锡率大于90%<br>Soldering tin rate<br>greater than 90%                          |

### SHENZHEN SCTF ELECTRONICS CO. , LTD

| DATE      | Specification of quartz crystal<br>石英晶体谐振器规格书      | Page: |
|-----------|--|-------|
| 2023/4/19 | P/N: SX3B37.400F1210F30<br>Spec.NO.: SCTF202304481 | 7     |

# PACKAGE

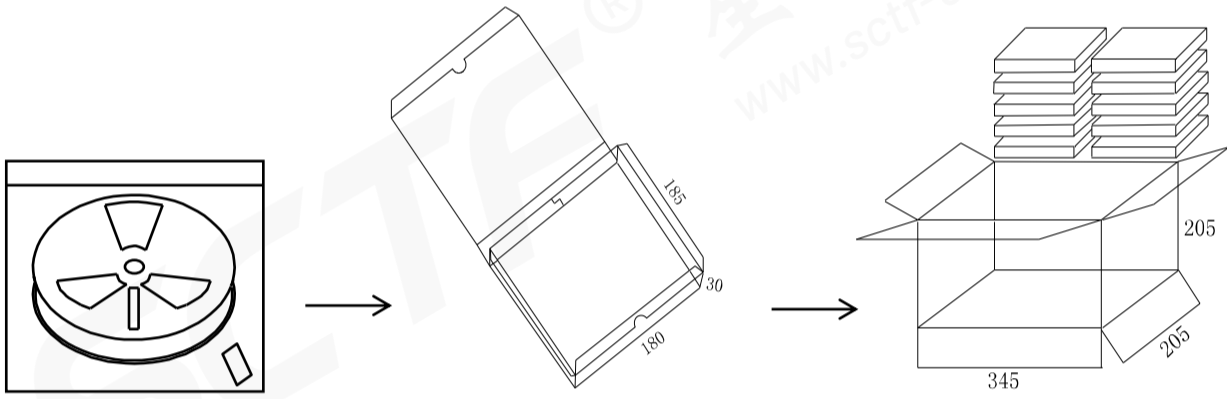
## ◆ Taping Specifications 编带规格

UNIT(单位):mm(毫米)



| TEYE        | A    | B    | C    | D    | E    | F    | G    | H    | I    | J    | K    | L    | M     | N     | O      |
|-------------|------|------|------|------|------|------|------|------|------|------|------|------|-------|-------|--------|
| 3.2×2.5 SMD | 0.25 | 3.50 | 1.40 | 8.00 | 3.50 | 2.75 | 4.00 | 4.00 | 2.00 | 1.50 | 2.30 | 4.00 | 13.00 | 60.00 | 180.00 |

## ◆ Packaging specifications 包装规格



自封袋(Bag)  
3000只 = 1 轮  
3000pcs = 1 Reel

内包装(Inside package)  
1 轮=1 盒  
1 Reel=1 box

外包装(Outside Package )  
10 盒=1 箱  
10 box=1 carton

|  |  |              |
|--|--|--------------|
| <b>SHENZHEN SCTF ELECTRONICS CO. , LTD</b> |  |              |
| <b>DATE</b>                                | <b>Specification of quartz crystal</b><br>石英晶体谐振器规格书             | <b>Page:</b> |
| <b>2023/4/19</b>                           | <b>P/N: SX3B37.400F1210F30</b><br><b>Spec.NO.: SCTF202304481</b> | <b>8</b>     |



单击下面可查看定价，库存，交付和生命周期等信息

[>>SCTF\(星通时频\)](#)