

FEATURES

- Accurate true zero-crossing switch-point
- South and North pole pre-induction possible
- Large air gap
- 3.8 to 26.5V supply operating range
- -40°C-150°C temperature range
- Protection against over-voltage in all PIN
- Reverse-current protection in VDD PIN



DESCRIPTION

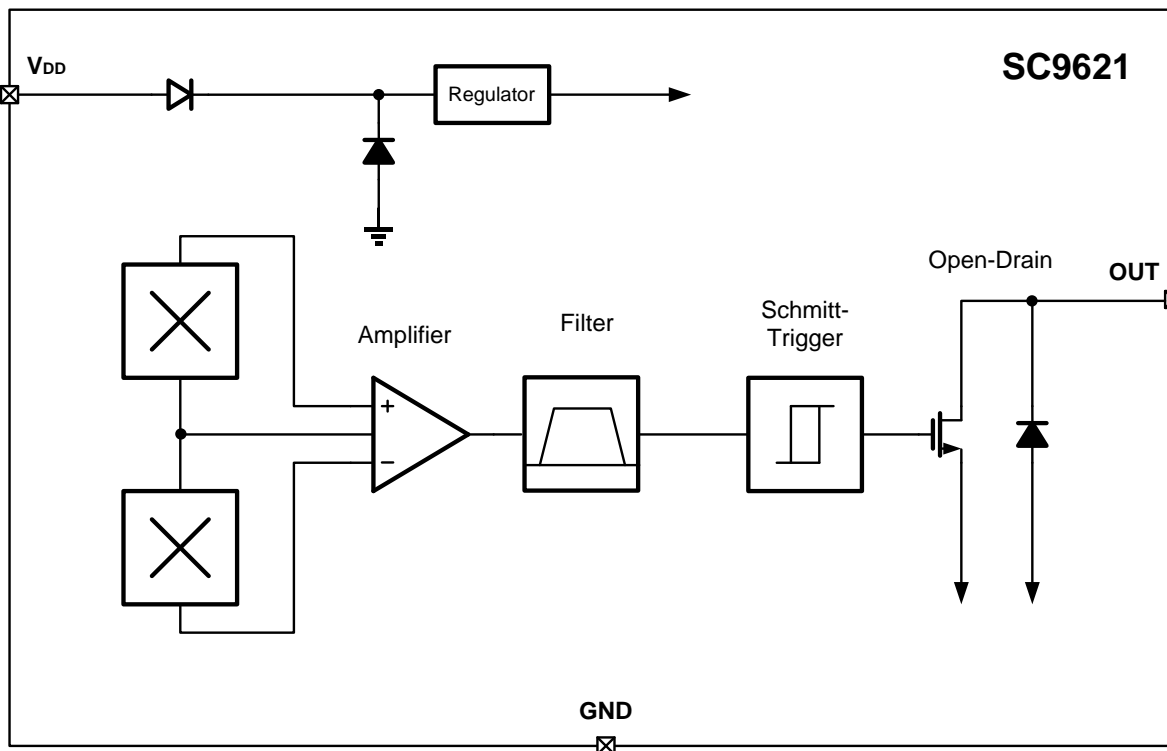
The differential Hall Effect sensor SC9621 provides a high sensitivity and a superior stability over temperature and symmetrical thresholds in order to achieve a stable duty cycle. The integrated circuit is response to changing differential magnetic fields created by rotating ring magnets and by ferrous targets when coupled with a magnet. The device is particularly suitable for rotational speed detection and timing applications of ferromagnetic toothed wheels, such as, anti-lock braking systems, transmissions, crankshafts, etc.

The device is packaged in a 4-pin plastic SIP. It is lead (Pb) free, with 100% matte tin plated lead frame.

CONTENTS

| | | | |
|--|-------|--|--------|
| FEATURES | - 1 - | TYPICAL CHARACTERISTICS | - 8 - |
| DESCRIPTION | - 1 - | TYPICAL CHARACTERISTICS (<i>continued</i>) | - 9 - |
| BLOCK DIAGRAM | - 3 - | SIMULATION RESULT | - 10 - |
| ORDERING INFORMATION | - 3 - | FUNCTIONAL DESCRIPTION | - 11 - |
| TERMINAL CONFIGURATION | - 4 - | <i>Power Derating Description</i> | - 11 - |
| ABSOLUTE MAXIMUM RATINGS | - 5 - | <i>Gear Tooth Sensing</i> | - 12 - |
| ESD PROTECTION | - 5 - | TYPICAL APPLICATION | - 13 - |
| Thermal Characteristics | - 5 - | PACKAGE INFORMATION | - 14 - |
| Electro Magnetic Compatibility – (values depend on R _{Series!}) | - 6 - | REVISION HISTORY | - 15 - |
| OPERATING CHARACTERISTICS | - 7 - | | |

BLOCK DIAGRAM

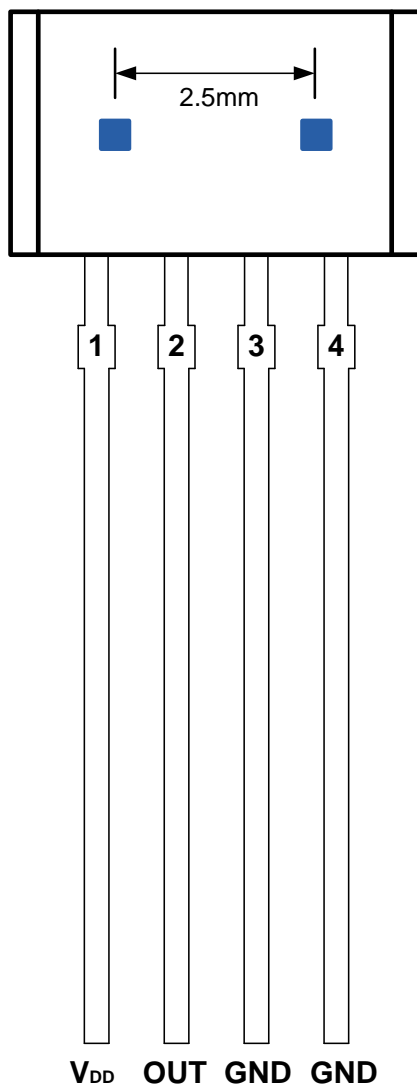


ORDERING INFORMATION

| Part Number | Packing | Mounting | Ambient, T _A | Marking |
|-------------|----------------------|-----------|-------------------------|---------|
| SC9621VB | Bulk, 500 pieces/bag | 4-pin SIP | -40°C to 150°C | 9621 |

TERMINAL CONFIGURATION

4-Terminal SIP
VB Package
(Top View)



| Terminal | | Type | Description |
|-----------------|--------|--------|---|
| Name | Number | | |
| V _{DD} | 1 | PWR | 3.8V ~26.5 V power supply |
| OUTA | 2 | Output | Open-drain output required a pull-up resistor |
| GND | 3 | Ground | Ground terminal |
| GND | 4 | Ground | Ground terminal |

ABSOLUTE MAXIMUM RATINGS

| Parameter | Symbol | Limit Values | | Units |
|-------------------------------|------------|--------------|------|-------|
| | | Min. | Max. | |
| Power supply voltage | V_{DD} | -30 | 30 | V |
| Power supply current | I_{DD} | -10 | 25 | mA |
| Output terminal voltage | V_{OUT} | -0.5 | 30 | V |
| Output terminal current sink | I_{SINK} | 0 | 40 | mA |
| Operating ambient temperature | T_A | -40 | 150 | °C |
| Maximum junction temperature | T_J | -55 | 165 | °C |
| Storage temperature | T_{STG} | -65 | 175 | °C |

Note: Stresses above those listed here may cause permanent damage to the device. Exposure to absolute maximum rating conditions for extended periods may affect device reliability.

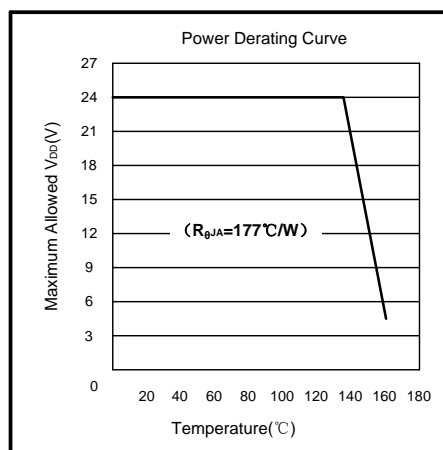
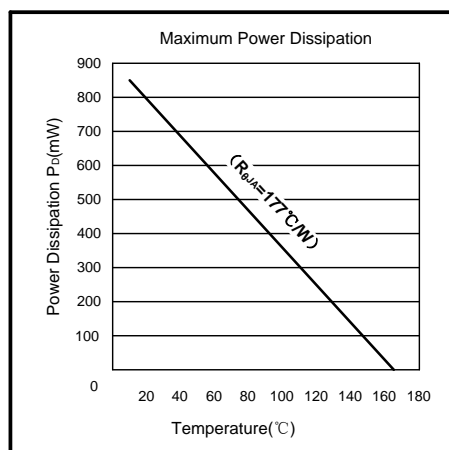
ESD PROTECTION

Human Body Model (HBM) tests according to: standard AEC-Q100-002

| Parameter | Symbol | Limit Values | | Units |
|----------------|-----------|--------------|------|-------|
| | | Min. | Max. | |
| ESD-Protection | V_{ESD} | -4 | 4 | KV |

Thermal Characteristics

| Symbol | Parameter | Test Conditions | Rating | Units |
|-----------------|----------------------------|--|--------|-------|
| $R_{\theta JA}$ | Package thermal resistance | Single-layer PCB, with copper limited to solder pads | 177 | °C/W |



Electro Magnetic Compatibility – (values depend on R_{Series}!)

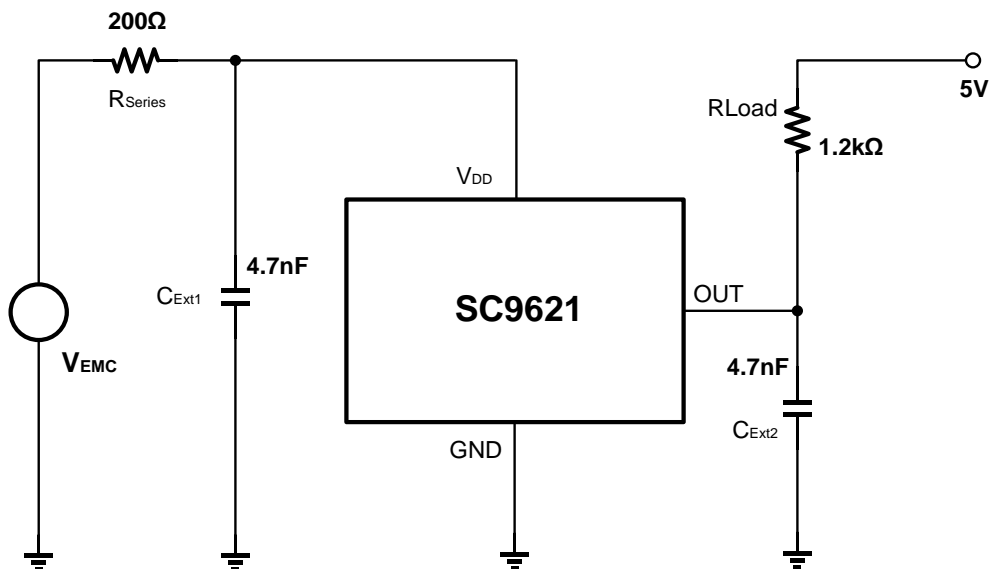
Ref. ISO 7637-2; see the test circuit for EMC tests;

$\Delta B_{PP} = 10\text{mT}$ (ideal sinusoidal signal); $V_{DD} = 13.5\text{V}$, $f_B = 1\text{ kHz}$; $T_A = 25^\circ\text{C}$; $R_{Series} \geq 200\ \Omega$;

| Parameter | Symbol | Level / Typ. | Status |
|---------------|------------------|--------------|--------|
| Test pulse 1 | V _{EMC} | IV / -150V | C |
| Test pulse 2 | | IV / 112V | C |
| Test pulse 3a | | IV / -220V | A |
| Test pulse 3b | | IV / 150V | A |
| Test pulse 5 | | IV / 34V | C |

1. Test criteria for status A: No missing pulse no additional pulse on the IC output signal plus duty cycle and jitter are in specification limits.
2. Test criteria for status B: No missing pulse no additional pulse on the IC output signal.
3. Test criteria for status C: One or more parameter can be out of specification during the exposure but returns automatically to normal operation after exposure is removed.

Test circuit for EMC tests



OPERATING CHARACTERISTICS

over operating free-air temperature range ($V_{DD}=5V$, unless otherwise noted)

| Symbol | Parameter | Test Conditions | Min. | Typ. | Max. | Units |
|---------------------------------|--|-------------------------------|------|------|------|---------|
| Electrical parameters | | | | | | |
| V_{DD} | Operating voltage | $T_J < T_{J(max)}$ | 3.8 | -- | 26.5 | V |
| I_{DD} | Operating supply current | $V_{DD}=3.5$ to 26.5 V | 2.5 | 3.5 | 4.5 | mA |
| V_{Qsat} | Output saturation voltage | $I_Q=20mA$, $T_A=25^\circ C$ | -- | 140 | 400 | mV |
| I_{QL} | Output leakage current | $V_{DD} < 24V$ | -- | -- | 10 | μA |
| V_{DZ} | Overvoltage protection at VDD terminal | $I_{DD} = 10mA$ | 30 | 35 | 40 | V |
| V_{OZ} | Overvoltage protection at OUT terminal | $V_Q = High$ $I_Q = 1mA$ | 30 | 35 | 40 | V |
| t_{po}^2 | Power-on time | $V_{DD}>3.5V$ | -- | 3.8 | 9 | mS |
| t_{settle}^3 | Settling time | $V_{DD}>3.5V$, $f=1kHz$ | 0 | -- | 50 | mS |
| $t_{response}^4$ | Response time | $V_{DD}>3.5V$, $f=1kHz$ | 3.8 | -- | 59 | mS |
| t_r^5 | Output rise time | $R1=1Kohm$ $C_Q=20pF$ | -- | -- | 0.2 | μS |
| t_f | Output fall time | $R1=1Kohm$ $C_Q=20pF$ | -- | -- | 0.2 | μS |
| f_{cu} | Upper corner frequency | -3dB, single pole | -- | 20 | -- | kHz |
| f_{cl} | Lower corner frequency | -3dB, single pole | -- | 5 | -- | Hz |
| Magnetic Characteristics | | | | | | |
| B_{Back} | Pre-induction | | -500 | -- | 500 | mT |
| B_{Diff}^6 | Differential fields | $f=1kHz$ | -100 | -- | 100 | mT |
| B_{HYS} | Postive and negative hysteresis | $f=1kHz$, $B_{Diff}=5mT$ | 0.4 | 0.8 | 2.0 | mT |

¹Time required to initialize device.

²Time required for the output switch points to be within specification.

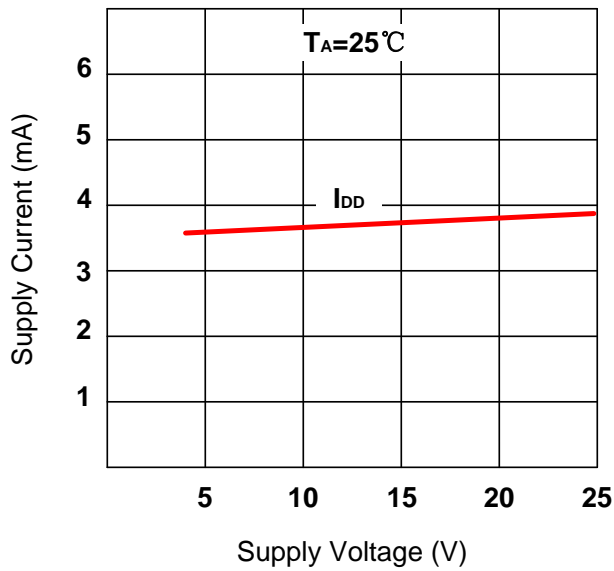
³ Equal to $t_{po} + t_{settle}$.

⁴Output Rise Time will be dominated by the RC time constant.

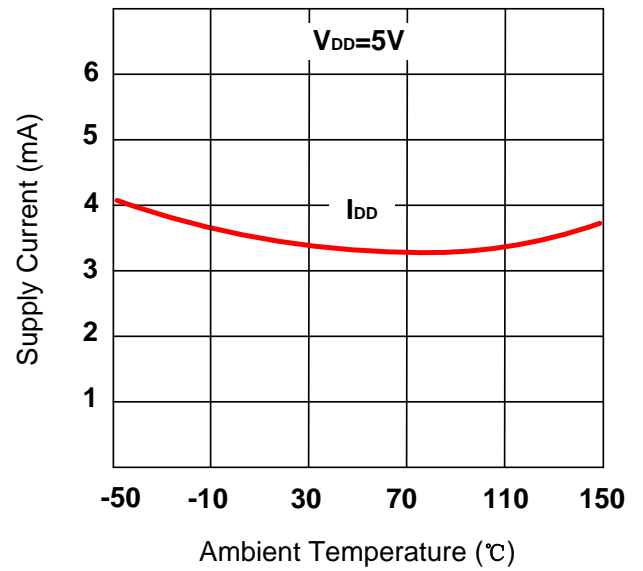
⁵Exceeding this limit might result in decreased duty cycle performance and the phase accuracy.

TYPICAL CHARACTERISTICS

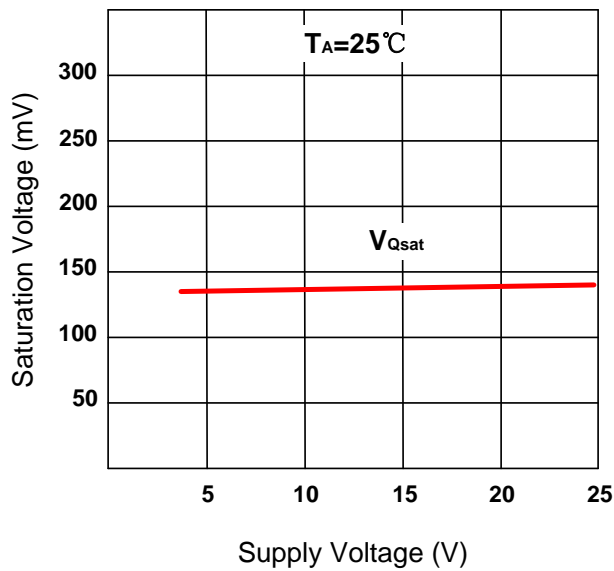
I_{DD} vs V_{DD}



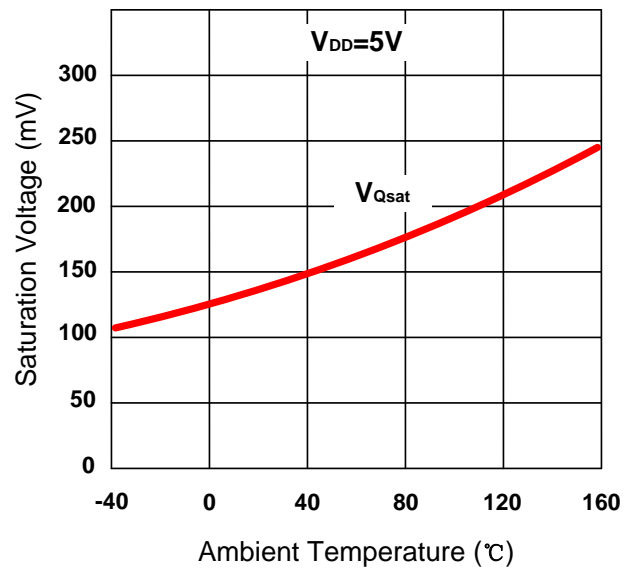
I_{DD} vs T_A



$V_{Q(sat)}$ vs V_{DD}

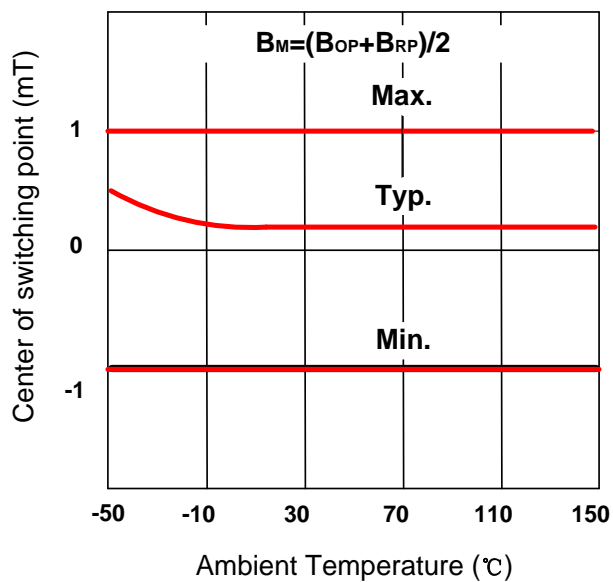


$V_{Q(sat)}$ vs T_A

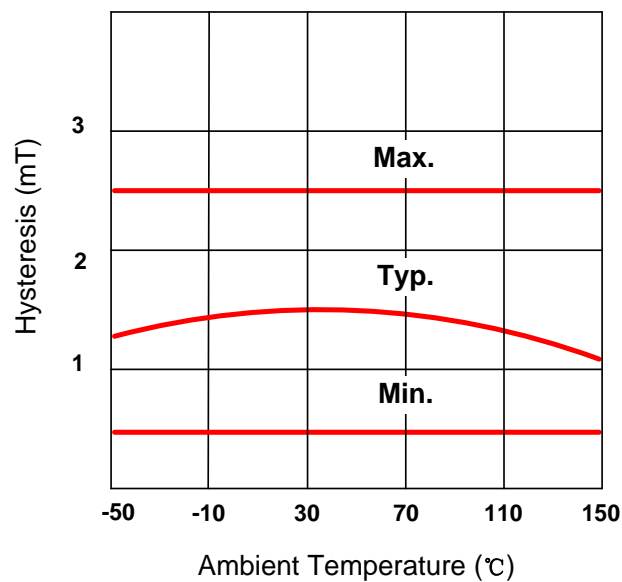


TYPICAL CHARACTERISTICS (continued)

ΔB_M vs T_A

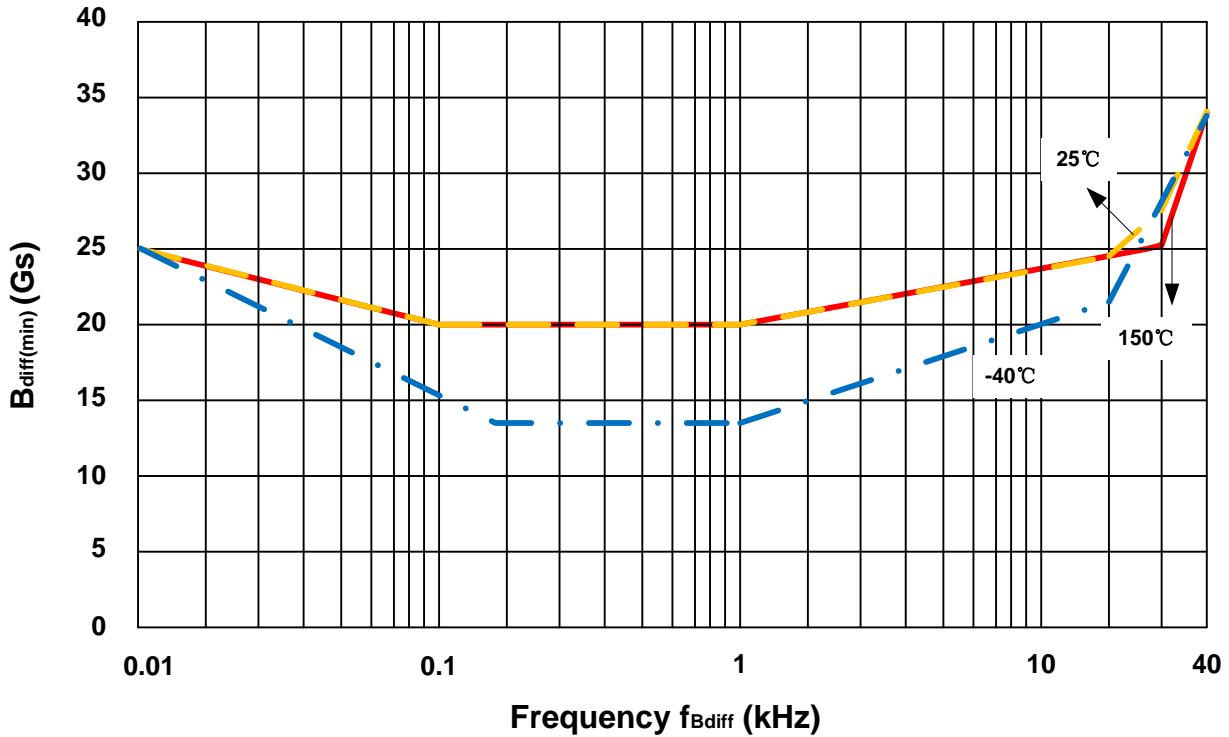


V_{HYS} vs T_A

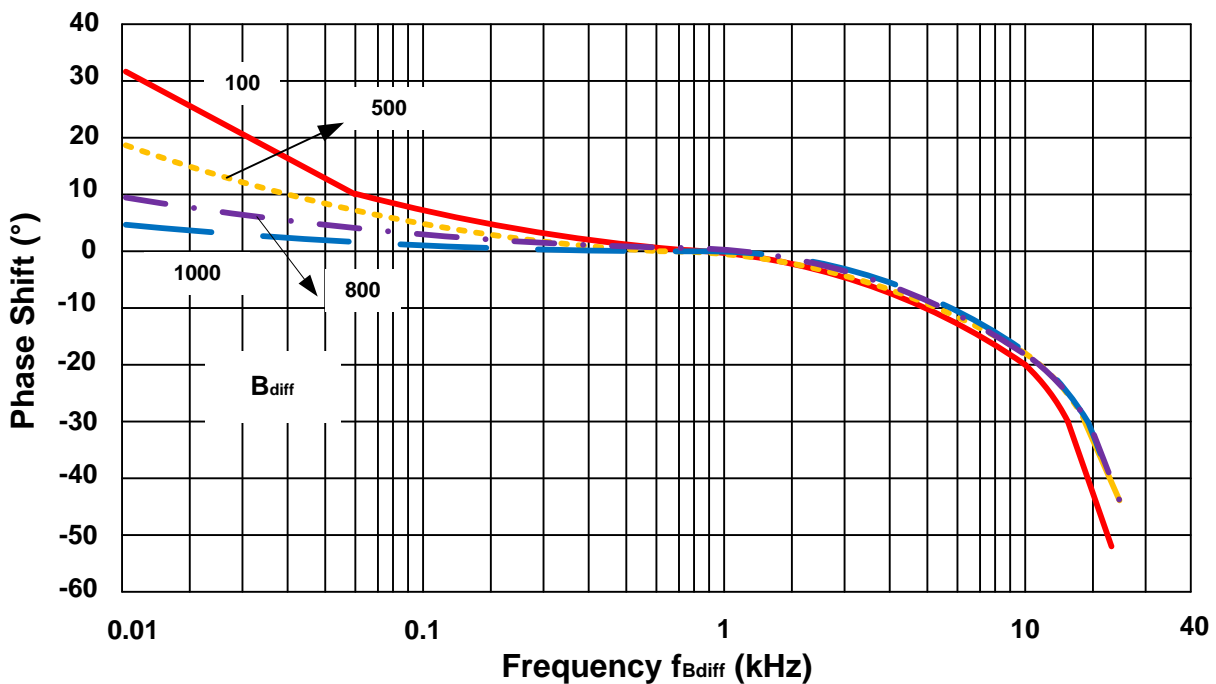


SIMULATION RESULT

Minimum Switch Fields versus Frequency



Typical Phase Shift versus Frequency



FUNCTIONAL DESCRIPTION

The SC9621 sensor IC contains two integrated Hall transducers that are used to differentially respond to a magnetic field across the surface of the IC. The trigger switches the output off (output high) when the differential magnetic field crosses zero while increasing in strength (referred to positive direction), and switches the output on (output low) when the differential magnetic field crosses zero while decreasing (the negative direction).

The operation is achieved through the use of two separate comparators. Both comparators use the same reference point, 0 G, to provide high accuracy, but one comparator has a positive hysteresis, B_{HYS1} , and the other a negative hysteresis, B_{HYS2} . Therefore, one comparator switches (B_{OP}) at the zero crossing on an increasing differential signal and the other switches (B_{RP}) at the zero crossing on a decreasing differential signal. The hysteresis on each comparator precludes false switching on noise or target jitter.

The SC9621 can be exploited to detect toothed wheel rotation in a rough environment. Jolts against the toothed wheel and ripple have no influence on the output signal. Furthermore, the device can be operated in a two-wire as well as in a three wire-configuration.

Power Derating Description

The device must be operated below the maximum junction temperature of the device, $T_{J(max)}$. Under certain combinations of peak condition, reliable operation may require derating supplied power or improving the heat dissipation properties of the application.

The package Thermal Resistance, $R_{\theta JA}$, is figure of merit summarizing the ability of the application and device to dissipate heat from the junction, through all paths to the ambient air. Its primary component is a Effective Thermal Conductivity, K , of the printed circuit board, including adjacent devices and traces. Radiation from the die through the device case, $R_{\theta JC}$, is relatively small component of $R_{\theta JA}$. Ambient air temperature, T_A , and air motion are significant external factors, damped by over-molding.

The effect of varying power levels (*Power Dissipation, P_D*), can be estimated. The following formulas represent the fundamental relationships used to estimate T_J , at P_D .

$$P_D = V_{DD} \times I_{DD} \quad (1)$$

$$\Delta T = P_D \times R_{\theta JA} \quad (2)$$

$$T_J = T_A + \Delta T \quad (3)$$

For example $T_A = 25^\circ\text{C}$, $V_{DD} = 5\text{V}$, $I_{DD} = 6.5\text{mA}$, $R_{\theta JA} = 177^\circ\text{C/W}$.

$$P_D = V_{DD} \times I_{DD} = 5\text{V} \times 6.5\text{mA} = 32.5\text{mW}$$

$$\Delta T = P_D \times R_{\theta JA} = 32.5\text{mW} \times 177^\circ\text{C/W} = 5.8^\circ\text{C}$$

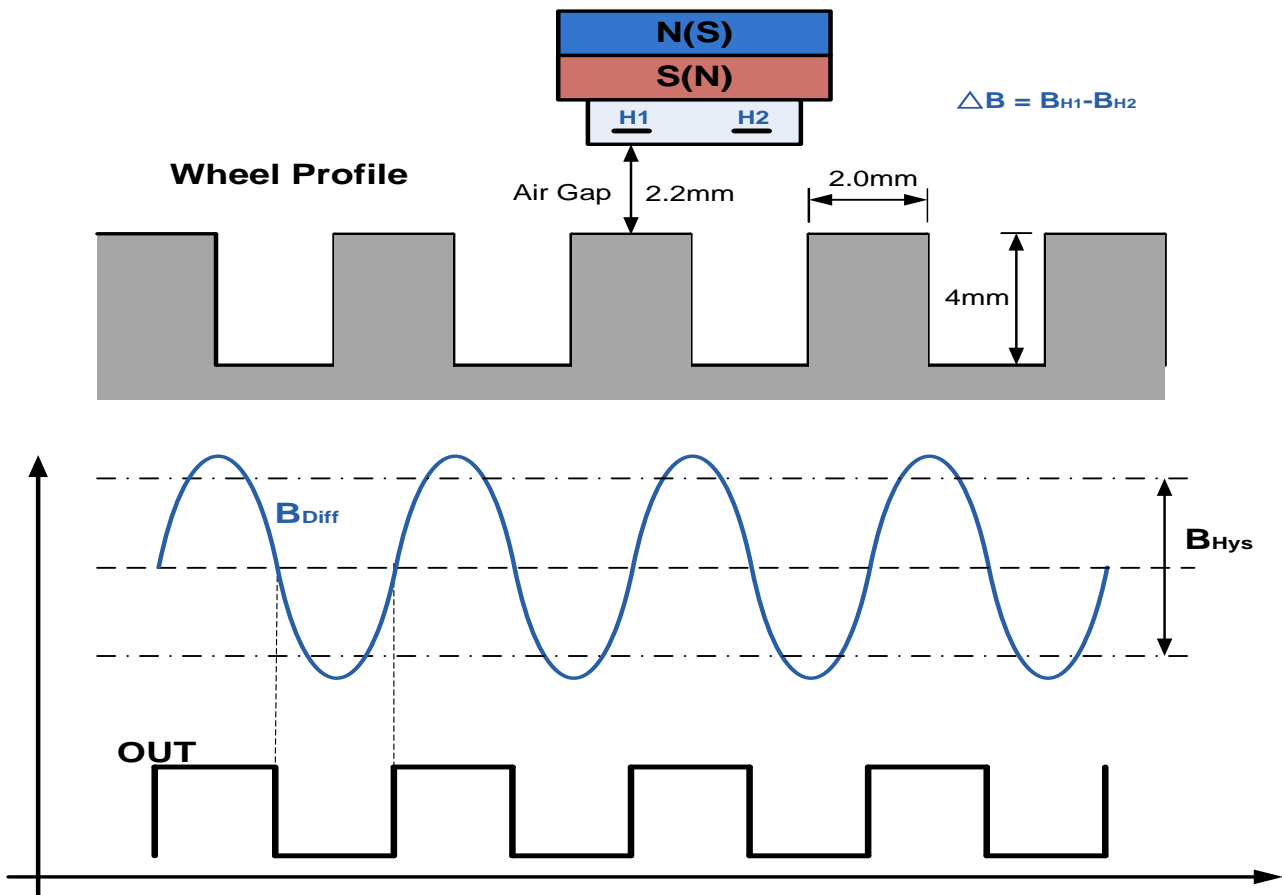
$$T_J = T_A + \Delta T = 25^\circ\text{C} + 5.8^\circ\text{C} = 30.8^\circ\text{C}$$

Gear Tooth Sensing

In the case of ferromagnetic toothed wheel application, the IC has to be biased by the South or North pole of a permanent magnet which should cover both Hall probes

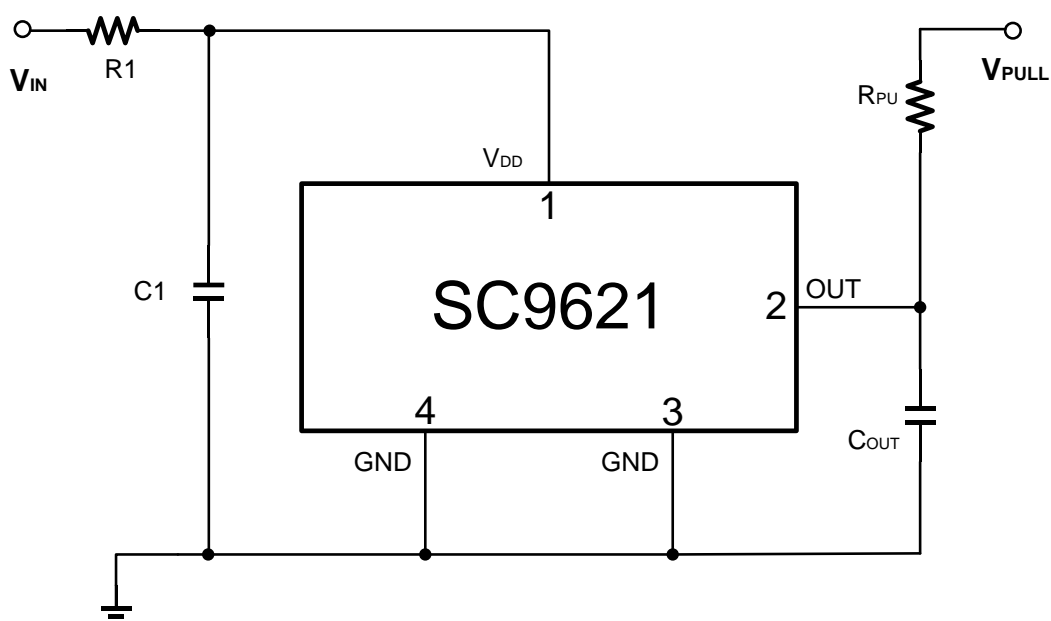
The maximum air gap depends on

- the magnetic field strength (magnet used; pre-induction), and
- the toothed wheel that is used (dimensions, material, etc.)



TYPICAL APPLICATION

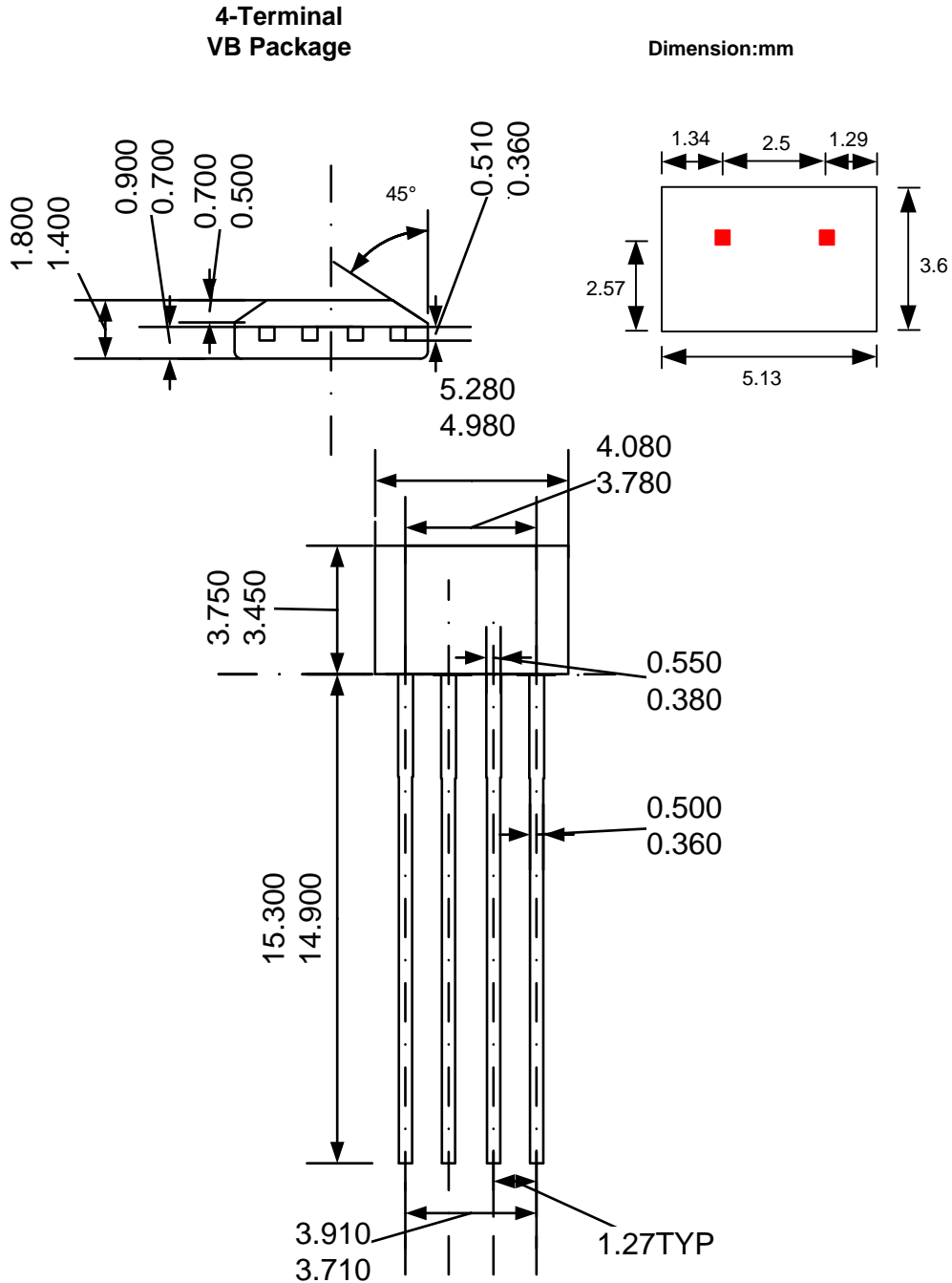
The SC9621 contains an on-chip voltage regulator and can operate over a wide supply voltage range. In applications that operate the device from an unregulated power supply, transient protection must be added externally, EMI/RFI protection may still be required.



| Component | Value | Units |
|-------------------|-------|-------|
| R _{PU} | 2 | kΩ |
| R1 | 100 | Ω |
| C1 | 100 | nF |
| C _{OUT1} | 1.0 | nF |

1. R1, C1 is for improved EMC performance

PACKAGE INFORMATION



Notes:

1. Exact body and lead configuration at vendor's option within limits shown.
2. Height does not include mold gate flash.

Where no tolerance is specified, dimension is nominal.

REVISION HISTORY

| Revision | Date | Description |
|----------|------------|-------------------------------------|
| Rev0.1 | 2017-08-19 | Preliminary datasheet |
| Rev2.3 | 2019-08-06 | The final revision of old datasheet |
| RevA/1.0 | 2020-12-20 | Unified datasheet format |

单击下面可查看定价，库存，交付和生命周期等信息

[>>Semiment \(赛卓电子\)](#)