
High Sensitive Digital-Latch Hall Effect Sensor with Internal Pull-up Resistor

FEATURES

- Built-in pull-up resistor
- High chopping frequency
- Supports a wide voltage range
 - 2.5 to 24V
 - Operation from unregulated supply
- Wide operating temperature range
- Factory-programmed at end-of-line for optimum
- Reverse battery protection
- Over-voltage protection at all pins
- Solid-state reliability
- Small package
 - 3-pin SIP -(UA)
 - 3-pin SOT23 -(SO)

APPLICATIONS

- Power tools
- Flow meters
- Valve and solenoid status
- BLDC motors with sensors
- Proximity sensing
- Tachometers

DESCRIPTION

The SC224X family, produced with BiCMOS technology, is a chopper-stabilized Hall Effect Sensor that offers a magnetic sensing solution with superior sensitivity stability over temperature and integrated protection features.

Superior high-temperature performance is made possible through dynamic offset cancellation, which reduces the residual offset voltage normally caused by device over molding, temperature dependencies, and thermal stress. Each device includes on a single silicon chip a voltage regulator, Hall-voltage generator, small-signal amplifier, chopper stabilization, Schmitt trigger, and an output circuit.

An onboard regulator permits with supply voltages of 2.5 to 24V which makes the device suitable for a wide range of industrial and automotive applications

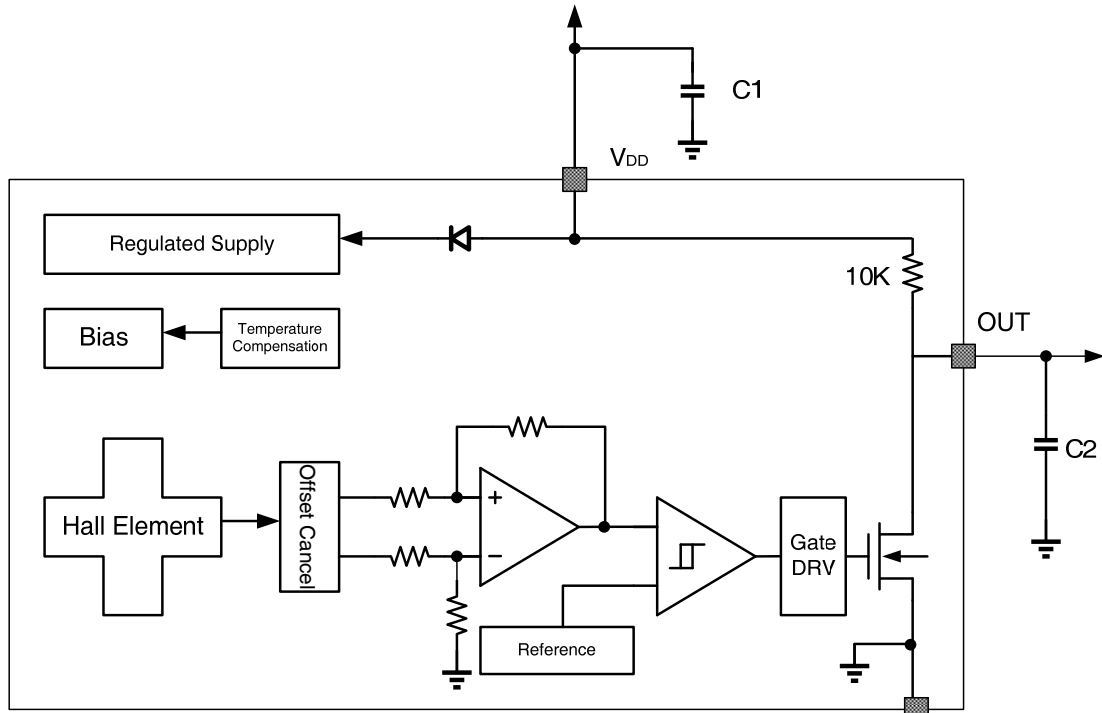
The device is available in a 3-pin SIP package (UA) and a 3-pin SOT-23 style package (SO). Both are lead (Pb) free, with 100% matte tin lead frame plating.



CONTENTS

FEATURES	- 1 -	OPERATING CHARACTERISTICS	- 7 -
APPLICATIONS	- 1 -	TYPICAL CHARACTERISTICS	- 9 -
DESCRIPTION	- 1 -	FUNCTION DESCRIPTION	- 10 -
BLOCK DIAGRAM	- 3 -	TYPICAL APPLICATION	- 12 -
ORDERING INFORMATION	- 4 -	PACKAGE INFORMATION “UA”	- 13 -
TERMINAL CONFIGURATION	- 5 -	PACKAGE INFORMATION “SO”	- 14 -
ABSOLUTE MAXIMUM RATINGS	- 6 -	REVISION HISTORY	- 15 -
ESD PROTECTION	- 6 -		
THERMAL CHARACTERISTICS	- 6 -		

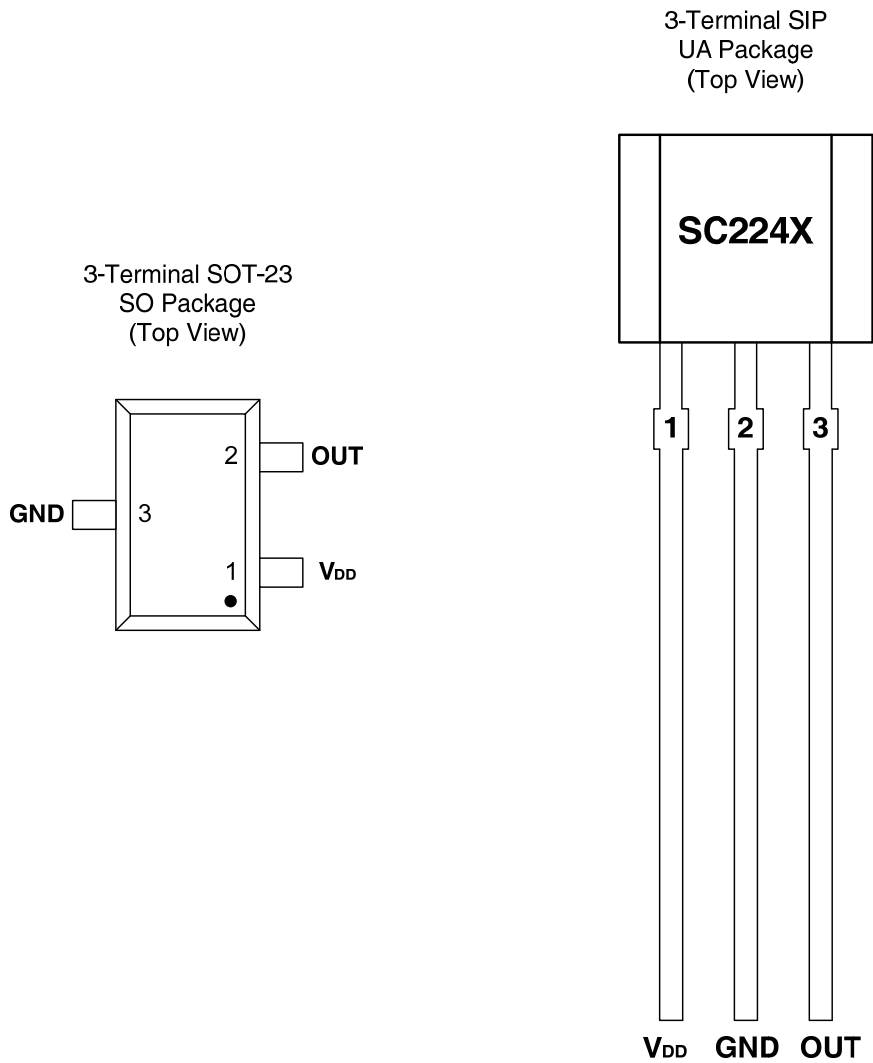
BLOCK DIAGRAM



ORDERING INFORMATION

Part Number	Packing	Mounting	Ambient, T _A	B _{OP} (Typ.)	B _{RP} (Typ.)
SC2242UA	Bulk, 1000pieces/bag	3-pin SIP	-40°C to 150°C	+2.0mT	-2.0mT
SC2242SO	Reel, 3000pieces/reel	3-pin SOT23			
SC2246UA	Bulk, 1000 pieces/bag	3-pin SIP	-40°C to 150°C	+4.0mT	-4.0mT
SC2246SO	Reel, 3000pieces/reel	3-pin SOT23			
SC2248UA	Bulk, 1000 pieces/bag	3-pin SIP	-40°C to 150°C	+8.0mT	-8.0mT
SC2248SO	Reel, 3000pieces/reel	3-pin SOT23			

TERMINAL CONFIGURATION



Terminal		Type	Description
Name	Number		
	UA	SO	
V _{DD}	1	1	2.5V ~24 V power supply
GND	2	3	Ground terminal
OUT	3	2	Internal pull-up resistor

ABSOLUTE MAXIMUM RATINGS

over operating free-air temperature range (unless otherwise noted) ⁽¹⁾

Parameter	Symbol	Min.	Max.	Units
Power supply voltage	V _{DD}	-28 ⁽²⁾	28	V
Output terminal voltage	V _{OUT}	-0.5	28	V
Output terminal current sink	I _{SINK}	0	30	mA
Operating ambient temperature	T _A	-40	150	°C
Maximum junction temperature	T _J	-55	165	°C
Storage temperature	T _{STG}	-65	175	°C

⁽¹⁾ Stresses above those listed here may cause permanent damage to the device. Exposure to absolute maximum rating conditions for extended periods may affect device reliability.

⁽²⁾ Ensured by design.

ESD PROTECTION

Human Body Model (HBM) tests according to: standard AEC-Q100-002

Parameter	Symbol	Min.	Max.	Units
ESD-Protection	V _{ESD}	-4	4	kV

THERMAL CHARACTERISTICS

Symbol	Parameter	Test Conditions	Rating	Units
R _{θJA}	UA Package thermal resistance	Single-layer PCB, with copper limited to solder pads	166	°C/W
R _{θJA}	SO Package thermal resistance	Single-layer PCB, with copper limited to solder pads	228	°C/W

OPERATING CHARACTERISTICS

Electric Characteristics

over operating free-air temperature range ($V_{DD} = 5.0V$, unless otherwise noted)

Symbol	Parameter	Test Conditions	Min.	Typ.	Max.	Units
V_{DD}	Operating voltage ⁽¹⁾	$T_J < T_{J(Max.)}$	2.5	--	24	V
V_{DDR}	Reverse supply voltage	$I_{DD} < -10mA$, $T_A=25^\circ C$	-28	--	--	V
$I_{DD (off)}$	Operating supply current	$V_{DD}=2.5$ to 24 V, $T_A=25^\circ C$	1.2	1.6	2.0	mA
$I_{DD (on)}$		$V_{DD}=2.5$ to 24 V, $T_A=25^\circ C$	1.2	2.8	4.8	mA
t_{on}	Power-on time		--	25	40	μS
R_{UP}	Internal pull-up resistor		5.0	10	15	$K \Omega$
I_{QL}	Off-state leakage current	Output Hi-Z	--	--	3	μA
$R_{DS (on)}$	FET on-resistance	$V_{DD}=5V$, $I_o=10mA$, $T_A=25^\circ C$	--	20	--	Ω
		$V_{DD}=5V$, $I_o=10mA$, $T_A=125^\circ C$	--	30	--	Ω
t_d	Output delay time	$B=B_{RP}$ to B_{OP}	--	15	25	μS
t_r	Output rise time (10% to 90%)	$R1=1Kohm$ $Co=50pF$	--	0.2	0.5	μS
t_f	Output fall time (90% to 10%)	$R1=1Kohm$ $Co=50pF$	--	0.1	0.2	μS

⁽¹⁾ Maximum voltage must be adjusted for power dissipation and junction temperature, see Thermal Characteristics

Magnetic Characteristics

over operating free-air temperature range (unless otherwise noted)

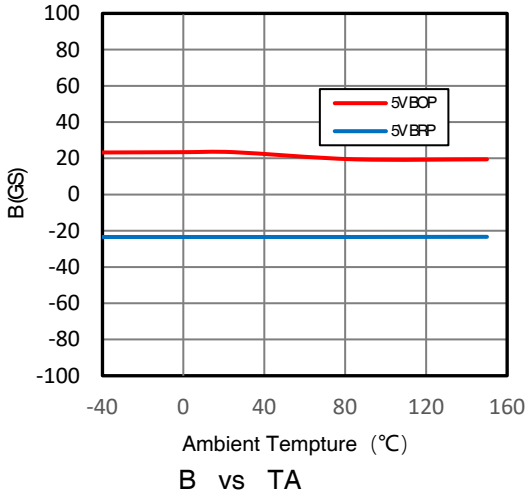
Symbol	Parameter	Test Conditions	Min.	Typ.	Max.	Units
f _{BW}	Bandwidth		20	--	--	kHz
SC2442 +2.0 / -2.0 mT						
B _{OP}	Operated point	T _A =-40°C to 150°C	+0.5	+2.0	+3.5	mT
B _{RP}	Release point		-3.5	-2.0	-0.5	mT
B _{HYS}	Hysteresis		2.0	4.0	6.0	mT
B _O	Magnetic offset	B _O =(B _{OP} +B _{RP})/2	-1.0	0	+1.0	mT
SC2446 +4.0 / -4.0 mT						
B _{OP}	Operated point	T _A =-40°C to 150°C	+2.0	+4.0	+6.0	mT
B _{RP}	Release point		-6.0	-4.0	-2.0	mT
B _{HYS}	Hysteresis		6.0	8.0	10.0	mT
B _O	Magnetic offset	B _O =(B _{OP} +B _{RP})/2	-2.0	0	+2.0	mT
SC2448 +8.0 / -8.0 mT						
B _{OP}	Operated point	T _A =-40°C to 150°C	+6.0	+8.0	+10.0	mT
B _{RP}	Release point		-10.0	-8.0	-6.0	mT
B _{HYS}	Hysteresis		14.0	16.0	18.0	mT
B _O	Magnetic offset	B _O =(B _{OP} +B _{RP})/2	-2.0	0	+2.0	mT

⁽¹⁾1mT=10Gs

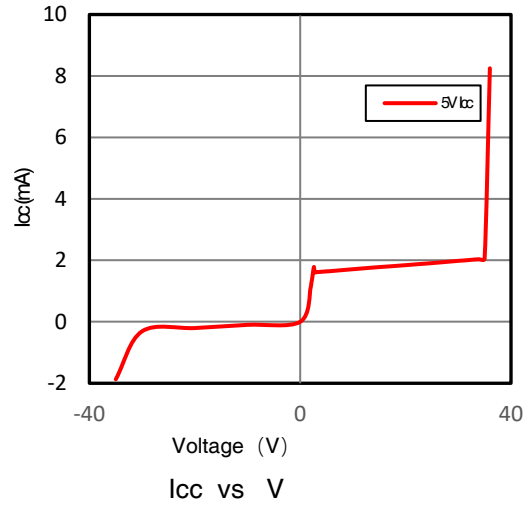
⁽²⁾ Magnetic flux density, B, is indicated as a negative value for North-polarity magnetic fields, and as a positive value for South-polarity magnetic fields.

TYPICAL CHARACTERISTICS

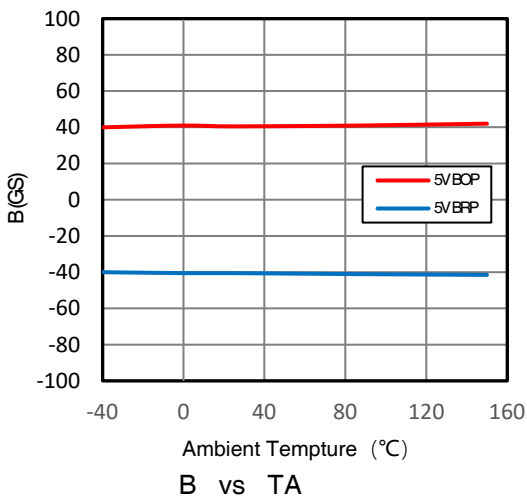
SC2242



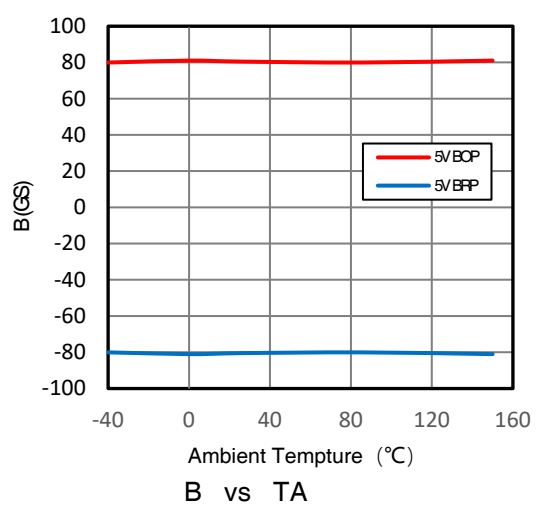
SC2242/6/8



SC2246



SC2248



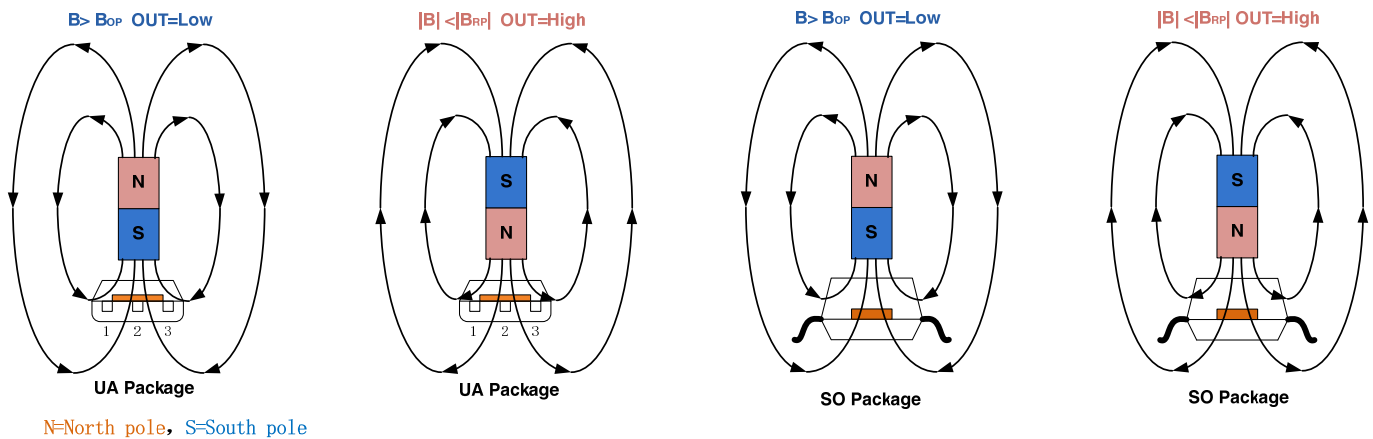
FUNCTION DESCRIPTION

The SC224X device is a chopper-stabilized Hall sensor with a digital latched output for magnetic sensing applications. The device can be powered with a supply voltage between 2.5 and 24V, and continuously survives continuous -28V reverse-battery conditions.

The output of SC224X switches low (turns on) when a magnetic field (South polarity) perpendicular to the Hall element exceeds the operate point threshold, B_{OP} . After turn-on, the output is capable of sinking 20mA and the output voltage is $V_{Q(sat)}$. When the magnetic field is reduced below the release point, B_{RP} , the device output goes high (turns off). The difference in the magnetic operate and release points is the hysteresis, B_{HYS} , of the device. This built-in hysteresis allows clean switching of the output even in the presence of external mechanical vibration and electrical noise.

Field Direction Definition

A positive magnetic field is defined as a South pole near the marked side of the package.



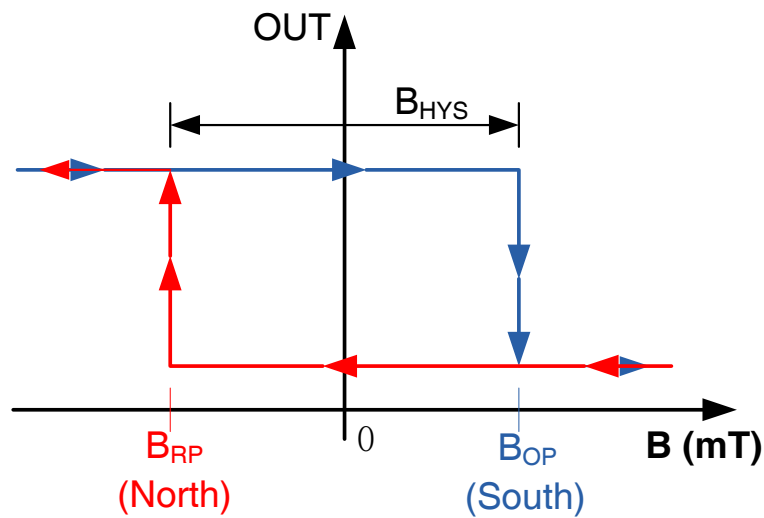
Transfer Function

Powering-on the device in the hysteresis region, less than B_{OP} and higher than B_{RP} , allows an indeterminate output state. The correct state is attained after the first excursion beyond B_{OP} or B_{RP} . If the field strength is greater than B_{OP} , then the output is pulled low. If the field strength is less than B_{RP} , the output is released.

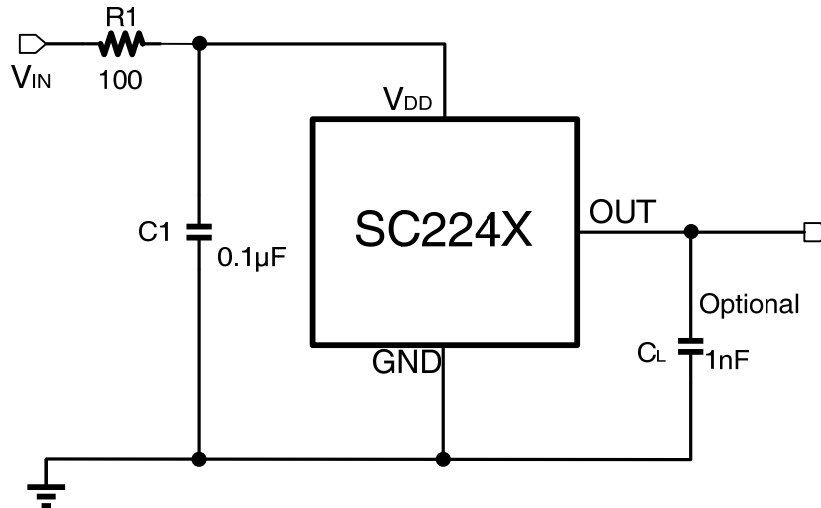
B_{OP} —magnetic threshold for activation of the device output, turning in ON (low) state

B_{RP} —magnetic threshold for release of the device output, turning in OFF (high) state.

$$B_{HYS} = B_{OP} - B_{RP}$$



TYPICAL APPLICATION



The SC224X contains an on-chip voltage regulator and can operate over a wide supply voltage range. In applications that operate the device from an unregulated power supply, transient protection must be added externally. For applications using a regulated line, EMI/RFI protection may still be required. It is recommended to shunt C1 capacitors to the ground near the chip V_{DD} power supply, with a typical value of 0.1 μF. At the same time in the external optional series resistor R1 their typical values for 100 Ω. The output capacitor C_L is used as the output filter, typically 1 nF.

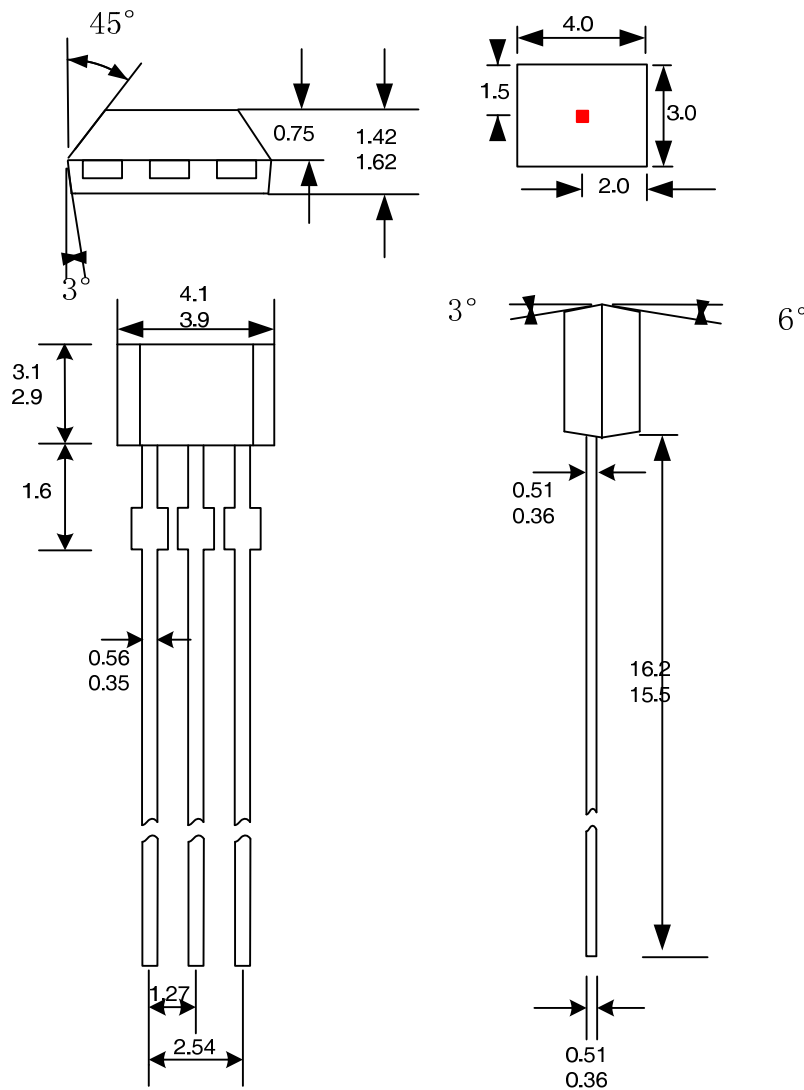
Select a value for C_L based on the system bandwidth specifications as, R=10k Ω :

$$C_L = \frac{1}{2\pi \times R \times f \text{ (Hz)}}$$

PACKAGE INFORMATION “UA”

**3-Terminal
UA Package**

Dimension:mm



Notes:

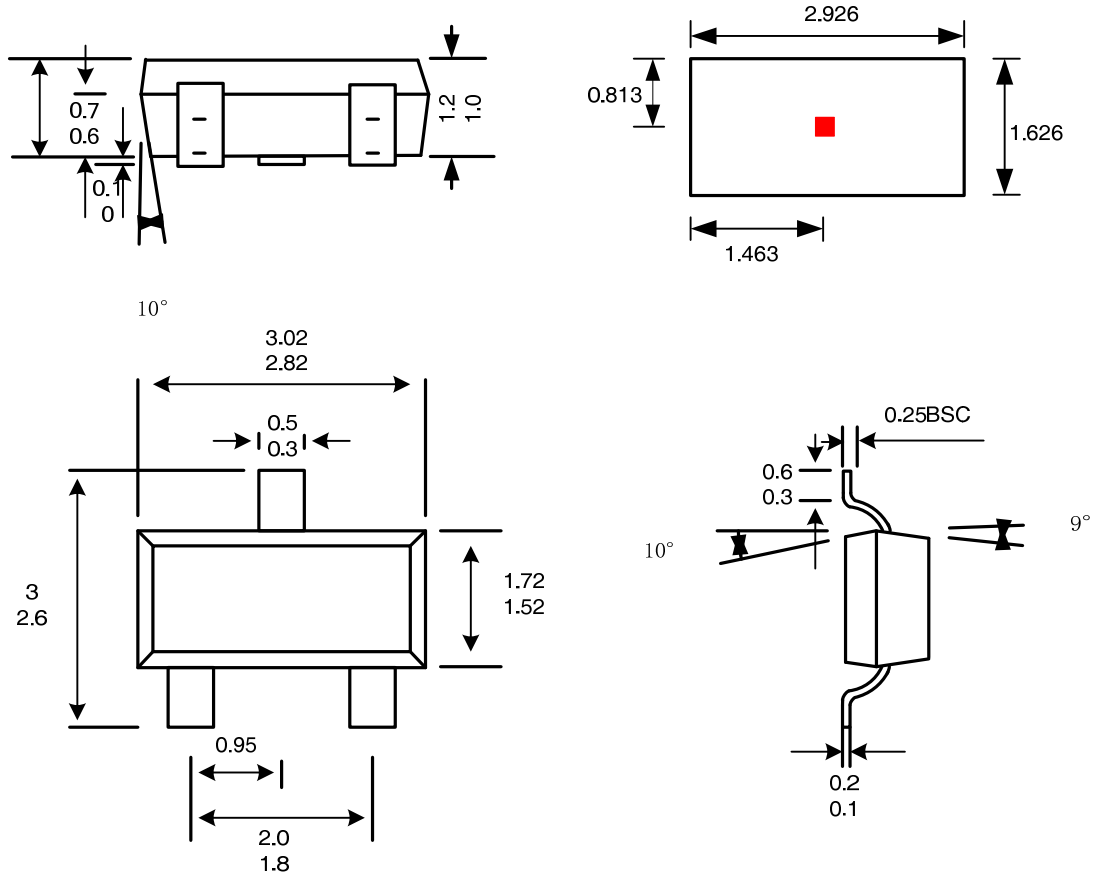
1. Exact body and lead configuration at vendor's option within limits shown.
2. Height does not include mold gate flash.

Where no tolerance is specified, dimension is nominal.

PACKAGE INFORMATION “SO”

**3-Terminal
SO Package**

Dimension:mm



Notes:

1. Exact body and lead configuration at vendor's option within limits shown.
2. Height does not include mold gate flash.

Where no tolerance is specified, dimension is nominal.

REVISION HISTORY

Revision	Date	Description
Rev0.1	2017-07-21	Preliminary datasheet
Rev2.3	2019-08-11	The final revision of old datasheet
Rev.A/1.0	2020-11-19	Unified datasheet format
Rev.A/1.1	2024-05-12	Update EC table

单击下面可查看定价，库存，交付和生命周期等信息

[>>Semiment \(赛卓电子\)](#)