

GENERAL DESCRIPTION

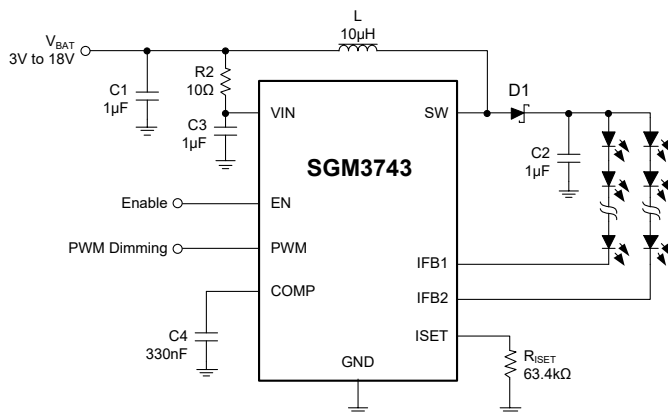
The SGM3743 is a 2-channel white LED driver with high efficiency boost regulator. With an internal 40V/1.5A power MOSFET, it is well suited for smart phone backlight applications powered by 1-cell Li-Ion battery. The supply voltage operates from 3V to 18V.

The boost output has an adaptive voltage regulation with enough low headroom voltage. The SGM3743 is capable of driving up to 10S2P white LEDs while achieving high efficiency. It supports both PWM dimming control and one-wire digital dimming control. A programmable 9-bit brightness code allows for LED brightness control.

The SGM3743 includes a comprehensive set of protection features such as 38.5V over-voltage protection, over-current protection and thermal shutdown. Built-in soft-start circuitry avoids excessive inrush current during startup.

The SGM3743 is available in a Green WLCSP -1.32×1.32-9B package. It operates over an ambient temperature range of -40°C to +85°C.

TYPICAL APPLICATION CIRCUIT



FEATURES

- Input Voltage Range: 3V to 18V
- Support up to 30mA Current per String
- Integrated 40V/1.5A MOSFET
- Up to 90% Efficiency
- Adaptive Boost Regulator
- Switching Frequency: 1.2MHz
- Optimized Rise Time and Fall Time to Reduce EMI on SW Pin
- 1% Regulated LED Current Matching and Accuracy
- Very Low Headroom Voltage: 90mV
- Independent Digital and PWM Dimming Control
- One-Wire Digital Dimming Interface
- PWM Dimming Interface
- Up to 9-Bit Resolution for LED Brightness
- Automatic Soft-Start for Reducing Inrush Current
- Dimming Stable in More than 1:500 PWM Range
- PFM Mode at Light Load
- Support 4.7µH Inductor
- Protection Features
 - ♦ Over-Voltage Protection
 - ♦ LED Open or Short Protection
 - ♦ Thermal Shutdown
- -40°C to +85°C Operating Temperature Range
- Available in a Green WLCSP-1.32×1.32-9B Package

APPLICATIONS

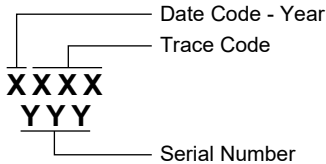
- Smart Phones
- GPS Receivers
- Handheld Devices
- Backlight for Media Form Factor
- LCD Displays with 1-Cell Battery

PACKAGE/ORDERING INFORMATION

MODEL	PACKAGE DESCRIPTION	SPECIFIED TEMPERATURE RANGE	ORDERING NUMBER	PACKAGE MARKING	PACKING OPTION
SGM3743	WLCSP-1.32×1.32-9B	-40°C to +85°C	SGM3743YG/TR	XXXX G06	Tape and Reel, 3000

MARKING INFORMATION

NOTE: XXXX = Date Code and Trace Code.



Green (RoHS & HSF): SG Micro Corp defines "Green" to mean Pb-Free (RoHS compatible) and free of halogen substances. If you have additional comments or questions, please contact your SGMICRO representative directly.

ABSOLUTE MAXIMUM RATINGS

VIN.....	0.3V to 20V
EN, PWM to GND	-0.3V to 6V
COMP, ISET to GND	-0.3V to 3V
SW, IFB1, IFB2 to GND	-0.3V to 40V
Junction Temperature.....	+150°C
Storage Temperature Range	-65°C to +150°C
Lead Temperature (Soldering 10s).....	+260°C
ESD Susceptibility	
HBM	4000V
MM	200V
CDM	1000V

RECOMMENDED OPERATING CONDITIONS

Supply Voltage Range	3V to 18V
Operating Temperature Range	-40°C to +85°C
Operating Junction Temperature Range, T _J	-40°C to +125°C

OVERSTRESS CAUTION

Stresses beyond those listed in Absolute Maximum Ratings may cause permanent damage to the device. Exposure to absolute maximum rating conditions for extended periods may affect reliability. Functional operation of the device at any conditions beyond those indicated in the Recommended Operating Conditions section is not implied.

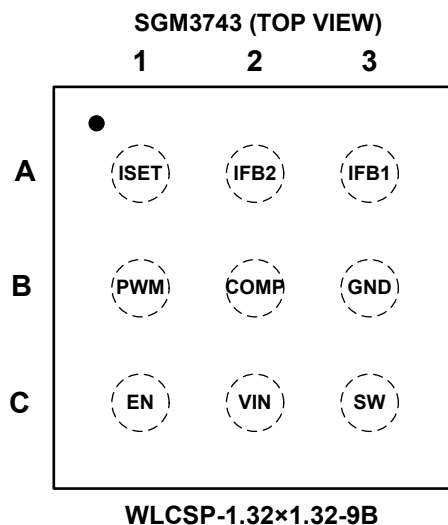
ESD SENSITIVITY CAUTION

This integrated circuit can be damaged if ESD protections are not considered carefully. SGMICRO recommends that all integrated circuits be handled with appropriate precautions. Failure to observe proper handling and installation procedures can cause damage. ESD damage can range from subtle performance degradation to complete device failure. Precision integrated circuits may be more susceptible to damage because even small parametric changes could cause the device not to meet the published specifications.

DISCLAIMER

SG Micro Corp reserves the right to make any change in circuit design, or specifications without prior notice.

PIN CONFIGURATION



PIN DESCRIPTION

PIN	NAME	I/O	FUNCTION
A1	ISET	I	Current Setting Pin. Connect an external resistor from this pin to ground to set the maximum LED current.
A2	IFB2	I	Regulated Current Sink 2.
A3	IFB1	I	Regulated Current Sink 1.
B1	PWM	I	PWM Dimming Input.
B2	COMP	O	Transconductance Error Amplifier Output. Connect an external capacitor from COMP to ground to compensate the converter.
B3	GND	O	Ground Pin.
C1	EN	I	Enable Control and One-Wire Digital Dimming Input.
C2	VIN	I	Input Supply Pin.
C3	SW	I	Drain Connection for Internal Low-side N-Channel MOSFET.

ELECTRICAL CHARACTERISTICS

(V_{IN} = 3.6V, EN = high, PWM = high, I_{FB} = 20mA, Full = -40°C to +85°C, typical values are at T_A = +25°C, unless otherwise specified.)

PARAMETER	SYMBOL	CONDITIONS	TEMP	MIN	TYP	MAX	UNITS
Power Supply							
Input Voltage Range	V _{IN}		+25°C	3		18	V
Operating Quiescent Current into VIN	I _Q	Device enable, switching 1.2MHz and no load, V _{IN} = 3.6V	+25°C		1.2	1.7	mA
Shutdown Current	I _{SD}	EN = low	+25°C		0.4	1	μA
Under-Voltage Lockout Threshold	UVLO	V _{IN} falling	+25°C		2.25	2.45	V
		V _{IN} rising	+25°C		2.35		
Under-Voltage Lockout Hysteresis	V _{HYS}		+25°C		100		mV
EN and PWM							
EN/PWM Threshold	Logic High Voltage	V _{IH}	Full	1.6			V
	Logic Low Voltage	V _{IL}	Full			0.3	V
EN Pin and PWM Pin Internal Pull-Down Resistor	R _{PD}		+25°C		800		kΩ
PWM Logic Low Width to Shutdown	t _{PWM_SD}	PWM high to low	+25°C	40			ms
EN Logic Low Width to Shutdown	t _{EN_SD}	EN high to low	+25°C	5			ms
PWM Dimming Signal Frequency	f _{PWM}		+25°C	10		100	kHz
Minimum PWM On-Time	t _{PWM_ON(MIN)}		+25°C	30			ns
Regulation							
ISET Pin Voltage	V _{ISET_FULL}	Full brightness	Full	1.18	1.213	1.24	V
Current Multiplier	K _{ISET_FULL}	Full brightness	+25°C		1050		
Current Accuracy	I _{FB_AVG}	I _{ISET} = 20μA, D = 100%	+25°C	-3.5	1	3.5	%
(I _{MAX} - I _{AVG}) / I _{AVG}	K _M	D = 100%	+25°C		1	2	%
Current Sink Max Output Current	I _{IFB_MAX}	I _{ISET} = 35μA, each IFBx pin	+25°C	30			mA
Power Switch							
Switch MOSFET On-Resistance	R _{DS(ON)}	V _{IN} = 3.6V	+25°C		0.35		Ω
		V _{IN} = 3V	+25°C		0.38		
Switch MOSFET Leakage Current	I _{LEAK_SW}	V _{SW} = 35V, T _A = 25°C	+25°C		0.1	1	μA
Oscillator							
Oscillator Frequency	f _S		Full	1000	1200	1350	kHz
Maximum Duty Cycle	D _{MAX}	Measured on the drive signal of switch MOSFET	+25°C		95		%
Boost Voltage Control							
IFBx Feedback Regulation Voltage	V _{IFB_REG}	I _{IFBx} = 20mA, measured on IFBx pin which has a lower voltage	+25°C		90		mV
COMP Pin Sink Current	I _{SINK}		+25°C		12		μA
COMP Pin Source Current	I _{SOURCE}		+25°C		5		μA
Error Amplifier Transconductance	G _{EA}		+25°C		55		μmho
Error Amplifier Output Resistance	R _{EA}		+25°C		100		MΩ
Error Amplifier Crossover Frequency	f _{EA}	5pF connected to COMP pin	+25°C		1.2		MHz

ELECTRICAL CHARACTERISTICS (continued)(V_{IN} = 3.6V, EN = high, PWM = high, I_{FB} = 20mA, Full = -40°C to +85°C, typical values are at T_A = +25°C, unless otherwise specified.)

PARAMETER	SYMBOL	CONDITIONS	TEMP	MIN	TYP	MAX	UNITS
Protection							
Switch MOSFET Current Limit	I _{LIM}	D = D _{MAX}	+25°C	1.15	1.5	1.75	A
Switch MOSFET Start Up Current Limit	I _{LIM_START}	D = D _{MAX}	+25°C		0.6		A
Time Window for Half Current Limit	t _{HALF_LIM}		+25°C		6		ms
SW Pin Over-Voltage Threshold	V _{OVP_SW}		Full	37.5	38.5	39.7	V
IFBx Pin Over-Voltage Threshold	V _{OVP_IFB}	Measured on IFBx pin	+25°C		4.5		V
Digital One-Wire Interface							
One-Wire Detection Delay	t _{OW_DELAY}	Measured from EN low to high	+25°C	100			μs
One-Wire Detection Time	t _{OW_DET}	EN pin low time	+25°C	260			μs
One-Wire Detection Window ⁽¹⁾	t _{OW_WIN}	Measured from EN low to high	+25°C	1			ms
Start Time of Program Stream	t _{START}		+25°C	6			μs
End Time of Program Stream	t _{EOS}		+25°C	6		360	μs
High Time of Low Bit	t _{H_LB}	Logic 0	+25°C	6		180	μs
Low Time of Low Bit	t _{L_LB}	Logic 0	+25°C	2 × t _{H_LB}		360	μs
High Time of High Bit	t _{H_HB}	Logic 1	+25°C	2 × t _{L_HB}		360	μs
Low Time High Bit	t _{L_HB}	Logic 1	+25°C	6		180	μs
Acknowledge Valid Time	t _{valACKN}		+25°C			4	μs
Duration of Acknowledge Condition	t _{ACKN}		+25°C			512	μs
Acknowledge Output Voltage Low ⁽²⁾	V _{ACKNL}	Open drain, R _{PULL-UP} = 15kΩ to V _{IN}	+25°C			0.4	V
Thermal Shutdown							
Thermal shutdown threshold	T _{SHDN}				150		°C
Thermal shutdown hysteresis	T _{HYS}				15		°C

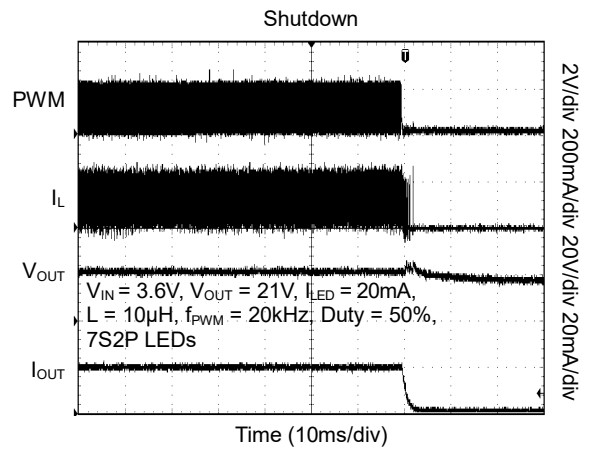
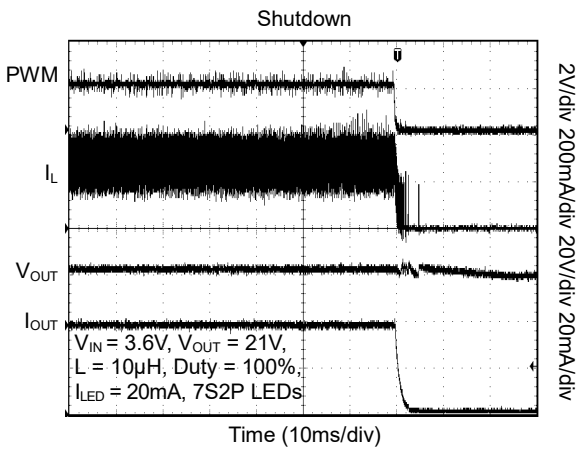
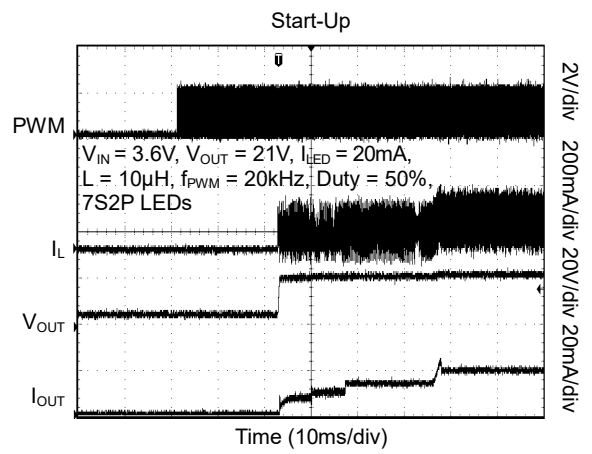
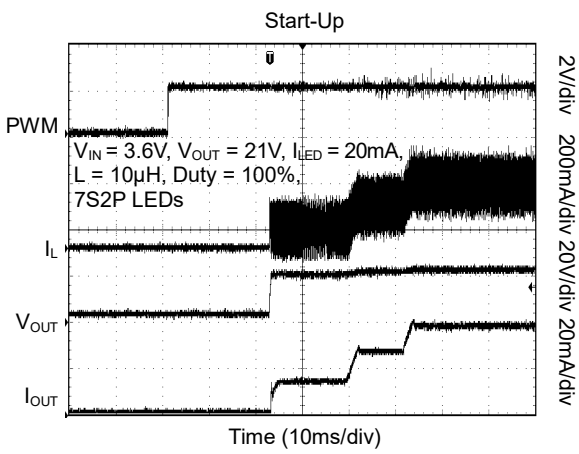
NOTES:

1. Drive the EN pin low for longer than t_{OW_DET} after t_{OW_DELAY} delay and before t_{OW_WIN} expires, in order to select one-wire digital interface.
2. This condition is only applied when RFA = 1. Use this feature only when the master has an open-drain output and the data line is required to pull high by the master through a pull-up resistor.

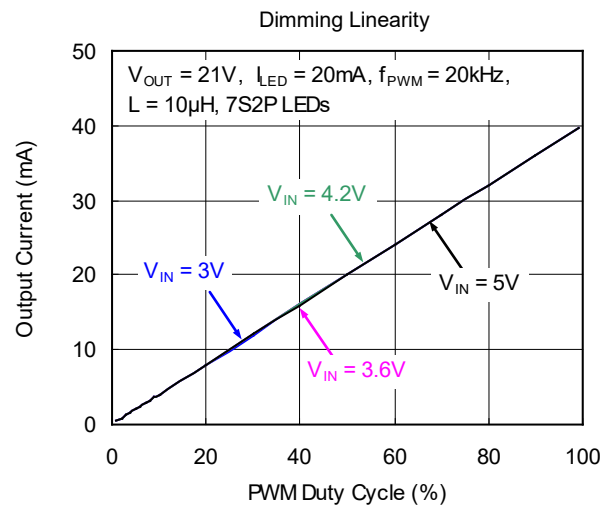
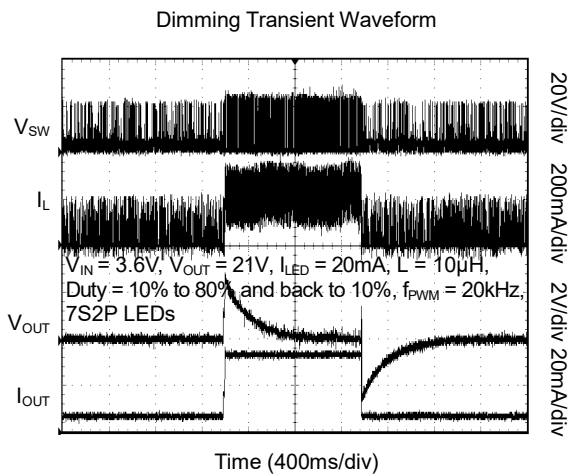
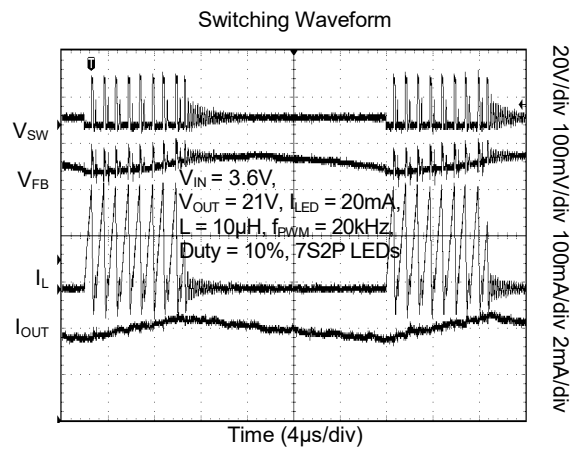
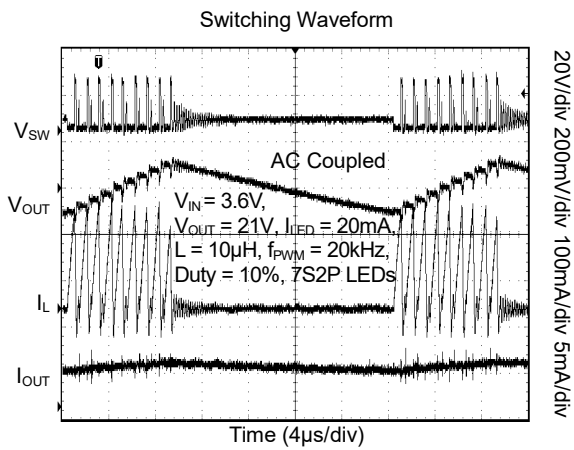
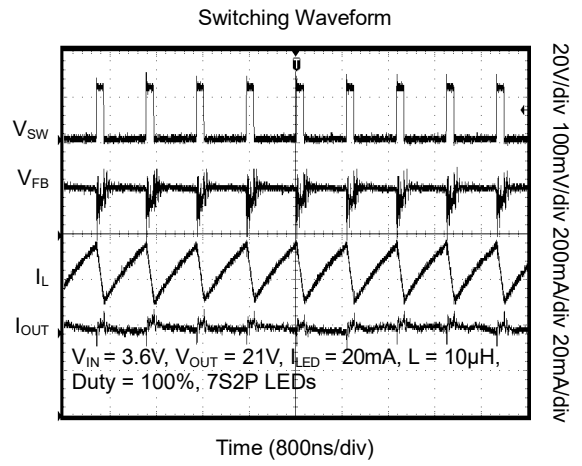
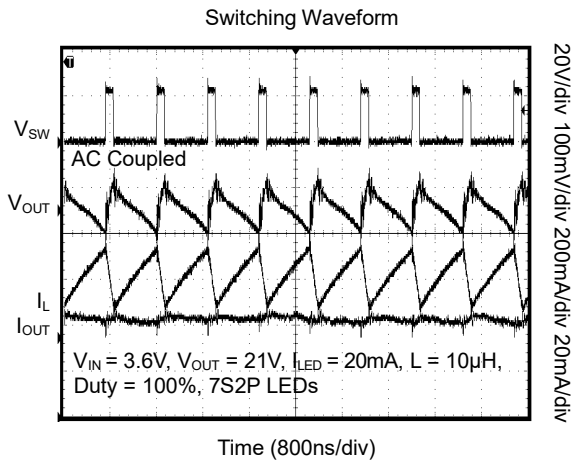
RECOMMENDED COMPONENTS OF TEST CIRCUITS

Component		Component	
Inductor	10µH/CD75NP-100KC	Capacitor	1µF/C2012X7R1H105KT
Diode	MBR0540		

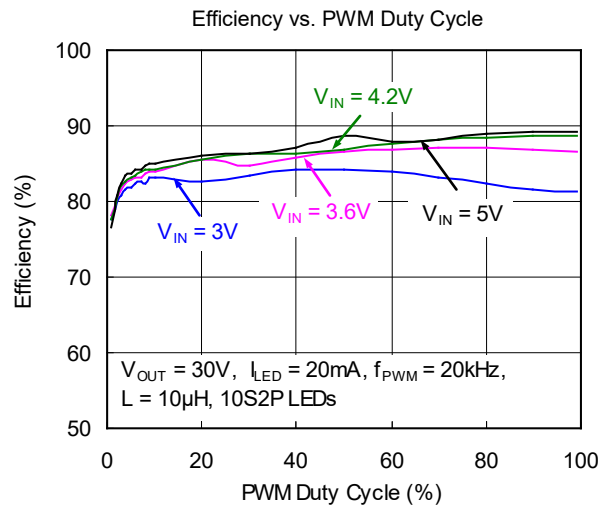
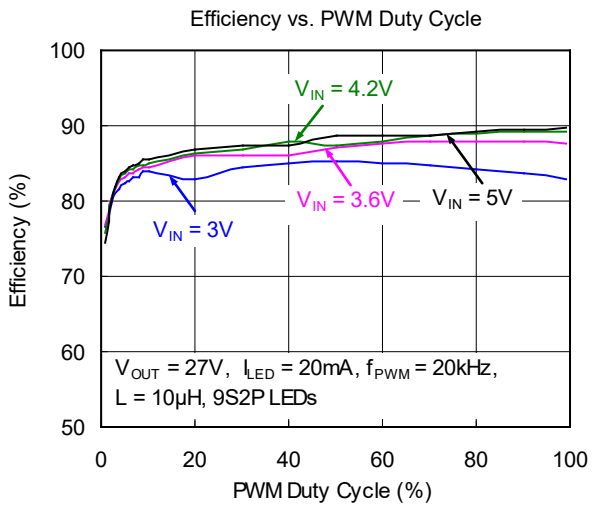
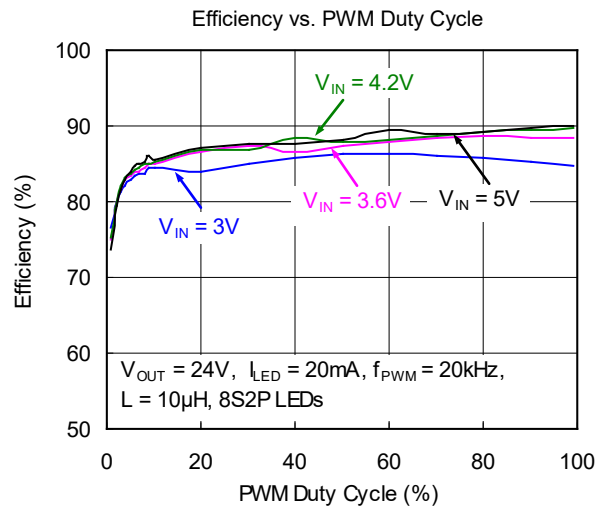
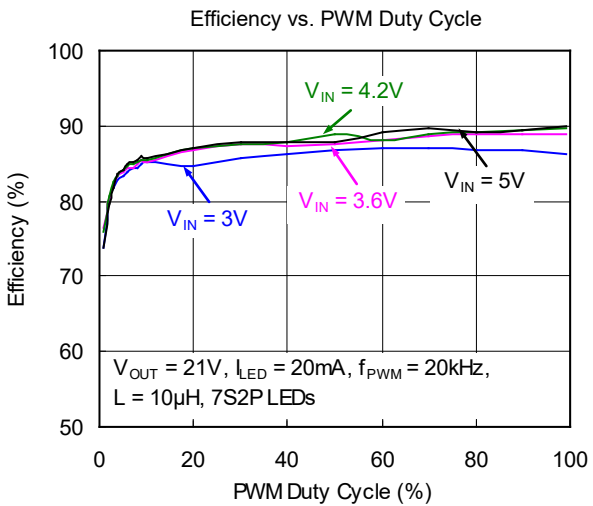
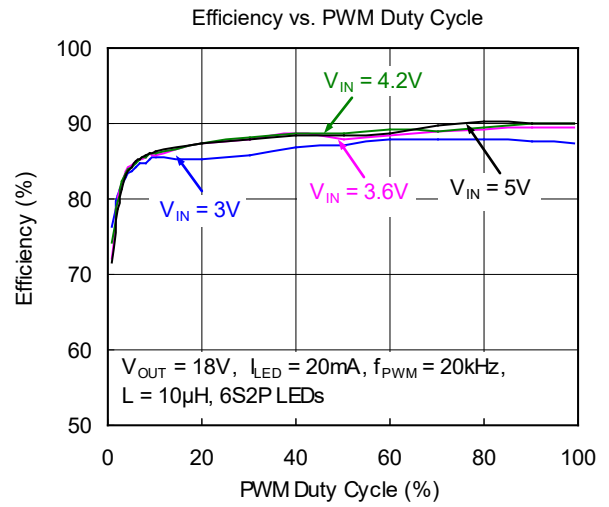
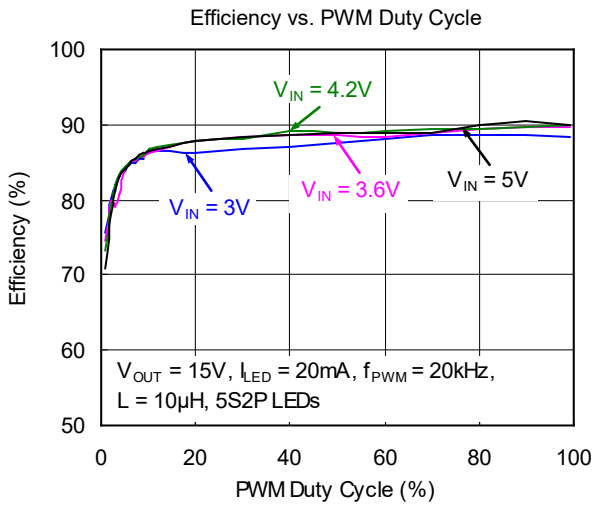
TYPICAL PERFORMANCE CHARACTERISTICS



TYPICAL PERFORMANCE CHARACTERISTICS (continued)



TYPICAL PERFORMANCE CHARACTERISTICS (continued)



DETAILED DESCRIPTION (continued)

Table 1. One-Wire Digital Interface Bit Description

BIT NUMBER	NAME	DESCRIPTION	TRANSMISSION DIRECTION
23 (MSB)	A7	Device Address: 0x8F	IN
22	A6		
21	A5		
20	A4		
19	A3		
18	A2		
17	A1		
16	A0		
15	Bit 15		
14	Bit 14		
13	Bit 13		
12	Bit 12		
11	Bit 11		
10	RFA	Request for acknowledge. If RFA = 1, the data line is pulled low when the device receives the command well. It is only used when the master has an open-drain output and the data line is required to pull high by the master through a pull-up resistor. Otherwise, do not set RFA to 1.	
9	Bit 9	Reserved. Write 0 to this bit.	
8	D8	9-bit Brightness Code	
7	D7		
6	D6		
5	D5		
4	D4		
3	D3		
2	D2		
1	D1		
0 (LSB)	D0		

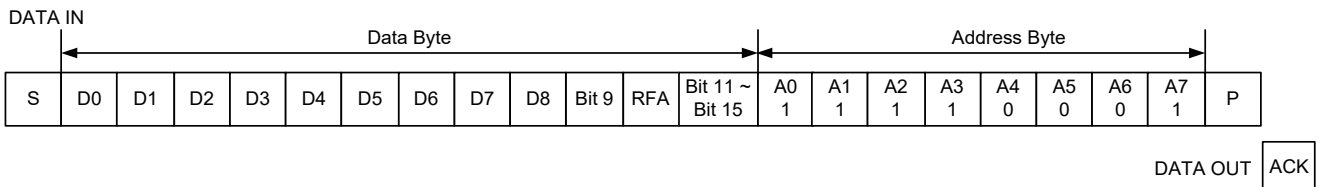


Figure 1. One-Wire Digital Interface Protocol Overview

ADDITIONAL APPLICATION CIRCUITS

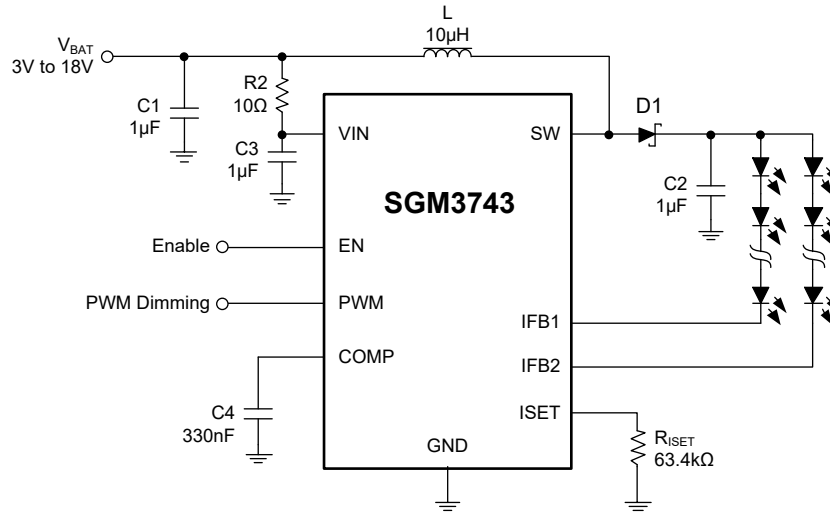


Figure 2. SGM3743 Typical Application (PWM interface enabled, EN pin can be used to enable or disable the IC)

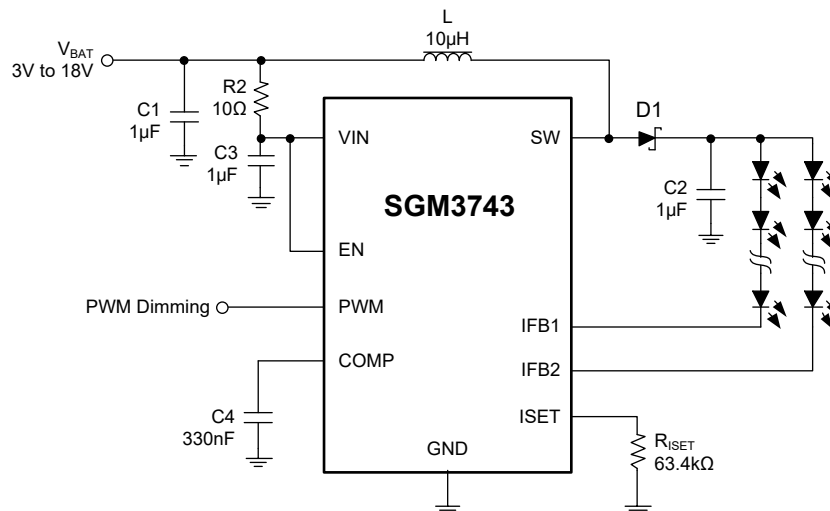


Figure 3. SGM3743 Typical Application (PWM interface enabled, EN pin connected to VIN, only PWM signal is used to enable or disable the IC)

ADDITIONAL APPLICATION CIRCUITS (continued)

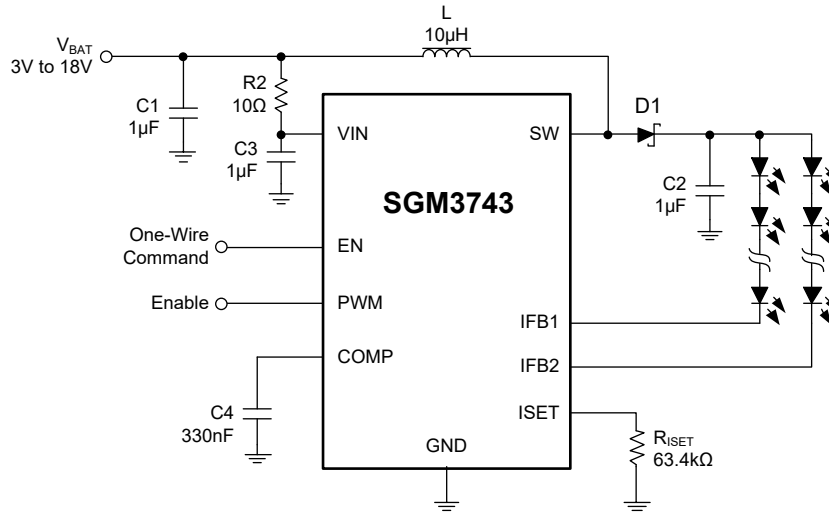


Figure 4. SGM3743 Typical Application (One-Wire digital interface enabled, PWM pin can be used to enable or disable the IC)

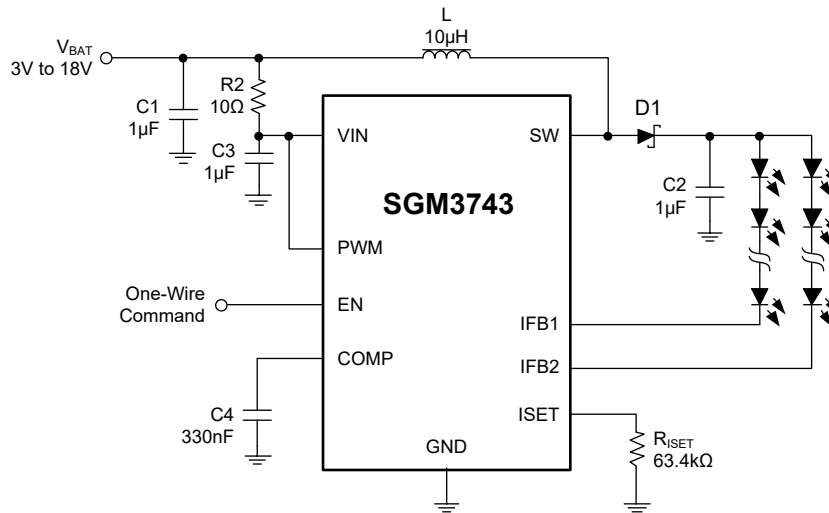


Figure 5. SGM3743 Typical Application (One-Wire digital interface enabled, PWM pin connected to VIN, only EN signal is used to enable or disable the IC)

REVISION HISTORY

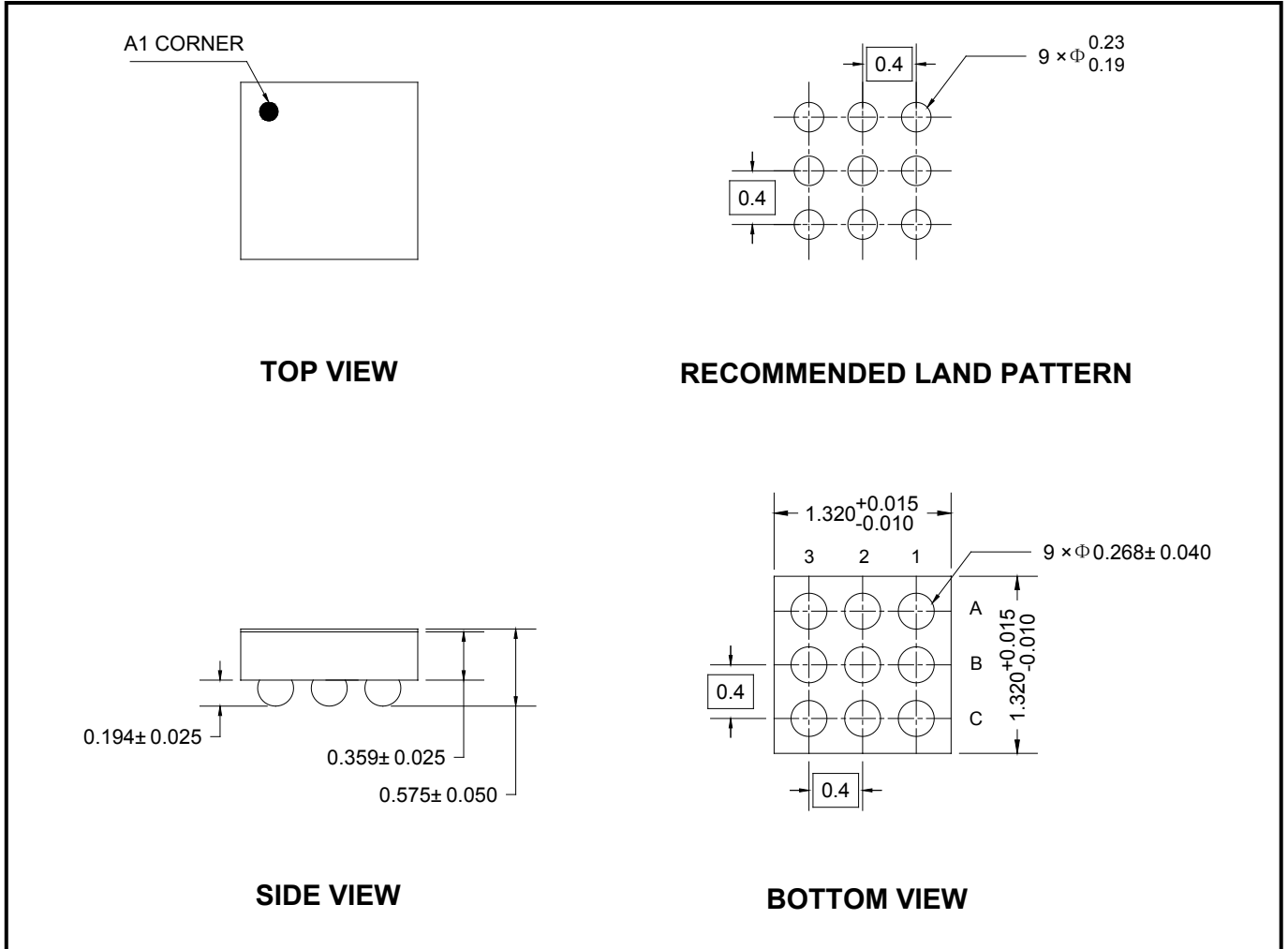
NOTE: Page numbers for previous revisions may differ from page numbers in the current version.

Changes	Page
FEBRUARY 2021 – REV.A to REV.A.1	
Updated Marking Information section.....	2
Changes from Original (JUNE 2016) to REV.A	
Changed from product preview to production data.....	All

PACKAGE INFORMATION

PACKAGE OUTLINE DIMENSIONS

WLCSP-1.32×1.32-9B

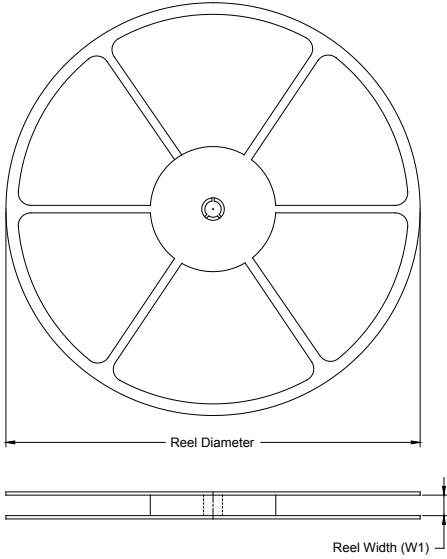


NOTE: All linear dimensions are in millimeters.

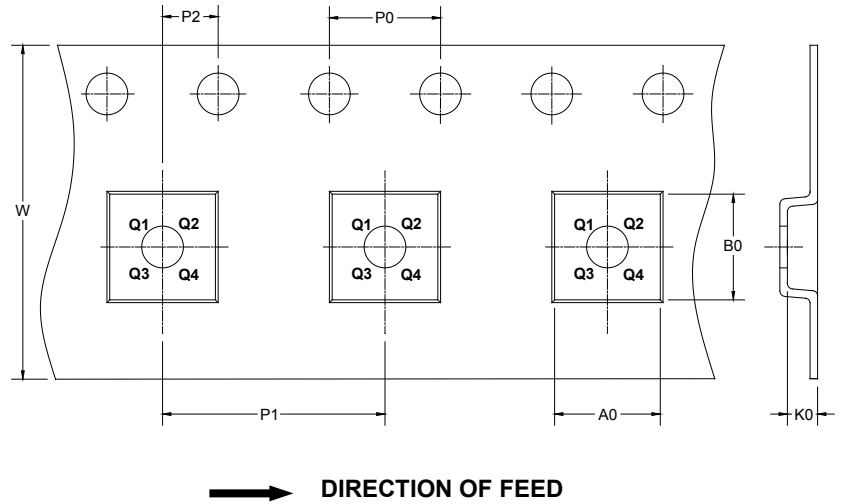
PACKAGE INFORMATION

TAPE AND REEL INFORMATION

REEL DIMENSIONS



TAPE DIMENSIONS



NOTE: The picture is only for reference. Please make the object as the standard.

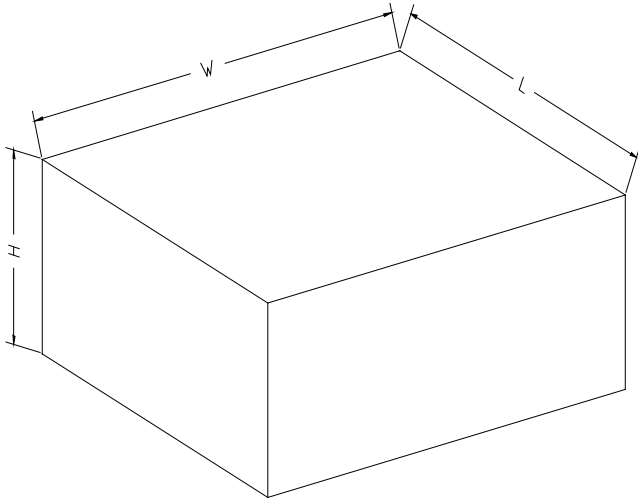
KEY PARAMETER LIST OF TAPE AND REEL

Package Type	Reel Diameter	Reel Width W1 (mm)	A0 (mm)	B0 (mm)	K0 (mm)	P0 (mm)	P1 (mm)	P2 (mm)	W (mm)	Pin1 Quadrant
WLCSP-1.32×1.32-9B	7"	9.5	1.38	1.38	0.70	4.0	4.0	2.0	8.0	Q1

000001

PACKAGE INFORMATION

CARTON BOX DIMENSIONS



NOTE: The picture is only for reference. Please make the object as the standard.

KEY PARAMETER LIST OF CARTON BOX

Reel Type	Length (mm)	Width (mm)	Height (mm)	Pizza/Carton
7" (Option)	368	227	224	8
7"	442	410	224	18

DD0002

单击下面可查看定价，库存，交付和生命周期等信息

[>>SGMICRO\(圣邦微电子\)](#)