



SGM8770

High Voltage, High Precision, Open-Drain, Dual Differential Comparator

GENERAL DESCRIPTION

The SGM8770 is a dual, high voltage, high precision differential voltage comparator that can operate from a single supply or dual supplies over a wide voltage range. The device has two independent voltage comparators. All These features make the SGM8770 suitable for industrial equipment.

For single supply application, the difference voltage between the dual supplies is 2.8V to 36V. Input common mode voltage is 1.5V lower than $+V_S$. Low supply current is independent of the supply voltage. The SGM8770 also has an open-drain output structure and can be connected to other open-drain outputs. Due to the input offset voltage of 2.4mV (MAX), it can be applied as a precision comparator.

The SGM8770 is available in Green TDFN-3×3-8L and SOIC-8 packages. The SGM8770 is specified over the extended -40°C to +125°C temperature range.

FEATURES

- **Wide Supply Ranges**
Single Supply: 2.8V to 36V
Dual Supplies: $\pm 1.4V$ to $\pm 18V$
- **Open-Drain Output Structure**
- **Low Supply Current: 310 μ A (TYP) Independent of Supply Voltage**
- **Ultra-Low Input Offset Voltage: 2.4mV (MAX)**
- **Ultra-Low Input Bias Current: $\pm 20pA$ (TYP)**
- **Minimum Input Common Mode Voltage: $-V_S$**
- **Maximum Differential Input Voltage: +36V/-36V**
- **CMOS/TTL-Compatible Output**
- **-40°C to +125°C Operating Temperature Range**
- **Available in Green SOIC-8 and TDFN-3×3-8L Packages**

APPLICATIONS

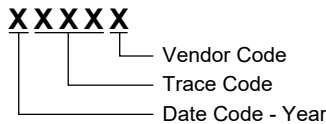
Battery Monitor
Industrial Control
Power System

PACKAGE/ORDERING INFORMATION

MODEL	PACKAGE DESCRIPTION	SPECIFIED TEMPERATURE RANGE	ORDERING NUMBER	PACKAGE MARKING	PACKING OPTION
SGM8770	SOIC-8	-40°C to +125°C	SGM8770XS8G/TR	SGM 8770XS8 XXXXX	Tape and Reel, 4000
	TDFN-3x3-8L	-40°C to +125°C	SGM8770XTDB8G/TR	SGM 8770DB XXXXX	Tape and Reel, 4000

MARKING INFORMATION

NOTE: XXXXX = Date Code, Trace Code and Vendor Code.



Green (RoHS & HSF): SG Micro Corp defines "Green" to mean Pb-Free (RoHS compatible) and free of halogen substances. If you have additional comments or questions, please contact your SGMICRO representative directly.

ABSOLUTE MAXIMUM RATINGS

Supply Voltage, +V _S to -V _S	40V
Differential Input Voltage, V _{ID} 	40V
Input/Output Voltage Range	(-V _S) - 0.3V to (+V _S) + 0.3V
Junction Temperature	+150°C
Storage Temperature Range	-65°C to +150°C
Lead Temperature (Soldering, 10s)	+260°C
ESD Susceptibility	
HBM	2500V
MM	400V
CDM	1000V

RECOMMENDED OPERATING CONDITIONS

Operating Temperature Range	-40°C to +125°C
Power Supply Range	2.8V to 36V

OVERSTRESS CAUTION

Stresses beyond those listed in Absolute Maximum Ratings may cause permanent damage to the device. Exposure to

absolute maximum rating conditions for extended periods may affect reliability. Functional operation of the device at any conditions beyond those indicated in the Recommended Operating Conditions section is not implied.

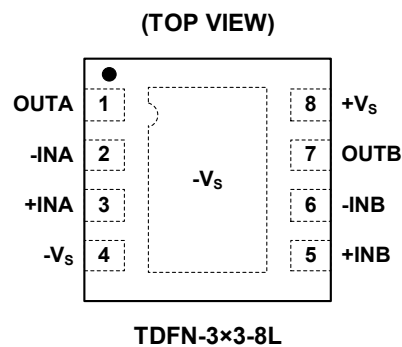
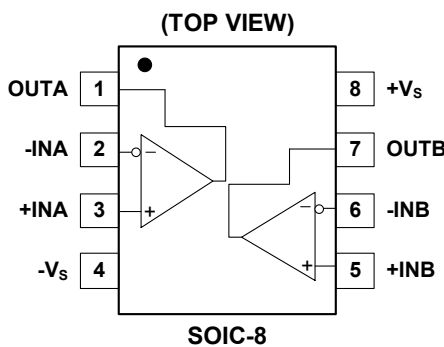
ESD SENSITIVITY CAUTION

This integrated circuit can be damaged by ESD if you don't pay attention to ESD protection. SGMICRO recommends that all integrated circuits be handled with appropriate precautions. Failure to observe proper handling and installation procedures can cause damage. ESD damage can range from subtle performance degradation to complete device failure. Precision integrated circuits may be more susceptible to damage because very small parametric changes could cause the device not to meet its published specifications.

DISCLAIMER

SG Micro Corp reserves the right to make any change in circuit design, or specifications without prior notice.

PIN CONFIGURATIONS



ELECTRICAL CHARACTERISTICS

(At $T_A = +25^\circ\text{C}$, $V_S = \pm 1.4\text{V}$ to $\pm 18\text{V}$, Full = -40°C to $+125^\circ\text{C}$, unless otherwise noted.)

PARAMETER	SYMBOL	CONDITIONS	TEMP	MIN	TYP	MAX	UNITS
Input Offset Voltage	V_{OS}	$V_{CM} = 0\text{V}$	$+25^\circ\text{C}$		0.6	2.4	mV
			Full			2.8	
Input Bias Current	I_B	$V_{CM} = 0\text{V}$	$+25^\circ\text{C}$		± 20	± 240	μA
Input Offset Current	I_{OS}	$V_{CM} = 0\text{V}$	$+25^\circ\text{C}$		± 20	± 320	μA
Maximum Differential Input Voltage	$ V_{ID} $		Full			$(+V_S) - (-V_S)$	V
Maximum Input Difference Bias Current	$ I_{ID} $	$V_S = \pm 18\text{V}$, $V_{ID} = \pm 18\text{V}$	$+25^\circ\text{C}$		2.2	3	μA
			Full			5	
Input Common Mode Voltage Range ⁽¹⁾	V_{CM}		Full	$-V_S$		$(+V_S) - 1.5$	V
Common Mode Rejection Ratio	CMRR	$V_S = \pm 18\text{V}$, $V_{CM} = -V_S$ to $(+V_S) - 1.5\text{V}$	$+25^\circ\text{C}$	96	116		dB
			Full	80			
Power Supply Rejection Ratio	PSRR	$V_S = 2.8\text{V}$ to 36V	$+25^\circ\text{C}$	98	116		dB
			Full	95			
Large-Signal Differential Voltage Amplification	A_{VD}	$V_S = 36\text{V}$, $V_{OUT} = 0.1\text{V}$ to 28.8V , $R_L = 120\text{k}\Omega$ to V_S	$+25^\circ\text{C}$	90	100		dB
			Full	87			
Output Voltage Swing from Rail	V_{OL}	$I_{SINK} = 8\text{mA}$, $V_{ID} = -0.2\text{V}$	$+25^\circ\text{C}$		200	280	mV
			Full			410	
Output Short-Circuit Current	I_{SINK}	$V_{OL} = (-V_S) + 1.5\text{V}$, $V_{ID} = -0.2\text{V}$	$+25^\circ\text{C}$	24	36		mA
High-Level Output Current	I_{OH}	$V_{OH} = 2.8\text{V}$, $V_{ID} = 0.2\text{V}$	$+25^\circ\text{C}$		0.4	0.8	μA
			Full			1	
		$V_{OH} = 36\text{V}$, $V_{ID} = 0.2\text{V}$	$+25^\circ\text{C}$		6	9	μA
			Full			62	
Total Supply Current	I_S	$I_{OUT} = 0\text{mA}$	$+25^\circ\text{C}$		310	380	μA
			Full			430	

SWITCHING CHARACTERISTICS

(At $T_A = +25^\circ\text{C}$, $V_S = \pm 2.5\text{V}$, $C_L = 15\text{pF}$, unless otherwise specified.)

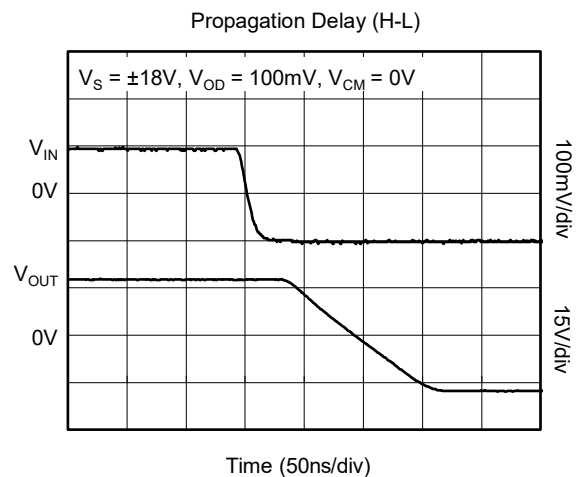
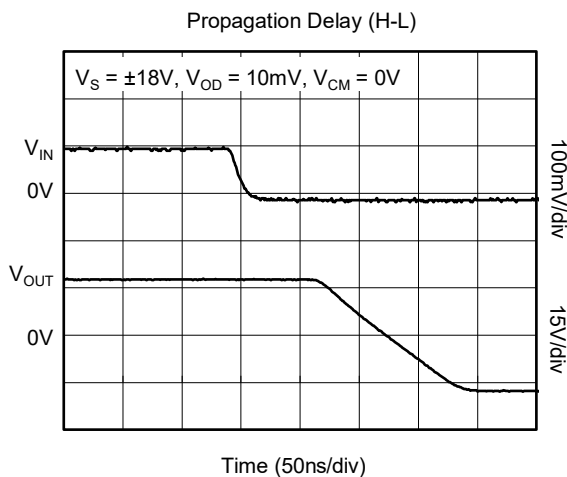
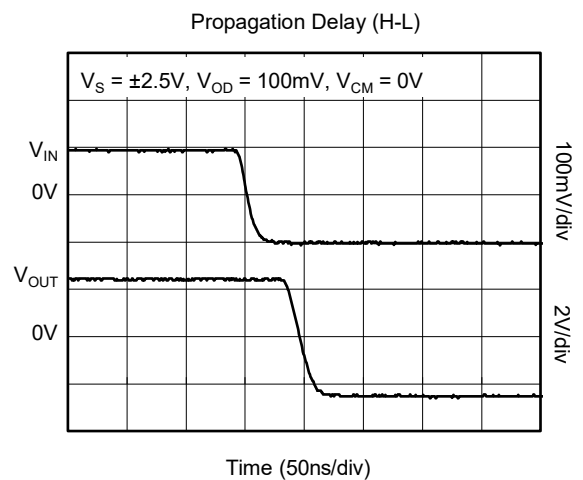
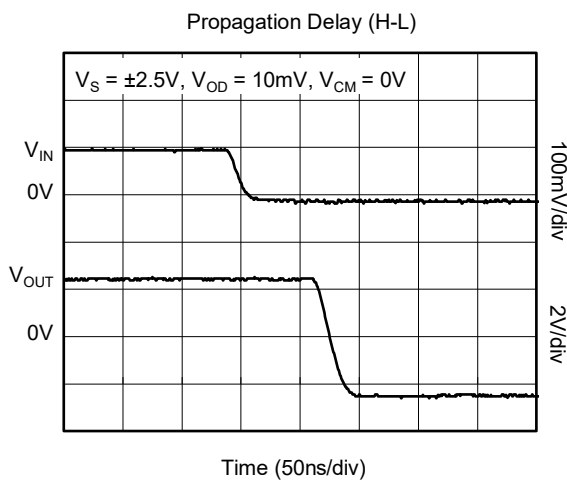
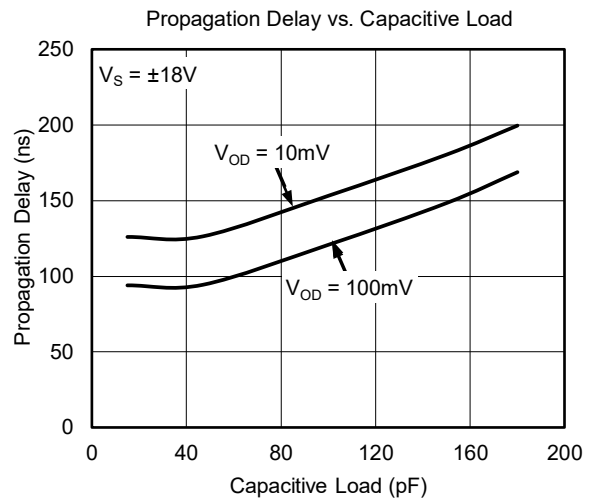
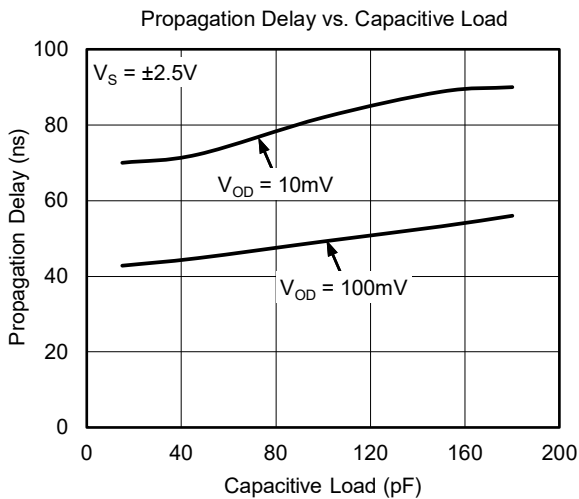
PARAMETER	SYMBOL	CONDITIONS	TEMP	MIN	TYP	MAX	UNITS
Propagation Delay (High to Low)	t_{PHL}	Overdrive = 10mV	$+25^\circ\text{C}$		75		ns
		Overdrive = 100mV	$+25^\circ\text{C}$		45		ns
Fall Time	t_{FALL}	Overdrive = 10mV	$+25^\circ\text{C}$		15		ns
		Overdrive = 100mV	$+25^\circ\text{C}$		15		ns

NOTES:

1. The voltage at either input should not be allowed to be lower than $(-V_S) - 0.3\text{V}$. The upper end of the common mode voltage range is $(+V_S) - 1.5\text{V}$, but either input can go up to 36V without damage.

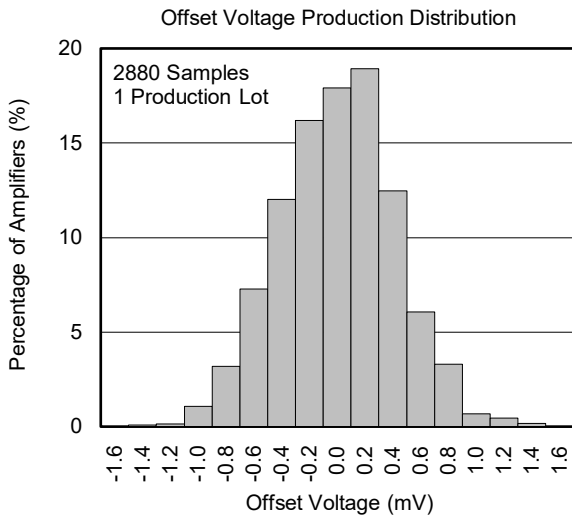
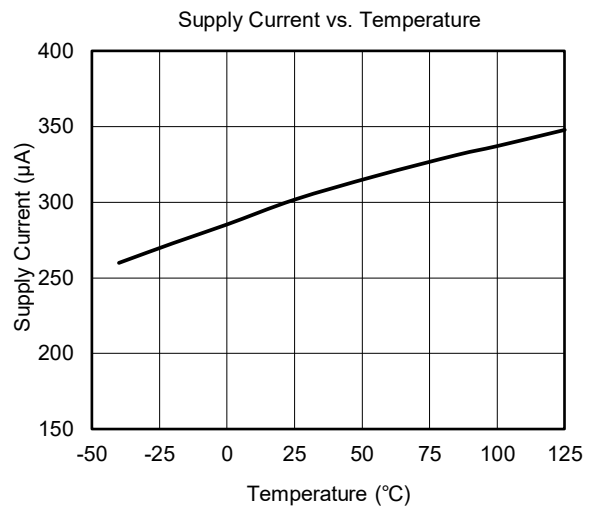
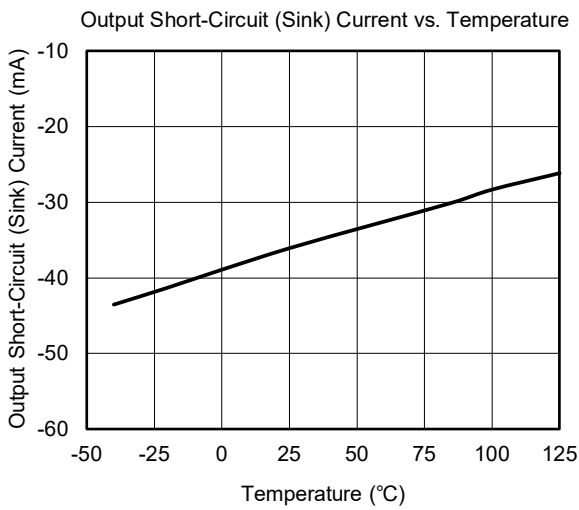
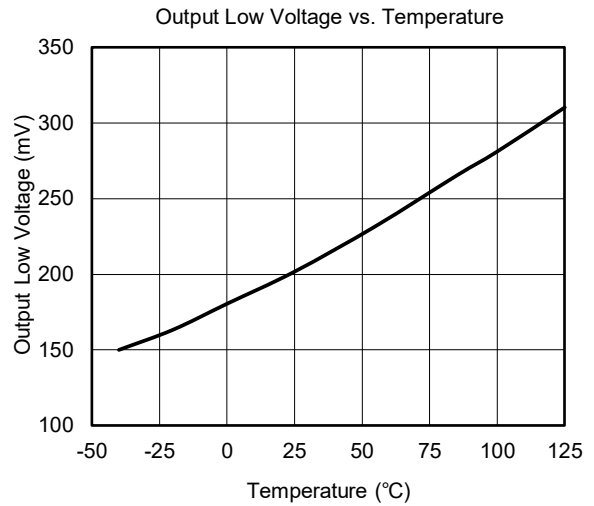
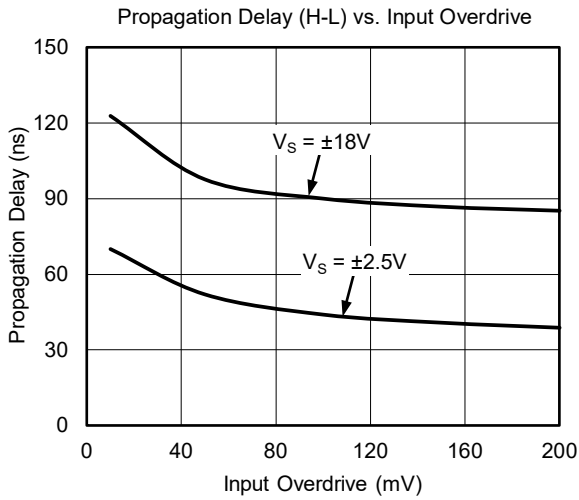
TYPICAL PERFORMANCE CHARACTERISTICS

At $T_A = +25^\circ\text{C}$, $V_S = \pm 18\text{V}$ and $C_L = 15\text{pF}$, unless otherwise noted.



TYPICAL PERFORMANCE CHARACTERISTICS (continued)

At $T_A = +25^\circ\text{C}$, $V_S = \pm 18\text{V}$ and $C_L = 15\text{pF}$, unless otherwise noted.



REVISION HISTORY

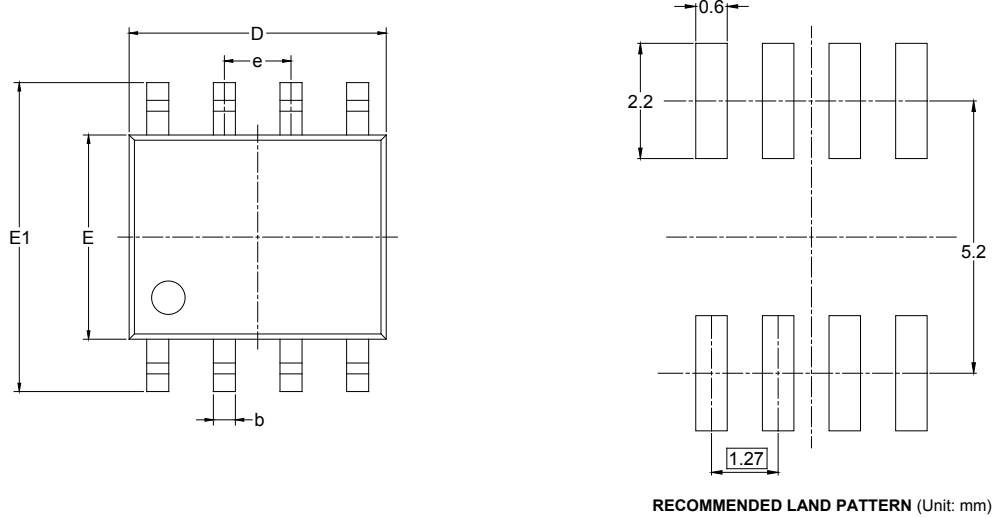
NOTE: Page numbers for previous revisions may differ from page numbers in the current version.

Changes from Original (DECEMBER 2018) to REV.A

Changed from product preview to production dataAll

PACKAGE OUTLINE DIMENSIONS

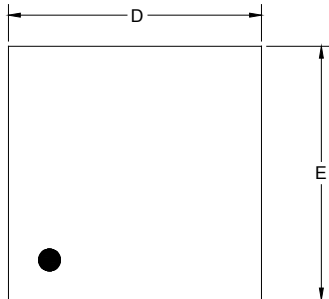
SOIC-8



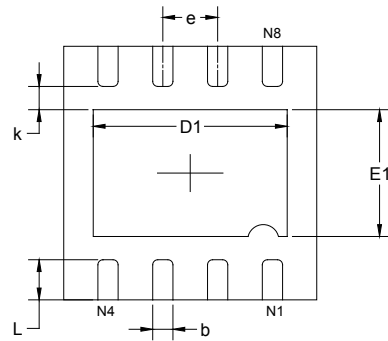
Symbol	Dimensions In Millimeters		Dimensions In Inches	
	MIN	MAX	MIN	MAX
A	1.350	1.750	0.053	0.069
A1	0.100	0.250	0.004	0.010
A2	1.350	1.550	0.053	0.061
b	0.330	0.510	0.013	0.020
c	0.170	0.250	0.006	0.010
D	4.700	5.100	0.185	0.200
E	3.800	4.000	0.150	0.157
E1	5.800	6.200	0.228	0.244
e	1.27 BSC		0.050 BSC	
L	0.400	1.270	0.016	0.050
θ	0°	8°	0°	8°

PACKAGE OUTLINE DIMENSIONS

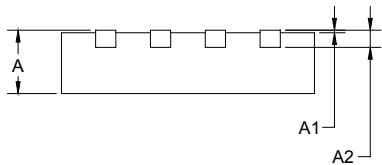
TDFN-3x3-8L



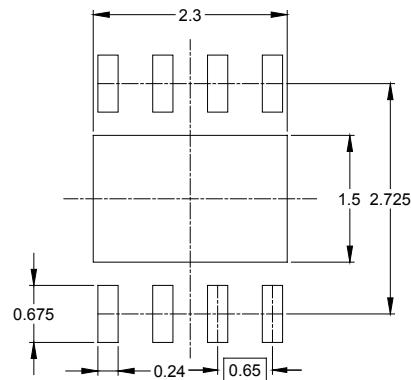
TOP VIEW



BOTTOM VIEW



SIDE VIEW

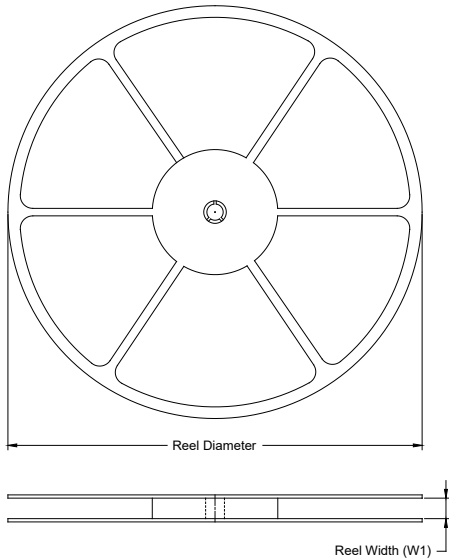


RECOMMENDED LAND PATTERN (Unit: mm)

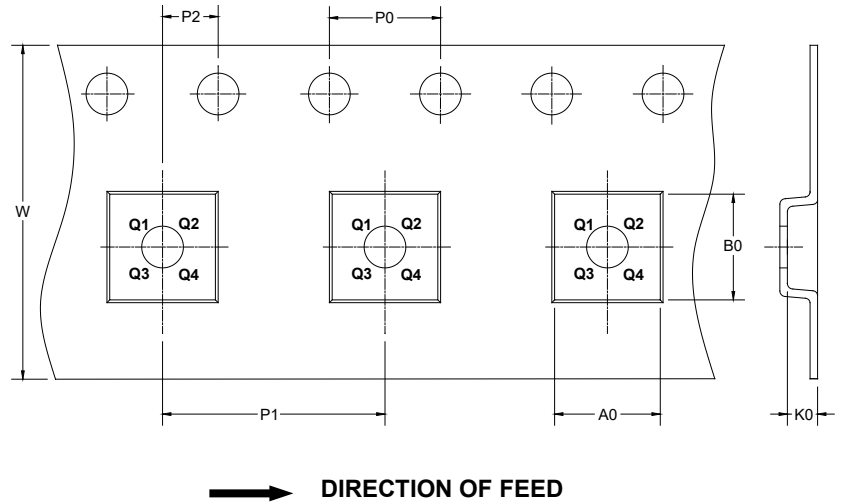
Symbol	Dimensions In Millimeters		Dimensions In Inches	
	MIN	MAX	MIN	MAX
A	0.700	0.800	0.028	0.031
A1	0.000	0.050	0.000	0.002
A2	0.203 REF		0.008 REF	
D	2.900	3.100	0.114	0.122
D1	2.200	2.400	0.087	0.094
E	2.900	3.100	0.114	0.122
E1	1.400	1.600	0.055	0.063
k	0.200 MIN		0.008 MIN	
b	0.180	0.300	0.007	0.012
e	0.650 TYP		0.026 TYP	
L	0.375	0.575	0.015	0.023

TAPE AND REEL INFORMATION

REEL DIMENSIONS



TAPE DIMENSIONS



NOTE: The picture is only for reference. Please make the object as the standard.

KEY PARAMETER LIST OF TAPE AND REEL

Package Type	Reel Diameter	Reel Width W1 (mm)	A0 (mm)	B0 (mm)	K0 (mm)	P0 (mm)	P1 (mm)	P2 (mm)	W (mm)	Pin1 Quadrant
SOIC-8	13"	12.4	6.40	5.40	2.10	4.0	8.0	2.0	12.0	Q1
TDFN-3×3-8L	13"	12.4	3.35	3.35	1.13	4.0	8.0	2.0	12.0	Q1

DD0001

PACKAGE INFORMATION

CARTON BOX DIMENSIONS



NOTE: The picture is only for reference. Please make the object as the standard.

KEY PARAMETER LIST OF CARTON BOX

Reel Type	Length (mm)	Width (mm)	Height (mm)	Pizza/Carton
13"	386	280	370	5

DD0002

单击下面可查看定价，库存，交付和生命周期等信息

[>>SGMICRO\(圣邦微电子\)](#)