



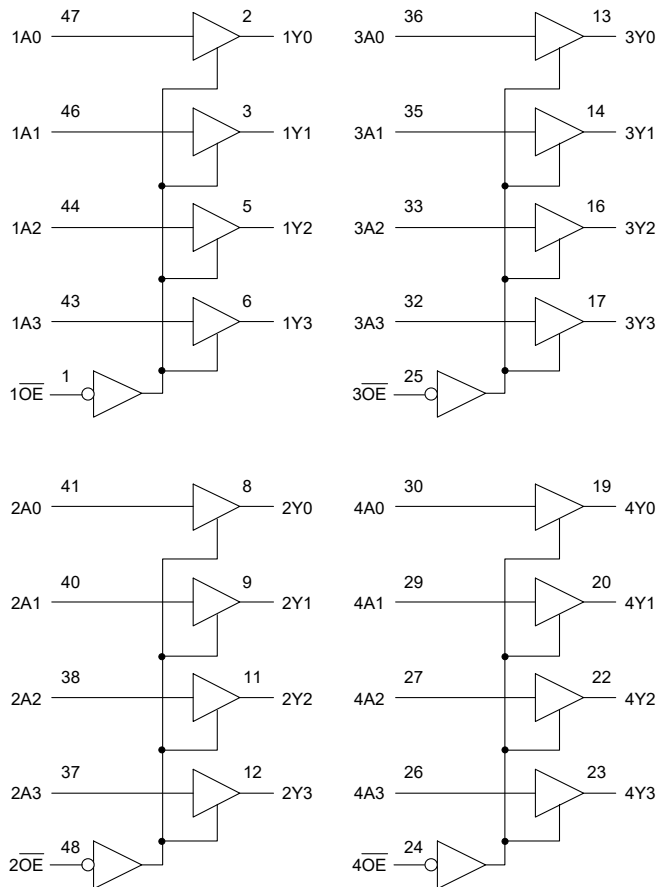
# 74LVTH16244/74LVTN16244 3.3V, 16-Bit Buffers/Line Drivers with 3-State Outputs

## GENERAL DESCRIPTION

The 74LVTH16244 and 74LVTN16244 are high-performance products with non-inverting 3-state bus outputs and they are designed for 3.3V  $V_{CC}$  operation. These devices are organized as four 4-bit buffers, two 8-bit buffers, or one 16-bit buffer with separate output enable inputs ( $\overline{nOE}$ ). When  $\overline{nOE}$  is low, these devices pass data from the  $nA_n$  inputs to the  $nY_n$  outputs. When  $\overline{nOE}$  is high, the outputs are in the high-impedance state.

The 74LVTH16244 bus hold on data inputs eliminates the need for external pull-up/pull-down resistors to hold unused inputs.

## LOGIC DIAGRAM



## FEATURES

- 16-Bit Bus Interface
- 3-State Buffers
- Output Capability: +64mA/-32mA
- TTL Input and Output Switching Levels
- Input and Output Interface Capability to Systems at 5V Supply
- 74LVTH16244: Bus Hold on Data Inputs Eliminates the Need for External Pull-Up/Pull-Down Resistors
- Live Insertion and Extraction Permitted
- Power-Up 3-State
- No Bus Current Loading When Output is Tied to 5V Bus
- -40°C to +125°C Operating Temperature Range
- Available in a Green TSSOP-48 Package

## FUNCTION TABLE

CONTROL INPUT	INPUT	OUTPUT
$\overline{nOE}$	$nA_n$	$nY_n$
L	L	L
L	H	H
H	X	Z

H = High Voltage Level

L = Low Voltage Level

Z = High-Impedance State

X = Don't Care

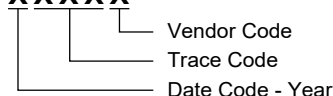
## PACKAGE/ORDERING INFORMATION

MODEL	PACKAGE DESCRIPTION	SPECIFIED TEMPERATURE RANGE	ORDERING NUMBER	PACKAGE MARKING	PACKING OPTION
74LVTH16244	TSSOP-48	-40°C to +125°C	74LVTH16244XTS48G/TR	74LVTH16244 XTS48 XXXXX	Tape and Reel, 2500
74LVTN16244	TSSOP-48	-40°C to +125°C	74LVTN16244XTS48G/TR	74LVTN16244 XTS48 XXXXX	Tape and Reel, 2500

## MARKING INFORMATION

NOTE: XXXXX = Date Code, Trace Code and Vendor Code.

**XXXXX**



Green (RoHS & HSF): SG Micro Corp defines "Green" to mean Pb-Free (RoHS compatible) and free of halogen substances. If you have additional comments or questions, please contact your SGMICRO representative directly.

## ABSOLUTE MAXIMUM RATINGS <sup>(1)</sup>

Supply Voltage, $V_{CC}$ .....	-0.5V to 4.6V
Input Voltage, $V_I$ <sup>(2)</sup> .....	-0.5V to 7V
Output Voltage, $V_O$ <sup>(2)</sup>	
Output in 3-State or High-State.....	-0.5V to 7V
Input Clamping Current, $I_{IK}$ ( $V_I < 0V$ ).....	-50mA
Output Clamping Current, $I_{OK}$ ( $V_O < 0V$ ).....	-50mA
Output Current, $I_O$	
Output in High-State.....	-64mA
Output in Low-State.....	128mA
Supply Current, $I_{CC}$ .....	128mA
Ground Current, $I_{GND}$ .....	-256mA
Junction Temperature <sup>(3)</sup> .....	+150°C
Storage Temperature Range.....	-65°C to +150°C
Lead Temperature (Soldering, 10s).....	+260°C
ESD Susceptibility	
HBM.....	7000V
CDM.....	1000V

## RECOMMENDED OPERATING CONDITIONS

Supply Voltage, $V_{CC}$ .....	2.7V to 3.6V
Input Voltage, $V_I$ .....	0V to 5.5V
High-Level Output Current, $I_{OH}$ .....	-32mA
Low-Level Output Current, $I_{OL}$ .....	64mA
Input Transition Rise and Fall Rate, $\Delta t/\Delta V$	
.....	10ns/V (MAX)
Operating Temperature Range.....	-40°C to +125°C

## OVERSTRESS CAUTION

1. Stresses beyond those listed in Absolute Maximum Ratings may cause permanent damage to the device. Exposure to absolute maximum rating conditions for extended periods may affect reliability. Functional operation of the device at any conditions beyond those indicated in the Recommended Operating Conditions section is not implied.
2. The input and output negative voltage ratings may be exceeded if the input and output clamp current ratings are observed.
3. The performance capability of a high-performance integrated circuit in conjunction with its thermal environment can create junction temperatures which are detrimental to reliability.

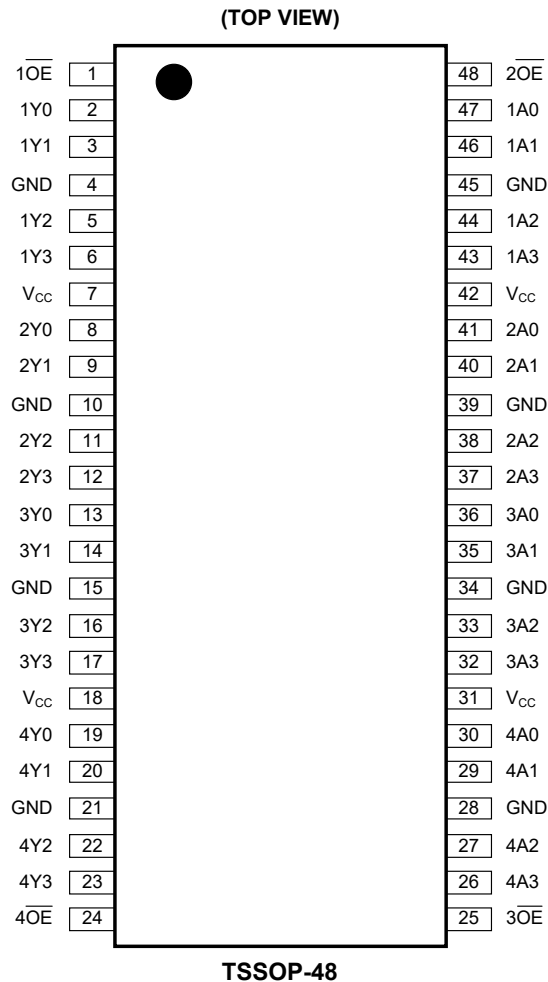
## ESD SENSITIVITY CAUTION

This integrated circuit can be damaged if ESD protections are not considered carefully. SGMICRO recommends that all integrated circuits be handled with appropriate precautions. Failure to observe proper handling and installation procedures can cause damage. ESD damage can range from subtle performance degradation to complete device failure. Precision integrated circuits may be more susceptible to damage because even small parametric changes could cause the device not to meet the published specifications.

## DISCLAIMER

SG Micro Corp reserves the right to make any change in circuit design, or specifications without prior notice.

## PIN CONFIGURATION



## PIN DESCRIPTION

PIN	NAME	FUNCTION
1, 48, 25, 24	1OE, 2OE, 3OE, 4OE	Output Enable Inputs (Active Low).
2, 3, 5, 6	1Y0, 1Y1, 1Y2, 1Y3	Data Outputs.
8, 9, 11, 12	2Y0, 2Y1, 2Y2, 2Y3	Data Outputs.
13, 14, 16, 17	3Y0, 3Y1, 3Y2, 3Y3	Data Outputs.
19, 20, 22, 23	4Y0, 4Y1, 4Y2, 4Y3	Data Outputs.
4, 10, 15, 21, 28, 34, 39, 45	GND	Ground.
7, 18, 31, 42	V <sub>cc</sub>	Supply Voltage.
47, 46, 44, 43	1A0, 1A1, 1A2, 1A3	Data Inputs.
41, 40, 38, 37	2A0, 2A1, 2A2, 2A3	Data Inputs.
36, 35, 33, 32	3A0, 3A1, 3A2, 3A3	Data Inputs.
30, 29, 27, 26	4A0, 4A1, 4A2, 4A3	Data Inputs.

## ELECTRICAL CHARACTERISTICS

(Full = -40°C to +125°C, all typical values are measured at  $V_{CC} = 3.3V$  and  $T_A = +25^\circ C$ , unless otherwise noted.)

PARAMETER	SYMBOL	CONDITIONS	TEMP	MIN	TYP	MAX	UNITS	
Input Clamping Voltage	$V_{IK}$	$V_{CC} = 2.7V, I_{IK} = -18mA$	Full	-1.2	-0.78		V	
High-Level Input Voltage	$V_{IH}$	$V_{CC} = 2.7V$ to 3.6V	Full	2			V	
Low-Level Input Voltage	$V_{IL}$	$V_{CC} = 2.7V$ to 3.6V	Full			0.8	V	
High-Level Output Voltage	$V_{OH}$	$I_{OH} = -100\mu A, V_{CC} = 2.7V$ to 3.6V	Full	$V_{CC} - 0.05$	$V_{CC} - 0.001$		V	
		$I_{OH} = -8mA, V_{CC} = 2.7V$	Full	2.45	2.6			
		$I_{OH} = -32mA, V_{CC} = 3.0V$	Full	2.1	2.65			
Low-Level Output Voltage	$V_{OL}$	$V_{CC} = 2.7V$	$I_{OL} = 100\mu A$	Full		0.001	0.05	V
			$I_{OL} = 24mA$	Full		0.15	0.28	
		$V_{CC} = 3.0V$	$I_{OL} = 16mA$	Full		0.1	0.18	
			$I_{OL} = 32mA$	Full		0.2	0.36	
			$I_{OL} = 64mA$	Full		0.4	0.55	
Input Leakage Current	$I_I$	Control pins, $V_{CC} = 3.6V, V_I = V_{CC}$ or GND	Full		$\pm 0.01$	$\pm 1$	$\mu A$	
		Control pins, $V_{CC} = 0V$ or 3.6V, $V_I = 5.5V$	Full		0.01	5		
		Input data pins <sup>(1)</sup> , $V_{CC} = 0V$ or 3.6V, $V_I = 5.5V$	Full		0.4	5		
		Input data pins <sup>(1)</sup> , $V_{CC} = 3.6V, V_I = V_{CC}$	Full		0.3	2		
		Input data pins <sup>(1)</sup> , $V_{CC} = 3.6V, V_I = GND$	Full	-2	-0.01			
Off-State Output Current	$I_{OZ}$	$V_{CC} = 3.6V$	$V_O = 3.0V$	Full		0.01	2	$\mu A$
			$V_O = 0.5V$	Full	-2	-0.01		
Output Leakage Current	$I_{LO}$	Output in high-state when $V_O > V_{CC}$ , $V_O = 5.5V, V_{CC} = 3.0V$	Full		1	30	$\mu A$	
Power-Up/Down Output Current	$I_{O\_PU/PD}$	$V_{CC} \leq 1.2V, V_O = 0.5V$ to $V_{CC}, V_I = GND$ or $V_{CC}$ , $nOE = \text{don't care}$	+25°C		0.01	10	$\mu A$	
Power-Off Leakage Current	$I_{OFF}$	$V_{CC} = 0V, V_I$ or $V_O = 0V$ to 5.5V	Full		0.01	10	$\mu A$	
Supply Current	$I_{CC}$	$V_{CC} = 3.6V,$ $V_I = GND$ or $V_{CC},$ $I_O = 0A$	Output high	Full		12	80	$\mu A$
			Output low	Full		12	80	
			Outputs disabled <sup>(2)</sup>	Full		12	80	
Additional Supply Current <sup>(3)</sup>	$\Delta I_{CC}$	Per input pin, $V_{CC} = 3.0V$ to 3.6V, one input at $V_{CC} - 0.6V$ , other inputs at $V_{CC}$ or GND	Full		0.2	200	$\mu A$	
Input Capacitance	$C_I$	$V_I = 0V$ or 3.0V	+25°C		6		pF	
Output Capacitance	$C_O$	Outputs disabled, $V_O = 0V$ or 3.0V	+25°C		9		pF	
<b>74LVTH16244 Only</b>								
Bus Hold Low Current	$I_{BHL}$	$V_{CC} = 3.0V, V_I = 0.8V$	Full	50	100		$\mu A$	
Bus Hold High Current	$I_{BHH}$	$V_{CC} = 3.0V, V_I = 2.0V$	Full		-130	-75	$\mu A$	
Bus Hold Low Overdrive Current <sup>(4)</sup>	$I_{BHLO}$	Input data pins, $V_I = 0V$ to 3.6V, $V_{CC} = 3.6V$	Full	500	200		$\mu A$	
Bus Hold High Overdrive Current <sup>(4)</sup>	$I_{BHHO}$	Input data pins, $V_I = 0V$ to 3.6V, $V_{CC} = 3.6V$	Full		-280	-500	$\mu A$	

### NOTES:

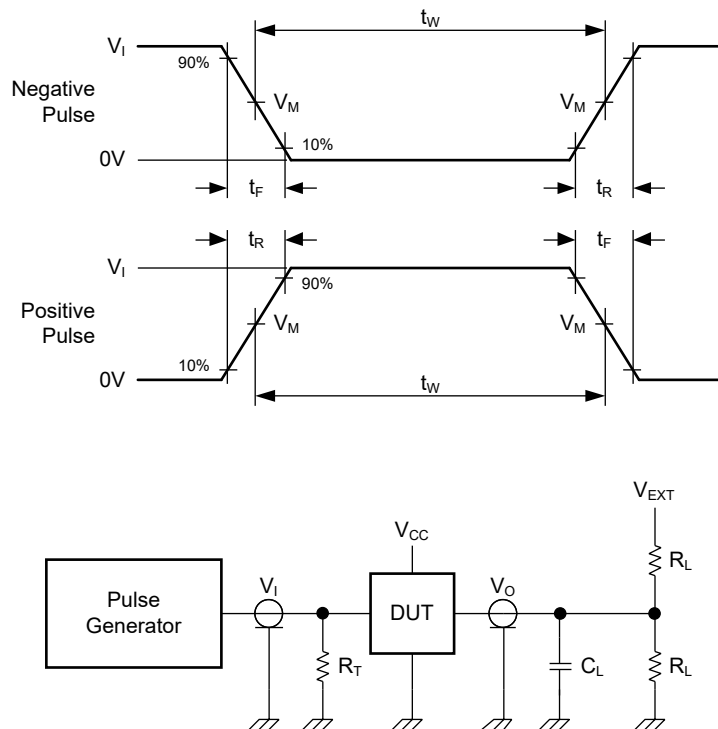
1. Unused pins at  $V_{CC}$  or GND.
2.  $I_{CC}$  is measured with outputs pulled to  $V_{CC}$  or GND.
3. This is the increase in supply current for each input at the specified voltage level other than  $V_{CC}$  or GND.
4. This is the bus hold overdrive current required to force the input to the opposite logic state.

## DYNAMIC CHARACTERISTICS

(For test circuit, see Figure 1. All typical values are measured at  $V_{CC} = 3.3V$  and  $T_A = +25^\circ C$ , unless otherwise noted.)

PARAMETER	SYMBOL	CONDITIONS	TEMP	MIN	TYP	MAX	UNITS
Low to High Propagation Delay	$t_{PLH}$	nAn to nYn, See Figure 2	$V_{CC} = 2.7V$	+25°C	4.3		ns
			$V_{CC} = 3.0V$ to 3.6V	+25°C	4.3		
High to Low Propagation Delay	$t_{PHL}$	nAn to nYn, See Figure 2	$V_{CC} = 2.7V$	+25°C	3.9		ns
			$V_{CC} = 3.0V$ to 3.6V	+25°C	3.7		
Off-State to High Propagation Delay	$t_{PZH}$	$\overline{nOE}$ to nYn, See Figure 3	$V_{CC} = 2.7V$	+25°C	5.3		ns
			$V_{CC} = 3.0V$ to 3.6V	+25°C	4.9		
Off-State to Low Propagation Delay	$t_{PZL}$	$\overline{nOE}$ to nYn, See Figure 3	$V_{CC} = 2.7V$	+25°C	5		ns
			$V_{CC} = 3.0V$ to 3.6V	+25°C	4.9		
High to Off-State Propagation Delay	$t_{PHZ}$	$\overline{nOE}$ to nYn, See Figure 3	$V_{CC} = 2.7V$	+25°C	4.9		ns
			$V_{CC} = 3.0V$ to 3.6V	+25°C	4.6		
Low to Off-State Propagation Delay	$t_{PLZ}$	$\overline{nOE}$ to nYn, See Figure 3	$V_{CC} = 2.7V$	+25°C	5.4		ns
			$V_{CC} = 3.0V$ to 3.6V	+25°C	5.4		

TEST CIRCUIT



Test conditions are given in Table 1.

Definitions for test circuit:

$R_L$  = Load resistance.

$C_L$  = Load capacitance including jig and probe capacitance.

$R_T$  = Termination resistance should be equal to output impedance  $Z_O$  of the pulse generator.

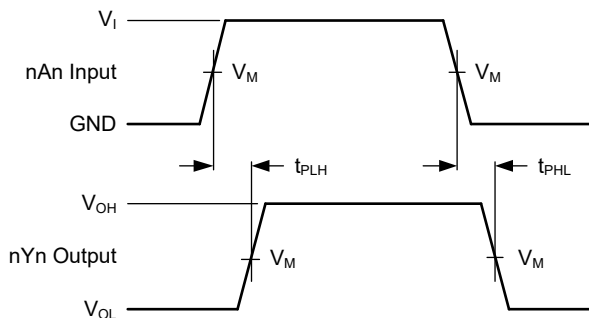
$V_{EXT}$  = External voltage for measuring switching times.

Figure 1. Test Circuit for Measuring Switching Times

Table 1. Test Conditions

SUPPLY VOLTAGE	INPUT				LOAD		$V_{EXT}$		
$V_{CC}$	$V_I$	$f_i$	$t_w$	$t_R, t_F$	$C_L$	$R_L$	$t_{PHZ}, t_{PZH}$	$t_{PLZ}, t_{PZL}$	$t_{PLH}, t_{PHL}$
2.7V to 3.6V	2.7V	$\leq 10\text{MHz}$	500ns	$\leq 2.5\text{ns}$	50pF	500 $\Omega$	GND	6V	Open

WAVEFORMS

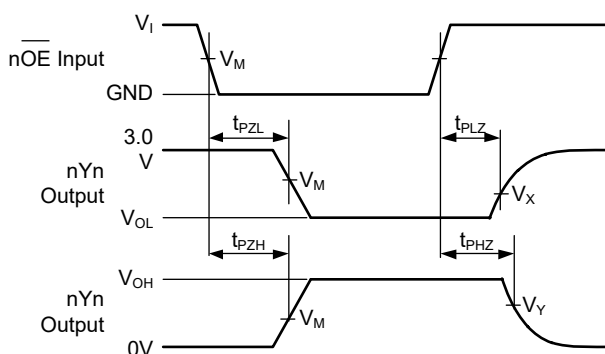


Test conditions are given in Table 1.

Measurement points are given in Table 2.

Logic levels:  $V_{OL}$  and  $V_{OH}$  are typical output voltage levels that occur with the output load.

Figure 2. Input (nAn) to Output (nYn) Propagation Delays



Test conditions are given in Table 1.

Measurement points are given in Table 2.

Logic levels:  $V_{OL}$  and  $V_{OH}$  are typical output voltage levels that occur with the output load.

Figure 3. Enable and Disable Times

Table 2. Measurement Points

SUPPLY VOLTAGE	INPUT		OUTPUT		
	$V_I$	$V_M$	$V_M$	$V_X$	$V_Y$
$V_{CC}$ 2.7V to 3.6V	2.7V	1.5V	1.5V	$V_{OL} + 0.3V$	$V_{OH} - 0.3V$

## REVISION HISTORY

NOTE: Page numbers for previous revisions may differ from page numbers in the current version.

<b>NOVEMBER 2021 – REV.A to REV.A.1</b>	<b>Page</b>
Updated HBM value in Absolute Maximum Ratings section .....	2

---

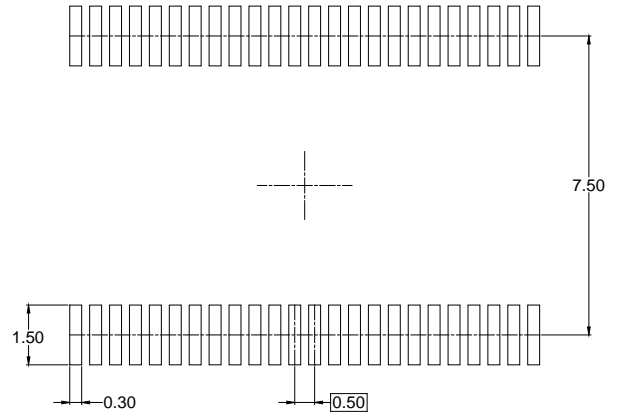
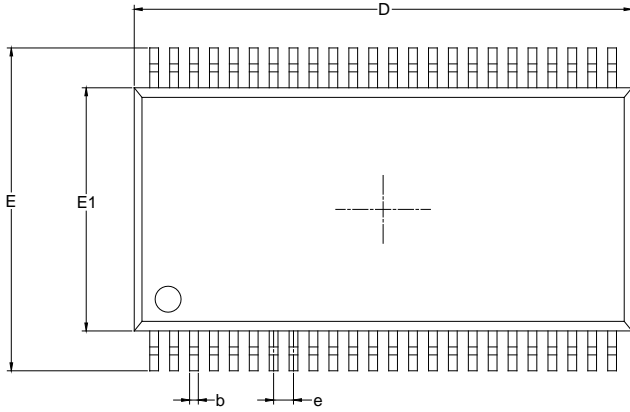
<b>Changes from Original (MARCH 2021) to REV.A</b>	<b>Page</b>
Changed from product preview to production data .....	All

---

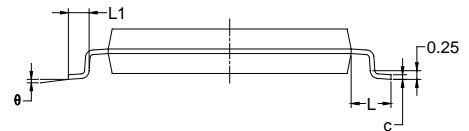
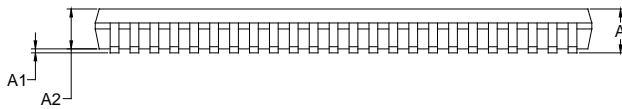


PACKAGE OUTLINE DIMENSIONS

TSSOP-48



RECOMMENDED LAND PATTERN (Unit: mm)



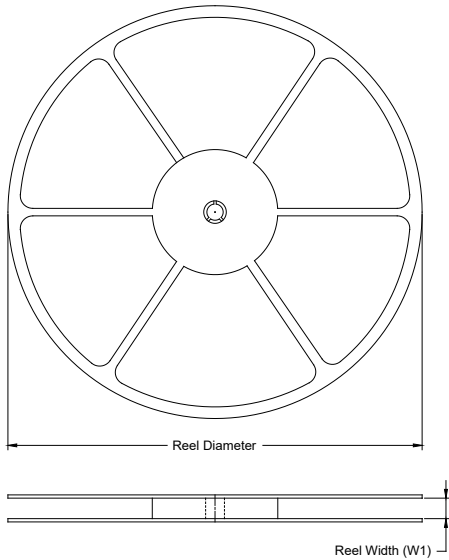
Symbol	Dimensions In Millimeters		
	MIN	MOD	MAX
A			1.20
A1	0.05	0.10	0.15
A2	0.85	0.95	1.05
b	0.18		0.26
c	0.15		0.19
D	12.40	12.50	12.60
E	7.90	8.10	8.30
E1	6.00	6.10	6.20
e	0.50 BSC		
L	1.00 REF		
L1	0.45		0.75
$\theta$	0°		8°

- NOTES:  
 1. Body dimensions do not include mode flash or protrusion.  
 2. This drawing is subject to change without notice.

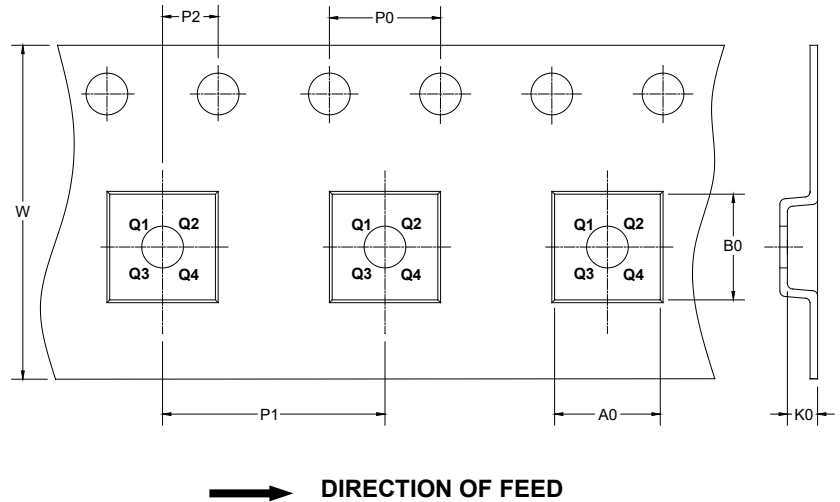
# PACKAGE INFORMATION

## TAPE AND REEL INFORMATION

### REEL DIMENSIONS



### TAPE DIMENSIONS



NOTE: The picture is only for reference. Please make the object as the standard.

### KEY PARAMETER LIST OF TAPE AND REEL

Package Type	Reel Diameter	Reel Width W1 (mm)	A0 (mm)	B0 (mm)	K0 (mm)	P0 (mm)	P1 (mm)	P2 (mm)	W (mm)	Pin1 Quadrant
TSSOP-48	13"	24.4	8.60	13.00	1.80	4.0	12.0	2.0	24.0	Q1

000001

# PACKAGE INFORMATION

## CARTON BOX DIMENSIONS



NOTE: The picture is only for reference. Please make the object as the standard.

## KEY PARAMETER LIST OF CARTON BOX

Reel Type	Length (mm)	Width (mm)	Height (mm)	Pizza/Carton
13"	386	280	370	5

DD0002

单击下面可查看定价，库存，交付和生命周期等信息

[>>SGMICRO\(圣邦微电子\)](#)