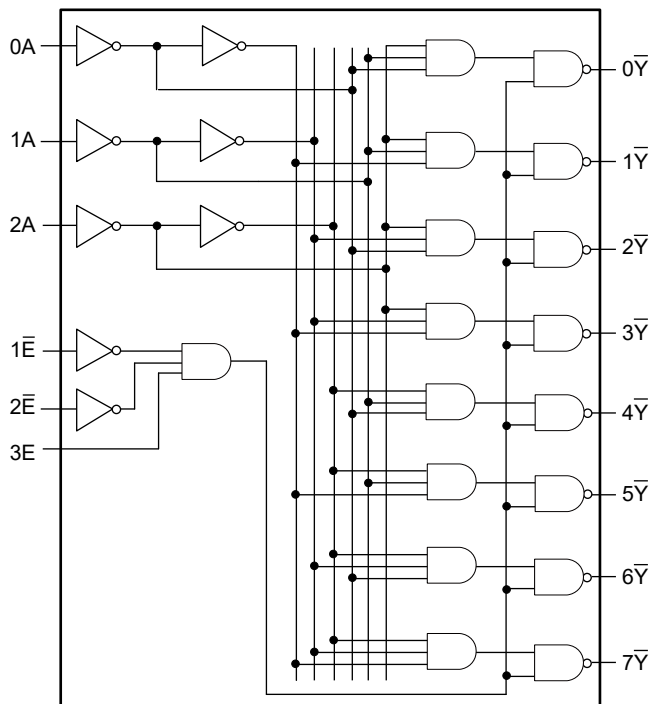


### GENERAL DESCRIPTION

The 74LVC138 is a 3-line to 8-line decoder/demultiplexer designed for memory address decoding or data routing applications. 0A, 1A and 2A are three binary address inputs that determine which of the eight normally high outputs ( $0\bar{Y}$  to  $7\bar{Y}$ ) of the device will in low-state.  $1\bar{E}$  and  $2\bar{E}$  are two active low enable inputs and 3E is an active high enable input. All of the outputs are in a high-state except the case that  $1\bar{E}$  and  $2\bar{E}$  are low and 3E is high. The output is enabled only when all  $1\bar{E}$ ,  $2\bar{E}$  and 3E are active.

This device also features the multiple enable function for easy parallel expansion. Just four 74LVC138 devices and one inverter can make up a 1-of-32 (5-line to 32-line) decoder. When it operates as an eight-output demultiplexer, one of the active low enable inputs is used as data input and the remaining enable inputs are used as strobes. The unused enable inputs should be tied to high or low state.

### LOGIC DIAGRAM



### FEATURES

- **Wide Supply Voltage Range: 1.2V to 3.6V**
- **Inputs Accept Voltages up to 5V with 5V Logic**
- **Mutually Exclusive Outputs**
- **Multiple Input Enable in favor of Expansion**
- **Operate as a Demultiplexer**
- **Memory Selector**
- **CMOS Low Power Dissipation**
- **Inputs are Compatible with TTL Levels**
- **Output Drive Capability: 50Ω Transmission Lines at +125°C**
- **-40°C to +125°C Operating Temperature Range**
- **Functional Operation from -10°C to +85°C at  $V_{CC} = 1.14V$**
- **Available in Green TQFN-2.5×3.5-16L, SOIC-16 and TSSOP-16 Packages**

### FUNCTION TABLE

CONTROL INPUT			INPUT			OUTPUT								
$1\bar{E}$	$2\bar{E}$	3E	0A	1A	2A	$0\bar{Y}$	$1\bar{Y}$	$2\bar{Y}$	$3\bar{Y}$	$4\bar{Y}$	$5\bar{Y}$	$6\bar{Y}$	$7\bar{Y}$	
H	X	X	X	X	X	H	H	H	H	H	H	H	H	
X	H	X	X	X	X	H	H	H	H	H	H	H	H	
X	X	L	X	X	X	H	H	H	H	H	H	H	H	
L	L	H	L	L	L	L	H	H	H	H	H	H	H	
			H	L	L	H	L	H	H	H	H	H	H	
			L	H	L	H	H	L	H	H	H	H	H	
			H	H	L	H	H	H	L	H	H	H	H	
			L	L	H	H	H	H	H	H	L	H	H	
			H	L	H	H	H	H	H	H	H	L	H	
			L	H	H	H	H	H	H	H	H	H	L	H
			H	H	H	H	H	H	H	H	H	H	H	L

H = High Voltage Level  
L = Low Voltage Level  
X = Don't Care

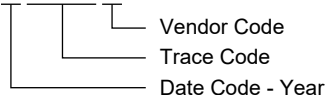
## PACKAGE/ORDERING INFORMATION

MODEL	PACKAGE DESCRIPTION	SPECIFIED TEMPERATURE RANGE	ORDERING NUMBER	PACKAGE MARKING	PACKING OPTION
74LVC138	TQFN-2.5×3.5-16L	-40°C to +125°C	74LVC138XTRG16G/TR	R5BRG XXXXX	Tape and Reel, 6000
	SOIC-16	-40°C to +125°C	74LVC138XS16G/TR	74LVC138XS16 XXXXX	Tape and Reel, 2500
	TSSOP-16	-40°C to +125°C	74LVC138XTS16G/TR	74LVC138 XTS16 XXXXX	Tape and Reel, 4000

## MARKING INFORMATION

NOTE: XXXXX = Date Code, Trace Code and Vendor Code.

**XXXXX**



Green (RoHS & HSF): SG Micro Corp defines "Green" to mean Pb-Free (RoHS compatible) and free of halogen substances. If you have additional comments or questions, please contact your SGMICRO representative directly.

ABSOLUTE MAXIMUM RATINGS <sup>(1)</sup>

Supply Voltage, $V_{CC}$ .....	-0.5V to 6.5V
Input Voltage, $V_I$ <sup>(2)</sup> .....	-0.5V to 6.5V
Output Voltage, $V_O$ <sup>(2)</sup> .....	
Low-State or High-State.....	-0.5V to $V_{CC} + 0.5V$
Input Clamping Current, $I_{IK}$ ( $V_I < 0V$ ).....	-50mA
Output Clamping Current, $I_{OK}$ ( $V_O > V_{CC}$ or $V_O < 0V$ ).....	±50mA
Output Current, $I_O$ ( $V_O = 0V$ to $V_{CC}$ ).....	
High-State .....	-50mA
Low-State.....	50mA
Supply Current, $I_{CC}$ .....	100mA
Ground Current, $I_{GND}$ .....	-100mA
Junction Temperature <sup>(3)</sup> .....	+150°C
Storage Temperature Range.....	-65°C to +150°C
Lead Temperature (Soldering, 10s).....	+260°C
ESD Susceptibility	
HBM.....	6000V
CDM .....	1000V

## RECOMMENDED OPERATING CONDITIONS

Supply Voltage, $V_{CC}$ .....	1.65V to 3.6V
Data Retention Only, $V_{CC}$ .....	1.2V to 3.6V
Input Voltage, $V_I$ .....	0V to 5.5V
Output Voltage, $V_O$	
Low-State or High-State.....	0V to $V_{CC}$
Input Transition Rise and Fall Rate, $\Delta t/\Delta V$	
$V_{CC} = 1.65V$ to $2.7V$ .....	20ns/V (MAX)
$V_{CC} = 2.7V$ to $3.6V$ .....	10ns/V (MAX)
Operating Temperature Range.....	-40°C to +125°C

## OVERSTRESS CAUTION

1. Stresses beyond those listed in Absolute Maximum Ratings may cause permanent damage to the device. Exposure to absolute maximum rating conditions for extended periods may affect reliability. Functional operation of the device at any conditions beyond those indicated in the Recommended Operating Conditions section is not implied.
2. The input and output voltage ratings may be exceeded if the input and output clamp current ratings are observed.
3. The performance capability of a high-performance integrated circuit in conjunction with its thermal environment can create junction temperatures which are detrimental to reliability.

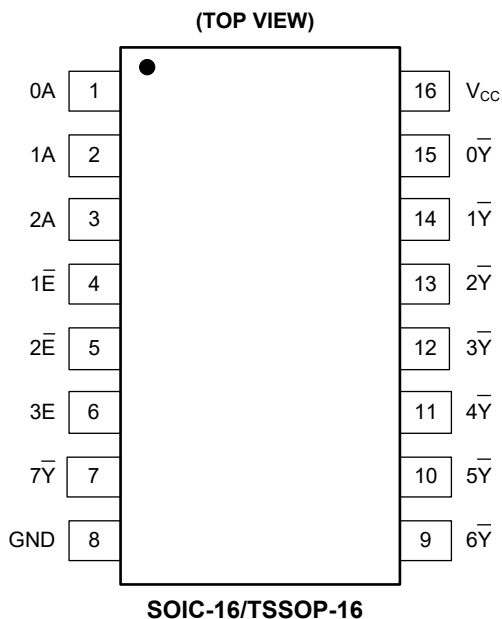
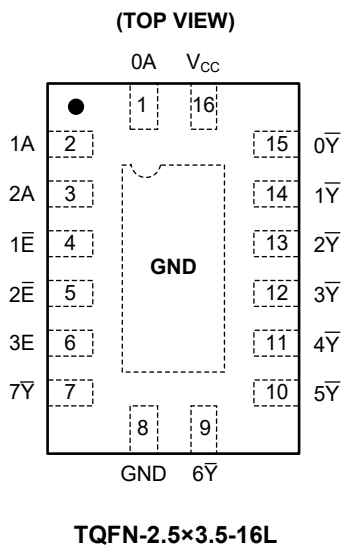
## ESD SENSITIVITY CAUTION

This integrated circuit can be damaged if ESD protections are not considered carefully. SGMICRO recommends that all integrated circuits be handled with appropriate precautions. Failure to observe proper handling and installation procedures can cause damage. ESD damage can range from subtle performance degradation to complete device failure. Precision integrated circuits may be more susceptible to damage because even small parametric changes could cause the device not to meet the published specifications.

## DISCLAIMER

SG Micro Corp reserves the right to make any change in circuit design, or specifications without prior notice.

## PIN CONFIGURATIONS



## PIN DESCRIPTION

PIN	NAME	FUNCTION
1, 2, 3	0A, 1A, 2A	Address Inputs.
4, 5	1 $\bar{E}$ , 2 $\bar{E}$	Enable Inputs (Active Low).
6	3E	Enable Input (Active High).
8	GND	Ground.
15, 14, 13, 12, 11, 10, 9, 7	0 $\bar{Y}$ , 1 $\bar{Y}$ , 2 $\bar{Y}$ , 3 $\bar{Y}$ , 4 $\bar{Y}$ , 5 $\bar{Y}$ , 6 $\bar{Y}$ , 7 $\bar{Y}$	Outputs.
16	V <sub>CC</sub>	Supply Voltage.
Exposed Pad	GND	TQFN-2.5×3.5-16L package only. Not a supply pin. The exposed pad can be left floating or soldered to the ground.

**ELECTRICAL CHARACTERISTICS**(Full = -40°C to +125°C, all typical values are measured at  $V_{CC} = 3.3V$  and  $T_A = +25^\circ C$ , unless otherwise noted.)

PARAMETER	SYMBOL	CONDITIONS	TEMP	MIN	TYP	MAX	UNITS	
High-Level Input Voltage	$V_{IH}$	$V_{CC} = 1.2V$	Full	1.05			V	
		$V_{CC} = 1.65V$ to $1.95V$	Full	$0.65 \times V_{CC}$				
		$V_{CC} = 2.3V$ to $2.7V$	Full	1.50				
		$V_{CC} = 2.7V$ to $3.6V$	Full	1.80				
Low-Level Input Voltage	$V_{IL}$	$V_{CC} = 1.2V$	Full			0.40	V	
		$V_{CC} = 1.65V$ to $1.95V$	Full			$0.35 \times V_{CC}$		
		$V_{CC} = 2.3V$ to $2.7V$	Full			0.70		
		$V_{CC} = 2.7V$ to $3.6V$	Full			0.80		
High-Level Output Voltage	$V_{OH}$	$V_I = V_{IH}$ or $V_{IL}$	$V_{CC} = 1.65V$ to $3.6V$ , $I_O = -100\mu A$	Full	$V_{CC} - 0.05$	$V_{CC} - 0.005$	V	
			$V_{CC} = 1.65V$ , $I_O = -4mA$	Full	1.45	1.55		
			$V_{CC} = 2.3V$ , $I_O = -8mA$	Full	2.05	2.15		
			$V_{CC} = 2.7V$ , $I_O = -12mA$	Full	2.4	2.55		
			$V_{CC} = 3.0V$ , $I_O = -18mA$	Full	2.55	2.75		
			$V_{CC} = 3.0V$ , $I_O = -24mA$	Full	2.45	2.7		
Low-Level Output Voltage	$V_{OL}$	$V_I = V_{IH}$ or $V_{IL}$	$V_{CC} = 1.65V$ to $3.6V$ , $I_O = 100\mu A$	Full		0.005	0.05	V
			$V_{CC} = 1.65V$ , $I_O = 4mA$	Full		0.1	0.2	
			$V_{CC} = 2.3V$ , $I_O = 8mA$	Full		0.15	0.25	
			$V_{CC} = 2.7V$ , $I_O = 12mA$	Full		0.15	0.3	
			$V_{CC} = 3.0V$ , $I_O = 24mA$	Full		0.3	0.55	
Input Leakage Current	$I_I$	$V_{CC} = 3.6V$ , $V_I = 5.5V$ or GND	Full		$\pm 0.05$	$\pm 10$	$\mu A$	
Supply Current	$I_{CC}$	$V_{CC} = 3.6V$ , $V_I = V_{CC}$ or GND, $I_O = 0A$	Full		0.05	10	$\mu A$	
Additional Supply Current	$\Delta I_{CC}$	Per input pin, $V_{CC} = 2.7V$ to $3.6V$ , $V_I = V_{CC} - 0.6V$ , $I_O = 0A$	Full		0.05	20	$\mu A$	
Input Capacitance	$C_I$	$V_{CC} = 0V$ to $3.6V$ , $V_I = GND$ to $V_{CC}$	+25°C		4		pF	

**DYNAMIC CHARACTERISTICS**

(For test circuit, see Figure 1. All typical values are measured at  $T_A = +25^\circ\text{C}$  and  $V_{CC} = 1.2\text{V}, 1.8\text{V}, 2.5\text{V}, 2.7\text{V}$  and  $3.3\text{V}$  respectively, unless otherwise noted.)

PARAMETER	SYMBOL	CONDITIONS	TEMP	MIN <sup>(1)</sup>	TYP	MAX <sup>(2)</sup>	UNITS	
Propagation Delay <sup>(2)</sup>	$t_{PD}$	nA to n $\bar{Y}$ , see Figure 2	$V_{CC} = 1.14\text{V}$	Full		22	ns	
			$V_{CC} = 1.2\text{V}$	Full		18.0		
			$V_{CC} = 1.65\text{V to }1.95\text{V}$	Full	0.5	6.0		15.0
			$V_{CC} = 2.3\text{V to }2.7\text{V}$	Full	0.5	4.0		8.5
			$V_{CC} = 2.7\text{V}$	Full	0.5	4.0		7.5
			$V_{CC} = 3.0\text{V to }3.6\text{V}$	Full	0.5	3.5		7.0
		3E to n $\bar{Y}$ , see Figure 2	$V_{CC} = 1.14\text{V}$	Full		21.0		ns
			$V_{CC} = 1.2\text{V}$	Full		21.0		
			$V_{CC} = 1.65\text{V to }1.95\text{V}$	Full	0.5	7.5	16.5	
			$V_{CC} = 2.3\text{V to }2.7\text{V}$	Full	0.5	4.0	9.3	
			$V_{CC} = 2.7\text{V}$	Full	0.5	3.5	8.5	
			$V_{CC} = 3.0\text{V to }3.6\text{V}$	Full	0.5	3.5	7.5	
	n $\bar{E}$ to n $\bar{Y}$ , see Figure 3	$V_{CC} = 1.14\text{V}$	Full		18.0		ns	
		$V_{CC} = 1.2\text{V}$	Full		15.0			
		$V_{CC} = 1.65\text{V to }1.95\text{V}$	Full	0.5	6.5	14.5		
		$V_{CC} = 2.3\text{V to }2.7\text{V}$	Full	0.5	4.0	8.3		
		$V_{CC} = 2.7\text{V}$	Full	0.5	3.0	8.0		
		$V_{CC} = 3.0\text{V to }3.6\text{V}$	Full	0.5	3.5	7.0		
Output Skew Time	$t_{SK(O)}$		Full			2.0	ns	
Power Dissipation Capacitance <sup>(3)</sup>	$C_{PD}$	$V_I = \text{GND to } V_{CC}$	$V_{CC} = 1.65\text{V to }1.95\text{V}$	+25°C		23	pF	
			$V_{CC} = 2.3\text{V to }2.7\text{V}$	+25°C		25		
			$V_{CC} = 3.0\text{V to }3.6\text{V}$	+25°C		27		

**NOTES:**

- Specified by design and characterization; not production tested.
- $t_{PD}$  is the same as  $t_{PLH}$  and  $t_{PHL}$ .
- $C_{PD}$  is used to determine the dynamic power dissipation ( $P_D$  in  $\mu\text{W}$ ).

$$P_D = C_{PD} \times V_{CC}^2 \times f_i \times N + \Sigma(C_L \times V_{CC}^2 \times f_o)$$

where:

$f_i$  = Input frequency in MHz.

$f_o$  = Output frequency in MHz.

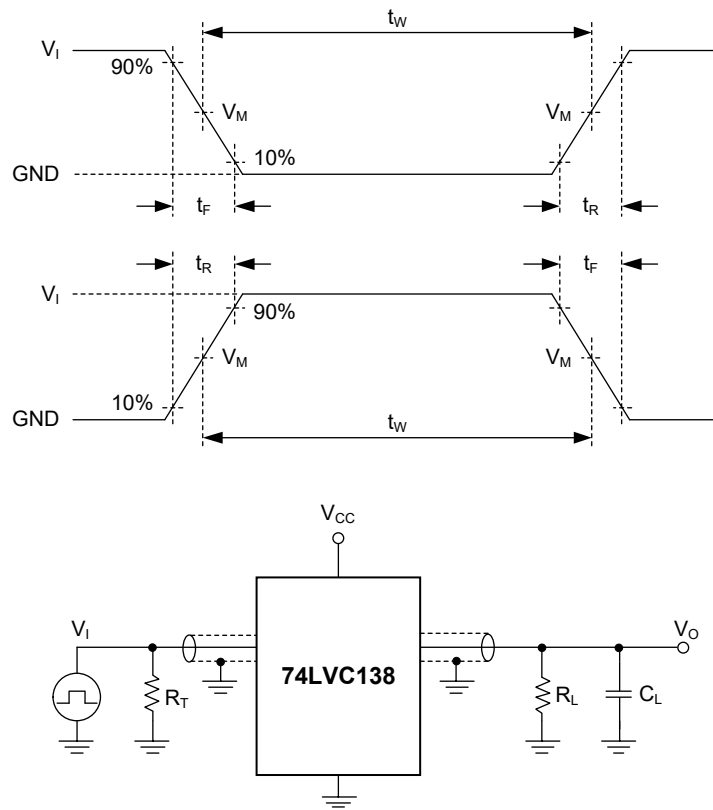
$C_L$  = Output load capacitance in pF.

$V_{CC}$  = Supply voltage in Volts.

$N$  = Number of inputs switching.

$\Sigma(C_L \times V_{CC}^2 \times f_o)$  = Sum of outputs.

## TEST CIRCUIT



Test conditions are given in Table 1.

Definitions for test circuit:

$R_L$ : Load resistance.

$C_L$ : Load capacitance (includes jig and probe).

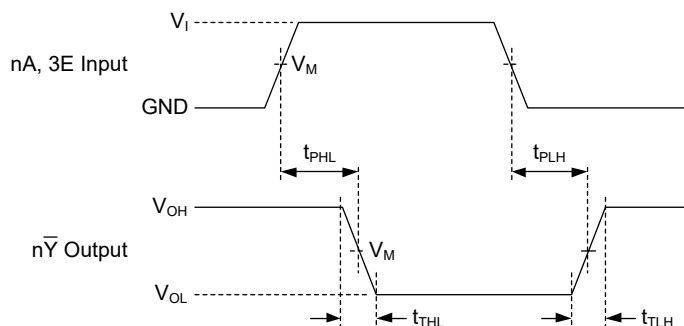
$R_T$ : Termination resistance (equals to output impedance  $Z_O$  of the pulse generator).

Figure 1. Test Circuit for Measuring Switching Times

Table 1. Test Conditions

SUPPLY VOLTAGE	INPUT		LOAD	
	$V_I$	$t_R, t_F$	$C_L$	$R_L$
$V_{CC}$ 1.14V	$V_{CC}$	$\leq 2\text{ns}$	5pF	1M $\Omega$
1.2V	$V_{CC}$	$\leq 2\text{ns}$	30pF	1k $\Omega$
1.65V to 1.95V	$V_{CC}$	$\leq 2\text{ns}$	30pF	1k $\Omega$
2.3V to 2.7V	$V_{CC}$	$\leq 2\text{ns}$	30pF	500 $\Omega$
2.7V	2.7V	$\leq 2.5\text{ns}$	50pF	500 $\Omega$
3.0V to 3.6V	2.7V	$\leq 2.5\text{ns}$	50pF	500 $\Omega$

## WAVEFORMS

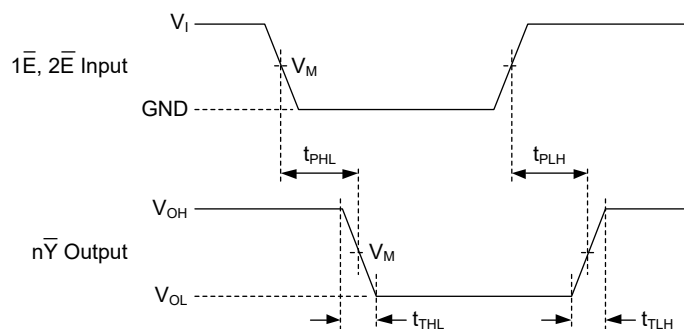


Test conditions are given in Table 1.

Measurement points are given in Table 2.

Logic levels:  $V_{OL}$  and  $V_{OH}$  are typical output voltage levels that occur with the output load.

**Figure 2. The Inputs nA, 3E to Outputs nY $\bar{Y}$  Propagation Delays**



Test conditions are given in Table 1.

Measurement points are given in Table 2.

Logic levels:  $V_{OL}$  and  $V_{OH}$  are typical output voltage levels that occur with the output load.

**Figure 3. The Inputs nE $\bar{E}$  to Outputs nY $\bar{Y}$  Propagation Delays**

**Table 2. Measurement Points**

SUPPLY VOLTAGE	INPUT		OUTPUT
$V_{CC}$	$V_I$	$V_M^{(1)}$	$V_M$
1.14V	$V_{CC}$	$0.5 \times V_{CC}$	$0.5 \times V_{CC}$
1.2V	$V_{CC}$	$0.5 \times V_{CC}$	$0.5 \times V_{CC}$
1.65V to 1.95V	$V_{CC}$	$0.5 \times V_{CC}$	$0.5 \times V_{CC}$
2.3V to 2.7V	$V_{CC}$	$0.5 \times V_{CC}$	$0.5 \times V_{CC}$
2.7V	2.7V	1.5V	1.5V
3.0V to 3.6V	2.7V	1.5V	1.5V

NOTE:

1. The measurement points should be  $V_{IH}$  or  $V_{IL}$  when the input rising or falling time exceeds 2.5ns.

## REVISION HISTORY

NOTE: Page numbers for previous revisions may differ from page numbers in the current version.

<b>AUGUST 2022 – REV.A to REV.A.1</b>	<b>Page</b>
Updated Electrical Characteristics section .....	4
Updated Dynamic Characteristics section.....	5
Added SOIC-16/TSSOP-16 packages .....	All

---

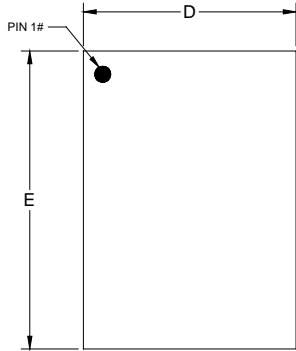
<b>Changes from Original (FEBRUARY 2021) to REV.A</b>	<b>Page</b>
Changed from product preview to production data.....	All

---

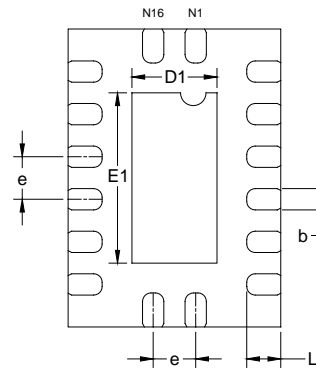


PACKAGE OUTLINE DIMENSIONS

TQFN-2.5x3.5-16L



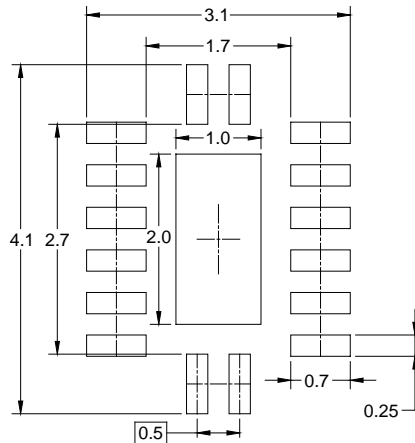
TOP VIEW



BOTTOM VIEW



SIDE VIEW



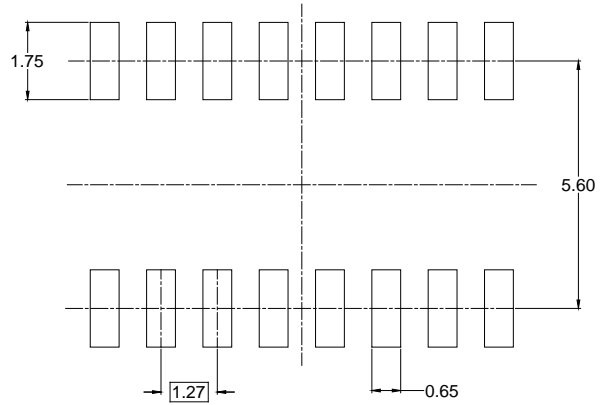
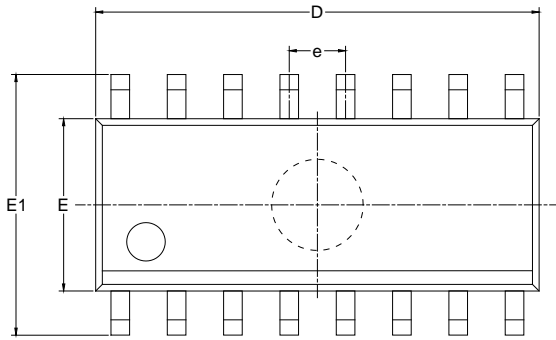
RECOMMENDED LAND PATTERN (Unit: mm)

Symbol	Dimensions In Millimeters		
	MIN	MOD	MAX
A	0.70	0.75	0.80
A1	0.00	0.02	0.05
A2	0.203 REF		
b	0.20	0.25	0.30
D	2.40	2.50	2.60
D1	0.85	1.00	1.15
E	3.40	3.50	3.60
E1	1.85	2.00	2.15
e	0.45	0.50	0.55
L	0.30	0.40	0.50

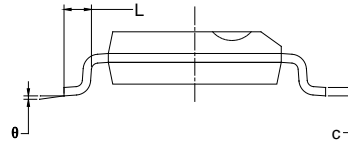
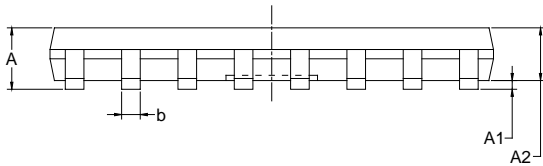
NOTE: This drawing is subject to change without notice.

PACKAGE OUTLINE DIMENSIONS

SOIC-16



RECOMMENDED LAND PATTERN (Unit: mm)



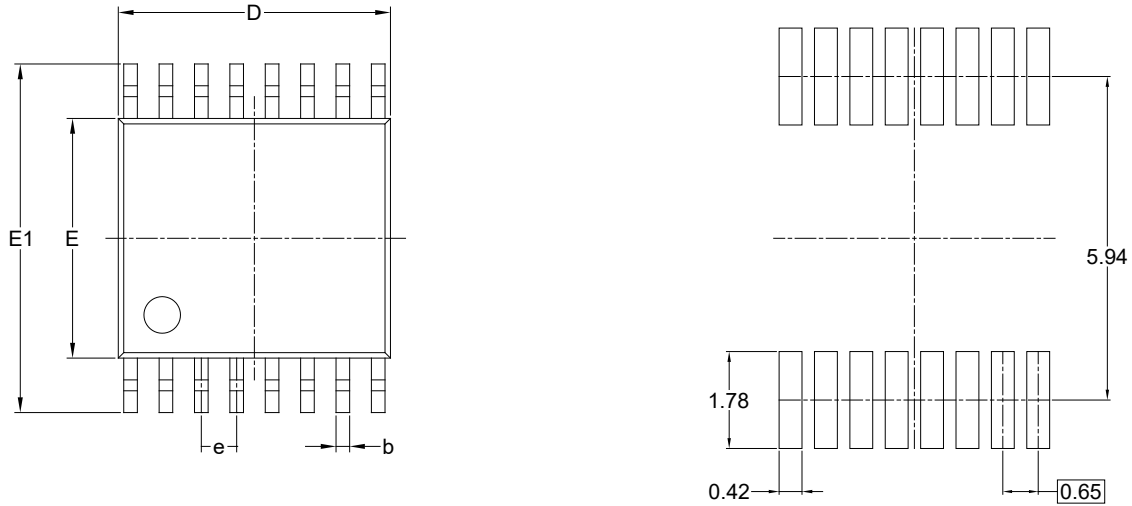
Symbol	Dimensions In Millimeters		Dimensions In Inches	
	MIN	MAX	MIN	MAX
A	1.350	1.750	0.053	0.069
A1	0.100	0.250	0.004	0.010
A2	1.350	1.550	0.053	0.061
b	0.330	0.510	0.013	0.020
c	0.170	0.250	0.006	0.010
D	9.800	10.200	0.386	0.402
E	3.800	4.000	0.150	0.157
E1	5.800	6.200	0.228	0.244
e	1.27 BSC		0.050 BSC	
L	0.400	1.270	0.016	0.050
θ	0°	8°	0°	8°

NOTES:

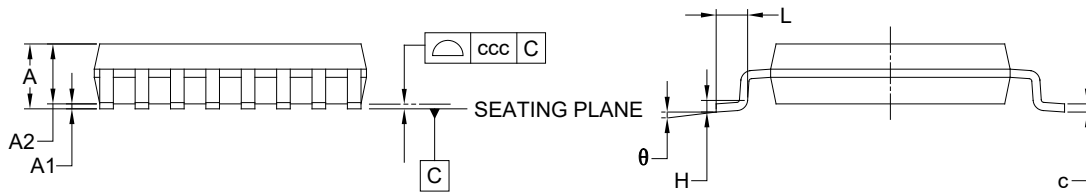
1. Body dimensions do not include mode flash or protrusion.
2. This drawing is subject to change without notice.

PACKAGE OUTLINE DIMENSIONS

TSSOP-16



RECOMMENDED LAND PATTERN (Unit: mm)



Symbol	Dimensions In Millimeters		
	MIN	MOD	MAX
A	-	-	1.200
A1	0.050	-	0.150
A2	0.800	-	1.050
b	0.190	-	0.300
c	0.090	-	0.200
D	4.860	-	5.100
E	4.300	-	4.500
E1	6.200	-	6.600
e	0.650 BSC		
L	0.450	-	0.750
H	0.250 TYP		
$\theta$	0°	-	8°
ccc	0.100		

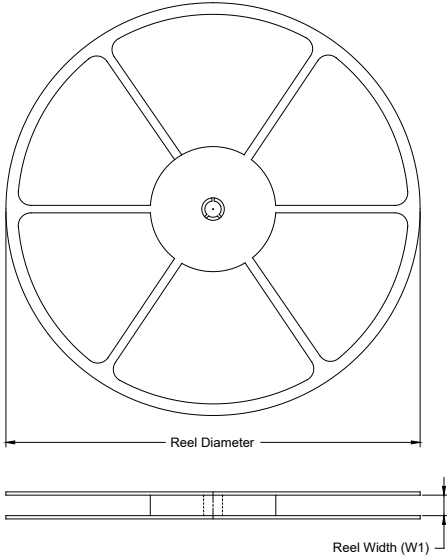
NOTES:

1. This drawing is subject to change without notice.
2. The dimensions do not include mold flashes, protrusions or gate burrs.
3. Reference JEDEC MO-153.

# PACKAGE INFORMATION

## TAPE AND REEL INFORMATION

### REEL DIMENSIONS



### TAPE DIMENSIONS



NOTE: The picture is only for reference. Please make the object as the standard.

### KEY PARAMETER LIST OF TAPE AND REEL

Package Type	Reel Diameter	Reel Width W1 (mm)	A0 (mm)	B0 (mm)	K0 (mm)	P0 (mm)	P1 (mm)	P2 (mm)	W (mm)	Pin1 Quadrant
TQFN-2.5×3.5-16L	13"	12.4	2.80	3.80	0.95	4.0	8.0	2.0	12.0	Q1
SOIC-16	13"	16.4	6.50	10.30	2.10	4.0	8.0	2.0	16.0	Q1
TSSOP-16	13"	12.4	6.90	5.60	1.50	4.0	8.0	2.0	12.0	Q1

DD0001

# PACKAGE INFORMATION

## CARTON BOX DIMENSIONS



NOTE: The picture is only for reference. Please make the object as the standard.

## KEY PARAMETER LIST OF CARTON BOX

Reel Type	Length (mm)	Width (mm)	Height (mm)	Pizza/Carton
13"	386	280	370	5

DD0002

单击下面可查看定价，库存，交付和生命周期等信息

[>>SGMICRO\(圣邦微电子\)](#)