

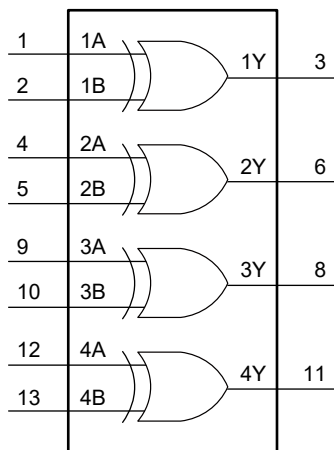
### GENERAL DESCRIPTION

The 74AHCT86 is a high-speed quad 2-input exclusive-OR gate fabricated with silicon-gate CMOS technology and is pin compatible with low-power Schottky TTL. This device performs the Boolean function  $Y = \bar{A}B + A\bar{B}$  in positive logic.

### FEATURES

- **Balanced Propagation Delays**
- **All Inputs Have Schmitt Trigger Actions**
- **Inputs Accept Voltages Higher Than  $V_{CC}$**
- **Operates with TTL Input Levels**
- **-40°C to +125°C Operating Temperature Range**
- **Available in a Green SOIC-14 Package**

### LOGIC SYMBOL



### FUNCTION TABLE

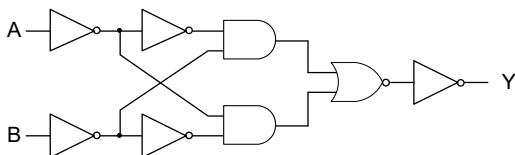
INPUT		OUTPUT
nA	nB	nY
L	L	L
L	H	H
H	L	H
H	H	L

$$Y = \bar{A}B + A\bar{B}$$

H = High Voltage Level

L = Low Voltage Level

### LOGIC DIAGRAM



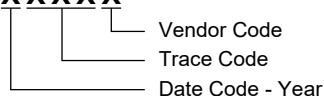
## PACKAGE/ORDERING INFORMATION

MODEL	PACKAGE DESCRIPTION	SPECIFIED TEMPERATURE RANGE	ORDERING NUMBER	PACKAGE MARKING	PACKING OPTION
74AHCT86	SOIC-14	-40°C to +125°C	74AHCT86XS14G/TR	74AHCT86XS14 XXXXX	Tape and Reel, 2500

## MARKING INFORMATION

NOTE: XXXXX = Date Code, Trace Code and Vendor Code.

**XXXXX**



Green (RoHS & HSF): SG Micro Corp defines "Green" to mean Pb-Free (RoHS compatible) and free of halogen substances. If you have additional comments or questions, please contact your SGMICRO representative directly.

ABSOLUTE MAXIMUM RATINGS <sup>(1)</sup>

Supply Voltage Range, $V_{CC}$ .....	-0.5V to 7V
Input Voltage Range, $V_I$ <sup>(2)</sup> .....	-0.5V to 7V
Input Clamping Current, $I_{IK}$ <sup>(2)</sup> ( $V_I < -0.5V$ ).....	-20mA
Output Clamping Current, $I_{OK}$ <sup>(2)</sup> ( $V_O < -0.5V$ or $V_O > (V_{CC} + 0.5V)$ ) .....	$\pm 20mA$
Output Current, $I_O$ ( $V_O = -0.5V$ to $(V_{CC} + 0.5V)$ ) .....	$\pm 25mA$
Supply Current, $I_{CC}$ .....	75mA
Ground Current, $I_{GND}$ .....	-75mA
Junction Temperature <sup>(3)</sup> .....	+150°C
Storage Temperature Range .....	-65°C to +150°C
Lead Temperature (Soldering, 10s) .....	+260°C
ESD Susceptibility	
HBM.....	6000V
CDM .....	1000V

## RECOMMENDED OPERATING CONDITIONS

Supply Voltage Range, $V_{CC}$ .....	4.5V to 5.5V
Input Voltage Range, $V_I$ .....	0V to 5.5V
Output Voltage Range, $V_O$ .....	0V to $V_{CC}$
Input Transition Rise and Fall Rate, $\Delta t/\Delta V$	
$V_{CC} = 5V \pm 0.5V$ .....	20ns/V (MAX)
Operating Temperature Range .....	-40°C to +125°C

## OVERSTRESS CAUTION

1. Stresses beyond those listed in Absolute Maximum Ratings may cause permanent damage to the device. Exposure to absolute maximum rating conditions for extended periods may affect reliability. Functional operation of the device at any conditions beyond those indicated in the Recommended Operating Conditions section is not implied.
2. The input and output negative voltage ratings may be exceeded if the input and output clamp current ratings are observed.
3. The performance capability of a high-performance integrated circuit in conjunction with its thermal environment can create junction temperatures which are detrimental to reliability.

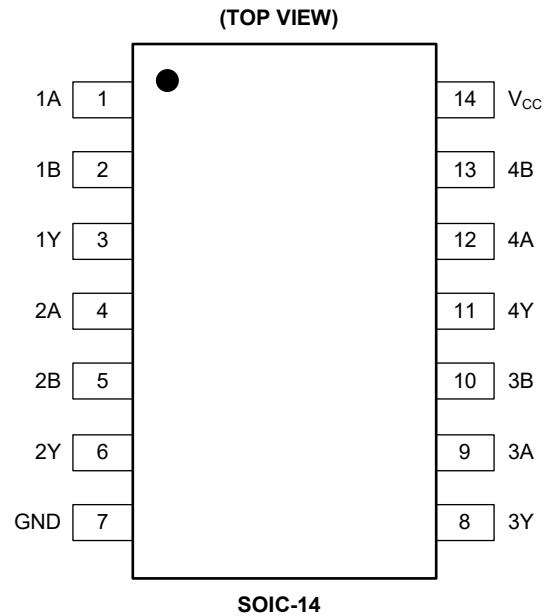
## ESD SENSITIVITY CAUTION

This integrated circuit can be damaged if ESD protections are not considered carefully. SGMICRO recommends that all integrated circuits be handled with appropriate precautions. Failure to observe proper handling and installation procedures can cause damage. ESD damage can range from subtle performance degradation to complete device failure. Precision integrated circuits may be more susceptible to damage because even small parametric changes could cause the device not to meet the published specifications.

## DISCLAIMER

SG Micro Corp reserves the right to make any change in circuit design, or specifications without prior notice.

## PIN CONFIGURATION



## PIN DESCRIPTION

PIN	NAME	FUNCTION
1, 4, 9, 12	1A, 2A, 3A, 4A	Data Inputs.
2, 5, 10, 13	1B, 2B, 3B, 4B	Data Inputs.
3, 6, 8, 11	1Y, 2Y, 3Y, 4Y	Data Outputs.
7	GND	Ground.
14	V <sub>CC</sub>	Supply Voltage.

## ELECTRICAL CHARACTERISTICS

(Full = -40°C to +125°C. All typical values are measured at  $V_{CC} = 3.3V$  or  $V_{CC} = 5V$ ,  $T_A = +25^\circ C$ , unless otherwise noted.)

PARAMETER	SYMBOL	CONDITIONS	TEMP	MIN	TYP	MAX	UNITS
High-Level Input Voltage	$V_{IH}$	$V_{CC} = 4.5V$ to $5.5V$	Full	2			V
Low-Level Input Voltage	$V_{IL}$	$V_{CC} = 4.5V$ to $5.5V$	Full			0.8	V
High-Level Output Voltage	$V_{OH}$	$V_I = V_{IH}$ or $V_{IL}$ , $V_{CC} = 4.5V$	$I_O = -50\mu A$	Full	4.45	4.495	V
			$I_O = -8.0mA$	Full	4	4.25	
Low-Level Output Voltage	$V_{OL}$	$V_I = V_{IH}$ or $V_{IL}$ , $V_{CC} = 4.5V$	$I_O = 50\mu A$	Full		0.005	V
			$I_O = 8.0mA$	Full		0.25	
Input Leakage Current	$I_I$	$V_{CC} = 0V$ to $5.5V$ , $V_I = 5.5V$ or GND	Full		0.02	2	$\mu A$
Supply Current	$I_{CC}$	$V_{CC} = 5.5V$ , $V_I = V_{CC}$ or GND, $I_O = 0A$	Full		0.02	10	$\mu A$
Additional Supply Current	$\Delta I_{CC}$	Per input pin, $V_I = V_{CC} - 2.1V$ , $I_O = 0A$ , other pins at $V_{CC}$ or GND, $V_{CC} = 4.5V$ to $5.5V$	Full		0.05	0.5	mA
Input Capacitance	$C_i$		+25°C		5		pF
Output Capacitance	$C_o$		+25°C		5		pF

## DYNAMIC CHARACTERISTICS

(For test circuit, see Figure 1. All typical values are measured at  $T_A = +25^\circ C$  and  $V_{CC} = 4.5V$  and  $5.5V$  respectively, unless otherwise noted.)

PARAMETER	SYMBOL	CONDITIONS	TEMP	MIN	TYP	MAX	UNITS
Propagation Delay <sup>(1)</sup>	$t_{PD}$	nA, nB to nY, see Figure 2	$V_{CC} = 4.5V$ to $5.5V$ , $C_L = 15pF$	+25°C		6	ns
			$V_{CC} = 4.5V$ to $5.5V$ , $C_L = 50pF$	+25°C		7	
Power Dissipation Capacitance <sup>(2)</sup>	$C_{PD}$	$C_L = 50pF$ , $f_i = 1MHz$ , $V_I = GND$ to $V_{CC}$	+25°C		10		pF

### NOTES:

- $t_{PD}$  is the same as  $t_{PLH}$  and  $t_{PHL}$ .
- $C_{PD}$  is used to determine the dynamic power dissipation ( $P_D$  in  $\mu W$ ).

$$P_D = C_{PD} \times V_{CC}^2 \times f_i \times N + \sum(C_L \times V_{CC}^2 \times f_o)$$

where:

$f_i$  = Input frequency in MHz.

$f_o$  = Output frequency in MHz.

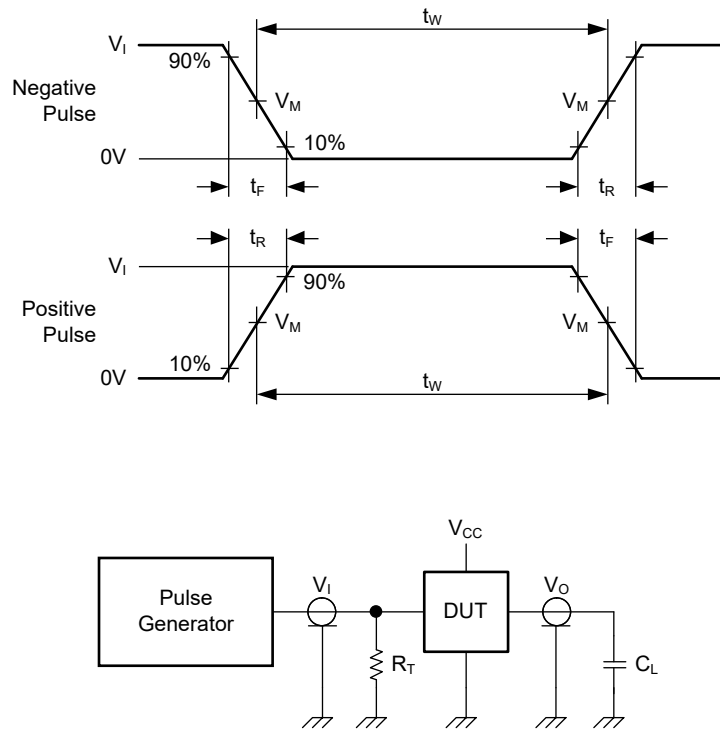
$C_L$  = Output load capacitance in pF.

$V_{CC}$  = Supply voltage in Volts.

$N$  = Number of inputs switching.

$\sum(C_L \times V_{CC}^2 \times f_o)$  = Sum of the outputs.

TEST CIRCUIT



Test conditions are given in Table 1.

Definitions for test circuit:

$R_T$  = Termination resistance should be equal to the output impedance  $Z_O$  of the pulse generator.

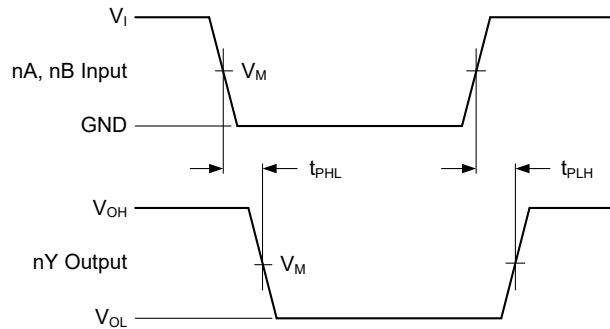
$C_L$  = Load capacitance including jig and probe capacitance.

Figure 1. Test Circuit for Measuring Switching Times

Table 1. Test Conditions

INPUT		LOAD	TEST
$V_I$	$t_R, t_F$	$C_L$	
3V	$\leq 3.0\text{ns}$	50pF, 15pF	$t_{PLH}, t_{PHL}$

WAVEFORMS



Test conditions are given in Table 1.

Measurement points are given in Table 2.

Logic levels:  $V_{OL}$  and  $V_{OH}$  are typical output voltage levels that occur with the output load.

Figure 2. Input nA, nB to Output nY Propagation Delays

Table 2. Measurement Points

INPUT	OUTPUT
$V_M$	$V_M$
1.5V	$0.5 \times V_{CC}$

REVISION HISTORY

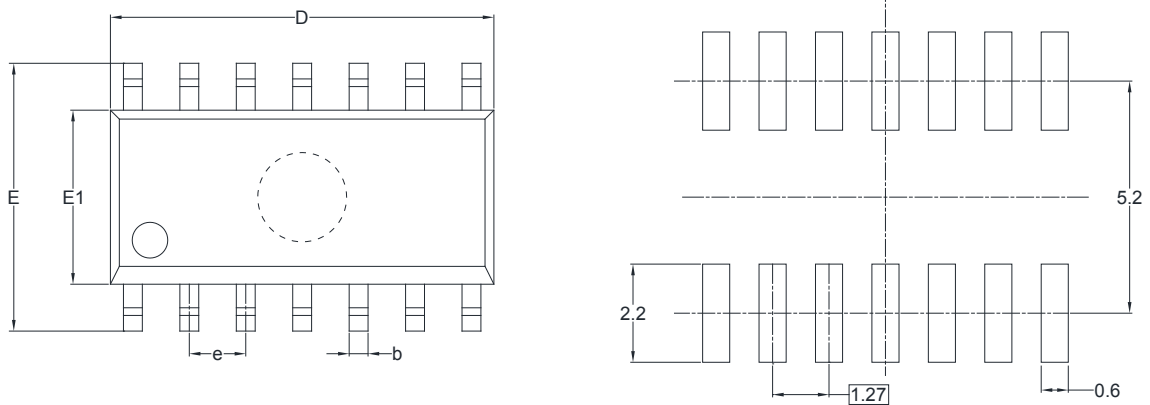
NOTE: Page numbers for previous revisions may differ from page numbers in the current version.

Changes from Original (APRIL 2021) to REV.A	Page
Changed from product preview to production data.....	All

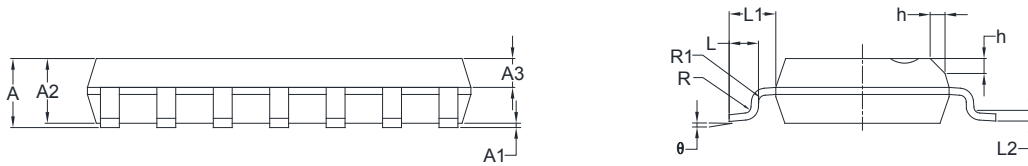
# PACKAGE INFORMATION

## PACKAGE OUTLINE DIMENSIONS

### SOIC-14



RECOMMENDED LAND PATTERN (Unit: mm)

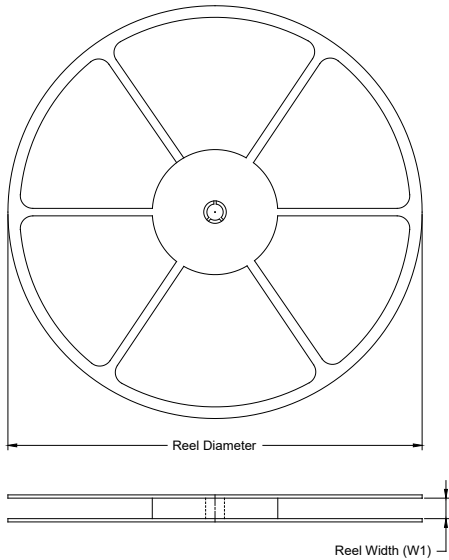


Symbol	Dimensions In Millimeters		Dimensions In Inches	
	MIN	MAX	MIN	MAX
A	1.35	1.75	0.053	0.069
A1	0.10	0.25	0.004	0.010
A2	1.25	1.65	0.049	0.065
A3	0.55	0.75	0.022	0.030
b	0.36	0.49	0.014	0.019
D	8.53	8.73	0.336	0.344
E	5.80	6.20	0.228	0.244
E1	3.80	4.00	0.150	0.157
e	1.27 BSC		0.050 BSC	
L	0.45	0.80	0.018	0.032
L1	1.04 REF		0.040 REF	
L2	0.25 BSC		0.01 BSC	
R	0.07		0.003	
R1	0.07		0.003	
h	0.30	0.50	0.012	0.020
θ	0°	8°	0°	8°

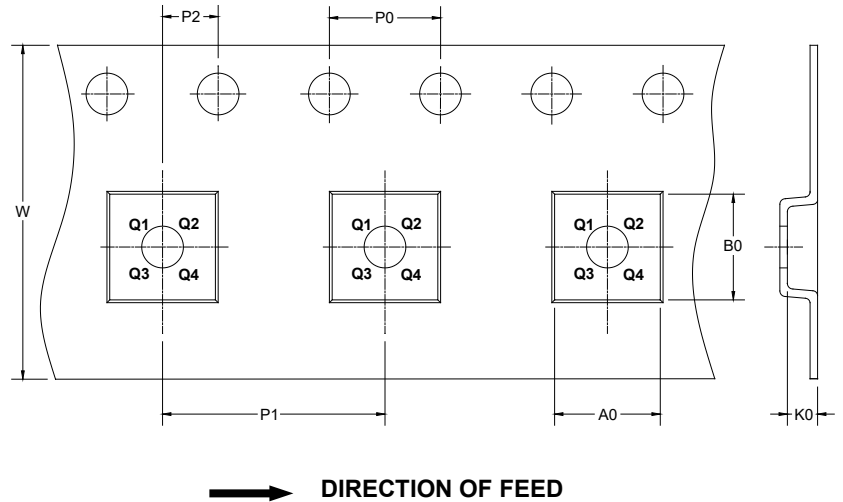
# PACKAGE INFORMATION

## TAPE AND REEL INFORMATION

### REEL DIMENSIONS



### TAPE DIMENSIONS



NOTE: The picture is only for reference. Please make the object as the standard.

### KEY PARAMETER LIST OF TAPE AND REEL

Package Type	Reel Diameter	Reel Width W1 (mm)	A0 (mm)	B0 (mm)	K0 (mm)	P0 (mm)	P1 (mm)	P2 (mm)	W (mm)	Pin1 Quadrant
SOIC-14	13"	16.4	6.60	9.30	2.10	4.0	8.0	2.0	16.0	Q1

000001



# PACKAGE INFORMATION

## CARTON BOX DIMENSIONS



NOTE: The picture is only for reference. Please make the object as the standard.

## KEY PARAMETER LIST OF CARTON BOX

Reel Type	Length (mm)	Width (mm)	Height (mm)	Pizza/Carton
13"	386	280	370	5

DD0002

单击下面可查看定价，库存，交付和生命周期等信息

[>>SGMICRO\(圣邦微电子\)](#)