

GENERAL DESCRIPTION

The SGM2549D senses ground pole and automatically selects switches accordingly in either the driver side or the headset side, with no need of any external control input. If a plug-in of the earphone is misplaced, it will keep SGM2549D trying periodically until a correct microphone pole is found. It consumes 1.3µA when a microphone is identified.

SGM2549D is available in Green UTDFN-1.5×2-6L and SOT-23-6 packages. It is rated over the -40°C to +85°C temperature range.

FEATURES

- Simple and Dedicated for One Purpose
- SGMICRO's Patented Circuit w/o IP Conflict
- Autonomous Fixing CTIA/OMTP Ground Path
- Keep MIC Low When a 3-Pole Headset Identified
- Applicable to Both Driver Side and Earphone Side
- Low Ground Path Impedance
- Ground Path Voltage Drop Sensing
- Powered by Local Source or External Parasitics
- Ground Pin FM Antenna Path
- -40°C to +85°C Operating Temperature Range
- SGM2549D is Available in Green UTDFN-1.5×2-6L and SOT-23-6 Packages

APPLICATIONS

Phones/Pads/Computers/Media Players
Earphones/Phone-Jack Key/Phone-Jack Button

TYPICAL APPLICATION

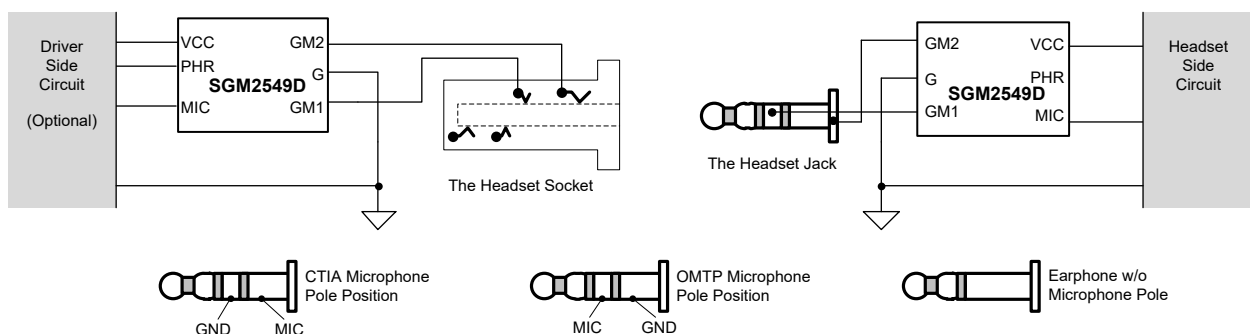


Figure 1. Typical Application Circuits for the Driver Side and the Earphone Side

CTIA/OMTP Headset Ground Pole Switch Autonomous Pole Position Fixing

SGM2549D

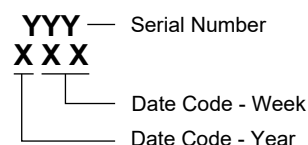
PACKAGE/ORDERING INFORMATION

MODEL	PACKAGE DESCRIPTION	SPECIFIED TEMPERATURE RANGE	ORDERING NUMBER	PACKAGE MARKING	PACKING OPTION
SGM2549D	UTDFN-1.5x2-6L	-40°C to +85°C	SGM2549DYUDT6G/TR	ML8 XXX	Tape and Reel, 3000
	SOT-23-6	-40°C to +85°C	SGM2549DYN6G/TR	ML9XX	Tape and Reel, 3000

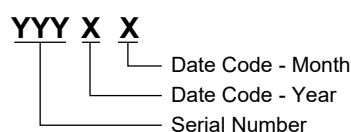
MARKING INFORMATION

NOTE: XXX = Date Code. XX = Date Code.

UTDFN-1.5x2-6L



SOT-23-6



Green (RoHS & HSF): SG Micro Corp defines "Green" to mean Pb-Free (RoHS compatible) and free of halogen substances. If you have additional comments or questions, please contact your SGMICRO representative directly.

ABSOLUTE MAXIMUM RATINGS

V _{CC}	-0.3V to 5.5V
Junction Temperature	+150°C
Storage Temperature Range.....	-65°C to +150°C
Lead Temperature (Soldering, 10s)	+260°C
ESD Susceptibility	
Any other Pins to G, HBM.....	3000V
GM1, GM2 to VCC, HBM.....	3000V
Rest other Pins to VCC, HBM.....	3000V
Any 2 Pins, MM.....	180V

RECOMMENDED OPERATING CONDITIONS

Supply Voltage Range:

V _{MIC}	1.7V to 2.4V
V _{CC}	≥ V _{MIC} - 0.15V, and in range of 1.7V to 5.5V
V _{PPSGM} (Parasitical Power from GM1/GM2)	2.6V to 5.5V
V _{PPSRC} (Parasitical Power from R/L Driver)	2.2V to 5.5V
Junction Temperature Range.....	-40°C to +125°C
Environmental Temperature Range	-40°C to +85°C

OVERSTRESS CAUTION

Stresses beyond those listed in Absolute Maximum Ratings may cause permanent damage to the device. Exposure to absolute maximum rating conditions for extended periods may affect reliability. Functional operation of the device at any conditions beyond those indicated in the Recommended Operating Conditions section is not implied.

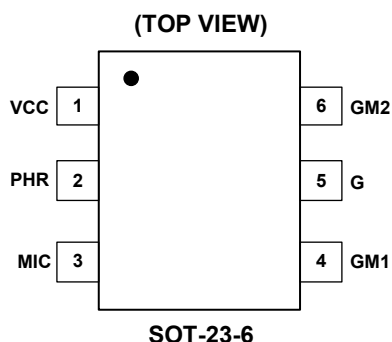
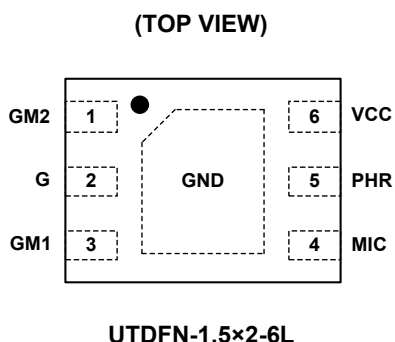
ESD SENSITIVITY CAUTION

This integrated circuit can be damaged by ESD if you don't pay attention to ESD protection. SGMICRO recommends that all integrated circuits be handled with appropriate precautions. Failure to observe proper handling and installation procedures can cause damage. ESD damage can range from subtle performance degradation to complete device failure. Precision integrated circuits may be more susceptible to damage because very small parametric changes could cause the device not to meet its published specifications.

DISCLAIMER

SG Micro Corp reserves the right to make any change in circuit design, or specifications without prior notice.

PIN CONFIGURATIONS



PIN DESCRIPTION

PIN		NAME	TYPE	FUNCTION
UTDFN-1.5x2-6L	SOT-23-6			
6	1	VCC	P	Power input to circuit in this IC.
5	2	PHR	I/O	The output of voltage drop along the earphone returning ground path. Signal picked at this node is used to suppress cross talk between 2 channels and between earphone driving and microphone output in either analog domain or digital domain.
4	3	MIC	P	Microphone bias and input switch node and parasitic power to internal circuit if using microphone bias to power this IC. Connect to the microphone bias of the circuit that this circuit works for.
3	4	GM1	IO	One possible grounding node. It is connected to MIC by default at power up.
2	5	G	G	Ground of the internal circuit and ground for the earphone.
1	6	GM2	IO	Another possible grounding node. It is connected to G by default at power up.

NOTE: I/O: Input or Output, G: Ground, P: Power for the circuit.

ELECTRICAL CHARACTERISTICS

(T_A = +25°C, V_{CC} = 3.6V, unless otherwise noted.)

PARAMETER	SYMBOL	CONDITIONS	MIN	TYP	MAX	UNITS
Supply Voltage	V _{CC}		1.7		5.5	V
Supply Voltage	V _{MIC}	Pull up through 2.5kΩ ~ 2.7kΩ resistor.	1.7		2.4	V
Parasitical Power from GM1/GM2	V _{PPSGM}	With no V _{CC} power supply.	2.6	3.3	5.5	V
Parasitical Power from R/L Driver	V _{PPSRC}	With no V _{CC} power supply.	2.2	3.3	5.5	V
Operation Current	I _{OP}	V _{CC} = 3.6V, V _{MIC} = 2.1V, when an earphone w/MIC plugged in, or when nothing plugged in.		1.3	2.1	μA
		V _{CC} = 1.7V to 5.5V, V _{MIC} = 1.7V to 2.4V, when an earphone w/MIC plugged in, or when nothing plugged in.			2.2	
	I _{OP1}	V _{CC} = 3.6V, V _{MIC} = 2.1V, when an earphone w/o MIC plugged in.		1.5		
Switch Paths						
Path Set Time	t _{DECT}	V _{CC} = 3.6V		7.5		ms
Path Detection Period	t	V _{CC} = 3.6V		1.9		s
GM1/GM2 to G Path Impedance	R _{ON1}	V _{CC} = 3.6V, V _{MIC} = 2.1V		70	100	mΩ
MIC to GM1/GM2 Path Impedance	R _{ON2}	V _{CC} = 3.6V, V _{MIC} = 2.1V		10		Ω
PHR to G Path Impedance	R _{ON3}	V _{CC} = 3.6V, V _{MIC} = 2.1V		46		Ω
Open Path Isolation	R _{ISO}	V _{CC} = 5V, any of GM1/GM2 to G, to MIC, to PHR.		56		MΩ
LR Crosstalk	CC _{1k}	V _{CC} = 3.6V, 1kHz 1V _{PP} , 32Ω load.		-52		dB
	CC _{10k}	V _{CC} = 3.6V, 10kHz 1V _{PP} , 32Ω load.		-53		dB
THD+N ⁽¹⁾		V _{CC} = 3.6V, 1kHz 1V _{PP} , 32Ω load.	See NOTE (1)			
		V _{CC} = 3.6V, 10kHz 1V _{PP} , 32Ω load.				
LR to PHR Crosstalk	SC _{1k}	V _{CC} = 3.6V, 1kHz 1V _{RMS} , feeding R/L through 32Ω.		-55		dB
	SC _{10k}	V _{CC} = 3.6V, 10kHz 1V _{RMS} , feeding R/L through 32Ω.		-55		dB
FM Band Insertion Loss	IL	100MHz, G connected 50Ω//4.7pF to GND.		-0.40		dB
FM Impedance	Z _{GM}	100MHz, -10dBm, from GM to G.		0.05 + 4.4j		Ω
	Z _G	100MHz, -10dBm, see Figure 6 for test circuit.		50.36 - 1.98j		Ω

NOTE 1: See no difference by insertion of the SGM2549D in test load, checked with an audio tester, SYS-2722.

TYPICAL APPLICATION CIRCUITS

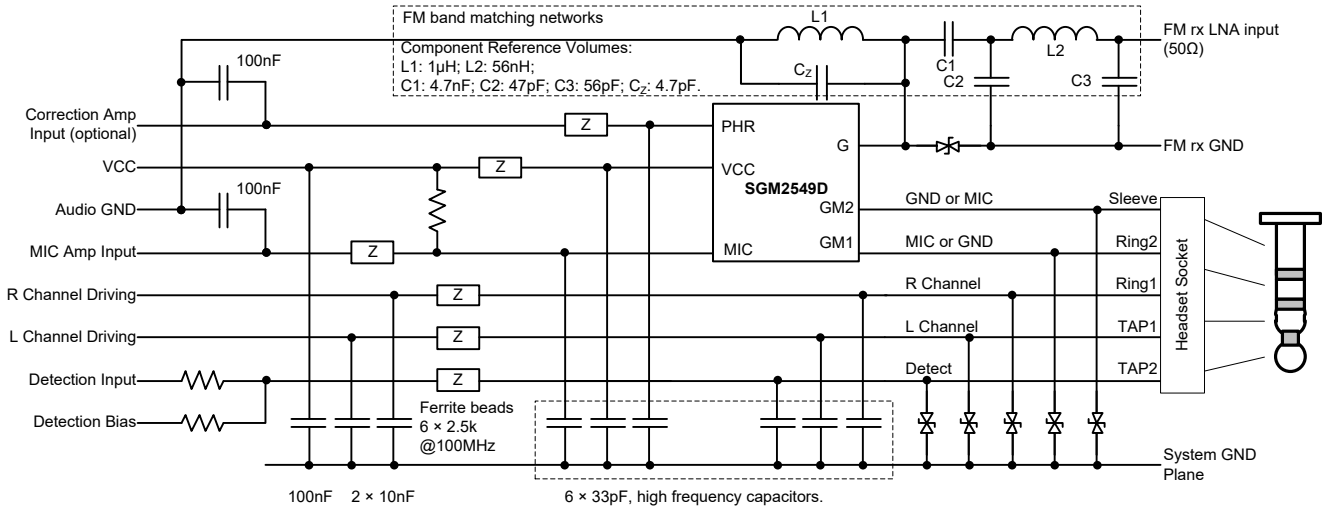


Figure 2. The SGM2549D in the Headset-Antenna Circuit with ESD Strengthening

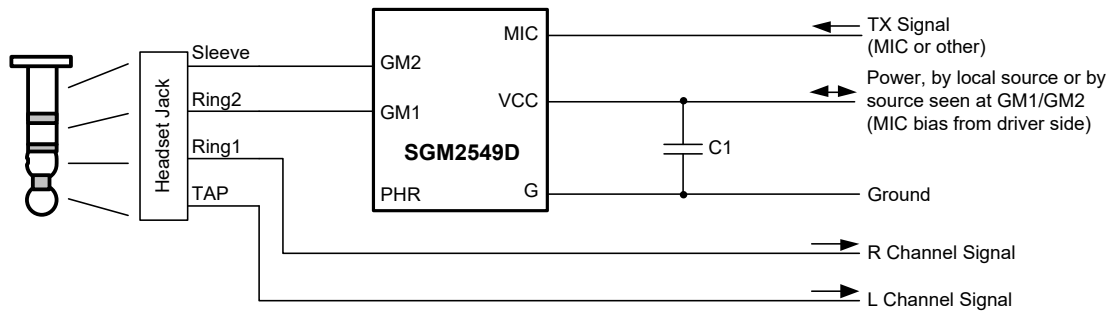


Figure 3. The Headset or Peripheral Side Application Circuit with Local Power or Parasitically Powered by Bias Input

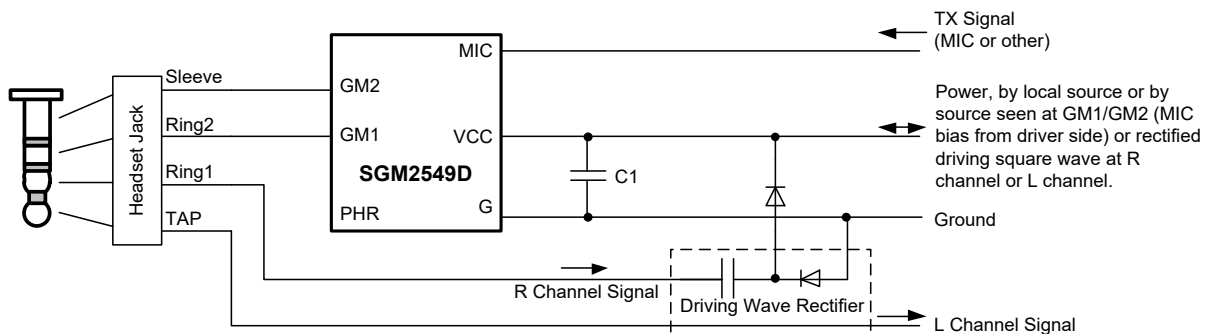


Figure 4. The Headset or Peripheral Side Application Circuit Powered by Driving Output of Source

FUNCTIONAL BLOCK DIAGRAM

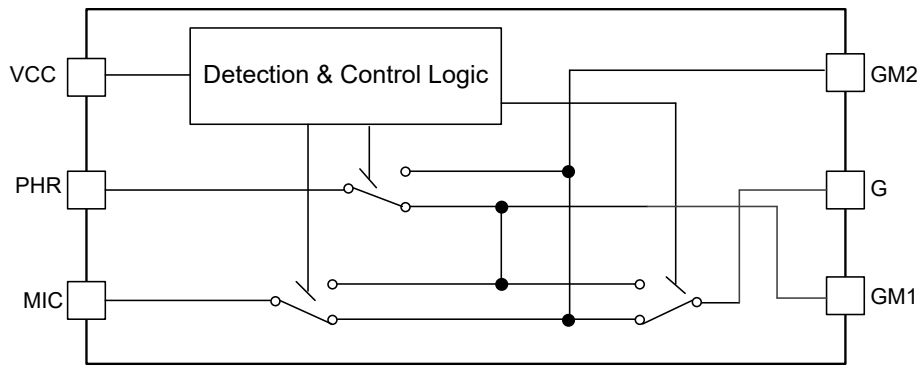


Figure 5. Functional Block Diagram

TEST CIRCUIT

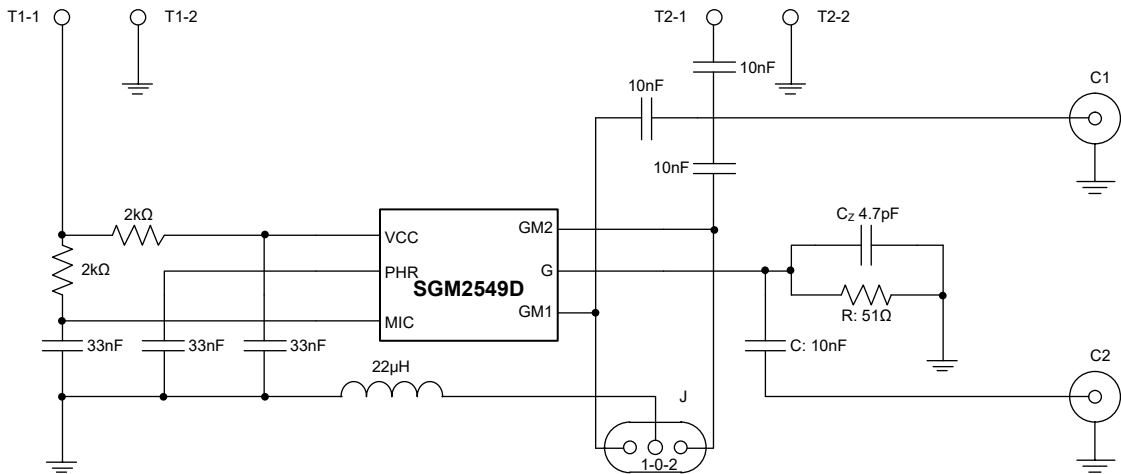
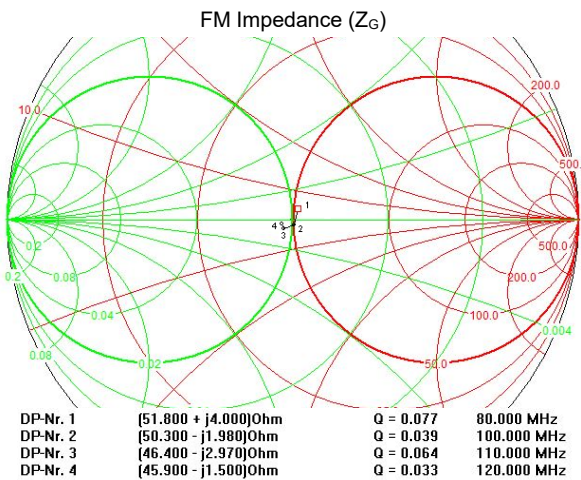
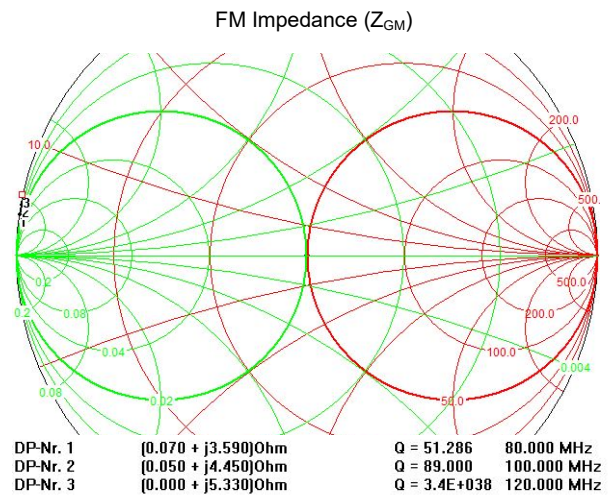
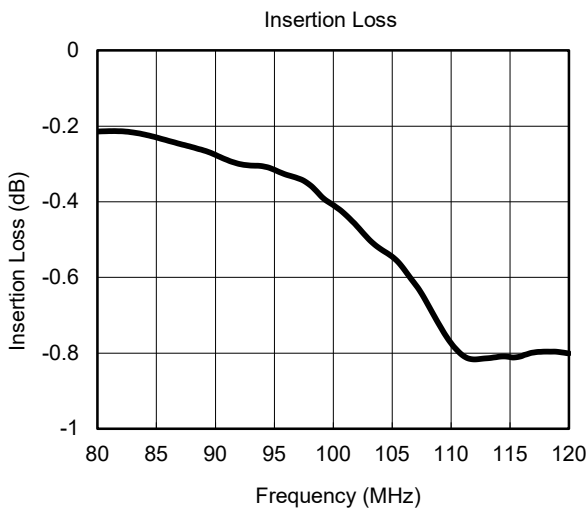
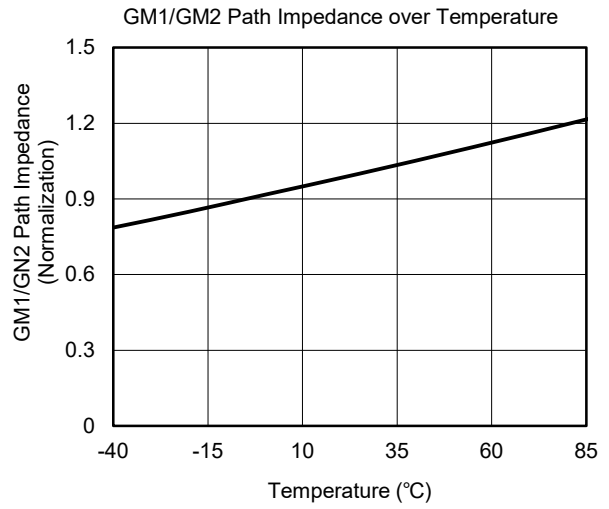
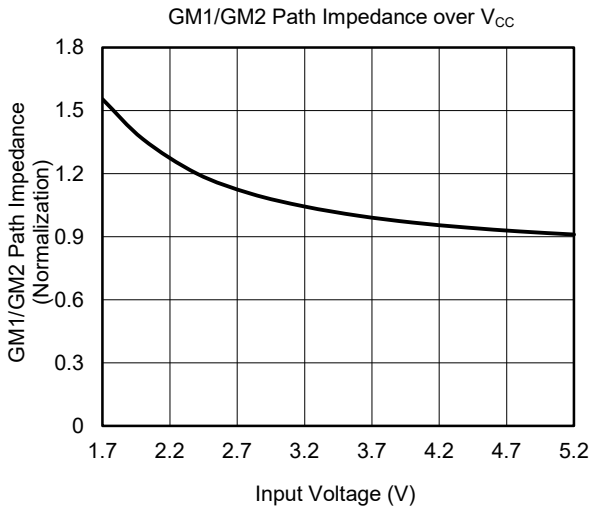


Figure 6. FM Band Parameters Test Circuit

TYPICAL PERFORMANCE CHARACTERISTICS

T_A = +25°C, unless otherwise noted.



FUNCTIONAL DESCRIPTION AND APPLICATIONS

The CTIA and the OMTP define different ground pole and MIC pole positions for the headset socket. The SGM2549D continuously monitors poles' states and makes right path selection for the ground pole and the MIC pole. If no pole stays high long enough, the SGM2549D will stop switching.

The SGM2549D works at both driver (the phone side) and the peripheral side (the earphone side) with no external devices needed, as showed in Figure 1. Diagrams showed in Figure 2 to Figure 4 are application circuits for making an earphone antenna, for strengthening ESD protection, and etc.

The SGM2549D could be powered by a power rail or by an external rectifier, as the Figure 3 or Figure 4 shows.

Making an Earphone Cable a Wipe Antenna

As showed in Figure 2, the LC networks composed of L2, C2 and C3 is essential for matching receiver input impedance, which is normally 50Ω and the impedance of a wipe antenna, 110Ω normally. The inductor L1 is to isolate the FM receiver ground from the ground of audio driver and ground plane of the whole circuit, which could be shorted if the ground of FM receiver is properly placed. The 6 units of 33pF caps provide current reflection terminations of rest wires in the earphone cable and make them a single string wipe antenna.

Strengthening ESD Protection

With its ESD cells on each GM1 pin and GM2 pin, and isolation effect of those ferrite beads, most of those transient voltage suppression diodes (TVS) showed in Figure 2 may not be necessary, except the one to protect the FM receiver input. However, those bond to socket contact always help in strengthening ESD protection.

Parasitic Power and MIC Bias

As in Figure 3 and Figure 4, the SGM2549D is possibly powered by MIC bias, or audio signal from driver when it is used in peripheral side.

The C1 stores power extracted from the MIC bias input or the driving waves of the R channel or L channel. The C1 could be eliminated if a true microphone is used at peripheral, as the microphone output only swings in several tens mV, which does not affect the circuitry much.

Crosstalk and Side-Tone Suppression

Figure 7 illustrates how the ground path inserts crosstalk between L and R channels and side-tone into the output of a microphone inherently. If the current in L channel speaker creates a voltage drop on the R_{ON} , then the R channel sees the drop as crosstalk. The sum of drops created by both L and R channels makes the ground reference to microphone, and then it adds into S_{MIC} and causes the side-tone.

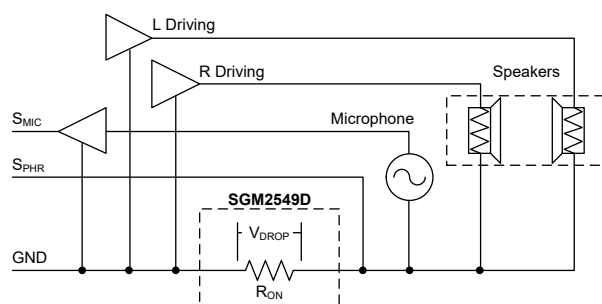
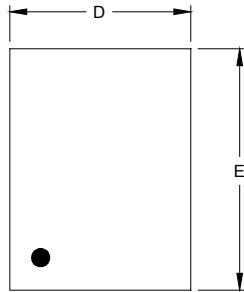


Figure 7. The Ground Path Impedance Drop

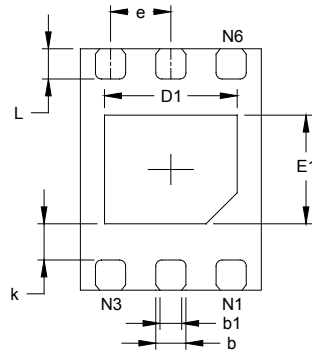
The conventional Howland is designed to correct the V_{DROP} that is sensed at the PHR of the SGM2549D, here the recommended method is to sense the S_{PHR} at the PHR pin and correct it digitally.

PACKAGE OUTLINE DIMENSIONS

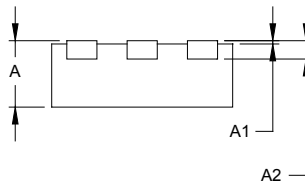
UTDFN-1.5×2-6L



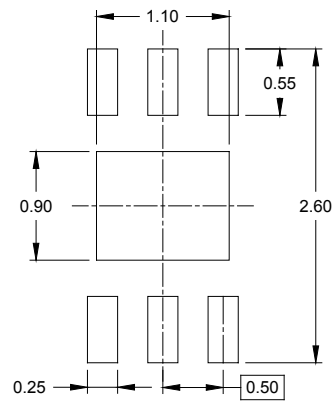
TOP VIEW



BOTTOM VIEW



SIDE VIEW

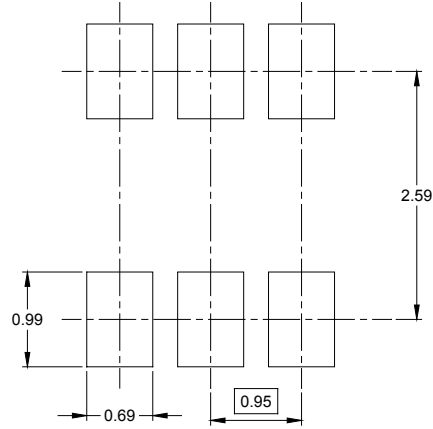
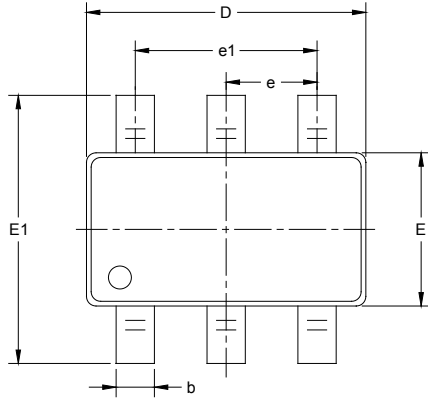


RECOMMENDED LAND PATTERN (Unit: mm)

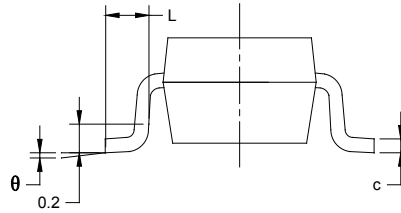
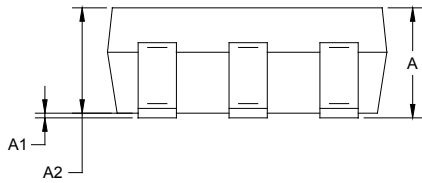
Symbol	Dimensions In Millimeters		Dimensions In Inches	
	MIN	MAX	MIN	MAX
A	0.500	0.600	0.020	0.024
A1	0.000	0.050	0.000	0.002
A2	0.152 REF		0.006 REF	
D	1.400	1.600	0.055	0.063
D1	1.000	1.200	0.039	0.047
E	1.900	2.100	0.075	0.083
E1	0.800	1.000	0.031	0.039
k	0.300 REF		0.012 REF	
b	0.200	0.300	0.008	0.012
b1	0.180 REF		0.007 REF	
e	0.500 BSC		0.020 BSC	
L	0.200	0.300	0.008	0.012

PACKAGE OUTLINE DIMENSIONS

SOT-23-6



RECOMMENDED LAND PATTERN (Unit: mm)



Symbol	Dimensions In Millimeters		Dimensions In Inches	
	MIN	MAX	MIN	MAX
A	1.050	1.250	0.041	0.049
A1	0.000	0.100	0.000	0.004
A2	1.050	1.150	0.041	0.045
b	0.300	0.500	0.012	0.020
c	0.100	0.200	0.004	0.008
D	2.820	3.020	0.111	0.119
E	1.500	1.700	0.059	0.067
E1	2.650	2.950	0.104	0.116
e	0.950 BSC		0.037 BSC	
e1	1.900 BSC		0.075 BSC	
L	0.300	0.600	0.012	0.024
θ	0°	8°	0°	8°

PACKAGE INFORMATION

TAPE AND REEL INFORMATION

REEL DIMENSIONS



TAPE DIMENSIONS



NOTE: The picture is only for reference. Please make the object as the standard.

KEY PARAMETER LIST OF TAPE AND REEL

Package Type	Reel Diameter	Reel Width W1 (mm)	A0 (mm)	B0 (mm)	K0 (mm)	P0 (mm)	P1 (mm)	P2 (mm)	W (mm)	Pin1 Quadrant
UTDFN-1.5×2-6L	7"	9.5	1.70	2.30	0.75	4.0	4.0	2.0	8.0	Q2
SOT-23-6	7"	9.5	3.17	3.23	1.37	4.0	4.0	2.0	8.0	Q3

D00001

PACKAGE INFORMATION

CARTON BOX DIMENSIONS



NOTE: The picture is only for reference. Please make the object as the standard.

KEY PARAMETER LIST OF CARTON BOX

Reel Type	Length (mm)	Width (mm)	Height (mm)	Pizza/Carton
7" (Option)	368	227	224	8
7"	442	410	224	18

DD0002

单击下面可查看定价，库存，交付和生命周期等信息

[>>SGMICRO\(圣邦微电子\)](#)