



SGM836xQ Microprocessor Supervisory Circuit with Programmable Delay Time for Automotive Applications

GENERAL DESCRIPTION

The SGM836xQ family can monitor system voltages from 0.4V to 5V. When the detection voltage falls below the preset threshold (V_{ITL}) or the manual reset (nMR) pin is driven low, the open-drain nRESET output is asserted. After the detection voltage and nMR voltage return higher than their respective thresholds, the nRESET output remains low within the user-adjustable delay time.

The SGM836xQ uses a precision reference to achieve 2.2% threshold accuracy under the temperature range of -40°C to $+125^{\circ}\text{C}$. The fixed reset timeout period can be set to 20ms by leaving the C_T pin open and can be set to 300ms by connecting the C_T pin to V_{DD} through a resistor. The programmable reset timeout period can be set from 1.1ms to 10s through an external capacitor connected to the C_T pin. Low quiescent current makes the SGM836xQ very suitable for battery-powered applications.

The device is AEC-Q100 qualified (Automotive Electronics Council (AEC) standard Q100 Grade 1) and it is suitable for automotive applications.

The SGM836xQ is available in Green SOT-23-6 and TDFN-2x2-6GL packages.

FEATURES

- AEC-Q100 Qualified for Automotive Applications
Device Temperature Grade 1
 $T_A = -40^{\circ}\text{C}$ to $+125^{\circ}\text{C}$
- Adjustable Reset Timeout Period: 1.1ms to 10s
- Low Quiescent Current: 0.6 μA (TYP)
- High Threshold Accuracy: 2.2% (MAX)
- 1.8V, 3.3V Factory-Set Detection Voltages and Adjustable Detection Voltage Down to 0.4V
- Manual Reset (nMR) Input
- Open-Drain nRESET Output
- Available in Green SOT-23-6 and TDFN-2x2-6GL Packages

APPLICATIONS

Automotive Applications
Computers
Portable Equipment
Intelligent Instruments
Microprocessor Systems
Critical μP Power Monitoring

TYPICAL APPLICATION

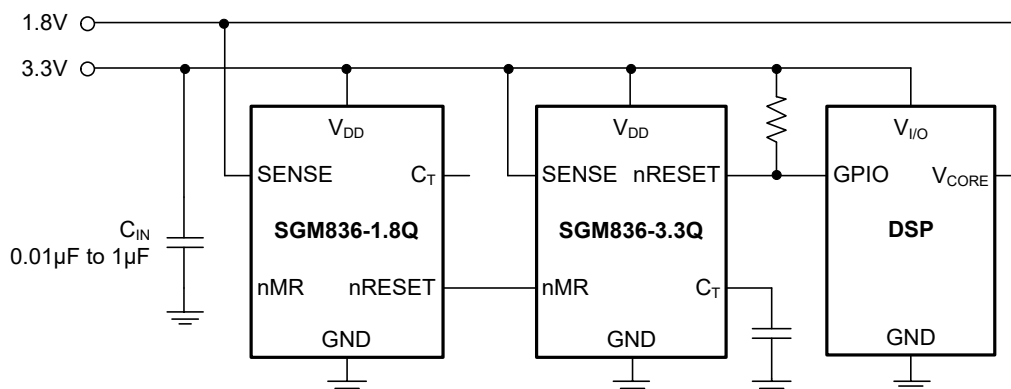
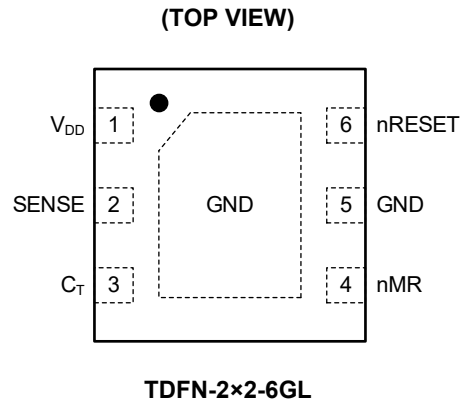
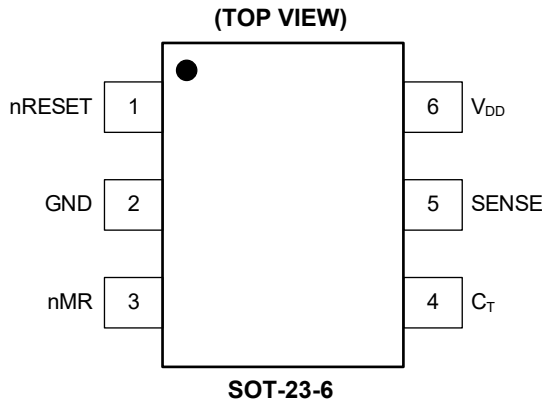


Figure 1. Typical Application Circuit

Microprocessor Supervisory Circuit with Programmable Delay Time for Automotive Applications

SGM836xQ

PIN CONFIGURATIONS



PIN DESCRIPTION

PIN		NAME	I/O	FUNCTION
SOT-23-6	TDFN-2x2-6GL			
1	6	nRESET	O	Active-Low Reset Output Pin. nRESET remains low if the SENSE input is below V_{ITL} or nMR is logic low. It goes (or remains) low for the reset timeout period after the SENSE voltage exceeds V_{ITH} and nMR pin is driven high. It is recommended to connect a 10k Ω to 1M Ω pull-up resistor to this pin which enables the reset voltages greater than V_{DD} .
2	5	GND	—	Ground.
3	4	nMR	I	Manual Reset Input Pin. Pulling this pin (nMR) low will assert nRESET. nMR is internally pulled up to V_{DD} by a 100k Ω resistor.
4	3	C_T	I	Reset Timeout Delay Programming Pin. The fixed delay time can be set by connecting a 40k Ω to 200k Ω resistor between C_T pin and V_{DD} or leaving it open. And the programmable delay time can be set by connecting a capacitor no less than 100pF to the ground.
5	2	SENSE	I	The Dedicated Voltage Monitor Pin. If the SENSE voltage falls below V_{ITL} , the nRESET will be asserted.
6	1	V_{DD}	I	Supply Voltage. It is recommended to place a 0.01 μ F to 1 μ F ceramic capacitor close to this pin.
—	Exposed Pad	GND	—	Exposed Pad. Connect it to the ground.

NOTE: I: input, O: output.

Microprocessor Supervisory Circuit with SGM836xQ Programmable Delay Time for Automotive Applications

ELECTRICAL CHARACTERISTICS

($V_{DD} = 1.65V$ to $6.5V$, $R_{LRESET} = 100k\Omega$ ⁽¹⁾, $T_A = -40^\circ C$ to $+125^\circ C$, typical values are at $T_A = +25^\circ C$, unless otherwise noted.)

PARAMETER	SYMBOL	CONDITIONS	MIN	TYP	MAX	UNITS
Input Supply Range	V_{DD}		1.65		6.5	V
Supply Current (Current into V_{DD} Pin)	I_{DD}	$V_{DD} = 3.3V$, nRESET not asserted, nMR, nRESET, C_T open		0.6	1.6	μA
		$V_{DD} = 6.5V$, nRESET not asserted, nMR, nRESET, C_T open		0.9	2.2	
Low-Level Output Voltage	V_{OL}	$1.3V \leq V_{DD} < 1.8V$, $I_{OL} = 0.4mA$			0.2	V
		$1.8V \leq V_{DD} \leq 6.5V$, $I_{OL} = 1mA$			0.3	
Power-On Reset Voltage	V_{POR}	$V_{OL} (MAX) = 0.2V$, $I_{nRESET} = 15\mu A$			0.8	V
Negative-Going Input Threshold Accuracy	V_{ITL}	All versions	-2.20		2.20	%
Positive-Going Input Threshold Accuracy	V_{ITH}	All versions	-2.60		2.60	%
Hysteresis on V_{ITL}	V_{HYS}	All versions			3.80	%
nMR Internal Pull-Up Resistance	R_{nMR}		40	100	170	$k\Omega$
Input Current at SENSE Pin	I_{SENSE}	SGM836-ADJQ, $V_{SENSE} = V_{ITL}$	-25		25	nA
		Fixed versions, $V_{SENSE} = 6.5V$		240		
nRESET Leakage Current	I_{OH}	$V_{nRESET} = 6.5V$, nRESET not asserted			2	μA
Input Capacitance, Any Pin	C_{IN}	C_T pin, $V_{IN} = 0V$ to V_{DD}		5		pF
		Other pins, $V_{IN} = 0V$ to $6.5V$		5		
nMR Input	V_{IL}	Logic low	0		$0.3 \times V_{DD}$	V
	V_{IH}	Logic high	$0.7 \times V_{DD}$		V_{DD}	
Input Pulse Width to nRESET	t_{SENSE}	$V_{IH} = 1.05 \times V_{ITL}$, $V_{IL} = 0.95 \times V_{ITL}$		55		μs
	t_{nMR}	$V_{IH} = 0.7 \times V_{DD}$, $V_{IL} = 0.3 \times V_{DD}$		120		ns
C_T Source Threshold Voltage	$V_{TH-RAMP}$			1.21		V
C_T Source Current	I_{RAMP}			230		nA
nRESET Delay Time	t_D	$C_T = open$	7	19	29	ms
		$C_T = V_{DD}$	88	280	445	
		$C_T = 100pF$	0.51	1.08	1.65	
Propagation Delay	t_{MR}	nMR to nRESET		150		ns
High-to-Low Level nRESET Delay	t_{RP0}	SENSE to nRESET		75		μs

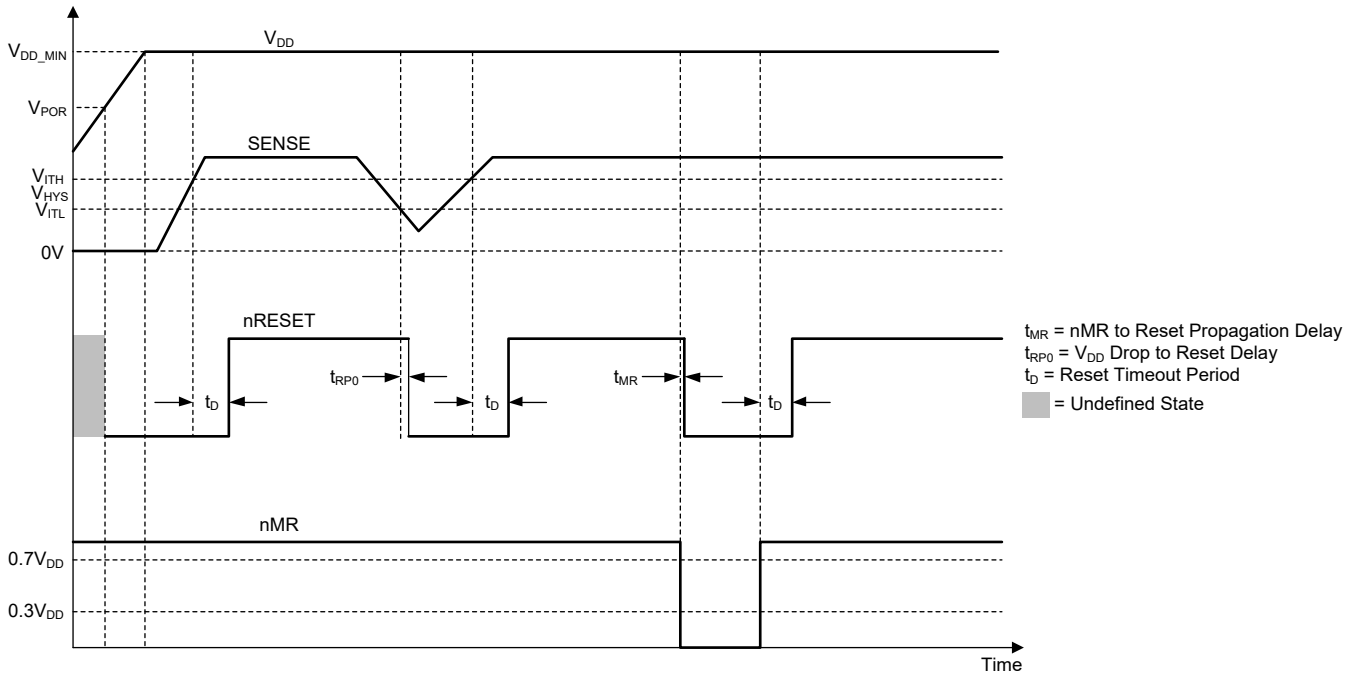
NOTE:

1. R_{LRESET} is the resistor connected to the nRESET pin.

Microprocessor Supervisory Circuit with Programmable Delay Time for Automotive Applications

SGM836xQ

TIMING DIAGRAM



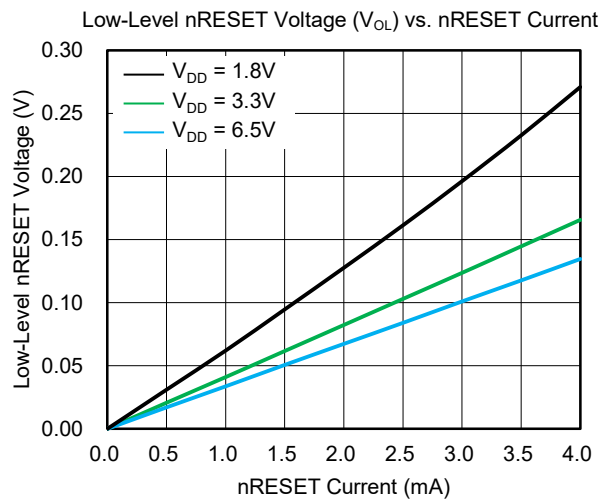
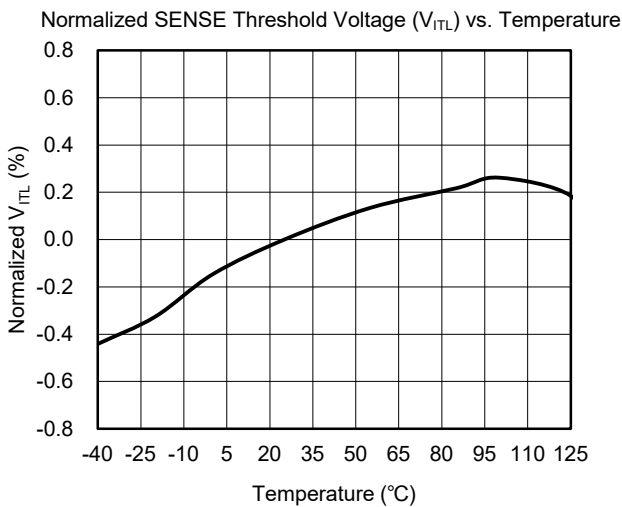
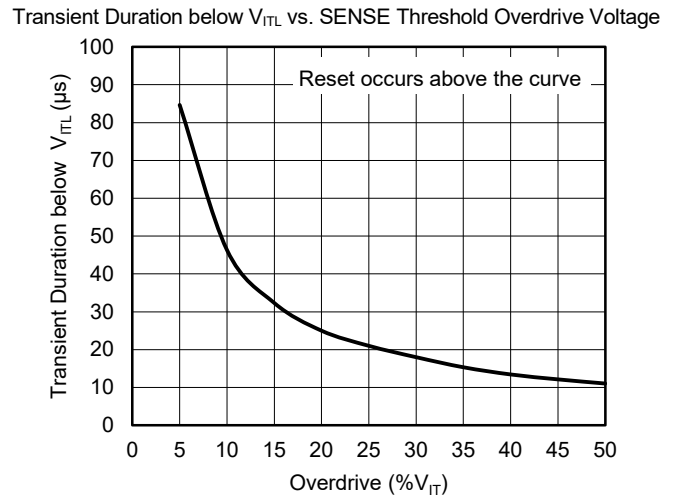
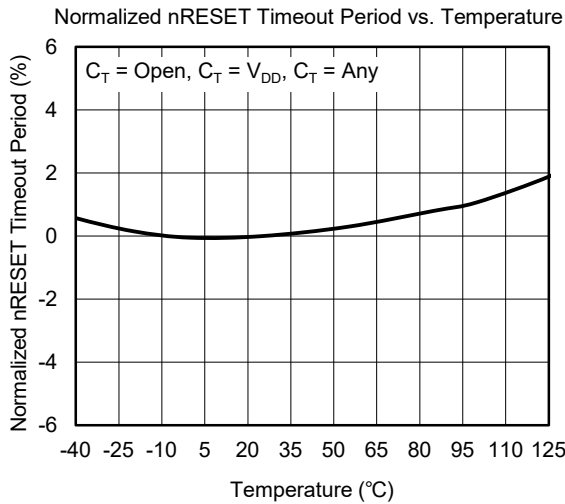
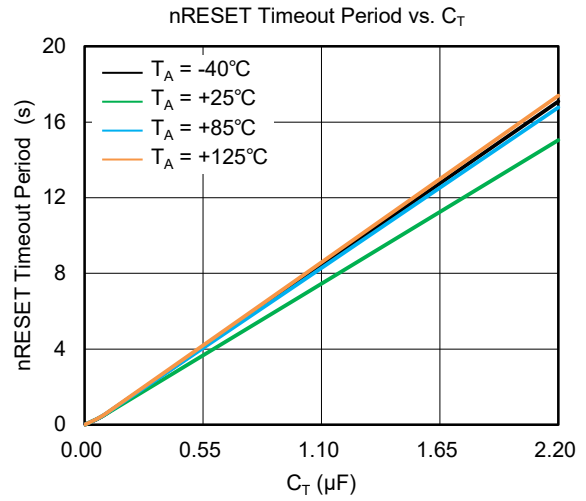
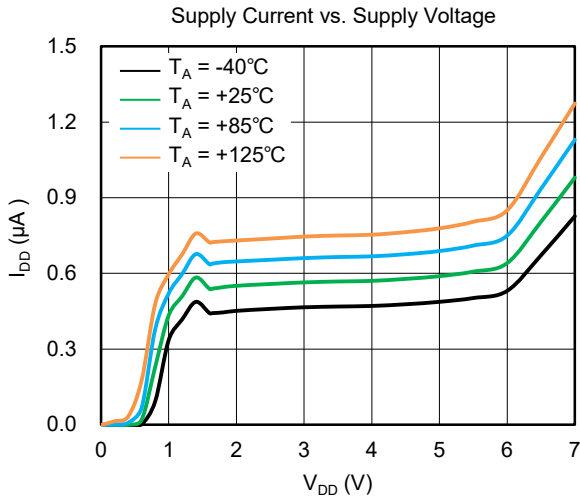
NOTE: The SENSE is also allowed to power on before the V_{DD} is powered on, but the effective output for the SENSE detection is performed after the V_{DD} is powered on.

Figure 2. SGM836xQ Timing Diagram Showing nMR and SENSE Reset Timing

Microprocessor Supervisory Circuit with SGM836xQ Programmable Delay Time for Automotive Applications

TYPICAL PERFORMANCE CHARACTERISTICS

$T_A = +25^\circ\text{C}$, $V_{DD} = 3.3\text{V}$ and $R_{L\text{RESET}} = 100\text{k}\Omega$, unless otherwise noted.



SGM836xQ Microprocessor Supervisory Circuit with Programmable Delay Time for Automotive Applications

FUNCTIONAL BLOCK DIAGRAM

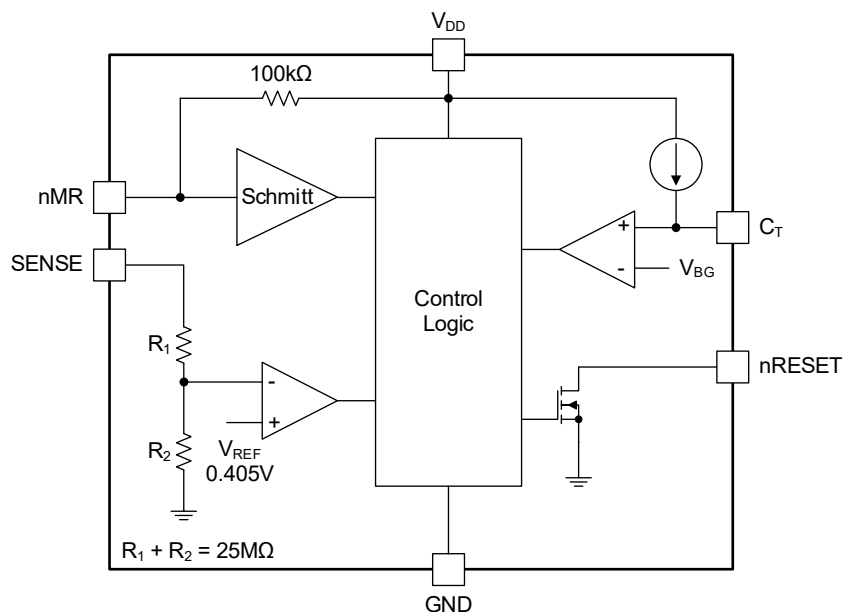


Figure 3. Fixed Voltage Version Block Diagram

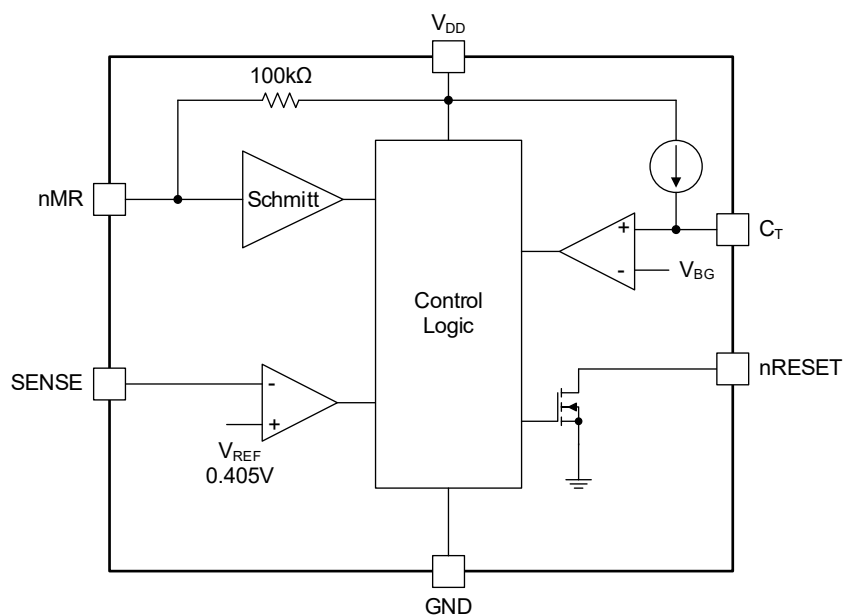


Figure 4. Adjustable Voltage Version Block Diagram

SGM836xQ Microprocessor Supervisory Circuit with Programmable Delay Time for Automotive Applications

DETAILED DESCRIPTION

When the SENSE voltage falls below V_{ITL} or the nMR pin is driven low, the open-drain nRESET output is asserted. After the SENSE and nMR voltages exceed their respective thresholds, the nRESET output remains low within the user-adjustable delay time.

Feature Description

The SGM836xQ device has a reset delay time adjustment function and a wide range of detection thresholds, so it can be widely used in various applications. The factory-set detection threshold voltages are 1.8V and 3.3V, while the SGM836-ADJQ detection threshold voltages must be set above 0.405V through an external resistor divider. The fixed 20ms reset timeout period can be set by leaving the C_T pin open, and it also can be set to 300ms by connecting the C_T pin to V_{DD} through a resistor. The reset timeout period can be set from 1.1ms to 10s through programming an external capacitor which is connected to the C_T pin.

SENSE Input

The SENSE pin is dedicated to voltage monitoring. The nRESET will be asserted if the SENSE voltage falls below V_{ITL} . The internal comparator has built-in hysteresis to ensure smooth nRESET. It is recommended to connect a bypass capacitor from 1nF to 10nF at the SENSE pin to reduce the sensitivity to voltage transient and PCB layout parasitic. The SGM836xQ is immune to short negative transients on the SENSE pin. Sensitivity to transients is dependent on the voltage overdrive on this pin. The SGM836-ADJQ typical circuit shown in Figure 5 can monitor any voltage rail as low as 0.405V.

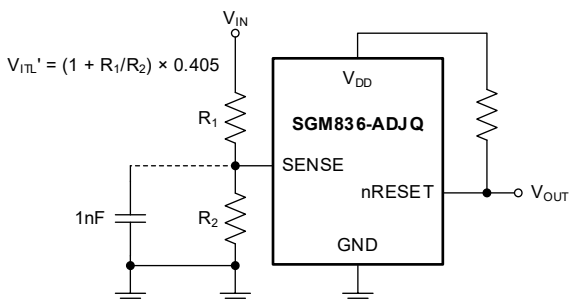
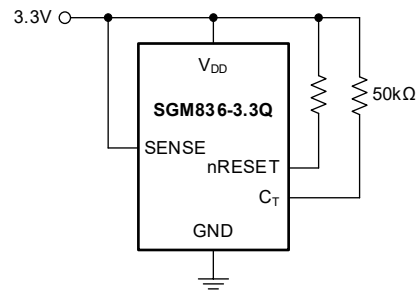


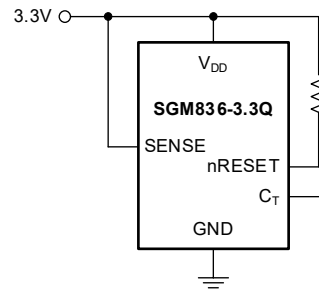
Figure 5. The SGM836-ADJQ is Used to Monitor a User-Defined Threshold Voltage

Setting the Reset Delay Time

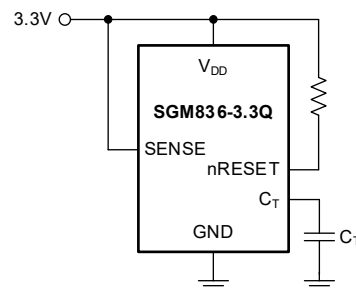
There are 3 typical applications to set the reset timeout delay in Figure 6, Figure 6 (a) shows that the C_T pin is connected to V_{DD} through a resistor (from 40kΩ to 200kΩ must be used) to configure for a fixed 300ms delay time. Figure 6 (b) shows that leaving the C_T pin open to set a fixed 20ms delay time. Figure 6 (c) shows that the user-defined time can be set through programming the capacitor between the C_T pin and the ground. t_D is always recommended between 1.1ms and 10s.



(a) 300ms Delay



(b) 20ms Delay



(c) Programmable Delay

Figure 6. Different Setting Methods of the nRESET Delay Time

SGM836xQ Microprocessor Supervisory Circuit with Programmable Delay Time for Automotive Applications

DETAILED DESCRIPTION (continued)

The nominal value of C_T should be at least 100pF, so that the SGM836xQ can identify the presence of the capacitor. The reset timeout delay can be calculated by using Equation 1:

$$t_D (\mu s) = (5.25 \times 10^6) \times C_T (\mu F) + 550\mu s \quad (1)$$

Internally there is a precise 230nA current source, which charges the external capacitor C_T to 1.21V threshold, and this charge time will determine the reset timeout delay.

The capacitor will be discharged if nRESET is asserted. After clearing the nRESET condition, the internal current source will be enabled and the external capacitor will be recharged. When the voltage on the capacitor reaches 1.21V, nRESET is set to be invalid. It is recommended to use low leakage capacitors such as ceramics, and the stray capacitance around the pins may cause errors in the reset delay time.

Manual Reset (nMR) Input

The manual reset (nMR) input allows the operator, test technician, or external logic circuit to initiate a reset. A logic low ($0.3 \times V_{DD}$) on nMR forces the nRESET low. After nMR returns to a logic high and the SENSE voltage rises above its reset threshold, nRESET is deasserted after a reset delay time period (t_D). nMR is pulled up to V_{DD} with an internal 100kΩ resistor. This pin can be left floating if nMR is not used.

Figure 8 shows how to use nMR to monitor multiple system voltages. If the logic signal does not drive nMR

fully to V_{DD} , some extra current will flow into V_{DD} due to the pull-up resistor on nMR. Figure 7 shows how to use an external FET to minimize the current draw.

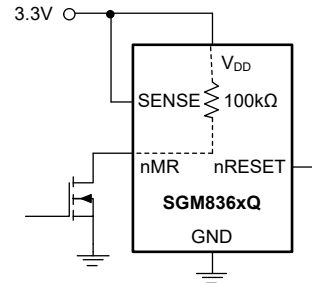


Figure 7. An External MOSFET is Used to Minimize I_{DD}

nRESET Output

As long as SENSE voltage exceeds V_{ITH} and the nMR is logic high, nRESET remains high (deasserted). Either V_{SENSE} is lower than V_{ITL} or nMR is set low, nRESET will be low (asserted).

If nMR returns to logic high again and SENSE voltage exceeds V_{ITH} ($V_{ITL} + V_{HYS}$), nRESET will remain low for a fixed reset delay time due to the delay circuit function. As soon as the reset delay has expired, the nRESET turns into logic high. The pull-up resistor between nRESET and V_{DD} can be used to reset the microprocessor signal to obtain a voltage above V_{DD} voltage. The pull-up resistor should be no less than 10kΩ due to the limited nRESET pull-down ability.

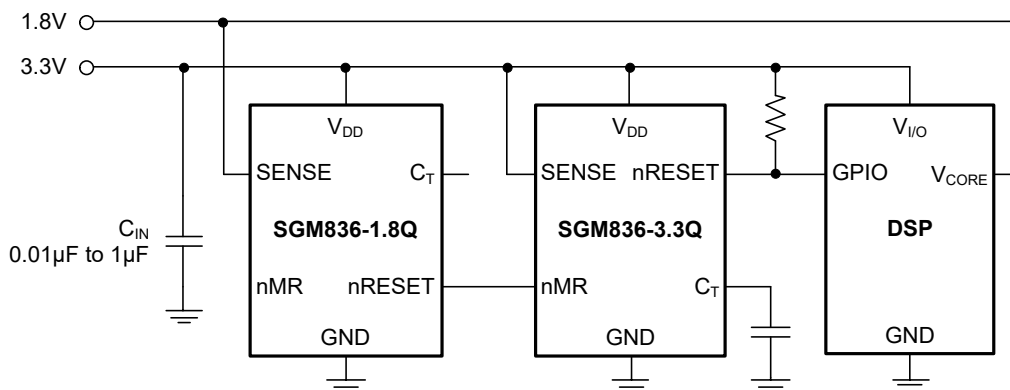


Figure 8. Monitor Multiple System Voltages Using the nMR Pin

SGM836xQ Microprocessor Supervisory Circuit with Programmable Delay Time for Automotive Applications

APPLICATION INFORMATION

Device Functional Modes

Normal Operation ($V_{DD} > V_{DD_MIN}$)

When the V_{DD} voltage is higher than V_{DD_MIN} , the logic state of nRESET is determined by V_{SENSE} and the logic state of nMR.

- nMR high: When V_{DD} voltage is higher than 1.65V for a selected time (t_D), the nRESET logic state corresponds to V_{SENSE} relative to V_{ITL} .
- nMR low: nRESET is held low regardless of V_{SENSE} in this mode.

Above Power-On Reset but Lower than V_{DD_MIN} ($V_{POR} < V_{DD} < V_{DD_MIN}$)

When the V_{DD} voltage is lower than V_{DD_MIN} and higher than the power-on reset voltage (V_{POR}), the nRESET is asserted and driven to a low-impedance state.

Below Power-On Reset ($V_{DD} < V_{POR}$)

When the V_{DD} voltage is lower than the required voltage (V_{POR}), the nRESET voltage is undefined. In the case of nRESET pulling up to V_{DD} through a 100kΩ resistor, nRESET voltage is equal to or lower than V_{DD} voltage.

Table 1. Matrices of the nRESET Output

nMR	SENSE	nRESET
L	$SENSE < V_{ITL}$	L
L	$SENSE > V_{ITH}$	L
H	$SENSE < V_{ITL}$	L
H	$SENSE > V_{ITH}$	H

The SGM836xQ requires a voltage supply between 1.65V and 6.5V. Figure 9 shows a typical application of the SGM836-3.3Q used with a 3.3V microprocessor. Normally, the nRESET output is connected to the

nRESET input of the microprocessor. It is necessary to connect a 1MΩ pull-up resistor between nRESET and V_{DD} to keep the nRESET logic high if it is not asserted.

The reset delay time can be set by C_T while it depends on the requirement of microprocessor. If left it open, a typical 20ms of reset delay time is set.

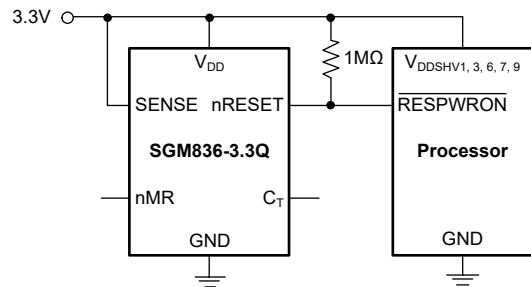


Figure 9. SGM836xQ Typical Application circuit with a Microprocessor

Voltage Transient on SENSE Pin

The short negative transient on the SENSE pin of the SGM836xQ can be relatively immune. The sensitivity to voltage transients depends on the value of threshold overdrive. The larger the overdrive, the faster the nRESET response. V_{ITL} is the threshold voltage in Equation 2. Use the percent of the sense voltage threshold to calculate the threshold overdrive.

$$\text{Overdrive} = | (V_{SENSE}/V_{ITL} - 1) \times 100\% | \quad (2)$$

Layout Guide

It is recommended to connect a 0.01μF to 1μF ceramic capacitor to the V_{DD} pin as close as possible. If there is no connection capacitor, minimize the parasitic capacitor to avoid a significant impact on the nRESET delay time.

REVISION HISTORY

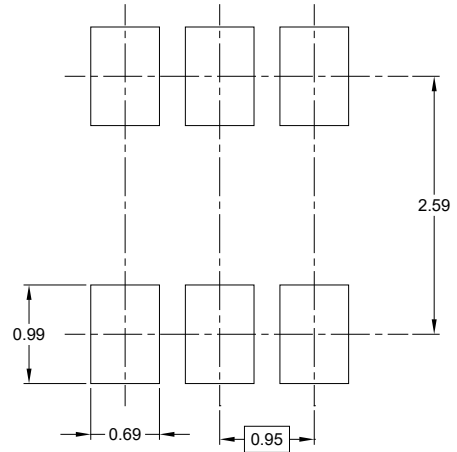
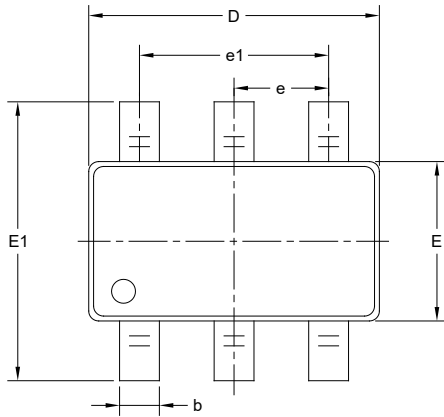
NOTE: Page numbers for previous revisions may differ from page numbers in the current version.

Changes from Original (SEPTEMBER 2024) to REV.A

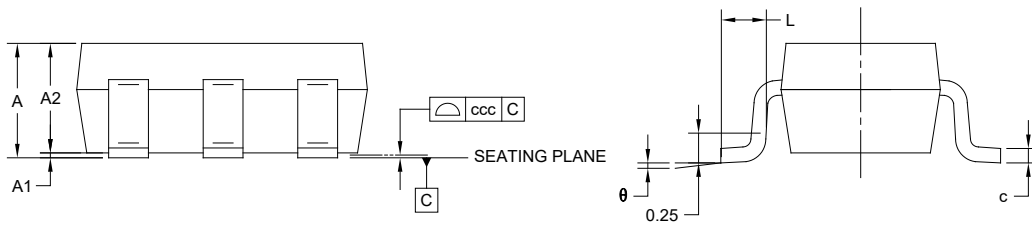
Changes from Original (SEPTEMBER 2024) to REV.A	Page
Changed from product preview to production data.....	All

PACKAGE OUTLINE DIMENSIONS

SOT-23-6



RECOMMENDED LAND PATTERN (Unit: mm)



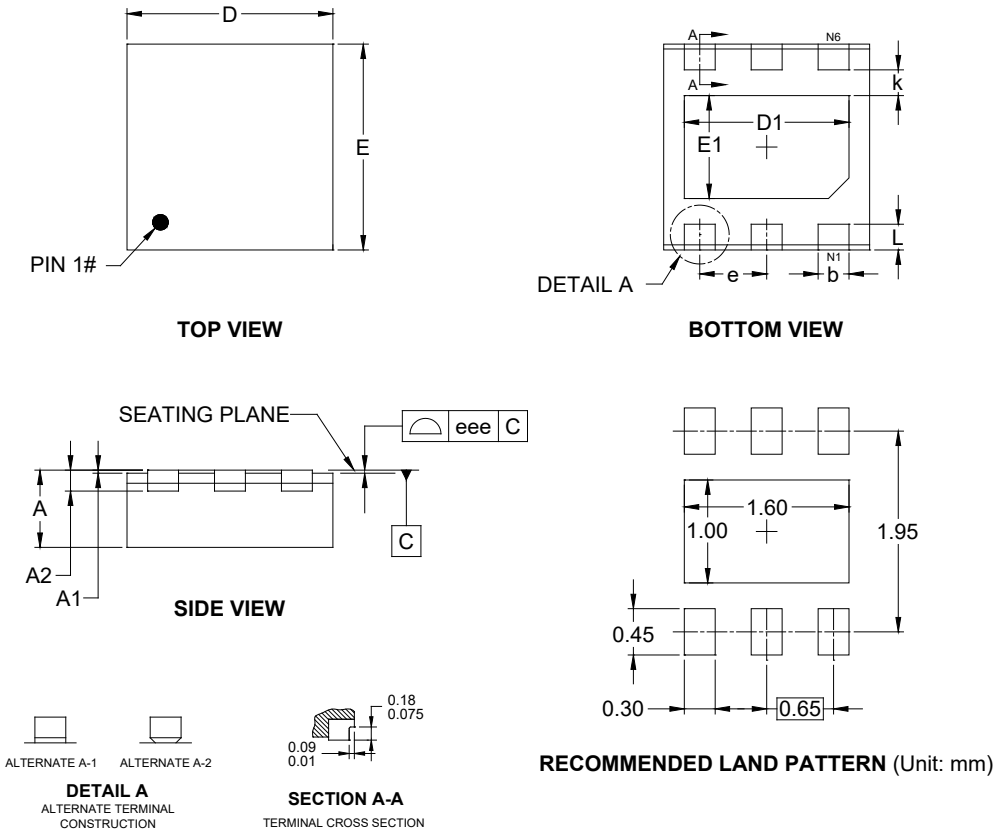
Symbol	Dimensions In Millimeters		
	MIN	MOD	MAX
A	-	-	1.450
A1	0.000	-	0.150
A2	0.900	-	1.300
b	0.300	-	0.500
c	0.080	-	0.220
D	2.750	-	3.050
E	1.450	-	1.750
E1	2.600	-	3.000
e	0.950 BSC		
e1	1.900 BSC		
L	0.300	-	0.600
θ	0°	-	8°
ccc	0.100		

NOTES:

1. This drawing is subject to change without notice.
2. The dimensions do not include mold flashes, protrusions or gate burrs.
3. Reference JEDEC MO-178.

PACKAGE OUTLINE DIMENSIONS

TDFN-2x2-6GL



Symbol	Dimensions In Millimeters		
	MIN	MOD	MAX
A	0.700	-	0.800
A1	0.000	-	0.050
A2	0.203 REF		
b	0.250	-	0.350
D	1.900	-	2.100
E	1.900	-	2.100
D1	1.500	-	1.700
E1	0.900	-	1.100
e	0.650 BSC		
L	0.150	-	0.350
k	0.250 REF		
eee	0.080		

NOTE: This drawing is subject to change without notice.

TAPE AND REEL INFORMATION

REEL DIMENSIONS



TAPE DIMENSIONS



NOTE: The picture is only for reference. Please make the object as the standard.

KEY PARAMETER LIST OF TAPE AND REEL

Package Type	Reel Diameter	Reel Width W1 (mm)	A0 (mm)	B0 (mm)	K0 (mm)	P0 (mm)	P1 (mm)	P2 (mm)	W (mm)	Pin1 Quadrant
SOT-23-6	7"	9.5	3.23	3.17	1.37	4.0	4.0	2.0	8.0	Q3
TDFN-2x2-6GL	7"	9.5	2.30	2.30	1.10	4.0	4.0	2.0	8.0	Q2

000001

PACKAGE INFORMATION

CARTON BOX DIMENSIONS



NOTE: The picture is only for reference. Please make the object as the standard.

KEY PARAMETER LIST OF CARTON BOX

Reel Type	Length (mm)	Width (mm)	Height (mm)	Pizza/Carton
7" (Option)	368	227	224	8
7"	442	410	224	18

DD0002

单击下面可查看定价，库存，交付和生命周期等信息

[>>SGMICRO\(圣邦微电子\)](#)