

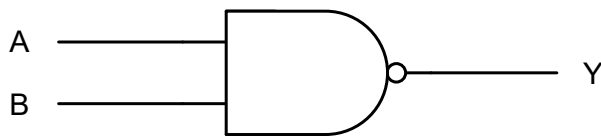
### GENERAL DESCRIPTION

The SGM7SZ00 is a single two-input NAND gate with advanced CMOS technology. The supply voltage pin of this device accepts any voltage from 1.65V to 5.5V. The inputs can tolerate a maximum of 6V regardless of the supply voltage range. When  $V_{CC}$  is at 0V, the inputs and output are in the high-impedance state.

This device can achieve ultra-high speed operation with high output drive, while the low static power dissipation over the wide supply voltage operating range is maintained.

The SGM7SZ00 is available in Green SC70-5 and SOT-23-5 packages. It operates over an ambient temperature range of -40°C to +85°C.

### LOGIC SYMBOL



### FEATURES

- **Wide Supply Voltage Range: 1.65V to 5.5V**
- **Ultra-High Speed:  $t_{PD}$  of 4.1ns (TYP) into 50pF at  $V_{CC} = 3.3V$**
- **Support LCX Performance at  $V_{CC} = 3.3V$**
- **High Output Drive:  $\pm 24mA$  at  $V_{CC} = 3V$**
- **Inputs Over-Voltage Tolerance Makes 5V to 3V Translation Available**
- **Power Down High-Impedance Inputs/Output**
- **Available in Green SOT-23-5 and SC70-5 Packages**

### FUNCTION TABLE

INPUTS		OUTPUT
A	B	Y
L	L	H
L	H	H
H	L	H
H	H	L

$$Y = \overline{AB}$$

H = HIGH Logic Level

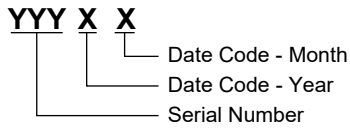
L = LOW Logic Level

**PACKAGE/ORDERING INFORMATION**

MODEL	PACKAGE DESCRIPTION	SPECIFIED TEMPERATURE RANGE	ORDERING NUMBER	PACKAGE MARKING	PACKING OPTION
SGM7SZ00	SC70-5	-40°C to +85°C	SGM7SZ00YC5G/TR	SF1XX	Tape and Reel, 3000
	SOT-23-5	-40°C to +85°C	SGM7SZ00YN5G/TR	SF2XX	Tape and Reel, 3000

**MARKING INFORMATION**

NOTE: XX = Date Code.



Green (RoHS & HSF): SG Micro Corp defines "Green" to mean Pb-Free (RoHS compatible) and free of halogen substances. If you have additional comments or questions, please contact your SGMICRO representative directly.

**ABSOLUTE MAXIMUM RATINGS**

Supply Voltage, V <sub>CC</sub> .....	-0.5V to 6.0V
DC Input Voltage, V <sub>IN</sub> .....	-0.5V to 6.0V
DC Output Voltage, V <sub>OUT</sub> .....	-0.5V to 6.0V
DC Input Diode Current, I <sub>IK</sub> (V <sub>IN</sub> < -0.5V).....	-50mA
DC Output Diode Current, I <sub>OK</sub> (V <sub>OUT</sub> < -0.5V).....	-50mA
DC Output Current, I <sub>OUT</sub> .....	±50mA
DC V <sub>CC</sub> or Ground Current, I <sub>CC</sub> or I <sub>GND</sub> .....	±50mA
Junction Temperature.....	+150°C
Storage Temperature Range.....	-65°C to +150°C
Lead Temperature (Soldering, 10s).....	+260°C
<b>ESD Susceptibility</b>	
HBM.....	8000V
MM.....	400V

**RECOMMENDED OPERATING CONDITIONS**

Operating Temperature Range .....	-40°C to +85°C
-----------------------------------	----------------

**OVERSTRESS CAUTION**

Stresses beyond those listed in Absolute Maximum Ratings may cause permanent damage to the device. Exposure to absolute maximum rating conditions for extended periods may affect reliability. Functional operation of the device at any conditions beyond those indicated in the Recommended Operating Conditions section is not implied.

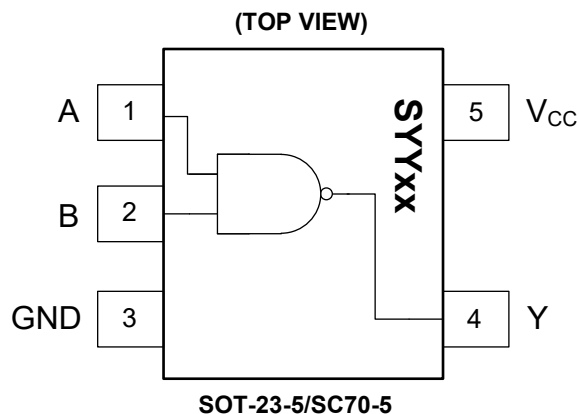
**ESD SENSITIVITY CAUTION**

This integrated circuit can be damaged if ESD protections are not considered carefully. SGMICRO recommends that all integrated circuits be handled with appropriate precautions. Failure to observe proper handling and installation procedures can cause damage. ESD damage can range from subtle performance degradation to complete device failure. Precision integrated circuits may be more susceptible to damage because even small parametric changes could cause the device not to meet the published specifications.

**DISCLAIMER**

SG Micro Corp reserves the right to make any change in circuit design, or specifications without prior notice.

## PIN CONFIGURATIONS



## PIN DESCRIPTION

PIN	NAME	FUNCTION
1	A	Input. Unused input must be held high or low. It may not float.
2	B	Input. Unused input must be held high or low. It may not float.
3	GND	Ground.
4	Y	Output.
5	V <sub>CC</sub>	Power Supply.

## ELECTRICAL CHARACTERISTICS

(T<sub>A</sub> = -40°C to +85°C, typical values are at T<sub>A</sub> = +25°C, unless otherwise noted.)

PARAMETER	SYMBOL	CONDITIONS	V <sub>CC</sub> (V)	MIN	TYP	MAX	UNITS	
<b>General</b>								
Power Supply Range	V <sub>CC</sub>			1.65		5.50	V	
Supply Voltage Data Retention				1.50		5.50		
Input Voltage	V <sub>IN</sub>			0.00		5.50	V	
Output Voltage	V <sub>OUT</sub>			0.00		V <sub>CC</sub>	V	
Input Rise and Fall Times	t <sub>r</sub> , t <sub>f</sub>		1.8, 2.5 ± 0.2	0		20	ns/V	
			3.3 ± 0.3	0		10		
			5.0 ± 0.5	0		5		
<b>DC Performance</b>								
HIGH Level Input Voltage	V <sub>IH</sub>		1.65 to 5.5	0.75V <sub>CC</sub>			V	
LOW Level Input Voltage	V <sub>IL</sub>		1.65 to 5.5			0.25V <sub>CC</sub>	V	
HIGH Level Output Voltage	V <sub>OH</sub>	V <sub>IN</sub> = V <sub>IL</sub>	I <sub>OH</sub> = -100μA	1.65	1.62	1.65	V	
				1.80	1.77	1.80		
				2.30	2.27	2.30		
				3.00	2.97	3.00		
				4.50	4.47	4.50		
			I <sub>OH</sub> = -4mA	1.65	1.46	1.55		
			I <sub>OH</sub> = -8mA	2.30	2.03	2.18		
			I <sub>OH</sub> = -16mA	3.00	2.51	2.81		
			I <sub>OH</sub> = -24mA	3.00	2.34	2.70		
LOW Level Output Voltage	V <sub>OL</sub>	V <sub>IN</sub> = V <sub>IH</sub>	I <sub>OL</sub> = 100μA	1.65		0.00	0.02	
				1.80		0.00	0.02	
				2.30		0.00	0.02	
				3.00		0.00	0.02	
				4.50		0.00	0.02	
			I <sub>OL</sub> = 4mA	1.65		0.06	0.11	
			I <sub>OL</sub> = 8mA	2.30		0.09	0.17	
			I <sub>OL</sub> = 16mA	3.00		0.16	0.32	
			I <sub>OL</sub> = 24mA	3.00		0.24	0.49	
			I <sub>OL</sub> = 32mA	4.50		0.29	0.55	
Input Leakage Current	I <sub>IN</sub>	V <sub>IN</sub> = 5.5V, GND		0 to 5.5		±0.10	±5	μA
Power Off Leakage Current	I <sub>OFF</sub>	V <sub>IN</sub> or V <sub>OUT</sub> = 5.5V		0		0.10	5	μA
Quiescent Supply Current	I <sub>CC</sub>	V <sub>IN</sub> = 5.5V, GND		1.65 to 5.5		0.10	10	μA

**ELECTRICAL CHARACTERISTICS (continued)**

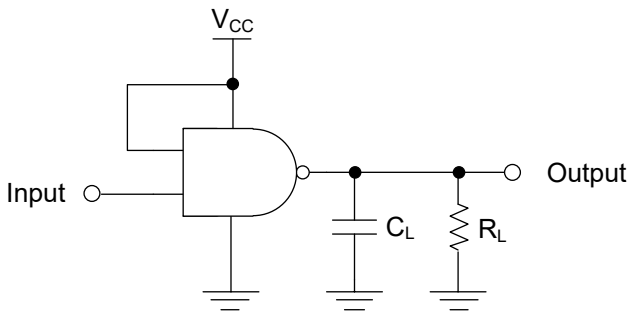
(T<sub>A</sub> = -40°C to +85°C, typical values are at T<sub>A</sub> = +25°C, unless otherwise noted.)

PARAMETER	SYMBOL	CONDITIONS	MIN	TYP	MAX	UNITS	
<b>AC Performance</b>							
Propagation Delay	t <sub>PHL</sub> , t <sub>PLH</sub>	V <sub>CC</sub> = 1.65V	C <sub>L</sub> = 15pF, R <sub>L</sub> = 1MΩ, Figure 1, Figure 2		9.2		ns
		V <sub>CC</sub> = 1.80V			7.5		
		V <sub>CC</sub> = 2.50V ± 0.20V			4.7		
		V <sub>CC</sub> = 3.30V ± 0.30V			3.6		
		V <sub>CC</sub> = 5.00V ± 0.50V			2.7		
		V <sub>CC</sub> = 3.30V ± 0.30V		C <sub>L</sub> = 50pF, R <sub>L</sub> = 500Ω, Figure 1, Figure 2		4.1	
		V <sub>CC</sub> = 5.00V ± 0.50V			3.1		
Input Capacitance	C <sub>IN</sub>	V <sub>CC</sub> = 0V		4.0		pF	
Power Dissipation Capacitance <sup>(2)</sup>	C <sub>PD</sub>	V <sub>CC</sub> = 3.30V	Figure 3		17.0		pF
		V <sub>CC</sub> = 5.00V			19.0		

NOTES:

1. Unused inputs must be held HIGH or LOW. They may not float.
2. C<sub>PD</sub> is defined as the value of the internal equivalent capacitance which is derived from dynamic operating current consumption (I<sub>CCD</sub>) at no output loading and operating at 50% duty cycle (see Figure 3). C<sub>PD</sub> is related to dynamic operating current I<sub>CCD</sub> by the expression: I<sub>CCD</sub> = (C<sub>PD</sub>) (V<sub>CC</sub>) (f<sub>IN</sub>) + (I<sub>CC,Static</sub>).

TEST CIRCUITS



CL includes load and stray capacitance;  
Input PRR = 1.0MHz;  $t_w = 500ns$ .

Figure 1. AC Test Circuit

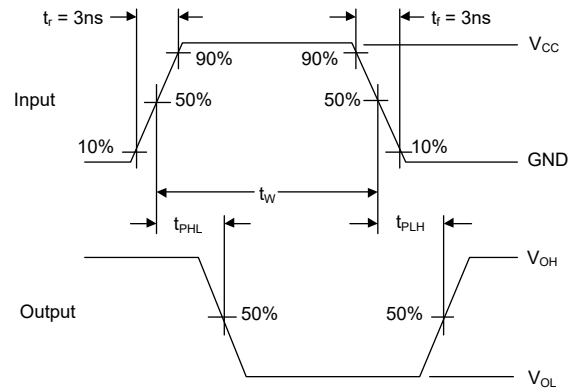
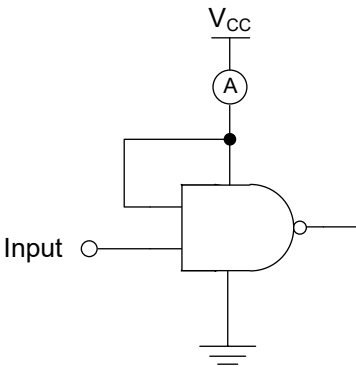


Figure 2. AC Waveforms



Input = AC Waveform;  $t_r = t_f = 1.8ns$ ;  
PRR = 10MHz; Duty Cycle = 50%.

Figure 3. ICCD Test Circuit

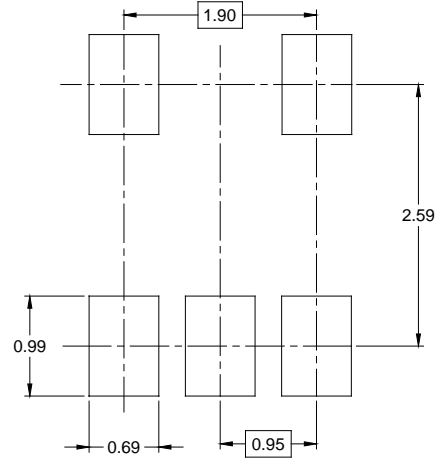
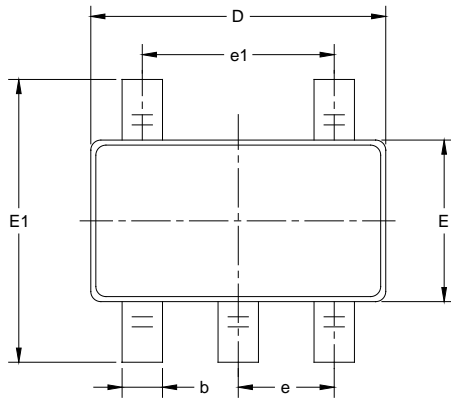
REVISION HISTORY

NOTE: Page numbers for previous revisions may differ from page numbers in the current version.

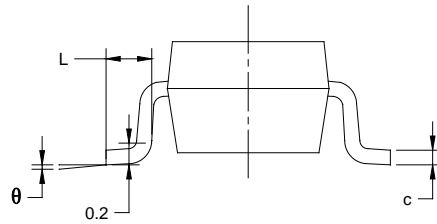
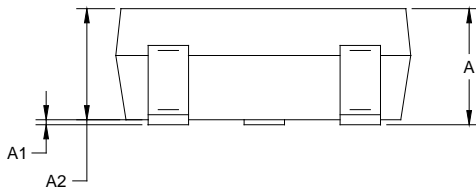
SEPTEMBER 2021 – REV.A to REV.A.1	Page
Updated Package Outline Dimensions section .....	8
Changes from Original (OCTOBER 2013) to REV.A	Page
Changed from product preview to production data .....	All

PACKAGE OUTLINE DIMENSIONS

SOT-23-5



RECOMMENDED LAND PATTERN (Unit: mm)



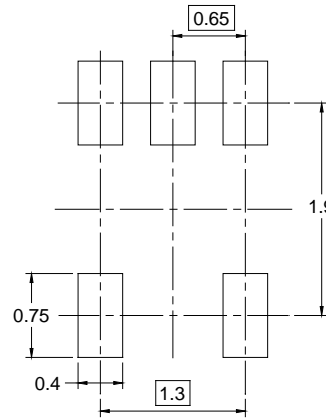
Symbol	Dimensions In Millimeters		Dimensions In Inches	
	MIN	MAX	MIN	MAX
A	1.050	1.250	0.041	0.049
A1	0.000	0.100	0.000	0.004
A2	1.050	1.150	0.041	0.045
b	0.300	0.500	0.012	0.020
c	0.100	0.200	0.004	0.008
D	2.820	3.020	0.111	0.119
E	1.500	1.700	0.059	0.067
E1	2.650	2.950	0.104	0.116
e	0.950 BSC		0.037 BSC	
e1	1.900 BSC		0.075 BSC	
L	0.300	0.600	0.012	0.024
θ	0°	8°	0°	8°

NOTES:

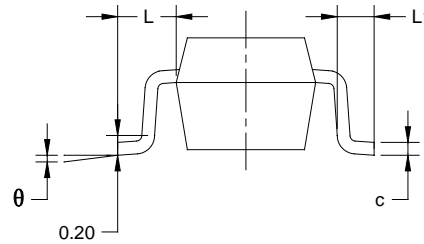
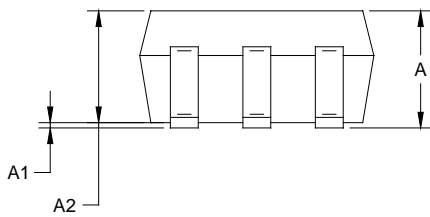
1. Body dimensions do not include mode flash or protrusion.
2. This drawing is subject to change without notice.

PACKAGE OUTLINE DIMENSIONS

SC70-5



RECOMMENDED LAND PATTERN (Unit: mm)



Symbol	Dimensions In Millimeters		Dimensions In Inches	
	MIN	MAX	MIN	MAX
A	0.800	1.100	0.031	0.043
A1	0.000	0.100	0.000	0.004
A2	0.800	1.000	0.031	0.039
b	0.150	0.350	0.006	0.014
c	0.080	0.220	0.003	0.009
D	2.000	2.200	0.079	0.087
E	1.150	1.350	0.045	0.053
E1	2.150	2.450	0.085	0.096
e	0.65 TYP		0.026 TYP	
e1	1.300 BSC		0.051 BSC	
L	0.525 REF		0.021 REF	
L1	0.260	0.460	0.010	0.018
θ	0°	8°	0°	8°

NOTES:

1. Body dimensions do not include mode flash or protrusion.
2. This drawing is subject to change without notice.



# PACKAGE INFORMATION

## TAPE AND REEL INFORMATION

### REEL DIMENSIONS



### TAPE DIMENSIONS



NOTE: The picture is only for reference. Please make the object as the standard.

### KEY PARAMETER LIST OF TAPE AND REEL

Package Type	Reel Diameter	Reel Width W1 (mm)	A0 (mm)	B0 (mm)	K0 (mm)	P0 (mm)	P1 (mm)	P2 (mm)	W (mm)	Pin1 Quadrant
SOT-23-5	7"	9.5	3.20	3.20	1.40	4.0	4.0	2.0	8.0	Q3
SC70-5	7"	9.5	2.25	2.55	1.20	4.0	4.0	2.0	8.0	Q3

DD0001

# PACKAGE INFORMATION

## CARTON BOX DIMENSIONS



NOTE: The picture is only for reference. Please make the object as the standard.

## KEY PARAMETER LIST OF CARTON BOX

Reel Type	Length (mm)	Width (mm)	Height (mm)	Pizza/Carton
7" (Option)	368	227	224	8
7"	442	410	224	18

DD0002

单击下面可查看定价，库存，交付和生命周期等信息

[>>SGMICRO\(圣邦微电子\)](#)