



SGM3759

38V High Efficiency, Boost White LED Driver with Strobe Interface for Flash Mode

GENERAL DESCRIPTION

The SGM3759 is a high efficiency white LED driver with a 1.2MHz boost converter. With the fixed switching frequency and an internal 40V/3A switch FET, the SGM3759 is designed for powering single or parallel LED strings for various size panel backlighting and ideal for smart phone image capture using display device as a flash mode light source, as it is capable of driving up to 200mA current at 30V for 320ms when the strobe signal is active.

The FB feedback voltage is regulated at 200mV typically. The backlight mode default LED current is programmed by an external R_{SET} resistor. During the operation, the LED current can be controlled by applying a PWM signal to the CTRL pin. The feedback voltage depends on the PWM signal duty cycle. For PWM dimming control, there are no audible noises on the output capacitor.

The SGM3759 integrates LED open protection. It prevents the device from damaging due to the over-voltage during LED open conditions.

When the device is in operation and the STROBE pin is pulled up, the SGM3759 will enter flash mode within 100 μ s. The feedback voltage is regulated to 5 \times of the backlight mode voltage that is determined by the PWM signal duty cycle. When the STROBE pin is pulled down or the strobe signal remains high for longer than the 320ms timer, the SGM3759 will enter backlight mode within 100 μ s.

The SGM3759 is available in a Green TSOT-23-6 package. It operates over an ambient temperature range of -40 $^{\circ}$ C to +85 $^{\circ}$ C.

FEATURES

- Input Voltage Range: 2.7V to 5.5V
- Integrated 40V/3A Switch
- Up to 200mA Output Current at 30V
- Accumulated 320ms Flash Timer Control
- Switching Frequency: 1.2MHz
- PWM Dimming Control
- PWM Dimming Frequency: 20kHz to 100kHz
- Strobe Interface for Image Capture Mode
- Up to 87% Efficiency for 7S2P LEDs
- Up to 92% Efficiency for 3S20P LEDs
- Dimming Stable in 1:500 Range
- Feedback Voltage
 - ◊ Backlight Mode: 200mV
 - ◊ Flash Mode: 1000mV
- Flash Mode Under-Voltage Lockout
- Automatic Soft-Start for Reducing Inrush Current
- PFM Mode at Light Load
- Protection Features
 - ◊ 38V Over-Voltage Protection
 - ◊ LED Open or Short Protection
 - ◊ Thermal Shutdown
- -40 $^{\circ}$ C to +85 $^{\circ}$ C Operating Temperature Range
- Available in a Green TSOT-23-6 Package

APPLICATIONS

PDA's, Handheld Computers
Backlight for Media Form Factor LCD Displays with
1-Cell Battery Input

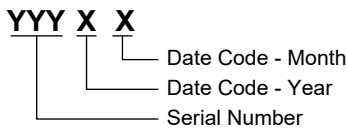
PACKAGE/ORDERING INFORMATION

MODEL	PACKAGE DESCRIPTION	SPECIFIED TEMPERATURE RANGE	ORDERING NUMBER	PACKAGE MARKING	PACKING OPTION
SGM3759	TSOT-23-6	-40°C to +85°C	SGM3759YTN6G/TR	M17XX	Tape and Reel, 3000

MARKING INFORMATION

NOTE: XX = Date Code.

TSOT-23-6



Green (RoHS & HSF): SG Micro Corp defines "Green" to mean Pb-Free (RoHS compatible) and free of halogen substances. If you have additional comments or questions, please contact your SGMICRO representative directly.

ABSOLUTE MAXIMUM RATINGS

Voltages on VIN, CTRL, STROBE, FB -0.3V to 6V
 Package Thermal Resistance
 TSOT-23-6, θ_{JA} 190°C/W
 Voltage on SW -0.3V to 40V
 Junction Temperature +150°C
 Storage Temperature Range -65°C to +150°C
 Lead Temperature (Soldering, 10s) +260°C
 ESD Susceptibility
 HBM 3000V
 MM 200V
 CDM 1000V

RECOMMENDED OPERATING CONDITIONS

Input Voltage Range 2.7V to 5.5V
 Output Voltage Range V_{IN} to 38V
 Inductor 4.7 μ H to 22 μ H
 Input Capacitor 1 μ F (MIN)
 Output Capacitor 1 μ F to 10 μ F
 Operating Temperature Range -40°C to +85°C

OVERSTRESS CAUTION

Stresses beyond those listed in Absolute Maximum Ratings may cause permanent damage to the device. Exposure to absolute maximum rating conditions for extended periods may affect reliability. Functional operation of the device at any conditions beyond those indicated in the Recommended Operating Conditions section is not implied.

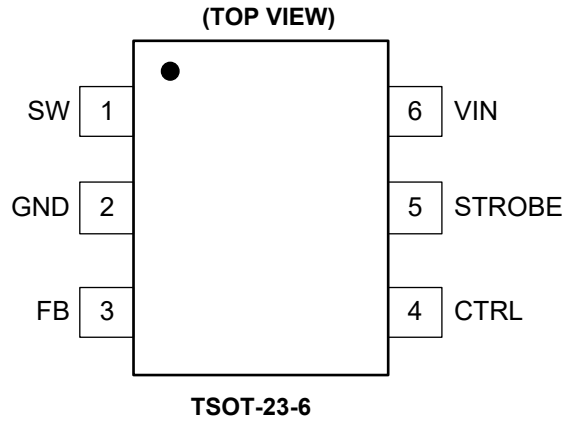
ESD SENSITIVITY CAUTION

This integrated circuit can be damaged if ESD protections are not considered carefully. SGMICRO recommends that all integrated circuits be handled with appropriate precautions. Failure to observe proper handling and installation procedures can cause damage. ESD damage can range from subtle performance degradation to complete device failure. Precision integrated circuits may be more susceptible to damage because even small parametric changes could cause the device not to meet the published specifications.

DISCLAIMER

SG Micro Corp reserves the right to make any change in circuit design, or specifications without prior notice.

PIN CONFIGURATION



PIN DESCRIPTION

PIN	NAME	I/O	FUNCTION
1	SW	I	Boost Switching Node. The device monitors the output voltage on this pin for LED open protection. Connect an inductor between the VIN and SW pins.
2	GND	O	Ground Pin.
3	FB	I	Feedback Input for Current. Connect the sense resistor from FB to GND.
4	CTRL	I	Boost Regulator Control Pin. It is used for enable control and PWM dimming control.
5	STROBE	I	Strobe Signal Input Pin. STROBE synchronizes the flash pulse to the image capture. Generally, this signal is directly generated from the image sensor.
6	VIN	I	Input Supply Pin.

TYPICAL APPLICATION

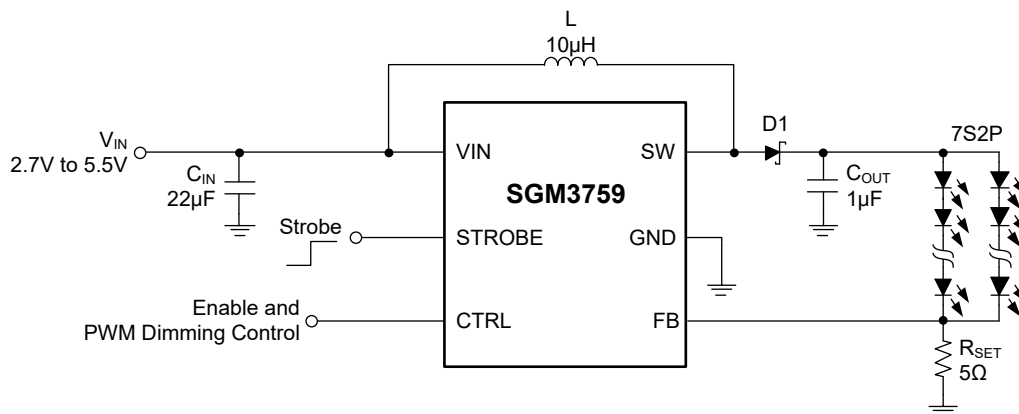


Figure 1. Typical Application Circuit

ELECTRICAL CHARACTERISTICS

(V_{IN} = 3.6V, CTRL = V_{IN}, C_{IN} = 22μF, Full = -40°C to +85°C, typical values are at T_A = +25°C, unless otherwise noted.)

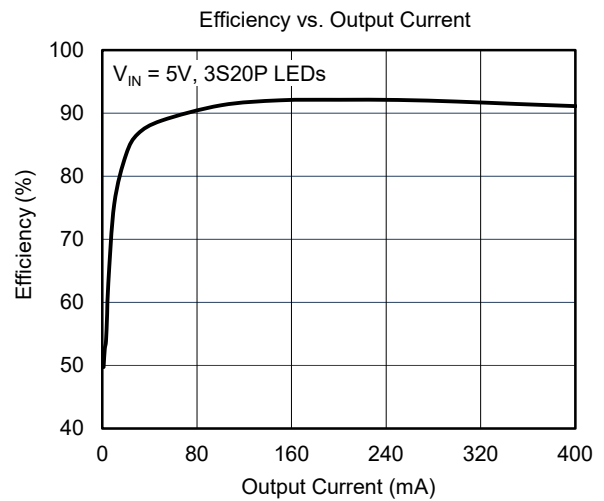
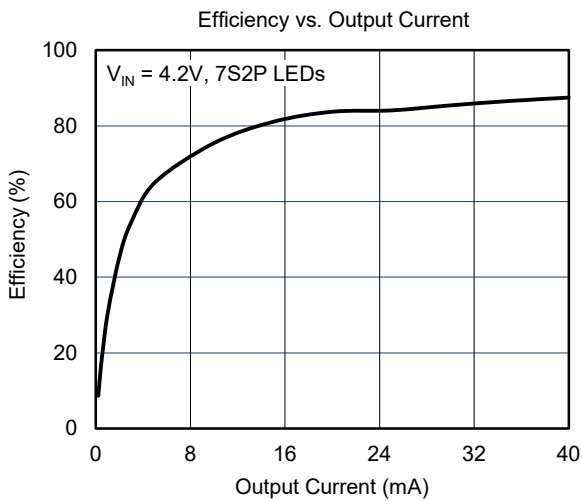
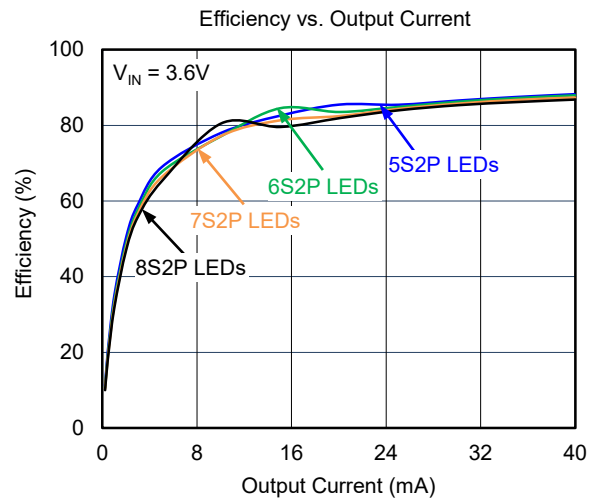
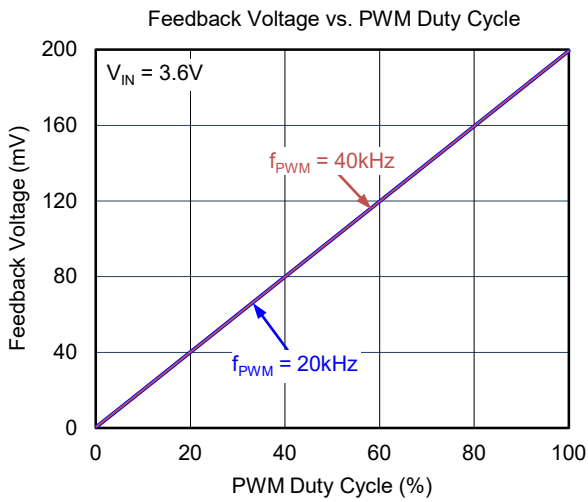
PARAMETER	SYMBOL	CONDITIONS	TEMP	MIN	TYP	MAX	UNITS
Power Supply							
Input Voltage Range	V _{IN}		Full	2.7		5.5	V
Under-Voltage Lockout Threshold	UVLO	V _{IN} falling	+25°C		2.2		V
		V _{IN} rising	+25°C		2.3	2.5	V
UVLO Hysteresis	V _{HYS}		+25°C		100		mV
Operating Quiescent Current into V _{IN}	I _Q	V _{FB} = 300mV, no switching	+25°C		0.2	0.35	mA
Shutdown Current	I _{SD}	CTRL = GND	+25°C			1	μA
Boost Converter							
Backlight Mode Feedback Regulation Voltage	V _{FB(BL)}	PWM duty cycle 100%	+25°C	195.5	200	206.3	mV
		PWM duty cycle 10%	+25°C	18	20	22	mV
		PWM duty cycle 1%	+25°C	1.4	2.2	3	mV
		PWM duty cycle 0.2%	+25°C		0.65		mV
Flash Mode Feedback Regulation Voltage	V _{FB(FL)}	PWM duty cycle 100%	+25°C	950	1000	1050	mV
		PWM duty cycle 67%	+25°C	630	670	710	mV
		PWM duty cycle 33%	+25°C	300	330	360	mV
FB Pin Bias Current	I _{FB}	V _{FB} = 100mV	+25°C		0.6	1	μA
V _{REF} Filter Time Constant	t _{REF}		+25°C		0.1		ms
N-Channel MOSFET On-Resistance	R _{DS(ON)}		+25°C		0.2	0.3	Ω
Switching Frequency	f _{SW}		Full	0.9	1.2	1.35	MHz
Switching MOSFET Current Limit for Backlight Mode	I _{LIMBL}		+25°C	1.15	1.5	1.85	A
Switching MOSFET Current Limit for Flash Mode	I _{LIMFL}		+25°C		3		A
Output Voltage Over-Voltage Threshold	V _{OVP_SW}		Full	36	38	39.5	V
Control							
CTRL Logic High Voltage	V _{CTRLH}		Full	1.6			V
CTRL Logic Low Voltage	V _{CTRLL}		Full			0.4	V
CTRL Pin internal Pull-Down Resistor	R _{CTRLPD}		+25°C		580		kΩ
CTRL Logic High Time to Backlight Mode	t _{RP1}		+25°C		6		ms
CTRL Logic Low Time to Shutdown	t _{SD1}	CTRL high to low	+25°C	2.5			ms
STROBE Logic High Voltage	V _{STROBEH}		Full	1.6			V
STROBE Logic Low Voltage	V _{STROBEL}		Full			0.4	V
STROBE Pin internal Pull-Down Resistor	R _{STROBEPD}		+25°C		180		kΩ
STROBE Logic High Time to Flash Mode	t _{RP2}		+25°C		50		μs
STROBE Logic Low Time to Backlight Mode	t _{SD2}		+25°C		50		μs
Flash Mode Under-Voltage Lockout Threshold	UVLO _{FL}		+25°C	3.2	3.3	3.45	V
Flash Mode UVLO Hysteresis	V _{HYSFL}		+25°C		100		mV
Flash Mode Timer	t _p		+25°C	280	320	380	ms
PWM Dimming Frequency Range	DFR		+25°C	20		100	kHz
Minimum PWM On-Time			+25°C	40			ns
PWM Duty Cycle Changing Time to Output	DCCTO	Duty cycle from 100% to 50%	+25°C		2		ms
Stable Dimming Range	DR		+25°C	0.2		100	%
Thermal Shutdown							
Thermal Shutdown Threshold	T _{SHUTDOWN}				160		°C
Thermal Shutdown Hysteresis	T _{HYS}				20		°C

RECOMMENDED COMPONENTS OF TEST CIRCUITS

Component		Component	
Inductor	10μH/ETQP3M100KVP	Capacitor	1μF/C2012X7R1H105JT
Diode	PMEG4030ER		22μF/C2012X7R1H226JT

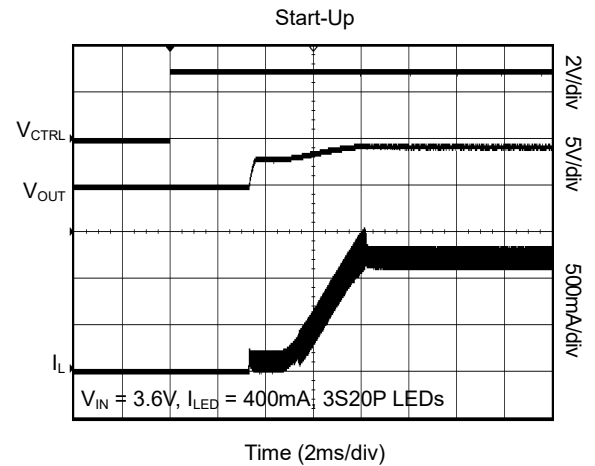
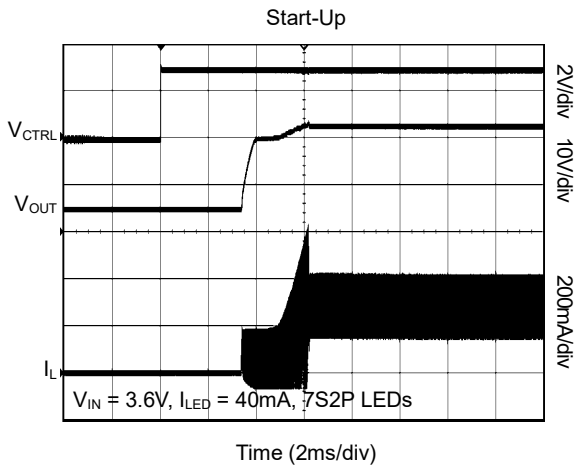
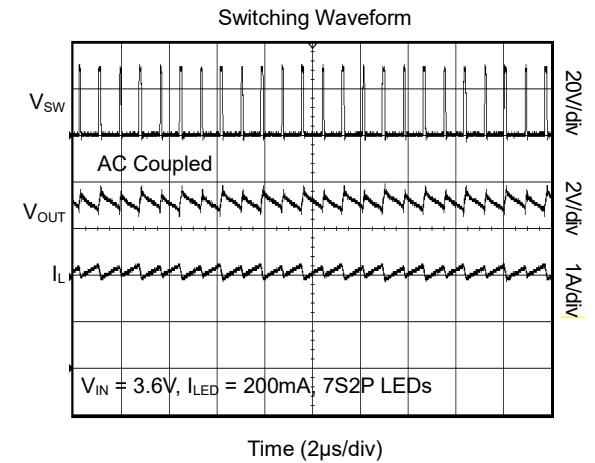
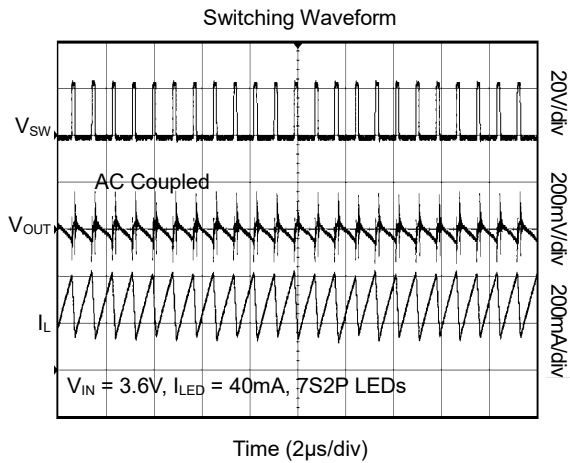
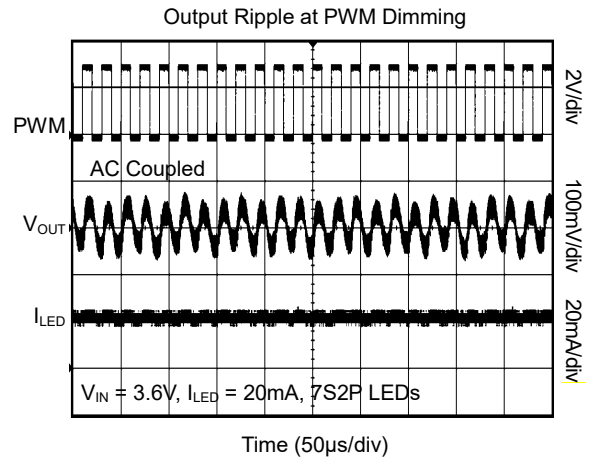
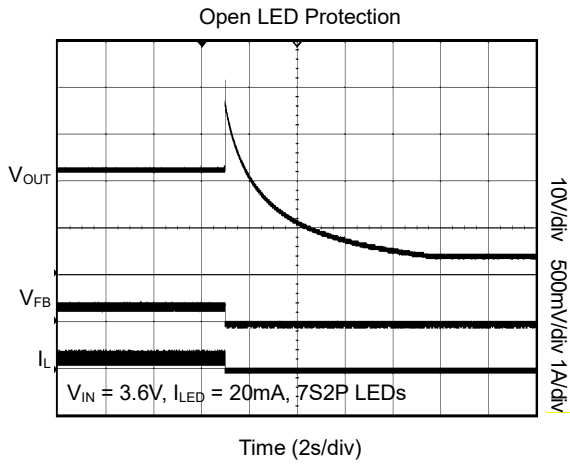
TYPICAL PERFORMANCE CHARACTERISTICS

T_A = +25°C, L = 10μH, C_{IN} = 22μF, C_{OUT} = 1μF, unless otherwise noted.



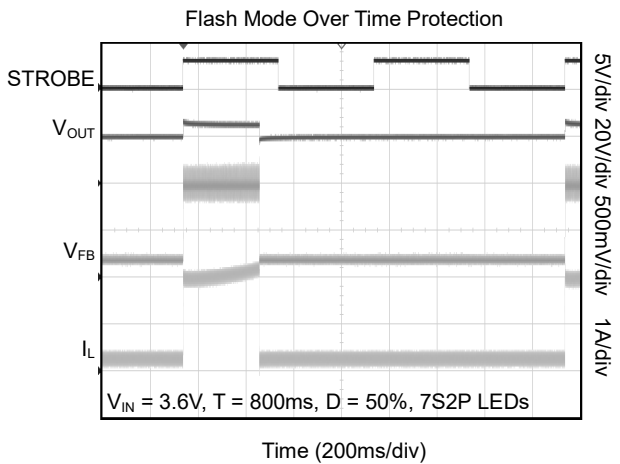
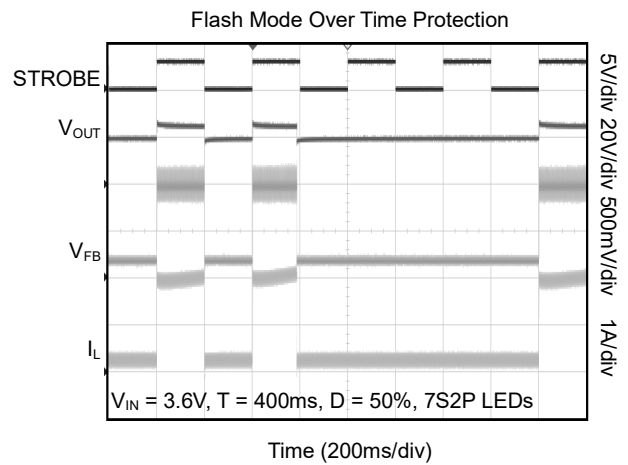
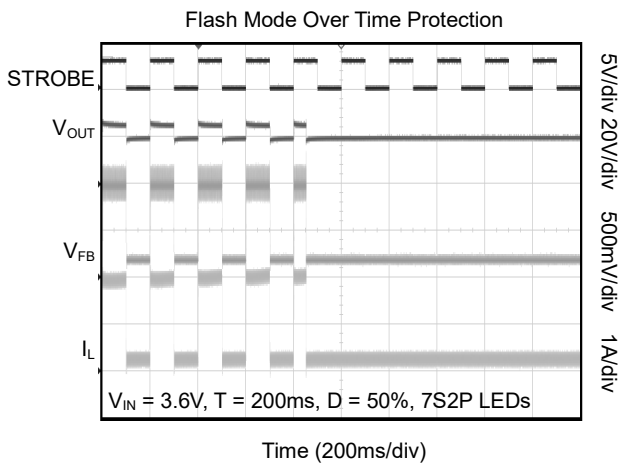
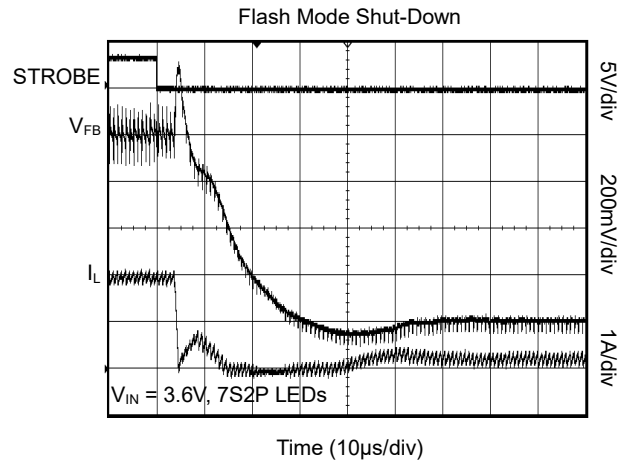
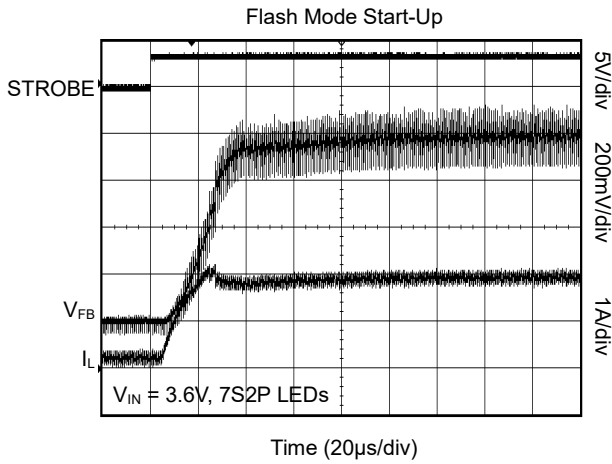
TYPICAL PERFORMANCE CHARACTERISTICS (continued)

T_A = +25°C, L = 10µH, C_{IN} = 22µF, C_{OUT} = 1µF, unless otherwise noted.



TYPICAL PERFORMANCE CHARACTERISTICS (continued)

$T_A = +25^\circ\text{C}$, $L = 10\mu\text{H}$, $C_{IN} = 22\mu\text{F}$, $C_{OUT} = 1\mu\text{F}$, unless otherwise noted.



ADDITIONAL TYPICAL APPLICATION

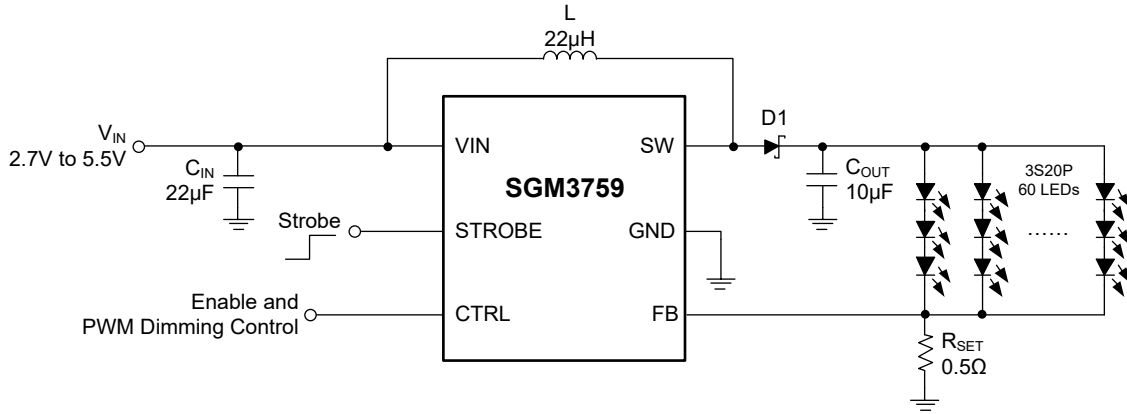


Figure 2. Drive 60 LEDs for Media Form Factor Display

REVISION HISTORY

NOTE: Page numbers for previous revisions may differ from page numbers in the current version.

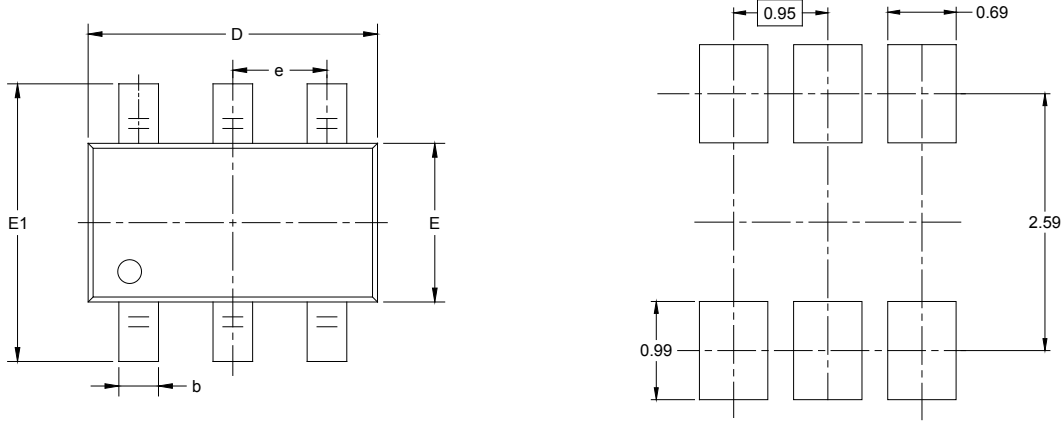
Changes from Original (FEBRUARY 2018) to REV.A

Changed from product preview to production data.....	All
--	-----

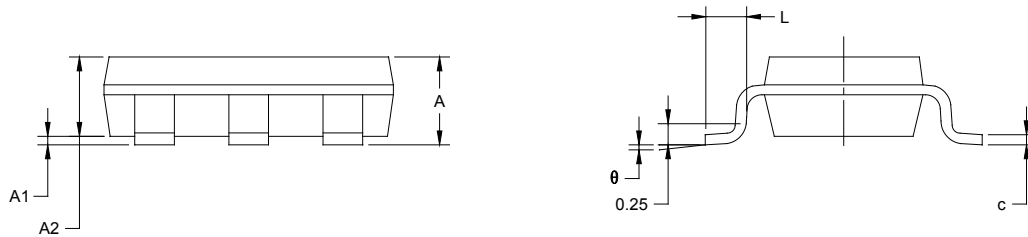
PACKAGE INFORMATION

PACKAGE OUTLINE DIMENSIONS

TSOT-23-6



RECOMMENDED LAND PATTERN (Unit: mm)



Symbol	Dimensions In Millimeters		Dimensions In Inches	
	MIN	MAX	MIN	MAX
A		1.000		0.043
A1	0.000	0.100	0.000	0.004
A2	0.700	0.900	0.028	0.039
b	0.300	0.500	0.012	0.020
c	0.080	0.200	0.003	0.008
D	2.850	2.950	0.112	0.116
E	1.550	1.650	0.061	0.065
E1	2.650	2.950	0.104	0.116
e	0.950 BSC		0.037 BSC	
L	0.300	0.600	0.012	0.024
θ	0°	8°	0°	8°

PACKAGE INFORMATION

TAPE AND REEL INFORMATION

REEL DIMENSIONS



TAPE DIMENSIONS



NOTE: The picture is only for reference. Please make the object as the standard.

KEY PARAMETER LIST OF TAPE AND REEL

Package Type	Reel Diameter	Reel Width W1 (mm)	A0 (mm)	B0 (mm)	K0 (mm)	P0 (mm)	P1 (mm)	P2 (mm)	W (mm)	Pin1 Quadrant
TSOT-23-6	7"	9.5	3.20	3.10	1.10	4.0	4.0	2.0	8.0	Q3

000001

PACKAGE INFORMATION

CARTON BOX DIMENSIONS



NOTE: The picture is only for reference. Please make the object as the standard.

KEY PARAMETER LIST OF CARTON BOX

Reel Type	Length (mm)	Width (mm)	Height (mm)	Pizza/Carton
7" (Option)	368	227	224	8
7"	442	410	224	18

DD0002

单击下面可查看定价，库存，交付和生命周期等信息

[>>SGMICRO\(圣邦微电子\)](#)