



SGM3712

0.9Ω, High Voltage, Rail-to-Rail Negative Signal Passing, Dual, SPDT Analog Switch

GENERAL DESCRIPTION

The SGM3712 is a dual SPDT (single-pole/double-throw) analog switch. It operates from a 2.7V to 12V single power supply and allows negative signal passing with low distortion.

The SGM3712 features low on-resistance, high voltage and fast switching times. The high performances make it very suitable for multiple applications. In addition, the SGM3712 can be used as a dual 2-to-1 multiplexer because it has two normally open and close switches, respectively.

The SGM3712 is available in Green SOIC-14 and WLCSP-1.27×2.13-15B packages. It operates over an ambient temperature range of -40°C to +85°C.

FEATURES

- **Single Supply Voltage Range: 2.7V to 12V**
- **Low On-Resistance: 0.9Ω (TYP)**
- **-V_{CC} to +V_{CC} Positive and Negative Signal Passing**
- **Low Distortion**
- **Fast Switching Times**
- **High Off-Isolation**
- **Low Crosstalk: -90dB at 1MHz**
- **1.8V Logic Control**
- **Break-Before-Make Switching**
- **-40°C to +85°C Operating Temperature Range**
- **Available in Green WLCSP-1.27×2.13-15B and SOIC-14 Packages**

APPLICATIONS

Portable Equipment
Battery-Powered Systems

PACKAGE/ORDERING INFORMATION

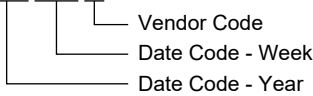
MODEL	PACKAGE DESCRIPTION	SPECIFIED TEMPERATURE RANGE	ORDERING NUMBER	PACKAGE MARKING	PACKING OPTION
SGM3712	WLCSP-1.27×2.13-15B	-40°C to +85°C	SGM3712YG/TR	XXXXX 3712	Tape and Reel, 3000
	SOIC-14	-40°C to +85°C	SGM3712YS14G/TR	SGM3712YS14 XXXXX	Tape and Reel, 2500

MARKING INFORMATION

NOTE: XXXXX = Date Code and Vendor Code.

WLCSP-1.27×2.13-15B/SOIC-14

XXXXX



Green (RoHS & HSF): SG Micro Corp defines "Green" to mean Pb-Free (RoHS compatible) and free of halogen substances. If you have additional comments or questions, please contact your SGMICRO representative directly.

ABSOLUTE MAXIMUM RATINGS

V _{CC} to GND	0V to 13.2V
IN1, IN2, EN to GND	0V to 6V
Analog Voltage Range ⁽¹⁾	(-V _{CC} - 0.3V) to (V _{CC} + 0.3V)
Continuous Current from NO to COM	±350mA
Continuous Current from NC to COM	±350mA
Peak Current from NO to COM	±400mA
Peak Current from NC to COM	±400mA
I/O Clamp Current (V _I < 0)	-30mA
Junction Temperature	+150°C
Storage Temperature Range	-65°C to +150°C
Lead Temperature (Soldering, 10s)	+260°C
ESD Susceptibility	
HBM	8000V
MM	400V
CDM	1000V

NOTE:

1. Internal diodes will clamp voltages at NC, NO, or COM that exceed V_{CC} or GND. Limit the current through the forward diode to the maximum ratings.

RECOMMENDED OPERATING CONDITIONS

Supply Voltage Range	2.7V to 12V
Operating Temperature Range	-40°C to +85°C

OVERSTRESS CAUTION

Stresses beyond those listed in Absolute Maximum Ratings may cause permanent damage to the device. Exposure to absolute maximum rating conditions for extended periods may affect reliability. Functional operation of the device at any conditions beyond those indicated in the Recommended Operating Conditions section is not implied.

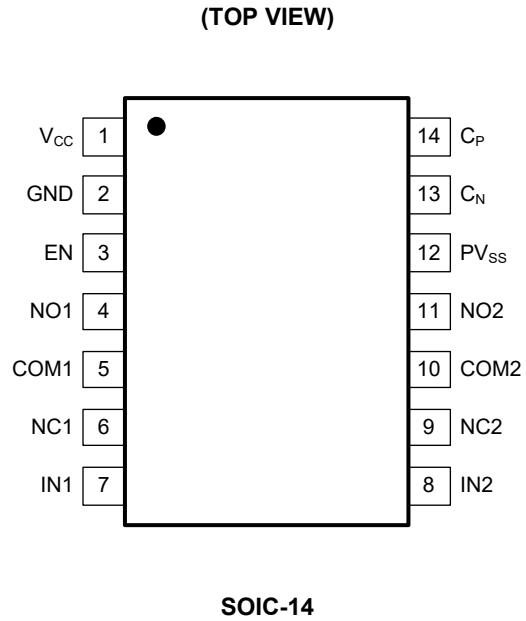
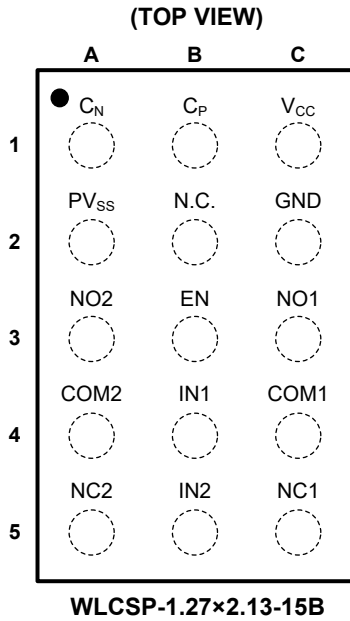
ESD SENSITIVITY CAUTION

This integrated circuit can be damaged if ESD protections are not considered carefully. SGMICRO recommends that all integrated circuits be handled with appropriate precautions. Failure to observe proper handling and installation procedures can cause damage. ESD damage can range from subtle performance degradation to complete device failure. Precision integrated circuits may be more susceptible to damage because even small parametric changes could cause the device not to meet the published specifications.

DISCLAIMER

SG Micro Corp reserves the right to make any change in circuit design, or specifications without prior notice.

PIN CONFIGURATIONS



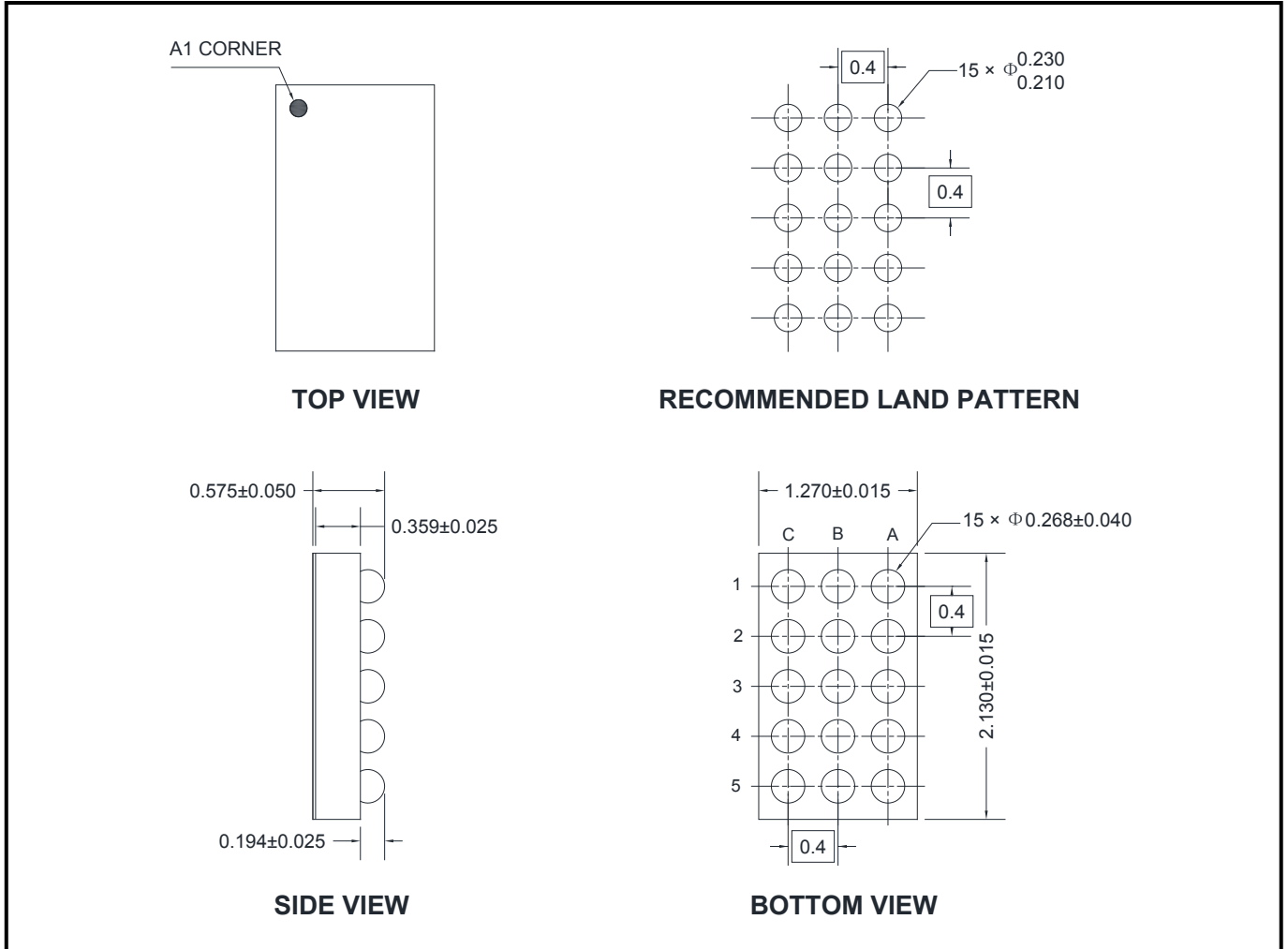
PIN DESCRIPTION

PIN		NAME	FUNCTION
WLCSP-1.27×2.13-15B	SOIC-14		
A1	13	C _N	Charge Pump Flying Capacitor Negative Pin.
B1	14	C _P	Charge Pump Flying Capacitor Positive Pin.
C1	1	V _{CC}	Power Supply Pin.
A2	12	PV _{SS}	Negative Supply Voltage Output Pin. Connect one 0.1μF ceramic capacitor from PV _{SS} to GND.
B2	–	N.C.	No Connection.
C2	2	GND	Ground.
A3	11	NO2	Normally-Open Pin.
B3	3	EN	Enable Control Pin. When EN = “Low”, both NC and NO are disconnected with COM, negative charge pump does not work and the SGM3712 is in shutdown state. When EN = “High”, negative charge pump works, the SGM3712 is in working state, and NC or NO is connected with COM depending on the logical state of IN.
C3	4	NO1	Normally-Open Pin.
A4	10	COM2	Common Pin.
B4	7	IN1	Digital Control Pin. It is used to connect COM1 to NO1 or NC1.
C4	5	COM1	Common Pin.
A5	9	NC2	Normally-Closed Pin.
B5	8	IN2	Digital Control Pin. It is used to connect COM2 to NO2 or NC2.
C5	6	NC1	Normally-Closed Pin.

NOTE: NO, NC and COM pins may be an input or output.

PACKAGE OUTLINE DIMENSIONS

WLCSP-1.27×2.13-15B

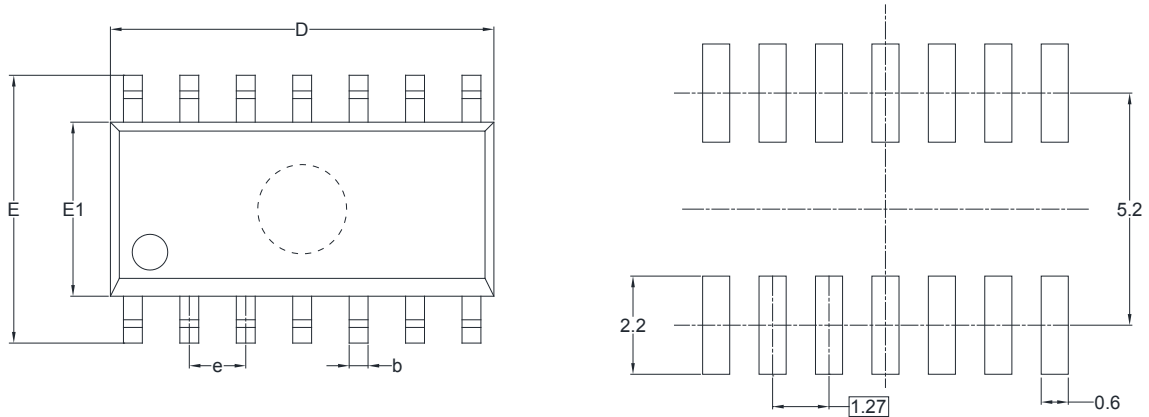


NOTE: All linear dimensions are in millimeters.

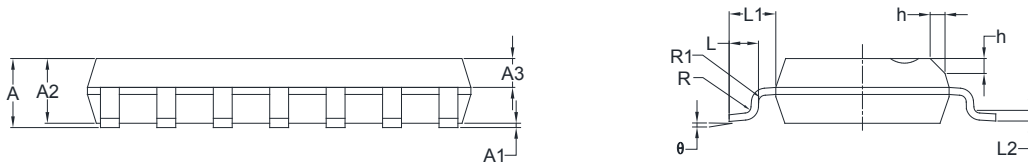
PACKAGE INFORMATION

PACKAGE OUTLINE DIMENSIONS

SOIC-14



RECOMMENDED LAND PATTERN (Unit: mm)



Symbol	Dimensions In Millimeters		Dimensions In Inches	
	MIN	MAX	MIN	MAX
A	1.35	1.75	0.053	0.069
A1	0.10	0.25	0.004	0.010
A2	1.25	1.65	0.049	0.065
A3	0.55	0.75	0.022	0.030
b	0.36	0.49	0.014	0.019
D	8.53	8.73	0.336	0.344
E	5.80	6.20	0.228	0.244
E1	3.80	4.00	0.150	0.157
e	1.27 BSC		0.050 BSC	
L	0.45	0.80	0.018	0.032
L1	1.04 REF		0.040 REF	
L2	0.25 BSC		0.01 BSC	
R	0.07		0.003	
R1	0.07		0.003	
h	0.30	0.50	0.012	0.020
θ	0°	8°	0°	8°

PACKAGE INFORMATION

TAPE AND REEL INFORMATION

REEL DIMENSIONS



TAPE DIMENSIONS



NOTE: The picture is only for reference. Please make the object as the standard.

KEY PARAMETER LIST OF TAPE AND REEL

Package Type	Reel Diameter	Reel Width W1 (mm)	A0 (mm)	B0 (mm)	K0 (mm)	P0 (mm)	P1 (mm)	P2 (mm)	W (mm)	Pin1 Quadrant
WLCSP-1.27×2.13-15B	7"	9.5	1.47	2.37	0.78	4.0	4.0	2.0	8.0	Q1
SOIC-14	13"	16.4	6.60	9.30	2.10	4.0	8.0	2.0	16.0	Q1

DD0001

PACKAGE INFORMATION

CARTON BOX DIMENSIONS



NOTE: The picture is only for reference. Please make the object as the standard.

KEY PARAMETER LIST OF CARTON BOX

Reel Type	Length (mm)	Width (mm)	Height (mm)	Pizza/Carton
7" (Option)	368	227	224	8
7"	442	410	224	18
13"	386	280	370	5

DD0002

单击下面可查看定价，库存，交付和生命周期等信息

[>>SGMICRO\(圣邦微电子\)](#)