

### GENERAL DESCRIPTION

The SGM2904 is a dual operational amplifier, which can operate from 3.3V to 26V single supply or from  $\pm 1.65\text{V}$  to  $\pm 13\text{V}$  dual power supplies. It provides a wide input common mode voltage range and output voltage swing.

The SGM2904 provides high slew rate, low noise, bias current and offset.

The SGM2904 is available in Green SOIC-8 and MSOP-8 packages. It is specified over the extended  $-40^{\circ}\text{C}$  to  $+125^{\circ}\text{C}$  temperature range.

### FEATURES

- **Wide Input Common Mode and Differential Voltage Ranges**
- **Low Offset Voltage: 4mV (MAX)**
- **Low Input Bias Current**
- **Low Input Offset Current**
- **Output Short-Circuit Protection**
- **High Input Impedance**
- **Low Noise:  $40\text{nV}/\sqrt{\text{Hz}}$  at 1kHz**
- **Gain-Bandwidth Product: 2MHz**
- **Slew Rate:  $0.6\text{V}/\mu\text{s}$**
- **$-40^{\circ}\text{C}$  to  $+125^{\circ}\text{C}$  Operating Temperature Range**
- **Available in Green SOIC-8 and MSOP-8 Packages**

### APPLICATIONS

High Impedance Sensor  
Photodiode Amplifier  
High End, Professional Audio  
DAC Output Amplifier  
Medical

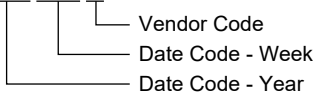
**PACKAGE/ORDERING INFORMATION**

MODEL	PACKAGE DESCRIPTION	SPECIFIED TEMPERATURE RANGE	ORDERING NUMBER	PACKAGE MARKING	PACKING OPTION
SGM2904	SOIC-8	-40°C to +125°C	SGM2904XS8G/TR	SGM 2904XS8 XXXXX	Tape and Reel, 4000
	MSOP-8	-40°C to +125°C	SGM2904XMS8G/TR	SGM2904 XMS8 XXXXX	Tape and Reel, 4000

**MARKING INFORMATION**

NOTE: XXXXX = Date Code and Vendor Code.

**XXXXX**



Green (RoHS & HSF): SG Micro Corp defines "Green" to mean Pb-Free (RoHS compatible) and free of halogen substances. If you have additional comments or questions, please contact your SGMICRO representative directly.

**ABSOLUTE MAXIMUM RATINGS**

Supply Voltage, +Vs to -Vs.....	26V
Input/Output Voltage Range.....	(-Vs) - 0.3V to (+Vs) + 0.3V
Junction Temperature.....	+150°C
Storage Temperature Range.....	-65°C to +150°C
Lead Temperature (Soldering, 10s).....	+260°C
ESD Susceptibility	
HBM.....	6000V
MM.....	400V
CDM .....	2000V

**RECOMMENDED OPERATING CONDITIONS**

Operating Temperature Range.....	-40°C to +125°C
----------------------------------	-----------------

NOTE:

1. Proper power supply sequencing is recommended for the CMOS device. Always sequence Vs on first, followed by the inputs and outputs.

**OVERSTRESS CAUTION**

Stresses beyond those listed in Absolute Maximum Ratings may cause permanent damage to the device. Exposure to absolute maximum rating conditions for extended periods may affect reliability. Functional operation of the device at any conditions beyond those indicated in the Recommended Operating Conditions section is not implied.

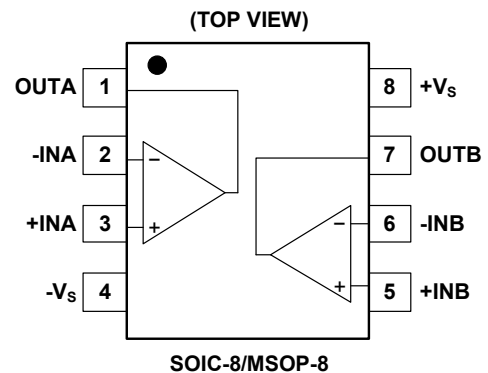
**ESD SENSITIVITY CAUTION**

This integrated circuit can be damaged if ESD protections are not considered carefully. SGMICRO recommends that all integrated circuits be handled with appropriate precautions. Failure to observe proper handling and installation procedures can cause damage. ESD damage can range from subtle performance degradation to complete device failure. Precision integrated circuits may be more susceptible to damage because even small parametric changes could cause the device not to meet the published specifications.

**DISCLAIMER**

SG Micro Corp reserves the right to make any change in circuit design, or specifications without prior notice.

**PIN CONFIGURATIONS**



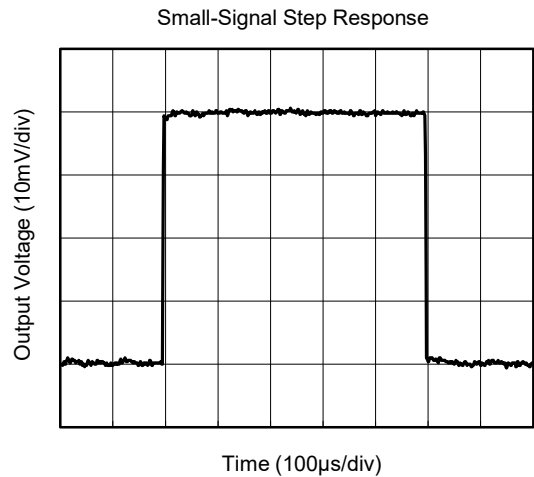
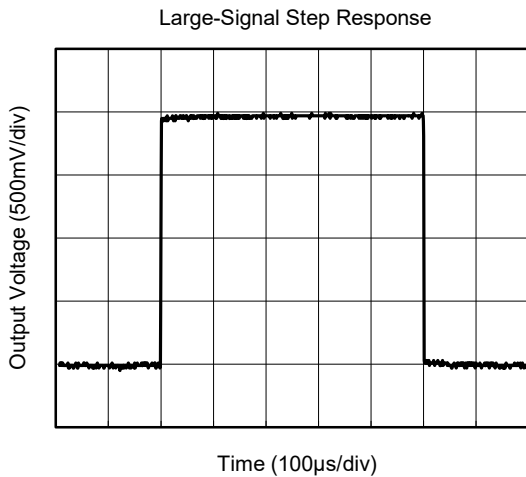
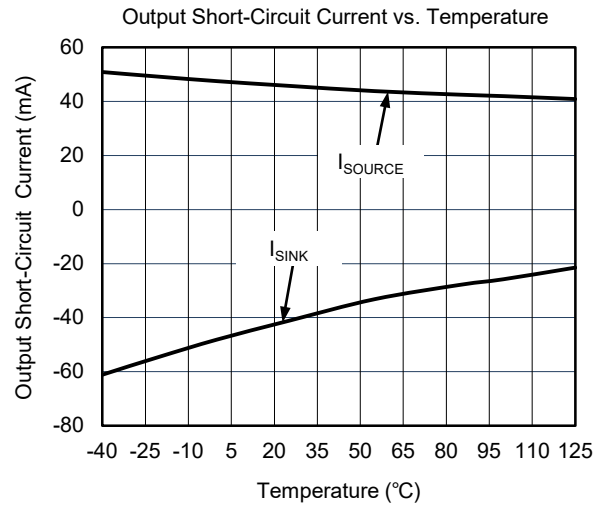
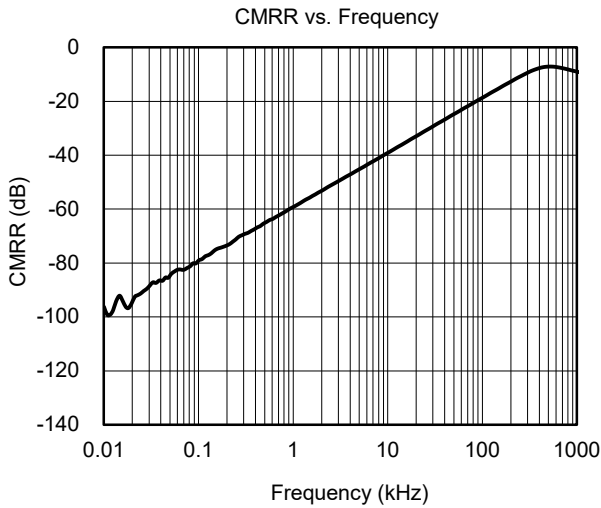
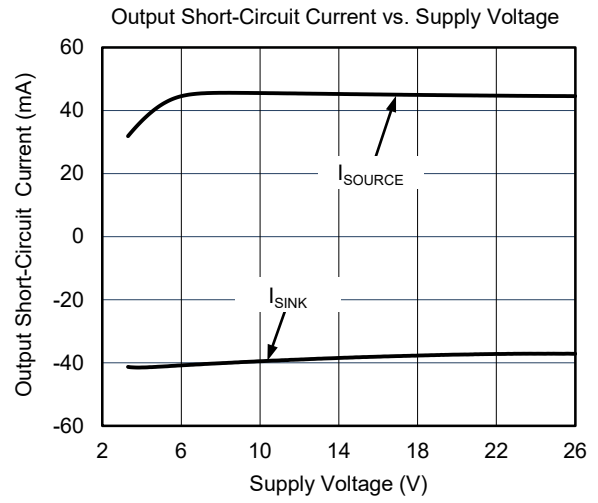
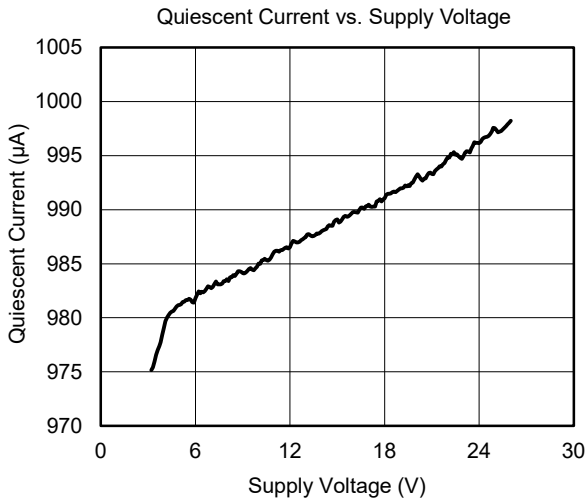
## ELECTRICAL CHARACTERISTICS

(At  $T_A = +25^\circ\text{C}$ ,  $V_S = 3.3\text{V}$  to  $26\text{V}$  and  $R_L = 2\text{k}\Omega$  connected to  $V_S/2$ , Full =  $-40^\circ\text{C}$  to  $+125^\circ\text{C}$ , unless otherwise noted.)

PARAMETER	SYMBOL	CONDITIONS	TEMP	MIN	TYP	MAX	UNITS
<b>Input Characteristics</b>							
Input Offset Voltage	$V_{OS}$	$V_{CM} = V_S/2$	+25°C		3	4	mV
			Full			5	
Input Offset Voltage Drift	$\Delta V_{OS}/\Delta T$		Full		2		$\mu\text{V}/^\circ\text{C}$
Input Bias Current	$I_B$	$V_{CM} = V_S/2$	+25°C		20		nA
Input Offset Current	$I_{OS}$	$V_{CM} = V_S/2$	+25°C		2		nA
Maximum Differential Input Voltage	$ V_{ID} $		Full			$V_S$	V
Maximum Input Difference Bias Current	$ I_{ID} $	$V_{ID} = 26\text{V}$	+25°C		2	3	$\mu\text{A}$
			Full			4	
Input Common Mode Voltage Range	$V_{CM}$		Full	0		$V_S - 1.5$	V
Common Mode Rejection Ratio	CMRR	$V_S = 5\text{V}$ to $26\text{V}$ , $0\text{V} < V_{CM} < V_S - 1.5\text{V}$	+25°C	70	80		dB
			Full	65			
Open-Loop Voltage Gain	$A_{OL}$	$V_S = 15\text{V}$ , $V_{OUT} = 1\text{V}$ to $11\text{V}$	+25°C	30	100		V/mV
			Full	20			
<b>Output Characteristics</b>							
High-Level Output Voltage	$V_{OH}$	$V_S = 26\text{V}$ , $R_L = 10\text{k}\Omega$	+25°C		60	80	mV
			Full			120	
		$V_S = 26\text{V}$ , $R_L = 2\text{k}\Omega$	+25°C		300	400	
			Full			540	
Low-Level Output Voltage	$V_{OL}$	$V_S = 26\text{V}$ , $R_L = 10\text{k}\Omega$	+25°C		20	35	mV
			Full			60	
		$V_S = 26\text{V}$ , $R_L = 2\text{k}\Omega$	+25°C		110	160	
			Full			280	
Output Short-Circuit Current	$I_{SC}$	$V_S = 5\text{V}$ to $26\text{V}$	+25°C	$\pm 28$	$\pm 40$		mA
<b>Power Supply</b>							
Operating Voltage Range	$V_S$		Full	3.3		26	V
Quiescent Current	$I_Q$	$I_{OUT} = 0$	+25°C		1	1.24	mA
			Full			1.5	
Power Supply Rejection Ratio	PSRR	$V_S = 5\text{V}$ to $26\text{V}$	+25°C	90	100		dB
			Full	85			
<b>Dynamic Performance</b>							
Gain-Bandwidth Product	GBP	$C_L = 50\text{pF}$	+25°C		2		MHz
Slew Rate	SR	$A_V = +1$	+25°C		0.6		V/ $\mu\text{s}$
Input Voltage Noise Density	$e_n$	$f = 1\text{kHz}$	+25°C		40		$\text{nV}/\sqrt{\text{Hz}}$

TYPICAL PERFORMANCE CHARACTERISTICS

At  $T_A = +25^\circ\text{C}$ ,  $V_S = 26\text{V}$  and  $R_L = 2\text{k}\Omega$ , unless otherwise noted.



**REVISION HISTORY**

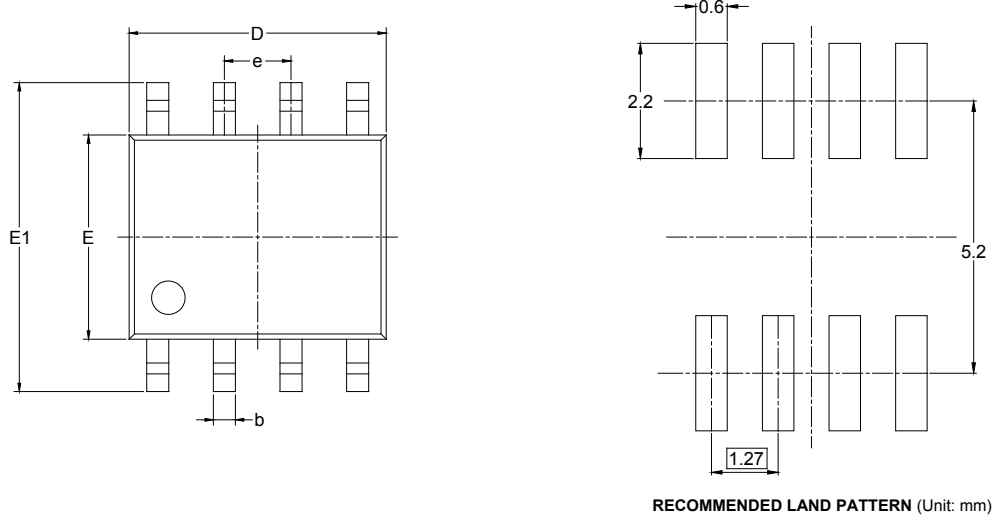
NOTE: Page numbers for previous revisions may differ from page numbers in the current version.

<b>Changes from Original (DECEMBER 2017) to REV.A</b>	<b>Page</b>
Changed from product preview to production data.....	All

---

PACKAGE OUTLINE DIMENSIONS

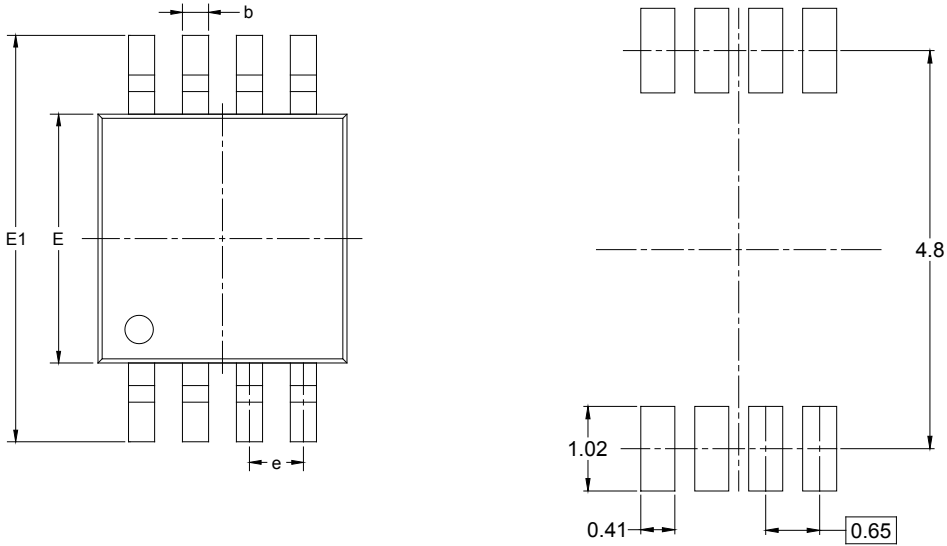
SOIC-8



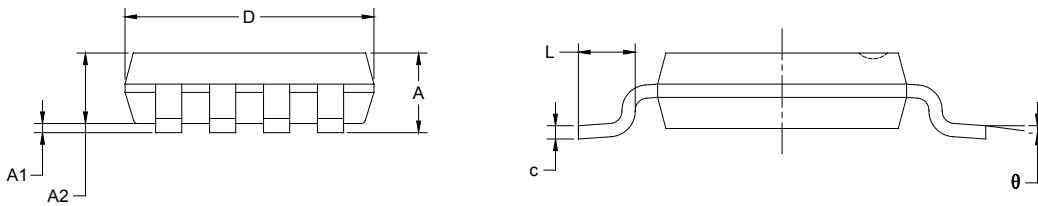
Symbol	Dimensions In Millimeters		Dimensions In Inches	
	MIN	MAX	MIN	MAX
A	1.350	1.750	0.053	0.069
A1	0.100	0.250	0.004	0.010
A2	1.350	1.550	0.053	0.061
b	0.330	0.510	0.013	0.020
c	0.170	0.250	0.006	0.010
D	4.700	5.100	0.185	0.200
E	3.800	4.000	0.150	0.157
E1	5.800	6.200	0.228	0.244
e	1.27 BSC		0.050 BSC	
L	0.400	1.270	0.016	0.050
$\theta$	0°	8°	0°	8°

PACKAGE OUTLINE DIMENSIONS

MSOP-8



RECOMMENDED LAND PATTERN (Unit: mm)

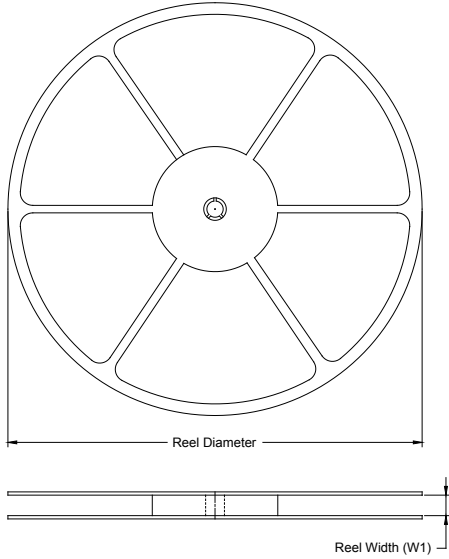


Symbol	Dimensions In Millimeters		Dimensions In Inches	
	MIN	MAX	MIN	MAX
A	0.820	1.100	0.032	0.043
A1	0.020	0.150	0.001	0.006
A2	0.750	0.950	0.030	0.037
b	0.250	0.380	0.010	0.015
c	0.090	0.230	0.004	0.009
D	2.900	3.100	0.114	0.122
E	2.900	3.100	0.114	0.122
E1	4.750	5.050	0.187	0.199
e	0.650 BSC		0.026 BSC	
L	0.400	0.800	0.016	0.031
θ	0°	6°	0°	6°

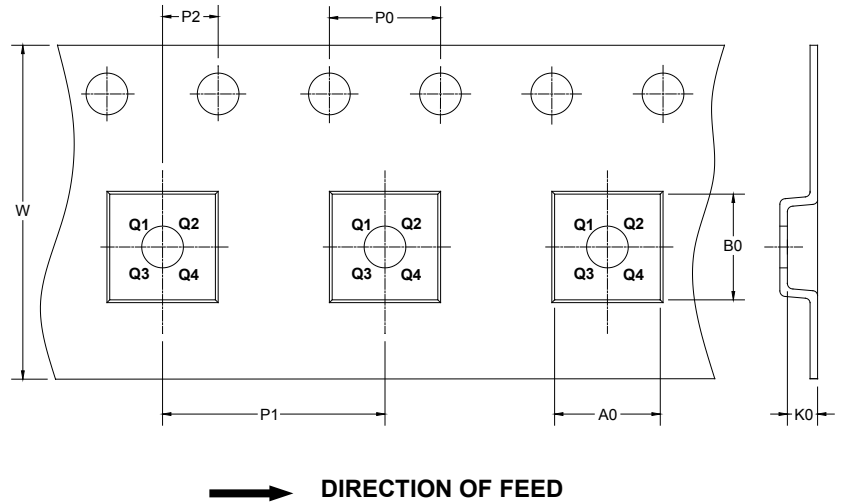
# PACKAGE INFORMATION

## TAPE AND REEL INFORMATION

### REEL DIMENSIONS



### TAPE DIMENSIONS



NOTE: The picture is only for reference. Please make the object as the standard.

### KEY PARAMETER LIST OF TAPE AND REEL

Package Type	Reel Diameter	Reel Width W1 (mm)	A0 (mm)	B0 (mm)	K0 (mm)	P0 (mm)	P1 (mm)	P2 (mm)	W (mm)	Pin1 Quadrant
SOIC-8	13"	12.4	6.40	5.40	2.10	4.0	8.0	2.0	12.0	Q1
MSOP-8	13"	12.4	5.20	3.30	1.50	4.0	8.0	2.0	12.0	Q1

000001



# PACKAGE INFORMATION

## CARTON BOX DIMENSIONS



NOTE: The picture is only for reference. Please make the object as the standard.

## KEY PARAMETER LIST OF CARTON BOX

Reel Type	Length (mm)	Width (mm)	Height (mm)	Pizza/Carton
13"	386	280	370	5

DD0002

单击下面可查看定价，库存，交付和生命周期等信息

[>>SGMICRO\(圣邦微电子\)](#)