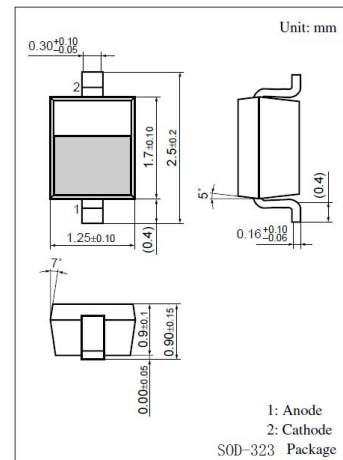


## Variable Capacitance Diodes

### Features

- Excellent linearity
- Hing Capacitance ratio:  $C_{1V}/C_{4V} > 6.2$
- Low series resistance:  $r_s \leq 0.6 \Omega$
- Package: SOD-323



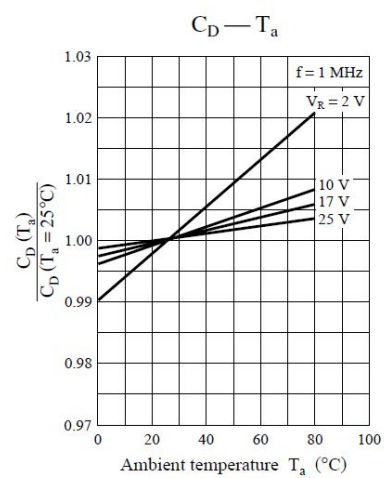
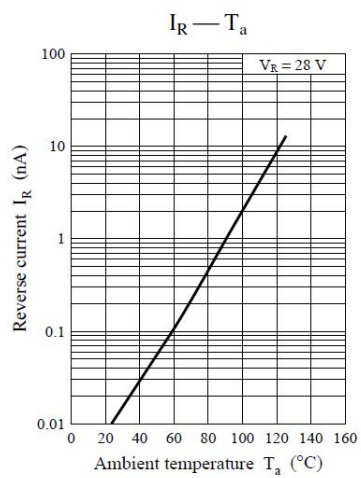
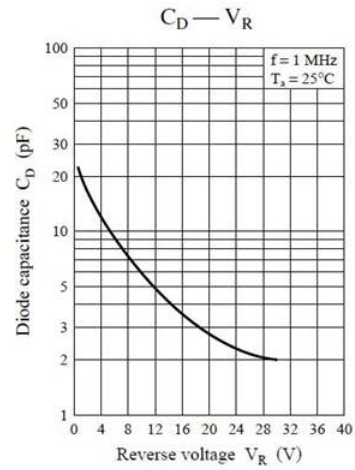
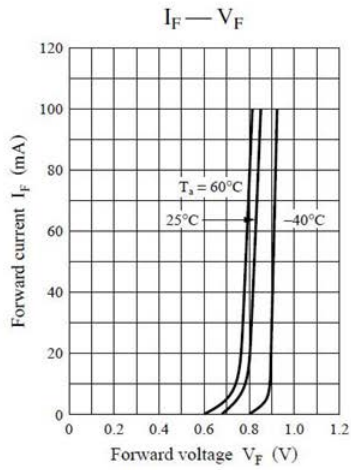
Marking Symbol: A0

### Maximum ratings

Parameter	Symbol	Rating		Unit
		Min	Max	
Assignment Temperature Range	$T_{amb}$	-55	100	°C
Storage Temperature Range	$T_{atg}$	-55	125	°C
Maximum Reverse voltage	$V_{RM}$		10	V
Junction Temperature	$T_j$		125	°C
Forward voltage ( $I_F=20mA$ )	$V_F$		1	V
Reverse voltage	$V_R$		28	V

### Electrical Characteristics (at $T_{amb}=25^\circ C$ )

Parameter	Symbol	Test Conditions	Min	Typ	Max	Unit
Diode capacitance	$C_1$	$V_{R1}=2V$	14.11		17	PF
Diode capacitance	$C_2$	$V_{R2}=25v$	2.05		2.5	PF
Capacitance ratio	$C_1/C_2$	$V_{R1}=1V, V_{R2}=4V$	6.2			
Reverse Current	$I_R$	$V_R=28V$			10	nA
Forward Voltage	$V_F$	$I_F=20mA$			1	V
Series resistance	$r_s$	$F=470MHz, C_0=14pF$		0.45	0.60	$\Omega$



单击下面可查看定价，库存，交付和生命周期等信息

[>>SHIKUES\(时科\)](#)