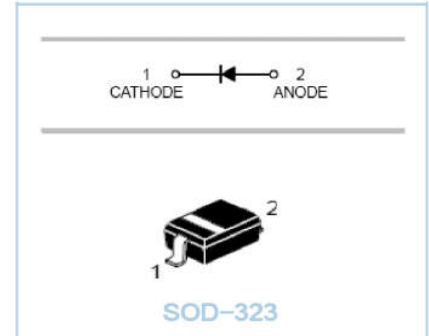


Silicon Epitaxial Planar Diode

FEATURES

- Fast Switching Speed.
- Surface Mount Package Ideally Suited For Automatic Insertion
- For General Purpose Switching Applications
- High Conductance



APPLICATIONS

- Surface mount fast switching diode

ORDERING INFORMATION

Type No.	Marking	Package Code
BAS321	A7	SOD-323

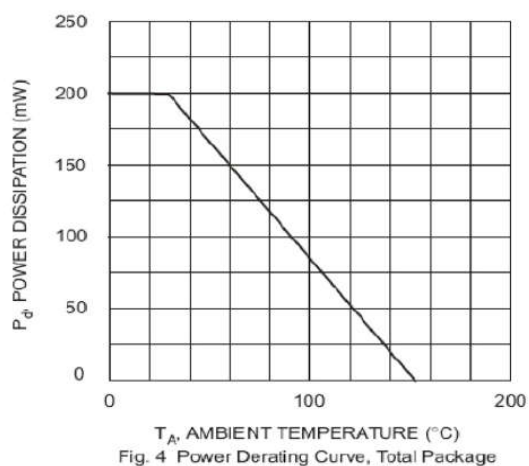
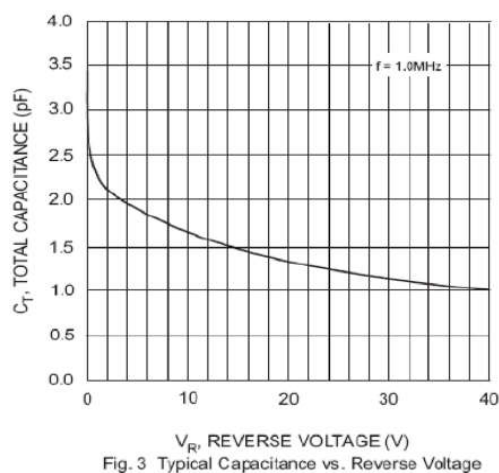
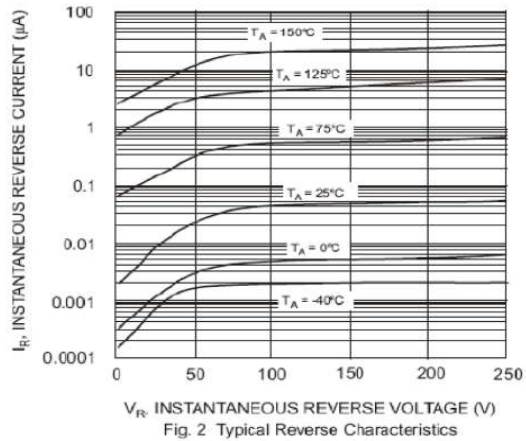
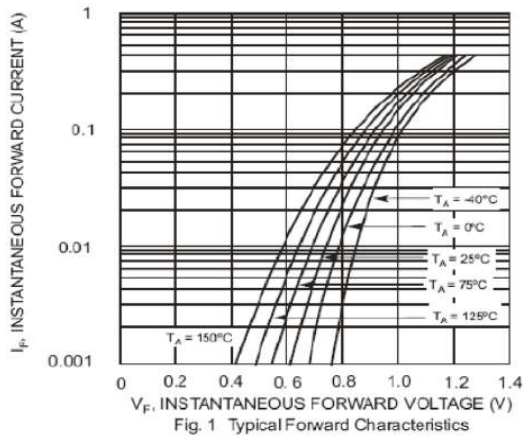
MAXIMUM RATING @ Ta=25°C unless otherwise specified

Characteristic	Symbol	TECHNICAL DATA	Unit
Repetitive Peak Reverse Voltage	V_{RRM}	250	V
Working Peak Reverse Voltage	V_{RWM}	200	V
DC Reverse Voltage	V_R		
RMS Reverse Voltage	$V_{R(RMS)}$	141	V
Forward Continuous Current	I_{FM}	400	mA
Average Rectified Output Current	I_o	200	mA
Non-Repetitive Peak Forward Surge Current	I_{FSM}	2.5	A
@t=1.0 μ s		0.5	
@t=1.0 s			
Repetitive Peak Forward Surge Current	I_{FRM}	625	mA
Power Dissipation	P_d	200	mW
Thermal Resistance Junction to Ambient Air	$R_{\theta JA}$	625	$^{\circ}C/W$
Operating and Storage Temperature Range	T_j, T_{STG}	-65 to+150	$^{\circ}C$

ELECTRICAL CHARACTERISTICS @ Ta=25°C unless otherwise specified

Characteristic	Symbol	Min	Max	Unit	Test Condition
Forward Voltage	V_{FM}	-	1.0 1.25	V	$I_F=100mA$ $I_F=200mA$
Reverse Current	I_R	-	0.1	mA	$V_R=200V$
Capacitance between terminals	C_T	-	5	pF	$V_R=0, f=1.0MHz$
Reverse Recovery Time	t_{rr}	-	50	ns	$I_F=I_R=30mA,$ $I_{rr}=0.1 \times I_R, R_L=100\Omega$

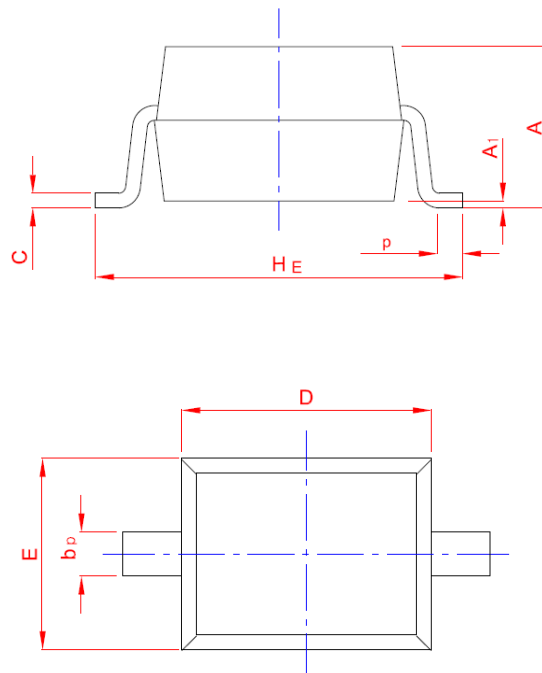
TYPICAL CHARACTERISTICS @ Ta=25°C unless otherwise specified



PACKAGE OUTLINE

Plastic surface mounted package;

2 leads



UNIT	A	bp	C	D	E	HE	A1	Lp
mm	1.20	0.40	0.15	1.80	1.35	2.80	0.10	0.50
	0.90	0.25	0.10	1.60	1.15	2.30	0.01	0.20

单击下面可查看定价，库存，交付和生命周期等信息

[>>SHIKUES\(时科\)](#)