

## Surface Mount Schottky Barrier Rectifier

Reverse Voltage - 30 to 90

Forward Current - 1.0 A

### FEATURES

- Metal silicon junction, majority carrier conduction
- For surface mounted applications
- Low power loss, high efficiency
- High forward surge current capability
- For use in low voltage, high frequency inverters, free wheeling, and polarity protection applications



PIN DESCRIPTION 1: Cathode 2: Anode

**Simplified outline SOD-123FL and symbol**

### MECHANICAL DATA

- Case: SOD-123FL
- Terminals: Solderable per MIL-STD-750, Method 2026
- Approx. Weight: 15mg 0.00048oz

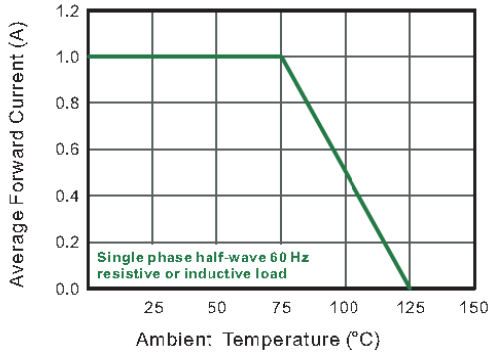
### Absolute Maximum Ratings and Electrical characteristics

Ratings at 25°C ambient temperature unless otherwise specified. Single phase, half wave, 60Hz resistive or inductive load, for capacitive load, derate by 20 %

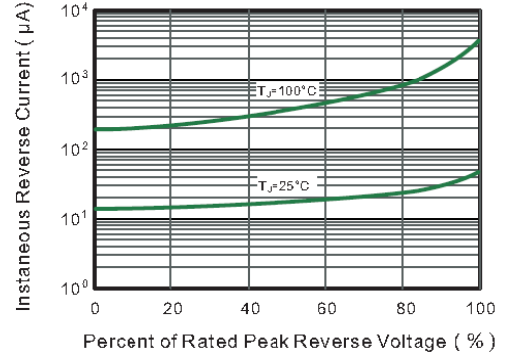
Parameter	Symbols	RB160M-30	RB160M-40	RB160M-60	RB160M-90	Units
Maximum Repetitive Peak Reverse Voltage	$V_{RRM}$	30	40	60	90	V
Maximum RMS voltage	$V_{RMS}$	21	28	42	63	V
Maximum DC Blocking Voltage	$V_{DC}$	30	40	60	90	V
Maximum Average Forward Rectified Current	$I_{F(AV)}$	1.0				A
Peak Forward Surge Current, 8.3ms Single Half Sine-wave Superimposed on Rated Load (JEDEC method)	$I_{FSM}$	40			30	A
Max Instantaneous Forward Voltage at 1 A	$V_F$	0.55		0.70	0.85	V
Maximum DC Reverse Current $T_a = 25^\circ\text{C}$ at Rated DC Reverse Voltage $T_a = 100^\circ\text{C}$	$I_R$	0.3 10			0.2 5	mA
Typical Junction Capacitance <sup>1)</sup>	$C_j$	110	80			pF
Typical Thermal Resistance <sup>2)</sup>	$R_{\theta JA}$	115				°C/W
Operating Junction Temperature Range	$T_j$	-55 ~ +125				°C
Storage Temperature Range	$T_{stg}$	-55 ~ +150				°C

1) Measured at 1MHz and applied reverse voltage of 4 V D.C.    2) P.C.B. mounted with 0.2 X 0.2" (5 X 5 mm) copper pad areas.

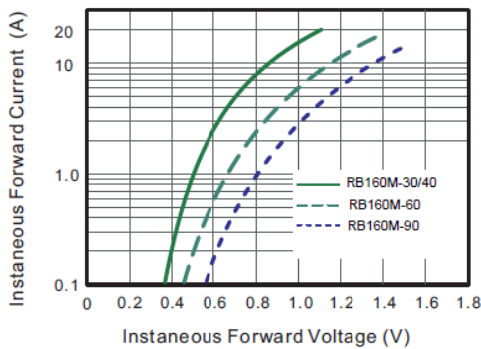
**Fig.1 Forward Current Derating Curve**



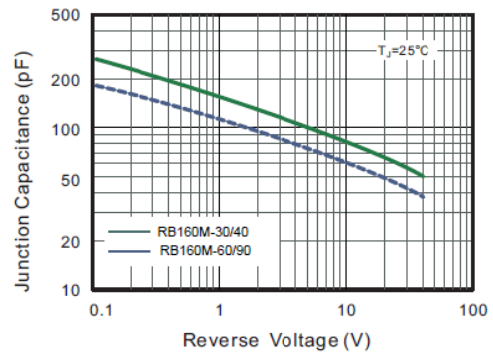
**Fig.2 Typical Reverse Characteristics**



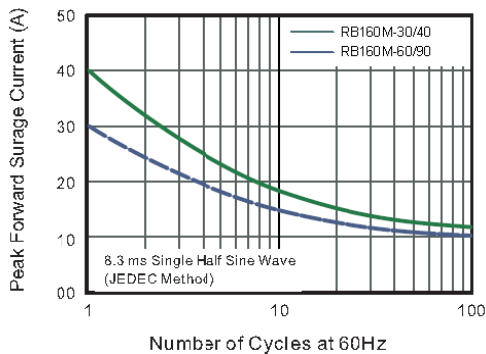
**Fig.3 Typical Forward Characteristic**



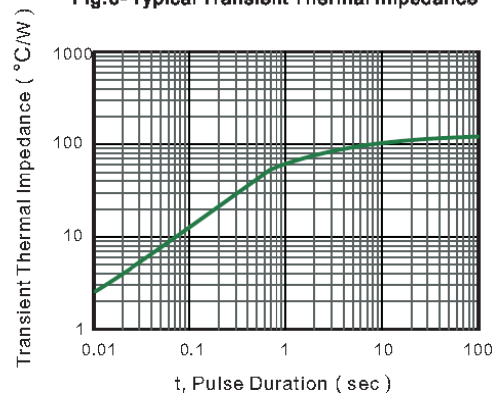
**Fig.4 Typical Junction Capacitance**



**Fig.5 Maximum Non-Repetitive Peak Forward Surge Current**



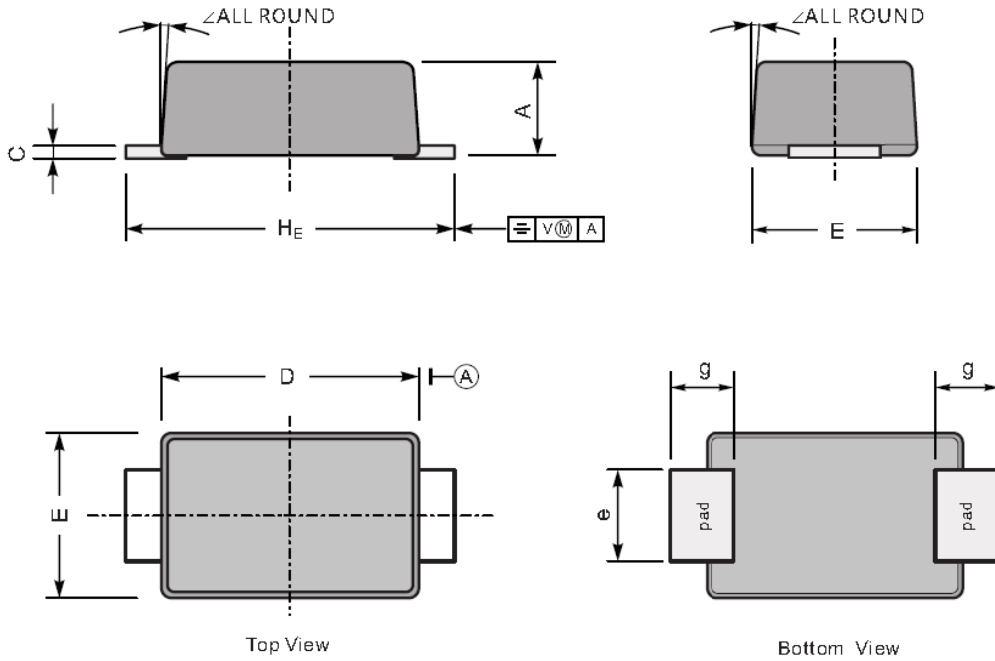
**Fig.6 Typical Transient Thermal Impedance**



## PACKAGE OUTLINE

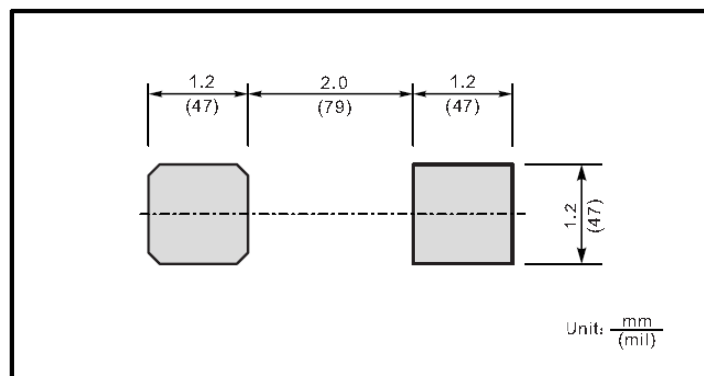
Plastic surface mounted package; 2 leads

SOD-123FL



UNIT		A	C	D	E	e	g	H <sub>E</sub>	∠
mm	max	1.1	0.20	2.9	1.9	1.1	0.9	3.8	7°
	min	0.9	0.12	2.6	1.7	0.8	0.7	3.5	
mil	max	43	7.9	114	75	43	35	150	
	min	35	4.7	102	67	31	28	138	

### The recommended mounting pad size



单击下面可查看定价，库存，交付和生命周期等信息

[>>SHIKUES\(时科\)](#)