

Description

The SiT5711 is the industry’s smallest (9 mm x 7 mm) package, stratum 3E compliant oscillator with ±5 ppb over-temp stability and ±0.8 ppb per day short term aging.

By combining SiTime’s unique DualMEMS™ temperature sensing and TurboCompensation™ technology, the SiT5711 delivers stable timing in the presence of environmental hazards – air flow, temperature perturbation, vibration, shock and electromagnetic interference (EMI). This environmental robustness enables placement of the device anywhere on the PCB without any cover or mechanical shielding.

The SiT5711 can be factory-programmed to any frequency between 1 and 60 MHz. This programmability enables designers to optimize clock configuration while eliminating the long lead time and customization cost associated with quartz based OCXOs of which each frequency is custom built.

Features

- Any frequency between 1 and 60 MHz, in 1Hz steps
- ±0.3 ppb/°C frequency slope ($\Delta F/\Delta T$)
- ±5 ppb over-temperature stabilities.
Contact [SiTime](#) for ±2 and ±3 ppb options
- Up to 85°C operating temperature ranges, contact [SiTime](#) for 105°C option
- 3e-11 ADEV at 1 second average time
- Exceptional dynamic stability under airflow and rapid temperature changes
- Excellent Holdover over a wide range of conditions
- Integrated regulators for on-chip power-supply noise filtering and excellent PSRR
- GR-1244 Stratum 3E compliant
- Resistant to shock, vibration and board bending
- 3.3V supply voltage (contact [SiTime](#) for other voltages)
- Contact [SiTime](#) for I²C Voltage Control options
- LVCMOS output, Contact [SiTime](#) for Clipped Sinewave
- RoHS and REACH compliant, Pb-free, Halogen-free and Antimony-free

Applications

- 4G/5G radio
- Base Stations
- Digital Switching
- Time and Frequency Measurement
- IEEE1588
- Test and measurement

Sitime Confidential For BEIHANG

9.0 x 7.0 mm Package



Figure 1. Top and bottom view

Package Pinout

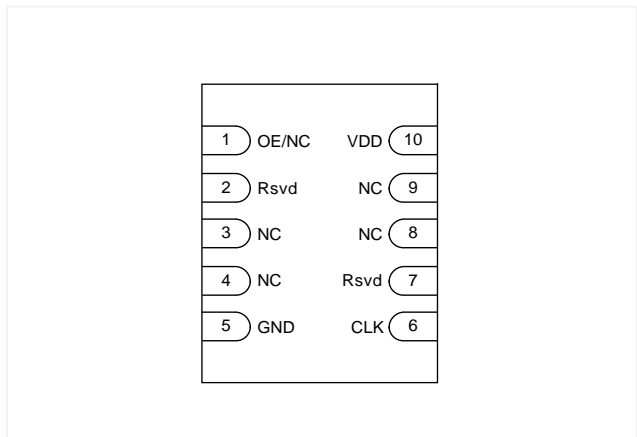


Figure 2. Pin Assignments (Top view)

Electrical Characteristics

All Min and Max limits are specified over temperature and rated operating voltage with 15 pF output load unless otherwise stated. Typical values are at 25°C and 3.3V VDD.

Table 1. Output Characteristics

Parameters	Symbol	Min.	Typ.	Max.	Unit	Condition
Frequency Coverage						
Output Frequency Range	F	1	–	60	MHz	
Frequency Stability						
Frequency Stability over Temperature	F_stab	-5	–	+5	ppb	Referenced to (fmax + fmin)/2 over the specified temperature range
		-8	–	+8	ppb	
Frequency vs. Temperature Slope	$\Delta F/\Delta T$	–	±0.3	–	ppb/°C	In still air, 1°C/min ramp rate
Dynamic Frequency Change to Temperature Ramp	F_dynamic	–	±0.005	–	ppb/s	In still air, 1°C/min ramp rate
Initial Tolerance	F_init	–	±500	–	ppb	Initial frequency at 25°C inclusive of solder-down shift at 48 hours after 2 reflows
24-hour drift	F_24_Drift	–	±0.9	–	ppb	Measured at 25°C after 30 days continuous operation
Hysteresis Over Temperature	F_Hys	–	–	+1	ppb	Over -20 to 70 °C, measured as max frequency spread of hysteresis eye
		–	–	+1.6	ppb	Over -40 to 85 °C, measured as max frequency spread of hysteresis eye
One-Day Aging	F_1d	–	±0.8	–	ppb	After 30-days operation
One-Month Aging	F_1m	–	±25	–	ppb	After 30-days operation
One-Year Aging	F_1y	–	±150	–	ppb	After 30-days operation
20-Year Aging	F_20y	–	±500	–	ppb	After 30-days operation
Total Stability – 20 years	F_20y_stab	-4.6	–	+4.6	ppm	Stratum 3E per GR-1244 Core. Inclusive of initial tolerance, frequency stability over temperature, 20-year aging, and variations to supply voltage and output load. Typically called free running accuracy
Supply Voltage Sensitivity	F_vdd	–	±1	–	ppb	Vdd ±5%
Output Load Sensitivity	F_load	–	±1	–	ppb	LVC MOS output, 15 pF ±10%
		–	±1	–	ppb	Clipped sinewave output, 10kΩ, 10 pF ±10%
Start-up Characteristics						
Start-up Time	T_start	–	5	–	ms	Time to first pulse
Time to Rated Stability	T_stability	–	2	–	min	Time to first accurate pulse within rated stability
LVC MOS Output Characteristics						
Duty Cycle	DC	45	–	55	%	
Rise/Fall Time	tr, tf		1		ns	10% - 90% VDD
Output Voltage High	V _{OH}	90%			V _{DD}	I _{OH} = -6 mA, (Vdd = 3.3V)
Output Voltage Low	V _{OL}			10%	V _{DD}	I _{OL} = 6 mA, (Vdd = 3.3V)
Clipped Sinewave Output Characteristics						
Output Voltage Level	V _{OUT}	0.8	–	1.2	V	Measured peak-to-peak swing at any Vdd – 10kΩ 10 pF ±10%
Rise/Fall Time	tr, tf		1		ns	10% - 90% V _{DD}

Table 2. DC Characteristics

Parameters	Symbol	Min.	Typ.	Max.	Unit	Condition
Supply Voltage						
Supply Voltage	V _{DD}	3.14	3.3	3.47	V	Contact SiTime for other voltage options
Power Consumption						
Power Consumption – Warm up	Pwr_warmup		2.5		W	Max power may be configurable lower, higher max gives shorter time.
Power Consumption – Steady State	Pwr_steady		0.60		W	At +50°C
Temperature Range						
Operating Temperature Range	T_use	-20	–	+70	°C	Extended commercial
		-40	–	+85	°C	Industrial. Contact SiTime for 105°C support

Table 3. Input Characteristics

Parameters	Symbol	Min.	Typ.	Max.	Unit	Condition
Input Characteristics – OE Pin						
Input Impedance	Z _{in}	–	30	–	kΩ	Internal pull up to VDD
Input High Voltage	V _{IH}	70	–	–	%	
Input Low Voltage	V _{IL}	–	–	30	%	

Table 4. Jitter & Phase Noise

Parameters	Symbol	Min.	Typ.	Max.	Unit	Condition
Jitter						
RMS Period Jitter	T _{jitt}	–	0.8	–	ps	F = 10 MHz, population 10k
RMS Phase Jitter (random)	T _{phj}	–	0.31	–	ps	F = 10 MHz, Integration bandwidth = 12 kHz to 5 MHz
		–	0.31	–	ps	F = 50 MHz, Integration bandwidth = 12 kHz to 20 MHz
Peak Cycle-to-Cycle Jitter	T _{jitt_cc}	–	6	–	ps	F = 10 MHz, population 1k, measured as absolute value
Allan Deviation						
$\tau = 1 \text{ second}$	AD_1s	–	3 E-11	–		
$\tau = 10 \text{ seconds}$	AD_10s	–	2 E-11	–		
$\tau = 100 \text{ seconds}$	AD_100s	–	2 E-11	–		
Phase Noise						
1 Hz offset		–	-80	–	dBc/Hz	Reference f = 10 MHz
10 Hz offset		–	-108	–	dBc/Hz	
100 Hz offset		–	-127	–	dBc/Hz	
1 kHz offset		–	-148	–	dBc/Hz	
10 kHz offset		–	-154	–	dBc/Hz	
100 kHz offset		–	-154	–	dBc/Hz	
1 MHz offset		–	-167	–	dBc/Hz	
5 MHz offset		–	-168	–	dBc/Hz	

Table 5. Absolute Maximum Limits

Attempted operation outside the absolute maximum ratings may cause permanent damage to the part. Actual performance of the IC is only guaranteed within the operational specifications, not at absolute maximum ratings.

Parameter	Min.	Max.	Unit
Storage Temperature	-65	150	°C
V _{dd}	-0.5	4	V
Electrostatic Discharge	–	2000	V
Soldering Temperature (follow standard Pb-free soldering guidelines)	–	260	°C

Table 6. Environmental Compliance

Parameter	Condition/Test Method
Mechanical Shock	MIL-STD-883F, Method2002
Mechanical Vibration	MIL-STD-883F, Method2007
Temperature Cycle	JESD22, MethodA104
Solderability	MIL-STD-883F, Method2003
Moisture Sensitivity Level	TBD

Pin-outs

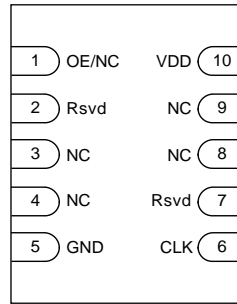


Figure 3. Pin Assignments (Top view)

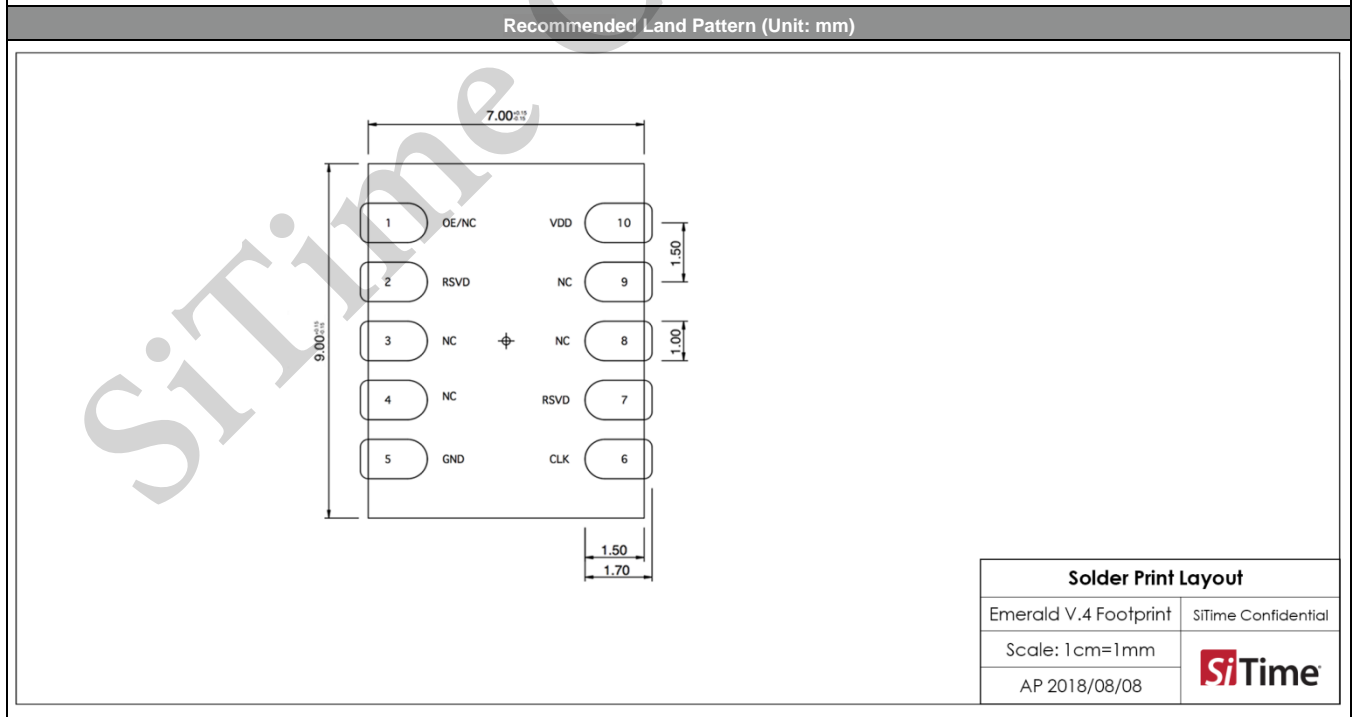
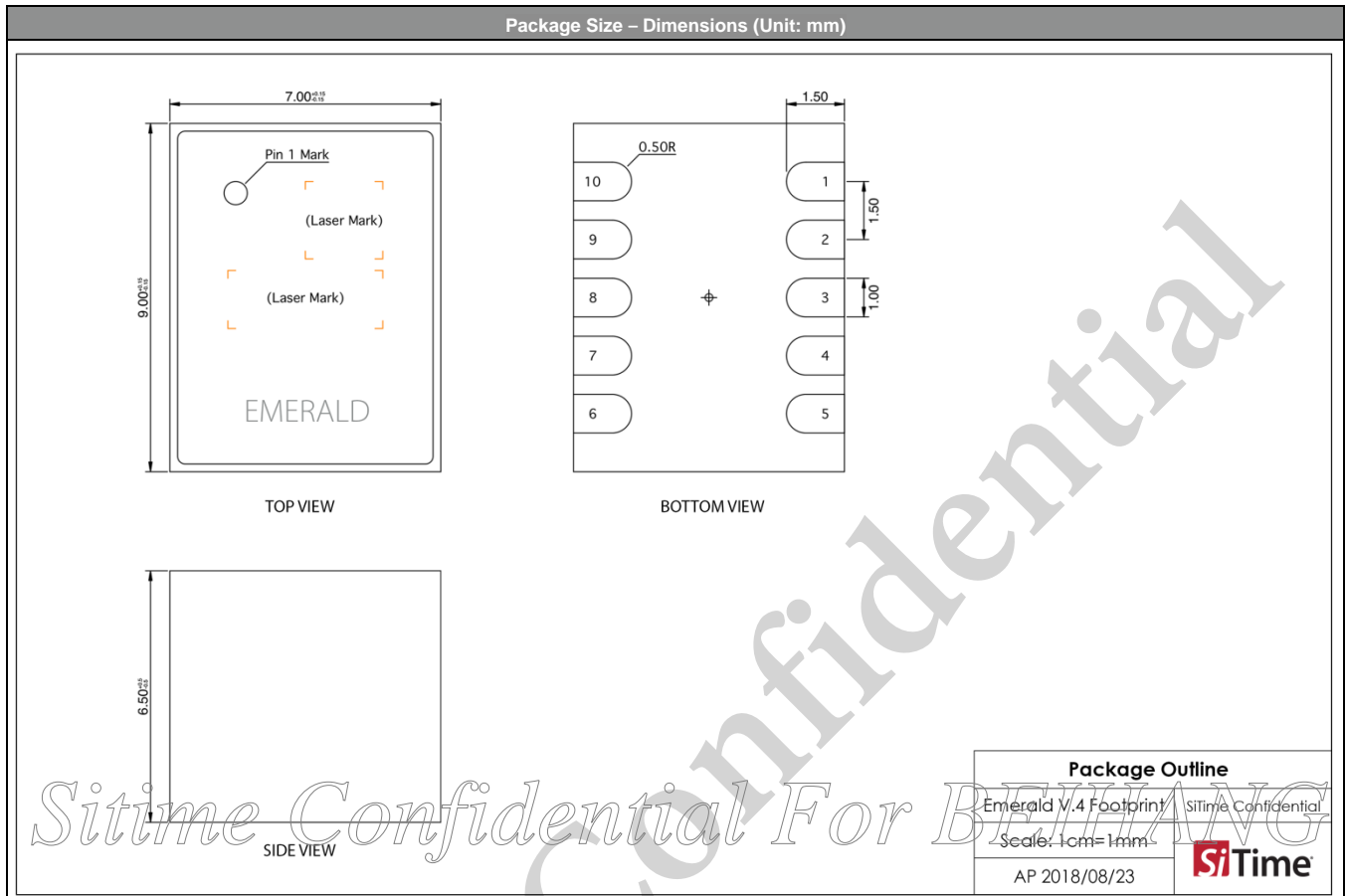
Table 7. Pin Description

Pin	Symbol	I/O	Internal Pull-up/Pull Down Resistor	Function
1	OE/NC	OE – Input	100 kΩ Pull-Up	H ¹¹ : specified frequency output L: output is high impedance. Only output driver is disabled
		NC – No Connect	-	H or L or Open: No effect on output frequency or other device functions
2	Rsvd	Reserved	-	Connect to VDD or leave it open
3	NC	No Connect	-	H or L or Open: No effect on output frequency or other device functions
4	NC	No Connect	-	H or L or Open: No effect on output frequency or other device functions
5	GND	Power	-	Connect to ground ²⁾
6	CLK	Output	-	LVC MOS, or clipped sinewave oscillator output
7	Rsvd	Reserved	-	Connect to VDD or leave it open
8	NC	No Connect	-	H or L or Open: No effect on output frequency or other device functions
9	NC	No Connect	-	H or L or Open: No effect on output frequency or other device functions
10	VDD	Power	-	Connect to VDD

Notes:

1. In OE mode, a pull-up resistor of 100 kΩ or less is recommended if pin 1 is not externally driven. If pin 1 needs to be left floating, use the NC option.
2. 0.1 μF capacitor in parallel with a 10 μF capacitor are required between VDD and GND.

Dimensions and Patterns (9 mm x 7 mm package)



Layout Guidelines

- SiT5711 uses internal regulators to minimize the impact of the power supply noise. For further reduction of noise, it is essential to use two bypass capacitors (0.1 μ F and 10 μ F). Place the bypass capacitors as close to the VDD as possible, typically within 1 to 2 mm. Ensure 0.1 μ F cap the closest to the device VDD and GND power pins.
- It is also recommended to connect all NC pins to the ground plan and place multiple vias under GND pin for maximum heat dissipation.
- For additional layout recommendations, refer to the [Best Design Layout Practices](#).

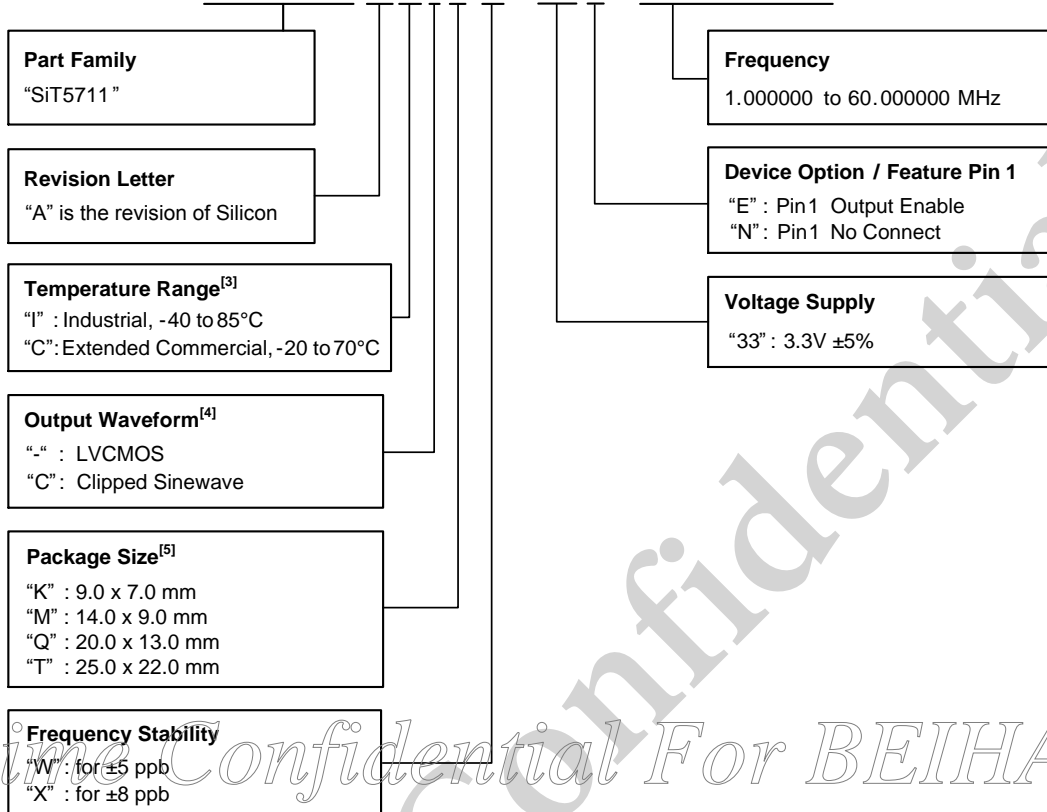
Manufacturing Guidelines

- No Ultrasonic or Megasonic Cleaning: Do not subject the SiT5711 to an ultrasonic or megasonic cleaning environment. Permanent damage or long-term reliability issues to the device may occur in such an event.
- No metal cover. Unlike legacy quartz OCXO, SiT5711 is engineered to operate reliably without performance degradation, in the presence of ambient disturbers such as airflow and sudden temperature changes. Therefore, the use of a metal cover typical of quartz OCXO is not needed.
- Reflow profile, per JESD22-A113D.
- For additional manufacturing guidelines and marking/tape-reel instructions, refer to [SiTime Manufacturing Notes](#).

Sitime Confidential For BEIHANG

Ordering Information

SiT5711 AC-KW-33E-19.123456



Notes:

3. Contact [SiTime](#) for higher temperature range options
4. "-" corresponds to the default rise/fall time for LVCMOS output as specified in [Table 1](#) (Electrical Characteristics). Contact [SiTime](#) for other rise/fall time options for best EMI.
5. Contact [SiTime](#) for 14.0 x 9.0 mm, 20.0 x 13.0 mm, 25.0 x 22.0 mm footprints.

Table 8. Evaluation tools

Ordering Code	Description	Document
SiT6730	Evaluation board for the Emerald family of holdover oscillators	Contact SiTime

Table 9. Additional Information

Document	Description	Download Link
SiT6730 EVB	Evaluation board, contact SiTime	–
Time Machine II	MEMS oscillator programmer	http://www.sitime.com/support/time-machine-oscillator-programmer
Field Programmable Oscillators	Devices that can be programmable in the field by Time Machine II	http://www.sitime.com/products/field-programmable-oscillators
Manufacturing Notes	Tape & Reel dimension, reflow profile and other manufacturing related info	http://www.sitime.com/manufacturing-notes
Qualification Reports	RoHS report, reliability reports, composition reports	http://www.sitime.com/support/quality-and-reliability
Performance Reports	Additional performance data such as phase noise, current consumption and jitter for selected frequencies	http://www.sitime.com/support/performance-measurement-report
Termination Techniques	Termination design recommendations	http://www.sitime.com/support/application-notes
Layout Techniques	Layout recommendations	http://www.sitime.com/support/application-notes

Table 10. Revision History

Version	Release Date	Change Summary
0.1	07/17/2018	First release, advanced information
0.11	07/27/2018	Changed Pin 2 and Pin 7 to Rsvd
0.12	08/08/2018	Added 9x7 mm package option in the ordering code Added 9x7 mm package pad layout recommendation Misc. corrections
0.13	08/09/2018	Removed 10 mm x 10 mm package Misc. formatting changes
0.14	08/27/2018	Added ±3 ppm support Added 14.0 x 9.0 mm, 20.0 x 13.0 mm, 25.0 x 22.0 mm packages Updated Table 1 and Ordering information Added Package Drawing section

SiTime Corporation, 5451 Patrick Henry Drive, Santa Clara, CA 95054, USA | Phone: +1-408-328-4400 | Fax: +1-408-328-4439

© SiTime Corporation 2018. The information contained herein is subject to change at any time without notice. SiTime assumes no responsibility or liability for any loss, damage or defect of a Product which is caused in whole or in part by (i) use of any circuitry other than circuitry embodied in a SiTime product, (ii) misuse or abuse including static discharge, neglect or accident, (iii) unauthorized modification or repairs which have been soldered or altered during assembly and are not capable of being tested by SiTime under its normal test conditions, or (iv) improper installation, storage, handling, warehousing or transportation, or (v) being subjected to unusual physical, thermal, or electrical stress.

Disclaimer: SiTime makes no warranty of any kind, express or implied, with regard to this material, and specifically disclaims any and all express or implied warranties, either in fact or by operation of law, statutory or otherwise, including the implied warranties of merchantability and fitness for use or a particular purpose, and any implied warranty arising from course of dealing or usage of trade, as well as any common-law duties relating to accuracy or lack of negligence, with respect to this material, any SiTime product and any product documentation. Products sold by SiTime are not suitable or intended to be used in a life support application or component, to operate nuclear facilities, or in other mission critical applications where human life may be involved or at stake. All sales are made conditioned upon compliance with the critical uses policy set forth below.

CRITICAL USE EXCLUSION POLICY

BUYER AGREES NOT TO USE SITIME'S PRODUCTS FOR ANY APPLICATION OR IN ANY COMPONENTS USED IN LIFE SUPPORT DEVICES OR TO OPERATE NUCLEAR FACILITIES OR FOR USE IN OTHER MISSION-CRITICAL APPLICATIONS OR COMPONENTS WHERE HUMAN LIFE OR PROPERTY MAY BE AT STAKE.

SiTime owns all rights, title and interest to the intellectual property related to SiTime's products, including any software, firmware, copyright, patent, or trademark. The sale of SiTime products does not convey or imply any license under patent or other rights. SiTime retains the copyright and trademark rights in all documents, catalogs and plans supplied pursuant to or ancillary to the sale of products or services by SiTime. Unless otherwise agreed to in writing by SiTime, any reproduction, modification, translation, compilation, or representation of this material shall be strictly prohibited.

单击下面可查看定价，库存，交付和生命周期等信息

[>>SiTime\(赛特时脉\)](#)