

7I

[5.0×3.2×0.90 mm]

6I

[5.0×3.2×1.20 mm]

Surface Mount Crystals

7I, 6I

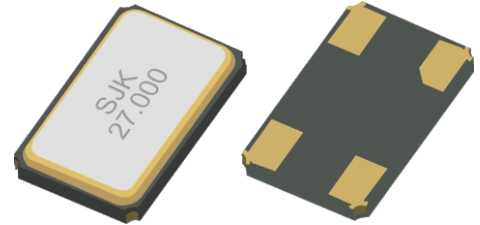
Fundamental /3rd

Frequency Range

8MHz~125MHz

Features

- Small size SMD crystal units with 5.0×3.2 (5032), glass sealed / seam sealed package.
- The entire package can be grounded via the top metal lid and the two bottom pads
- The tight tolerance and tight stability crystal is ideal for communications.
- The crystal package will withstand solder reflow.
- Applications: Telecommunication, PC and peripherals, Radio communications, Smart grid, Factory automation, etc.



Standard Specifications

Item / Type	7I (5.0×3.2×0.90 mm)	6I (5.0×3.2×1.20 mm)
Frequency Range	8~125 MHz(Fund. /3rd)	8~54 MHz(Fund.)
Load Capacitance	10pF~32pF, or specify	
Drive Level	10 μW typical (200 μW max.)	
Frequency Tolerance (at 25°C)	± 10ppm, ±20ppm or ±30ppm (max.)	
Aging	±3ppm / Year (max.)	
Storage Temperature Range	-55°C~+125°C	

ESR (Equivalent Series Resistance)

7I (5.0×3.2×0.90 mm)		6I (5.0×3.2×1.20 mm)	
Frequency Range	E.S.R	Frequency Range	E.S.R
8~12 MHz	80 Ω max.	8~12 MHz	80 Ω max.
12~45 MHz	50 Ω max.	12~54 MHz	50 Ω max.
45~125 MHz	100 Ω max.		

Frequency stability Vs Operating temperature range

Temp. (°C)	ppm					
	±5	±10	±15	±20	±25	±30
-10~+60	▲	○	○	○	○	○
-20~+70	×	○	○	○	○	○
-40~+85	×	×	○	○	○	○

▲: Conditional
○: Available
×: Not available

7I

[5.0×3.2×0.90 mm]

6I

[5.0×3.2×1.20 mm]

Surface Mount Crystals

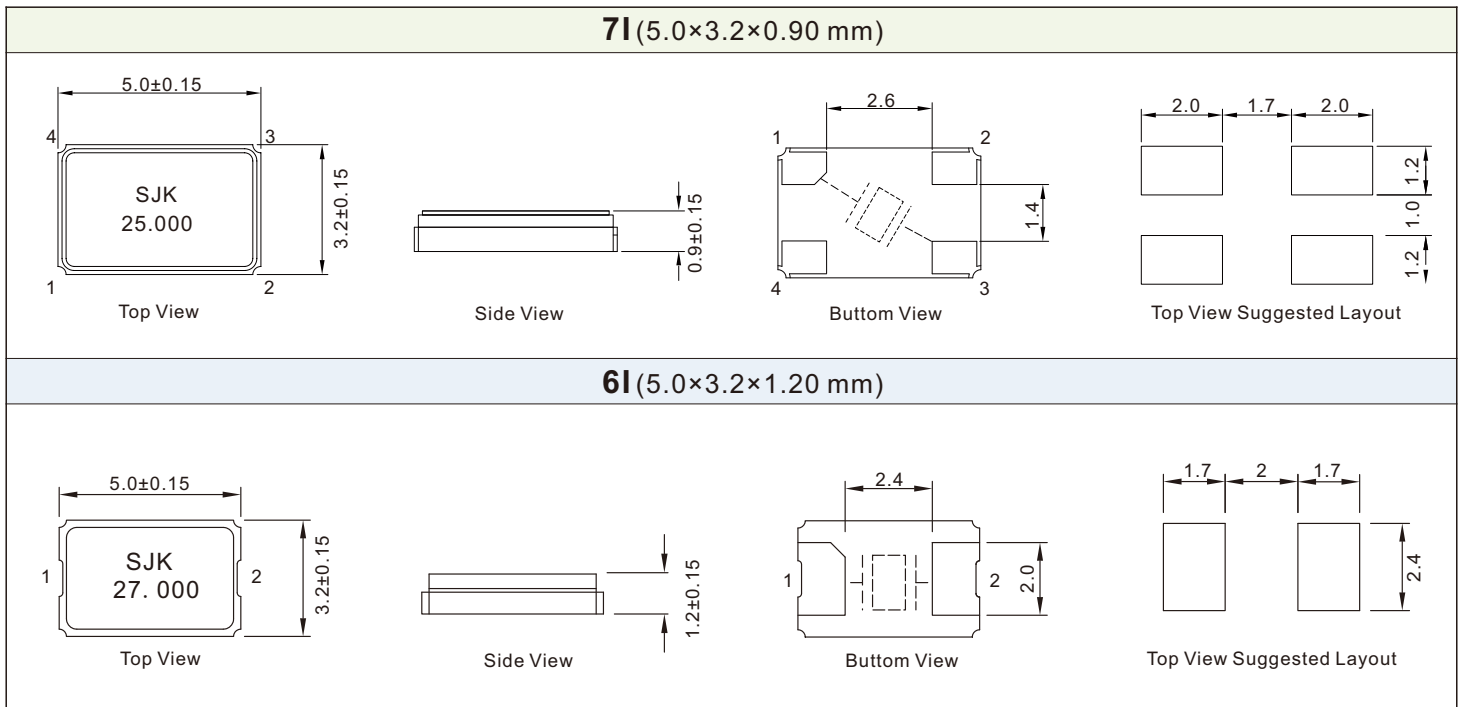
7I, 6I

Fundamental /3rd

Frequency Range

8MHz~125MHz

Outline Dimensions (Unit: mm)



* 6I series is glass sealed surface mount package

单击下面可查看定价，库存，交付和生命周期等信息

[>>SJK\(晶科鑫\)](#)