

Operation: DIP/3.5&沉板式音频插座



LTEM NO.:PJ-327-P5

(L14.20×W6.00×H4.60mm 3.5-PHONE-JACK)



Technical parameter

| PROJECT | LEVEL | A[better product] | B[average product] |
|-----------------------|----------------------------|-----------------------------|----------------------------|
| | | Contact Rating | |
| Electrical Properties | Initial Contact Resistance | 30mΩ max. | 50mΩ max. |
| | Insulation Resistance | 100MΩ min.500V DC | Skey/PD: 100MΩ min.300V DC |
| | Withstand Voltage | 500V AC for 1 minute | 350 V AC for 1 minut |
| Durable Performance | There No Load | 6,000 Cycles | 5,000 Cycles |
| | Rated Load | 5,000 Cycles | 4,000 Cycles |
| | Storage temp. | -25℃~+75℃(Operating Temp:) | |

入板插装 DIP

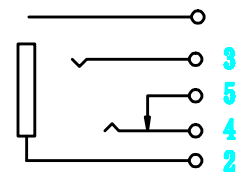
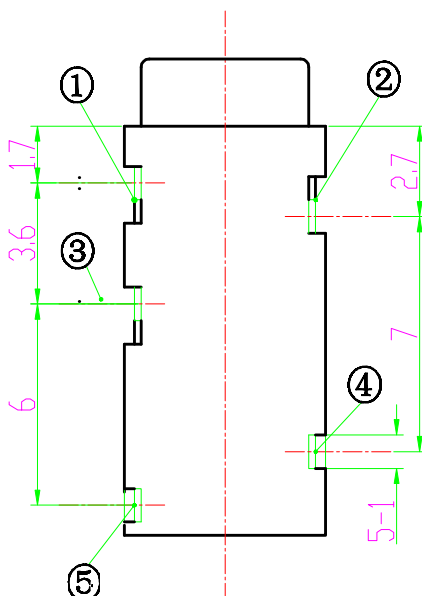
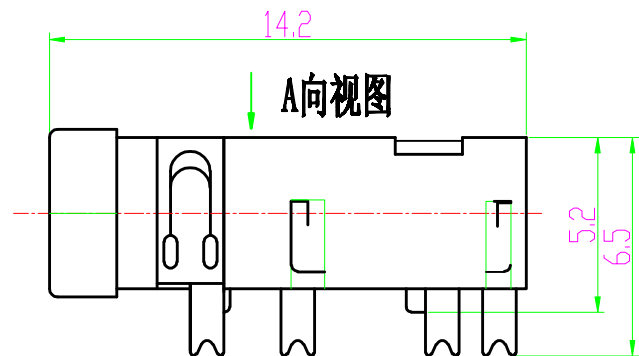
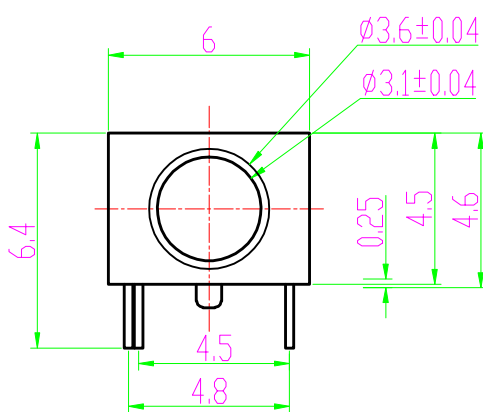
側向導入 LATERAL

精密部品 NICETY

可靠 STABILIZE

適合環保 RoHS

Unit:mm



5POLE PLUG

单击下面可查看定价，库存，交付和生命周期等信息

[>>SOFNG\(硕方\)](#)