

## Operation: SMT/3.5&贴片式音频插座/带开关功能



**LTEM NO.: PJ-342-2C**  
(L14.0×W6.4×H4.5mm 3.5-PHONE-JACK)



### Technical parameter

PROJECT	LEVEL	A[better product]	B[average product]
<b>Electrical Properties</b>	Contact Rating	25mA, 24V DC	
	Initial Contact Resistance	30mΩ max.	50mΩ max.
	Insulation Resistance	100MΩ min.500V DC	Skey/PD: 100MΩ min.300V DC
	Withstand Voltage	500V AC for 1 minute	350 V AC for 1 minut
	<b>Durable Performance</b>	There No Load	6,000 Cycles
Rated Load		5,000 Cycles	4,000 Cycles
<b>Storage temp.</b>		-25℃~+75℃(Operating Temp: )	

贴片安装 SMT

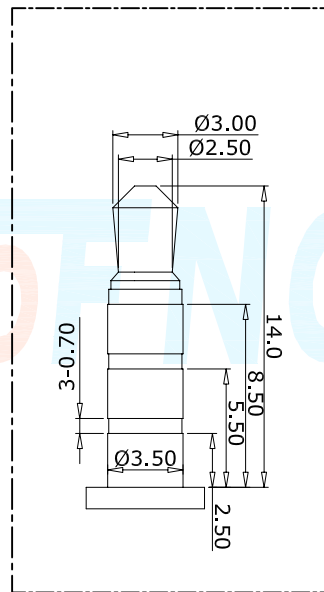
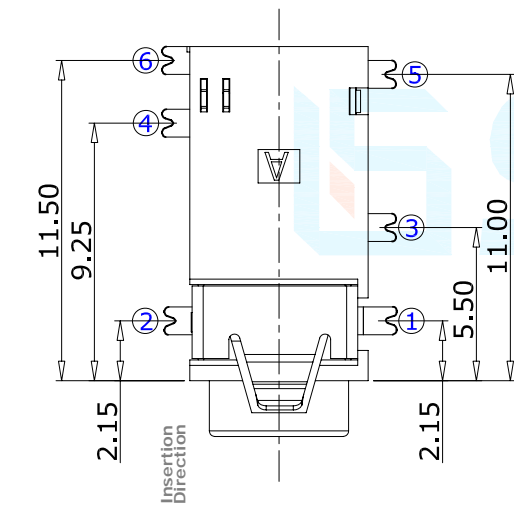
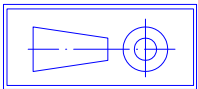
側向導入 LATERAL

精密部品 NICETY

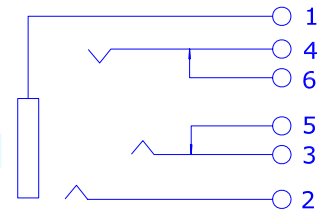
可靠 STABILIZE

適合環保 RoHS

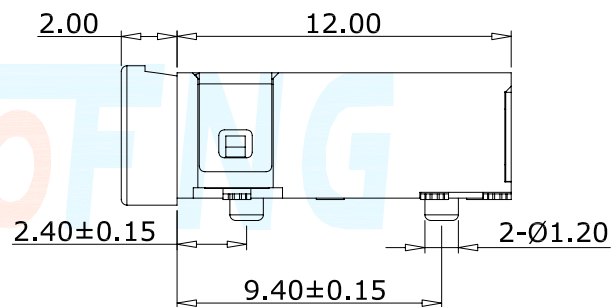
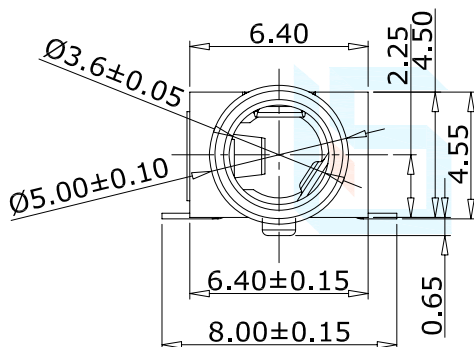
Unit:mm



### 6POLE PLUG



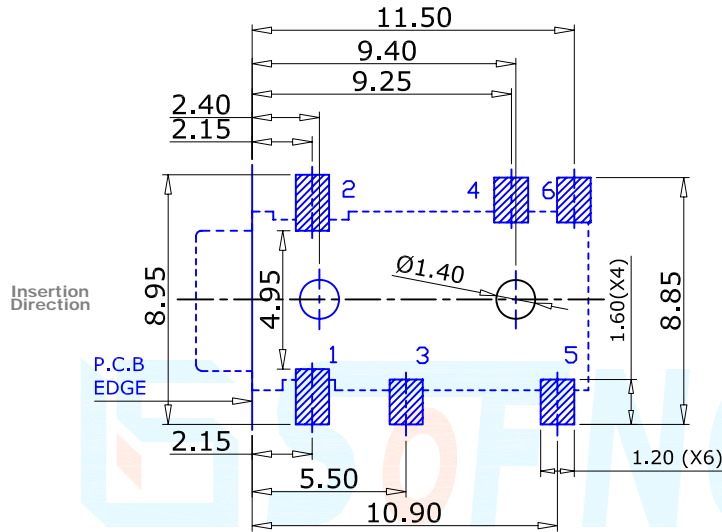
(Ø3.50mm 4 POLE PLUG DETAIL DRAWING)



Operating Force

Inward  
Exiting

5.0N~10.0N(grams)  
5.0N~10.0N(grams)



Pin Definition

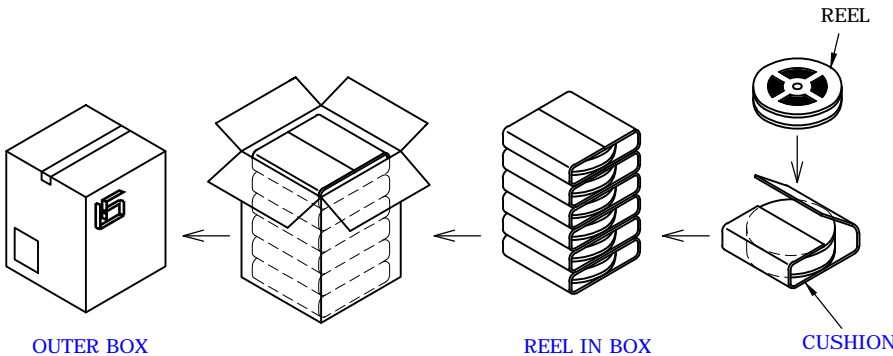


Material declaration

No.	NAME	Type	Description
①	接觸端子#1	1	C5191R-H (t=0.20mm) 磷銅[銀基]
②	接觸端子#2	1	C5191R-H (t=0.20mm) 磷銅[銀基]
③	接觸端子#3	1	C5191R-H (t=0.20mm) 磷銅[銀基]
④	接觸端子#4	1	C5191R-H (t=0.20mm) 磷銅[銀基]
⑤	接觸端子#5	1	C5191R-H (t=0.20mm) 磷銅[銀基]
⑥	接觸端子#6	1	C5191R-H (t=0.20mm) 磷銅[銀基]
⑦	基座	1	PA9T (Black) 耐熱塑膠



UNLESS OTHERWISE SPECIFIED TOLERANCES		
X.	+/-	METRIC 0.35
.X	+/-	0.25
.XX	+/-	0.25
FRACTIONS	+/-	
ANGLES	+/-	2.00'
DIMENSIONS		
(METRIC)	(MM)	



本品不屬於危害性廢棄物,須丟棄時可以委託回收商予以回收再生處理。  
Products do not belong to •

注記 NOTICE

1. 碩方公司擁有最終解釋權; The company reserves the right of final interpretation;
2. 文件禁止外洩、轉載; Leaked and reproduced prohibited;
3. 未經授權修改無效。Modify is invalid.

運送時本產品不要直接與水、酸鹼性化學物質接觸,或放置於含有以上氣體環境中,並且需要注意會有滑落、側翻的危險發生; 運輸過程中不能有碰撞或者擠壓,須保證溫度與濕度適中 [常溫 25℃,濕度在 50℃以內],不可導致材料變形或氧化。

单击下面可查看定价，库存，交付和生命周期等信息

[>>SOFNG\(硕方\)](#)