

Operation: SMT/直立贴片式 中小型 轻触开关 [高度/力度可定制]



LTEM NO.: TS-1109S-*** (Series)

(L4.5mm × W4.5mm × H 2.9mm TACT-SWITCH)

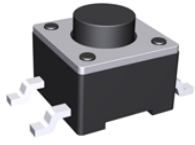
表面贴装 SMT

正向操作 DOWN

精密部品 NICETY

可靠 STABILIZE

適合環保 RoHS



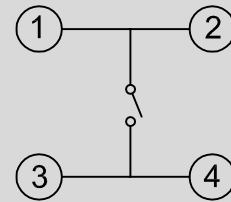
Technical parameter

PROJECT	LEVEL	A[better product]	B[average product]
	Contact Rating	25mA, 24V DC	
Electrical	Initial Contact Resistance	50mΩ max.	
Properties	Insulation Resistance	100MΩ min.500V DC	Skey/PD: 100MΩ min.300V DC
	Withstand Voltage	500V AC for 1 minute	350 V AC for 1 minut
Durable Performance	There No Load	100,000 Cycles	65,000 Cycles
	Rated Load	85,000 Cycles	50,000 Cycles
	Storage temp.	-35℃~+75℃(Operating Temp:)	
	Operating Force	1.6 / 2.6N. (1N.=100gram-force)	
	Heat Rrsistance	IR Reflow:245℃, 5sec. Manual:350℃, 3sec.	

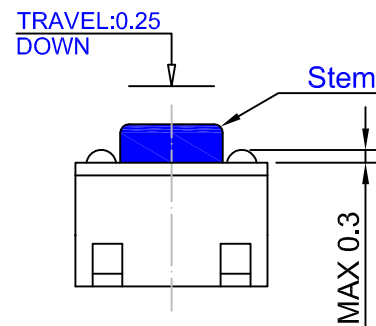
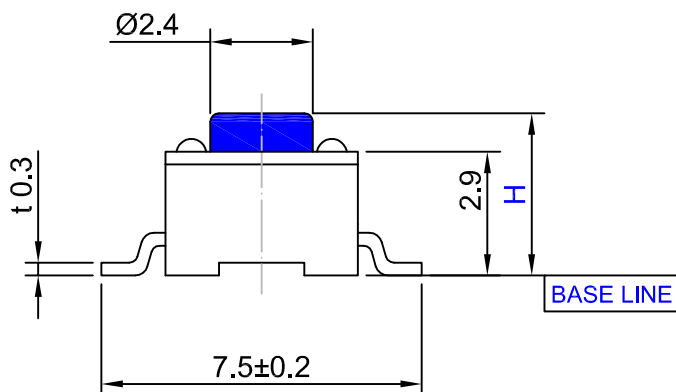
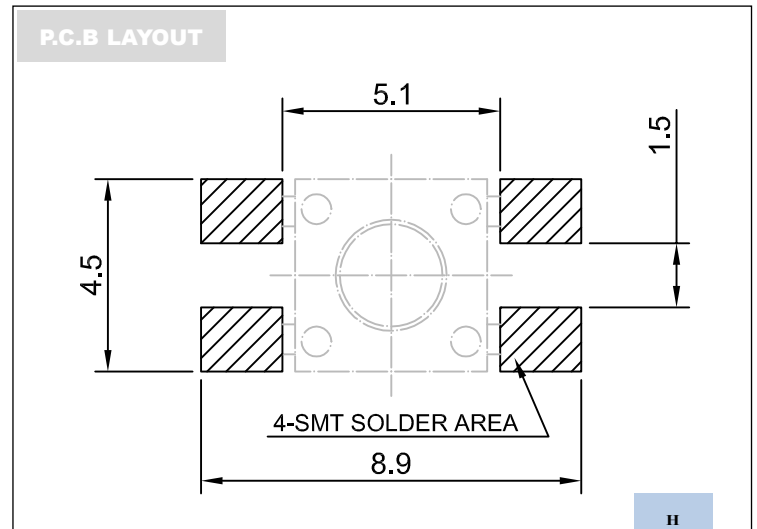
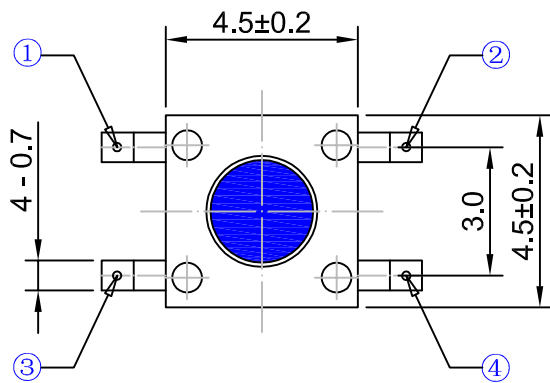
Material declaration

No.	NAME	Description
① A	拨柄	PA6T (Black)热塑性
② B	基座	PA6T (Black)热塑性
③ C	盖板	不锈钢 Q235-A
④ D	簧片	镀银&磷青铜 C5191/不锈钢 SUS304
⑤ E	嵌件	镀银&黄铜 H59

CIRCUIT DIAGRAM



Unit:mm



H
3.8
4.0
4.3
4.5
5.0
5.5
6.0
6.5
7.0
7.5
8.0

DECIMALS	ANGLES
.X :±0.20	X.° :±1.5°
.XX :±0.10	XX.X° :±1.0°
.XXX :±0.05	.XXX° :±0.5°

单击下面可查看定价，库存，交付和生命周期等信息

[>>SOFENG\(硕方\)](#)