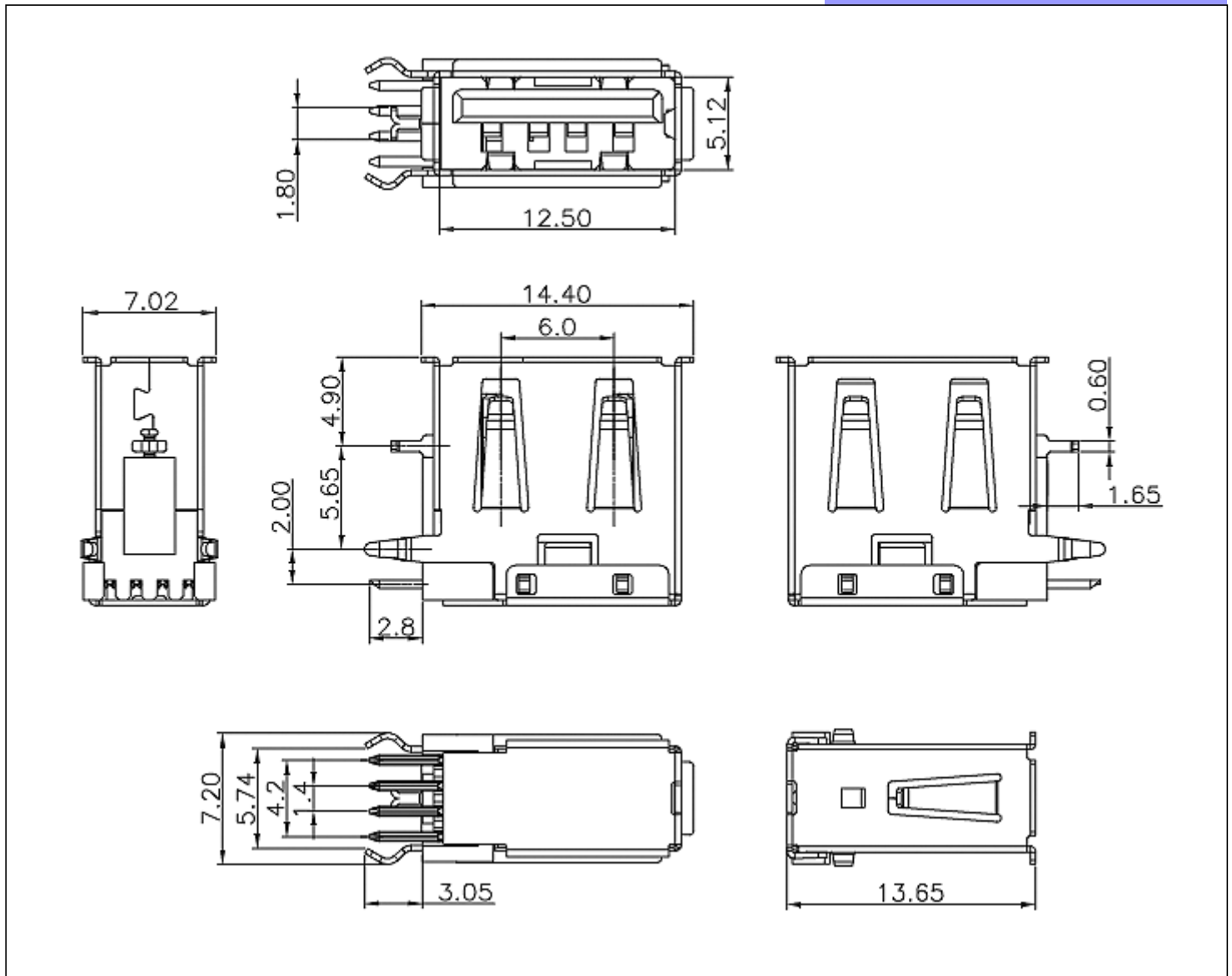


Operation: Push-Pull/H14.0



LTEM NO.:USB-107  
(2.0-USB-CONNECTORS)

Unit:mm



### Technical parameter

PROJECT		LEVEL	A[better product]	B[average product]	C[low product]
Electrical Properties	Initial Contact Resistance		30mΩ max.	30mΩ max.	no data!
	Contact Resistance		100mΩ min.100V DC Skey/PD: 50mΩ min.100V DC		
	Withstand Voltage		300V AC for 1min	250 V AC for 1min	
Durable Performance	There No Load		6,000 Cycles	<b>5,000 Cycles</b>	no data!
	Rated Load		4,500 Cycles 50mΩ max.	<b>3,500 Cycles</b> <b>30mΩ max.</b>	no data!
Insertion Force			4.0Kgf MAX (Springback: )		

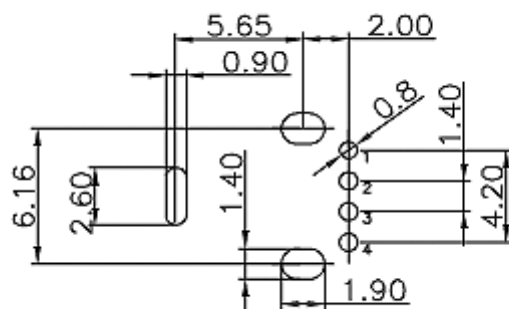
表面插裝 DIP

側向導入 LATERAL

精密部品 NICETY

可靠 STABILIZE

適合環保 RoHS

CIRCUIT BOARD SIZE  
(Vertical view)

## Material declaration

## Material declaration

Pin No.	NAME	Type	Description
1	胶芯	1	热塑性塑料 (PBT)
2	动态端子	4	黄铜带 (BRASS) C2680-t=0.25mm 镀银
3	外壳	1	黄铜 C2680/SPCC

本品不屬於危害性廢棄物,須丟棄時可以委託回收商予以回收再生處理。Products do not belong to hazardous waste, When waste can recycling processing

運送時本產品不要直接與水、酸鹼性化學物質接觸,或放置於含有以上氣體環境中,並且需要注意會有滑落、側翻的危險發生;運輸過程中不能有碰撞或者擠壓,須保證溫度與濕度適中[常溫 25°C,濕度在 50°C 以內],不可導致材料變形或氧化。

## 注記 NOTICE

1. 碩方電子公司擁有最終解釋權; The company reserves the right of final interpretation;
2. 文件禁止外洩、轉載; Leaked and reproduced prohibited;
3. 未經授權修改無效。Modify is invalid.

单击下面可查看定价，库存，交付和生命周期等信息

[>>SOFNG\(硕方\)](#)