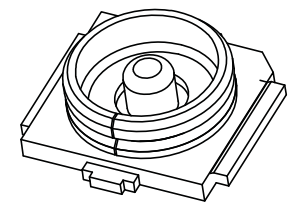
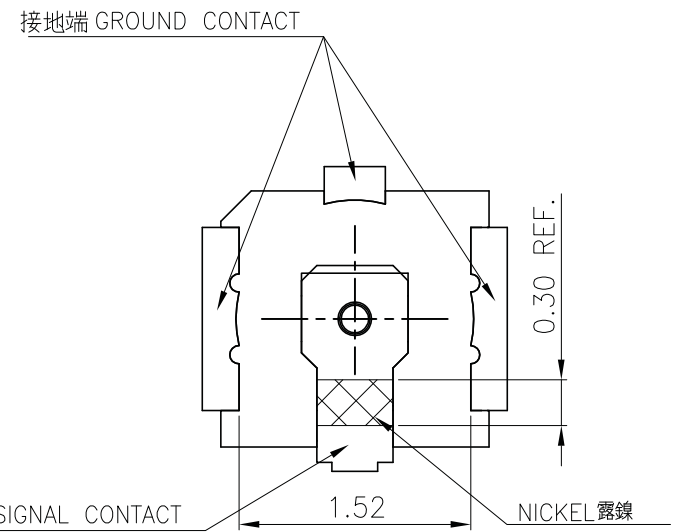
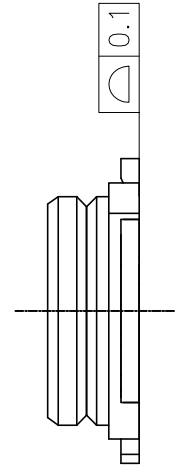
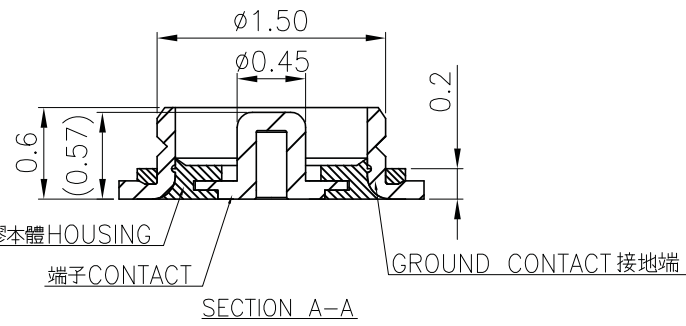
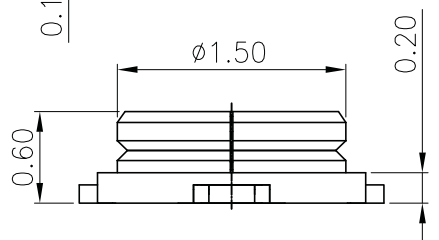
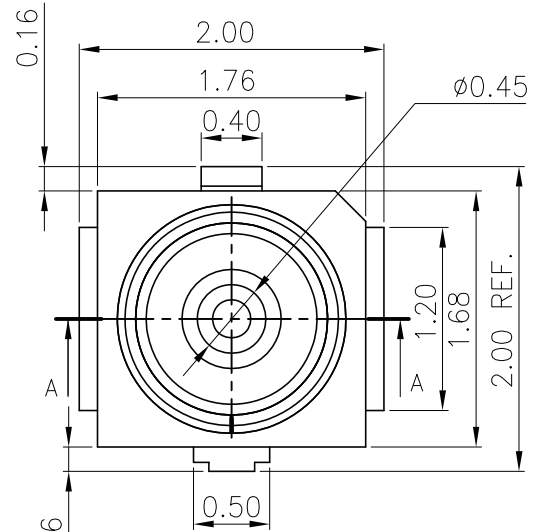


1 2 3 4 5 6 7 8

DCC ISSUE	Speedtech	REV	MODIFICATION	DATE	DRAW	APPROVE
	2014.10.30	L	EN1407019	07-JUL-14	AILIE	Y.J.
	DCC發行	M	EN1409030	10-SEP-14	AILIE	Y.J.
		N	EN1410045	16-OCT-14	YOUEI	Y.J.

© 2010/08/27 BY SPEED TECH CORP. ALL RIGHTS RESERVED. PRODUCTS ARE COVERED BY PATENTS AND/OR PATENTS PENDING.



DIMENSION IN mm [Inch]		PROD. SPEC.	Speedtech Corp.	
TOLERANCE UNLESS OTHERWISE SPECIFIED		SPEC0646		
.X± 0.20	X.*±	PKG. SPEC.	FILE NO.	DWG NO.
.XX± 0.15	.X.*±	AAA-C87-0101		C87-101-2
.XXX± 0.10	.XX.*±	TITLE		
MICRO CONNECTOR RECEPTACLE			CUSTOMER DRAWING	
APPROVE	CHECK	DRAW	PROJ.	SHEET 1 / 3
Y.J.	KEN	KEN	SCALE 20:1	SIZE A4
			REV	N

1 | 2 | 3 | 4 | 5 | 6 | 7 | 8

DCC ISSUE	Speedtech 2014.10.30 DCC 發行		REV	MODIFICATION	DATE	DRAW	APPROVE
	L		EN1407019		07-JUL-14	AILIE	Y.J.
	M		EN1409030		10-SEP-14	AILIE	Y.J.
	N		EN1410045		16-OCT-14	YOUEI	Y.J.


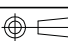
© 2010/08/27 BY SPEED TECH CORP. ALL RIGHTS RESERVED. PRODUCTS ARE COVERED BY PATENTS AND/OR PATENTS PENDING.

NOTES:

- 1. MATERIAL
 - 1-1. HOUSING: LCP, COLOR IN BLACK, UL94V-0 RATED.
 - 1-2. SIGNAL CONTACT: HIGH PERFORMANCE COPPER ALLOY.
 - 1-3. GROUND CONTACT: HIGH PERFORMANCE COPPER ALLOY.
- 2. FINISH
 - 2-1. SIGNAL CONTACT
 - 50μ" MIN. NICKEL UNDERPLATING ALL OVER.
 - GOLD PLATING SEE ORDER INFORMATION.
 - 2-2. GROUND CONTACT
 - 50μ" MIN. NICKEL UNDERPLATING ALL OVER.
 - GOLD PLATING SEE ORDER INFORMATION.
- 3. HALOGEN FREE
 - C87P101-0000XAH
 - CONTACT PLATING
 - 2: SIGNAL: GOLD 2μ" MIN. PLATING ALL OVER.
 - GROUND: GOLD FLASH PLATING ON SOLDER TAIL.
 - 3: SIGNAL: GOLD 2μ" MIN. PLATING ALL OVER.
 - GROUND: GOLD FLASH PLATING ALL OVER.
- 4. PACKING
 - T&R FOR COVER H.A.

註記:

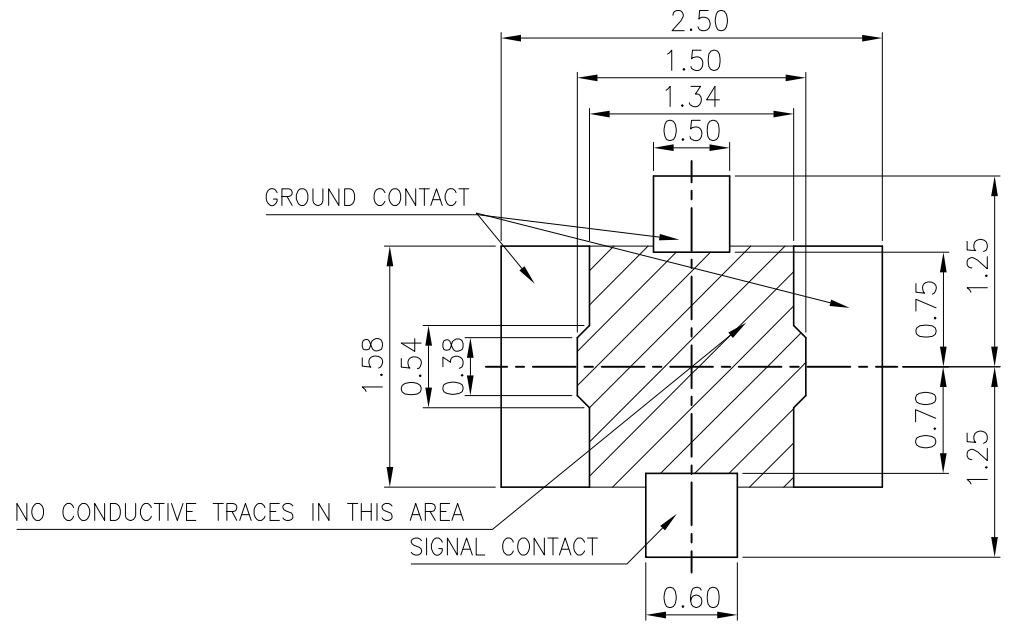
- 1. 材質:
 - 1-1. 塑膠本體: LCP, 顏色: 黑色, 防火等級 UL94V-0
 - 1-2. 訊號端: 高性能銅合金
 - 1-3. 接地端: 高性能銅合金
 - 2. 電鍍:
 - 2-1. 訊號端:
 - 底層電鍍全部最少50微英寸鍍
 - 鍍金參照訂單資訊
 - 2-2. 接地端:
 - 底層電鍍全部最少50微英寸鍍
 - 鍍金參照訂單資訊.
 - 3. 無鹵料號
 - C87P101-0000XAH
 - 端子電鍍
 - 2: 訊號端: 全部最少鍍金2
 - 接地端: 焊腳鍍薄金
 - 3: 訊號端: 全部最少鍍金2
 - 接地端: 全部鍍薄金
- 料帶包裝
上料帶為熱封

DIMENSION IN mm [Inch]		PROD. SPEC.	 Speedtech Corp.	
TOLERANCE UNLESS OTHERWISE SPECIFIED		SPEC0646		
.X± 0.20	X.*±	PKG. SPEC.	FILE NO.	DWG NO.
.XX± 0.15	.X.*±	AAA-C87-0101		C87-101-2
.XXX± 0.10	.XX.*±			
TITLE			CUSTOMER DRAWING	
MICRO CONNECTOR RECEPTACLE				
APPROVE	CHECK	DRAW	PROJ.	SHEET
Y.J.	KEN	KEN		2 / 3
SCALE		SIZE	REV	
20:1		A4	N	

1 2 3 4 5 6 7 8

DCC ISSUE	Speedtech 2014.10.30 DCC發行		REV	MODIFICATION	DATE	DRAW	APPROVE
	L	EN1407019	07-JUL-14	AILIE	Y.J.		
	M	EN1409030	10-SEP-14	AILIE	Y.J.		
	N	EN1410045	16-OCT-14	YOUEI	Y.J.		

© 2010/08/27 BY SPEED TECH CORP. ALL RIGHTS RESERVED. PRODUCTS ARE COVERED BY PATENTS AND/OR PATENTS PENDING.



△ RECOMMENDED PCB MOUNTING PATTERN
 THE MOUNTING PATTERN AND METAL MASK RATIO IS 1:1
 (MASK THICKNESS 0.10/0.12mm)

DIMENSION IN mm [Inch]		PROD. SPEC.	Speedtech Corp.	
TOLERANCE UNLESS OTHERWISE SPECIFIED		SPEC0646		
.X± 0.20	X.*±	PKG. SPEC.	FILE NO.	DWG NO.
.XX± 0.15	.X.*±	AAA-C87-0101		C87-101-2
.XXX± 0.10	.XX.*±	TITLE		
MICRO CONNECTOR RECEPTACLE			CUSTOMER DRAWING	
APPROVE	CHECK	DRAW	PROJ.	SHEET
Y.J.	KEN	KEN	SCALE 20:1	3 / 3
			SIZE	REV
			A4	N

单击下面可查看定价，库存，交付和生命周期等信息

[>>SpeedTech](#)