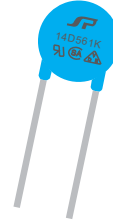


Varistor Type MYG

Features

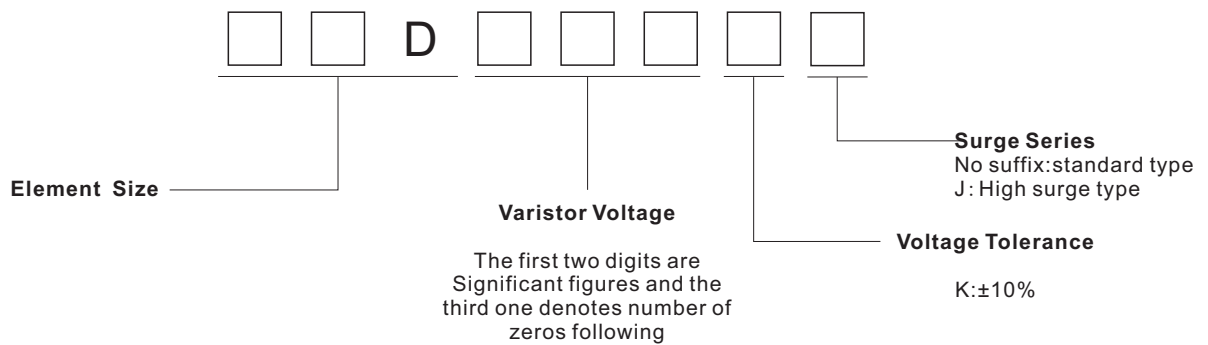
- Wide Varistor voltage range (18V ~ 1800V)
- Excellent non-linearity and protection level
- Large withstanding surge current
- Fast response ($\leq 20\text{ns}$)



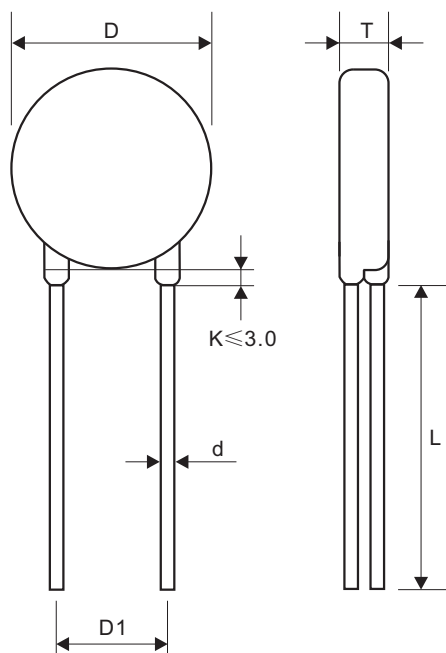
Applications

- Protection of semiconductors
- Surge protection of consumer equipment
- Surge protection of communication, measuring or controller instrument
- Relay or electromagnetic Valve surge absorption

Explanation of Part Numbers



Dimension



| Rang of voltage (V) | Dimensions(mm) | | | | |
|---------------------|----------------|----------|-------|-------------|--------------|
| | D max | T max | L min | d ± 0.1 | D1 ± 1.0 |
| 18-68 | 17.0 | 4.0-6.0 | 25 | 0.8 | 7.5 |
| 82-1800 | 16.5 | 4.4-15.2 | 25 | 0.8 | 7.5 |

Electrical Characteristics

| Part Number | | Maximum Allowable Voltage | | Max Peak Current (8/20 μ s)(A) | | Rated Power | Maximum Energy 10/1000 μ s (J) | | Varistor Voltage | Maximum Clamping Voltage | | Typical Capacitance (Reference) |
|-------------|------------|---------------------------|---------------------|------------------------------------|------------|-------------|------------------------------------|------------|----------------------|--------------------------|--------------------|---------------------------------|
| Standard | High Surge | V _{AC} (V) | V _{DC} (V) | Standard | High Surge | W | Standard | High Surge | V _{1mA} (V) | V _C (V) | I _P (A) | @1KHz(pF) |
| 14D182K | 14D182KJ | 1000 | 1465 | 4500 | 6000 | 0.5 | 354 | 510 | 1800(1620-1980) | 2970 | 50 | 100 |
| 14D112K | 14D112KJ | 680 | 895 | | | | 213 | 310 | 1100(990-1210) | 1815 | 50 | 150 |
| 14D102K | 14D102KJ | 625 | 825 | | | | 190 | 280 | 1000(900-1100) | 1650 | 50 | 150 |
| 14D911K | 14D911KJ | 550 | 745 | | | | 175 | 255 | 910(819-1001) | 1500 | 50 | 180 |
| 14D821K | 14D821KJ | 510 | 670 | | | | 157 | 230 | 820(738-902) | 1355 | 50 | 200 |
| 14D781K | 14D781KJ | 485 | 640 | | | | 150 | 210 | 780(702-858) | 1290 | 50 | 230 |
| 14D751K | 14D751KJ | 460 | 615 | | | | 143 | 210 | 750(675-825) | 1240 | 50 | 230 |
| 14D681K | 14D681KJ | 420 | 560 | | | | 130 | 190 | 680(612-748) | 1120 | 50 | 250 |
| 14D621K | 14D621KJ | 385 | 505 | | | | 125 | 190 | 620(558-682) | 1025 | 50 | 250 |
| 14D561K | 14D561KJ | 350 | 460 | | | | 125 | 190 | 560(504-616) | 925 | 50 | 300 |
| 14D511K | 14D511KJ | 320 | 415 | | | | 125 | 190 | 510(459-561) | 845 | 50 | 350 |
| 14D471K | 14D471KJ | 300 | 385 | | | | 125 | 175 | 470(423-517) | 775 | 50 | 400 |
| 14D431K | 14D431KJ | 275 | 350 | | | | 115 | 155 | 430(387-473) | 710 | 50 | 450 |
| 14D391K | 14D391KJ | 250 | 320 | | | | 100 | 140 | 390(351-429) | 650 | 50 | 500 |
| 14D361K | 14D361KJ | 230 | 300 | | | | 93 | 130 | 360(324-396) | 595 | 50 | 550 |
| 14D331K | 14D331KJ | 210 | 275 | | | | 85 | 115 | 330(297-363) | 550 | 50 | 650 |
| 14D301K | 14D301KJ | 190 | 250 | | | | 78 | 108 | 300(270-330) | 500 | 50 | 700 |
| 14D271K | 14D271KJ | 175 | 225 | | | | 70 | 99 | 270(243-297) | 455 | 50 | 750 |
| 14D241K | 14D241KJ | 150 | 200 | | | | 63 | 84 | 240(216-264) | 395 | 50 | 900 |
| 14D221K | 14D221KJ | 140 | 180 | | | | 60 | 78 | 220(198-242) | 360 | 50 | 1000 |
| 14D201K | 14D201KJ | 130 | 170 | | | | 57 | 70 | 200(180-220) | 340 | 50 | 1000 |
| 14D181K | 14D181KJ | 115 | 150 | | | | 52 | 62 | 180(162-198) | 300 | 50 | 1300 |
| 14D151K | 14D151KJ | 95 | 125 | | | | 40 | 53 | 150(135-165) | 250 | 50 | 1500 |
| 14D121K | 14D121KJ | 75 | 100 | | | | 32 | 42 | 120(108-132) | 200 | 50 | 1900 |
| 14D101K | 14D101KJ | 60 | 85 | | | | 28 | 35 | 100(90-110) | 165 | 50 | 2400 |
| 14D820K | 14D820KJ | 50 | 65 | | | | 22 | 28 | 82(74-90) | 135 | 50 | 2900 |
| 14D680K | 14D680KJ | 40 | 56 | 14 | 20 | 68(61-75) | 135 | 10 | 3300 | | | |
| 14D560K | 14D560KJ | 35 | 45 | 11 | 16 | 56(50-62) | 110 | 10 | 4400 | | | |
| 14D470K | 14D470KJ | 30 | 38 | 10 | 14 | 47(42-52) | 93 | 10 | 5200 | | | |
| 14D390K | 14D390KJ | 25 | 31 | 8.6 | 11 | 39(35-43) | 77 | 10 | 6400 | | | |
| 14D330K | 14D330KJ | 20 | 26 | 7.5 | 9.5 | 33(30-36) | 65 | 10 | 7200 | | | |
| 14D270K | 14D270KJ | 17 | 22 | 6.0 | 7.8 | 27(24-30) | 53 | 10 | 9500 | | | |
| 14D220K | 14D220KJ | 14 | 18 | 5.0 | 6.3 | 22(20-24) | 43 | 10 | 14000 | | | |
| 14D180K | 14D180KJ | 11 | 14 | 4.0 | 5.2 | 18(15-21) | 36 | 10 | 17000 | | | |

Note: 1. Operating Temperature Range: -40 $^{\circ}$ C ~ +85 $^{\circ}$ C
 Storage Temperature Range: -40 $^{\circ}$ C ~ +125 $^{\circ}$ C

单击下面可查看定价，库存，交付和生命周期等信息

[>>SPSEMI](#)