

Surface Mount Auto Surge Suppressor

Working Peak Reverse Voltage - 22 to 36 Volts

8000 Watt Peak Pulse Power

Features

- Glass passivated chip
- 8000 W peak pulse power capability with a 10/1000 μ s waveform, repetitive rate (duty cycle): 0.01 %
- Meet AEC-Q101 requirement
- Low leakage
- Excellent clamping capability
- Very fast response time
- RoHS compliant

Mechanical Data

- Plastic package DO-218AB/SOD-BLOCK
- Epoxy: UL 94V-0 rate flame retardant
- Polarity: Heatsink is anode

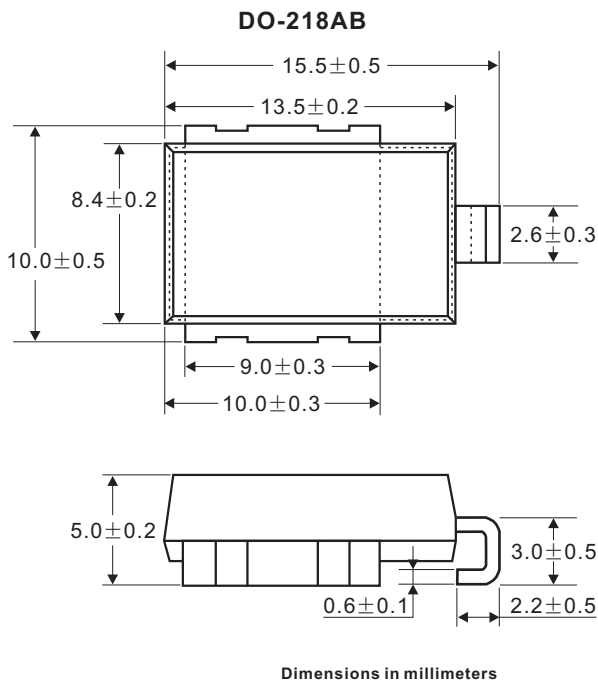
Maximum Ratings ($T_A=25^{\circ}\text{C}$ unless otherwise noted)

RATING	SYMBOL	VALUE	UNITS
Peak power dissipation with a 10/1000 μ s waveform (Note 1)	P_{PP}	8000	Watts
Peak pulse current with a 10/1000 μ s waveform (Note 1)	I_{PP}	SEE TABLE 1	Amps
Power dissipation on infinite heatsink at $T_L = 25^{\circ}\text{C}$	P_D	5.0	Watts
Peak Forward Surge Current, 8.3ms Single Half Sine-Wave	I_{FSM}	500	Amps
Operating junction and storage temperature range	T_J, T_{STG}	-55 to +175	$^{\circ}\text{C}$

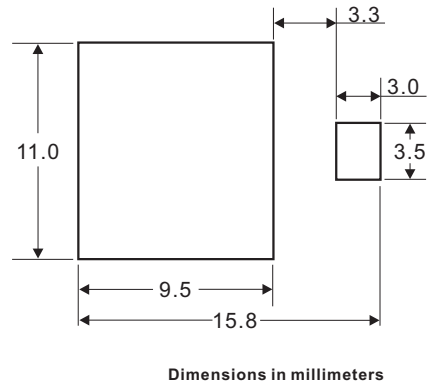
Notes :

1. Non-repetitive current pulse, per Fig. 2 and derated above $T_A = 25^{\circ}\text{C}$ per Fig. 1.

Dimensions (DO-218AB)



Recommended Mounting Pad Layout



Electrical Characteristics

TABLE 1

***Stand for commonly used models

ASB Part Number		Working Peak Reverse Voltage	Breakdown Voltage $V_{BR}@I_T$			Max. Reverse Leakage $I_R @V_{RWM}$	Max. $I_R @V_{RWM}$ $T_J=175^\circ C$	Max. Clamping Voltage V_c $@I_{pp} 10/1000\mu s$	
UNI-Polar	BI-Polar	$V_{RWM} (V)$	$V_{BR}(V)Min.$	$V_{BR}(V)Max.$	$I_T(mA)$	$I_R(\mu A)$	$I_R(\mu A)$	$V_c(V)$	$I_{pp}(A)$
* ASB22A	ASB22CA	22	24.4	26.9	5	10	150	35.5	225.4
* ASB26A	ASB26CA	26	28.9	31.9	5	10	150	42.1	190.0
ASB33A	ASB33CA	33	36.7	40.6	5	10	150	53.3	150.1
ASB36A	ASB36CA	36	40.0	44.2	5	10	150	58.1	137.7

IEC Compatibility

ISO16750-2 Test A Test Waveform								
ASB Part Number		12V system	24V system	Resistance				
		100V@400ms	174V@350ms	0.5Ω	1Ω	2Ω	4Ω	8Ω
ASB22A	ASB22CA	√	-	?	√	√	√	√
ASB26A	ASB26CA	√	-	?	√	√	√	√
ASB33A	ASB33CA	-	√	-	×	?	√	√
ASB36A	ASB36CA	-	√	-	×	?	√	√

Notes :

- ? :The test results would be different depending on the specific circuit parameters or test environment
- x :Failed

Ratings and Characteristic Curves (TA=25 °C unless otherwise noted)

Fig.1 Power Derating Curve

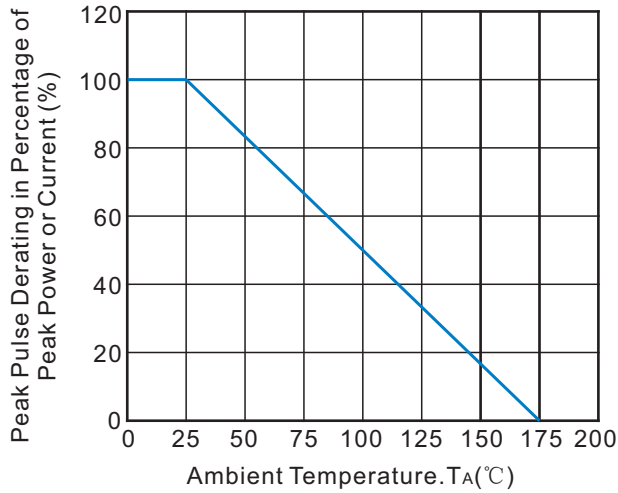


Fig.2 Pulse Waveform

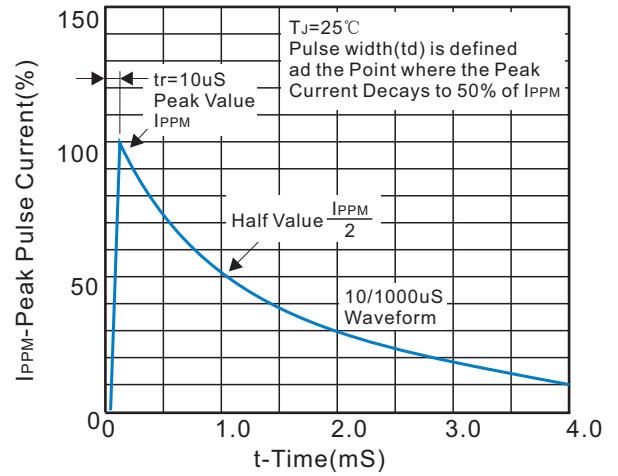


Fig.3 Steady State Power Derating Curve

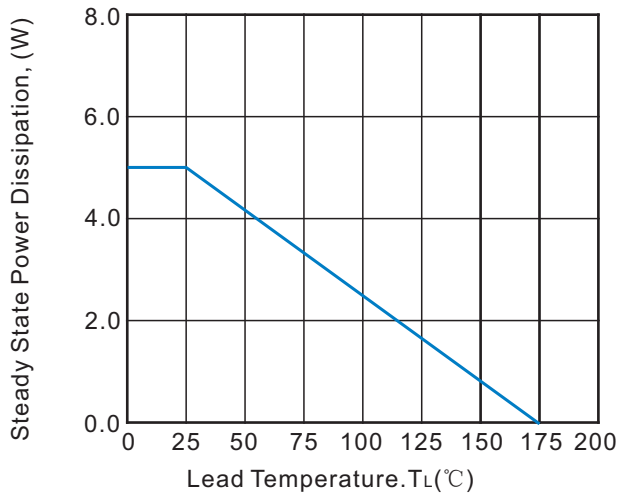


Fig.4 Peak Pulse Power Rating Cure

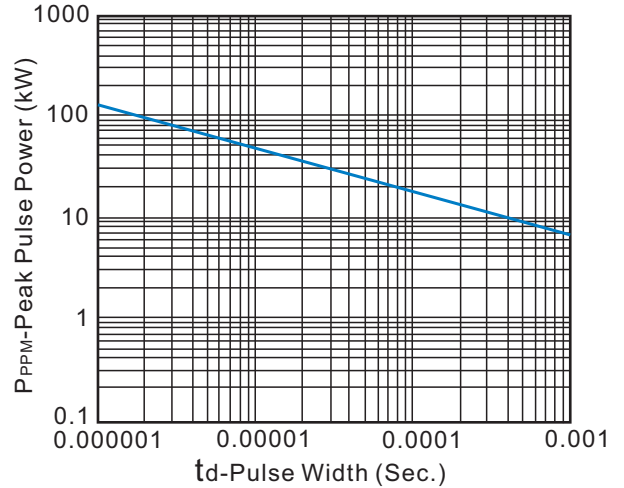


Fig.5 Ri-Vs chart for ISO-16750-2 Test A : 12V System

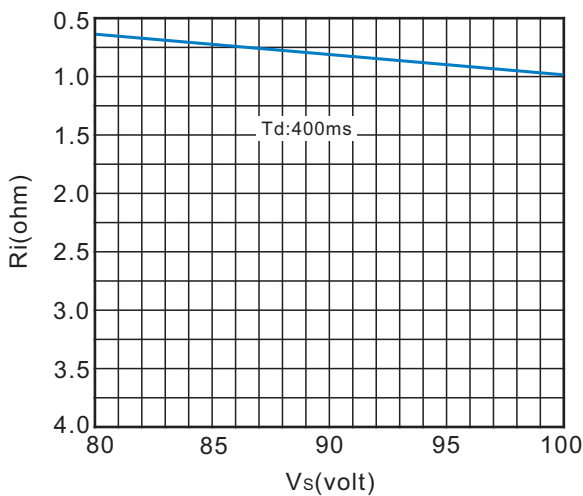
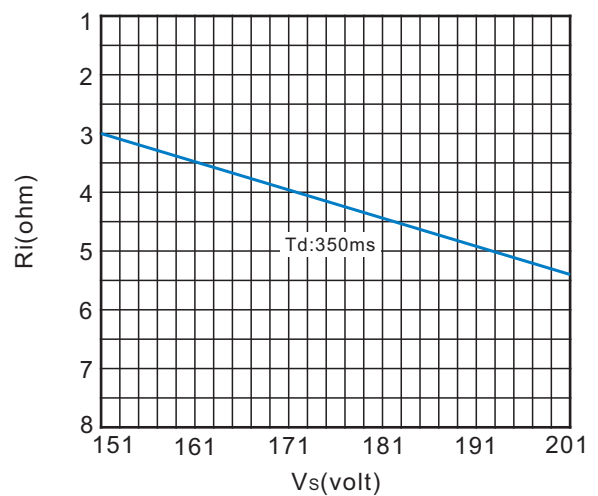


Fig.6 Ri-Vs chart for ISO-16750-2 Test A : 24V System

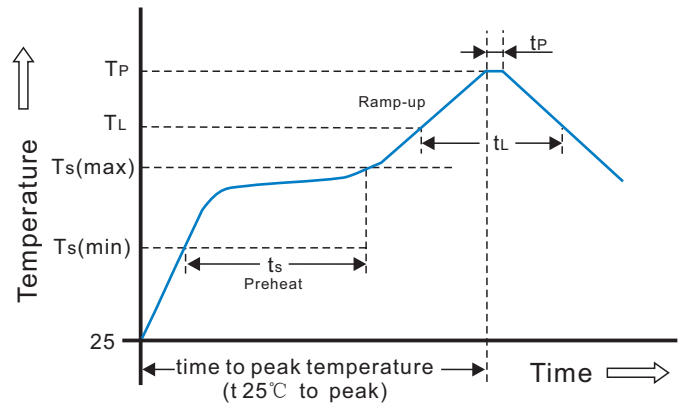


Recommended Soldering Conditions

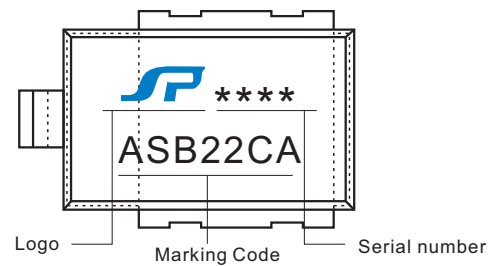
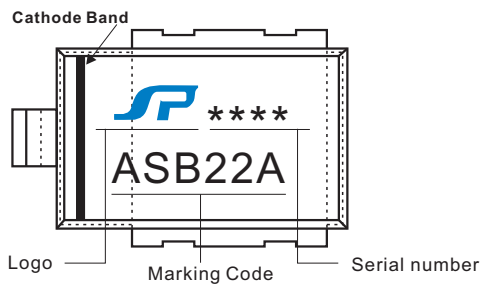
Recommended Conditions

IR Reflow Condition		
Pre Heat	Temperature Min($T_{s(min)}$)	150°C
	Temperature Max($T_{s(max)}$)	200°C
	Time(Min to Max)(t_s)	60-180secs
Ramp up rate(150-200°C)		3°C/sec.Max.
Reflow	Temperature(T_L)(Liquidus)	220°C. Min.
	Temperature(t_L)	60-150secs
	Peak Temp(T_P)	245°C
Ramp up rate(220-200°C)		3°C/sec.Max.
Time within actual Peak Temp(t_p)		10-30 secs
Ramp-down Rate		3°C/sec.Max.
Time 25°C to Peak Temp(T_P)		6 min.Max.
Do not exceed		245°C

Reflow Soldering

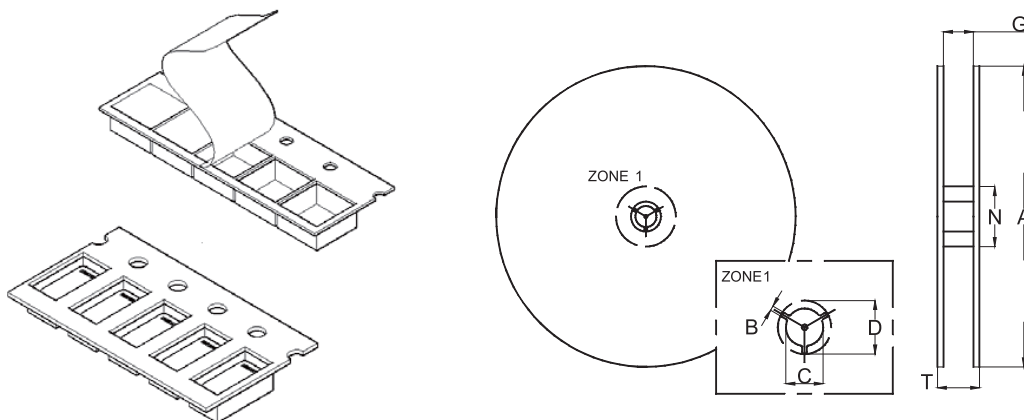


Marking Code



Tape And Reel Specification

Symbol	Ea Per Reel	REEL DIA (mm)	Industry Standard
ASB***	750	330	EIA RS-481



Tape Size	A Max.	B Min.	C	D Min.	N Min.	G Max.	T Max.
24(0.945)	330±2.0 (13.0±0.079)	1.5(0.059)	13.0±0.50 (0.51±0.002)	20.2(0.795)	50(1.97)	26.4(1.039)	30.4(1.197)

单击下面可查看定价，库存，交付和生命周期等信息

[>>SPSEMI](#)