

Varistor Type MYG

Features

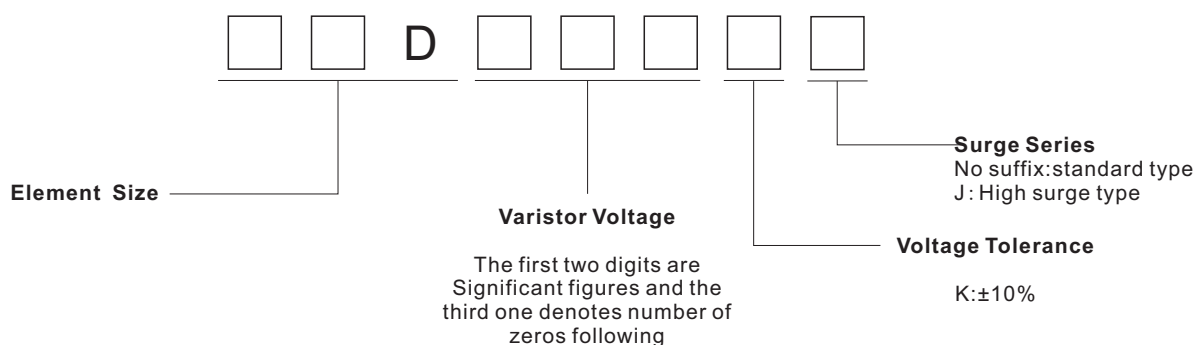
- Wide Varistor voltage range (18V ~ 1800V)
- Excellent non-linearity and protection level
- Large withstanding surge current
- Fast response ($\leq 20\text{ns}$)



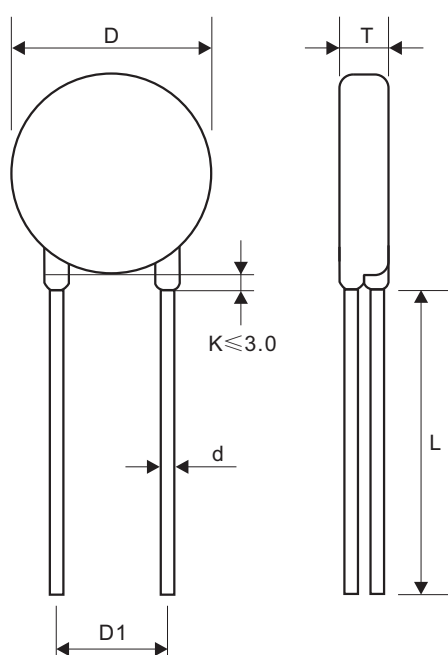
Applications

- Protection of semiconductors
- Surge protection of consumer equipment
- Surge protection of communication, measuring or controller instrument
- Relay or electromagnetic Valve surge absorption

Explanation of Part Numbers



Dimension



Range of voltage (V)	Dimensions (mm)				
	D max	T max	L min	d ± 0.1	D1 ± 1.0
18-68	23.0	TABLE 2	20	1.0	10.0
82-1800	23.5	TABLE 2	20	1.0	10.0

Packaging Quantity: 200pcs/bag

TABLE 2---T(max.)

Model	Millimeters	Inches	Model	Millimeters	Inches
180K~390K	8.5	0.335	431K~561K	11.0	0.433
470K~680K	9.0	0.354	621K~781K	11.5	0.453
820K~151K	9.5	0.374	821K~122K	12.0	0.472
181K~271K	10.0	0.394	152K	12.5	0.492
331K~391K	10.5	0.413	182K	13.0	0.512

Electrical Characteristics

Part Number		Maximum Allowable Voltage		Max Peak Current (8/20 μ s)(A)		Rated Power	Maximum Energy 10/1000 μ s (J)		Varistor Voltage	Maximum Clamping Voltage		Typical Capacitance (Reference)
Standard	High Surge	V _{AC} (V)	V _{DC} (V)	Standard	High Surge	W	Standard	High Surge	V _{1mA} (V)	V _C (V)	I _P (A)	@1KHz(pF)
20D182K	20D182KJ	1000	1465	6500	10000	1.0	620	1020	1800(1620 ~ 1980)	2970	100	200
20D112K	20D112KJ	680	895				383	620	1100(990 ~ 1210)	1815	100	300
20D102K	20D102KJ	625	825				342	565	1000(900 ~ 1100)	1650	100	320
20D911K	20D911KJ	550	745				310	510	910(819 ~ 1001)	1500	100	350
20D821K	20D821KJ	510	670				282	460	820(738 ~ 902)	1355	100	400
20D781K	20D781KJ	485	640				265	420	780(702 ~ 858)	1290	100	420
20D751K	20D751KJ	460	615				255	420	750(675 ~ 825)	1240	100	420
20D681K	20D681KJ	420	560				230	382	680(612 ~ 748)	1120	100	460
20D621K	20D621KJ	385	505				220	382	620(558 ~ 682)	1025	100	500
20D561K	20D561KJ	350	455				220	382	560(504 ~ 616)	925	100	700
20D511K	20D511KJ	320	415				220	382	510(459 ~ 561)	845	100	800
20D471K	20D471KJ	300	385				220	350	470(423 ~ 517)	775	100	900
20D431K	20D431KJ	275	350				190	303	430(387 ~ 473)	710	100	900
20D391K	20D391KJ	250	320				180	275	390(351 ~ 429)	650	100	1000
20D361K	20D361KJ	230	300				163	255	360(324 ~ 396)	595	100	1200
20D331K	20D331KJ	210	275				150	228	330(297 ~ 363)	550	100	1400
20D301K	20D301KJ	195	250				136	210	300(270 ~ 330)	500	100	1500
20D271K	20D271KJ	175	225				127	190	270(243 ~ 297)	455	100	1600
20D241K	20D241KJ	150	200				108	168	240(216 ~ 264)	395	100	1800
20D221K	20D221KJ	140	180				100	155	220(198 ~ 242)	360	100	2000
20D201K	20D201KJ	130	170				95	140	200(180 ~ 220)	340	100	2000
20D181K	20D181KJ	115	150				84	120	180(162 ~ 198)	300	100	2500
20D151K	20D151KJ	95	125				70	106	150(135 ~ 165)	250	100	3000
20D121K	20D121KJ	75	100				55	85	120(108 ~ 132)	200	100	3800
20D101K	20D101KJ	60	85	51	70	100(90 ~ 110)	165	100	4700			
20D820K	20D820KJ	50	65	48	56	82(74 ~ 90)	135	100	5500			
20D680K	20D680KJ	40	56	46	49	68(61 ~ 75)	135	20	7000			
20D560K	20D560KJ	35	45	41	41	56(50 ~ 62)	110	20	10500			
20D470K	20D470KJ	30	38	33	34	47(42 ~ 52)	93	20	12500			
20D390K	20D390KJ	25	31	26	28	39(35 ~ 43)	77	20	14000			
20D330K	20D330KJ	20	26	23	24	33(30 ~ 36)	65	20	16000			
20D270K	20D270KJ	17	22	18	19	27(24 ~ 30)	53	20	21000			
20D220K	20D220KJ	14	18	14	16	22(20 ~ 24)	43	20	29000			
20D180K	20D180KJ	11	14	11	13	18(15 ~ 21)	36	20	35000			

Note: 1. Operating Temperature Range: -40 $^{\circ}$ C ~ +85 $^{\circ}$ C
 Storage Temperature Range: -40 $^{\circ}$ C ~ +125 $^{\circ}$ C

单击下面可查看定价，库存，交付和生命周期等信息

[>>SPSEMI](#)