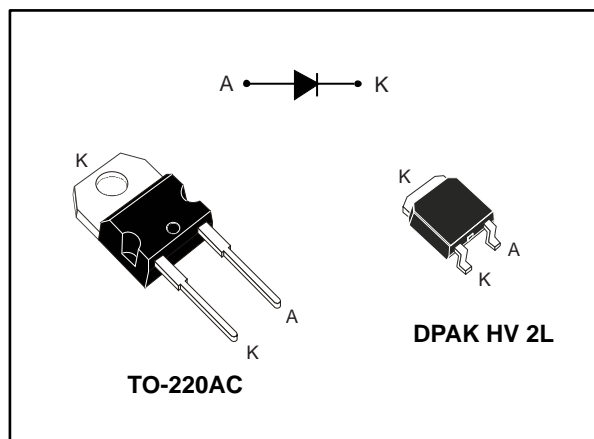


## 1200 V power Schottky silicon carbide diode

Datasheet - production data



### Description

The SiC diode, available in TO-220AC and DPAK HV, is an ultrahigh performance power Schottky rectifier. It is manufactured using a silicon carbide substrate. The wide band-gap material allows the design of a low  $V_F$  Schottky diode structure with a 1200 V rating. Due to the Schottky construction, no recovery is shown at turn-off and ringing patterns are negligible. The minimal capacitive turn-off behavior is independent of temperature.

Especially suited for use in PFC and secondary side applications, this ST SiC diode will boost the performance in hard switching conditions. This rectifier will enhance the performance of the targeted application. Its high forward surge capability ensures a good robustness during transient phases.

### Features

- No or negligible reverse recovery
- Switching behavior independent of temperature
- Robust high voltage periphery
- Operating  $T_j$  from  $-40\text{ }^\circ\text{C}$  to  $175\text{ }^\circ\text{C}$
- Low  $V_F$
- ECOPACK<sup>®</sup>2 compliant

Table 1: Device summary

| Symbol             | Value                |
|--------------------|----------------------|
| $I_{F(AV)}$        | 2 A                  |
| $V_{RRM}$          | 1200 V               |
| $T_j(\text{max.})$ | 175 $^\circ\text{C}$ |
| $V_F(\text{typ.})$ | 1.35 V               |

# 1 Characteristics

**Table 2: Absolute ratings (limiting values at 25 °C, unless otherwise specified)**

| Symbol              | Parameter  |  | Value                   | Unit |   |
|---------------------|--|--|-------------------------|------|---|
| V <sub>RRM</sub>    | Repetitive peak reverse voltage (T <sub>j</sub> = -40 °C to +175 °C) |  | 1200                    | V    |   |
| I <sub>F(RMS)</sub> | Forward rms current  |  | 10                      | A    |   |
| I <sub>F(AV)</sub>  | Average forward current  | T <sub>C</sub> = 160 °C, DC current<br>T <sub>C</sub> = 120 °C, DC current | 2<br>5                  | A    |   |
| I <sub>FRM</sub>    | Repetitive peak forward current                                      | T <sub>C</sub> = 160 °C, T <sub>j</sub> = 175 °C, δ = 0.1                  | 9                       | A    |   |
| I <sub>FSM</sub>    | Surge non repetitive forward current                                 | t <sub>p</sub> = 10 ms sinusoidal  | T <sub>C</sub> = 25 °C  | 15   | A |
|                     |  |  | T <sub>C</sub> = 150 °C | 13   |   |
|                     |  | t <sub>p</sub> = 10 μs square  | T <sub>C</sub> = 25 °C  | 105  |   |
| T <sub>stg</sub>    | Storage temperature range  |  | -65 to +175             | °C   |   |
| T <sub>j</sub>      | Operating junction temperature range                                 |  | -40 to +175             | °C   |   |

**Table 3: Thermal parameters**

| Symbol               | Parameter        | Typ. | Max. | Unit |
|----------------------|------------------|------|------|------|
| R <sub>th(j-c)</sub> | Junction to case | 1.9  | 2.7  | °C/W |

**Table 4: Static electrical characteristics**

| Symbol                        | Parameter               | Test conditions         |                                   | Min. | Typ. | Max. | Unit |
|-------------------------------|-------------------------|-------------------------|-----------------------------------|------|------|------|------|
| I <sub>R</sub> <sup>(1)</sup> | Reverse leakage current | T <sub>j</sub> = 25 °C  | V <sub>R</sub> = V <sub>RRM</sub> | -    | 1    | 12   | μA   |
|                               |                         | T <sub>j</sub> = 150 °C |                                   | -    | 6    | 80   |      |
| V <sub>F</sub> <sup>(2)</sup> | Forward voltage drop    | T <sub>j</sub> = 25 °C  | I <sub>F</sub> = 2 A              | -    | 1.35 | 1.50 | V    |
|                               |                         | T <sub>j</sub> = 150 °C |                                   | -    | 1.75 | 2.25 |      |

**Notes:**

(1)Pulse test: t<sub>p</sub> = 10 ms, δ < 2%

(2)Pulse test: t<sub>p</sub> = 500 μs, δ < 2%

To evaluate the maximum conduction losses, use the following equation:

$$P = 1.12 \times I_{F(AV)} + 0.565 \times I_{F(RMS)}^2$$

**Table 5: Dynamic electrical characteristics**

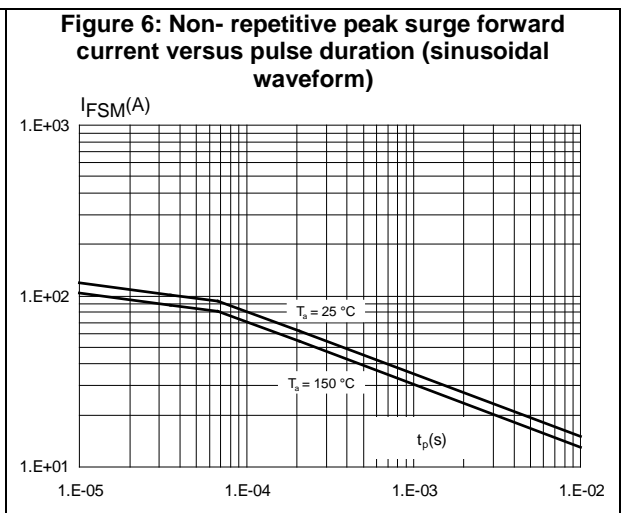
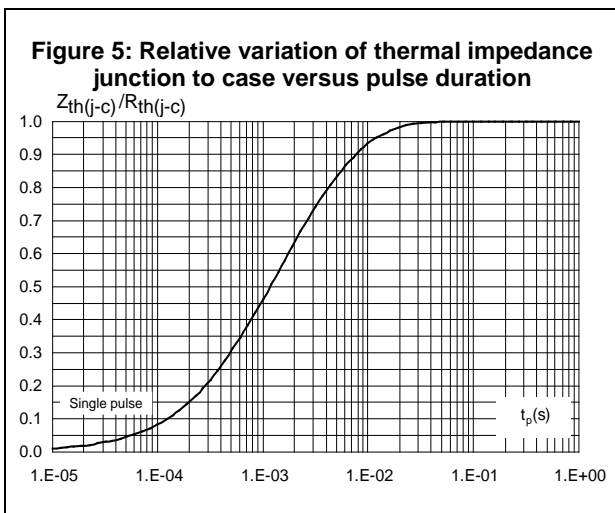
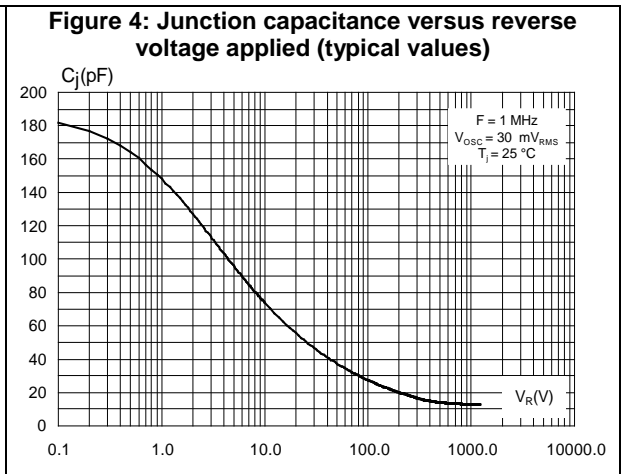
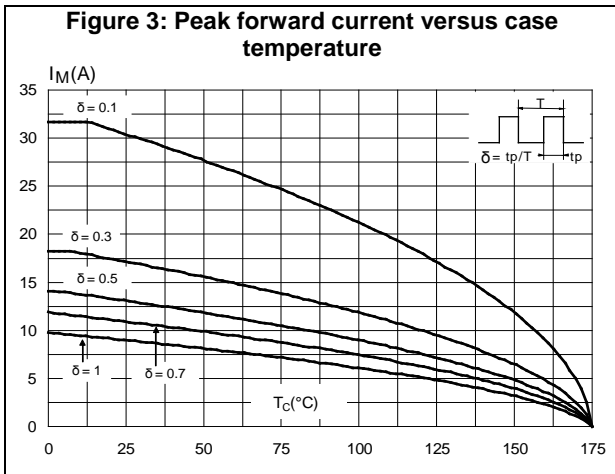
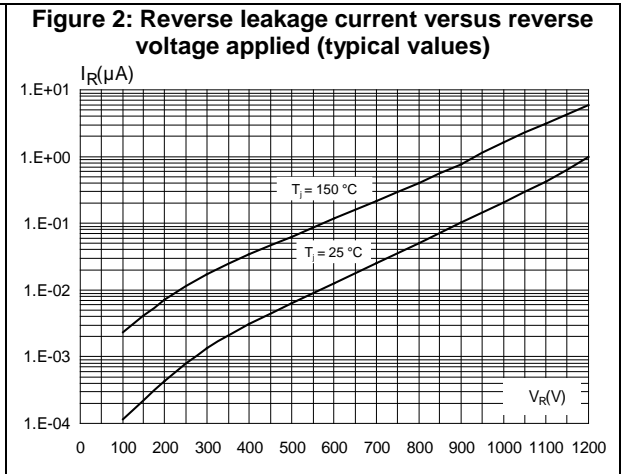
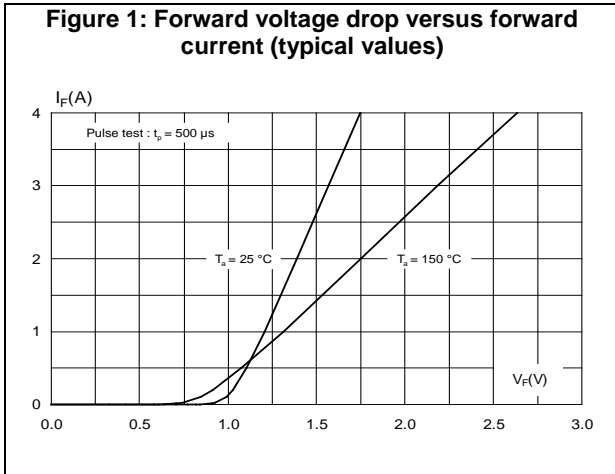
| Symbol                         | Parameter               | Test conditions   | Min. | Typ. | Max. | Unit |
|--------------------------------|-------------------------|---|------|------|------|------|
| Q <sub>Cj</sub> <sup>(1)</sup> | Total capacitive charge | V <sub>R</sub> = 800 V                                    | -    | 15.6 | -    | nC   |
| C <sub>j</sub>                 | Total capacitance       | V <sub>R</sub> = 0 V, T <sub>C</sub> = 25 °C, F = 1 MHz   | -    | 190  | -    | pF   |
|                                |                         | V <sub>R</sub> = 800 V, T <sub>C</sub> = 25 °C, F = 1 MHz | -    | 13   | -    |      |

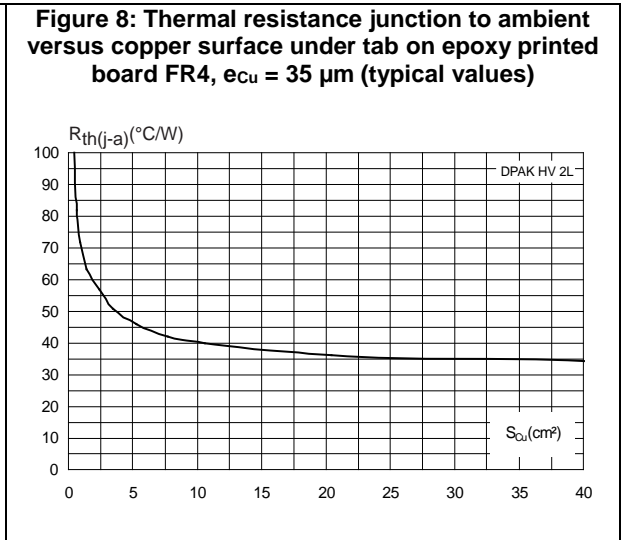
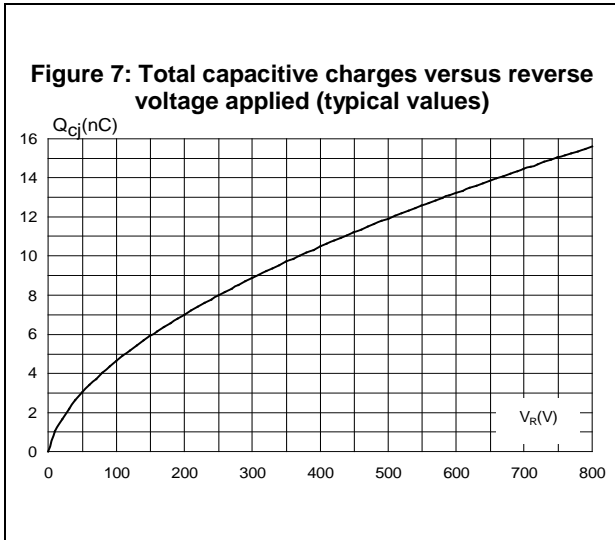
**Notes:**

(1)Most accurate value for the capacitive charge:  $Q_{Cj}(V_R) = \int_0^{V_R} C_j(V)dV$



# 1.1 Characteristics (curves)





## 2 Package information

In order to meet environmental requirements, ST offers these devices in different grades of ECOPACK® packages, depending on their level of environmental compliance. ECOPACK® specifications, grade definitions and product status are available at: [www.st.com](http://www.st.com). ECOPACK® is an ST trademark.

- Epoxy meets UL94, V0
- Cooling method: by conduction (C)
- Recommended torque value: 0.55 N·m
- Maximum torque value: 0.7 N·m

### 2.1 TO-220AC rectifier package information

Figure 9: TO-220AC package outline

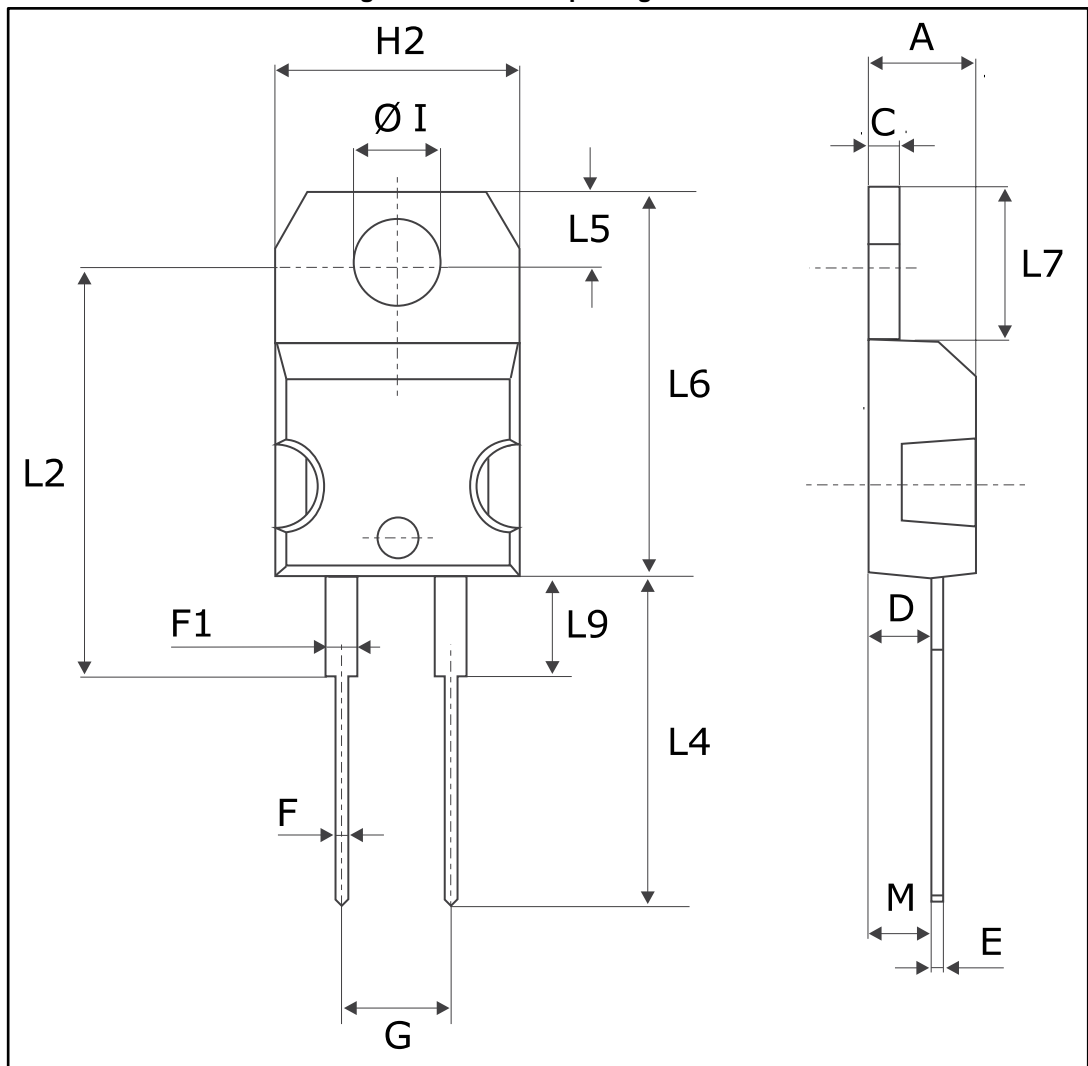


Table 6: TO-220AC package mechanical data

| Ref. | Dimensions  |       |            |       |
|------|-------------|-------|------------|-------|
|      | Millimeters |       | Inches     |       |
|      | Min.        | Max.  | Min.       | Max.  |
| A    | 4.40        | 4.60  | 0.173      | 0.181 |
| C    | 1.23        | 1.32  | 0.048      | 0.051 |
| D    | 2.40        | 2.72  | 0.094      | 0.107 |
| E    | 0.49        | 0.70  | 0.019      | 0.027 |
| F    | 0.61        | 0.88  | 0.024      | 0.034 |
| F1   | 1.14        | 1.70  | 0.044      | 0.066 |
| G    | 4.95        | 5.15  | 0.194      | 0.202 |
| H2   | 10.00       | 10.40 | 0.393      | 0.409 |
| L2   | 16.40 typ.  |       | 0.645 typ. |       |
| L4   | 13.00       | 14.00 | 0.511      | 0.551 |
| L5   | 2.65        | 2.95  | 0.104      | 0.116 |
| L6   | 15.25       | 15.75 | 0.600      | 0.620 |
| L7   | 6.20        | 6.60  | 0.244      | 0.259 |
| L9   | 3.50        | 3.93  | 0.137      | 0.154 |
| M    | 2.6 typ.    |       | 0.102 typ. |       |
| Diam | 3.75        | 3.85  | 0.147      | 0.151 |

## 2.2 DPAK HV 2L package information

Figure 10: DPAK HV 2L package outline

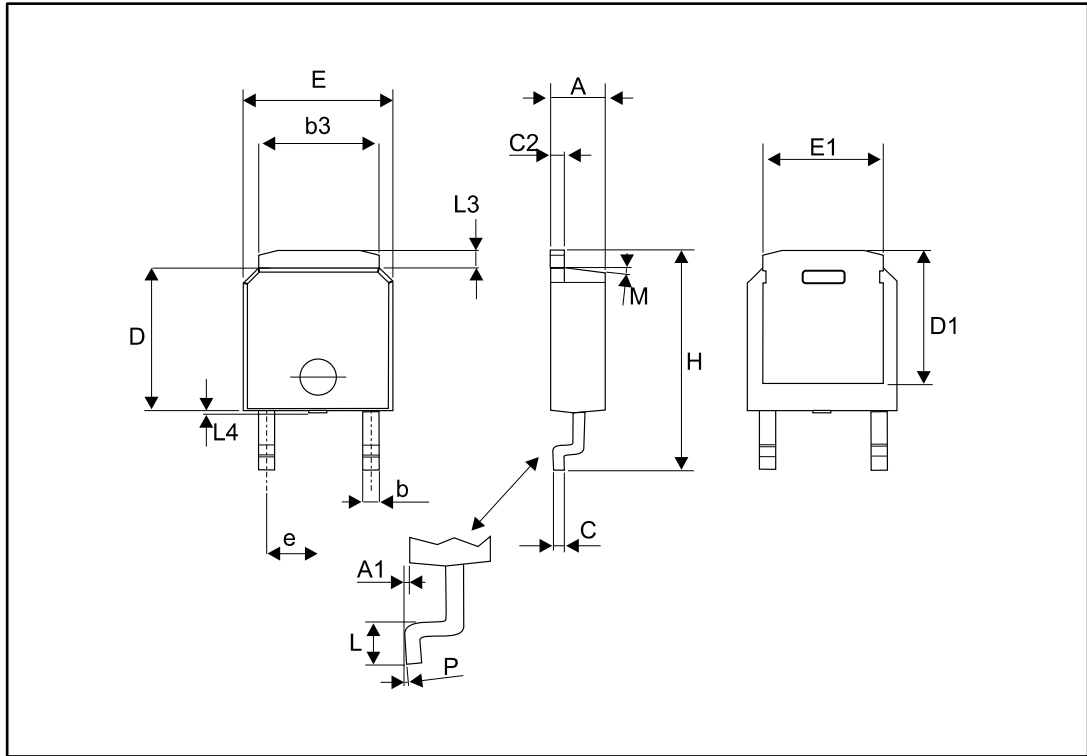


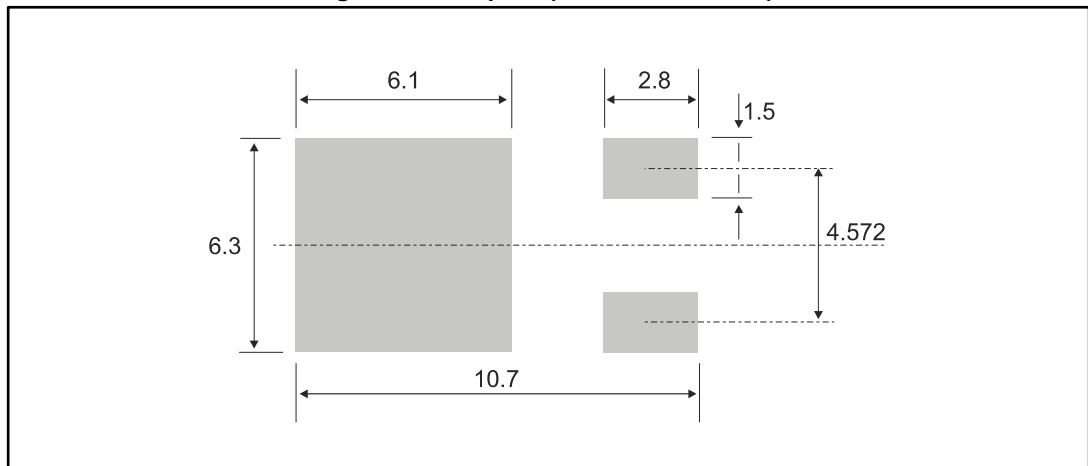
Table 7: DPAK HV 2L package mechanical data

| Ref.              | Dimensions  |      |       |           |       |       |
|-------------------|-------------|------|-------|-----------|-------|-------|
|                   | Millimeters |      |       | Inches    |       |       |
|                   | Min.        | Typ. | Max.  | Min.      | Typ.  | Max.  |
| A                 | 2.16        | 2.29 | 2.40  | 0.085     | 0.090 | 0.094 |
| A1                | 0.06        | 0.08 | 0.13  | 0.002     | 0.003 | 0.005 |
| b                 | 0.71        | 0.76 | 1.07  | 0.028     | 0.029 | 0.030 |
| b3                | 5.004       | 5.10 | 5.21  | 0.197     | 0.201 | 0.205 |
| c                 | 0.46        | 0.51 | 0.56  | 0.018     | 0.020 | 0.025 |
| c2                | 0.76        | 0.81 | 0.86  | 0.029     | 0.032 | 0.034 |
| D                 | 5.97        | 6.10 | 6.22  | 0.235     | 0.240 | 0.245 |
| D1                | 5.84 REF    |      |       | 0.230 REF |       |       |
| E                 | 6.48        | 6.60 | 6.73  | 0.255     | 0.260 | 0.265 |
| E1                | 4.95        | 5.08 | 5.21  | 0.195     | 0.200 | 0.205 |
| e                 | 2.29 REF    |      |       | 0.90 REF  |       |       |
| H                 | 9.70        | 9.83 | 10.08 | 0.382     | 0.387 | 0.397 |
| L                 | 1.02        | 1.14 | 1.40  | 0.040     | 0.045 | 0.055 |
| L3                |             |      | 1.14  |           |       | 0.045 |
| L4 <sup>(1)</sup> | 0.000       |      | 0.15  | 0.000     |       | 0.006 |
| M                 |             | 7°   |       |           | 7°    |       |
| P                 |             |      | 5°    |           |       | 5°    |

Notes:

<sup>(1)</sup>Maximum plastic protrusion

Figure 11: Footprint (dimensions in mm)





### 3 Ordering information

Table 8: Ordering information

| Order code     | Marking    | Package    | Weight  | Base qty. | Delivery mode |
|----------------|------------|------------|---------|-----------|---------------|
| STPSC2H12D     | STPSC2H12D | TO-220AC   | 1.86 g  | 50        | Tube          |
| STPSC2H12B-TR1 | STPSC 2H12 | DPAK HV 2L | 0.368 g | 2500      | Tape and reel |

### 4 Revision history

Table 9: Document revision history

| Date        | Revision | Changes          |
|-------------|----------|------------------|
| 24-Jan-2017 | 1        | Initial release. |

**IMPORTANT NOTICE – PLEASE READ CAREFULLY**

STMicroelectronics NV and its subsidiaries ("ST") reserve the right to make changes, corrections, enhancements, modifications, and improvements to ST products and/or to this document at any time without notice. Purchasers should obtain the latest relevant information on ST products before placing orders. ST products are sold pursuant to ST's terms and conditions of sale in place at the time of order acknowledgement.

Purchasers are solely responsible for the choice, selection, and use of ST products and ST assumes no liability for application assistance or the design of Purchasers' products.

No license, express or implied, to any intellectual property right is granted by ST herein.

Resale of ST products with provisions different from the information set forth herein shall void any warranty granted by ST for such product.

ST and the ST logo are trademarks of ST. All other product or service names are the property of their respective owners.

Information in this document supersedes and replaces information previously supplied in any prior versions of this document.

© 2017 STMicroelectronics – All rights reserved

单击下面可查看定价，库存，交付和生命周期等信息

[>>STMicro\(意法半导体\)](#)