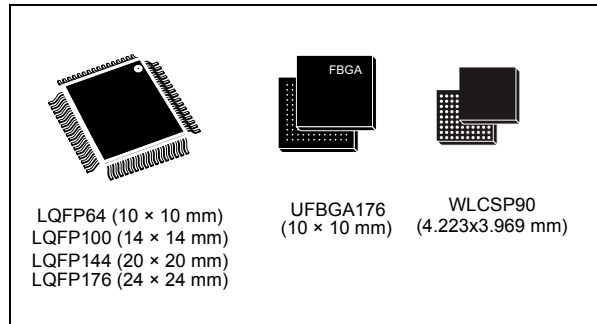


Arm[®] Cortex[®]-M4 32b MCU+FPU, 210DMIPS, up to 1MB Flash/192+4KB RAM, crypto, USB OTG HS/FS, Ethernet, 17 TIMs, 3 ADCs, 15 comm. interfaces & camera

Datasheet - production data

Features

- Core: Arm[®] 32-bit Cortex[®]-M4 CPU with FPU, Adaptive real-time accelerator (ART Accelerator) allowing 0-wait state execution from Flash memory, frequency up to 168 MHz, memory protection unit, 210 DMIPS/1.25 DMIPS/MHz (Dhrystone 2.1), and DSP instructions
- Memories
 - Up to 1 Mbyte of Flash memory
 - Up to 192+4 Kbytes of SRAM including 64-Kbyte of CCM (core coupled memory) data RAM
 - 512 bytes of OTP memory
 - Flexible static memory controller supporting Compact Flash, SRAM, PSRAM, NOR and NAND memories
- LCD parallel interface, 8080/6800 modes
- Clock, reset and supply management
 - 1.8 V to 3.6 V application supply and I/Os
 - POR, PDR, PVD and BOR
 - 4-to-26 MHz crystal oscillator
 - Internal 16 MHz factory-trimmed RC (1% accuracy)
 - 32 kHz oscillator for RTC with calibration
 - Internal 32 kHz RC with calibration
- Low-power operation
 - Sleep, Stop and Standby modes
 - V_{BAT} supply for RTC, 20×32 bit backup registers + optional 4 KB backup SRAM
- 3×12-bit, 2.4 MSPS A/D converters: up to 24 channels and 7.2 MSPS in triple interleaved mode
- 2×12-bit D/A converters
- General-purpose DMA: 16-stream DMA controller with FIFOs and burst support
- Up to 17 timers: up to twelve 16-bit and two 32-bit timers up to 168 MHz, each with up to 4 IC/OC/PWM or pulse counter and quadrature (incremental) encoder input
- Debug mode
 - Serial wire debug (SWD) & JTAG interfaces
 - Cortex-M4 Embedded Trace Macrocell™
- Up to 140 I/O ports with interrupt capability
 - Up to 136 fast I/Os up to 84 MHz
 - Up to 138 5 V-tolerant I/Os
- Up to 15 communication interfaces
 - Up to 3 × I²C interfaces (SMBus/PMBus)
 - Up to 4 USARTs/2 UARTs (10.5 Mbit/s, ISO 7816 interface, LIN, IrDA, modem control)
 - Up to 3 SPIs (42 Mbits/s), 2 with muxed full-duplex I²S to achieve audio class accuracy via internal audio PLL or external clock
 - 2 × CAN interfaces (2.0B Active)
 - SDIO interface
- Advanced connectivity
 - USB 2.0 full-speed device/host/OTG controller with on-chip PHY
 - USB 2.0 high-speed/full-speed device/host/OTG controller with dedicated DMA, on-chip full-speed PHY and ULPI
 - 10/100 Ethernet MAC with dedicated DMA: supports IEEE 1588v2 hardware, MII/RMII



- 8- to 14-bit parallel camera interface up to 54 Mbytes/s
- Cryptographic acceleration: hardware acceleration for AES 128, 192, 256, Triple DES, HASH (MD5, SHA-1), and HMAC
- True random number generator
- CRC calculation unit
- 96-bit unique ID
- RTC: subsecond accuracy, hardware calendar

Table 1. Device summary

| Reference | Part number |
|-------------|--|
| STM32F415xx | STM32F415RG, STM32F415VG, STM32F415ZG, STM32F415OG |
| STM32F417xx | STM32F417VG, STM32F417IG, STM32F417ZG, STM32F417VE, STM32F417ZE, STM32F417IE |

Contents

| | | |
|----------|--|-----------|
| 1 | Introduction | 13 |
| 2 | Description | 14 |
| 2.1 | Full compatibility throughout the family | 17 |
| 2.2 | Functional overview | 20 |
| 2.2.1 | Arm® Cortex®-M4 core with FPU and embedded Flash and SRAM | 21 |
| 2.2.2 | Adaptive real-time memory accelerator (ART Accelerator) | 21 |
| 2.2.3 | Memory protection unit | 21 |
| 2.2.4 | Embedded Flash memory | 21 |
| 2.2.5 | CRC (cyclic redundancy check) calculation unit | 22 |
| 2.2.6 | Embedded SRAM | 22 |
| 2.2.7 | Multi-AHB bus matrix | 22 |
| 2.2.8 | DMA controller (DMA) | 23 |
| 2.2.9 | Flexible static memory controller (FSMC) | 24 |
| 2.2.10 | Nested vectored interrupt controller (NVIC) | 24 |
| 2.2.11 | External interrupt/event controller (EXTI) | 25 |
| 2.2.12 | Clocks and startup | 25 |
| 2.2.13 | Boot modes | 25 |
| 2.2.14 | Power supply schemes | 25 |
| 2.2.15 | Power supply supervisor | 26 |
| 2.2.16 | Voltage regulator | 28 |
| 2.2.17 | Regulator ON/OFF and internal reset ON/OFF availability | 31 |
| 2.2.18 | Real-time clock (RTC), backup SRAM and backup registers | 31 |
| 2.2.19 | Low-power modes | 32 |
| 2.2.20 | V _{BAT} operation | 33 |
| 2.2.21 | Timers and watchdogs | 33 |
| 2.2.22 | Inter-integrated circuit interface (I ² C) | 36 |
| 2.2.23 | Universal synchronous/asynchronous receiver transmitters (USART) | 36 |
| 2.2.24 | Serial peripheral interface (SPI) | 37 |
| 2.2.25 | Inter-integrated sound (I2S) | 37 |
| 2.2.26 | Audio PLL (PLLI2S) | 38 |
| 2.2.27 | Secure digital input/output interface (SDIO) | 38 |
| 2.2.28 | Ethernet MAC interface with dedicated DMA and IEEE 1588 support | 38 |
| 2.2.29 | Controller area network (bxCAN) | 39 |

- 2.2.30 Universal serial bus on-the-go full-speed (OTG_FS) 39
- 2.2.31 Universal serial bus on-the-go high-speed (OTG_HS) 40
- 2.2.32 Digital camera interface (DCMI) 40
- 2.2.33 Cryptographic acceleration 41
- 2.2.34 True random number generator (RNG) 41
- 2.2.35 General-purpose input/outputs (GPIOs) 41
- 2.2.36 Analog-to-digital converters (ADCs) 41
- 2.2.37 Temperature sensor 42
- 2.2.38 Digital-to-analog converter (DAC) 42
- 2.2.39 Serial wire JTAG debug port (SWJ-DP) 42
- 2.2.40 Embedded Trace Macrocell™ 43

- 3 Pinouts and pin description 44**

- 4 Memory mapping 74**

- 5 Electrical characteristics 79**

 - 5.1 Parameter conditions 79
 - 5.1.1 Minimum and maximum values 79
 - 5.1.2 Typical values 79
 - 5.1.3 Typical curves 79
 - 5.1.4 Loading capacitor 79
 - 5.1.5 Pin input voltage 79
 - 5.1.6 Power supply scheme 80
 - 5.1.7 Current consumption measurement 81
 - 5.2 Absolute maximum ratings 81
 - 5.3 Operating conditions 82
 - 5.3.1 General operating conditions 82
 - 5.3.2 VCAP_1/VCAP_2 external capacitor 85
 - 5.3.3 Operating conditions at power-up / power-down (regulator ON) 85
 - 5.3.4 Operating conditions at power-up / power-down (regulator OFF) 85
 - 5.3.5 Embedded reset and power control block characteristics 86
 - 5.3.6 Supply current characteristics 87
 - 5.3.7 Wakeup time from low-power mode 102
 - 5.3.8 External clock source characteristics 103
 - 5.3.9 Internal clock source characteristics 107
 - 5.3.10 PLL characteristics 108

| | | |
|-------------------|---|------------|
| 5.3.11 | PLL spread spectrum clock generation (SSCG) characteristics | 110 |
| 5.3.12 | Memory characteristics | 112 |
| 5.3.13 | EMC characteristics | 114 |
| 5.3.14 | Absolute maximum ratings (electrical sensitivity) | 116 |
| 5.3.15 | I/O current injection characteristics | 117 |
| 5.3.16 | I/O port characteristics | 118 |
| 5.3.17 | NRST pin characteristics | 123 |
| 5.3.18 | TIM timer characteristics | 124 |
| 5.3.19 | Communications interfaces | 125 |
| 5.3.20 | CAN (controller area network) interface | 137 |
| 5.3.21 | 12-bit ADC characteristics | 137 |
| 5.3.22 | Temperature sensor characteristics | 142 |
| 5.3.23 | V _{BAT} monitoring characteristics | 143 |
| 5.3.24 | Embedded reference voltage | 143 |
| 5.3.25 | DAC electrical characteristics | 143 |
| 5.3.26 | FSMC characteristics | 146 |
| 5.3.27 | Camera interface (DCMI) timing specifications | 165 |
| 5.3.28 | SD/SDIO MMC card host interface (SDIO) characteristics | 166 |
| 5.3.29 | RTC characteristics | 167 |
| 6 | Package information | 168 |
| 6.1 | WLCSP90 package information | 168 |
| 6.2 | LQFP64 package information | 171 |
| 6.3 | LQFP100 package information | 174 |
| 6.4 | LQFP144 package information | 177 |
| 6.5 | UFBGA176+25 package information | 181 |
| 6.6 | LQFP176 package information | 184 |
| 6.7 | Thermal characteristics | 188 |
| 7 | Ordering information | 189 |
| Appendix A | Application block diagrams | 190 |
| A.1 | USB OTG full speed (FS) interface solutions | 190 |
| A.2 | USB OTG high speed (HS) interface solutions | 192 |
| A.3 | Ethernet interface solutions | 193 |

8 Revision history 195



List of tables

| | | |
|-----------|--|-----|
| Table 1. | Device summary | 2 |
| Table 2. | STM32F415xx and STM32F417xx: features and peripheral counts. | 15 |
| Table 3. | Regulator ON/OFF and internal reset ON/OFF availability. | 31 |
| Table 4. | Timer feature comparison. | 33 |
| Table 5. | USART feature comparison | 37 |
| Table 6. | Legend/abbreviations used in the pinout table | 49 |
| Table 7. | STM32F41xxx pin and ball definitions | 50 |
| Table 8. | FSMC pin definition | 62 |
| Table 9. | Alternate function mapping | 65 |
| Table 10. | STM32F41x register boundary addresses | 75 |
| Table 11. | Voltage characteristics | 81 |
| Table 12. | Current characteristics | 82 |
| Table 13. | Thermal characteristics. | 82 |
| Table 14. | General operating conditions | 82 |
| Table 15. | Limitations depending on the operating power supply range | 84 |
| Table 16. | VCAP_1/VCAP_2 operating conditions | 85 |
| Table 17. | Operating conditions at power-up / power-down (regulator ON) | 85 |
| Table 18. | Operating conditions at power-up / power-down (regulator OFF). | 85 |
| Table 19. | Embedded reset and power control block characteristics. | 86 |
| Table 20. | Typical and maximum current consumption in Run mode, code with data processing running from Flash memory (ART accelerator enabled) or RAM | 88 |
| Table 21. | Typical and maximum current consumption in Run mode, code with data processing running from Flash memory (ART accelerator disabled) | 89 |
| Table 22. | Typical and maximum current consumption in Sleep mode | 92 |
| Table 23. | Typical and maximum current consumptions in Stop mode | 93 |
| Table 24. | Typical and maximum current consumptions in Standby mode | 93 |
| Table 25. | Typical and maximum current consumptions in V _{BAT} mode. | 94 |
| Table 26. | Typical current consumption in Run mode, code with data processing running from Flash memory, regulator ON (ART accelerator enabled except prefetch), V _{DD} = 1.8 V. | 96 |
| Table 27. | Switching output I/O current consumption | 98 |
| Table 28. | Peripheral current consumption | 99 |
| Table 29. | Low-power mode wakeup timings | 103 |
| Table 30. | High-speed external user clock characteristics. | 103 |
| Table 31. | Low-speed external user clock characteristics | 104 |
| Table 32. | HSE 4-26 MHz oscillator characteristics | 105 |
| Table 33. | LSE oscillator characteristics (f _{LSE} = 32.768 kHz) | 106 |
| Table 34. | HSI oscillator characteristics | 107 |
| Table 35. | LSI oscillator characteristics | 107 |
| Table 36. | Main PLL characteristics. | 108 |
| Table 37. | PLLI2S (audio PLL) characteristics | 109 |
| Table 38. | SSCG parameters constraint | 110 |
| Table 39. | Flash memory characteristics | 112 |
| Table 40. | Flash memory programming. | 112 |
| Table 41. | Flash memory programming with VPP | 114 |
| Table 42. | Flash memory endurance and data retention. | 114 |
| Table 43. | EMS characteristics | 115 |
| Table 44. | EMI characteristics | 116 |

| | | |
|-----------|--|-----|
| Table 45. | ESD absolute maximum ratings | 116 |
| Table 46. | Electrical sensitivities | 117 |
| Table 47. | I/O current injection susceptibility | 118 |
| Table 48. | I/O static characteristics | 118 |
| Table 49. | Output voltage characteristics | 120 |
| Table 50. | I/O AC characteristics | 121 |
| Table 51. | NRST pin characteristics | 123 |
| Table 52. | Characteristics of TIMx connected to the APB1 domain | 124 |
| Table 53. | Characteristics of TIMx connected to the APB2 domain | 125 |
| Table 54. | I2C analog filter characteristics | 125 |
| Table 55. | SPI dynamic characteristics | 126 |
| Table 56. | I2S dynamic characteristics | 130 |
| Table 57. | USB OTG FS startup time | 132 |
| Table 58. | USB OTG FS DC electrical characteristics | 132 |
| Table 59. | USB OTG FS electrical characteristics | 133 |
| Table 60. | USB HS DC electrical characteristics | 133 |
| Table 61. | USB HS clock timing parameters | 133 |
| Table 62. | ULPI timing | 134 |
| Table 63. | Ethernet DC electrical characteristics | 135 |
| Table 64. | Dynamic characteristics: Ethernet MAC signals for SMI | 135 |
| Table 65. | Dynamic characteristics: Ethernet MAC signals for RMII | 136 |
| Table 66. | Dynamic characteristics: Ethernet MAC signals for MII | 137 |
| Table 67. | ADC characteristics | 137 |
| Table 68. | ADC accuracy at $f_{ADC} = 30$ MHz | 139 |
| Table 69. | Temperature sensor characteristics | 142 |
| Table 70. | Temperature sensor calibration values | 142 |
| Table 71. | V_{BAT} monitoring characteristics | 143 |
| Table 72. | Embedded internal reference voltage | 143 |
| Table 73. | Internal reference voltage calibration values | 143 |
| Table 74. | DAC characteristics | 143 |
| Table 75. | Asynchronous non-multiplexed SRAM/PSRAM/NOR read timings | 147 |
| Table 76. | Asynchronous non-multiplexed SRAM/PSRAM/NOR write timings | 148 |
| Table 77. | Asynchronous multiplexed PSRAM/NOR read timings | 149 |
| Table 78. | Asynchronous multiplexed PSRAM/NOR write timings | 150 |
| Table 79. | Synchronous multiplexed NOR/PSRAM read timings | 152 |
| Table 80. | Synchronous multiplexed PSRAM write timings | 153 |
| Table 81. | Synchronous non-multiplexed NOR/PSRAM read timings | 155 |
| Table 82. | Synchronous non-multiplexed PSRAM write timings | 156 |
| Table 83. | Switching characteristics for PC Card/CF read and write cycles in attribute/common space | 161 |
| Table 84. | Switching characteristics for PC Card/CF read and write cycles in I/O space | 162 |
| Table 85. | Switching characteristics for NAND Flash read cycles | 164 |
| Table 86. | Switching characteristics for NAND Flash write cycles | 165 |
| Table 87. | DCMI characteristics | 165 |
| Table 88. | Dynamic characteristics: SD / MMC characteristics | 167 |
| Table 89. | RTC characteristics | 167 |
| Table 90. | WLCSP90 - 4.223 x 3.969 mm, 0.400 mm pitch wafer level chip scale package mechanical data | 169 |
| Table 91. | WLCSP90 recommended PCB design rules | 170 |
| Table 92. | LQFP64 – 64-pin 10 x 10 mm low-profile quad flat package mechanical data | 171 |

| | | |
|-----------|---|-----|
| Table 93. | LQFP100 – 100-pin, 14 x 14 mm low-profile quad flat package mechanical data | 174 |
| Table 94. | LQFP144 - 144-pin, 20 x 20 mm low-profile quad flat package mechanical data | 178 |
| Table 95. | UFBGA176+25 ball, 10 × 10 × 0.65 mm pitch, ultra thin fine pitch ball grid array mechanical data | 181 |
| Table 96. | UFBGA176+2 recommended PCB design rules (0.65 mm pitch BGA) | 182 |
| Table 97. | LQFP176 - 176-pin, 24 x 24 mm low profile quad flat package mechanical data | 184 |
| Table 98. | Package thermal characteristics | 188 |
| Table 99. | Document revision history | 195 |

List of figures

| | | |
|------------|---|-----|
| Figure 1. | Compatible board design between STM32F10xx/STM32F41xxx for LQFP64 | 17 |
| Figure 2. | Compatible board design STM32F10xx/STM32F2/STM32F41xxx for LQFP100 package. | 18 |
| Figure 3. | Compatible board design between STM32F10xx/STM32F2/STM32F41xxx for LQFP144 package. | 18 |
| Figure 4. | Compatible board design between STM32F2 and STM32F41xxx for LQFP176 and BGA176 packages | 19 |
| Figure 5. | STM32F41xxx block diagram | 20 |
| Figure 6. | Multi-AHB matrix | 23 |
| Figure 7. | Power supply supervisor interconnection with internal reset OFF | 27 |
| Figure 8. | PDR_ON and NRST control with internal reset OFF | 28 |
| Figure 9. | Regulator OFF | 29 |
| Figure 10. | Startup in regulator OFF mode: slow V_{DD} slope - power-down reset risen after V_{CAP_1}/V_{CAP_2} stabilization | 30 |
| Figure 11. | Startup in regulator OFF mode: fast V_{DD} slope - power-down reset risen before V_{CAP_1}/V_{CAP_2} stabilization | 31 |
| Figure 12. | STM32F41xxx LQFP64 pinout | 44 |
| Figure 13. | STM32F41xxx LQFP100 pinout | 45 |
| Figure 14. | STM32F41xxx LQFP144 pinout | 46 |
| Figure 15. | STM32F41xxx LQFP176 pinout | 47 |
| Figure 16. | STM32F41xxx UFBGA176 ballout | 48 |
| Figure 17. | STM32F41xxx WLCSP90 ballout | 49 |
| Figure 18. | STM32F41xxx memory map | 74 |
| Figure 19. | Pin loading conditions | 79 |
| Figure 20. | Pin input voltage | 79 |
| Figure 21. | Power supply scheme | 80 |
| Figure 22. | Current consumption measurement scheme | 81 |
| Figure 23. | External capacitor C_{EXT} | 85 |
| Figure 24. | Typical current consumption versus temperature, Run mode, code with data processing running from Flash (ART accelerator ON) or RAM, and peripherals OFF | 90 |
| Figure 25. | Typical current consumption versus temperature, Run mode, code with data processing running from Flash (ART accelerator ON) or RAM, and peripherals ON | 90 |
| Figure 26. | Typical current consumption versus temperature, Run mode, code with data processing running from Flash (ART accelerator OFF) or RAM, and peripherals OFF | 91 |
| Figure 27. | Typical current consumption versus temperature, Run mode, code with data processing running from Flash (ART accelerator OFF) or RAM, and peripherals ON | 91 |
| Figure 28. | Typical V_{BAT} current consumption (LSE and RTC ON/backup RAM OFF) | 94 |
| Figure 29. | Typical V_{BAT} current consumption (LSE and RTC ON/backup RAM ON) | 95 |
| Figure 30. | High-speed external clock source AC timing diagram | 104 |
| Figure 31. | Low-speed external clock source AC timing diagram | 105 |
| Figure 32. | Typical application with an 8 MHz crystal | 106 |
| Figure 33. | Typical application with a 32.768 kHz crystal | 107 |
| Figure 34. | ACC_{LSI} versus temperature | 108 |
| Figure 35. | PLL output clock waveforms in center spread mode | 111 |
| Figure 36. | PLL output clock waveforms in down spread mode | 112 |
| Figure 37. | I/O AC characteristics definition | 122 |
| Figure 38. | Recommended NRST pin protection | 123 |
| Figure 39. | SPI timing diagram - slave mode and CPHA = 0 | 128 |

| | | |
|------------|---|-----|
| Figure 40. | SPI timing diagram - slave mode and CPHA = 1 | 128 |
| Figure 41. | SPI timing diagram - master mode | 129 |
| Figure 42. | I2S slave timing diagram (Philips protocol) | 131 |
| Figure 43. | I2S master timing diagram (Philips protocol) ⁽¹⁾ | 131 |
| Figure 44. | USB OTG FS timings: definition of data signal rise and fall time | 133 |
| Figure 45. | ULPI timing diagram | 134 |
| Figure 46. | Ethernet SMI timing diagram | 135 |
| Figure 47. | Ethernet RMII timing diagram | 136 |
| Figure 48. | Ethernet MII timing diagram | 136 |
| Figure 49. | ADC accuracy characteristics | 140 |
| Figure 50. | Typical connection diagram using the ADC | 140 |
| Figure 51. | Power supply and reference decoupling (V_{REF+} not connected to V_{DDA}) | 141 |
| Figure 52. | Power supply and reference decoupling (V_{REF+} connected to V_{DDA}) | 142 |
| Figure 53. | 12-bit buffered /non-buffered DAC | 146 |
| Figure 54. | Asynchronous non-multiplexed SRAM/PSRAM/NOR read waveforms | 147 |
| Figure 55. | Asynchronous non-multiplexed SRAM/PSRAM/NOR write waveforms | 148 |
| Figure 56. | Asynchronous multiplexed PSRAM/NOR read waveforms | 149 |
| Figure 57. | Asynchronous multiplexed PSRAM/NOR write waveforms | 150 |
| Figure 58. | Synchronous multiplexed NOR/PSRAM read timings | 151 |
| Figure 59. | Synchronous multiplexed PSRAM write timings | 153 |
| Figure 60. | Synchronous non-multiplexed NOR/PSRAM read timings | 154 |
| Figure 61. | Synchronous non-multiplexed PSRAM write timings | 156 |
| Figure 62. | PC Card/CompactFlash controller waveforms for common memory read access | 157 |
| Figure 63. | PC Card/CompactFlash controller waveforms for common memory write access | 158 |
| Figure 64. | PC Card/CompactFlash controller waveforms for attribute memory read access | 159 |
| Figure 65. | PC Card/CompactFlash controller waveforms for attribute memory write access | 160 |
| Figure 66. | PC Card/CompactFlash controller waveforms for I/O space read access | 160 |
| Figure 67. | PC Card/CompactFlash controller waveforms for I/O space write access | 161 |
| Figure 68. | NAND controller waveforms for read access | 163 |
| Figure 69. | NAND controller waveforms for write access | 163 |
| Figure 70. | NAND controller waveforms for common memory read access | 164 |
| Figure 71. | NAND controller waveforms for common memory write access | 164 |
| Figure 72. | DCMI timing diagram | 165 |
| Figure 73. | SDIO high-speed mode | 166 |
| Figure 74. | SD default mode | 167 |
| Figure 75. | WLCSP90 - 4.223 x 3.969 mm, 0.400 mm pitch wafer level chip scale package outline | 168 |
| Figure 76. | WLCSP90 - 4.223 x 3.969 mm, 0.400 mm pitch wafer level chip scale recommended footprint | 169 |
| Figure 77. | WLCSP90 marking example (package top view) | 170 |
| Figure 78. | LQFP64 – 64-pin, 10 x 10 mm low-profile quad flat package outline | 171 |
| Figure 79. | LQFP64 – 64-pin, 10 x 10 mm low-profile quad flat package recommended footprint | 172 |
| Figure 80. | LPQF64 marking example (package top view) | 173 |
| Figure 81. | LQFP100 - 100-pin, 14 x 14 mm low-profile quad flat package outline | 174 |
| Figure 82. | LQFP100 - 100-pin, 14 x 14 mm low-profile quad flat recommended footprint | 175 |
| Figure 83. | LQFP100 marking example (package top view) | 176 |
| Figure 84. | LQFP144 - 144-pin, 20 x 20 mm low-profile quad flat package outline | 177 |
| Figure 85. | LQFP144 - 144-pin, 20 x 20 mm low-profile quad flat package | |

| | | |
|------------|--|-----|
| | recommended footprint | 179 |
| Figure 86. | LQFP144 marking example (package top view) | 180 |
| Figure 87. | UFBGA176+25 ball, 10 x 10 mm, 0.65 mm pitch, ultra fine pitch ball grid array package outline | 181 |
| Figure 88. | UFBGA176+25 - 201-ball, 10 x 10 mm, 0.65 mm pitch, ultra fine pitch ball grid array recommended footprint | 182 |
| Figure 89. | UFBGA176+25 marking example (package top view) | 183 |
| Figure 90. | LQFP176 - 176-pin, 24 x 24 mm low profile quad flat package outline | 184 |
| Figure 91. | LQFP176 - 176-pin, 24 x 24 mm low profile quad flat recommended footprint. | 186 |
| Figure 92. | LQFP176 marking example (package top view) | 187 |
| Figure 93. | USB controller configured as peripheral-only and used in Full speed mode | 190 |
| Figure 94. | USB controller configured as host-only and used in full speed mode. | 190 |
| Figure 95. | USB controller configured in dual mode and used in full speed mode | 191 |
| Figure 96. | USB controller configured as peripheral, host, or dual-mode and used in high speed mode. | 192 |
| Figure 97. | MII mode using a 25 MHz crystal | 193 |
| Figure 98. | RMII with a 50 MHz oscillator | 193 |
| Figure 99. | RMII with a 25 MHz crystal and PHY with PLL | 194 |

1 Introduction

This datasheet provides the description of the STM32F415xx and STM32F417xx lines of microcontrollers. For more details on the whole STMicroelectronics STM32™ family, please refer to [Section 2.1: Full compatibility throughout the family](#).

The STM32F415xx and STM32F417xx datasheet should be read in conjunction with the STM32F4xx reference manual which is available from the STMicroelectronics website www.st.com.

For information on the Arm^{®(a)} Cortex[®]-M4 core, please refer to the Cortex[®]-M4 programming manual (PM0214) available from www.st.com.



a. Arm is a registered trademark of Arm Limited (or its subsidiaries) in the US and/or elsewhere.

2 Description

The STM32F415xx and STM32F417xx family is based on the high-performance Arm[®] Cortex[®]-M4 32-bit RISC core operating at a frequency of up to 168 MHz. The Cortex-M4 core features a Floating point unit (FPU) single precision which supports all Arm single-precision data-processing instructions and data types. It also implements a full set of DSP instructions and a memory protection unit (MPU) which enhances application security.

The STM32F415xx and STM32F417xx family incorporates high-speed embedded memories (Flash memory up to 1 Mbyte, up to 192 Kbytes of SRAM), up to 4 Kbytes of backup SRAM, and an extensive range of enhanced I/Os and peripherals connected to two APB buses, three AHB buses and a 32-bit multi-AHB bus matrix.

All devices offer three 12-bit ADCs, two DACs, a low-power RTC, twelve general-purpose 16-bit timers including two PWM timers for motor control, two general-purpose 32-bit timers, a true random number generator (RNG), and a cryptographic acceleration cell. They also feature standard and advanced communication interfaces.

- Up to three I²Cs
- Three SPIs, two I²Ss full duplex. To achieve audio class accuracy, the I2S peripherals can be clocked via a dedicated internal audio PLL or via an external clock to allow synchronization.
- Four USARTs plus two UARTs
- An USB OTG full-speed and a USB OTG high-speed with full-speed capability (with the ULPI),
- Two CANs
- An SDIO/MMC interface
- Ethernet and the camera interface available on STM32F417xx devices only.

New advanced peripherals include an SDIO, an enhanced flexible static memory control (FSMC) interface (for devices offered in packages of 100 pins and more), a camera interface for CMOS sensors and a cryptographic acceleration cell. Refer to [Table 2: STM32F415xx and STM32F417xx: features and peripheral counts](#) for the list of peripherals available on each part number.

The STM32F415xx and STM32F417xx family operates in the –40 to +105 °C temperature range from a 1.8 to 3.6 V power supply. The supply voltage can drop to 1.7 V when the device operates in the 0 to 70 °C temperature range using an external power supply supervisor: refer to [Section : Internal reset OFF](#). A comprehensive set of power-saving mode allows the design of low-power applications.

The STM32F415xx and STM32F417xx family offers devices in various packages ranging from 64 pins to 176 pins. The set of included peripherals changes with the device chosen.

These features make the STM32F415xx and STM32F417xx microcontroller family suitable for a wide range of applications:

- Motor drive and application control
- Medical equipment
- Industrial applications: PLC, inverters, circuit breakers
- Printers, and scanners
- Alarm systems, video intercom, and HVAC
- Home audio appliances



Figure 5 shows the general block diagram of the device family.

Table 2. STM32F415xx and STM32F417xx: features and peripheral counts

| Peripherals | | STM32F415RG | STM32F415OG | STM32F415VG | STM32F415ZG | STM32F417Vx | | STM32F417Zx | | STM32F417Ix | |
|------------------------------|------------------------|----------------------------------|--------------------|-------------|-------------|-------------|------|-------------|------|-------------|------|
| Flash memory in Kbytes | | 1024 | | | | 512 | 1024 | 512 | 1024 | 512 | 1024 |
| SRAM in Kbytes | System | 192(112+16+64) | | | | | | | | | |
| | Backup | 4 | | | | | | | | | |
| FSMC memory controller | | No | Yes ⁽¹⁾ | | | | | | | | |
| Ethernet | | No | | | | Yes | | | | | |
| Timers | General-purpose | 10 | | | | | | | | | |
| | Advanced-control | 2 | | | | | | | | | |
| | Basic | 2 | | | | | | | | | |
| | IWDG | Yes | | | | | | | | | |
| | WWDG | Yes | | | | | | | | | |
| | RTC | Yes | | | | | | | | | |
| True random number generator | | Yes | | | | | | | | | |
| Communication interfaces | SPI / I ² S | 3/2 (full duplex) ⁽²⁾ | | | | | | | | | |
| | I ² C | 3 | | | | | | | | | |
| | USART/UART | 4/2 | | | | | | | | | |
| | USB OTG FS | Yes | | | | | | | | | |
| | USB OTG HS | Yes | | | | | | | | | |
| | CAN | 2 | | | | | | | | | |
| | SDIO | Yes | | | | | | | | | |
| Camera interface | | No | | | | Yes | | | | | |
| Cryptography | | Yes | | | | | | | | | |


Table 2. STM32F415xx and STM32F417xx: features and peripheral counts

| Peripherals | STM32F415RG | STM32F415OG | STM32F415VG | STM32F415ZG | STM32F417Vx | STM32F417Zx | STM32F417Ix |
|------------------------|--|-------------|-------------|-------------|-------------|-------------|---------------------|
| GPIOs | 51 | 72 | 82 | 114 | 82 | 114 | 140 |
| 12-bit ADC | 3 | | | | | | |
| Number of channels | 16 | 13 | 16 | 24 | 16 | 24 | 24 |
| 12-bit DAC | Yes | | | | | | |
| Number of channels | 2 | | | | | | |
| Maximum CPU frequency | 168 MHz | | | | | | |
| Operating voltage | 1.8 to 3.6 V ⁽³⁾ | | | | | | |
| Operating temperatures | Ambient temperatures: –40 to +85 °C / –40 to +105 °C | | | | | | |
| | Junction temperature: –40 to + 125 °C | | | | | | |
| Package | LQFP64 | WLCSP90 | LQFP100 | LQFP144 | LQFP100 | LQFP144 | UFBGA176 LQFP176 |

1. For the LQFP100 and WLCSP90 packages, only FSMC Bank1 or Bank2 are available. Bank1 can only support a multiplexed NOR/PSRAM memory using the NE1 Chip Select. Bank2 can only support a 16- or 8-bit NAND Flash memory using the NCE2 Chip Select. The interrupt line cannot be used since Port G is not available in this package.
2. The SPI2 and SPI3 interfaces give the flexibility to work in an exclusive way in either the SPI mode or the I2S audio mode.
3. V_{DD}/V_{DDA} minimum value of 1.7 V is obtained when the device operates in reduced temperature range, and with the use of an external power supply supervisor (refer to [Section : Internal reset OFF](#)).

2.1 Full compatibility throughout the family

The STM32F415xx and STM32F417xx are part of the STM32F4 family. They are fully pin-to-pin, software and feature compatible with the STM32F2xx devices, allowing the user to try different memory densities, peripherals, and performances (FPU, higher frequency) for a greater degree of freedom during the development cycle.

The STM32F415xx and STM32F417xx devices maintain a close compatibility with the whole STM32F10xxx family. All functional pins are pin-to-pin compatible. The STM32F415xx and STM32F417xx, however, are not drop-in replacements for the STM32F10xxx devices: the two families do not have the same power scheme, and so their power pins are different. Nonetheless, transition from the STM32F10xxx to the STM32F41xxx family remains simple as only a few pins are impacted.

Figure 4, Figure 3, Figure 2, and Figure 1 give compatible board designs between the STM32F41xxx, STM32F2, and STM32F10xxx families.

Figure 1. Compatible board design between STM32F10xx/STM32F41xxx for LQFP64

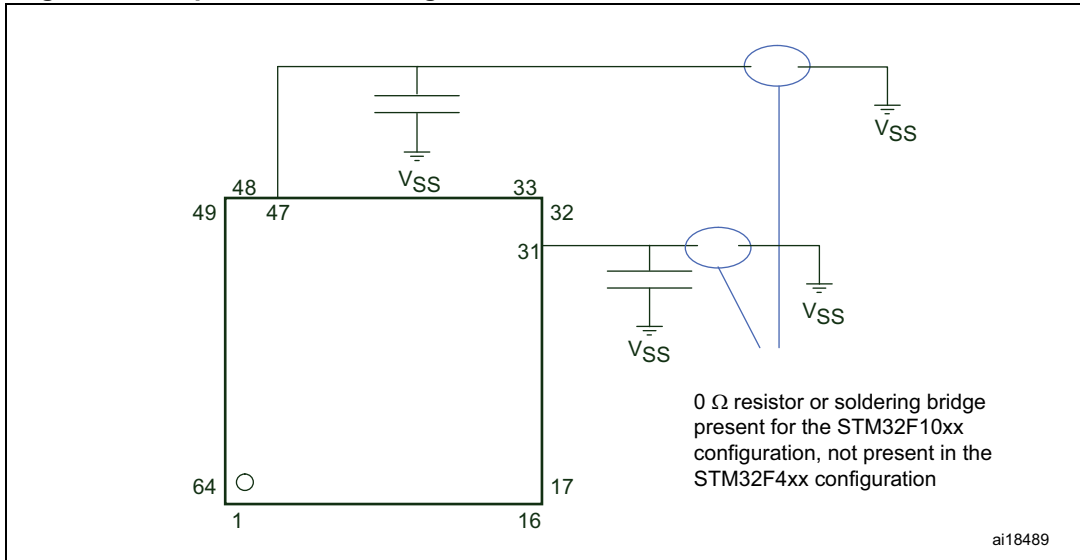


Figure 2. Compatible board design STM32F10xx/STM32F2/STM32F41xxx for LQFP100 package

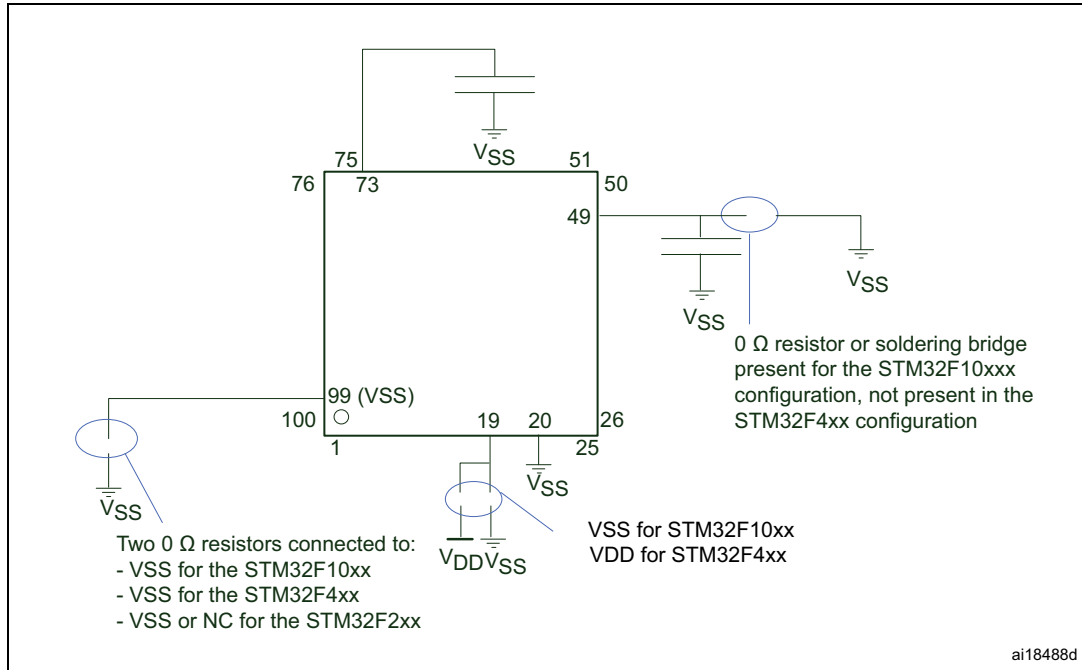


Figure 3. Compatible board design between STM32F10xx/STM32F2/STM32F41xxx for LQFP144 package

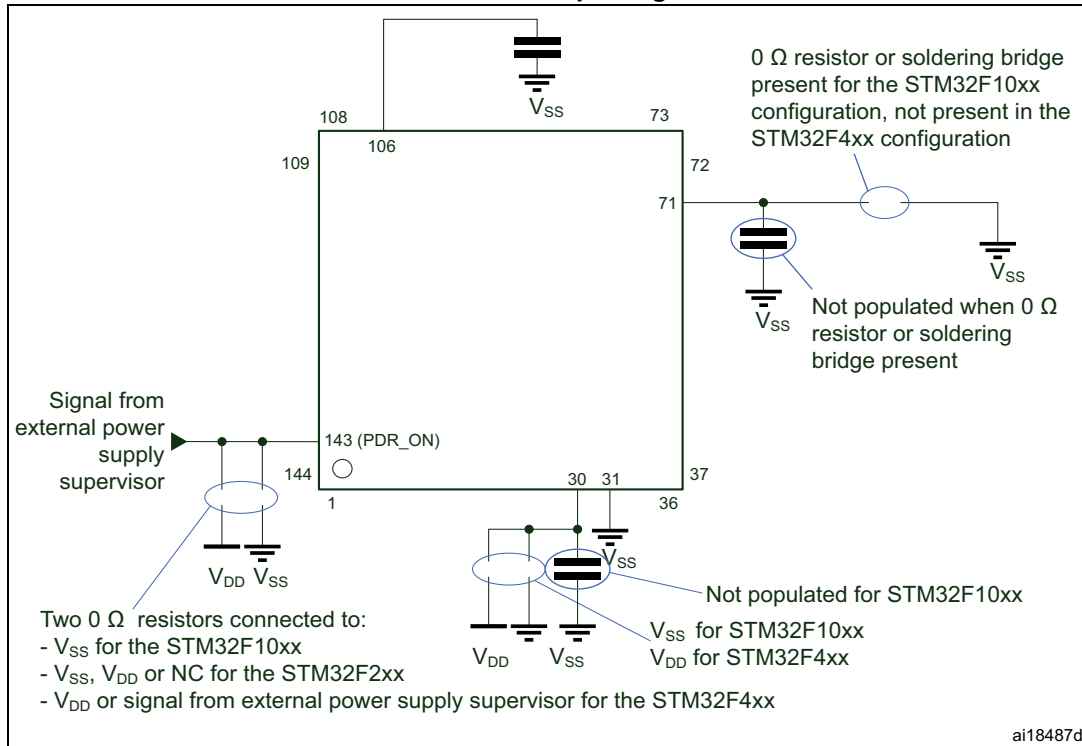
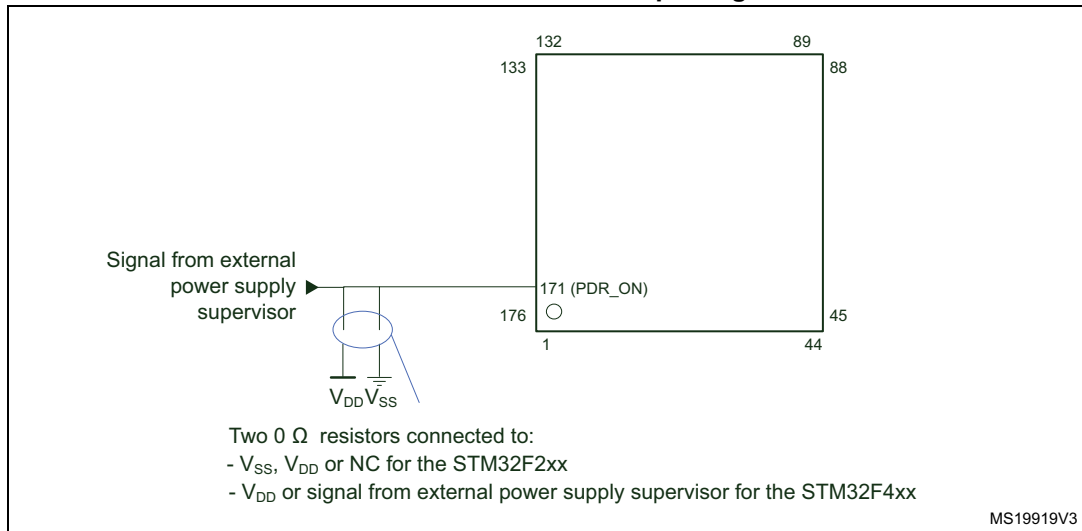
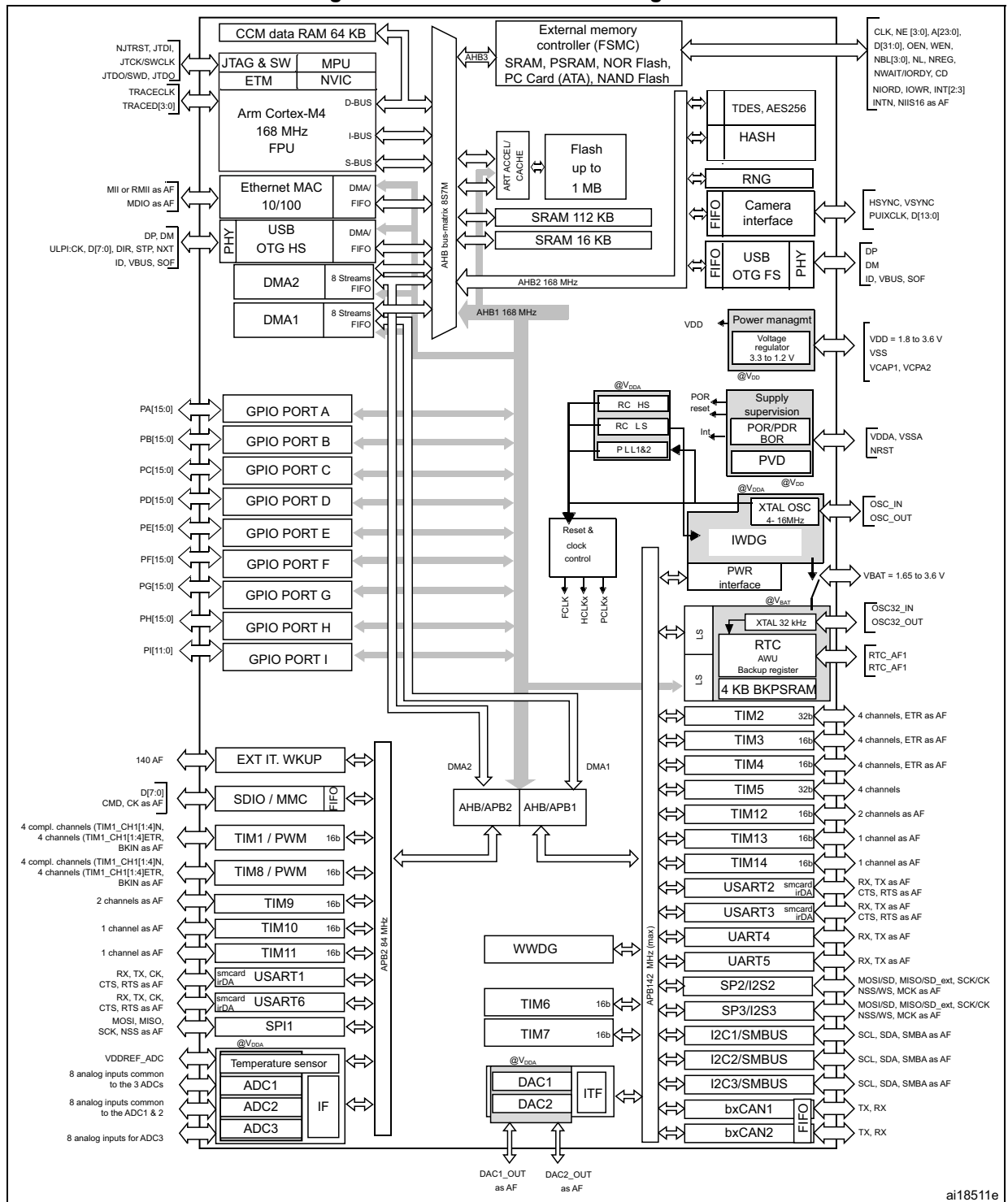


Figure 4. Compatible board design between STM32F2 and STM32F41xxx for LQFP176 and BGA176 packages



2.2 Functional overview

Figure 5. STM32F41xxx block diagram



1. The camera interface and ethernet are available only on STM32F417xx devices.

2.2.1 Arm[®] Cortex[®]-M4 core with FPU and embedded Flash and SRAM

The Arm Cortex-M4 processor with FPU is the latest generation of Arm processors for embedded systems. It was developed to provide a low-cost platform that meets the needs of MCU implementation, with a reduced pin count and low-power consumption, while delivering outstanding computational performance and an advanced response to interrupts.

The Arm Cortex-M4 32-bit RISC processor with FPU features exceptional code-efficiency, delivering the high-performance expected from an Arm core in the memory size usually associated with 8- and 16-bit devices.

The processor supports a set of DSP instructions which allow efficient signal processing and complex algorithm execution.

Its single precision FPU (floating point unit) speeds up software development by using metalanguage development tools, while avoiding saturation.

The STM32F415xx and STM32F417xx family is compatible with all Arm tools and software.

[Figure 5](#) shows the general block diagram of the STM32F41xxx family.

Note: Cortex-M4 with FPU is binary compatible with Cortex-M3.

2.2.2 Adaptive real-time memory accelerator (ART Accelerator)

The ART Accelerator is a memory accelerator which is optimized for STM32 industry-standard Arm[®] Cortex[®]-M4 with FPU processors. It balances the inherent performance advantage of the Arm Cortex-M4 with FPU over Flash memory technologies, which normally requires the processor to wait for the Flash memory at higher frequencies.

To release the processor full 210 DMIPS performance at this frequency, the accelerator implements an instruction prefetch queue and branch cache, which increases program execution speed from the 128-bit Flash memory. Based on CoreMark benchmark, the performance achieved thanks to the ART accelerator is equivalent to 0 wait state program execution from Flash memory at a CPU frequency up to 168 MHz.

2.2.3 Memory protection unit

The memory protection unit (MPU) is used to manage the CPU accesses to memory to prevent one task to accidentally corrupt the memory or resources used by any other active task. This memory area is organized into up to 8 protected areas that can in turn be divided up into 8 subareas. The protection area sizes are between 32 bytes and the whole 4 gigabytes of addressable memory.

The MPU is especially helpful for applications where some critical or certified code has to be protected against the misbehavior of other tasks. It is usually managed by an RTOS (real-time operating system). If a program accesses a memory location that is prohibited by the MPU, the RTOS can detect it and take action. In an RTOS environment, the kernel can dynamically update the MPU area setting, based on the process to be executed.

The MPU is optional and can be bypassed for applications that do not need it.

2.2.4 Embedded Flash memory

The STM32F41xxx devices embed a Flash memory of 512 Kbytes or 1 Mbytes available for storing programs and data, plus 512 bytes of OTP memory.

2.2.5 CRC (cyclic redundancy check) calculation unit

The CRC (cyclic redundancy check) calculation unit is used to get a CRC code from a 32-bit data word and a fixed generator polynomial.

Among other applications, CRC-based techniques are used to verify data transmission or storage integrity. In the scope of the EN/IEC 60335-1 standard, they offer a means of verifying the Flash memory integrity. The CRC calculation unit helps compute a software signature during runtime, to be compared with a reference signature generated at link-time and stored at a given memory location.

2.2.6 Embedded SRAM

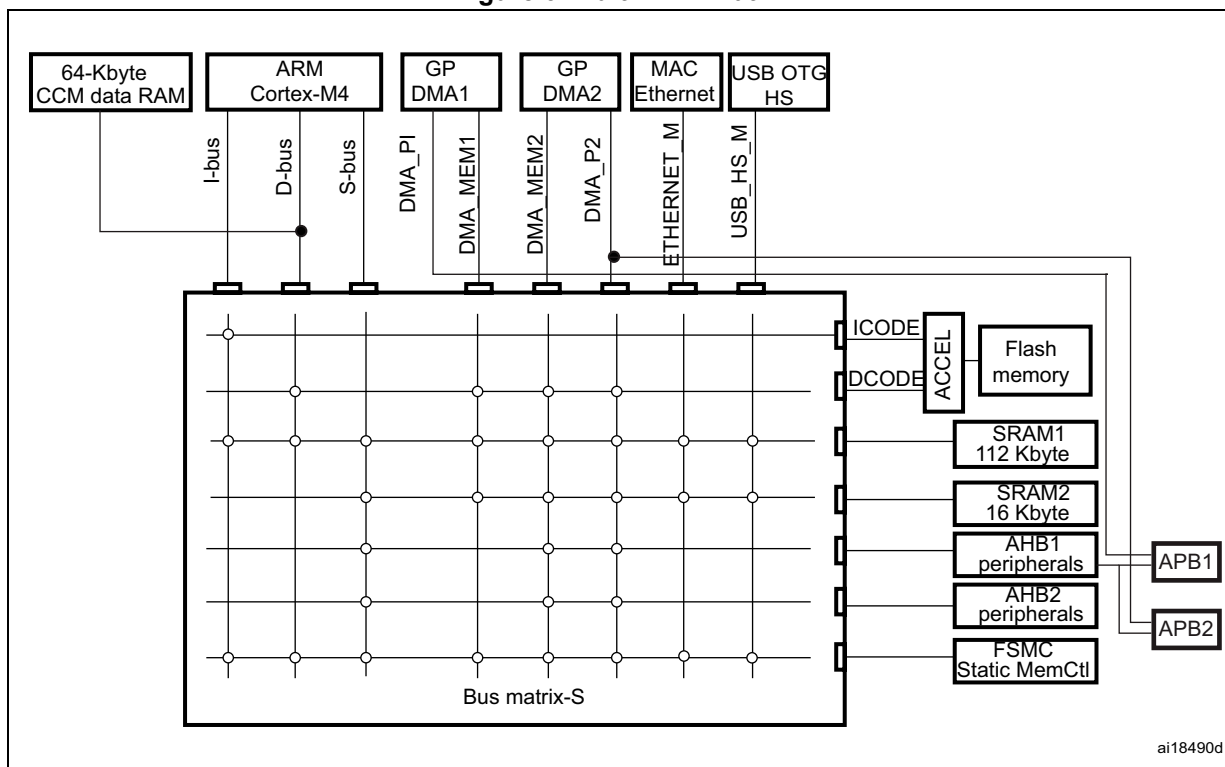
All STM32F41xxx products embed:

- Up to 192 Kbytes of system SRAM including 64 Kbytes of CCM (core coupled memory) data RAM
RAM memory is accessed (read/write) at CPU clock speed with 0 wait states.
- 4 Kbytes of backup SRAM
This area is accessible only from the CPU. Its content is protected against possible unwanted write accesses, and is retained in Standby or VBAT mode.

2.2.7 Multi-AHB bus matrix

The 32-bit multi-AHB bus matrix interconnects all the masters (CPU, DMAs, Ethernet, USB HS) and the slaves (Flash memory, RAM, FSMC, AHB and APB peripherals) and ensures a seamless and efficient operation even when several high-speed peripherals work simultaneously.

Figure 6. Multi-AHB matrix



2.2.8 DMA controller (DMA)

The devices feature two general-purpose dual-port DMAs (DMA1 and DMA2) with 8 streams each. They are able to manage memory-to-memory, peripheral-to-memory and memory-to-peripheral transfers. They feature dedicated FIFOs for APB/AHB peripherals, support burst transfer and are designed to provide the maximum peripheral bandwidth (AHB/APB).

The two DMA controllers support circular buffer management, so that no specific code is needed when the controller reaches the end of the buffer. The two DMA controllers also have a double buffering feature, which automates the use and switching of two memory buffers without requiring any special code.

Each stream is connected to dedicated hardware DMA requests, with support for software trigger on each stream. Configuration is made by software and transfer sizes between source and destination are independent.

The DMA can be used with the main peripherals:

- SPI and I²S
- I²C
- USART
- General-purpose, basic and advanced-control timers TIMx
- DAC
- SDIO
- Cryptographic acceleration
- Camera interface (DCMI)
- ADC.

2.2.9 Flexible static memory controller (FSMC)

The FSMC is embedded in the STM32F415xx and STM32F417xx family. It has four Chip Select outputs supporting the following modes: PCCard/Compact Flash, SRAM, PSRAM, NOR Flash and NAND Flash.

Functionality overview:

- Write FIFO
- Maximum FSMC_CLK frequency for synchronous accesses is 60 MHz.

LCD parallel interface

The FSMC can be configured to interface seamlessly with most graphic LCD controllers. It supports the Intel 8080 and Motorola 6800 modes, and is flexible enough to adapt to specific LCD interfaces. This LCD parallel interface capability makes it easy to build cost-effective graphic applications using LCD modules with embedded controllers or high performance solutions using external controllers with dedicated acceleration.

2.2.10 Nested vectored interrupt controller (NVIC)

The STM32F415xx and STM32F417xx embed a nested vectored interrupt controller able to manage 16 priority levels, and handle up to 82 maskable interrupt channels plus the 16 interrupt lines of the Cortex[®]-M4 with FPU core.

- Closely coupled NVIC gives low-latency interrupt processing
- Interrupt entry vector table address passed directly to the core
- Allows early processing of interrupts
- Processing of late arriving, higher-priority interrupts
- Support tail chaining
- Processor state automatically saved
- Interrupt entry restored on interrupt exit with no instruction overhead

This hardware block provides flexible interrupt management features with minimum interrupt latency.

2.2.11 External interrupt/event controller (EXTI)

The external interrupt/event controller consists of 23 edge-detector lines used to generate interrupt/event requests. Each line can be independently configured to select the trigger event (rising edge, falling edge, both) and can be masked independently. A pending register maintains the status of the interrupt requests. The EXTI can detect an external line with a pulse width shorter than the Internal APB2 clock period. Up to 140 GPIOs can be connected to the 16 external interrupt lines.

2.2.12 Clocks and startup

On reset the 16 MHz internal RC oscillator is selected as the default CPU clock. The 16 MHz internal RC oscillator is factory-trimmed to offer 1% accuracy over the full temperature range. The application can then select as system clock either the RC oscillator or an external 4-26 MHz clock source. This clock can be monitored for failure. If a failure is detected, the system automatically switches back to the internal RC oscillator and a software interrupt is generated (if enabled). This clock source is input to a PLL thus allowing to increase the frequency up to 168 MHz. Similarly, full interrupt management of the PLL clock entry is available when necessary (for example if an indirectly used external oscillator fails).

Several prescalers allow the configuration of the three AHB buses, the high-speed APB (APB2) and the low-speed APB (APB1) domains. The maximum frequency of the three AHB buses is 168 MHz while the maximum frequency of the high-speed APB domains is 84 MHz. The maximum allowed frequency of the low-speed APB domain is 42 MHz.

The devices embed a dedicated PLL (PLLI2S) which allows to achieve audio class performance. In this case, the I²S master clock can generate all standard sampling frequencies from 8 kHz to 192 kHz.

2.2.13 Boot modes

At startup, boot pins are used to select one out of three boot options:

- Boot from user Flash
- Boot from system memory
- Boot from embedded SRAM

The boot loader is located in system memory. It is used to reprogram the Flash memory by using USART1 (PA9/PA10), USART3 (PC10/PC11 or PB10/PB11), CAN2 (PB5/PB13), USB OTG FS in Device mode (PA11/PA12) through DFU (device firmware upgrade).

2.2.14 Power supply schemes

- $V_{DD} = 1.8$ to 3.6 V: external power supply for I/Os and the internal regulator (when enabled), provided externally through V_{DD} pins.
- V_{SSA} , $V_{DDA} = 1.8$ to 3.6 V: external analog power supplies for ADC, DAC, Reset blocks, RCs and PLL. V_{DDA} and V_{SSA} must be connected to V_{DD} and V_{SS} , respectively.
- $V_{BAT} = 1.65$ to 3.6 V: power supply for RTC, external clock 32 kHz oscillator and backup registers (through power switch) when V_{DD} is not present.

Refer to [Figure 21: Power supply scheme](#) for more details.

Note: V_{DD}/V_{DDA} minimum value of 1.7 V is obtained when the device operates in reduced temperature range, and with the use of an external power supply supervisor (refer to [Section : Internal reset OFF](#)).

Refer to [Table 2](#) in order to identify the packages supporting this option.

2.2.15 Power supply supervisor

Internal reset ON

On packages embedding the PDR_ON pin, the power supply supervisor is enabled by holding PDR_ON high. On all other packages, the power supply supervisor is always enabled.

The device has an integrated power-on reset (POR) / power-down reset (PDR) circuitry coupled with a Brownout reset (BOR) circuitry. At power-on, POR/PDR is always active and ensures proper operation starting from 1.8 V. After the 1.8 V POR threshold level is reached, the option byte loading process starts, either to confirm or modify default BOR threshold levels, or to disable BOR permanently. Three BOR thresholds are available through option bytes. The device remains in reset mode when V_{DD} is below a specified threshold, $V_{POR/PDR}$ or V_{BOR} , without the need for an external reset circuit.

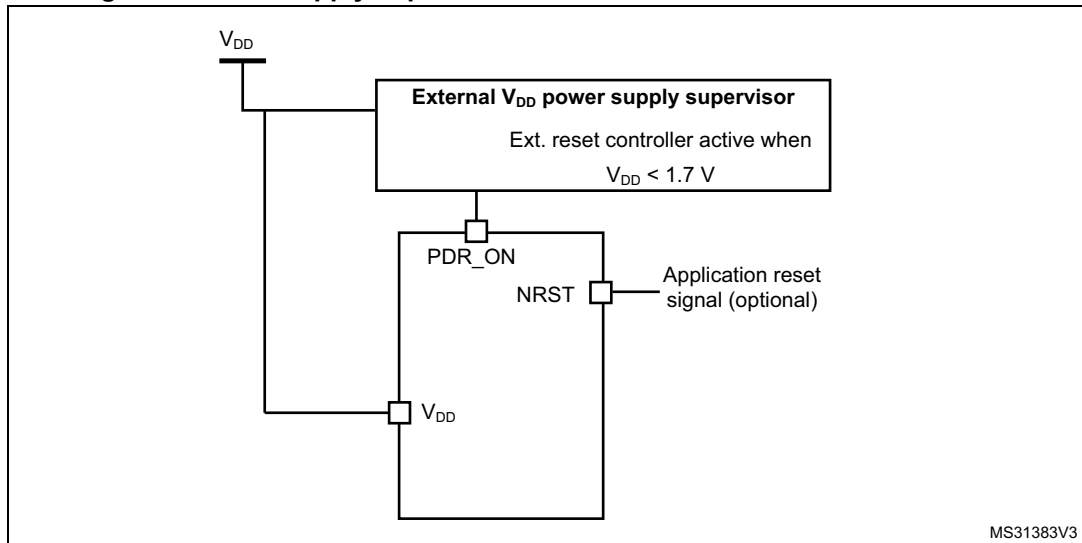
The device also features an embedded programmable voltage detector (PVD) that monitors the V_{DD}/V_{DDA} power supply and compares it to the V_{PVD} threshold. An interrupt can be generated when V_{DD}/V_{DDA} drops below the V_{PVD} threshold and/or when V_{DD}/V_{DDA} is higher than the V_{PVD} threshold. The interrupt service routine can then generate a warning message and/or put the MCU into a safe state. The PVD is enabled by software.

Internal reset OFF

This feature is available only on packages featuring the PDR_ON pin. The internal power-on reset (POR) / power-down reset (PDR) circuitry is disabled with the PDR_ON pin.

An external power supply supervisor should monitor V_{DD} and should maintain the device in reset mode as long as V_{DD} is below a specified threshold. PDR_ON should be connected to this external power supply supervisor. Refer to [Figure 7: Power supply supervisor interconnection with internal reset OFF](#).

Figure 7. Power supply supervisor interconnection with internal reset OFF



1. PDR = 1.7 V for reduce temperature range; PDR = 1.8 V for all temperature range.

The V_{DD} specified threshold, below which the device must be maintained under reset, is 1.8 V (see [Figure 7](#)). This supply voltage can drop to 1.7 V when the device operates in the 0 to 70 °C temperature range.

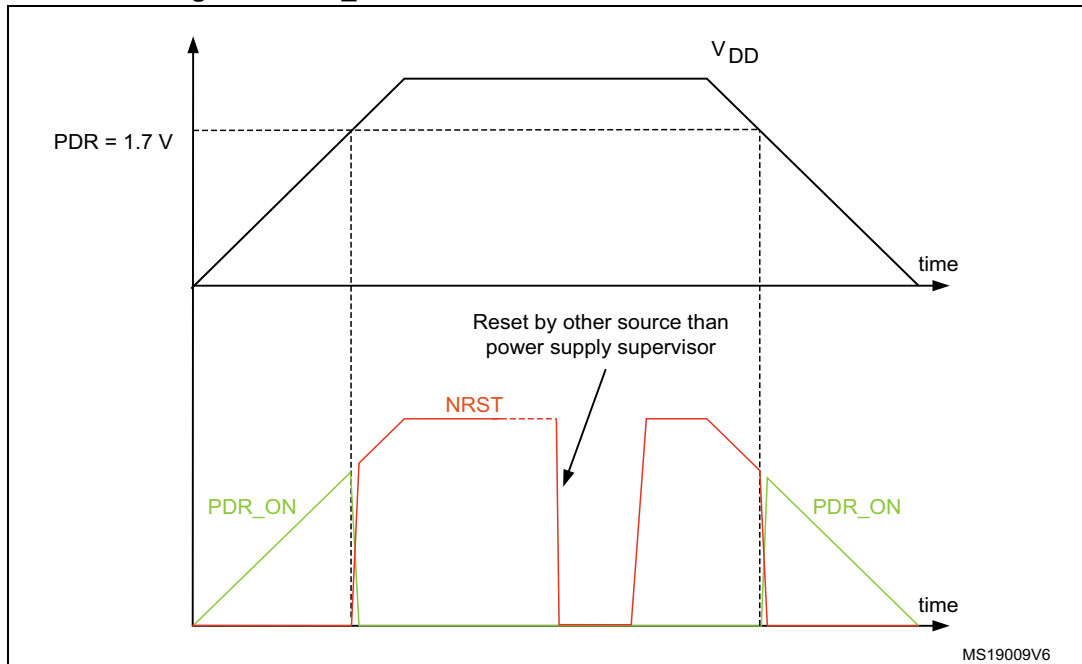
A comprehensive set of power-saving mode allows to design low-power applications.

When the internal reset is OFF, the following integrated features are no more supported:

- The integrated power-on reset (POR) / power-down reset (PDR) circuitry is disabled
- The brownout reset (BOR) circuitry is disabled
- The embedded programmable voltage detector (PVD) is disabled
- V_{BAT} functionality is no more available and V_{BAT} pin should be connected to V_{DD}

All packages, except for the LQFP64 and LQFP100, allow to disable the internal reset through the PDR_ON signal.

Figure 8. PDR_ON and NRST control with internal reset OFF



1. PDR = 1.7 V for reduce temperature range; PDR = 1.8 V for all temperature range.

2.2.16 Voltage regulator

The regulator has four operating modes:

- Regulator ON
 - Main regulator mode (MR)
 - Low-power regulator (LPR)
 - Power-down
- Regulator OFF

Regulator ON

On packages embedding the `BYPASS_REG` pin, the regulator is enabled by holding `BYPASS_REG` low. On all other packages, the regulator is always enabled.

There are three power modes configured by software when regulator is ON:

- MR is used in the nominal regulation mode (With different voltage scaling in Run)
In Main regulator mode (MR mode), different voltage scaling are provided to reach the best compromise between maximum frequency and dynamic power consumption. Refer to [Table 14: General operating conditions](#).
- LPR is used in the Stop modes
The LP regulator mode is configured by software when entering Stop mode.
- Power-down is used in Standby mode.
The Power-down mode is activated only when entering in Standby mode. The regulator output is in high impedance and the kernel circuitry is powered down, inducing zero consumption. The contents of the registers and SRAM are lost)

Two external ceramic capacitors should be connected on V_{CAP_1} & V_{CAP_2} pin. Refer to [Figure 21: Power supply scheme](#) and [Figure 16: VCAP_1/VCAP_2 operating conditions](#).

All packages have regulator ON feature.

Regulator OFF

This feature is available only on packages featuring the BYPASS_REG pin. The regulator is disabled by holding BYPASS_REG high. The regulator OFF mode allows to supply externally a V_{12} voltage source through V_{CAP_1} and V_{CAP_2} pins.

Since the internal voltage scaling is not managed internally, the external voltage value must be aligned with the targeted maximum frequency. Refer to [Table 14: General operating conditions](#).

The two 2.2 μF ceramic capacitors should be replaced by two 100 nF decoupling capacitors.

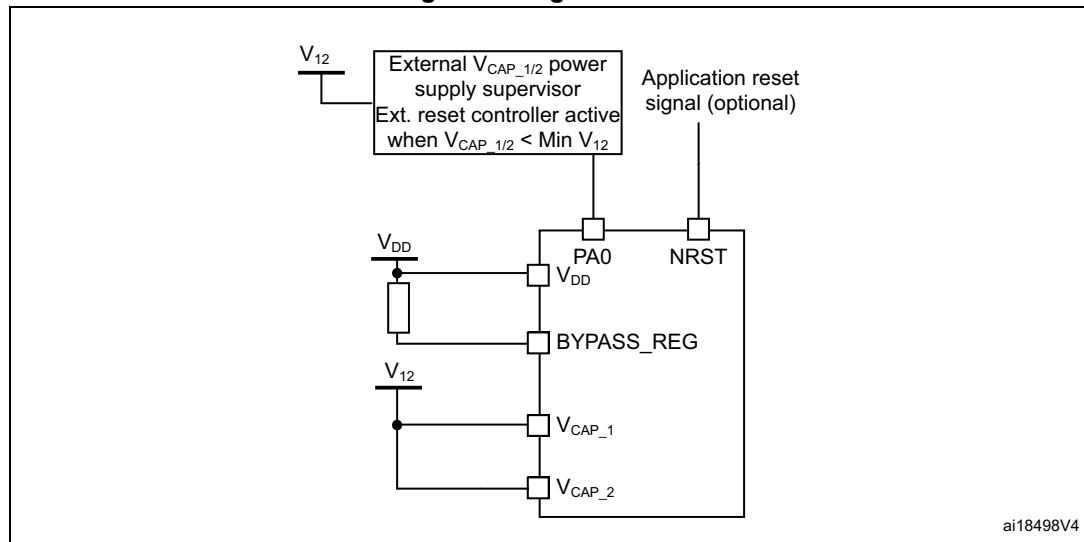
Refer to [Figure 21: Power supply scheme](#)

When the regulator is OFF, there is no more internal monitoring on V_{12} . An external power supply supervisor should be used to monitor the V_{12} of the logic power domain. PA0 pin should be used for this purpose, and act as power-on reset on V_{12} power domain.

In regulator OFF mode the following features are no more supported:

- PA0 cannot be used as a GPIO pin since it allows to reset a part of the V_{12} logic power domain which is not reset by the NRST pin.
- As long as PA0 is kept low, the debug mode cannot be used under power-on reset. As a consequence, PA0 and NRST pins must be managed separately if the debug connection under reset or pre-reset is required.
- The standby mode is not available

Figure 9. Regulator OFF

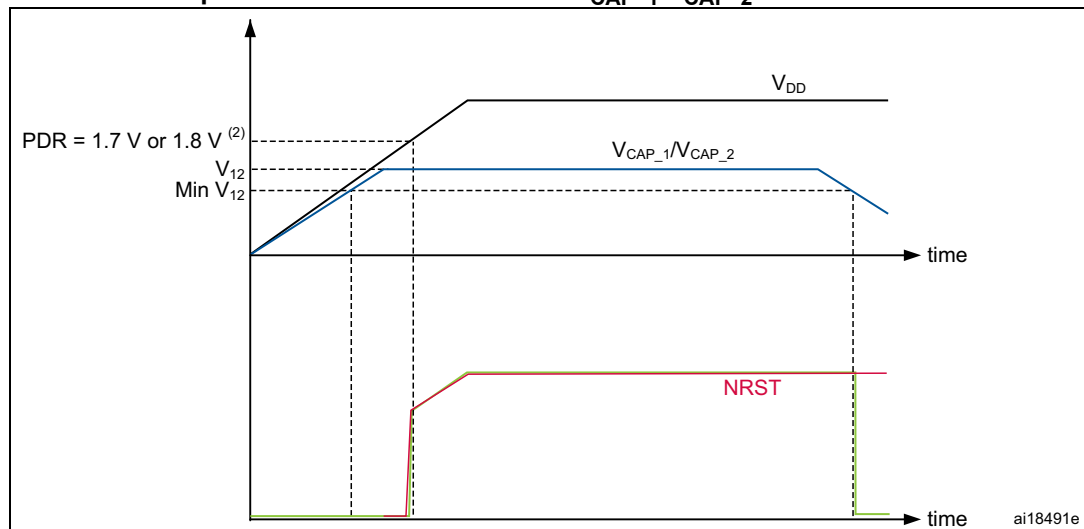


The following conditions must be respected:

- V_{DD} should always be higher than V_{CAP_1} and V_{CAP_2} to avoid current injection between power domains.
- If the time for V_{CAP_1} and V_{CAP_2} to reach V_{12} minimum value is faster than the time for V_{DD} to reach 1.8 V, then PA0 should be kept low to cover both conditions: until V_{CAP_1} and V_{CAP_2} reach V_{12} minimum value and until V_{DD} reaches 1.8 V (see [Figure 10](#)).
- Otherwise, if the time for V_{CAP_1} and V_{CAP_2} to reach V_{12} minimum value is slower than the time for V_{DD} to reach 1.8 V, then PA0 could be asserted low externally (see [Figure 11](#)).
- If V_{CAP_1} and V_{CAP_2} go below V_{12} minimum value and V_{DD} is higher than 1.8 V, then a reset must be asserted on PA0 pin.

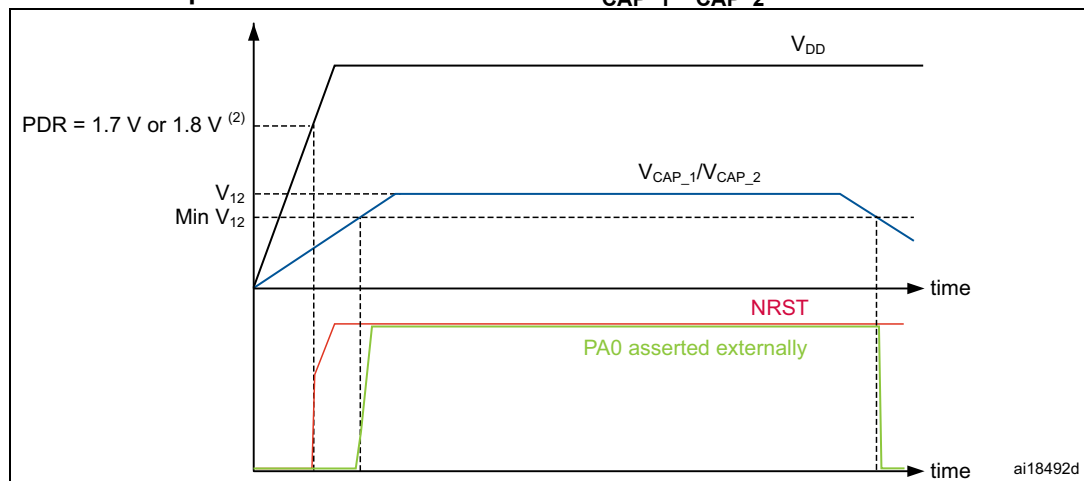
Note: The minimum value of V_{12} depends on the maximum frequency targeted in the application (see [Table 14: General operating conditions](#)).

Figure 10. Startup in regulator OFF mode: slow V_{DD} slope - power-down reset risen after V_{CAP_1}/V_{CAP_2} stabilization



1. This figure is valid both whatever the internal reset mode (ON or OFF).
2. PDR = 1.7 V for reduced temperature range; PDR = 1.8 V for all temperature ranges.

Figure 11. Startup in regulator OFF mode: fast V_{DD} slope - power-down reset risen before V_{CAP_1}/V_{CAP_2} stabilization



1. This figure is valid both whatever the internal reset mode (ON or OFF).
2. PDR = 1.7 V for a reduced temperature range; PDR = 1.8 V for all temperature ranges.

2.2.17 Regulator ON/OFF and internal reset ON/OFF availability

Table 3. Regulator ON/OFF and internal reset ON/OFF availability

| | Regulator ON | Regulator OFF | Internal reset ON | Internal reset OFF |
|--------------------------------|-----------------------------------|-----------------------------------|-------------------------------|--|
| LQFP64 LQFP100 | Yes | No | Yes | No |
| LQFP144 | | | Yes PDR_ON set to V_{DD} | Yes PDR_ON connected to an external power supply supervisor |
| WLCSP90 UFBGA176 LQFP176 | Yes BYPASS_REG set to V_{SS} | Yes BYPASS_REG set to V_{DD} | | |

2.2.18 Real-time clock (RTC), backup SRAM and backup registers

The backup domain of the STM32F415xx and STM32F417xx includes:

- The real-time clock (RTC)
- 4 Kbytes of backup SRAM
- 20 backup registers

The real-time clock (RTC) is an independent BCD timer/counter. Dedicated registers contain the second, minute, hour (in 12/24 hour), week day, date, month, year, in BCD (binary-coded decimal) format. Correction for 28, 29 (leap year), 30, and 31 day of the month are performed automatically. The RTC provides a programmable alarm and programmable periodic interrupts with wakeup from Stop and Standby modes. The sub-seconds value is also available in binary format.

It is clocked by a 32.768 kHz external crystal, resonator or oscillator, the internal low-power RC oscillator or the high-speed external clock divided by 128. The internal low-speed RC

has a typical frequency of 32 kHz. The RTC can be calibrated using an external 512 Hz output to compensate for any natural quartz deviation.

Two alarm registers are used to generate an alarm at a specific time and calendar fields can be independently masked for alarm comparison. To generate a periodic interrupt, a 16-bit programmable binary auto-reload downcounter with programmable resolution is available and allows automatic wakeup and periodic alarms from every 120 μ s to every 36 hours.

A 20-bit prescaler is used for the time base clock. It is by default configured to generate a time base of 1 second from a clock at 32.768 kHz.

The 4-Kbyte backup SRAM is an EEPROM-like memory area. It can be used to store data which need to be retained in V_{BAT} and standby mode. This memory area is disabled by default to minimize power consumption (see [Section 2.2.19: Low-power modes](#)). It can be enabled by software.

The backup registers are 32-bit registers used to store 80 bytes of user application data when V_{DD} power is not present. Backup registers are not reset by a system, a power reset, or when the device wakes up from the Standby mode (see [Section 2.2.19: Low-power modes](#)).

Additional 32-bit registers contain the programmable alarm subseconds, seconds, minutes, hours, day, and date.

Like backup SRAM, the RTC and backup registers are supplied through a switch that is powered either from the V_{DD} supply when present or from the V_{BAT} pin.

2.2.19 Low-power modes

The STM32F415xx and STM32F417xx support three low-power modes to achieve the best compromise between low-power consumption, short startup time and available wakeup sources:

- **Sleep mode**

In Sleep mode, only the CPU is stopped. All peripherals continue to operate and can wake up the CPU when an interrupt/event occurs.

- **Stop mode**

The Stop mode achieves the lowest power consumption while retaining the contents of SRAM and registers. All clocks in the V_{12} domain are stopped, the PLL, the HSI RC and the HSE crystal oscillators are disabled. The voltage regulator can also be put either in normal or in low-power mode.

The device can be woken up from the Stop mode by any of the EXTI line (the EXTI line source can be one of the 16 external lines, the PVD output, the RTC alarm / wakeup / tamper / time stamp events, the USB OTG FS/HS wakeup or the Ethernet wakeup).

- **Standby mode**

The Standby mode is used to achieve the lowest power consumption. The internal voltage regulator is switched off so that the entire V_{12} domain is powered off. The PLL, the HSI RC and the HSE crystal oscillators are also switched off. After entering

Standby mode, the SRAM and register contents are lost except for registers in the backup domain and the backup SRAM when selected.

The device exits the Standby mode when an external reset (NRST pin), an IWDG reset, a rising edge on the WKUP pin, or an RTC alarm / wakeup / tamper /time stamp event occurs.

The standby mode is not supported when the embedded voltage regulator is bypassed and the V₁₂ domain is controlled by an external power.

2.2.20 V_{BAT} operation

The V_{BAT} pin allows to power the device V_{BAT} domain from an external battery, an external supercapacitor, or from V_{DD} when no external battery and an external supercapacitor are present.

V_{BAT} operation is activated when V_{DD} is not present.

The V_{BAT} pin supplies the RTC, the backup registers and the backup SRAM.

Note: When the microcontroller is supplied from V_{BAT}, external interrupts and RTC alarm/events do not exit it from V_{BAT} operation.

When PDR_ON pin is not connected to V_{DD} (internal reset OFF), the V_{BAT} functionality is no more available and V_{BAT} pin should be connected to V_{DD}.

2.2.21 Timers and watchdogs

The STM32F415xx and STM32F417xx devices include two advanced-control timers, eight general-purpose timers, two basic timers and two watchdog timers.

All timer counters can be frozen in debug mode.

Table 4 compares the features of the advanced-control, general-purpose and basic timers.

Table 4. Timer feature comparison

| Timer type | Timer | Counter resolution | Counter type | Prescaler factor | DMA request generation | Capture/compare channels | Complementary output | Max interface clock (MHz) | Max timer clock (MHz) |
|------------------|------------|--------------------|-------------------|---------------------------------|------------------------|--------------------------|----------------------|---------------------------|-----------------------|
| Advanced-control | TIM1, TIM8 | 16-bit | Up, Down, Up/down | Any integer between 1 and 65536 | Yes | 4 | Yes | 84 | 168 |

Table 4. Timer feature comparison (continued)

| Timer type | Timer | Counter resolution | Counter type | Prescaler factor | DMA request generation | Capture/compare channels | Complementary output | Max interface clock (MHz) | Max timer clock (MHz) |
|-----------------|--------------|--------------------|-------------------|---------------------------------|------------------------|--------------------------|----------------------|---------------------------|-----------------------|
| General purpose | TIM2, TIM5 | 32-bit | Up, Down, Up/down | Any integer between 1 and 65536 | Yes | 4 | No | 42 | 84 |
| | TIM3, TIM4 | 16-bit | Up, Down, Up/down | Any integer between 1 and 65536 | Yes | 4 | No | 42 | 84 |
| | TIM9 | 16-bit | Up | Any integer between 1 and 65536 | No | 2 | No | 84 | 168 |
| | TIM10, TIM11 | 16-bit | Up | Any integer between 1 and 65536 | No | 1 | No | 84 | 168 |
| | TIM12 | 16-bit | Up | Any integer between 1 and 65536 | No | 2 | No | 42 | 84 |
| | TIM13, TIM14 | 16-bit | Up | Any integer between 1 and 65536 | No | 1 | No | 42 | 84 |
| Basic | TIM6, TIM7 | 16-bit | Up | Any integer between 1 and 65536 | Yes | 0 | No | 42 | 84 |

Advanced-control timers (TIM1, TIM8)

The advanced-control timers (TIM1, TIM8) can be seen as three-phase PWM generators multiplexed on 6 channels. They have complementary PWM outputs with programmable inserted dead times. They can also be considered as complete general-purpose timers. Their 4 independent channels can be used for:

- Input capture
- Output compare
- PWM generation (edge- or center-aligned modes)
- One-pulse mode output

If configured as standard 16-bit timers, they have the same features as the general-purpose TIMx timers. If configured as 16-bit PWM generators, they have full modulation capability (0-100%).

The advanced-control timer can work together with the TIMx timers via the Timer Link feature for synchronization or event chaining.

TIM1 and TIM8 support independent DMA request generation.

General-purpose timers (TIMx)

There are ten synchronizable general-purpose timers embedded in the STM32F41xxx devices (see [Table 4](#) for differences).

- **TIM2, TIM3, TIM4, TIM5**

The STM32F41xxx include 4 full-featured general-purpose timers: TIM2, TIM5, TIM3, and TIM4. The TIM2 and TIM5 timers are based on a 32-bit auto-reload up/downcounter and a 16-bit prescaler. The TIM3 and TIM4 timers are based on a 16-bit auto-reload up/downcounter and a 16-bit prescaler. They all feature 4 independent channels for input capture/output compare, PWM or one-pulse mode output. This gives up to 16 input capture/output compare/PWMs on the largest packages.

The TIM2, TIM3, TIM4, TIM5 general-purpose timers can work together, or with the other general-purpose timers and the advanced-control timers TIM1 and TIM8 via the Timer Link feature for synchronization or event chaining.

Any of these general-purpose timers can be used to generate PWM outputs.

TIM2, TIM3, TIM4, TIM5 all have independent DMA request generation. They are capable of handling quadrature (incremental) encoder signals and the digital outputs from 1 to 4 hall-effect sensors.

- **TIM9, TIM10, TIM11, TIM12, TIM13, and TIM14**

These timers are based on a 16-bit auto-reload upcounter and a 16-bit prescaler. TIM10, TIM11, TIM13, and TIM14 feature one independent channel, whereas TIM9 and TIM12 have two independent channels for input capture/output compare, PWM or one-pulse mode output. They can be synchronized with the TIM2, TIM3, TIM4, TIM5 full-featured general-purpose timers. They can also be used as simple time bases.

Basic timers TIM6 and TIM7

These timers are mainly used for DAC trigger and waveform generation. They can also be used as a generic 16-bit time base.

TIM6 and TIM7 support independent DMA request generation.

Independent watchdog

The independent watchdog is based on a 12-bit downcounter and 8-bit prescaler. It is clocked from an independent 32 kHz internal RC and as it operates independently from the main clock, it can operate in Stop and Standby modes. It can be used either as a watchdog to reset the device when a problem occurs, or as a free-running timer for application timeout management. It is hardware- or software-configurable through the option bytes.

Window watchdog

The window watchdog is based on a 7-bit downcounter that can be set as free-running. It can be used as a watchdog to reset the device when a problem occurs. It is clocked from the main clock. It has an early warning interrupt capability and the counter can be frozen in debug mode.

SysTick timer

This timer is dedicated to real-time operating systems, but could also be used as a standard downcounter. It features:

- A 24-bit downcounter
- Autoreload capability
- Maskable system interrupt generation when the counter reaches 0
- Programmable clock source.

2.2.22 Inter-integrated circuit interface (I²C)

Up to three I²C bus interfaces can operate in multimaster and slave modes. They can support the Standard-mode (up to 100 kHz) and Fast-mode (up to 400 kHz). They support the 7/10-bit addressing mode and the 7-bit dual addressing mode (as slave). A hardware CRC generation/verification is embedded.

They can be served by DMA and they support SMBus 2.0/PMBus.

2.2.23 Universal synchronous/asynchronous receiver transmitters (USART)

The STM32F415xx and STM32F417xx embed four universal synchronous/asynchronous receiver transmitters (USART1, USART2, USART3 and USART6) and two universal asynchronous receiver transmitters (UART4 and UART5).

These six interfaces provide asynchronous communication, IrDA SIR ENDEC support, multiprocessor communication mode, single-wire half-duplex communication mode and have LIN Master/Slave capability. The USART1 and USART6 interfaces are able to communicate at speeds of up to 10.5 Mbit/s. The other available interfaces communicate at up to 5.25 Mbit/s.

USART1, USART2, USART3 and USART6 also provide hardware management of the CTS and RTS signals, Smart Card mode (ISO 7816 compliant) and SPI-like communication capability. All interfaces can be served by the DMA controller.

Table 5. USART feature comparison

| USART name | Standard features | Modem (RTS/CTS) | LIN | SPI master | irDA | Smartcard (ISO 7816) | Max. baud rate in Mbit/s (oversampling by 16) | Max. baud rate in Mbit/s (oversampling by 8) | APB mapping |
|------------|-------------------|-----------------|-----|------------|------|----------------------|---|--|--------------------|
| USART1 | X | X | X | X | X | X | 5.25 | 10.5 | APB2 (max. 84 MHz) |
| USART2 | X | X | X | X | X | X | 2.62 | 5.25 | APB1 (max. 42 MHz) |
| USART3 | X | X | X | X | X | X | 2.62 | 5.25 | APB1 (max. 42 MHz) |
| UART4 | X | - | X | - | X | - | 2.62 | 5.25 | APB1 (max. 42 MHz) |
| UART5 | X | - | X | - | X | - | 2.62 | 5.25 | APB1 (max. 42 MHz) |
| USART6 | X | X | X | X | X | X | 5.25 | 10.5 | APB2 (max. 84 MHz) |

2.2.24 Serial peripheral interface (SPI)

The STM32F41xxx feature up to three SPIs in slave and master modes in full-duplex and simplex communication modes. SPI1 can communicate at up to 42 Mbits/s, SPI2 and SPI3 can communicate at up to 21 Mbit/s. The 3-bit prescaler gives 8 master mode frequencies and the frame is configurable to 8 bits or 16 bits. The hardware CRC generation/verification supports basic SD Card/MMC modes. All SPIs can be served by the DMA controller.

The SPI interface can be configured to operate in TI mode for communications in master mode and slave mode.

2.2.25 Inter-integrated sound (I²S)

Two standard I²S interfaces (multiplexed with SPI2 and SPI3) are available. They can be operated in master or slave mode, in full duplex and half-duplex communication modes, and can be configured to operate with a 16-/32-bit resolution as an input or output channel. Audio sampling frequencies from 8 kHz up to 192 kHz are supported. When either or both of the I²S interfaces is/are configured in master mode, the master clock can be output to the external DAC/CODEC at 256 times the sampling frequency.

All I²Sx can be served by the DMA controller.

2.2.26 Audio PLL (PLLI2S)

The devices feature an additional dedicated PLL for audio I²S application. It allows to achieve error-free I²S sampling clock accuracy without compromising on the CPU performance, while using USB peripherals.

The PLLI2S configuration can be modified to manage an I²S sample rate change without disabling the main PLL (PLL) used for CPU, USB and Ethernet interfaces.

The audio PLL can be programmed with very low error to obtain sampling rates ranging from 8 KHz to 192 KHz.

In addition to the audio PLL, a master clock input pin can be used to synchronize the I²S flow with an external PLL (or Codec output).

2.2.27 Secure digital input/output interface (SDIO)

An SD/SDIO/MMC host interface is available, that supports MultiMediaCard System Specification Version 4.2 in three different databus modes: 1-bit (default), 4-bit and 8-bit.

The interface allows data transfer at up to 48 MHz, and is compliant with the SD Memory Card Specification Version 2.0.

The SDIO Card Specification Version 2.0 is also supported with two different databus modes: 1-bit (default) and 4-bit.

The current version supports only one SD/SDIO/MMC4.2 card at any one time and a stack of MMC4.1 or previous.

In addition to SD/SDIO/MMC, this interface is fully compliant with the CE-ATA digital protocol Rev1.1.

2.2.28 Ethernet MAC interface with dedicated DMA and IEEE 1588 support

Peripheral available only on the STM32F417xx devices.

The STM32F417xx devices provide an IEEE-802.3-2002-compliant media access controller (MAC) for ethernet LAN communications through an industry-standard medium-independent interface (MII) or a reduced medium-independent interface (RMII). The STM32F417xx requires an external physical interface device (PHY) to connect to the physical LAN bus (twisted-pair, fiber, etc.). the PHY is connected to the STM32F417xx MII port using 17 signals for MII or 9 signals for RMII, and can be clocked using the 25 MHz (MII) from the STM32F417xx.

The STM32F417xx includes the following features:

- Supports 10 and 100 Mbit/s rates
- Dedicated DMA controller allowing high-speed transfers between the dedicated SRAM and the descriptors (see the STM32F40xxx/41xxx reference manual for details)
- Tagged MAC frame support (VLAN support)
- Half-duplex (CSMA/CD) and full-duplex operation
- MAC control sublayer (control frames) support
- 32-bit CRC generation and removal
- Several address filtering modes for physical and multicast address (multicast and group addresses)
- 32-bit status code for each transmitted or received frame
- Internal FIFOs to buffer transmit and receive frames. The transmit FIFO and the receive FIFO are both 2 Kbytes.
- Supports hardware PTP (precision time protocol) in accordance with IEEE 1588 2008 (PTP V2) with the time stamp comparator connected to the TIM2 input
- Triggers interrupt when system time becomes greater than target time

2.2.29 Controller area network (bxCAN)

The two CANs are compliant with the 2.0A and B (active) specifications with a bitrate up to 1 Mbit/s. They can receive and transmit standard frames with 11-bit identifiers as well as extended frames with 29-bit identifiers. Each CAN has three transmit mailboxes, two receive FIFOs with 3 stages and 28 shared scalable filter banks (all of them can be used even if one CAN is used). 256 bytes of SRAM are allocated for each CAN.

2.2.30 Universal serial bus on-the-go full-speed (OTG_FS)

The STM32F415xx and STM32F417xx embed an USB OTG full-speed device/host/OTG peripheral with integrated transceivers. The USB OTG FS peripheral is compliant with the USB 2.0 specification and with the OTG 1.0 specification. It has software-configurable endpoint setting and supports suspend/resume. The USB OTG full-speed controller requires a dedicated 48 MHz clock that is generated by a PLL connected to the HSE oscillator. The major features are:

- Combined Rx and Tx FIFO size of 320 × 35 bits with dynamic FIFO sizing
- Supports the session request protocol (SRP) and host negotiation protocol (HNP)
- 4 bidirectional endpoints
- 8 host channels with periodic OUT support
- HNP/SNP/IP inside (no need for any external resistor)
- For OTG/Host modes, a power switch is needed in case bus-powered devices are connected

2.2.31 Universal serial bus on-the-go high-speed (OTG_HS)

The STM32F415xx and STM32F417xx devices embed a USB OTG high-speed (up to 480 Mb/s) device/host/OTG peripheral. The USB OTG HS supports both full-speed and high-speed operations. It integrates the transceivers for full-speed operation (12 MB/s) and features a UTMI low-pin interface (ULPI) for high-speed operation (480 MB/s). When using the USB OTG HS in HS mode, an external PHY device connected to the ULPI is required.

The USB OTG HS peripheral is compliant with the USB 2.0 specification and with the OTG 1.0 specification. It has software-configurable endpoint setting and supports suspend/resume. The USB OTG full-speed controller requires a dedicated 48 MHz clock that is generated by a PLL connected to the HSE oscillator.

The major features are:

- Combined Rx and Tx FIFO size of 1 Kbit × 35 with dynamic FIFO sizing
- Supports the session request protocol (SRP) and host negotiation protocol (HNP)
- 6 bidirectional endpoints
- 12 host channels with periodic OUT support
- Internal FS OTG PHY support
- External HS or HS OTG operation supporting ULPI in SDR mode. The OTG PHY is connected to the microcontroller ULPI port through 12 signals. It can be clocked using the 60 MHz output.
- Internal USB DMA
- HNP/SNP/IP inside (no need for any external resistor)
- for OTG/Host modes, a power switch is needed in case bus-powered devices are connected

2.2.32 Digital camera interface (DCMI)

The camera interface is *not* available in STM32F415xx devices.

STM32F417xx products embed a camera interface that can connect with camera modules and CMOS sensors through an 8-bit to 14-bit parallel interface, to receive video data. The camera interface can sustain a data transfer rate up to 54 Mbyte/s at 54 MHz. It features:

- Programmable polarity for the input pixel clock and synchronization signals
- Parallel data communication can be 8-, 10-, 12- or 14-bit
- Supports 8-bit progressive video monochrome or raw bayer format, YCbCr 4:2:2 progressive video, RGB 565 progressive video or compressed data (like JPEG)
- Supports continuous mode or snapshot (a single frame) mode
- Capability to automatically crop the image

2.2.33 Cryptographic acceleration

The STM32F415xx and STM32F417xx devices embed a cryptographic accelerator. This cryptographic accelerator provides a set of hardware acceleration for the advanced cryptographic algorithms usually needed to provide confidentiality, authentication, data integrity and non repudiation when exchanging messages with a peer.

These algorithms consists of:

Encryption/Decryption

- DES/TDES (data encryption standard/triple data encryption standard): ECB (electronic codebook) and CBC (cipher block chaining) chaining algorithms, 64-, 128- or 192-bit key
- AES (advanced encryption standard): ECB, CBC and CTR (counter mode) chaining algorithms, 128, 192 or 256-bit key

Universal hash

- SHA-1 (secure hash algorithm)
- MD5
- HMAC

The cryptographic accelerator supports DMA request generation.

2.2.34 True random number generator (RNG)

All STM32F415xx and STM32F417xx products embed a true random number generator (RNG) that provides full entropy outputs to the application as 32-bit samples. It is composed of a live entropy source (analog) and an internal conditioning component.

2.2.35 General-purpose input/outputs (GPIOs)

Each of the GPIO pins can be configured by software as output (push-pull or open-drain, with or without pull-up or pull-down), as input (floating, with or without pull-up or pull-down) or as peripheral alternate function. Most of the GPIO pins are shared with digital or analog alternate functions. All GPIOs are high-current-capable and have speed selection to better manage internal noise, power consumption and electromagnetic emission.

The I/O configuration can be locked if needed by following a specific sequence in order to avoid spurious writing to the I/Os registers.

Fast I/O handling allowing maximum I/O toggling up to 84 MHz.

2.2.36 Analog-to-digital converters (ADCs)

Three 12-bit analog-to-digital converters are embedded and each ADC shares up to 16 external channels, performing conversions in the single-shot or scan mode. In scan mode, automatic conversion is performed on a selected group of analog inputs.

Additional logic functions embedded in the ADC interface allow:

- Simultaneous sample and hold
- Interleaved sample and hold

The ADC can be served by the DMA controller. An analog watchdog feature allows very precise monitoring of the converted voltage of one, some or all selected channels. An interrupt is generated when the converted voltage is outside the programmed thresholds.

To synchronize A/D conversion and timers, the ADCs could be triggered by any of TIM1, TIM2, TIM3, TIM4, TIM5, or TIM8 timer.

2.2.37 Temperature sensor

The temperature sensor has to generate a voltage that varies linearly with temperature. The conversion range is between 1.8 V and 3.6 V. The temperature sensor is internally connected to the ADC1_IN16 input channel which is used to convert the sensor output voltage into a digital value.

As the offset of the temperature sensor varies from chip to chip due to process variation, the internal temperature sensor is mainly suitable for applications that detect temperature changes instead of absolute temperatures. If an accurate temperature reading is needed, then an external temperature sensor part should be used.

2.2.38 Digital-to-analog converter (DAC)

The two 12-bit buffered DAC channels can be used to convert two digital signals into two analog voltage signal outputs.

This dual digital Interface supports the following features:

- two DAC converters: one for each output channel
- 8-bit or 12-bit monotonic output
- left or right data alignment in 12-bit mode
- synchronized update capability
- noise-wave generation
- triangular-wave generation
- dual DAC channel independent or simultaneous conversions
- DMA capability for each channel
- external triggers for conversion
- input voltage reference V_{REF+}

Eight DAC trigger inputs are used in the device. The DAC channels are triggered through the timer update outputs that are also connected to different DMA streams.

2.2.39 Serial wire JTAG debug port (SWJ-DP)

The Arm SWJ-DP interface is embedded, and is a combined JTAG and serial wire debug port that enables either a serial wire debug or a JTAG probe to be connected to the target.

Debug is performed using 2 pins only instead of 5 required by the JTAG (JTAG pins could be re-use as GPIO with alternate function): the JTAG TMS and TCK pins are shared with SWDIO and SWCLK, respectively, and a specific sequence on the TMS pin is used to switch between JTAG-DP and SW-DP.

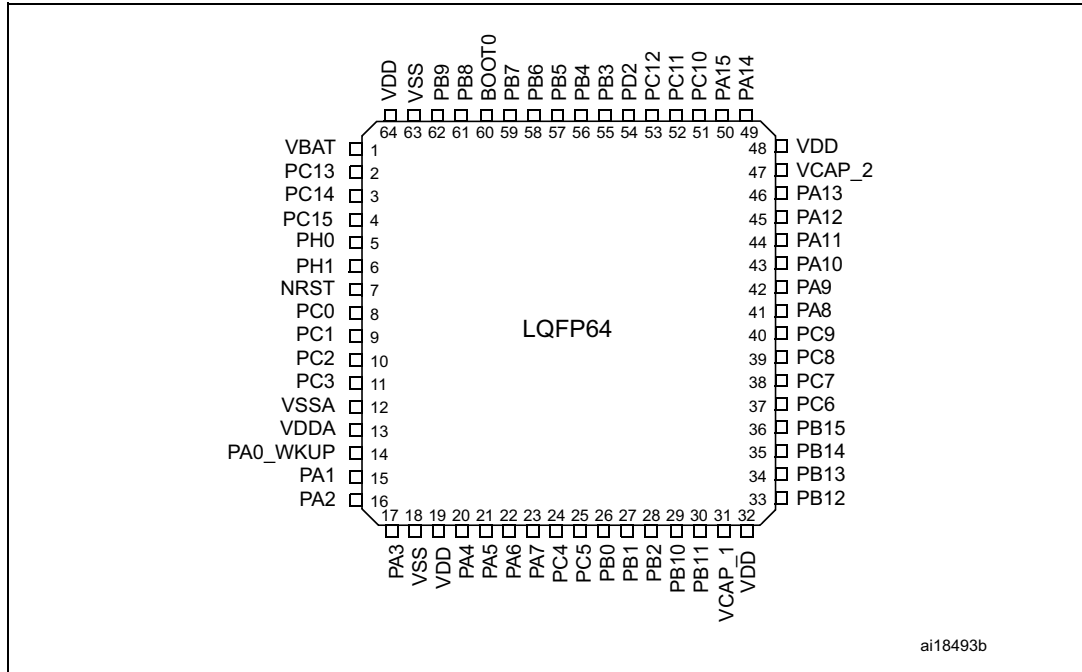
2.2.40 Embedded Trace Macrocell™

The Arm Embedded Trace Macrocell provides a greater visibility of the instruction and data flow inside the CPU core by streaming compressed data at a very high rate from the STM32F41xxx through a small number of ETM pins to an external hardware trace port analyser (TPA) device. The TPA is connected to a host computer using USB, Ethernet, or any other high-speed channel. Real-time instruction and data flow activity can be recorded and then formatted for display on the host computer that runs the debugger software. TPA hardware is commercially available from common development tool vendors.

The Embedded Trace Macrocell operates with third party debugger software tools.

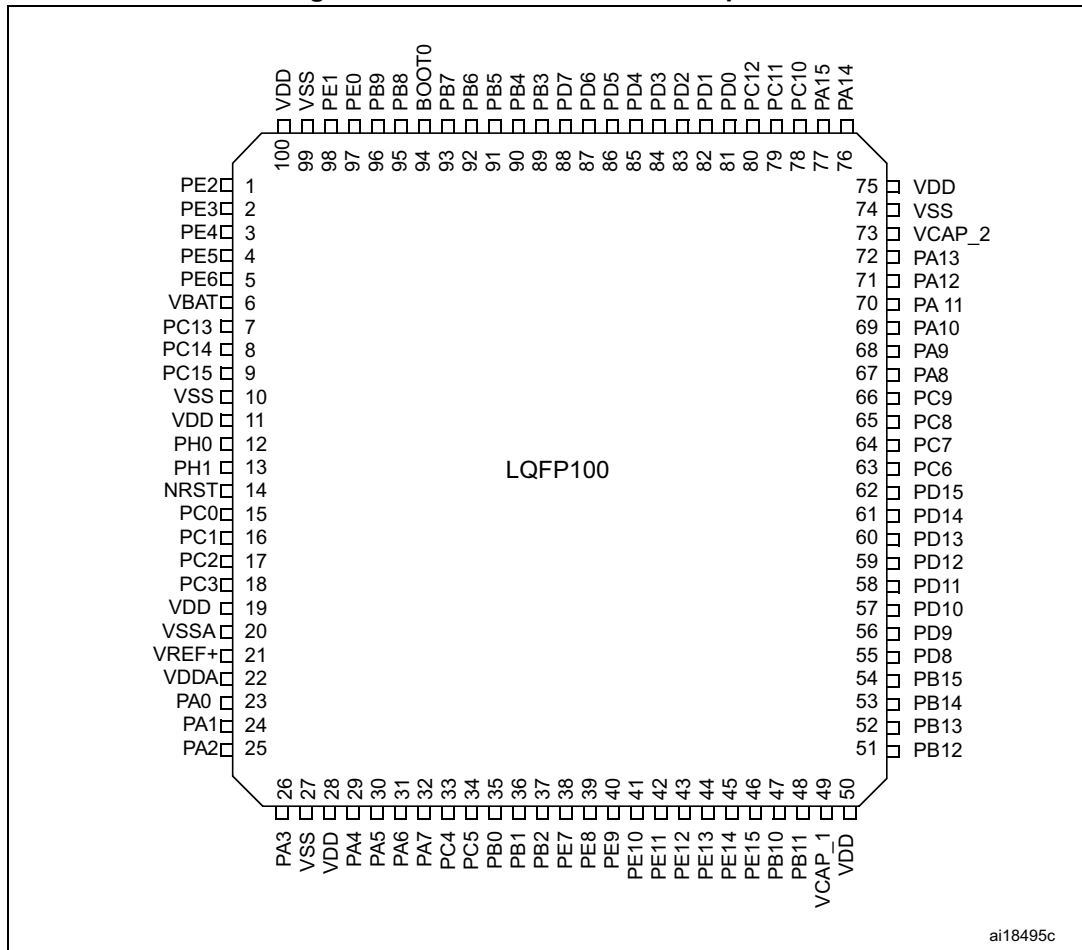
3 Pinouts and pin description

Figure 12. STM32F41xxx LQFP64 pinout



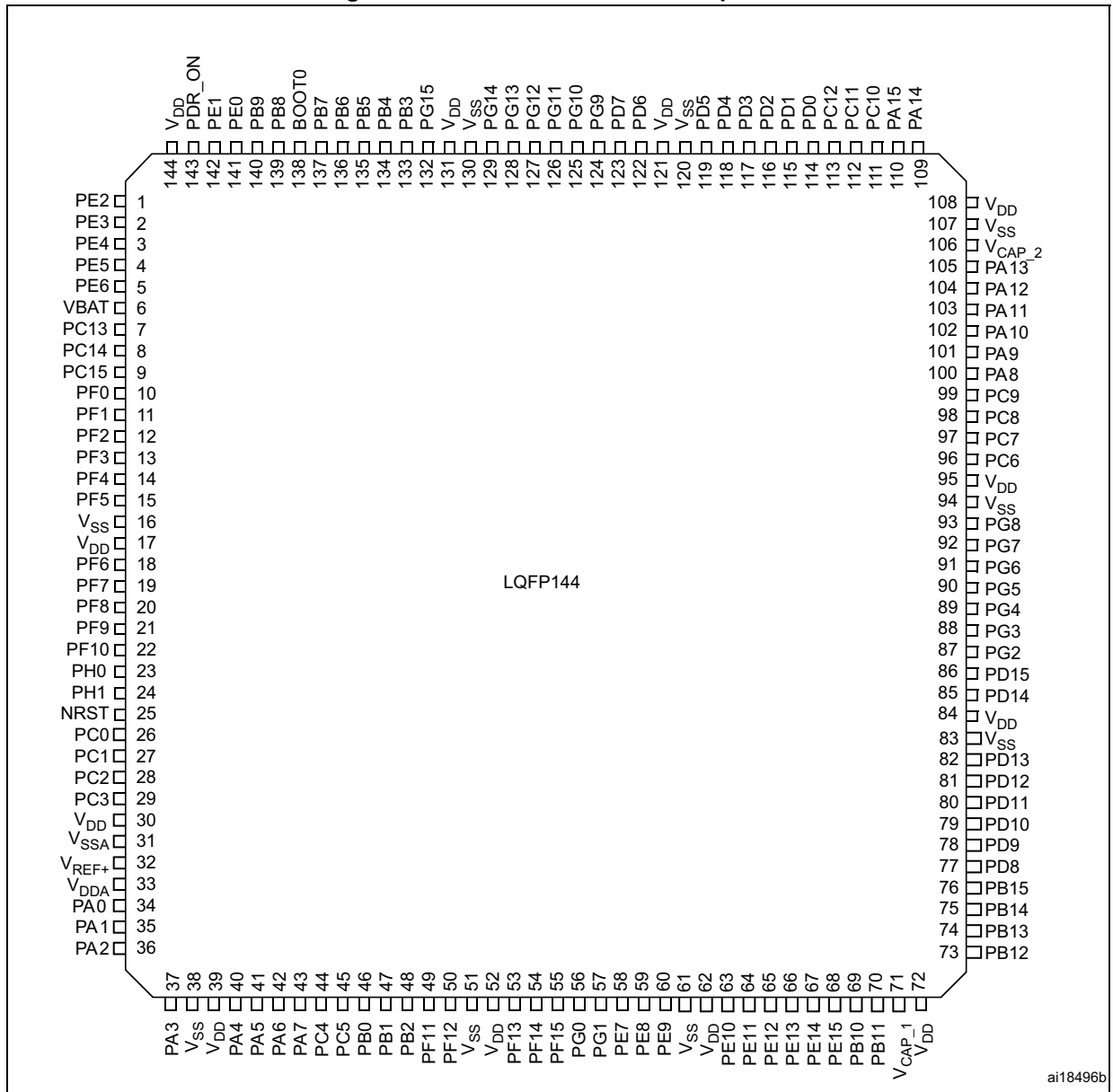
1. The above figure shows the package top view.

Figure 13. STM32F41xxx LQFP100 pinout



1. The above figure shows the package top view.

Figure 14. STM32F41xxx LQFP144 pinout



1. The above figure shows the package top view.

Figure 15. STM32F41xxx LQFP176 pinout



1. The above figure shows the package top view.

Figure 16. STM32F41xxx UFBGA176 ballout

| | 1 | 2 | 3 | 4 | 5 | 6 | 7 | 8 | 9 | 10 | 11 | 12 | 13 | 14 | 15 | | | | | |
|---|-------|-----|------|------------|-----|--------|------|------|------|--------|------|------|------|------|------|--------|------|------|------|-----|
| A | PE3 | PE2 | PE1 | PE0 | PB8 | PB5 | PG14 | PG13 | PB4 | PB3 | PD7 | PC12 | PA15 | PA14 | PA13 | | | | | |
| B | PE4 | PE5 | PE6 | PB9 | PB7 | PB6 | PG15 | PG12 | PG11 | PG10 | PD6 | PD0 | PC11 | PC10 | PA12 | | | | | |
| C | VBAT | PI7 | PI6 | PI5 | VDD | PDR_ON | VDD | VDD | VDD | PG9 | PD5 | PD1 | PI3 | PI2 | PA11 | | | | | |
| D | PC13 | PI8 | PI9 | PI4 | VSS | BOOT0 | VSS | VSS | VSS | PD4 | PD3 | PD2 | PH15 | PH1 | PA10 | | | | | |
| E | PC14 | PF0 | PI10 | PI11 | | | | | | | | PH13 | PH14 | PI0 | PA9 | | | | | |
| F | PC15 | VSS | VDD | PH2 | VSS | | | | | VSS | | | | | VSS | VCAP_2 | PC9 | PA8 | | |
| G | PH0 | VSS | VDD | PH3 | VSS | | | | | VSS | | | | | VSS | VDD | PC8 | PC7 | | |
| H | PH1 | PF2 | PF1 | PH4 | VSS | | | | | VSS | | | | | VSS | VDD | PG8 | PC6 | | |
| J | NRST | PF3 | PF4 | PH5 | VSS | | | | | VSS | | | | | VDD | VDD | PG7 | PG6 | | |
| K | PF7 | PF6 | PF5 | VDD | VSS | | | | | VSS | | | | | PH12 | PG5 | PG4 | PG3 | | |
| L | PF10 | PF9 | PF8 | BYPASS_REG | | | | | | | | | | | | | PH11 | PH10 | PD15 | PG2 |
| M | VSSA | PC0 | PC1 | PC2 | PC3 | PB2 | PG1 | VSS | VSS | VCAP_1 | PH6 | PH8 | PH9 | PD14 | PD13 | | | | | |
| N | VREF- | PA1 | PA0 | PA4 | PC4 | PF13 | PG0 | VDD | VDD | VDD | PE13 | PH7 | PD12 | PD11 | PD10 | | | | | |
| P | VREF+ | PA2 | PA6 | PA5 | PC5 | PF12 | PF15 | PE8 | PE9 | PE11 | PE14 | PB12 | PB13 | PD9 | PD8 | | | | | |
| R | VDDA | PA3 | PA7 | PB1 | PB0 | PF11 | PF14 | PE7 | PE10 | PE12 | PE15 | PB10 | PB11 | PB14 | PB15 | | | | | |

ai18497b

1. This figure shows the package top view.

Figure 17. STM32F41xxx WLCSP90 ballout

| | | | | | | | | | | |
|---|------|------------|--------|-------|------|------|--------|------|------|--------|
| | 10 | 9 | 8 | 7 | 6 | 5 | 4 | 3 | 2 | 1 |
| A | VBAT | PC13 | PDR_ON | BOOT0 | PB4 | PD7 | PD4 | PC12 | PA14 | VDD |
| B | PC14 | PC15 | VDD | PB7 | PB3 | PD6 | PD2 | PA15 | PI1 | VCAP_2 |
| C | PA0 | VSS | PB9 | PB6 | PD5 | PD1 | PC11 | PI0 | PA12 | PA11 |
| D | PC2 | BYPASS_REG | PB8 | PB5 | PD0 | PC10 | PA13 | PA10 | PA9 | PA8 |
| E | PC0 | PC3 | VSS | VSS | VDD | VSS | VDD | PC9 | PC8 | PC7 |
| F | PH0 | PH1 | PA1 | VDD | PE10 | PE14 | VCAP_1 | PC6 | PD14 | PD15 |
| G | NRST | VDDA | PA5 | PB0 | PE7 | PE13 | PE15 | PD10 | PD12 | PD11 |
| H | VSSA | PA3 | PA6 | PB1 | PE8 | PE12 | PB10 | PD9 | PD8 | PB15 |
| J | PA2 | PA4 | PA7 | PB2 | PE9 | PE11 | PB11 | PB12 | PB14 | PB13 |

MS30402V1

1. This figure shows the package bump view.

Table 6. Legend/abbreviations used in the pinout table

| Name | Abbreviation | Definition |
|----------------------|--------------|---|
| Pin name | | Unless otherwise specified in brackets below the pin name, the pin function during and after reset is the same as the actual pin name |
| Pin type | S | Supply pin |
| | I | Input only pin |
| | I/O | Input / output pin |
| I/O structure | FT | 5 V tolerant I/O |
| | TTa | 3.3 V tolerant I/O directly connected to ADC |
| | B | Dedicated BOOT0 pin |
| | RST | Bidirectional reset pin with embedded weak pull-up resistor |
| Notes | | Unless otherwise specified by a note, all I/Os are set as floating inputs during and after reset |
| Alternate functions | | Functions selected through GPIOx_AFR registers |
| Additional functions | | Functions directly selected/enabled through peripheral registers |

Table 7. STM32F41xxx pin and ball definitions⁽¹⁾

| Pin number | | | | | | Pin name (function after reset) ⁽²⁾ | Pin type | I / O structure | Notes | Alternate functions | Additional functions |
|------------|---------|---------|---------|----------|---------|--|----------|-----------------|------------|--|------------------------------------|
| LQFP64 | WLCSP90 | LQFP100 | LQFP144 | UFBGA176 | LQFP176 | | | | | | |
| - | - | 1 | 1 | A2 | 1 | PE2 | I/O | FT | - | TRACECLK/ FSMC_A23 / ETH_MII_TXD3 / EVENTOUT | - |
| - | - | 2 | 2 | A1 | 2 | PE3 | I/O | FT | - | TRACED0/FSMC_A19 / EVENTOUT | - |
| - | - | 3 | 3 | B1 | 3 | PE4 | I/O | FT | - | TRACED1/FSMC_A20 / DCMI_D4/ EVENTOUT | - |
| - | - | 4 | 4 | B2 | 4 | PE5 | I/O | FT | - | TRACED2 / FSMC_A21 / TIM9_CH1 / DCMI_D6 / EVENTOUT | - |
| - | - | 5 | 5 | B3 | 5 | PE6 | I/O | FT | - | TRACED3 / FSMC_A22 / TIM9_CH2 / DCMI_D7 / EVENTOUT | - |
| 1 | A10 | 6 | 6 | C1 | 6 | V _{BAT} | S | - | - | - | - |
| - | - | - | - | D2 | 7 | PI8 | I/O | FT | (3)(4) | EVENTOUT | RTC_TAMP1, RTC_TAMP2, RTC_TS |
| 2 | A9 | 7 | 7 | D1 | 8 | PC13 | I/O | FT | (3)(4) | EVENTOUT | RTC_OUT, RTC_TAMP1, RTC_TS |
| 3 | B10 | 8 | 8 | E1 | 9 | PC14/OSC32_IN (PC14) | I/O | FT | (3)(4) | EVENTOUT | OSC32_IN ⁽⁵⁾ |
| 4 | B9 | 9 | 9 | F1 | 10 | PC15/ OSC32_OUT (PC15) | I/O | FT | (3)(4) | EVENTOUT | OSC32_OUT ⁽⁵⁾ |
| - | - | - | - | D3 | 11 | PI9 | I/O | FT | - | CAN1_RX / EVENTOUT | - |
| - | - | - | - | E3 | 12 | PI10 | I/O | FT | - | ETH_MII_RX_ER / EVENTOUT | - |
| - | - | - | - | E4 | 13 | PI11 | I/O | FT | - | OTG_HS_ULPI_DIR / EVENTOUT | - |
| - | - | - | - | F2 | 14 | V _{SS} | S | - | - | - | - |
| - | - | - | - | F3 | 15 | V _{DD} | S | - | - | - | - |
| - | - | - | 10 | E2 | 16 | PF0 | I/O | FT | - | FSMC_A0 / I2C2_SDA / EVENTOUT | - |

Table 7. STM32F41xxx pin and ball definitions⁽¹⁾ (continued)

| Pin number | | | | | | Pin name (function after reset) ⁽²⁾ | Pin type | I/O structure | Notes | Alternate functions | Additional functions |
|------------|---------|---------|---------|----------|---------|--|----------|---------------|-------|---|-------------------------|
| LQFP64 | WLCSP90 | LQFP100 | LQFP144 | UFBGA176 | LQFP176 | | | | | | |
| - | - | - | 11 | H3 | 17 | PF1 | I/O | FT | - | FSMC_A1 / I2C2_SCL / EVENTOUT | - |
| - | - | - | 12 | H2 | 18 | PF2 | I/O | FT | - | FSMC_A2 / I2C2_SMBA / EVENTOUT | - |
| - | - | - | 13 | J2 | 19 | PF3 | I/O | FT | (5) | FSMC_A3/EVENTOUT | ADC3_IN9 |
| - | - | - | 14 | J3 | 20 | PF4 | I/O | FT | (5) | FSMC_A4/EVENTOUT | ADC3_IN14 |
| - | - | - | 15 | K3 | 21 | PF5 | I/O | FT | (5) | FSMC_A5/EVENTOUT | ADC3_IN15 |
| - | C9 | 10 | 16 | G2 | 22 | V _{SS} | S | - | - | - | - |
| - | B8 | 11 | 17 | G3 | 23 | V _{DD} | S | - | - | - | - |
| - | - | - | 18 | K2 | 24 | PF6 | I/O | FT | (5) | TIM10_CH1 / FSMC_NIORD/ EVENTOUT | ADC3_IN4 |
| - | - | - | 19 | K1 | 25 | PF7 | I/O | FT | (5) | TIM11_CH1/FSMC_NREG/ EVENTOUT | ADC3_IN5 |
| - | - | - | 20 | L3 | 26 | PF8 | I/O | FT | (5) | TIM13_CH1 / FSMC_NIOWR/ EVENTOUT | ADC3_IN6 |
| - | - | - | 21 | L2 | 27 | PF9 | I/O | FT | (5) | TIM14_CH1 / FSMC_CD/ EVENTOUT | ADC3_IN7 |
| - | - | - | 22 | L1 | 28 | PF10 | I/O | FT | (5) | FSMC_INTR/ EVENTOUT | ADC3_IN8 |
| 5 | F10 | 12 | 23 | G1 | 29 | PH0/OSC_IN (PH0) | I/O | FT | - | EVENTOUT | OSC_IN ⁽⁵⁾ |
| 6 | F9 | 13 | 24 | H1 | 30 | PH1/OSC_OUT (PH1) | I/O | FT | - | EVENTOUT | OSC_OUT ⁽⁵⁾ |
| 7 | G10 | 14 | 25 | J1 | 31 | NRST | I/O | RST | - | - | - |
| 8 | E10 | 15 | 26 | M2 | 32 | PC0 | I/O | FT | (5) | OTG_HS_ULPI_STP/ EVENTOUT | ADC123_IN10 |
| 9 | - | 16 | 27 | M3 | 33 | PC1 | I/O | FT | (5) | ETH_MDC/ EVENTOUT | ADC123_IN11 |
| 10 | D10 | 17 | 28 | M4 | 34 | PC2 | I/O | FT | (5) | SPI2_MISO / OTG_HS_ULPI_DIR / ETH_MII_TXD2 /I2S2ext_SD/ EVENTOUT | ADC123_IN12 |

Table 7. STM32F41xxx pin and ball definitions⁽¹⁾ (continued)

| Pin number | | | | | | Pin name (function after reset) ⁽²⁾ | Pin type | I/O structure | Notes | Alternate functions | Additional functions |
|------------|---------|---------|---------|----------|---------|--|----------|---------------|-------|---|------------------------------------|
| LQFP64 | WLCSP90 | LQFP100 | LQFP144 | UFBGA176 | LQFP176 | | | | | | |
| 11 | E9 | 18 | 29 | M5 | 35 | PC3 | I/O | FT | (5) | SPI2_MOSI / I2S2_SD / OTG_HS_ULPI_NXT / ETH_MII_TX_CLK/ EVENTOUT | ADC123_IN13 |
| - | - | 19 | 30 | - | 36 | V _{DD} | S | - | - | - | - |
| 12 | H10 | 20 | 31 | M1 | 37 | V _{SSA} | S | - | - | - | - |
| - | - | - | - | N1 | - | V _{REF-} | S | - | - | - | - |
| - | - | 21 | 32 | P1 | 38 | V _{REF+} | S | - | - | - | - |
| 13 | G9 | 22 | 33 | R1 | 39 | V _{DDA} | S | - | - | - | - |
| 14 | C10 | 23 | 34 | N3 | 40 | PA0/WKUP (PA0) | I/O | FT | (6) | USART2_CTS/ UART4_TX/ ETH_MII_CRS / TIM2_CH1_ETR/ TIM5_CH1 / TIM8_ETR/ EVENTOUT | ADC123_IN0/WKU P ⁽⁵⁾ |
| 15 | F8 | 24 | 35 | N2 | 41 | PA1 | I/O | FT | (5) | USART2_RTS / UART4_RX/ ETH_RMII_REF_CLK / ETH_MII_RX_CLK / TIM5_CH2 / TIM2_CH2/ EVENTOUT | ADC123_IN1 |
| 16 | J10 | 25 | 36 | P2 | 42 | PA2 | I/O | FT | (5) | USART2_TX/TIM5_CH3 / TIM9_CH1 / TIM2_CH3 / ETH_MDIO/ EVENTOUT | ADC123_IN2 |
| - | - | - | - | F4 | 43 | PH2 | I/O | FT | - | ETH_MII_CRS/EVENTOUT | - |
| - | - | - | - | G4 | 44 | PH3 | I/O | FT | - | ETH_MII_COL/EVENTOUT | - |
| - | - | - | - | H4 | 45 | PH4 | I/O | FT | - | I2C2_SCL / OTG_HS_ULPI_NXT/ EVENTOUT | - |
| - | - | - | - | J4 | 46 | PH5 | I/O | FT | - | I2C2_SDA/ EVENTOUT | - |
| 17 | H9 | 26 | 37 | R2 | 47 | PA3 | I/O | FT | (5) | USART2_RX/TIM5_CH4 / TIM9_CH2 / TIM2_CH4 / OTG_HS_ULPI_D0 / ETH_MII_COL/ EVENTOUT | ADC123_IN3 |
| 18 | E5 | 27 | 38 | - | - | V _{SS} | S | - | - | - | - |

Table 7. STM32F41xxx pin and ball definitions⁽¹⁾ (continued)

| Pin number | | | | | | Pin name (function after reset) ⁽²⁾ | Pin type | I/O structure | Notes | Alternate functions | Additional functions |
|------------|---------|---------|---------|----------|---------|--|----------|---------------|-------|---|-------------------------|
| LQFP64 | WLCSP90 | LQFP100 | LQFP144 | UFBGA176 | LQFP176 | | | | | | |
| | D9 | | | L4 | 48 | BYPASS_REG | I | FT | - | - | - |
| 19 | E4 | 28 | 39 | K4 | 49 | V _{DD} | S | - | - | - | - |
| 20 | J9 | 29 | 40 | N4 | 50 | PA4 | I/O | TTa | (5) | SPI1_NSS / SPI3_NSS / USART2_CK / DCMI_HSYNC / OTG_HS_SOF/ I2S3_WS/ EVENTOUT | ADC12_IN4 /DAC_OUT1 |
| 21 | G8 | 30 | 41 | P4 | 51 | PA5 | I/O | TTa | (5) | SPI1_SCK/ OTG_HS_ULPI_CK / TIM2_CH1_ETR/ TIM8_CH1N/ EVENTOUT | ADC12_IN5/DAC_ OUT2 |
| 22 | H8 | 31 | 42 | P3 | 52 | PA6 | I/O | FT | (5) | SPI1_MISO / TIM8_BKIN/TIM13_CH1 / DCMI_PIXCLK /TIM3_CH1 / TIM1_BKIN/ EVENTOUT | ADC12_IN6 |
| 23 | J8 | 32 | 43 | R3 | 53 | PA7 | I/O | FT | (5) | SPI1_MOSI/ TIM8_CH1N / TIM14_CH1/TIM3_CH2/ ETH_MII_RX_DV / TIM1_CH1N / ETH_RMII_CRS_DV/ EVENTOUT | ADC12_IN7 |
| 24 | - | 33 | 44 | N5 | 54 | PC4 | I/O | FT | (5) | ETH_RMII_RX_D0 / ETH_MII_RX_D0/ EVENTOUT | ADC12_IN14 |
| 25 | - | 34 | 45 | P5 | 55 | PC5 | I/O | FT | (5) | ETH_RMII_RX_D1 / ETH_MII_RX_D1/ EVENTOUT | ADC12_IN15 |
| 26 | G7 | 35 | 46 | R5 | 56 | PB0 | I/O | FT | (5) | TIM3_CH3 / TIM8_CH2N/ OTG_HS_ULPI_D1/ ETH_MII_RXD2 / TIM1_CH2N/ EVENTOUT | ADC12_IN8 |
| 27 | H7 | 36 | 47 | R4 | 57 | PB1 | I/O | FT | (5) | TIM3_CH4 / TIM8_CH3N/ OTG_HS_ULPI_D2/ ETH_MII_RXD3 / TIM1_CH3N/ EVENTOUT | ADC12_IN9 |
| 28 | J7 | 37 | 48 | M6 | 58 | PB2/BOOT1 (PB2) | I/O | FT | - | EVENTOUT | - |

Table 7. STM32F41xxx pin and ball definitions⁽¹⁾ (continued)

| Pin number | | | | | | Pin name (function after reset) ⁽²⁾ | Pin type | I / O structure | Notes | Alternate functions | Additional functions |
|------------|---------|---------|---------|----------|---------|--|----------|-----------------|-------|---------------------------------|-------------------------|
| LQFP64 | WLCSP90 | LQFP100 | LQFP144 | UFBGA176 | LQFP176 | | | | | | |
| - | - | - | 49 | R6 | 59 | PF11 | I/O | FT | - | DCMI_D12/ EVENTOUT | - |
| - | - | - | 50 | P6 | 60 | PF12 | I/O | FT | - | FSMC_A6/ EVENTOUT | - |
| - | - | - | 51 | M8 | 61 | V _{SS} | S | - | - | - | - |
| - | - | - | 52 | N8 | 62 | V _{DD} | S | - | - | - | - |
| - | - | - | 53 | N6 | 63 | PF13 | I/O | FT | - | FSMC_A7/ EVENTOUT | - |
| - | - | - | 54 | R7 | 64 | PF14 | I/O | FT | - | FSMC_A8/ EVENTOUT | - |
| - | - | - | 55 | P7 | 65 | PF15 | I/O | FT | - | FSMC_A9/ EVENTOUT | - |
| - | - | - | 56 | N7 | 66 | PG0 | I/O | FT | - | FSMC_A10/ EVENTOUT | - |
| - | - | - | 57 | M7 | 67 | PG1 | I/O | FT | - | FSMC_A11/ EVENTOUT | - |
| - | G6 | 38 | 58 | R8 | 68 | PE7 | I/O | FT | - | FSMC_D4/TIM1_ETR/ EVENTOUT | - |
| - | H6 | 39 | 59 | P8 | 69 | PE8 | I/O | FT | - | FSMC_D5/ TIM1_CH1N/ EVENTOUT | - |
| - | J6 | 40 | 60 | P9 | 70 | PE9 | I/O | FT | - | FSMC_D6/TIM1_CH1/ EVENTOUT | - |
| - | - | - | 61 | M9 | 71 | V _{SS} | S | - | - | - | - |
| - | - | - | 62 | N9 | 72 | V _{DD} | S | - | - | - | - |
| - | F6 | 41 | 63 | R9 | 73 | PE10 | I/O | FT | - | FSMC_D7/TIM1_CH2N/ EVENTOUT | - |
| - | J5 | 42 | 64 | P10 | 74 | PE11 | I/O | FT | - | FSMC_D8/TIM1_CH2/ EVENTOUT | - |
| - | H5 | 43 | 65 | R10 | 75 | PE12 | I/O | FT | - | FSMC_D9/TIM1_CH3N/ EVENTOUT | - |
| - | G5 | 44 | 66 | N11 | 76 | PE13 | I/O | FT | - | FSMC_D10/TIM1_CH3/ EVENTOUT | - |
| - | F5 | 45 | 67 | P11 | 77 | PE14 | I/O | FT | - | FSMC_D11/TIM1_CH4/ EVENTOUT | - |
| - | G4 | 46 | 68 | R11 | 78 | PE15 | I/O | FT | - | FSMC_D12/TIM1_BKIN/ EVENTOUT | - |

Table 7. STM32F41xxx pin and ball definitions⁽¹⁾ (continued)

| Pin number | | | | | | Pin name (function after reset) ⁽²⁾ | Pin type | I/O structure | Notes | Alternate functions | Additional functions |
|------------|---------|---------|---------|----------|---------|--|----------|---------------|-------|--|-------------------------|
| LQFP64 | WLCSP90 | LQFP100 | LQFP144 | UFBGA176 | LQFP176 | | | | | | |
| 29 | H4 | 47 | 69 | R12 | 79 | PB10 | I/O | FT | - | SPI2_SCK / I2S2_CK / I2C2_SCL/ USART3_TX / OTG_HS_ULPI_D3 / ETH_MII_RX_ER / TIM2_CH3/ EVENTOUT | - |
| 30 | J4 | 48 | 70 | R13 | 80 | PB11 | I/O | FT | - | I2C2_SDA/USART3_RX/ OTG_HS_ULPI_D4 / ETH_RMII_TX_EN/ ETH_MII_TX_EN / TIM2_CH4/ EVENTOUT | - |
| 31 | F4 | 49 | 71 | M10 | 81 | V _{CAP_1} | S | | - | - | - |
| 32 | - | 50 | 72 | N10 | 82 | V _{DD} | S | | - | - | - |
| - | - | - | - | M11 | 83 | PH6 | I/O | FT | - | I2C2_SMBA / TIM12_CH1 / ETH_MII_RXD2/ EVENTOUT | - |
| - | - | - | - | N12 | 84 | PH7 | I/O | FT | - | I2C3_SCL / ETH_MII_RXD3/ EVENTOUT | - |
| - | - | - | - | M12 | 85 | PH8 | I/O | FT | - | I2C3_SDA / DCMI_HSYNC/ EVENTOUT | - |
| - | - | - | - | M13 | 86 | PH9 | I/O | FT | - | I2C3_SMBA / TIM12_CH2/ DCMI_D0/ EVENTOUT | - |
| - | - | - | - | L13 | 87 | PH10 | I/O | FT | - | TIM5_CH1 / DCMI_D1/ EVENTOUT | - |
| - | - | - | - | L12 | 88 | PH11 | I/O | FT | - | TIM5_CH2 / DCMI_D2/ EVENTOUT | - |
| - | - | - | - | K12 | 89 | PH12 | I/O | FT | - | TIM5_CH3 / DCMI_D3/ EVENTOUT | - |
| - | - | - | - | H12 | 90 | V _{SS} | S | | - | - | - |
| - | - | - | - | J12 | 91 | V _{DD} | S | | - | - | - |

Table 7. STM32F41xxx pin and ball definitions⁽¹⁾ (continued)

| Pin number | | | | | | Pin name (function after reset) ⁽²⁾ | Pin type | I / O structure | Notes | Alternate functions | Additional functions |
|------------|---------|---------|---------|----------|---------|--|----------|-----------------|-------|--|-------------------------|
| LQFP64 | WLCSP90 | LQFP100 | LQFP144 | UFBGA176 | LQFP176 | | | | | | |
| 33 | J3 | 51 | 73 | P12 | 92 | PB12 | I/O | FT | - | SPI2_NSS / I2S2_WS / I2C2_SMBA/ USART3_CK/TIM1_BKIN / CAN2_RX / OTG_HS_ULPI_D5/ ETH_RMII_TXD0 / ETH_MII_TXD0/ OTG_HS_ID/ EVENTOUT | - |
| 34 | J1 | 52 | 74 | P13 | 93 | PB13 | I/O | FT | - | SPI2_SCK / I2S2_CK / USART3_CTS/ TIM1_CH1N /CAN2_TX / OTG_HS_ULPI_D6 / ETH_RMII_TXD1 / ETH_MII_TXD1/ EVENTOUT | OTG_HS_VBUS |
| 35 | J2 | 53 | 75 | R14 | 94 | PB14 | I/O | FT | - | SPI2_MISO/ TIM1_CH2N / TIM12_CH1 / OTG_HS_DM/ USART3_RTS / TIM8_CH2N/I2S2ext_SD/ EVENTOUT | - |
| 36 | H1 | 54 | 76 | R15 | 95 | PB15 | I/O | FT | - | SPI2_MOSI / I2S2_SD/ TIM1_CH3N / TIM8_CH3N / TIM12_CH2 / OTG_HS_DP/ EVENTOUT | RTC_REFIN |
| - | H2 | 55 | 77 | P15 | 96 | PD8 | I/O | FT | - | FSMC_D13 / USART3_TX/ EVENTOUT | - |
| - | H3 | 56 | 78 | P14 | 97 | PD9 | I/O | FT | - | FSMC_D14 / USART3_RX/ EVENTOUT | - |
| - | G3 | 57 | 79 | N15 | 98 | PD10 | I/O | FT | - | FSMC_D15 / USART3_CK/ EVENTOUT | - |
| - | G1 | 58 | 80 | N14 | 99 | PD11 | I/O | FT | - | FSMC_CLE / FSMC_A16/USART3_CTS/ EVENTOUT | - |
| - | G2 | 59 | 81 | N13 | 100 | PD12 | I/O | FT | - | FSMC_ALE/ FSMC_A17/TIM4_CH1 / USART3_RTS/ EVENTOUT | - |

Table 7. STM32F41xxx pin and ball definitions⁽¹⁾ (continued)

| Pin number | | | | | | Pin name (function after reset) ⁽²⁾ | Pin type | I / O structure | Notes | Alternate functions | Additional functions |
|------------|---------|---------|---------|----------|---------|--|----------|-----------------|-------|--|-------------------------|
| LQFP64 | WLCSP90 | LQFP100 | LQFP144 | UFBGA176 | LQFP176 | | | | | | |
| - | - | 60 | 82 | M15 | 101 | PD13 | I/O | FT | - | FSMC_A18/TIM4_CH2/ EVENTOUT | - |
| - | - | - | 83 | - | 102 | V _{SS} | S | | - | - | - |
| - | - | - | 84 | J13 | 103 | V _{DD} | S | | - | - | - |
| - | F2 | 61 | 85 | M14 | 104 | PD14 | I/O | FT | - | FSMC_D0/TIM4_CH3/ EVENTOUT/ EVENTOUT | - |
| - | F1 | 62 | 86 | L14 | 105 | PD15 | I/O | FT | - | FSMC_D1/TIM4_CH4/ EVENTOUT | - |
| - | - | - | 87 | L15 | 106 | PG2 | I/O | FT | - | FSMC_A12/ EVENTOUT | - |
| - | - | - | 88 | K15 | 107 | PG3 | I/O | FT | - | FSMC_A13/ EVENTOUT | - |
| - | - | - | 89 | K14 | 108 | PG4 | I/O | FT | - | FSMC_A14/ EVENTOUT | - |
| - | - | - | 90 | K13 | 109 | PG5 | I/O | FT | - | FSMC_A15/ EVENTOUT | - |
| - | - | - | 91 | J15 | 110 | PG6 | I/O | FT | - | FSMC_INT2/ EVENTOUT | - |
| - | - | - | 92 | J14 | 111 | PG7 | I/O | FT | - | FSMC_INT3/USART6_CK/ EVENTOUT | - |
| - | - | - | 93 | H14 | 112 | PG8 | I/O | FT | - | USART6_RTS / ETH_PPS_OUT/ EVENTOUT | - |
| - | - | - | 94 | G12 | 113 | V _{SS} | S | | - | - | - |
| - | - | - | 95 | H13 | 114 | V _{DD} | S | | - | - | - |
| 37 | F3 | 63 | 96 | H15 | 115 | PC6 | I/O | FT | - | I2S2_MCK / TIM8_CH1/SDIO_D6 / USART6_TX / DCMI_D0/TIM3_CH1/ EVENTOUT | - |
| 38 | E1 | 64 | 97 | G15 | 116 | PC7 | I/O | FT | - | I2S3_MCK / TIM8_CH2/SDIO_D7 / USART6_RX / DCMI_D1/TIM3_CH2/ EVENTOUT | - |
| 39 | E2 | 65 | 98 | G14 | 117 | PC8 | I/O | FT | - | TIM8_CH3/SDIO_D0 /TIM3_CH3/ USART6_CK / DCMI_D2/ EVENTOUT | - |

Table 7. STM32F41xxx pin and ball definitions⁽¹⁾ (continued)

| Pin number | | | | | | Pin name (function after reset) ⁽²⁾ | Pin type | I / O structure | Notes | Alternate functions | Additional functions |
|------------|---------|---------|---------|----------|---------|--|----------|-----------------|-------|---|-------------------------|
| LQFP64 | WLCSP90 | LQFP100 | LQFP144 | UFBGA176 | LQFP176 | | | | | | |
| 40 | E3 | 66 | 99 | F14 | 118 | PC9 | I/O | FT | - | I2S_CKIN/ MCO2 / TIM8_CH4/SDIO_D1 / /I2C3_SDA / DCMI_D3 / TIM3_CH4/ EVENTOUT | - |
| 41 | D1 | 67 | 100 | F15 | 119 | PA8 | I/O | FT | - | MCO1 / USART1_CK/ TIM1_CH1/ I2C3_SCL/ OTG_FS_SOF/ EVENTOUT | - |
| 42 | D2 | 68 | 101 | E15 | 120 | PA9 | I/O | FT | - | USART1_TX/ TIM1_CH2 / I2C3_SMBA / DCMI_D0/ EVENTOUT | OTG_FS_VBUS |
| 43 | D3 | 69 | 102 | D15 | 121 | PA10 | I/O | FT | - | USART1_RX/ TIM1_CH3/ OTG_FS_ID/DCMI_D1/ EVENTOUT | - |
| 44 | C1 | 70 | 103 | C15 | 122 | PA11 | I/O | FT | - | USART1_CTS / CAN1_RX / TIM1_CH4 / OTG_FS_DM/ EVENTOUT | - |
| 45 | C2 | 71 | 104 | B15 | 123 | PA12 | I/O | FT | - | USART1_RTS / CAN1_TX/ TIM1_ETR/ OTG_FS_DP/ EVENTOUT | - |
| 46 | D4 | 72 | 105 | A15 | 124 | PA13 (JTMS-SWDIO) | I/O | FT | - | JTMS-SWDIO/ EVENTOUT | - |
| 47 | B1 | 73 | 106 | F13 | 125 | V _{CAP_2} | S | - | - | - | - |
| - | E7 | 74 | 107 | F12 | 126 | V _{SS} | S | - | - | - | - |
| 48 | E6 | 75 | 108 | G13 | 127 | V _{DD} | S | - | - | - | - |
| - | - | - | - | E12 | 128 | PH13 | I/O | FT | - | TIM8_CH1N / CAN1_TX/ EVENTOUT | - |
| - | - | - | - | E13 | 129 | PH14 | I/O | FT | - | TIM8_CH2N / DCMI_D4/ EVENTOUT | - |
| - | - | - | - | D13 | 130 | PH15 | I/O | FT | - | TIM8_CH3N / DCMI_D11/ EVENTOUT | - |
| - | C3 | - | - | E14 | 131 | PI0 | I/O | FT | - | TIM5_CH4 / SPI2_NSS / I2S2_WS / DCMI_D13/ EVENTOUT | - |
| - | B2 | - | - | D14 | 132 | PI1 | I/O | FT | - | SPI2_SCK / I2S2_CK / DCMI_D8/ EVENTOUT | - |

Table 7. STM32F41xxx pin and ball definitions⁽¹⁾ (continued)

| Pin number | | | | | | Pin name (function after reset) ⁽²⁾ | Pin type | I/O structure | Notes | Alternate functions | Additional functions |
|------------|---------|---------|---------|----------|---------|--|----------|---------------|-------|---|-------------------------|
| LQFP64 | WLCSP90 | LQFP100 | LQFP144 | UFBGA176 | LQFP176 | | | | | | |
| - | - | - | - | C14 | 133 | PI2 | I/O | FT | - | TIM8_CH4 / SPI2_MISO / DCMI_D9 / I2S2ext_SD/ EVENTOUT | - |
| - | - | - | - | C13 | 134 | PI3 | I/O | FT | - | TIM8_ETR / SPI2_MOSI / I2S2_SD / DCMI_D10/ EVENTOUT | - |
| - | - | - | - | D9 | 135 | V _{SS} | S | - | - | - | - |
| - | - | - | - | C9 | 136 | V _{DD} | S | - | - | - | - |
| 49 | A2 | 76 | 109 | A14 | 137 | PA14 (JTCK/SWCLK) | I/O | FT | - | JTCK-SWCLK/ EVENTOUT | - |
| 50 | B3 | 77 | 110 | A13 | 138 | PA15 (JTDI) | I/O | FT | - | JTDI/ SPI3_NSS/ I2S3_WS/TIM2_CH1_ETR / SPI1_NSS / EVENTOUT | - |
| 51 | D5 | 78 | 111 | B14 | 139 | PC10 | I/O | FT | - | SPI3_SCK / I2S3_CK/ UART4_TX/SDIO_D2 / DCMI_D8 / USART3_TX/ EVENTOUT | - |
| 52 | C4 | 79 | 112 | B13 | 140 | PC11 | I/O | FT | - | UART4_RX/ SPI3_MISO / SDIO_D3 / DCMI_D4/USART3_RX / I2S3ext_SD/ EVENTOUT | - |
| 53 | A3 | 80 | 113 | A12 | 141 | PC12 | I/O | FT | - | UART5_TX/SDIO_CK / DCMI_D9 / SPI3_MOSI /I2S3_SD / USART3_CK/ EVENTOUT | - |
| - | D6 | 81 | 114 | B12 | 142 | PD0 | I/O | FT | - | FSMC_D2/CAN1_RX/ EVENTOUT | - |
| - | C5 | 82 | 115 | C12 | 143 | PD1 | I/O | FT | - | FSMC_D3 / CAN1_TX/ EVENTOUT | - |
| 54 | B4 | 83 | 116 | D12 | 144 | PD2 | I/O | FT | - | TIM3_ETR/UART5_RX/ SDIO_CMD / DCMI_D11/ EVENTOUT | - |
| - | - | 84 | 117 | D11 | 145 | PD3 | I/O | FT | - | FSMC_CLK/ USART2_CTS/ EVENTOUT | - |

Table 7. STM32F41xxx pin and ball definitions⁽¹⁾ (continued)

| Pin number | | | | | | Pin name (function after reset) ⁽²⁾ | Pin type | I/O structure | Notes | Alternate functions | Additional functions |
|------------|---------|---------|---------|----------|---------|--|----------|---------------|-------|--|-------------------------|
| LQFP64 | WLCSP90 | LQFP100 | LQFP144 | UFBGA176 | LQFP176 | | | | | | |
| - | A4 | 85 | 118 | D10 | 146 | PD4 | I/O | FT | - | FSMC_NOE/ USART2_RTS/ EVENTOUT | - |
| - | C6 | 86 | 119 | C11 | 147 | PD5 | I/O | FT | - | FSMC_NWE/USART2_TX/ EVENTOUT | - |
| - | - | - | 120 | D8 | 148 | V _{SS} | S | - | - | - | - |
| - | - | - | 121 | C8 | 149 | V _{DD} | S | - | - | - | - |
| - | B5 | 87 | 122 | B11 | 150 | PD6 | I/O | FT | - | FSMC_NWAIT/ USART2_RX/ EVENTOUT | - |
| - | A5 | 88 | 123 | A11 | 151 | PD7 | I/O | FT | - | USART2_CK/FSMC_NE1/ FSMC_NCE2/ EVENTOUT | - |
| - | - | - | 124 | C10 | 152 | PG9 | I/O | FT | - | USART6_RX / FSMC_NE2/FSMC_NCE3/ EVENTOUT | - |
| - | - | - | 125 | B10 | 153 | PG10 | I/O | FT | - | FSMC_NCE4_1/ FSMC_NE3/ EVENTOUT | - |
| - | - | - | 126 | B9 | 154 | PG11 | I/O | FT | - | FSMC_NCE4_2 / ETH_MII_TX_EN/ ETH_RMII_TX_EN/ EVENTOUT | - |
| - | - | - | 127 | B8 | 155 | PG12 | I/O | FT | - | FSMC_NE4 / USART6_RTS/ EVENTOUT | - |
| - | - | - | 128 | A8 | 156 | PG13 | I/O | FT | - | FSMC_A24 / USART6_CTS /ETH_MII_TXD0/ ETH_RMII_TXD0/ EVENTOUT | - |
| - | - | - | 129 | A7 | 157 | PG14 | I/O | FT | - | FSMC_A25 / USART6_TX /ETH_MII_TXD1/ ETH_RMII_TXD1/ EVENTOUT | - |
| - | E8 | - | 130 | D7 | 158 | V _{SS} | S | - | - | - | - |
| - | F7 | - | 131 | C7 | 159 | V _{DD} | S | - | - | - | - |
| - | - | - | 132 | B7 | 160 | PG15 | I/O | FT | - | USART6_CTS / DCMI_D13/ EVENTOUT | - |

Table 7. STM32F41xxx pin and ball definitions⁽¹⁾ (continued)

| Pin number | | | | | | Pin name (function after reset) ⁽²⁾ | Pin type | I/O structure | Notes | Alternate functions | Additional functions |
|------------|---------|---------|---------|----------|---------|--|----------|---------------|-------|---|-------------------------|
| LQFP64 | WLCSP90 | LQFP100 | LQFP144 | UFBGA176 | LQFP176 | | | | | | |
| 55 | B6 | 89 | 133 | A10 | 161 | PB3 (JTDO/ TRACESWO) | I/O | FT | - | JTDO/ TRACESWO/ SPI3_SCK / I2S3_CK / TIM2_CH2 / SPI1_SCK/ EVENTOUT | - |
| 56 | A6 | 90 | 134 | A9 | 162 | PB4 (NJTRST) | I/O | FT | - | NJTRST/ SPI3_MISO / TIM3_CH1 / SPI1_MISO / I2S3ext_SD/ EVENTOUT | - |
| 57 | D7 | 91 | 135 | A6 | 163 | PB5 | I/O | FT | - | I2C1_SMBA/ CAN2_RX / OTG_HS_ULPI_D7 / ETH_PPS_OUT/TIM3_CH2 / SPI1_MOSI/ SPI3_MOSI / DCMI_D10 / I2S3_SD/ EVENTOUT | - |
| 58 | C7 | 92 | 136 | B6 | 164 | PB6 | I/O | FT | - | I2C1_SCL/ TIM4_CH1 / CAN2_TX / DCMI_D5/USART1_TX/ EVENTOUT | - |
| 59 | B7 | 93 | 137 | B5 | 165 | PB7 | I/O | FT | - | I2C1_SDA / FSMC_NL / DCMI_VSYNC / USART1_RX/ TIM4_CH2/ EVENTOUT | - |
| 60 | A7 | 94 | 138 | D6 | 166 | BOOT0 | I | B | - | - | V _{PP} |
| 61 | D8 | 95 | 139 | A5 | 167 | PB8 | I/O | FT | - | TIM4_CH3/SDIO_D4/ TIM10_CH1 / DCMI_D6 / ETH_MII_TXD3 / I2C1_SCL/ CAN1_RX/ EVENTOUT | - |
| 62 | C8 | 96 | 140 | B4 | 168 | PB9 | I/O | FT | - | SPI2_NSS/ I2S2_WS / TIM4_CH4/ TIM11_CH1/ SDIO_D5 / DCMI_D7 / I2C1_SDA / CAN1_TX/ EVENTOUT | - |
| - | - | 97 | 141 | A4 | 169 | PE0 | I/O | FT | - | TIM4_ETR / FSMC_NBL0 / DCMI_D2/ EVENTOUT | - |
| - | - | 98 | 142 | A3 | 170 | PE1 | I/O | FT | - | FSMC_NBL1 / DCMI_D3/ EVENTOUT | - |
| 63 | - | 99 | - | D5 | - | V _{SS} | S | - | - | - | - |

Table 7. STM32F41xxx pin and ball definitions⁽¹⁾ (continued)

| Pin number | | | | | | Pin name (function after reset) ⁽²⁾ | Pin type | I / O structure | Notes | Alternate functions | Additional functions |
|------------|---------|---------|---------|----------|---------|--|----------|-----------------|-------|---------------------------------------|-------------------------|
| LQFP64 | WLCSP90 | LQFP100 | LQFP144 | UFBGA176 | LQFP176 | | | | | | |
| - | A8 | - | 143 | C6 | 171 | PDR_ON | I | FT | - | - | - |
| 64 | A1 | 100 | 144 | C5 | 172 | V _{DD} | S | - | - | - | - |
| - | - | - | - | D4 | 173 | PI4 | I/O | FT | - | TIM8_BKIN / DCMI_D5/ EVENTOUT | - |
| - | - | - | - | C4 | 174 | PI5 | I/O | FT | - | TIM8_CH1 / DCMI_VSYNC/ EVENTOUT | - |
| - | - | - | - | C3 | 175 | PI6 | I/O | FT | - | TIM8_CH2 / DCMI_D6/ EVENTOUT | - |
| - | - | - | - | C2 | 176 | PI7 | I/O | FT | - | TIM8_CH3 / DCMI_D7/ EVENTOUT | - |

1. UFBGA176 F6, F7, F8, F9, F10, G6, G7, G8, G9, G10, H6, H7, H8, H9, H10, J6, J7, J8, J9, J10, K6, K7, K8, K9 and K10 balls are connected to V_{SS} for heat dissipation and package mechanical stability.
2. Function availability depends on the chosen device.
3. PC13, PC14, PC15 and PI8 are supplied through the power switch. Since the switch only sinks a limited amount of current (3 mA), the use of GPIOs PC13 to PC15 and PI8 in output mode is limited:
 - The speed should not exceed 2 MHz with a maximum load of 30 pF.
 - These I/Os must not be used as a current source (e.g. to drive an LED).
4. Main function after the first backup domain power-up. Later on, it depends on the contents of the RTC registers even after reset (because these registers are not reset by the main reset). For details on how to manage these I/Os, refer to the RTC register description sections in the STM32F4xx reference manual, available from the STMicroelectronics website: www.st.com.
5. FT = 5 V tolerant except when in analog mode or oscillator mode (for PC14, PC15, PH0 and PH1).
6. If the device is delivered in an UFBGA176 or WLCSP90 and the BYPASS_REG pin is set to VDD (Regulator off/internal reset ON mode), then PA0 is used as an internal Reset (active low).

Table 8. FSMC pin definition

| Pins ⁽¹⁾ | FSMC | | | | LQFP100 ⁽²⁾ | WLCSP90 ⁽²⁾ |
|---------------------|------|--------------------|---------------|-------------|------------------------|------------------------|
| | CF | NOR/PSRAM/ SRAM | NOR/PSRAM Mux | NAND 16 bit | | |
| PE2 | - | A23 | A23 | - | Yes | - |
| PE3 | - | A19 | A19 | - | Yes | - |
| PE4 | - | A20 | A20 | - | Yes | - |
| PE5 | - | A21 | A21 | - | Yes | - |
| PE6 | - | A22 | A22 | - | Yes | - |

Table 8. FSMC pin definition (continued)

| Pins ⁽¹⁾ | FSMC | | | | LQFP100 ⁽²⁾ | WLCSP90 ⁽²⁾ |
|---------------------|-------|--------------------|---------------|-------------|------------------------|------------------------|
| | CF | NOR/PSRAM/ SRAM | NOR/PSRAM Mux | NAND 16 bit | | |
| PF0 | A0 | A0 | - | - | - | - |
| PF1 | A1 | A1 | - | - | - | - |
| PF2 | A2 | A2 | - | - | - | - |
| PF3 | A3 | A3 | - | - | - | - |
| PF4 | A4 | A4 | - | - | - | - |
| PF5 | A5 | A5 | - | - | - | - |
| PF6 | NIORD | - | - | - | - | - |
| PF7 | NREG | - | - | - | - | - |
| PF8 | NIOWR | - | - | - | - | - |
| PF9 | CD | - | - | - | - | - |
| PF10 | INTR | - | - | - | - | - |
| PF12 | A6 | A6 | - | - | - | - |
| PF13 | A7 | A7 | - | - | - | - |
| PF14 | A8 | A8 | - | - | - | - |
| PF15 | A9 | A9 | - | - | - | - |
| PG0 | A10 | A10 | - | - | - | - |
| PG1 | | A11 | - | - | - | - |
| PE7 | D4 | D4 | DA4 | D4 | Yes | Yes |
| PE8 | D5 | D5 | DA5 | D5 | Yes | Yes |
| PE9 | D6 | D6 | DA6 | D6 | Yes | Yes |
| PE10 | D7 | D7 | DA7 | D7 | Yes | Yes |
| PE11 | D8 | D8 | DA8 | D8 | Yes | Yes |
| PE12 | D9 | D9 | DA9 | D9 | Yes | Yes |
| PE13 | D10 | D10 | DA10 | D10 | Yes | Yes |
| PE14 | D11 | D11 | DA11 | D11 | Yes | Yes |
| PE15 | D12 | D12 | DA12 | D12 | Yes | Yes |
| PD8 | D13 | D13 | DA13 | D13 | Yes | Yes |
| PD9 | D14 | D14 | DA14 | D14 | Yes | Yes |
| PD10 | D15 | D15 | DA15 | D15 | Yes | Yes |
| PD11 | - | A16 | A16 | CLE | Yes | Yes |
| PD12 | - | A17 | A17 | ALE | Yes | Yes |
| PD13 | - | A18 | A18 | - | Yes | - |
| PD14 | D0 | D0 | DA0 | D0 | Yes | Yes |

Table 8. FSMC pin definition (continued)

| Pins ⁽¹⁾ | FSMC | | | | LQFP100 ⁽²⁾ | WLCSP90 ⁽²⁾ |
|---------------------|--------|--------------------|---------------|-------------|------------------------|------------------------|
| | CF | NOR/PSRAM/ SRAM | NOR/PSRAM Mux | NAND 16 bit | | |
| PD15 | D1 | D1 | DA1 | D1 | Yes | Yes |
| PG2 | - | A12 | - | - | - | - |
| PG3 | - | A13 | - | - | - | - |
| PG4 | - | A14 | - | - | - | - |
| PG5 | - | A15 | - | - | - | - |
| PG6 | - | - | - | INT2 | - | - |
| PG7 | - | - | - | INT3 | - | - |
| PD0 | D2 | D2 | DA2 | D2 | Yes | Yes |
| PD1 | D3 | D3 | DA3 | D3 | Yes | Yes |
| PD3 | - | CLK | CLK | - | Yes | - |
| PD4 | NOE | NOE | NOE | NOE | Yes | Yes |
| PD5 | NWE | NWE | NWE | NWE | Yes | Yes |
| PD6 | NWAIT | NWAIT | NWAIT | NWAIT | Yes | Yes |
| PD7 | - | NE1 | NE1 | NCE2 | Yes | Yes |
| PG9 | - | NE2 | NE2 | NCE3 | - | - |
| PG10 | NCE4_1 | NE3 | NE3 | - | - | - |
| PG11 | NCE4_2 | - | - | - | - | - |
| PG12 | - | NE4 | NE4 | - | - | - |
| PG13 | - | A24 | A24 | - | - | - |
| PG14 | - | A25 | A25 | - | - | - |
| PB7 | - | NADV | NADV | - | Yes | Yes |
| PE0 | - | NBL0 | NBL0 | - | Yes | - |
| PE1 | - | NBL1 | NBL1 | - | Yes | - |

1. Full FSMC features are available on LQFP144, LQFP176, and UFBGA176. The features available on smaller packages are given in the dedicated package column.
2. Ports F and G are not available in devices delivered in 100-pin packages.



Table 9. Alternate function mapping

| Port | AF0 | AF1 | AF2 | AF3 | AF4 | AF5 | AF6 | AF7 | AF8 | AF9 | AF10 | AF11 | AF12 | AF13 | AF14 | AF15 | |
|--------|------|----------------------|--------------|---------------|-----------|-------------------------|----------------------|---------------------|-----------------|---------------------|----------------|----------------|------------------------------------|------------|-------------|----------|----------|
| | SYS | TIM1/2 | TIM3/4/5 | TIM8/9/10 /11 | I2C1/2/3 | SPI1/SPI2/ I2S2/I2S2ext | SPI3/I2Sext /I2S3 | USART1/2/3/ I2S3ext | UART4/5/ USART6 | CAN1/2 TIM12/13/ 14 | OTG_FS/ OTG_HS | ETH | FSMC/SDIO /OTG_FS | DCMI | | | |
| Port A | PA0 | - | TIM2_CH1_ETR | TIM5_CH1 | TIM8_ETR | - | - | - | USART2_CTS | UART4_TX | - | - | ETH_MII_CRS | - | - | - | EVENTOUT |
| | PA1 | - | TIM2_CH2 | TIM5_CH2 | - | - | - | - | USART2_RTS | UART4_RX | - | - | ETH_MII_RX_CLK ETH_RMII_REF_CLK | - | - | - | EVENTOUT |
| | PA2 | - | TIM2_CH3 | TIM5_CH3 | TIM9_CH1 | - | - | - | USART2_TX | - | - | - | ETH_MDIO | - | - | - | EVENTOUT |
| | PA3 | - | TIM2_CH4 | TIM5_CH4 | TIM9_CH2 | - | - | - | USART2_RX | - | - | OTG_HS_ULPI_D0 | ETH_MII_COL | - | - | - | EVENTOUT |
| | PA4 | - | - | - | - | - | SPI1_NSS | SPI3_NSS /I2S3_WS | USART2_CK | - | - | - | - | OTG_HS_SOF | DCMI_HSYNC | - | EVENTOUT |
| | PA5 | - | TIM2_CH1_ETR | - | TIM8_CH1N | - | SPI1_SCK | - | - | - | - | OTG_HS_ULPI_CK | - | - | - | - | EVENTOUT |
| | PA6 | - | TIM1_BKIN | TIM3_CH1 | TIM8_BKIN | - | SPI1_MISO | - | - | - | TIM13_CH1 | - | - | - | DCMI_PIXCLK | - | EVENTOUT |
| | PA7 | - | TIM1_CH1N | TIM3_CH2 | TIM8_CH1N | - | SPI1_MOSI | - | - | - | TIM14_CH1 | - | ETH_MII_RX_DV ETH_RMII_CRS_DV | - | - | - | EVENTOUT |
| | PA8 | MCO1 | TIM1_CH1 | - | - | I2C3_SCL | - | - | USART1_CK | - | - | OTG_FS_SOF | - | - | - | - | EVENTOUT |
| | PA9 | - | TIM1_CH2 | - | - | I2C3_SMBA | - | - | USART1_TX | - | - | - | - | - | DCMI_D0 | - | EVENTOUT |
| | PA10 | - | TIM1_CH3 | - | - | - | - | - | USART1_RX | - | - | OTG_FS_ID | - | - | DCMI_D1 | - | EVENTOUT |
| | PA11 | - | TIM1_CH4 | - | - | - | - | - | USART1_CTS | - | CAN1_RX | OTG_FS_DM | - | - | - | - | EVENTOUT |
| | PA12 | - | TIM1_ETR | - | - | - | - | - | USART1_RTS | - | CAN1_TX | OTG_FS_DP | - | - | - | - | EVENTOUT |
| | PA13 | JTMS-SWDIO | - | - | - | - | - | - | - | - | - | - | - | - | - | - | EVENTOUT |
| | PA14 | JTCK-SWCLK | - | - | - | - | - | - | - | - | - | - | - | - | - | - | EVENTOUT |
| PA15 | JTDI | TIM2_CH1 TIM2_ETR | - | - | - | SPI1_NSS | SPI3_NSS/ I2S3_WS | - | - | - | - | - | - | - | - | EVENTOUT | |



Table 9. Alternate function mapping (continued)

| Port | AF0 | AF1 | AF2 | AF3 | AF4 | AF5 | AF6 | AF7 | AF8 | AF9 | AF10 | AF11 | AF12 | AF13 | AF14 | AF15 | |
|--------|-----------|----------------|-----------|--------------|-----------|------------------------|------------------|--------------------|----------------|--------------------|---------------|----------------|---------------------------------|-----------|-------------|----------|----------|
| | SYS | TIM1/2 | TIM3/4/5 | TIM8/9/10/11 | I2C1/2/3 | SPI1/SPI2/I2S2/I2S2ext | SPI3/I2Sext/I2S3 | USART1/2/3/I2S3ext | UART4/5/USART6 | CAN1/2/TIM12/13/14 | OTG_FS/OTG_HS | ETH | FSMC/SDIO/OTG_FS | DCMI | | | |
| Port B | PB0 | - | TIM1_CH2N | TIM3_CH3 | TIM8_CH2N | - | - | - | - | - | - | OTG_HS_ULPI_D1 | ETH_MII_RXD2 | - | - | EVENTOUT | |
| | PB1 | - | TIM1_CH3N | TIM3_CH4 | TIM8_CH3N | - | - | - | - | - | - | OTG_HS_ULPI_D2 | ETH_MII_RXD3 | - | - | EVENTOUT | |
| | PB2 | - | - | - | - | - | - | - | - | - | - | - | - | - | - | EVENTOUT | |
| | PB3 | JTDO/TRACES WO | TIM2_CH2 | - | - | - | SPI1_SCK | SPI3_SCK/I2S3_CK | - | - | - | - | - | - | - | - | EVENTOUT |
| | PB4 | NJTRST | - | TIM3_CH1 | - | - | SPI1_MISO | SPI3_MISO | I2S3ext_SD | - | - | - | - | - | - | - | EVENTOUT |
| | PB5 | - | - | TIM3_CH2 | - | I2C1_SMB_A | SPI1_MOSI | SPI3_MOSI/I2S3_SD | - | - | CAN2_RX | OTG_HS_ULPI_D7 | ETH_PPS_OUT | - | DCMI_D10 | - | EVENTOUT |
| | PB6 | - | - | TIM4_CH1 | - | I2C1_SCL | - | - | USART1_TX | - | CAN2_TX | - | - | - | DCMI_D5 | - | EVENTOUT |
| | PB7 | - | - | TIM4_CH2 | - | I2C1_SDA | - | - | USART1_RX | - | - | - | - | FSMC_NL | DCMI_VSYN_C | - | EVENTOUT |
| | PB8 | - | - | TIM4_CH3 | TIM10_CH1 | I2C1_SCL | - | - | - | - | CAN1_RX | - | ETH_MII_TXD3 | SDIO_D4 | DCMI_D6 | - | EVENTOUT |
| | PB9 | - | - | TIM4_CH4 | TIM11_CH1 | I2C1_SDA | SPI2_NSS/I2S2_WS | - | - | - | CAN1_TX | - | - | SDIO_D5 | DCMI_D7 | - | EVENTOUT |
| | PB10 | - | TIM2_CH3 | - | - | I2C2_SCL | SPI2_SCK/I2S2_CK | - | USART3_TX | - | - | OTG_HS_ULPI_D3 | ETH_MII_RX_ER | - | - | - | EVENTOUT |
| | PB11 | - | TIM2_CH4 | - | - | I2C2_SDA | - | - | USART3_RX | - | - | OTG_HS_ULPI_D4 | ETH_MII_TX_EN ETH_RMII_TX_EN | - | - | - | EVENTOUT |
| | PB12 | - | TIM1_BKIN | - | - | I2C2_SMBA | SPI2_NSS/I2S2_WS | - | USART3_CK | - | CAN2_RX | OTG_HS_ULPI_D5 | ETH_MII_TXD0 ETH_RMII_TXD0 | OTG_HS_ID | - | - | EVENTOUT |
| | PB13 | - | TIM1_CH1N | - | - | - | SPI2_SCK/I2S2_CK | - | USART3_CTS | - | CAN2_TX | OTG_HS_ULPI_D6 | ETH_MII_TXD1 ETH_RMII_TXD1 | - | - | - | EVENTOUT |
| | PB14 | - | TIM1_CH2N | - | TIM8_CH2N | - | SPI2_MISO | I2S2ext_SD | USART3_RTS | - | TIM12_CH1 | - | - | OTG_HS_DM | - | - | EVENTOUT |
| PB15 | RTC_REFIN | TIM1_CH3N | - | TIM8_CH3N | - | SPI2_MOSI/I2S2_SD | - | - | - | TIM12_CH2 | - | - | OTG_HS_DP | - | - | EVENTOUT | |



Table 9. Alternate function mapping (continued)

| Port | AF0 | AF1 | AF2 | AF3 | AF4 | AF5 | AF6 | AF7 | AF8 | AF9 | AF10 | AF11 | AF12 | AF13 | AF14 | AF15 | |
|--------|------|--------|----------|--------------|----------|------------------------|------------------|--------------------|----------------|--------------------|---------------|-----------------|------------------|---------|---------|----------|----------|
| | SYS | TIM1/2 | TIM3/4/5 | TIM8/9/10/11 | I2C1/2/3 | SPI1/SPI2/I2S2/I2S2ext | SPI3/I2Sext/I2S3 | USART1/2/3/I2S3ext | UART4/5/USART6 | CAN1/2/TIM12/13/14 | OTG_FS/OTG_HS | ETH | FSMC/SDIO/OTG_FS | DCMI | | | |
| Port C | PC0 | - | - | - | - | - | - | - | - | - | - | OTG_HS_ULPI_STP | - | - | - | EVENTOUT | |
| | PC1 | - | - | - | - | - | - | - | - | - | - | ETH_MDC | - | - | - | EVENTOUT | |
| | PC2 | - | - | - | - | - | SPI2_MISO | I2S2ext_SD | - | - | - | OTG_HS_ULPI_DIR | ETH_MII_TXD2 | - | - | EVENTOUT | |
| | PC3 | - | - | - | - | - | SPI2_MOSI | I2S2_SD | - | - | - | OTG_HS_ULPI_NXT | ETH_MII_TX_CLK | - | - | EVENTOUT | |
| | PC4 | - | - | - | - | - | - | - | - | - | - | ETH_MII_RXD0 | ETH_RMII_RXD0 | - | - | EVENTOUT | |
| | PC5 | - | - | - | - | - | - | - | - | - | - | ETH_MII_RXD1 | ETH_RMII_RXD1 | - | - | EVENTOUT | |
| | PC6 | - | - | TIM3_CH1 | TIM8_CH1 | - | I2S2_MCK | - | - | USART6_TX | - | - | - | SDIO_D6 | DCMI_D0 | - | EVENTOUT |
| | PC7 | - | - | TIM3_CH2 | TIM8_CH2 | - | - | I2S3_MCK | - | USART6_RX | - | - | - | SDIO_D7 | DCMI_D1 | - | EVENTOUT |
| | PC8 | - | - | TIM3_CH3 | TIM8_CH3 | - | - | - | - | USART6_CK | - | - | - | SDIO_D0 | DCMI_D2 | - | EVENTOUT |
| | PC9 | MCO2 | - | TIM3_CH4 | TIM8_CH4 | I2C3_SDA | I2S_CKIN | - | - | - | - | - | - | SDIO_D1 | DCMI_D3 | - | EVENTOUT |
| | PC10 | - | - | - | - | - | - | SPI3_SCK/I2S3_CK | USART3_TX/ | UART4_TX | - | - | - | SDIO_D2 | DCMI_D8 | - | EVENTOUT |
| | PC11 | - | - | - | - | - | I2S3ext_SD | SPI3_MISO/ | USART3_RX | UART4_RX | - | - | - | SDIO_D3 | DCMI_D4 | - | EVENTOUT |
| | PC12 | - | - | - | - | - | - | SPI3_MOSI | I2S3_SD | USART3_CK | UART5_TX | - | - | SDIO_CK | DCMI_D9 | - | EVENTOUT |
| | PC13 | - | - | - | - | - | - | - | - | - | - | - | - | - | - | - | EVENTOUT |
| | PC14 | - | - | - | - | - | - | - | - | - | - | - | - | - | - | - | EVENTOUT |
| PC15 | - | - | - | - | - | - | - | - | - | - | - | - | - | - | - | EVENTOUT | |



Table 9. Alternate function mapping (continued)

| Port | AF0 | AF1 | AF2 | AF3 | AF4 | AF5 | AF6 | AF7 | AF8 | AF9 | AF10 | AF11 | AF12 | AF13 | AF14 | AF15 | |
|--------|------|--------|----------|--------------|----------|------------------------|------------------|--------------------|----------------|--------------------|---------------|------|------------------|--------------------|----------|----------|----------|
| | SYS | TIM1/2 | TIM3/4/5 | TIM8/9/10/11 | I2C1/2/3 | SPI1/SPI2/I2S2/I2S2ext | SPI3/I2Sext/I2S3 | USART1/2/3/I2S3ext | UART4/5/USART6 | CAN1/2/TIM12/13/14 | OTG_FS/OTG_HS | ETH | FSMC/SDIO/OTG_FS | DCMI | | | |
| Port D | PD0 | - | - | - | - | - | - | - | - | - | CAN1_RX | - | - | FSMC_D2 | - | - | EVENTOUT |
| | PD1 | - | - | - | - | - | - | - | - | - | CAN1_TX | - | - | FSMC_D3 | - | - | EVENTOUT |
| | PD2 | - | - | TIM3_ETR | - | - | - | - | - | UART5_RX | - | - | - | SDIO_CMD | DCMI_D11 | - | EVENTOUT |
| | PD3 | - | - | - | - | - | - | - | USART2_CTS | - | - | - | - | FSMC_CLK | - | - | EVENTOUT |
| | PD4 | - | - | - | - | - | - | - | USART2_RTS | - | - | - | - | FSMC_NOE | - | - | EVENTOUT |
| | PD5 | - | - | - | - | - | - | - | USART2_TX | - | - | - | - | FSMC_NWE | - | - | EVENTOUT |
| | PD6 | - | - | - | - | - | - | - | USART2_RX | - | - | - | - | FSMC_NWAIT | - | - | EVENTOUT |
| | PD7 | - | - | - | - | - | - | - | USART2_CK | - | - | - | - | FSMC_NE1/FSMC_NCE2 | - | - | EVENTOUT |
| | PD8 | - | - | - | - | - | - | - | USART3_TX | - | - | - | - | FSMC_D13 | - | - | EVENTOUT |
| | PD9 | - | - | - | - | - | - | - | USART3_RX | - | - | - | - | FSMC_D14 | - | - | EVENTOUT |
| | PD10 | - | - | - | - | - | - | - | USART3_CK | - | - | - | - | FSMC_D15 | - | - | EVENTOUT |
| | PD11 | - | - | - | - | - | - | - | USART3_CTS | - | - | - | - | FSMC_A16 | - | - | EVENTOUT |
| | PD12 | - | - | TIM4_CH1 | - | - | - | - | USART3_RTS | - | - | - | - | FSMC_A17 | - | - | EVENTOUT |
| | PD13 | - | - | TIM4_CH2 | - | - | - | - | - | - | - | - | - | FSMC_A18 | - | - | EVENTOUT |
| | PD14 | - | - | TIM4_CH3 | - | - | - | - | - | - | - | - | - | FSMC_D0 | - | - | EVENTOUT |
| PD15 | - | - | TIM4_CH4 | - | - | - | - | - | - | - | - | - | FSMC_D1 | - | - | EVENTOUT | |



Table 9. Alternate function mapping (continued)

| Port | AF0 | AF1 | AF2 | AF3 | AF4 | AF5 | AF6 | AF7 | AF8 | AF9 | AF10 | AF11 | AF12 | AF13 | AF14 | AF15 | |
|--------|------|-----------|-----------|--------------|----------|------------------------|------------------|--------------------|----------------|--------------------|---------------|--------------|------------------|----------|---------|----------|----------|
| | SYS | TIM1/2 | TIM3/4/5 | TIM8/9/10/11 | I2C1/2/3 | SPI1/SPI2/I2S2/I2S2ext | SPI3/I2Sext/I2S3 | USART1/2/3/I2S3ext | UART4/5/USART6 | CAN1/2/TIM12/13/14 | OTG_FS/OTG_HS | ETH | FSMC/SDIO/OTG_FS | DCMI | | | |
| Port E | PE0 | - | - | TIM4_ETR | - | - | - | - | - | - | - | - | FSMC_NBL0 | DCMI_D2 | - | EVENTOUT | |
| | PE1 | - | - | - | - | - | - | - | - | - | - | - | FSMC_NBL1 | DCMI_D3 | - | EVENTOUT | |
| | PE2 | TRACECLK | - | - | - | - | - | - | - | - | - | ETH_MII_TXD3 | FSMC_A23 | - | - | EVENTOUT | |
| | PE3 | TRACED0 | - | - | - | - | - | - | - | - | - | - | FSMC_A19 | - | - | EVENTOUT | |
| | PE4 | TRACED1 | - | - | - | - | - | - | - | - | - | - | FSMC_A20 | DCMI_D4 | - | EVENTOUT | |
| | PE5 | TRACED2 | - | - | TIM9_CH1 | - | - | - | - | TIM9_CH1 | - | - | - | FSMC_A21 | DCMI_D6 | - | EVENTOUT |
| | PE6 | TRACED3 | - | - | TIM9_CH2 | - | - | - | - | - | - | - | - | FSMC_A22 | DCMI_D7 | - | EVENTOUT |
| | PE7 | - | TIM1_ETR | - | - | - | - | - | - | - | - | - | - | FSMC_D4 | - | - | EVENTOUT |
| | PE8 | - | TIM1_CH1N | - | - | - | - | - | - | - | - | - | - | FSMC_D5 | - | - | EVENTOUT |
| | PE9 | - | TIM1_CH1 | - | - | - | - | - | - | - | - | - | - | FSMC_D6 | - | - | EVENTOUT |
| | PE10 | - | TIM1_CH2N | - | - | - | - | - | - | - | - | - | - | FSMC_D7 | - | - | EVENTOUT |
| | PE11 | - | TIM1_CH2 | - | - | - | - | - | - | - | - | - | - | FSMC_D8 | - | - | EVENTOUT |
| | PE12 | - | TIM1_CH3N | - | - | - | - | - | - | - | - | - | - | FSMC_D9 | - | - | EVENTOUT |
| | PE13 | - | TIM1_CH3 | - | - | - | - | - | - | - | - | - | - | FSMC_D10 | - | - | EVENTOUT |
| | PE14 | - | TIM1_CH4 | - | - | - | - | - | - | - | - | - | - | FSMC_D11 | - | - | EVENTOUT |
| PE15 | - | TIM1_BKIN | - | - | - | - | - | - | - | - | - | - | FSMC_D12 | - | - | EVENTOUT | |

DS8597 Rev 9

69/207



Table 9. Alternate function mapping (continued)

| Port | AF0 | AF1 | AF2 | AF3 | AF4 | AF5 | AF6 | AF7 | AF8 | AF9 | AF10 | AF11 | AF12 | AF13 | AF14 | AF15 | |
|--------|------|--------|----------|--------------|-----------|------------------------|------------------|--------------------|----------------|--------------------|---------------|------|------------------|------------|------|----------|----------|
| | SYS | TIM1/2 | TIM3/4/5 | TIM8/9/10/11 | I2C1/2/3 | SPI1/SPI2/I2S2/I2S2ext | SPI3/I2Sext/I2S3 | USART1/2/3/I2S3ext | UART4/5/USART6 | CAN1/2/TIM12/13/14 | OTG_FS/OTG_HS | ETH | FSMC/SDIO/OTG_FS | DCMI | | | |
| Port F | PF0 | - | - | - | - | I2C2_SDA | - | - | - | - | - | - | FSMC_A0 | - | - | EVENTOUT | |
| | PF1 | - | - | - | - | I2C2_SCL | - | - | - | - | - | - | FSMC_A1 | - | - | EVENTOUT | |
| | PF2 | - | - | - | - | I2C2_SMBA | - | - | - | - | - | - | FSMC_A2 | - | - | EVENTOUT | |
| | PF3 | - | - | - | - | - | - | - | - | - | - | - | FSMC_A3 | - | - | EVENTOUT | |
| | PF4 | - | - | - | - | - | - | - | - | - | - | - | FSMC_A4 | - | - | EVENTOUT | |
| | PF5 | - | - | - | - | - | - | - | - | - | - | - | FSMC_A5 | - | - | EVENTOUT | |
| | PF6 | - | - | - | TIM10_CH1 | - | - | - | - | - | - | - | FSMC_NIORD | - | - | EVENTOUT | |
| | PF7 | - | - | - | TIM11_CH1 | - | - | - | - | - | - | - | FSMC_NREG | - | - | EVENTOUT | |
| | PF8 | - | - | - | - | - | - | - | - | - | TIM13_CH1 | - | - | FSMC_NIOWR | - | - | EVENTOUT |
| | PF9 | - | - | - | - | - | - | - | - | - | TIM14_CH1 | - | - | FSMC_CD | - | - | EVENTOUT |
| | PF10 | - | - | - | - | - | - | - | - | - | - | - | FSMC_INTR | - | - | EVENTOUT | |
| | PF11 | - | - | - | - | - | - | - | - | - | - | - | - | DCMI_D12 | - | EVENTOUT | |
| | PF12 | - | - | - | - | - | - | - | - | - | - | - | - | FSMC_A6 | - | - | EVENTOUT |
| | PF13 | - | - | - | - | - | - | - | - | - | - | - | - | FSMC_A7 | - | - | EVENTOUT |
| | PF14 | - | - | - | - | - | - | - | - | - | - | - | - | FSMC_A8 | - | - | EVENTOUT |
| PF15 | - | - | - | - | - | - | - | - | - | - | - | - | FSMC_A9 | - | - | EVENTOUT | |



Table 9. Alternate function mapping (continued)

| Port | AF0 | AF1 | AF2 | AF3 | AF4 | AF5 | AF6 | AF7 | AF8 | AF9 | AF10 | AF11 | AF12 | AF13 | AF14 | AF15 | |
|--------|------|--------|----------|--------------|----------|------------------------|------------------|--------------------|----------------|--------------------|---------------|------|---------------------------------|------------------------|------|----------|----------|
| | SYS | TIM1/2 | TIM3/4/5 | TIM8/9/10/11 | I2C1/2/3 | SPI1/SPI2/I2S2/I2S2ext | SPI3/I2Sext/I2S3 | USART1/2/3/I2S3ext | UART4/5/USART6 | CAN1/2/TIM12/13/14 | OTG_FS/OTG_HS | ETH | FSMC/SDIO/OTG_FS | DCMI | | | |
| Port G | PG0 | - | - | - | - | - | - | - | - | - | - | - | FSMC_A10 | - | - | EVENTOUT | |
| | PG1 | - | - | - | - | - | - | - | - | - | - | - | FSMC_A11 | - | - | EVENTOUT | |
| | PG2 | - | - | - | - | - | - | - | - | - | - | - | FSMC_A12 | - | - | EVENTOUT | |
| | PG3 | - | - | - | - | - | - | - | - | - | - | - | FSMC_A13 | - | - | EVENTOUT | |
| | PG4 | - | - | - | - | - | - | - | - | - | - | - | FSMC_A14 | - | - | EVENTOUT | |
| | PG5 | - | - | - | - | - | - | - | - | - | - | - | FSMC_A15 | - | - | EVENTOUT | |
| | PG6 | - | - | - | - | - | - | - | - | - | - | - | FSMC_INT2 | - | - | EVENTOUT | |
| | PG7 | - | - | - | - | - | - | - | - | USART6_CK | - | - | - | FSMC_INT3 | - | - | EVENTOUT |
| | PG8 | - | - | - | - | - | - | - | - | USART6_RTS | - | - | ETH_PPS_OUT | - | - | - | EVENTOUT |
| | PG9 | - | - | - | - | - | - | - | - | USART6_RX | - | - | - | FSMC_NE2/ FSMC_NCE3 | - | - | EVENTOUT |
| | PG10 | - | - | - | - | - | - | - | - | - | - | - | FSMC_NCE4_1/ FSMC_NE3 | - | - | - | EVENTOUT |
| | PG11 | - | - | - | - | - | - | - | - | - | - | - | ETH_MII_TX_EN ETH_RMII_TX_EN | FSMC_NCE4_2 | - | - | EVENTOUT |
| | PG12 | - | - | - | - | - | - | - | - | USART6_RTS | - | - | - | FSMC_NE4 | - | - | EVENTOUT |
| | PG13 | - | - | - | - | - | - | - | - | UART6_CTS | - | - | ETH_MII_TXD0 ETH_RMII_TXD0 | FSMC_A24 | - | - | EVENTOUT |
| | PG14 | - | - | - | - | - | - | - | - | USART6_TX | - | - | ETH_MII_TXD1 ETH_RMII_TXD1 | FSMC_A25 | - | - | EVENTOUT |
| PG15 | - | - | - | - | - | - | - | - | USART6_CTS | - | - | - | - | DCMI_D13 | - | EVENTOUT | |



Table 9. Alternate function mapping (continued)

| Port | AF0 | AF1 | AF2 | AF3 | AF4 | AF5 | AF6 | AF7 | AF8 | AF9 | AF10 | AF11 | AF12 | AF13 | AF14 | AF15 |
|-------|------|--------|----------|--------------|-----------|------------------------|------------------|--------------------|----------------|--------------------|---------------|-----------------|------------------|------------|----------|----------|
| | SYS | TIM1/2 | TIM3/4/5 | TIM8/9/10/11 | I2C1/2/3 | SPI1/SPI2/I2S2/I2S2ext | SPI3/I2Sext/I2S3 | USART1/2/3/I2S3ext | UART4/5/USART6 | CAN1/2/TIM12/13/14 | OTG_FS/OTG_HS | ETH | FSMC/SDIO/OTG_FS | DCMI | | |
| PortH | PH0 | - | - | - | - | - | - | - | - | - | - | - | - | - | - | EVENTOUT |
| | PH1 | - | - | - | - | - | - | - | - | - | - | - | - | - | - | EVENTOUT |
| | PH2 | - | - | - | - | - | - | - | - | - | - | - | ETH_MII_CR | - | - | EVENTOUT |
| | PH3 | - | - | - | - | - | - | - | - | - | - | - | ETH_MII_COL | - | - | EVENTOUT |
| | PH4 | - | - | - | - | I2C2_SCL | - | - | - | - | - | OTG_HS_ULPI_NXT | - | - | - | EVENTOUT |
| | PH5 | - | - | - | - | I2C2_SDA | - | - | - | - | - | - | - | - | - | EVENTOUT |
| | PH6 | - | - | - | - | I2C2_SMBA | - | - | - | - | TIM12_CH1 | - | ETH_MII_RXD2 | - | - | EVENTOUT |
| | PH7 | - | - | - | - | I2C3_SCL | - | - | - | - | - | - | ETH_MII_RXD3 | - | - | EVENTOUT |
| | PH8 | - | - | - | - | I2C3_SDA | - | - | - | - | - | - | - | DCMI_HSYNC | - | EVENTOUT |
| | PH9 | - | - | - | - | I2C3_SMBA | - | - | - | - | TIM12_CH2 | - | - | - | DCMI_D0 | EVENTOUT |
| | PH10 | - | - | TIM5_CH1 | - | - | - | - | - | - | - | - | - | - | DCMI_D1 | EVENTOUT |
| | PH11 | - | - | TIM5_CH2 | - | - | - | - | - | - | - | - | - | - | DCMI_D2 | EVENTOUT |
| | PH12 | - | - | TIM5_CH3 | - | - | - | - | - | - | - | - | - | - | DCMI_D3 | EVENTOUT |
| | PH13 | - | - | - | TIM8_CH1N | - | - | - | - | - | CAN1_TX | - | - | - | - | EVENTOUT |
| | PH14 | - | - | - | TIM8_CH2N | - | - | - | - | - | - | - | - | - | DCMI_D4 | EVENTOUT |
| | PH15 | - | - | - | TIM8_CH3N | - | - | - | - | - | - | - | - | - | DCMI_D11 | EVENTOUT |



Table 9. Alternate function mapping (continued)

| Port | AF0 | AF1 | AF2 | AF3 | AF4 | AF5 | AF6 | AF7 | AF8 | AF9 | AF10 | AF11 | AF12 | AF13 | AF14 | AF15 |
|--------|------|--------|----------|--------------|-----------|------------------------|----------------------|--------------------|----------------|--------------------|-----------------|---------------|------------------|------------|----------|----------|
| | SYS | TIM1/2 | TIM3/4/5 | TIM8/9/10/11 | I2C1/2/3 | SPI1/SPI2/I2S2/I2S2ext | SPI3/I2Sext/I2S3 | USART1/2/3/I2S3ext | UART4/5/USART6 | CAN1/2/TIM12/13/14 | OTG_FS/OTG_HS | ETH | FSMC/SDIO/OTG_FS | DCMI | | |
| Port I | PI0 | - | - | TIM5_CH4 | - | - | SPI2_NSS I2S2_WS | - | - | - | - | - | - | DCMI_D13 | - | EVENTOUT |
| | PI1 | - | - | - | - | - | SPI2_SCK I2S2_CK | - | - | - | - | - | - | DCMI_D8 | - | EVENTOUT |
| | PI2 | - | - | - | TIM8_CH4 | - | SPI2_MISO | I2S2ext_SD | - | - | - | - | - | DCMI_D9 | - | EVENTOUT |
| | PI3 | - | - | - | TIM8_ETR | - | SPI2_MOSI I2S2_SD | - | - | - | - | - | - | DCMI_D10 | - | EVENTOUT |
| | PI4 | - | - | - | TIM8_BKIN | - | - | - | - | - | - | - | - | DCMI_D5 | - | EVENTOUT |
| | PI5 | - | - | - | TIM8_CH1 | - | - | - | - | - | - | - | - | DCMI_VSYNC | - | EVENTOUT |
| | PI6 | - | - | - | TIM8_CH2 | - | - | - | - | - | - | - | - | DCMI_D6 | - | EVENTOUT |
| | PI7 | - | - | - | TIM8_CH3 | - | - | - | - | - | - | - | - | DCMI_D7 | - | EVENTOUT |
| | PI8 | - | - | - | - | - | - | - | - | - | - | - | - | - | - | EVENTOUT |
| | PI9 | - | - | - | - | - | - | - | - | - | CAN1_RX | - | - | - | - | EVENTOUT |
| | PI10 | - | - | - | - | - | - | - | - | - | - | ETH_MIL_RX_ER | - | - | - | EVENTOUT |
| PI11 | - | - | - | - | - | - | - | - | - | - | OTG_HS_ULPI_DIR | - | - | - | EVENTOUT | |

4 Memory mapping

The memory map is shown in *Figure 18*.

Figure 18. STM32F41xxx memory map

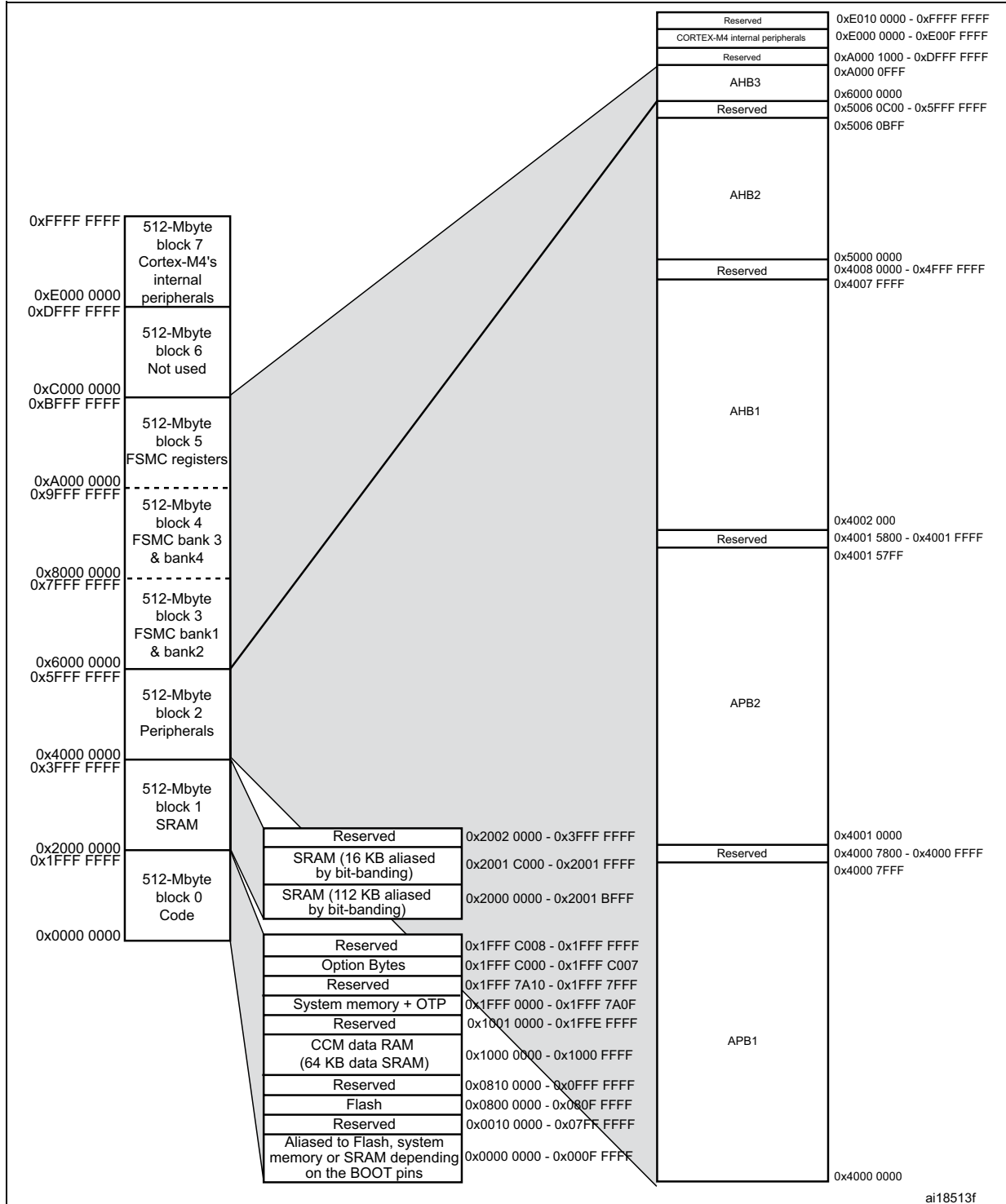


Table 10. STM32F41x register boundary addresses

| Bus | Boundary address | Peripheral |
|-----------|---------------------------|--------------------------------|
| | 0xE00F FFFF - 0xFFFF FFFF | Reserved |
| Cortex-M4 | 0xE000 0000 - 0xE00F FFFF | Cortex-M4 internal peripherals |
| | 0xA000 1000 - 0xDFFF FFFF | Reserved |
| AHB3 | 0xA000 0000 - 0xA000 0FFF | FSMC control register |
| | 0x9000 0000 - 0x9FFF FFFF | FSMC bank 4 |
| | 0x8000 0000 - 0x8FFF FFFF | FSMC bank 3 |
| | 0x7000 0000 - 0x7FFF FFFF | FSMC bank 2 |
| | 0x6000 0000 - 0x6FFF FFFF | FSMC bank 1 |
| | 0x5006 0C00- 0x5FFF FFFF | Reserved |
| AHB2 | 0x5006 0800 - 0x5006 0BFF | RNG |
| | 0x5006 0400 - 0x5006 07FF | HASH |
| | 0x5006 0000 - 0x5006 03FF | CRYP |
| | 0x5005 0400 - 0x5005 FFFF | Reserved |
| | 0x5005 0000 - 0x5005 03FF | DCMI |
| | 0x5004 0000- 0x5004 FFFF | Reserved |
| | 0x5000 0000 - 0x5003 FFFF | USB OTG FS |
| | 0x4008 0000- 0x4FFF FFFF | Reserved |

Table 10. STM32F41x register boundary addresses (continued)

| Bus | Boundary address | Peripheral |
|------|---------------------------|--------------------------|
| AHB1 | 0x4004 0000 - 0x4007 FFFF | USB OTG HS |
| | 0x4002 9400 - 0x4003 FFFF | Reserved |
| | 0x4002 9000 - 0x4002 93FF | ETHERNET MAC |
| | 0x4002 8C00 - 0x4002 8FFF | |
| | 0x4002 8800 - 0x4002 8BFF | |
| | 0x4002 8400 - 0x4002 87FF | |
| | 0x4002 8000 - 0x4002 83FF | |
| | 0x4002 6800 - 0x4002 7FFF | Reserved |
| | 0x4002 6400 - 0x4002 67FF | DMA2 |
| | 0x4002 6000 - 0x4002 63FF | DMA1 |
| | 0x4002 5000 - 0x4002 5FFF | Reserved |
| | 0x4002 4000 - 0x4002 4FFF | BKPSRAM |
| | 0x4002 3C00 - 0x4002 3FFF | Flash interface register |
| | 0x4002 3800 - 0x4002 3BFF | RCC |
| | 0x4002 3400 - 0x4002 37FF | Reserved |
| | 0x4002 3000 - 0x4002 33FF | CRC |
| | 0x4002 2400 - 0x4002 2FFF | Reserved |
| | 0x4002 2000 - 0x4002 23FF | GPIOI |
| | 0x4002 1C00 - 0x4002 1FFF | GPIOH |
| | 0x4002 1800 - 0x4002 1BFF | GPIOG |
| | 0x4002 1400 - 0x4002 17FF | GPIOF |
| | 0x4002 1000 - 0x4002 13FF | GPIOE |
| | 0x4002 0C00 - 0x4002 0FFF | GIPOD |
| | 0x4002 0800 - 0x4002 0BFF | GPIOC |
| | 0x4002 0400 - 0x4002 07FF | GPIOB |
| | 0x4002 0000 - 0x4002 03FF | GPIOA |
| | | 0x4001 5800- 0x4001 FFFF |

Table 10. STM32F41x register boundary addresses (continued)

| Bus | Boundary address | Peripheral |
|------|---------------------------|---------------------------|
| APB2 | 0x4001 4C00 - 0x4001 57FF | Reserved |
| | 0x4001 4800 - 0x4001 4BFF | TIM11 |
| | 0x4001 4400 - 0x4001 47FF | TIM10 |
| | 0x4001 4000 - 0x4001 43FF | TIM9 |
| | 0x4001 3C00 - 0x4001 3FFF | EXTI |
| | 0x4001 3800 - 0x4001 3BFF | SYSCFG |
| | 0x4001 3400 - 0x4001 37FF | Reserved |
| | 0x4001 3000 - 0x4001 33FF | SPI1 |
| | 0x4001 2C00 - 0x4001 2FFF | SDIO |
| | 0x4001 2400 - 0x4001 2BFF | Reserved |
| | 0x4001 2000 - 0x4001 23FF | ADC1 - ADC2 - ADC3 |
| | 0x4001 1800 - 0x4001 1FFF | Reserved |
| | 0x4001 1400 - 0x4001 17FF | USART6 |
| | 0x4001 1000 - 0x4001 13FF | USART1 |
| | 0x4001 0800 - 0x4001 0FFF | Reserved |
| | 0x4001 0400 - 0x4001 07FF | TIM8 |
| | 0x4001 0000 - 0x4001 03FF | TIM1 |
| | | 0x4000 7800 - 0x4000 FFFF |

Table 10. STM32F41x register boundary addresses (continued)

| Bus | Boundary address | Peripheral |
|---------------------------|---------------------------|---------------------|
| APB1 | 0x4000 7800 - 0x4000 7FFF | Reserved |
| | 0x4000 7400 - 0x4000 77FF | DAC |
| | 0x4000 7000 - 0x4000 73FF | PWR |
| | 0x4000 6C00 - 0x4000 6FFF | Reserved |
| | 0x4000 6800 - 0x4000 6BFF | CAN2 |
| | 0x4000 6400 - 0x4000 67FF | CAN1 |
| | 0x4000 6000 - 0x4000 63FF | Reserved |
| | 0x4000 5C00 - 0x4000 5FFF | I2C3 |
| | 0x4000 5800 - 0x4000 5BFF | I2C2 |
| | 0x4000 5400 - 0x4000 57FF | I2C1 |
| | 0x4000 5000 - 0x4000 53FF | UART5 |
| | 0x4000 4C00 - 0x4000 4FFF | UART4 |
| | 0x4000 4800 - 0x4000 4BFF | USART3 |
| | 0x4000 4400 - 0x4000 47FF | USART2 |
| | 0x4000 4000 - 0x4000 43FF | I2S3ext |
| | 0x4000 3C00 - 0x4000 3FFF | SPI3 / I2S3 |
| | 0x4000 3800 - 0x4000 3BFF | SPI2 / I2S2 |
| | 0x4000 3400 - 0x4000 37FF | I2S2ext |
| | 0x4000 3000 - 0x4000 33FF | IWDG |
| | 0x4000 2C00 - 0x4000 2FFF | WWDG |
| | 0x4000 2800 - 0x4000 2BFF | RTC & BKP Registers |
| | 0x4000 2400 - 0x4000 27FF | Reserved |
| | 0x4000 2000 - 0x4000 23FF | TIM14 |
| | 0x4000 1C00 - 0x4000 1FFF | TIM13 |
| | 0x4000 1800 - 0x4000 1BFF | TIM12 |
| | 0x4000 1400 - 0x4000 17FF | TIM7 |
| | 0x4000 1000 - 0x4000 13FF | TIM6 |
| | 0x4000 0C00 - 0x4000 0FFF | TIM5 |
| | 0x4000 0800 - 0x4000 0BFF | TIM4 |
| | 0x4000 0400 - 0x4000 07FF | TIM3 |
| 0x4000 0000 - 0x4000 03FF | TIM2 | |

5 Electrical characteristics

5.1 Parameter conditions

Unless otherwise specified, all voltages are referenced to V_{SS} .

5.1.1 Minimum and maximum values

Unless otherwise specified the minimum and maximum values are guaranteed in the worst conditions of ambient temperature, supply voltage and frequencies by tests in production on 100% of the devices with an ambient temperature at $T_A = 25\text{ °C}$ and $T_A = T_{Amax}$ (given by the selected temperature range).

Data based on characterization results, design simulation and/or technology characteristics are indicated in the table footnotes and are not tested in production. Based on characterization, the minimum and maximum values refer to sample tests and represent the mean value plus or minus three times the standard deviation ($\text{mean} \pm 3\Sigma$).

5.1.2 Typical values

Unless otherwise specified, typical data are based on $T_A = 25\text{ °C}$, $V_{DD} = 3.3\text{ V}$ (for the $1.8\text{ V} \leq V_{DD} \leq 3.6\text{ V}$ voltage range). They are given only as design guidelines and are not tested.

Typical ADC accuracy values are determined by characterization of a batch of samples from a standard diffusion lot over the full temperature range, where 95% of the devices have an error less than or equal to the value indicated ($\text{mean} \pm 2\Sigma$).

5.1.3 Typical curves

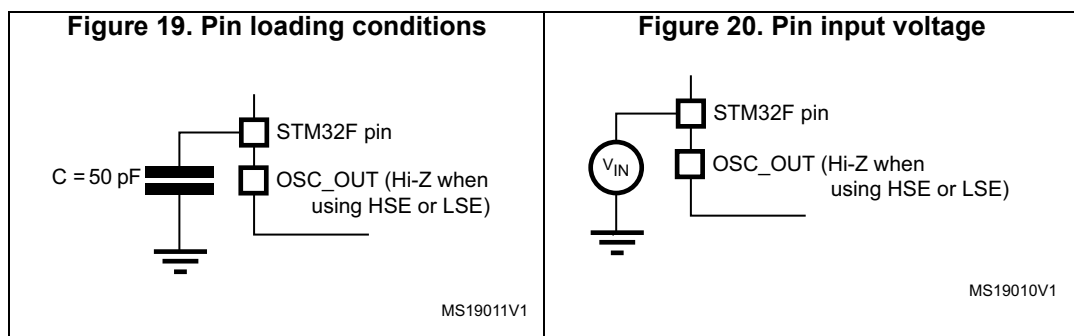
Unless otherwise specified, all typical curves are given only as design guidelines and are not tested.

5.1.4 Loading capacitor

The loading conditions used for pin parameter measurement are shown in [Figure 19](#).

5.1.5 Pin input voltage

The input voltage measurement on a pin of the device is described in [Figure 20](#).



5.1.6 Power supply scheme

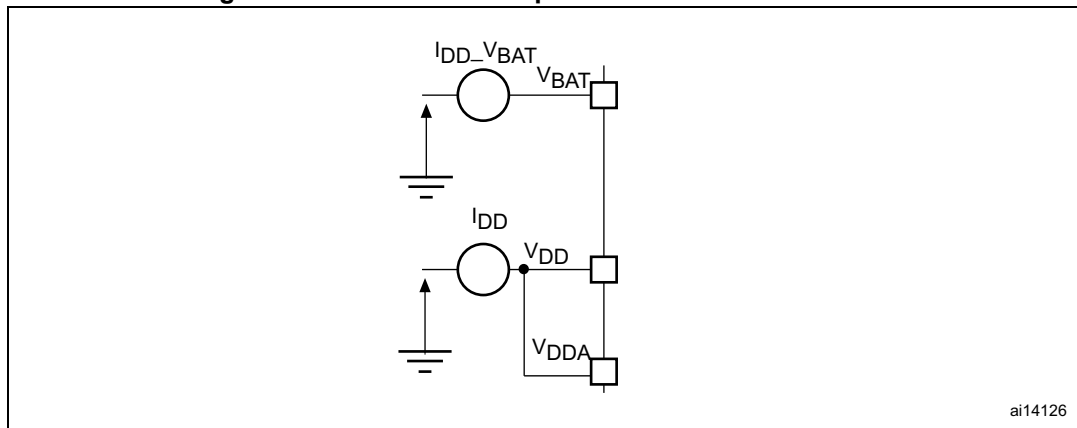
Figure 21. Power supply scheme



1. Each power supply pair must be decoupled with filtering ceramic capacitors as shown above. These capacitors must be placed as close as possible to, or below, the appropriate pins on the underside of the PCB to ensure the good functionality of the device.
2. To connect BYPASS_REG and PDR_ON pins, refer to [Section 2.2.16: Voltage regulator](#) and [Table 2.2.15: Power supply supervisor](#).
3. The two 2.2 μF ceramic capacitors should be replaced by two 100 nF decoupling capacitors when the voltage regulator is OFF.
4. The 4.7 μF ceramic capacitor must be connected to one of the V_{DD} pin.
5. V_{DDA}=V_{DD} and V_{SSA}=V_{SS}.

5.1.7 Current consumption measurement

Figure 22. Current consumption measurement scheme



5.2 Absolute maximum ratings

Stresses above the absolute maximum ratings listed in [Table 11: Voltage characteristics](#), [Table 12: Current characteristics](#), and [Table 13: Thermal characteristics](#) may cause permanent damage to the device. These are stress ratings only and functional operation of the device at these conditions is not implied. Exposure to maximum rating conditions for extended periods may affect device reliability. Device mission profile (application conditions) is compliant with JEDEC JESD47 Qualification Standard, extended mission profiles are available on demand.

Table 11. Voltage characteristics

| Symbol | Ratings | Min | Max | Unit |
|----------------------|---|---|------------|------|
| $V_{DD}-V_{SS}$ | External main supply voltage (including V_{DDA} , V_{DD}) ⁽¹⁾ | -0.3 | 4.0 | V |
| V_{IN} | Input voltage on five-volt tolerant pin ⁽²⁾ | $V_{SS}-0.3$ | $V_{DD}+4$ | |
| | Input voltage on any other pin | $V_{SS}-0.3$ | 4.0 | |
| $ \Delta V_{DDx} $ | Variations between different V_{DD} power pins | - | 50 | mV |
| $ V_{SSx} - V_{SS} $ | Variations between all the different ground pins including V_{REF-} | - | 50 | |
| $V_{ESD(HBM)}$ | Electrostatic discharge voltage (human body model) | see Section 5.3.14: Absolute maximum ratings (electrical sensitivity) | | |

1. All main power (V_{DD} , V_{DDA}) and ground (V_{SS} , V_{SSA}) pins must always be connected to the external power supply, in the permitted range.
2. V_{IN} maximum value must always be respected. Refer to [Table 12](#) for the values of the maximum allowed injected current.

Table 12. Current characteristics

| Symbol | Ratings | Max. | Unit |
|--------------------------------------|---|-------|------|
| I_{VDD} | Total current into V_{DD} power lines (source) ⁽¹⁾ | 240 | mA |
| I_{VSS} | Total current out of V_{SS} ground lines (sink) ⁽¹⁾ | 240 | |
| I_{IO} | Output current sunk by any I/O and control pin | 25 | |
| | Output current source by any I/Os and control pin | 25 | |
| $I_{INJ(PIN)}$ ⁽²⁾ | Injected current on five-volt tolerant I/O ⁽³⁾ | -5/+0 | |
| | Injected current on any other pin ⁽⁴⁾ | ±5 | |
| $\Sigma I_{INJ(PIN)}$ ⁽⁴⁾ | Total injected current (sum of all I/O and control pins) ⁽⁵⁾ | ±25 | |

- All main power (V_{DD} , V_{DDA}) and ground (V_{SS} , V_{SSA}) pins must always be connected to the external power supply, in the permitted range.
- Negative injection disturbs the analog performance of the device. See note in [Section 5.3.21: 12-bit ADC characteristics](#).
- Positive injection is not possible on these I/Os. A negative injection is induced by $V_{IN} < V_{SS}$. $I_{INJ(PIN)}$ must never be exceeded. Refer to [Table 11](#) for the values of the maximum allowed input voltage.
- A positive injection is induced by $V_{IN} > V_{DD}$ while a negative injection is induced by $V_{IN} < V_{SS}$. $I_{INJ(PIN)}$ must never be exceeded. Refer to [Table 11](#) for the values of the maximum allowed input voltage.
- When several inputs are submitted to a current injection, the maximum $\Sigma I_{INJ(PIN)}$ is the absolute sum of the positive and negative injected currents (instantaneous values).

Table 13. Thermal characteristics

| Symbol | Ratings | Value | Unit |
|-----------|------------------------------|-------------|------|
| T_{STG} | Storage temperature range | -65 to +150 | °C |
| T_J | Maximum junction temperature | 125 | °C |

5.3 Operating conditions

5.3.1 General operating conditions

Table 14. General operating conditions

| Symbol | Parameter | Conditions | Min | Typ | Max | Unit |
|-----------------------------|---|---|--------------------|-----|-----|------|
| f_{HCLK} | Internal AHB clock frequency | VOS bit in PWR_CR register = 0 ⁽¹⁾ | 0 | - | 144 | MHz |
| | | VOS bit in PWR_CR register = 1 | 0 | - | 168 | |
| f_{PCLK1} | Internal APB1 clock frequency | - | 0 | - | 42 | |
| f_{PCLK2} | Internal APB2 clock frequency | - | 0 | - | 84 | |
| V_{DD} | Standard operating voltage | - | 1.8 ⁽²⁾ | - | 3.6 | V |
| V_{DDA} ⁽³⁾⁽⁴⁾ | Analog operating voltage (ADC limited to 1.2 M samples) | Must be the same potential as V_{DD} ⁽⁵⁾ | 1.8 ⁽²⁾ | - | 2.4 | V |
| | Analog operating voltage (ADC limited to 1.4 M samples) | | 2.4 | - | 3.6 | |
| V_{BAT} | Backup operating voltage | - | 1.65 | - | 3.6 | V |

Table 14. General operating conditions (continued)

| Symbol | Parameter | Conditions | Min | Typ | Max | Unit |
|-----------------|--|---|------|------|---------------------------|------|
| V ₁₂ | Regulator ON: 1.2 V internal voltage on V _{CAP_1} /V _{CAP_2} pins | VOS bit in PWR_CR register = 0 ⁽¹⁾ Max frequency 144MHz | 1.08 | 1.14 | 1.20 | V |
| | | VOS bit in PWR_CR register= 1 Max frequency 168MHz | 1.20 | 1.26 | 1.32 | V |
| | Regulator OFF: 1.2 V external voltage must be supplied from external regulator on V _{CAP_1} /V _{CAP_2} pins | Max frequency 144MHz | 1.10 | 1.14 | 1.20 | V |
| | | Max frequency 168MHz | 1.20 | 1.26 | 1.30 | V |
| V _{IN} | Input voltage on RST and FT pins ⁽⁶⁾ | 2 V ≤ V _{DD} ≤ 3.6 V | -0.3 | - | 5.5 | V |
| | | V _{DD} ≤ 2 V | -0.3 | - | 5.2 | |
| | Input voltage on TTa pins | - | -0.3 | - | V _{DDA} + 0.3 | |
| | Input voltage on B pin | - | - | - | 5.5 | |
| P _D | Power dissipation at T _A = 85 °C for suffix 6 or T _A = 105 °C for suffix 7 ⁽⁷⁾ | LQFP64 | - | - | 435 | mW |
| | | LQFP100 | - | - | 465 | |
| | | LQFP144 | - | - | 500 | |
| | | LQFP176 | - | - | 526 | |
| | | UFBGA176 | - | - | 513 | |
| | | WLCSP90 | - | - | 543 | |
| T _A | Ambient temperature for 6 suffix version | Maximum power dissipation | -40 | - | 85 | °C |
| | | Low-power dissipation ⁽⁸⁾ | -40 | - | 105 | |
| | Ambient temperature for 7 suffix version | Maximum power dissipation | -40 | - | 105 | °C |
| | | Low-power dissipation ⁽⁸⁾ | -40 | - | 125 | |
| T _J | Junction temperature range | 6 suffix version | -40 | - | 105 | °C |
| | | 7 suffix version | -40 | - | 125 | |

1. The average expected gain in power consumption when VOS = 0 compared to VOS = 1 is around 10% for the whole temperature range, when the system clock frequency is between 30 and 144 MHz.
2. V_{DD}/V_{DDA} minimum value of 1.7 V is obtained when the device operates in reduced temperature range, and with the use of an external power supply supervisor (refer to [Section : Internal reset OFF](#)).
3. When the ADC is used, refer to [Table 67: ADC characteristics](#).
4. If V_{REF+} pin is present, it must respect the following condition: V_{DDA}-V_{REF+} < 1.2 V.
5. It is recommended to power V_{DD} and V_{DDA} from the same source. A maximum difference of 300 mV between V_{DD} and V_{DDA} can be tolerated during power-up and power-down operation.
6. To sustain a voltage higher than V_{DD}+0.3, the internal pull-up and pull-down resistors must be disabled.
7. If T_A is lower, higher P_D values are allowed as long as T_J does not exceed T_{Jmax}.
8. In low-power dissipation state, T_A can be extended to this range as long as T_J does not exceed T_{Jmax}.

Table 15. Limitations depending on the operating power supply range

| Operating power supply range | ADC operation | Maximum Flash memory access frequency with no wait state (f _{Flashmax}) | Maximum Flash memory access frequency with wait states ^{(1) (2)} | I/O operation | Clock output Frequency on I/O pins | Possible Flash memory operations |
|---|--------------------------------|---|---|--|--|---|
| V _{DD} = 1.8 to 2.1 V ⁽³⁾ | Conversion time up to 1.2 Msps | 20 MHz ⁽⁴⁾ | 160 MHz with 7 wait states | – Degraded speed performance – No I/O compensation | up to 30 MHz | 8-bit erase and program operations only |
| V _{DD} = 2.1 to 2.4 V | Conversion time up to 1.2 Msps | 22 MHz | 168 MHz with 7 wait states | – Degraded speed performance – No I/O compensation | up to 30 MHz | 16-bit erase and program operations |
| V _{DD} = 2.4 to 2.7 V | Conversion time up to 2.4 Msps | 24 MHz | 168 MHz with 6 wait states | – Degraded speed performance – I/O compensation works | up to 48 MHz | 16-bit erase and program operations |
| V _{DD} = 2.7 to 3.6 V ⁽⁵⁾ | Conversion time up to 2.4 Msps | 30 MHz | 168 MHz with 5 wait states | – Full-speed operation – I/O compensation works | – up to 60 MHz when V _{DD} = 3.0 to 3.6 V – up to 48 MHz when V _{DD} = 2.7 to 3.0 V | 32-bit erase and program operations |

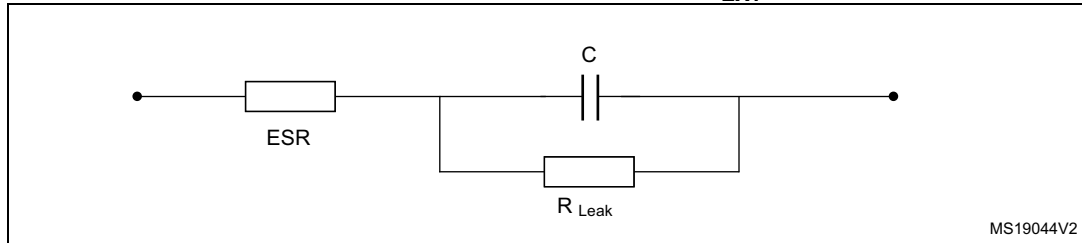
1. It applies only when code executed from Flash memory access, when code executed from RAM, no wait state is required.
2. Thanks to the ART accelerator and the 128-bit Flash memory, the number of wait states given here does not impact the execution speed from Flash memory since the ART accelerator allows to achieve a performance equivalent to 0 wait state program execution.
3. V_{DD}/VDDA minimum value of 1.7 V is obtained when the device operates in reduced temperature range, and with the use of an external power supply supervisor (refer to [Section : Internal reset OFF](#)).
4. Prefetch is not available. Refer to AN3430 application note for details on how to adjust performance and power.
5. The voltage range for OTG USB FS can drop down to 2.7 V. However it is degraded between 2.7 and 3 V.



5.3.2 V_{CAP_1}/V_{CAP_2} external capacitor

Stabilization for the main regulator is achieved by connecting an external capacitor C_{EXT} to the V_{CAP_1}/V_{CAP_2} pins. C_{EXT} is specified in [Table 16](#).

Figure 23. External capacitor C_{EXT}



1. Legend: ESR is the equivalent series resistance.

Table 16. V_{CAP_1}/V_{CAP_2} operating conditions⁽¹⁾

| Symbol | Parameter | Conditions |
|------------------|-----------------------------------|------------|
| C _{EXT} | Capacitance of external capacitor | 2.2 μF |
| ESR | ESR of external capacitor | < 2 Ω |

1. When bypassing the voltage regulator, the two 2.2 μF V_{CAP} capacitors are not required and should be replaced by two 100 nF decoupling capacitors.

5.3.3 Operating conditions at power-up / power-down (regulator ON)

Subject to general operating conditions for T_A.

Table 17. Operating conditions at power-up / power-down (regulator ON)

| Symbol | Parameter | Min | Max | Unit |
|------------------|--------------------------------|-----|-----|------|
| t _{VDD} | V _{DD} rise time rate | 20 | ∞ | μs/V |
| | V _{DD} fall time rate | 20 | ∞ | |

5.3.4 Operating conditions at power-up / power-down (regulator OFF)

Subject to general operating conditions for T_A.

Table 18. Operating conditions at power-up / power-down (regulator OFF)⁽¹⁾

| Symbol | Parameter | Conditions | Min | Max | Unit |
|------------------------------|--|------------|-----|-----|------|
| t _{VDD} | V _{DD} rise time rate | Power-up | 20 | ∞ | μs/V |
| | V _{DD} fall time rate | Power-down | 20 | ∞ | |
| t _{V_{CAP}} | V _{CAP_1} and V _{CAP_2} rise time rate | Power-up | 20 | ∞ | |
| | V _{CAP_1} and V _{CAP_2} fall time rate | Power-down | 20 | ∞ | |

1. To reset the internal logic at power-down, a reset must be applied on pin PA0 when V_{DD} reach below minimum value of V₁₂.

5.3.5 Embedded reset and power control block characteristics

The parameters given in [Table 19](#) are derived from tests performed under ambient temperature and V_{DD} supply voltage conditions summarized in [Table 14](#).

Table 19. Embedded reset and power control block characteristics

| Symbol | Parameter | Conditions | Min | Typ | Max | Unit |
|-----------------------------|---|-----------------------------|------|------|------|------|
| V_{PVD} | Programmable voltage detector level selection | PLS[2:0]=000 (rising edge) | 2.09 | 2.14 | 2.19 | V |
| | | PLS[2:0]=000 (falling edge) | 1.98 | 2.04 | 2.08 | V |
| | | PLS[2:0]=001 (rising edge) | 2.23 | 2.30 | 2.37 | V |
| | | PLS[2:0]=001 (falling edge) | 2.13 | 2.19 | 2.25 | V |
| | | PLS[2:0]=010 (rising edge) | 2.39 | 2.45 | 2.51 | V |
| | | PLS[2:0]=010 (falling edge) | 2.29 | 2.35 | 2.39 | V |
| | | PLS[2:0]=011 (rising edge) | 2.54 | 2.60 | 2.65 | V |
| | | PLS[2:0]=011 (falling edge) | 2.44 | 2.51 | 2.56 | V |
| | | PLS[2:0]=100 (rising edge) | 2.70 | 2.76 | 2.82 | V |
| | | PLS[2:0]=100 (falling edge) | 2.59 | 2.66 | 2.71 | V |
| | | PLS[2:0]=101 (rising edge) | 2.86 | 2.93 | 2.99 | V |
| | | PLS[2:0]=101 (falling edge) | 2.75 | 2.84 | 2.92 | V |
| | | PLS[2:0]=110 (rising edge) | 2.96 | 3.03 | 3.10 | V |
| | | PLS[2:0]=110 (falling edge) | 2.85 | 2.93 | 2.99 | V |
| | | PLS[2:0]=111 (rising edge) | 3.07 | 3.14 | 3.21 | V |
| PLS[2:0]=111 (falling edge) | 2.95 | 3.03 | 3.09 | V | | |
| $V_{PVDhyst}^{(1)}$ | PVD hysteresis | - | - | 100 | - | mV |
| $V_{POR/PDR}$ | Power-on/power-down reset threshold | Falling edge | 1.60 | 1.68 | 1.76 | V |
| | | Rising edge | 1.64 | 1.72 | 1.80 | V |
| $V_{PDRhyst}^{(1)}$ | PDR hysteresis | - | - | 40 | - | mV |
| V_{BOR1} | Brownout level 1 threshold | Falling edge | 2.13 | 2.19 | 2.24 | V |
| | | Rising edge | 2.23 | 2.29 | 2.33 | V |

Table 19. Embedded reset and power control block characteristics (continued)

| Symbol | Parameter | Conditions | Min | Typ | Max | Unit |
|-------------------------|---|---|------|------|------|---------------|
| V_{BOR2} | Brownout level 2 threshold | Falling edge | 2.44 | 2.50 | 2.56 | V |
| | | Rising edge | 2.53 | 2.59 | 2.63 | V |
| V_{BOR3} | Brownout level 3 threshold | Falling edge | 2.75 | 2.83 | 2.88 | V |
| | | Rising edge | 2.85 | 2.92 | 2.97 | V |
| $V_{BORhyst}^{(1)}$ | BOR hysteresis | - | - | 100 | - | mV |
| $T_{RSTTEMPO}^{(1)(2)}$ | Reset temporization | - | 0.5 | 1.5 | 3.0 | ms |
| $I_{RUSH}^{(1)}$ | InRush current on voltage regulator power-on (POR or wakeup from Standby) | - | - | 160 | 200 | mA |
| $E_{RUSH}^{(1)}$ | InRush energy on voltage regulator power-on (POR or wakeup from Standby) | $V_{DD} = 1.8\text{ V}$, $T_A = 105\text{ }^\circ\text{C}$, $I_{RUSH} = 171\text{ mA}$ for $31\text{ }\mu\text{s}$ | - | - | 5.4 | μC |

1. Guaranteed by design.

2. The reset temporization is measured from the power-on (POR reset or wakeup from V_{BAT}) to the instant when first instruction is read by the user application code.

5.3.6 Supply current characteristics

The current consumption is a function of several parameters and factors such as the operating voltage, ambient temperature, I/O pin loading, device software configuration, operating frequencies, I/O pin switching rate, program location in memory and executed binary code.

The current consumption is measured as described in [Figure 22: Current consumption measurement scheme](#).

All Run mode current consumption measurements given in this section are performed using a CoreMark-compliant code.

Typical and maximum current consumption

The MCU is placed under the following conditions:

- At startup, all I/O pins are configured as analog inputs by firmware.
- All peripherals are disabled except if it is explicitly mentioned.
- The Flash memory access time is adjusted to f_{HCLK} frequency (0 wait state from 0 to 30 MHz, 1 wait state from 30 to 60 MHz, 2 wait states from 60 to 90 MHz, 3 wait states from 90 to 120 MHz, 4 wait states from 120 to 150 MHz, and 5 wait states from 150 to 168 MHz).
- When the peripherals are enabled HCLK is the system clock, $f_{PCLK1} = f_{HCLK}/4$, and $f_{PCLK2} = f_{HCLK}/2$, except is explicitly mentioned.
- The maximum values are obtained for $V_{DD} = 3.6\text{ V}$ and maximum ambient temperature (T_A), and the typical values for $T_A = 25\text{ }^\circ\text{C}$ and $V_{DD} = 3.3\text{ V}$ unless otherwise specified.

Table 20. Typical and maximum current consumption in Run mode, code with data processing running from Flash memory (ART accelerator enabled) or RAM ⁽¹⁾

| Symbol | Parameter | Conditions | f _{HCLK} | Typ | Max ⁽²⁾ | | Unit |
|-----------------|----------------------------|--|-----------------------|------------------------|------------------------|-------------------------|------|
| | | | | T _A = 25 °C | T _A = 85 °C | T _A = 105 °C | |
| I _{DD} | Supply current in Run mode | External clock ⁽³⁾ , all peripherals enabled ⁽⁴⁾⁽⁵⁾ | 168 MHz | 87 | 102 | 109 | mA |
| | | | 144 MHz | 67 | 80 | 86 | |
| | | | 120 MHz | 56 | 69 | 75 | |
| | | | 90 MHz | 44 | 56 | 62 | |
| | | | 60 MHz | 30 | 42 | 49 | |
| | | | 30 MHz | 16 | 28 | 35 | |
| | | | 25 MHz | 12 | 24 | 31 | |
| | | | 16 MHz ⁽⁶⁾ | 9 | 20 | 28 | |
| | | | 8 MHz | 5 | 17 | 24 | |
| | | | 4 MHz | 3 | 15 | 22 | |
| | | 2 MHz | 2 | 14 | 21 | | |
| | | External clock ⁽³⁾ , all peripherals disabled ⁽⁴⁾⁽⁵⁾ | 168 MHz | 40 | 54 | 61 | |
| | | | 144 MHz | 31 | 43 | 50 | |
| | | | 120 MHz | 26 | 38 | 45 | |
| | | | 90 MHz | 20 | 32 | 39 | |
| | | | 60 MHz | 14 | 26 | 33 | |
| | | | 30 MHz | 8 | 20 | 27 | |
| | | | 25 MHz | 6 | 18 | 25 | |
| | | | 16 MHz ⁽⁶⁾ | 5 | 16 | 24 | |
| | | | 8 MHz | 3 | 15 | 22 | |
| 4 MHz | 2 | | 14 | 21 | | | |
| 2 MHz | 2 | 14 | 21 | | | | |

- Code and data processing running from SRAM1 using boot pins.
- Guaranteed by characterization, tested in production at V_{DD} max and f_{HCLK} max with peripherals enabled.
- External clock is 4 MHz and PLL is on when f_{HCLK} > 25 MHz.
- When the ADC is ON (ADON bit set in the ADC_CR2 register), add an additional power consumption of 1.6 mA per ADC for the analog part.
- When analog peripheral blocks such as ADCs, DACs, HSE, LSE, HSI, or LSI are ON, an additional power consumption should be considered.
- In this case HCLK = system clock/2.



Table 21. Typical and maximum current consumption in Run mode, code with data processing running from Flash memory (ART accelerator disabled)

| Symbol | Parameter | Conditions | f _{HCLK} | Typ | Max ⁽¹⁾ | | Unit |
|-----------------|----------------------------|--|-------------------|------------------------|------------------------|-------------------------|------|
| | | | | T _A = 25 °C | T _A = 85 °C | T _A = 105 °C | |
| I _{DD} | Supply current in Run mode | External clock ⁽²⁾ , all peripherals enabled ⁽³⁾⁽⁴⁾ | 168 MHz | 93 | 109 | 117 | mA |
| | | | 144 MHz | 76 | 89 | 96 | |
| | | | 120 MHz | 67 | 79 | 86 | |
| | | | 90 MHz | 53 | 65 | 73 | |
| | | | 60 MHz | 37 | 49 | 56 | |
| | | | 30 MHz | 20 | 32 | 39 | |
| | | | 25 MHz | 16 | 27 | 35 | |
| | | | 16 MHz | 11 | 23 | 30 | |
| | | | 8 MHz | 6 | 18 | 25 | |
| | | | 4 MHz | 4 | 16 | 23 | |
| | | 2 MHz | 3 | 15 | 22 | | |
| | | External clock ⁽²⁾ , all peripherals disabled ⁽³⁾⁽⁴⁾ | 168 MHz | 46 | 61 | 69 | |
| | | | 144 MHz | 40 | 52 | 60 | |
| | | | 120 MHz | 37 | 48 | 56 | |
| | | | 90 MHz | 30 | 42 | 50 | |
| | | | 60 MHz | 22 | 33 | 41 | |
| | | | 30 MHz | 12 | 24 | 31 | |
| | | | 25 MHz | 10 | 21 | 29 | |
| | | | 16 MHz | 7 | 19 | 26 | |
| | | | 8 MHz | 4 | 16 | 23 | |
| 4 MHz | 3 | | 15 | 22 | | | |
| 2 MHz | 2 | 14 | 21 | | | | |

1. Guaranteed by characterization, tested in production at V_{DD} max and f_{HCLK} max with peripherals enabled.
2. External clock is 4 MHz and PLL is on when f_{HCLK} > 25 MHz.
3. When analog peripheral blocks such as (ADCs, DACs, HSE, LSE, HSI,LSI) are on, an additional power consumption should be considered.
4. When the ADC is ON (ADON bit set in the ADC_CR2 register), add an additional power consumption of 1.6 mA per ADC for the analog part.

Figure 24. Typical current consumption versus temperature, Run mode, code with data processing running from Flash (ART accelerator ON) or RAM, and peripherals OFF

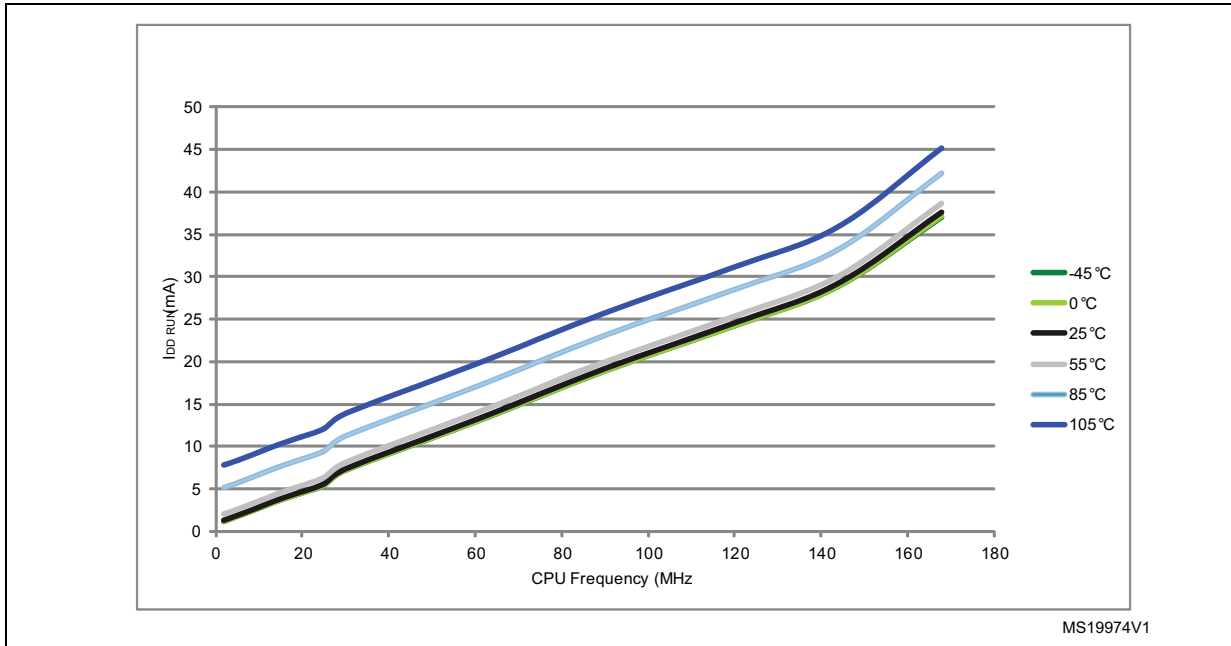


Figure 25. Typical current consumption versus temperature, Run mode, code with data processing running from Flash (ART accelerator ON) or RAM, and peripherals ON

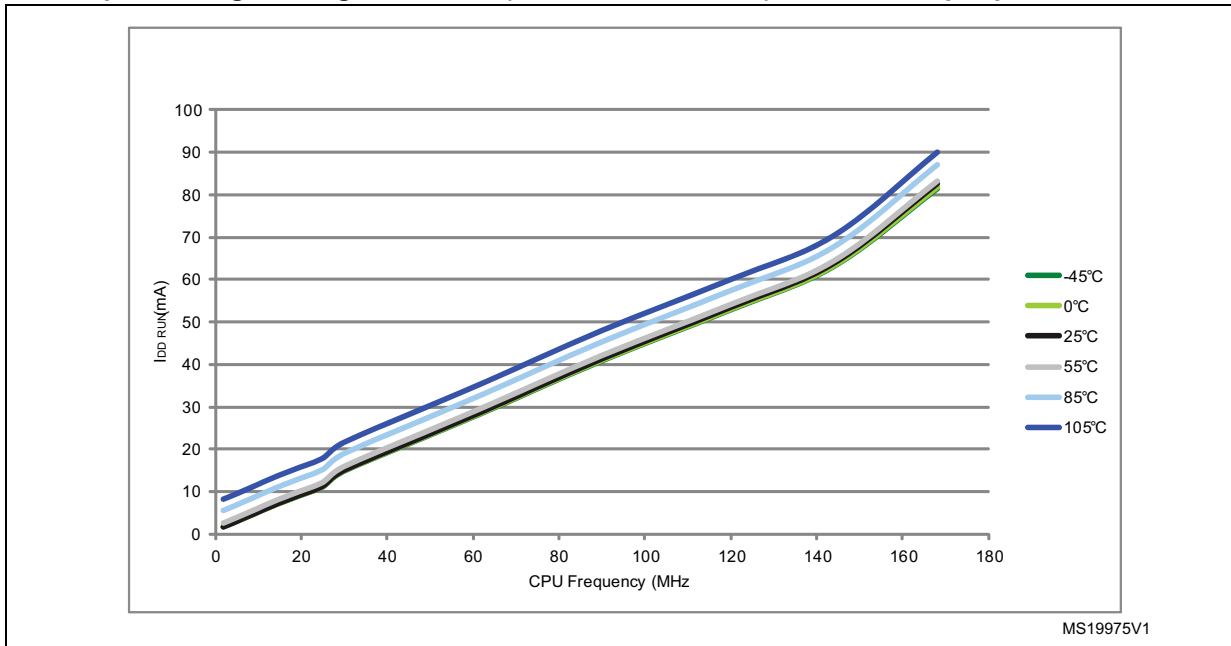


Figure 26. Typical current consumption versus temperature, Run mode, code with data processing running from Flash (ART accelerator OFF) or RAM, and peripherals OFF

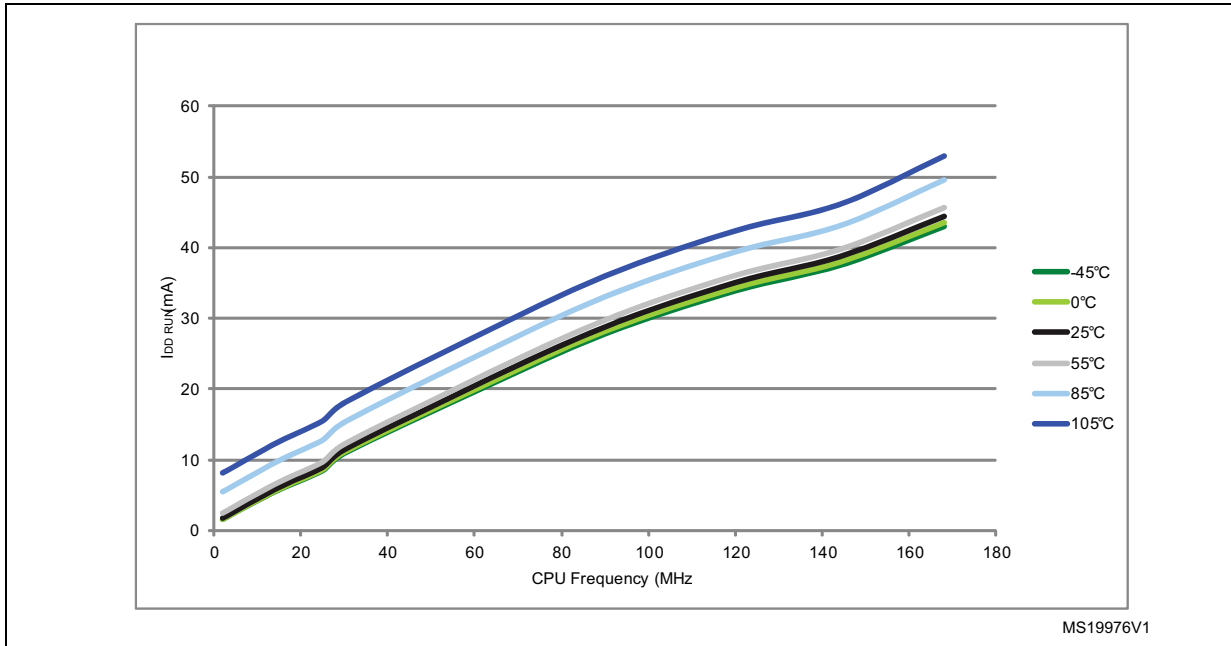


Figure 27. Typical current consumption versus temperature, Run mode, code with data processing running from Flash (ART accelerator OFF) or RAM, and peripherals ON

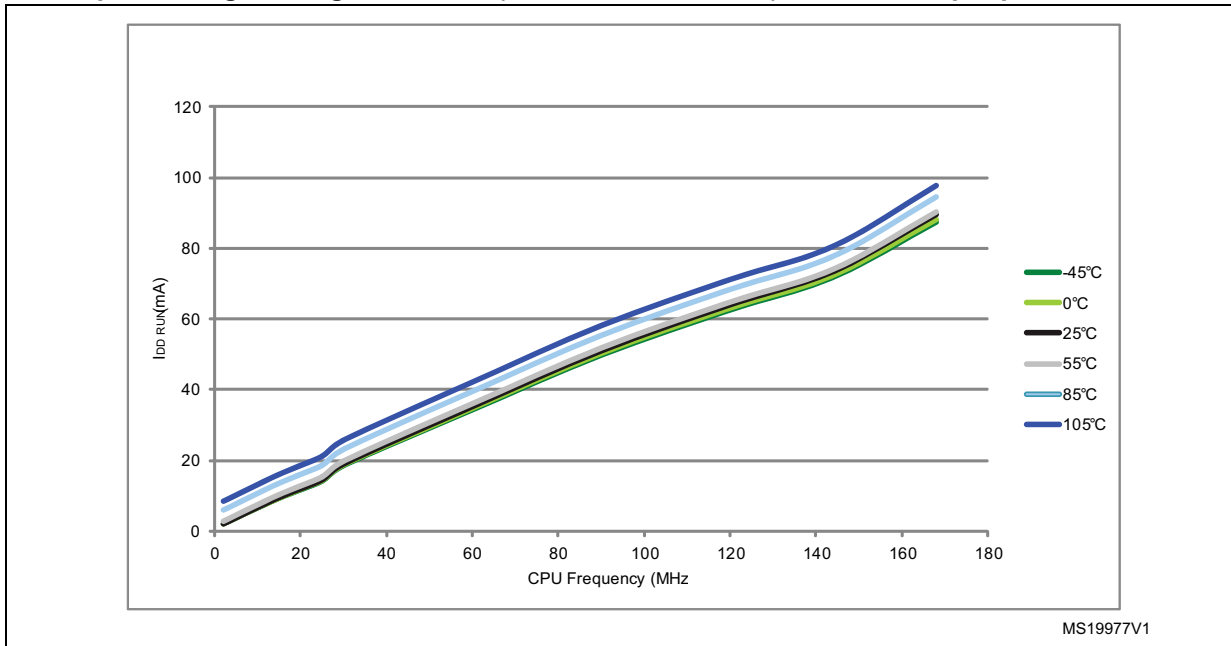


Table 22. Typical and maximum current consumption in Sleep mode

| Symbol | Parameter | Conditions | f _{HCLK} | Typ | Max ⁽¹⁾ | | Unit |
|-----------------|------------------------------|--|-------------------|------------------------|------------------------|-------------------------|------|
| | | | | T _A = 25 °C | T _A = 85 °C | T _A = 105 °C | |
| I _{DD} | Supply current in Sleep mode | External clock ⁽²⁾ , all peripherals enabled ⁽³⁾ | 168 MHz | 59 | 77 | 84 | mA |
| | | | 144 MHz | 46 | 61 | 67 | |
| | | | 120 MHz | 38 | 53 | 60 | |
| | | | 90 MHz | 30 | 44 | 51 | |
| | | | 60 MHz | 20 | 34 | 41 | |
| | | | 30 MHz | 11 | 24 | 31 | |
| | | | 25 MHz | 8 | 21 | 28 | |
| | | | 16 MHz | 6 | 18 | 25 | |
| | | | 8 MHz | 3 | 16 | 23 | |
| | | | 4 MHz | 2 | 15 | 22 | |
| | | 2 MHz | 2 | 14 | 21 | | |
| | | External clock ⁽²⁾ , all peripherals disabled | 168 MHz | 12 | 27 | 35 | |
| | | | 144 MHz | 9 | 22 | 29 | |
| | | | 120 MHz | 8 | 20 | 28 | |
| | | | 90 MHz | 7 | 19 | 26 | |
| | | | 60 MHz | 5 | 17 | 24 | |
| | | | 30 MHz | 3 | 16 | 23 | |
| | | | 25 MHz | 2 | 15 | 22 | |
| | | | 16 MHz | 2 | 14 | 21 | |
| | | | 8 MHz | 1 | 14 | 21 | |
| 4 MHz | 1 | | 13 | 21 | | | |
| 2 MHz | 1 | 13 | 21 | | | | |

1. Guaranteed by characterization, tested in production at V_{DD} max and f_{HCLK} max with peripherals enabled.
2. External clock is 4 MHz and PLL is on when f_{HCLK} > 25 MHz.
3. Add an additional power consumption of 1.6 mA per ADC for the analog part. In applications, this consumption occurs only while the ADC is ON (ADON bit is set in the ADC_CR2 register).

Table 23. Typical and maximum current consumptions in Stop mode

| Symbol | Parameter | Conditions | Typ | Max | | | | Unit |
|----------------------|---|---|------------------------|------------------------|------------------------|-------------------------|----|------|
| | | | T _A = 25 °C | T _A = 25 °C | T _A = 85 °C | T _A = 105 °C | | |
| I _{DD_STOP} | Supply current in Stop mode with main regulator in Run mode | Flash in Stop mode, low-speed and high-speed internal RC oscillators and high-speed oscillator OFF (no independent watchdog) | 0.45 | 1.5 | 11.00 | 20.00 | mA | |
| | | Flash in Deep power-down mode, low-speed and high-speed internal RC oscillators and high-speed oscillator OFF (no independent watchdog) | 0.40 | 1.5 | 11.00 | 20.00 | | |
| | Supply current in Stop mode with main regulator in Low-power mode | Flash in Stop mode, low-speed and high-speed internal RC oscillators and high-speed oscillator OFF (no independent watchdog) | 0.31 | 1.1 | 8.00 | 15.00 | | |
| | | Flash in Deep power-down mode, low-speed and high-speed internal RC oscillators and high-speed oscillator OFF (no independent watchdog) | 0.28 | 1.1 | 8.00 | 15.00 | | |

Table 24. Typical and maximum current consumptions in Standby mode

| Symbol | Parameter | Conditions | Typ | | | Max ⁽¹⁾ | | Unit |
|----------------------|--------------------------------|--|-------------------------|-------------------------|-------------------------|-------------------------|-------------------------|------|
| | | | T _A = 25 °C | | | T _A = 85 °C | T _A = 105 °C | |
| | | | V _{DD} = 1.8 V | V _{DD} = 2.4 V | V _{DD} = 3.3 V | V _{DD} = 3.6 V | | |
| I _{DD_STBY} | Supply current in Standby mode | Backup SRAM ON, low-speed oscillator and RTC ON | 3.0 | 3.4 | 4.0 | 20 | 36 | µA |
| | | Backup SRAM OFF, low-speed oscillator and RTC ON | 2.4 | 2.7 | 3.3 | 16 | 32 | |
| | | Backup SRAM ON, RTC OFF | 2.4 | 2.6 | 3.0 | 12.5 | 24.8 | |
| | | Backup SRAM OFF, RTC OFF | 1.7 | 1.9 | 2.2 | 9.8 | 19.2 | |

1. Guaranteed by characterization.

Table 25. Typical and maximum current consumptions in V_{BAT} mode

| Symbol | Parameter | Conditions | Typ | | | Max ⁽¹⁾ | | Unit |
|---------------------------|------------------------------|--|--------------------------|--------------------------|--------------------------|--------------------------|-------------------------|------|
| | | | T _A = 25 °C | | | T _A = 85 °C | T _A = 105 °C | |
| | | | V _{BAT} = 1.8 V | V _{BAT} = 2.4 V | V _{BAT} = 3.3 V | V _{BAT} = 3.6 V | | |
| I _{DD_VBAT} T | Backup domain supply current | Backup SRAM ON, low-speed oscillator and RTC ON | 1.29 | 1.42 | 1.68 | 6 | 11 | μA |
| | | Backup SRAM OFF, low-speed oscillator and RTC ON | 0.62 | 0.73 | 0.96 | 3 | 5 | |
| | | Backup SRAM ON, RTC OFF | 0.79 | 0.81 | 0.86 | 5 | 10 | |
| | | Backup SRAM OFF, RTC OFF | 0.10 | 0.10 | 0.10 | 2 | 4 | |

1. Guaranteed by characterization.

Figure 28. Typical V_{BAT} current consumption (LSE and RTC ON/backup RAM OFF)

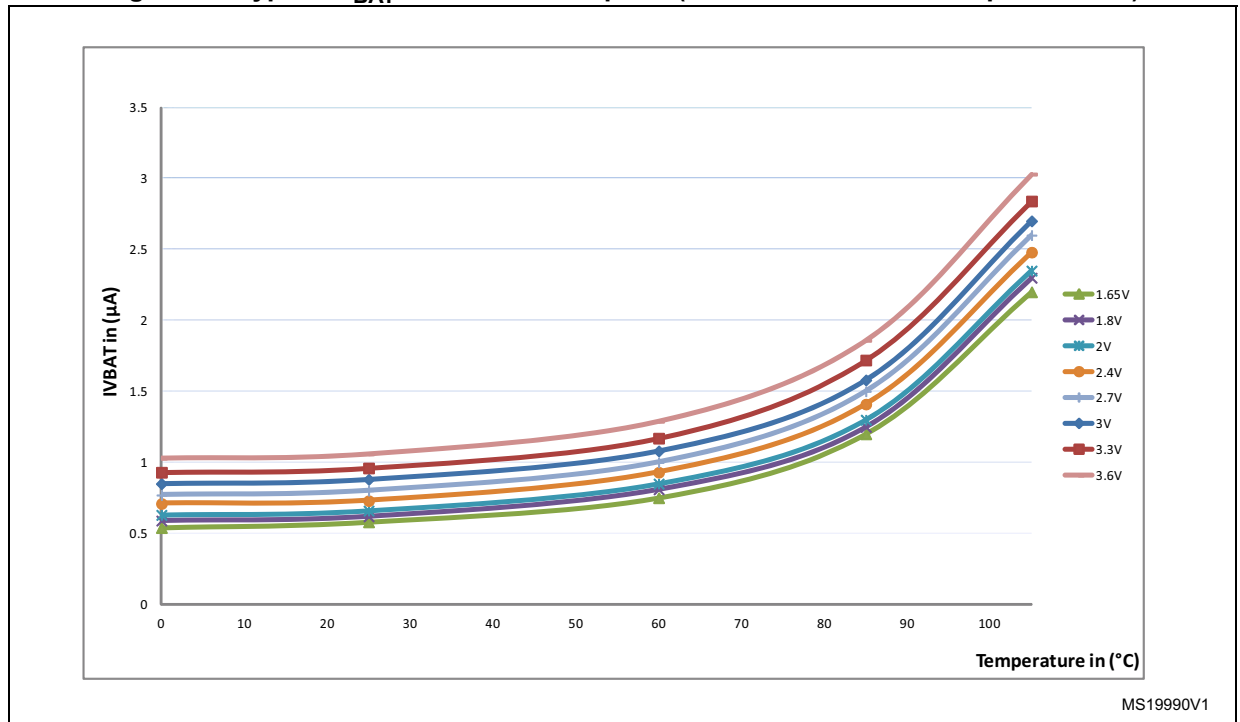
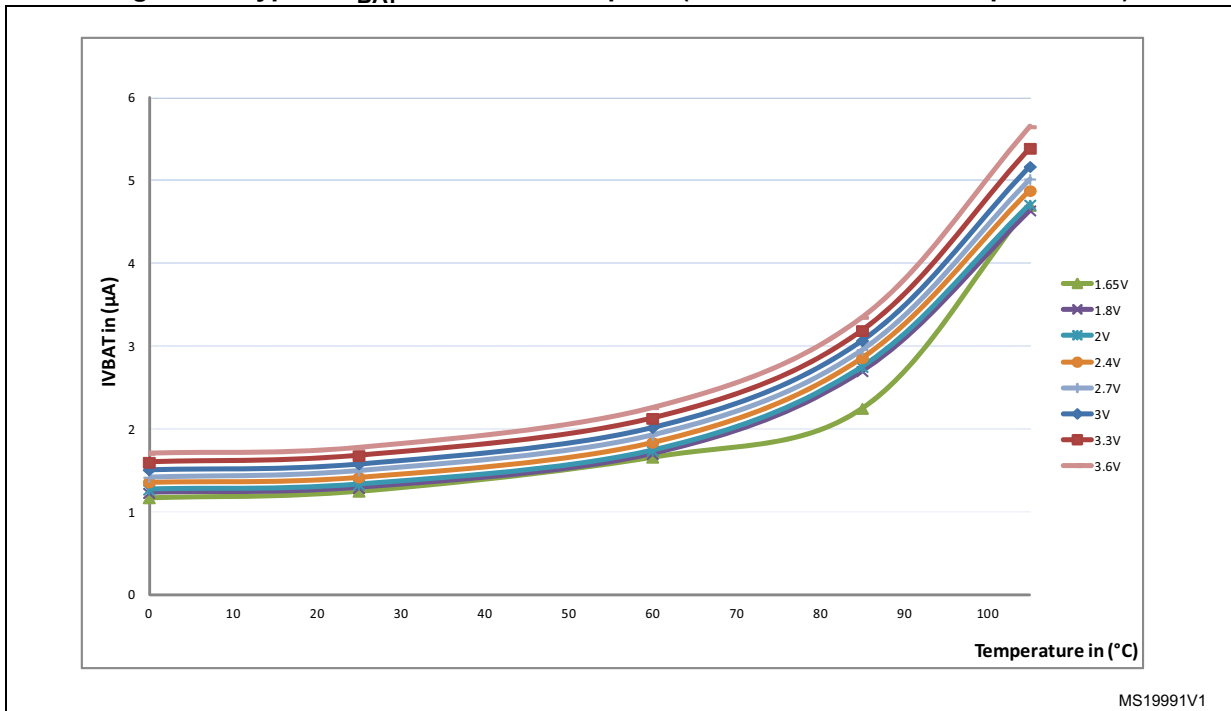


Figure 29. Typical V_{BAT} current consumption (LSE and RTC ON/backup RAM ON)



Additional current consumption

The MCU is placed under the following conditions:

- All I/O pins are configured in analog mode.
- The Flash memory access time is adjusted to f_{HCLK} frequency.
- The voltage scaling is adjusted to f_{HCLK} frequency as follows:
 - Scale 2 for $f_{HCLK} \leq 144$ MHz
 - Scale 1 for $144 \text{ MHz} < f_{HCLK} \leq 168$ MHz.
- The system clock is HCLK, $f_{PCLK1} = f_{HCLK}/4$, and $f_{PCLK2} = f_{HCLK}/2$.
- The HSE crystal clock frequency is 25 MHz.
- $T_A = 25$ °C.

Table 26. Typical current consumption in Run mode, code with data processing running from Flash memory, regulator ON (ART accelerator enabled except prefetch), $V_{DD} = 1.8$ V⁽¹⁾

| Symbol | Parameter | Conditions | f_{HCLK} (MHz) | Typ. at $T_A = 25$ °C | Unit |
|--------|----------------------------|-------------------------|------------------|-----------------------|------|
| IDD | Supply current in Run mode | All peripheral disabled | 160 | 36.2 | mA |
| | | | 144 | 29.3 | |
| | | | 120 | 24.7 | |
| | | | 90 | 19.3 | |
| | | | 60 | 13.4 | |
| | | | 30 | 7.7 | |
| | | | 25 | 6.0 | |

1. When peripherals are enabled, the power consumption corresponding to the analog part of the peripherals (such as ADC or DAC) is not included.

I/O system current consumption

The current consumption of the I/O system has two components: static and dynamic.

I/O static current consumption

All the I/Os used as inputs with pull-up generate current consumption when the pin is externally held low. The value of this current consumption can be simply computed by using the pull-up/pull-down resistors values given in [Table 48: I/O static characteristics](#).

For the output pins, any external pull-down or external load must also be considered to estimate the current consumption.

Additional I/O current consumption is due to I/Os configured as inputs if an intermediate voltage level is externally applied. This current consumption is caused by the input Schmitt trigger circuits used to discriminate the input value. Unless this specific configuration is required by the application, this supply current consumption can be avoided by configuring these I/Os in analog mode. This is notably the case of ADC input pins which should be configured as analog inputs.

Caution: Any floating input pin can also settle to an intermediate voltage level or switch inadvertently, as a result of external electromagnetic noise. To avoid current consumption related to



floating pins, they must either be configured in analog mode, or forced internally to a definite digital value. This can be done either by using pull-up/down resistors or by configuring the pins in output mode.

I/O dynamic current consumption

In addition to the internal peripheral current consumption measured previously (see [Table 28: Peripheral current consumption](#)), the I/Os used by an application also contribute to the current consumption. When an I/O pin switches, it uses the current from the MCU supply voltage to supply the I/O pin circuitry and to charge/discharge the capacitive load (internal or external) connected to the pin:

$$I_{SW} = V_{DD} \times f_{SW} \times C$$

where

I_{SW} is the current sunk by a switching I/O to charge/discharge the capacitive load

V_{DD} is the MCU supply voltage

f_{SW} is the I/O switching frequency

C is the total capacitance seen by the I/O pin: $C = C_{INT} + C_{EXT}$

The test pin is configured in push-pull output mode and is toggled by software at a fixed frequency.

Table 27. Switching output I/O current consumption

| Symbol | Parameter | Conditions ⁽¹⁾ | I/O toggling frequency (f _{SW}) | Typ | Unit |
|---|-----------------------|---|---|------|------|
| I _{DDIO} | I/O switching current | V _{DD} = 3.3 V ⁽²⁾ C = C _{INT} | 2 MHz | 0.02 | mA |
| | | | 8 MHz | 0.14 | |
| | | | 25 MHz | 0.51 | |
| | | | 50 MHz | 0.86 | |
| | | | 60 MHz | 1.30 | |
| | | V _{DD} = 3.3 V C _{EXT} = 0 pF C = C _{INT} + C _{EXT} + C _S | 2 MHz | 0.10 | |
| | | | 8 MHz | 0.38 | |
| | | | 25 MHz | 1.18 | |
| | | | 50 MHz | 2.47 | |
| | | | 60 MHz | 2.86 | |
| | | V _{DD} = 3.3 V C _{EXT} = 10 pF C = C _{INT} + C _{EXT} + C _S | 2 MHz | 0.17 | |
| | | | 8 MHz | 0.66 | |
| | | | 25 MHz | 1.70 | |
| | | | 50 MHz | 2.65 | |
| | | | 60 MHz | 3.48 | |
| | | V _{DD} = 3.3 V C _{EXT} = 22 pF C = C _{INT} + C _{EXT} + C _S | 2 MHz | 0.23 | |
| | | | 8 MHz | 0.95 | |
| | | | 25 MHz | 3.20 | |
| | | | 50 MHz | 4.69 | |
| | | | 60 MHz | 8.06 | |
| V _{DD} = 3.3 V C _{EXT} = 33 pF C = C _{INT} + C _{EXT} + C _S | 2 MHz | 0.30 | | | |
| | 8 MHz | 1.22 | | | |
| | 25 MHz | 3.90 | | | |
| | 50 MHz | 8.82 | | | |
| | 60 MHz | -(³) | | | |

1. C_S is the PCB board capacitance including the pad pin. C_S = 7 pF (estimated value).
2. This test is performed by cutting the LQFP package pin (pad removal).
3. At 60 MHz, C maximum load is specified 30 pF.

On-chip peripheral current consumption

The current consumption of the on-chip peripherals is given in [Table 28](#). The MCU is placed under the following conditions:

- At startup, all I/O pins are configured as analog pins by firmware.
- All peripherals are disabled unless otherwise mentioned
- The code is running from Flash memory and the Flash memory access time is equal to 5 wait states at 168 MHz.
- The code is running from Flash memory and the Flash memory access time is equal to 4 wait states at 144 MHz, and the power scale mode is set to 2.
- The ART accelerator is ON.
- The given value is calculated by measuring the difference of current consumption
 - with all peripherals clocked off
 - with one peripheral clocked on (with only the clock applied)
- When the peripherals are enabled: HCLK is the system clock, $f_{PCLK1} = f_{HCLK}/4$, and $f_{PCLK2} = f_{HCLK}/2$.
- The typical values are obtained for $V_{DD} = 3.3\text{ V}$ and $T_A = 25\text{ }^\circ\text{C}$, unless otherwise specified.

Table 28. Peripheral current consumption

| Peripheral | | $I_{DD}(\text{Typ})^{(1)}$ | | Unit |
|-------------------------|--|----------------------------|---------------------------|--------------------------|
| | | Scale1 (up t 168 MHz) | Scale2 (up to 144 MHz) | |
| AHB1 (up to 168 MHz) | GPIOA | 2.70 | 2.40 | $\mu\text{A}/\text{MHz}$ |
| | GPIOB | 2.50 | 2.22 | |
| | GPIOC | 2.54 | 2.28 | |
| | GIOD | 2.55 | 2.28 | |
| | GPIOE | 2.68 | 2.40 | |
| | GPIOF | 2.53 | 2.28 | |
| | GPIOG | 2.51 | 2.22 | |
| | GPIOH | 2.51 | 2.22 | |
| | GPIOI | 2.50 | 2.22 | |
| | OTG_HS+ULPI | 28.33 | 25.38 | |
| | CRC | 0.41 | 0.40 | |
| | BKPSRAM | 0.63 | 0.58 | |
| | DMA1 | 37.44 | 33.58 | |
| | DMA2 | 37.69 | 33.93 | |
| | ETH_MAC ETH_MAC_TX ETH_MAC_RX ETH_MAC_PTP | 20.43 | 18.39 | |

Table 28. Peripheral current consumption (continued)

| Peripheral | | I _{DD} (Typ) ⁽¹⁾ | | Unit |
|---------------------------|--------|--------------------------------------|---------------------------|--------|
| | | Scale1 (up to 168 MHz) | Scale2 (up to 144 MHz) | |
| AHB2 (up to 168 MHz) | OTG_FS | 26.45 | 26.67 | μA/MHz |
| | DCMI | 5.87 | 5.35 | |
| | RNG | 1.50 | 1.67 | |
| | Hash | 9.73 | 8.86 | |
| | Crypto | 2.23 | 2.08 | |
| AHB3 (up to 168 MHz) | FSMC | 12.46 | 11.31 | μA/MHz |
| Bus matrix ⁽²⁾ | | 13.10 | 11.81 | μA/MHz |

Table 28. Peripheral current consumption (continued)

| Peripheral | | I _{DD} (Typ) ⁽¹⁾ | | Unit |
|------------------------|---------------------|--------------------------------------|---------------------------|--------|
| | | Scale1 (up t 168 MHz) | Scale2 (up to 144 MHz) | |
| APB1 (up to 42 MHz) | TIM2 | 16.71 | 16.50 | μA/MHz |
| | TIM3 | 12.33 | 11.94 | |
| | TIM4 | 13.45 | 12.92 | |
| | TIM5 | 17.14 | 16.58 | |
| | TIM6 | 2.43 | 3.06 | |
| | TIM7 | 2.43 | 2.22 | |
| | TIM12 | 6.62 | 6.83 | |
| | TIM13 | 5.05 | 5.47 | |
| | TIM14 | 5.26 | 5.61 | |
| | PWR | 1.00 | 0.56 | |
| | USART2 | 2.69 | 2.78 | |
| | USART3 | 2.74 | 2.78 | |
| | UART4 | 3.24 | 3.33 | |
| | UART5 | 2.69 | 2.78 | |
| | I2C1 | 2.67 | 2.50 | |
| | I2C2 | 2.83 | 2.78 | |
| | I2C3 | 2.81 | 2.78 | |
| | SPI2 | 2.43 | 2.22 | |
| | SPI3 | 2.43 | 2.22 | |
| | I2S2 ⁽³⁾ | 2.43 | 2.22 | |
| | I2S3 ⁽³⁾ | 2.26 | 2.22 | |
| | CAN1 | 5.12 | 5.56 | |
| | CAN2 | 4.81 | 5.28 | |
| DAC ⁽⁴⁾ | 1.67 | 1.67 | | |
| WWDG | 1.00 | 0.83 | | |

Table 28. Peripheral current consumption (continued)

| Peripheral | | $I_{DD}(Typ)^{(1)}$ | | Unit |
|------------------------|---------------------|--------------------------|---------------------------|-------------|
| | | Scale1 (up t 168 MHz) | Scale2 (up to 144 MHz) | |
| APB2 (up to 84 MHz) | SDIO | 7.08 | 7.92 | $\mu A/MHz$ |
| | TIM1 | 16.79 | 15.51 | |
| | TIM8 | 17.88 | 16.53 | |
| | TIM9 | 7.64 | 7.28 | |
| | TIM10 | 4.89 | 4.82 | |
| | TIM11 | 5.19 | 4.82 | |
| | ADC1 ⁽⁵⁾ | 4.67 | 4.58 | |
| | ADC2 ⁽⁵⁾ | 4.67 | 4.58 | |
| | ADC3 ⁽⁵⁾ | 4.43 | 4.44 | |
| | SPI1 | 1.32 | 1.39 | |
| | USART1 | 3.51 | 3.72 | |
| | USART6 | 3.55 | 3.75 | |
| | SYSCFG | 0.74 | 0.56 | |

1. When the I/O compensation cell is ON, I_{DD} typical value increases by 0.22 mA.
2. The BusMatrix is automatically active when at least one master is ON.
3. To enable an I2S peripheral, first set the I2SMOD bit and then the I2SE bit in the SPI_I2SCFGR register.
4. When the DAC is ON and EN1/2 bits are set in DAC_CR register, add an additional power consumption of 0.8 mA per DAC channel for the analog part.
5. When the ADC is ON (ADON bit set in the ADC_CR2 register), add an additional power consumption of 1.6 mA per ADC for the analog part.

5.3.7 Wakeup time from low-power mode

The wakeup times given in [Table 29](#) is measured on a wakeup phase with a 16 MHz HSI RC oscillator. The clock source used to wake up the device depends from the current operating mode:

- Stop or Standby mode: the clock source is the RC oscillator
- Sleep mode: the clock source is the clock that was set before entering Sleep mode.

All timings are derived from tests performed under ambient temperature and V_{DD} supply voltage conditions summarized in [Table 14](#).

Table 29. Low-power mode wakeup timings

| Symbol | Parameter | Min ⁽¹⁾ | Typ ⁽¹⁾ | Max ⁽¹⁾ | Unit |
|------------------------|--|--------------------|--------------------|--------------------|-----------------|
| $t_{WUSLEEP}^{(2)}$ | Wakeup from Sleep mode | - | 5 | - | CPU clock cycle |
| $t_{WUSTOP}^{(2)}$ | Wakeup from Stop mode (regulator in Run mode and Flash memory in Stop mode) | - | 13 | - | μs |
| | Wakeup from Stop mode (regulator in low-power mode and Flash memory in Stop mode) | - | 17 | 40 | |
| | Wakeup from Stop mode (regulator in Run mode and Flash memory in Deep power-down mode) | - | 105 | - | |
| | Wakeup from Stop mode (regulator in low-power mode and Flash memory in Deep power-down mode) | - | 110 | - | |
| $t_{WUSTDBY}^{(2)(3)}$ | Wakeup from Standby mode | 260 | 375 | 480 | μs |

1. Guaranteed by characterization.
2. The wakeup times are measured from the wakeup event to the point in which the application code reads the first instruction.
3. $t_{WUSTDBY}$ minimum and maximum values are given at 105 °C and -45 °C, respectively.

5.3.8 External clock source characteristics

High-speed external user clock generated from an external source

The characteristics given in [Table 30](#) result from tests performed using an high-speed external clock source, and under ambient temperature and supply voltage conditions summarized in [Table 14](#).

Table 30. High-speed external user clock characteristics

| Symbol | Parameter | Conditions | Min | Typ | Max | Unit |
|------------------------------|---|----------------------------------|-------------|-----|-------------|------|
| f_{HSE_ext} | External user clock source frequency ⁽¹⁾ | - | 1 | - | 50 | MHz |
| V_{HSEH} | OSC_IN input pin high level voltage | | $0.7V_{DD}$ | - | V_{DD} | V |
| V_{HSEL} | OSC_IN input pin low level voltage | | V_{SS} | - | $0.3V_{DD}$ | |
| $t_{w(HSE)}$ $t_{w(HSE)}$ | OSC_IN high or low time ⁽¹⁾ | | 5 | - | - | ns |
| $t_{r(HSE)}$ $t_{r(HSE)}$ | OSC_IN rise or fall time ⁽¹⁾ | | - | - | 10 | |
| $C_{in(HSE)}$ | OSC_IN input capacitance ⁽¹⁾ | | - | - | 5 | pF |
| $DuCy_{(HSE)}$ | Duty cycle | | - | 45 | - | 55 |
| I_L | OSC_IN Input leakage current | $V_{SS} \leq V_{IN} \leq V_{DD}$ | - | - | ±1 | μA |

1. Guaranteed by design.

Low-speed external user clock generated from an external source

The characteristics given in [Table 31](#) result from tests performed using an low-speed external clock source, and under ambient temperature and supply voltage conditions summarized in [Table 14](#).

Table 31. Low-speed external user clock characteristics

| Symbol | Parameter | Conditions | Min | Typ | Max | Unit |
|------------------------------|---|----------------------------------|-------------|--------|-------------|---------|
| f_{LSE_ext} | User External clock source frequency ⁽¹⁾ | - | - | 32.768 | 1000 | kHz |
| V_{LSEH} | OSC32_IN input pin high level voltage | | $0.7V_{DD}$ | - | V_{DD} | V |
| V_{LSEL} | OSC32_IN input pin low level voltage | | V_{SS} | - | $0.3V_{DD}$ | |
| $t_{w(LSE)}$ $t_{f(LSE)}$ | OSC32_IN high or low time ⁽¹⁾ | | 450 | - | - | ns |
| $t_{r(LSE)}$ $t_{f(LSE)}$ | OSC32_IN rise or fall time ⁽¹⁾ | | - | - | 50 | |
| $C_{in(LSE)}$ | OSC32_IN input capacitance ⁽¹⁾ | - | - | 5 | - | pF |
| $DuCy_{(LSE)}$ | Duty cycle | - | 30 | - | 70 | % |
| I_L | OSC32_IN Input leakage current | $V_{SS} \leq V_{IN} \leq V_{DD}$ | - | - | ± 1 | μA |

1. Guaranteed by design.

Figure 30. High-speed external clock source AC timing diagram

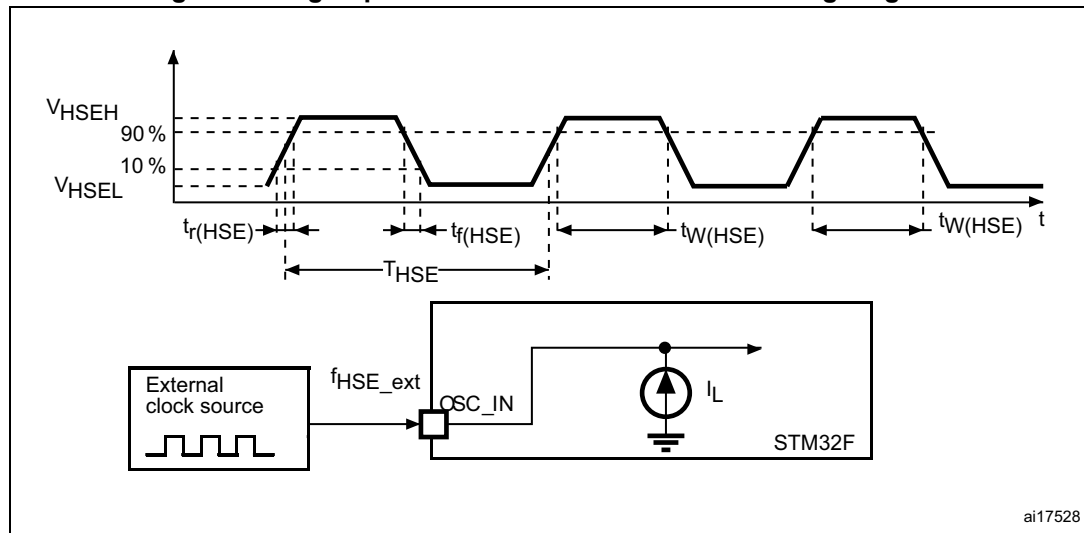
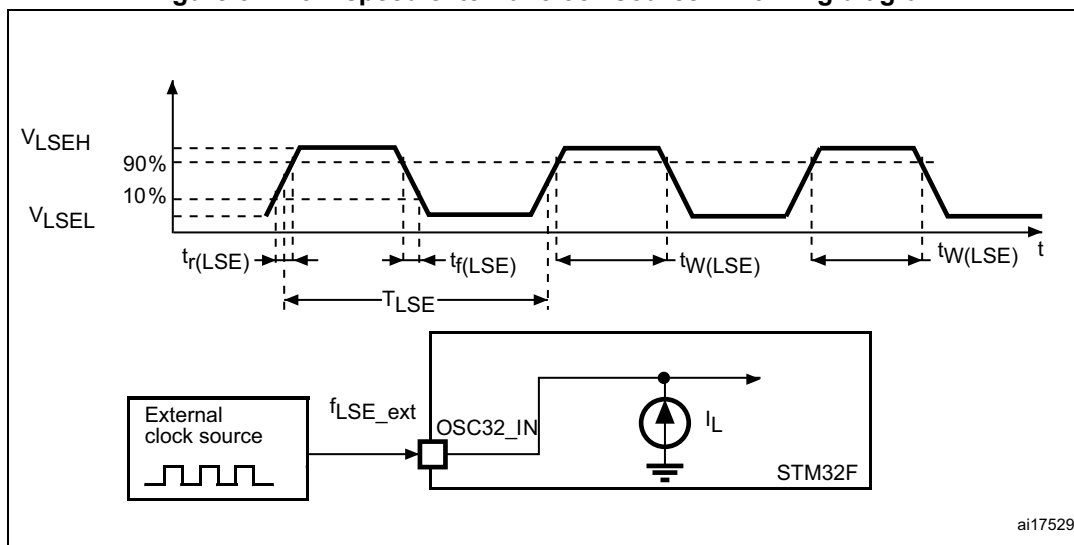


Figure 31. Low-speed external clock source AC timing diagram



High-speed external clock generated from a crystal/ceramic resonator

The high-speed external (HSE) clock can be supplied with a 4 to 26 MHz crystal/ceramic resonator oscillator. All the information given in this paragraph are based on characterization results obtained with typical external components specified in Table 32. In the application, the resonator and the load capacitors have to be placed as close as possible to the oscillator pins in order to minimize output distortion and startup stabilization time. Refer to the crystal resonator manufacturer for more details on the resonator characteristics (frequency, package, accuracy).

Table 32. HSE 4-26 MHz oscillator characteristics (1)

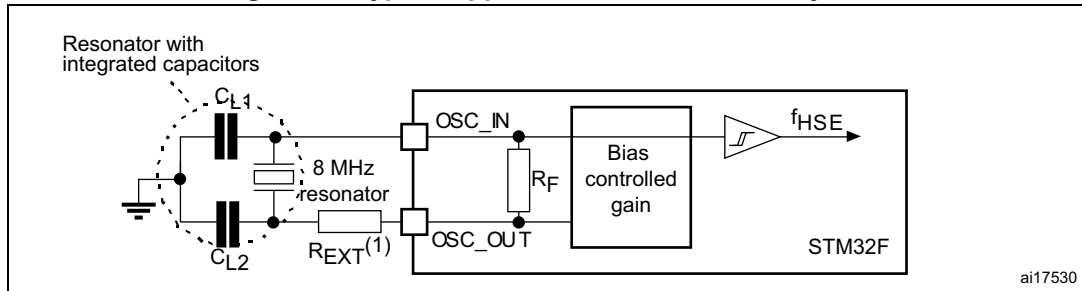
| Symbol | Parameter | Conditions | Min | Typ | Max | Unit |
|-------------------------------------|---|-------------------------------|-----|-----|-----|------|
| f _{OSC_IN} | Oscillator frequency | - | 4 | - | 26 | MHz |
| R _F | Feedback resistor | - | - | 200 | - | kΩ |
| G _m | Oscillator transconductance | Startup | 5 | - | - | mA/V |
| G _{mcritmax} | Maximum critical crystal G _m | | - | - | 1 | |
| t _{SU(HSE)} ⁽²⁾ | Startup time | V _{DD} is stabilized | - | 2 | - | ms |

1. Guaranteed by design.
2. Guaranteed by characterization. t_{SU(HSE)} is the startup time measured from the moment it is enabled (by software) to a stabilized 8 MHz oscillation is reached. This value is measured for a standard crystal resonator and can vary significantly with the crystal manufacturer

For C_{L1} and C_{L2}, it is recommended to use high-quality external ceramic capacitors in the 5 pF to 25 pF range (typ.), designed for high-frequency applications, and selected to match the requirements of the crystal or resonator (see Figure 32). C_{L1} and C_{L2} are usually the same size. The crystal manufacturer typically specifies a load capacitance which is the series combination of C_{L1} and C_{L2}. PCB and MCU pin capacitance must be included (10 pF can be used as a rough estimate of the combined pin and board capacitance) when sizing C_{L1} and C_{L2}.

Note: For information on electing the crystal, refer to the application note AN2867 “Oscillator design guide for ST microcontrollers” available from the ST website www.st.com.

Figure 32. Typical application with an 8 MHz crystal



1. R_{EXT} value depends on the crystal characteristics.

Low-speed external clock generated from a crystal/ceramic resonator

The low-speed external (LSE) clock can be supplied with a 32.768 kHz crystal/ceramic resonator oscillator. All the information given in this paragraph are based on characterization results obtained with typical external components specified in Table 33. In the application, the resonator and the load capacitors have to be placed as close as possible to the oscillator pins in order to minimize output distortion and startup stabilization time. Refer to the crystal resonator manufacturer for more details on the resonator characteristics (frequency, package, accuracy).

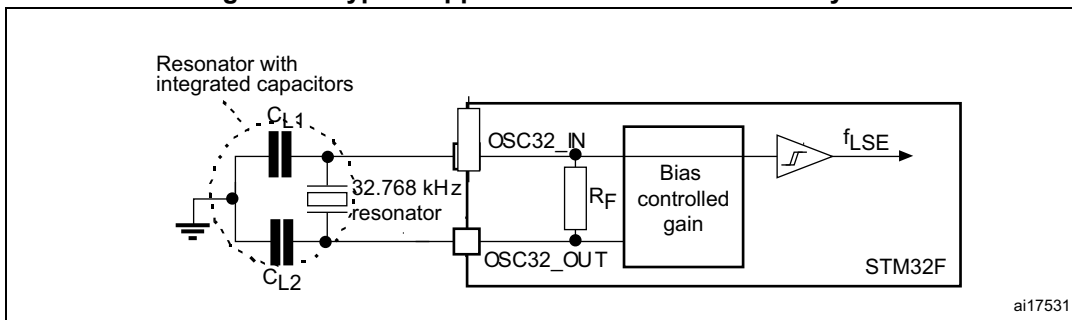
Table 33. LSE oscillator characteristics ($f_{LSE} = 32.768 \text{ kHz}$) (1)

| Symbol | Parameter | Conditions | Min | Typ | Max | Unit |
|-----------------------|--------------------------------|------------------------|-----|--------|------|-----------|
| f_{OSC_IN} | Oscillator frequency | - | - | 32.768 | - | MHz |
| R_F | Feedback resistor | - | - | 18.4 | - | $M\Omega$ |
| I_{DD} | LSE current consumption | - | - | - | 1 | μA |
| G_m | Oscillator transconductance | Startup | 2.8 | - | - | $\mu A/V$ |
| $G_{m\text{critmax}}$ | Maximum critical crystal G_m | | - | - | 0.56 | |
| $t_{SU(LSE)}^{(2)}$ | startup time | V_{DD} is stabilized | - | 2 | - | s |

- Guaranteed by design.
- Guaranteed by characterization. $t_{SU(LSE)}$ is the startup time measured from the moment it is enabled (by software) to a stabilized 32.768 kHz oscillation is reached. This value is measured for a standard crystal resonator and it can vary significantly with the crystal manufacturer

Note: For information on electing the crystal, refer to the application note AN2867 “Oscillator design guide for ST microcontrollers” available from the ST website www.st.com.

Figure 33. Typical application with a 32.768 kHz crystal



5.3.9 Internal clock source characteristics

The parameters given in [Table 34](#) and [Table 35](#) are derived from tests performed under ambient temperature and V_{DD} supply voltage conditions summarized in [Table 14](#).

High-speed internal (HSI) RC oscillator

Table 34. HSI oscillator characteristics (1)

| Symbol | Parameter | Conditions | Min | Typ | Max | Unit |
|------------------------------|---------------------------------------|--|-----|-----|-----|------|
| f_{HSI} | Frequency | - | - | 16 | - | MHz |
| ACC_{HSI} | HSI user trimming step ⁽²⁾ | - | - | - | 1 | % |
| | Accuracy of the HSI oscillator | $T_A = -40$ to 105 °C ⁽³⁾ | -8 | - | 4.5 | % |
| | | $T_A = -10$ to 85 °C ⁽³⁾ | -4 | - | 4 | % |
| | | $T_A = 25$ °C ⁽⁴⁾ | -1 | - | 1 | % |
| $t_{su(HSI)}$ ⁽²⁾ | HSI oscillator startup time | - | - | 2.2 | 4 | µs |
| $I_{DD(HSI)}$ ⁽²⁾ | HSI oscillator power consumption | - | - | 60 | 80 | µA |

- $V_{DD} = 3.3$ V, PLL OFF, $T_A = -40$ to 125 °C unless otherwise specified.
- Guaranteed by design.
- Guaranteed by characterization.
- Factory calibrated, parts not soldered.

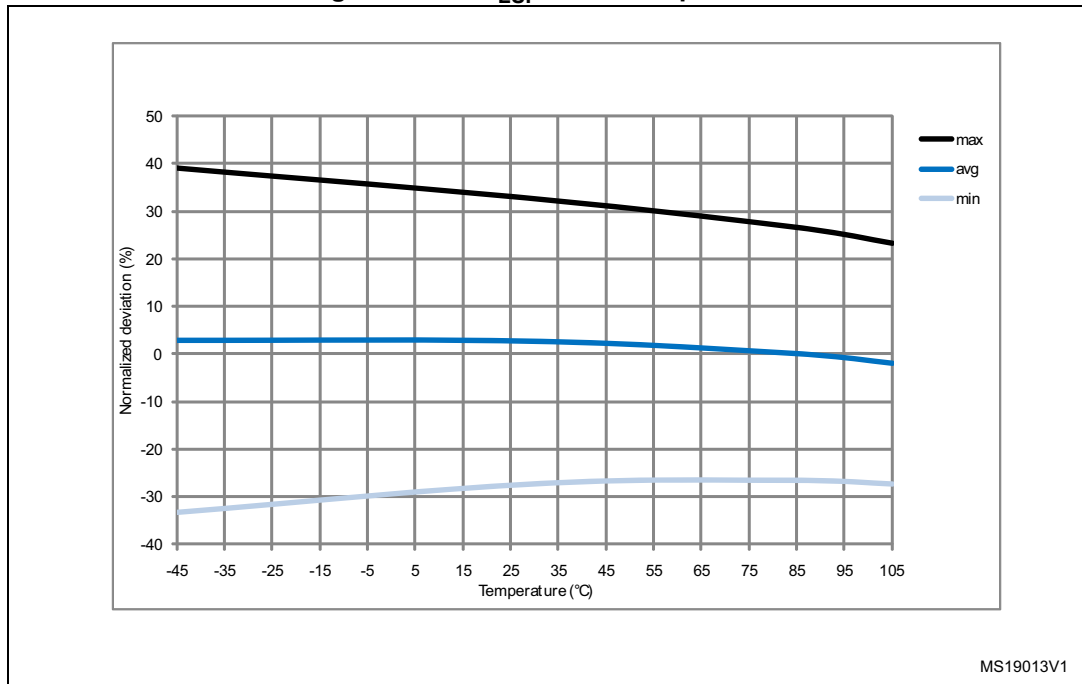
Low-speed internal (LSI) RC oscillator

Table 35. LSI oscillator characteristics (1)

| Symbol | Parameter | Min | Typ | Max | Unit |
|------------------------------|----------------------------------|-----|-----|-----|------|
| f_{LSI} ⁽²⁾ | Frequency | 17 | 32 | 47 | kHz |
| $t_{su(LSI)}$ ⁽³⁾ | LSI oscillator startup time | - | 15 | 40 | µs |
| $I_{DD(LSI)}$ ⁽³⁾ | LSI oscillator power consumption | - | 0.4 | 0.6 | µA |

- $V_{DD} = 3$ V, $T_A = -40$ to 105 °C unless otherwise specified.
- Guaranteed by characterization.
- Guaranteed by design.

Figure 34. ACC_{LSI} versus temperature



MS19013V1

5.3.10 PLL characteristics

The parameters given in [Table 36](#) and [Table 37](#) are derived from tests performed under temperature and V_{DD} supply voltage conditions summarized in [Table 14](#).

Table 36. Main PLL characteristics

| Symbol | Parameter | Conditions | Min | Typ | Max | Unit |
|------------------------|------------------------------------|--------------------|---------------------|-----|------|------|
| f _{PLL_IN} | PLL input clock ⁽¹⁾ | - | 0.95 ⁽²⁾ | 1 | 2.10 | MHz |
| f _{PLL_OUT} | PLL multiplier output clock | - | 24 | - | 168 | MHz |
| f _{PLL48_OUT} | 48 MHz PLL multiplier output clock | - | - | 48 | 75 | MHz |
| f _{VCO_OUT} | PLL VCO output | - | 100 | - | 432 | MHz |
| t _{LOCK} | PLL lock time | VCO freq = 100 MHz | 75 | - | 200 | μs |
| | | VCO freq = 432 MHz | 100 | - | 300 | |

Table 36. Main PLL characteristics (continued)

| Symbol | Parameter | Conditions | Min | Typ | Max | Unit | |
|--------------------------------------|--|--|--------------|-----|--------------|------|----|
| Jitter ⁽³⁾ | Cycle-to-cycle jitter | System clock 120 MHz | RMS | - | 25 | - | ps |
| | | | peak to peak | - | ±150 | - | |
| | Period Jitter | | RMS | - | 15 | - | |
| | | | peak to peak | - | ±200 | - | |
| | Main clock output (MCO) for RMI Ethernet | Cycle to cycle at 50 MHz on 1000 samples | - | 32 | - | | |
| | Main clock output (MCO) for MII Ethernet | Cycle to cycle at 25 MHz on 1000 samples | - | 40 | - | | |
| | Bit Time CAN jitter | Cycle to cycle at 1 MHz on 1000 samples | - | 330 | - | | |
| I _{DD(PLL)} ⁽⁴⁾ | PLL power consumption on VDD | VCO freq = 100 MHz VCO freq = 432 MHz | 0.15 0.45 | - | 0.40 0.75 | mA | |
| I _{DDA(PLL)} ⁽⁴⁾ | PLL power consumption on VDDA | VCO freq = 100 MHz VCO freq = 432 MHz | 0.30 0.55 | - | 0.40 0.85 | mA | |

1. Take care of using the appropriate division factor M to obtain the specified PLL input clock values. The M factor is shared between PLL and PLLI2S.
2. Guaranteed by design.
3. The use of 2 PLLs in parallel could degraded the Jitter up to +30%.
4. Guaranteed by characterization.

Table 37. PLLI2S (audio PLL) characteristics

| Symbol | Parameter | Conditions | Min | Typ | Max | Unit | |
|-------------------------|--|--|---------------------|-----|------|------|----|
| f _{PLLI2S_IN} | PLLI2S input clock ⁽¹⁾ | - | 0.95 ⁽²⁾ | 1 | 2.10 | MHz | |
| f _{PLLI2S_OUT} | PLLI2S multiplier output clock | - | - | - | 216 | MHz | |
| f _{VCO_OUT} | PLLI2S VCO output | - | 100 | - | 432 | MHz | |
| t _{LOCK} | PLLI2S lock time | VCO freq = 100 MHz | 75 | - | 200 | µs | |
| | | VCO freq = 432 MHz | 100 | - | 300 | | |
| Jitter ⁽³⁾ | Master I ² S clock jitter | Cycle to cycle at 12.288 MHz on 48KHz period, N=432, R=5 | RMS | - | 90 | - | ps |
| | | | peak to peak | - | ±280 | - | |
| | Average frequency of 12.288 MHz N = 432, R = 5 on 1000 samples | - | 90 | - | ps | | |
| | WS I ² S clock jitter | Cycle to cycle at 48 KHz on 1000 samples | - | 400 | - | ps | |

Table 37. PLLI2S (audio PLL) characteristics (continued)

| Symbol | Parameter | Conditions | Min | Typ | Max | Unit |
|-------------------------|---------------------------------------|--|--------------|-----|--------------|------|
| $I_{DD(PLLI2S)}^{(4)}$ | PLLI2S power consumption on V_{DD} | VCO freq = 100 MHz VCO freq = 432 MHz | 0.15 0.45 | - | 0.40 0.75 | mA |
| $I_{DDA(PLLI2S)}^{(4)}$ | PLLI2S power consumption on V_{DDA} | VCO freq = 100 MHz VCO freq = 432 MHz | 0.30 0.55 | - | 0.40 0.85 | mA |

1. Take care of using the appropriate division factor M to have the specified PLL input clock values.
2. Guaranteed by design.
3. Value given with main PLL running.
4. Guaranteed by characterization.

5.3.11 PLL spread spectrum clock generation (SSCG) characteristics

The spread spectrum clock generation (SSCG) feature allows to reduce electromagnetic interferences (see [Table 44: EMI characteristics](#)). It is available only on the main PLL.

Table 38. SSCG parameters constraint

| Symbol | Parameter | Min | Typ | Max ⁽¹⁾ | Unit |
|-------------------|-----------------------|------|-----|--------------------|------|
| f_{Mod} | Modulation frequency | - | - | 10 | KHz |
| md | Peak modulation depth | 0.25 | - | 2 | % |
| MODEPER * INCSTEP | | - | - | $2^{15}-1$ | - |

1. Guaranteed by design.

Equation 1

The frequency modulation period (MODEPER) is given by the equation below:

$$MODEPER = \text{round}[f_{PLL_IN} / (4 \times f_{Mod})]$$

f_{PLL_IN} and f_{Mod} must be expressed in Hz.

As an example:

If $f_{PLL_IN} = 1$ MHz, and $f_{MOD} = 1$ kHz, the modulation depth (MODEPER) is given by equation 1:

$$MODEPER = \text{round}[10^6 / (4 \times 10^3)] = 250$$

Equation 2

Equation 2 allows to calculate the increment step (INCSTEP):

$$INCSTEP = \text{round}[(2^{15} - 1) \times md \times PLLN / (100 \times 5 \times MODEPER)]$$

f_{VCO_OUT} must be expressed in MHz.

With a modulation depth (md) = ±2 % (4 % peak to peak), and PLLN = 240 (in MHz):

$$INCSTEP = \text{round}[\frac{(2^{15} - 1) \times 2 \times 240}{(100 \times 5 \times 250)}] = 126\text{md(quantized)\%}$$

An amplitude quantization error may be generated because the linear modulation profile is obtained by taking the quantized values (rounded to the nearest integer) of MODPER and INCSTEP. As a result, the achieved modulation depth is quantized. The percentage quantized modulation depth is given by the following formula:

$$\text{md}_{\text{quantized}}\% = \frac{\text{MODEPER} \times \text{INCSTEP} \times 100 \times 5}{(2^{15} - 1) \times \text{PLLN}}$$

As a result:

$$\text{md}_{\text{quantized}}\% = \frac{(250 \times 126 \times 100 \times 5)}{(2^{15} - 1) \times 240} = 2.002\%(\text{peak})$$

Figure 35 and Figure 36 show the main PLL output clock waveforms in center spread and down spread modes, where:

- F0 is f_{PLL_OUT} nominal.
- T_{mode} is the modulation period.
- md is the modulation depth.

Figure 35. PLL output clock waveforms in center spread mode

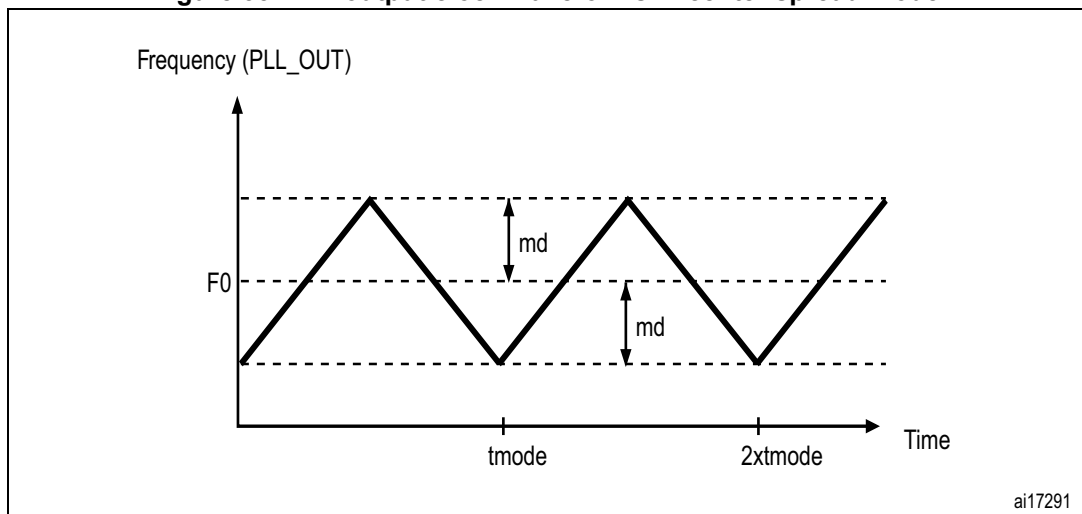
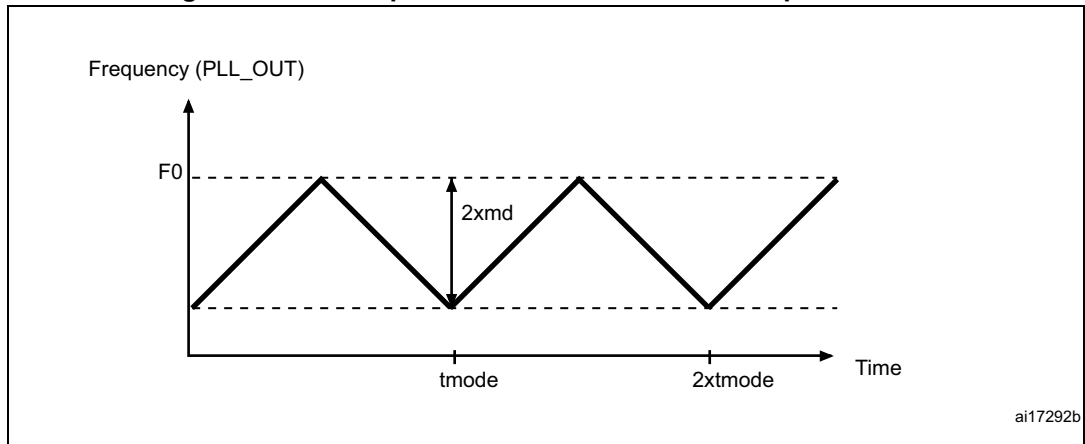


Figure 36. PLL output clock waveforms in down spread mode



5.3.12 Memory characteristics

Flash memory

The characteristics are given at $T_A = -40$ to 105 °C unless otherwise specified.

The devices are shipped to customers with the Flash memory erased.

Table 39. Flash memory characteristics

| Symbol | Parameter | Conditions | Min | Typ | Max | Unit |
|----------|----------------|---|-----|-----|-----|------|
| I_{DD} | Supply current | Write / Erase 8-bit mode, $V_{DD} = 1.8$ V | - | 5 | - | mA |
| | | Write / Erase 16-bit mode, $V_{DD} = 2.1$ V | - | 8 | - | |
| | | Write / Erase 32-bit mode, $V_{DD} = 3.3$ V | - | 12 | - | |

Table 40. Flash memory programming

| Symbol | Parameter | Conditions | Min ⁽¹⁾ | Typ | Max ⁽¹⁾ | Unit |
|-----------------|---------------------------|---|--------------------|------|--------------------|---------|
| t_{prog} | Word programming time | Program/erase parallelism (PSIZE) = x 8/16/32 | - | 16 | 100 ⁽²⁾ | μ s |
| $t_{ERASE16KB}$ | Sector (16 KB) erase time | Program/erase parallelism (PSIZE) = x 8 | - | 400 | 800 | ms |
| | | Program/erase parallelism (PSIZE) = x 16 | - | 300 | 600 | |
| | | Program/erase parallelism (PSIZE) = x 32 | - | 250 | 500 | |
| $t_{ERASE64KB}$ | Sector (64 KB) erase time | Program/erase parallelism (PSIZE) = x 8 | - | 1200 | 2400 | ms |
| | | Program/erase parallelism (PSIZE) = x 16 | - | 700 | 1400 | |
| | | Program/erase parallelism (PSIZE) = x 32 | - | 550 | 1100 | |

Table 40. Flash memory programming (continued)

| Symbol | Parameter | Conditions | Min ⁽¹⁾ | Typ | Max ⁽¹⁾ | Unit |
|-------------------------|----------------------------|--|--------------------|-----|--------------------|------|
| t _{ERASE128KB} | Sector (128 KB) erase time | Program/erase parallelism (PSIZE) = x 8 | - | 2 | 4 | s |
| | | Program/erase parallelism (PSIZE) = x 16 | - | 1.3 | 2.6 | |
| | | Program/erase parallelism (PSIZE) = x 32 | - | 1 | 2 | |
| t _{ME} | Mass erase time | Program/erase parallelism (PSIZE) = x 8 | - | 16 | 32 | s |
| | | Program/erase parallelism (PSIZE) = x 16 | - | 11 | 22 | |
| | | Program/erase parallelism (PSIZE) = x 32 | - | 8 | 16 | |
| V _{prog} | Programming voltage | 32-bit program operation | 2.7 | - | 3.6 | V |
| | | 16-bit program operation | 2.1 | - | 3.6 | V |
| | | 8-bit program operation | 1.8 | - | 3.6 | V |

1. Guaranteed by characterization.
2. The maximum programming time is measured after 100K erase operations.

Table 41. Flash memory programming with V_{PP}

| Symbol | Parameter | Conditions | Min ⁽¹⁾ | Typ | Max ⁽¹⁾ | Unit |
|---------------------------------|---|--|--------------------|-----|--------------------|------|
| t _{prog} | Double word programming | T _A = 0 to +40 °C V _{DD} = 3.3 V V _{PP} = 8.5 V | - | 16 | 100 ⁽²⁾ | µs |
| t _{ERASE16KB} | Sector (16 KB) erase time | | - | 230 | - | ms |
| t _{ERASE64KB} | Sector (64 KB) erase time | | - | 490 | - | |
| t _{ERASE128KB} | Sector (128 KB) erase time | | - | 875 | - | |
| t _{ME} | Mass erase time | | - | 6.9 | - | s |
| V _{prog} | Programming voltage | - | 2.7 | - | 3.6 | V |
| V _{PP} | V _{PP} voltage range | - | 7 | - | 9 | V |
| I _{PP} | Minimum current sunk on the V _{PP} pin | - | 10 | - | - | mA |
| t _{VPP} ⁽³⁾ | Cumulative time during which V _{PP} is applied | - | - | - | 1 | hour |

1. Guaranteed by design.
2. The maximum programming time is measured after 100K erase operations.
3. V_{PP} should only be connected during programming/erasing.

Table 42. Flash memory endurance and data retention

| Symbol | Parameter | Conditions | Value | Unit |
|------------------|----------------|---|--------------------|---------|
| | | | Min ⁽¹⁾ | |
| N _{END} | Endurance | T _A = -40 to +85 °C (6 suffix versions) T _A = -40 to +105 °C (7 suffix versions) | 10 | kcycles |
| t _{RET} | Data retention | 1 kcycle ⁽²⁾ at T _A = 85 °C | 30 | Years |
| | | 1 kcycle ⁽²⁾ at T _A = 105 °C | 10 | |
| | | 10 kcycles ⁽²⁾ at T _A = 55 °C | 20 | |

1. Guaranteed by characterization.
2. Cycling performed over the whole temperature range.

5.3.13 EMC characteristics

Susceptibility tests are performed on a sample basis during device characterization.

Functional EMS (electromagnetic susceptibility)

While a simple application is executed on the device (toggling 2 LEDs through I/O ports), the device is stressed by two electromagnetic events until a failure occurs. The failure is indicated by the LEDs:

- **Electrostatic discharge (ESD)** (positive and negative) is applied to all device pins until a functional disturbance occurs. This test is compliant with the IEC 61000-4-2 standard.
- **FTB:** A burst of fast transient voltage (positive and negative) is applied to V_{DD} and V_{SS} through a 100 pF capacitor, until a functional disturbance occurs. This test is compliant with the IEC 61000-4-4 standard.

A device reset allows normal operations to be resumed.

The test results are given in [Table 43](#). They are based on the EMS levels and classes defined in application note AN1709.

Table 43. EMS characteristics

| Symbol | Parameter | Conditions | Level/Class |
|------------|---|--|-------------|
| V_{FESD} | Voltage limits to be applied on any I/O pin to induce a functional disturbance | $V_{DD} = 3.3\text{ V}$, LQFP176, $T_A = +25\text{ °C}$, $f_{HCLK} = 168\text{ MHz}$, conforms to IEC 61000-4-2 | 2B |
| V_{EFTB} | Fast transient voltage burst limits to be applied through 100 pF on V_{DD} and V_{SS} pins to induce a functional disturbance | $V_{DD} = 3.3\text{ V}$, LQFP176, $T_A = +25\text{ °C}$, $f_{HCLK} = 168\text{ MHz}$, conforms to IEC 61000-4-2 | 4A |

Designing hardened software to avoid noise problems

EMC characterization and optimization are performed at component level with a typical application environment and simplified MCU software. It should be noted that good EMC performance is highly dependent on the user application and the software in particular.

Therefore it is recommended that the user applies EMC software optimization and prequalification tests in relation with the EMC level requested for his application.

Software recommendations

The software flowchart must include the management of runaway conditions such as:

- Corrupted program counter
- Unexpected reset
- Critical Data corruption (control registers...)

Prequalification trials

Most of the common failures (unexpected reset and program counter corruption) can be reproduced by manually forcing a low state on the NRST pin or the Oscillator pins for 1 second.

To complete these trials, ESD stress can be applied directly on the device, over the range of specification values. When unexpected behavior is detected, the software can be hardened to prevent unrecoverable errors occurring (see application note AN1015).

Electromagnetic Interference (EMI)

The electromagnetic field emitted by the device are monitored while a simple application, executing EEMBC² code, is running. This emission test is compliant with SAE IEC61967-2 standard which specifies the test board and the pin loading.

Table 44. EMI characteristics

| Symbol | Parameter | Conditions | Monitored frequency band | Max vs. [f _{HSE} /f _{CPU}] | Unit |
|------------------|------------|---|--------------------------|---|------|
| | | | | 25/168 MHz | |
| S _{EMI} | Peak level | V _{DD} = 3.3 V, T _A = 25 °C, LQFP176 package, conforming to SAE J1752/3 EEMBC, code running from Flash with ART accelerator enabled | 0.1 to 30 MHz | 32 | dBµV |
| | | | 30 to 130 MHz | 25 | |
| | | | 130 MHz to 1GHz | 29 | |
| | | | SAE EMI Level | 4 | - |
| | | V _{DD} = 3.3 V, T _A = 25 °C, LQFP176 package, conforming to SAE J1752/3 EEMBC, code running from Flash with ART accelerator and PLL spread spectrum enabled | 0.1 to 30 MHz | 19 | dBµV |
| | | | 30 to 130 MHz | 16 | |
| | | | 130 MHz to 1GHz | 18 | |
| | | | SAE EMI level | 3.5 | - |

5.3.14 Absolute maximum ratings (electrical sensitivity)

Stresses above the absolute maximum ratings listed in [Table 11: Voltage characteristics](#), [Table 12: Current characteristics](#), and [Table 13: Thermal characteristics](#) may cause permanent damage to the device. These are stress ratings only and the functional operation of the device at these conditions is not implied. Exposure to maximum rating conditions for extended periods may affect device reliability. Device mission profile (application conditions) is compliant with JEDEC JESD47 Qualification Standard, extended mission profiles are available on demand.

Electrostatic discharge (ESD)

Electrostatic discharges (a positive then a negative pulse separated by 1 second) are applied to the pins of each sample according to each pin combination. The sample size depends on the number of supply pins in the device (3 parts × (n+1) supply pins). This test conforms to the JESD22-A114/C101 standard.

Table 45. ESD absolute maximum ratings

| Symbol | Ratings | Conditions | Class | Maximum value ⁽¹⁾ | Unit |
|-----------------------|---|---|-------|------------------------------|------|
| V _{ESD(HBM)} | Electrostatic discharge voltage (human body model) | T _A = +25 °C conforming to JESD22-A114 | 2 | 2000 ⁽²⁾ | V |
| V _{ESD(CDM)} | Electrostatic discharge voltage (charge device model) | T _A = +25 °C conforming to ANSI/ESD STM5.3.1 | II | 500 | |

1. Guaranteed by characterization.



2. On V_{BAT} pin, V_{ESD(HBM)} is limited to 1000 V.

Static latchup

Two complementary static tests are required on six parts to assess the latchup performance:

- A supply overvoltage is applied to each power supply pin
- A current injection is applied to each input, output and configurable I/O pin

These tests are compliant with EIA/JESD 78A IC latchup standard.

Table 46. Electrical sensitivities

| Symbol | Parameter | Conditions | Class |
|--------|-----------------------|--|------------|
| LU | Static latch-up class | T _A = +105 °C conforming to JESD78A | II level A |

5.3.15 I/O current injection characteristics

As a general rule, current injection to the I/O pins, due to external voltage below V_{SS} or above V_{DD} (for standard, 3 V-capable I/O pins) should be avoided during normal product operation. However, in order to give an indication of the robustness of the microcontroller in cases when abnormal injection accidentally happens, susceptibility tests are performed on a sample basis during device characterization.

Functional susceptibility to I/O current injection

While a simple application is executed on the device, the device is stressed by injecting current into the I/O pins programmed in floating input mode. While current is injected into the I/O pin, one at a time, the device is checked for functional failures.

The failure is indicated by an out of range parameter: ADC error above a certain limit (>5 LSB TUE), out of conventional limits of induced leakage current on adjacent pins (out of 5 μA/+0 μA range), or other functional failure (for example reset, oscillator frequency deviation).

Negative induced leakage current is caused by negative injection and positive induced leakage current by positive injection.

The test results are given in [Table 47](#).

Table 47. I/O current injection susceptibility

| Symbol | Description | Functional susceptibility | | Unit |
|---------------------------------|--|---------------------------|--------------------|------|
| | | Negative injection | Positive injection | |
| I _{INJ} ⁽¹⁾ | Injected current on BOOT0 pin | - 0 | NA | mA |
| | Injected current on NRST pin | - 0 | NA | |
| | Injected current on PE2, PE3, PE4, PE5, PE6, PI8, PC13, PC14, PC15, PI9, PI10, PI11, PF0, PF1, PF2, PF3, PF4, PF5, PF10, PH0/OSC_IN, PH1/OSC_OUT, PC0, PC1, PC2, PC3, PB6, PB7, PB8, PB9, PE0, PE1, PI4, PI5, PI6, PI7, PDR_ON, BYPASS_REG | - 0 | NA | |
| | Injected current on all FT pins | - 5 | NA | |
| | Injected current on any other pin | - 5 | +5 | |

1. It is recommended to add a Schottky diode (pin to ground) to analog pins which may potentially inject negative currents.

5.3.16 I/O port characteristics

General input/output characteristics

Unless otherwise specified, the parameters given in Table 48 are derived from tests performed under the conditions summarized in Table 14. All I/Os are CMOS and TTL compliant.

Note: For information on GPIO configuration, refer to application note AN4899 “STM32 GPIO configuration for hardware settings and low-power consumption” available from the ST website www.st.com.

Table 48. I/O static characteristics

| Symbol | Parameter | Conditions | Min | Typ | Max | Unit |
|---|--|--|---|---|---|------|
| V _{IL} | FT, TTA and NRST I/O input low level voltage | 1.7 V ≤ V _{DD} ≤ 3.6 V | - | - | 0.3V _{DD} -0.04 ⁽¹⁾ | V |
| | | | - | - | 0.3V _{DD} ⁽²⁾ | |
| | BOOT0 I/O input low level voltage | 1.75 V ≤ V _{DD} ≤ 3.6 V -40 °C ≤ T _A ≤ 105 °C | - | - | 0.1V _{DD} +0.1 ⁽¹⁾ | |
| 1.7 V ≤ V _{DD} ≤ 3.6 V 0 °C ≤ T _A ≤ 105 °C | | | - | - | | |
| V _{IH} | FT, TTA and NRST I/O input low level voltage | 1.7 V ≤ V _{DD} ≤ 3.6 V | 0.45V _{DD} +0.3 ⁽¹⁾ | - | - | |
| | | | 0.7V _{DD} ⁽²⁾ | - | - | |
| | BOOT0 I/O input low level voltage | 1.75 V ≤ V _{DD} ≤ 3.6 V -40 °C ≤ T _A ≤ 105 °C | 0.17V _{DD} +0.7 ⁽¹⁾ | - | - | |
| | | | | 1.7 V ≤ V _{DD} ≤ 3.6 V 0 °C ≤ T _A ≤ 105 °C | - | - |

Table 48. I/O static characteristics (continued)

| Symbol | Parameter | | Conditions | Min | Typ | Max | Unit |
|--------------------------------|---|--|---|-----------------------------------|-----|-----|------|
| V _{HYS} | FT, TTA and NRST I/O input hysteresis | | 1.7 V ≤ V _{DD} ≤ 3.6 V | 10%V _{DD} ⁽³⁾ | - | - | V |
| | BOOT0 I/O input hysteresis | | 1.75 V ≤ V _{DD} ≤ 3.6 V -40 °C ≤ T _A ≤ 105 °C 1.7 V ≤ V _{DD} ≤ 3.6 V 0 °C ≤ T _A ≤ 105 °C | 0.1 | - | - | |
| I _{lkg} | I/O input leakage current ⁽⁴⁾ | | V _{SS} ≤ V _{IN} ≤ V _{DD} | - | - | ±1 | μA |
| | I/O FT input leakage current ⁽⁵⁾ | | V _{IN} = 5 V | - | - | 3 | |
| R _{PU} | Weak pull-up equivalent resistor ⁽⁶⁾ | All pins except for PA10 and PB12 (OTG_FS_ID, OTG_HS_ID) | V _{IN} = V _{SS} | 30 | 40 | 50 | kΩ |
| | | PA10 and PB12 (OTG_FS_ID, OTG_HS_ID) | - | 7 | 10 | 14 | |
| R _{PD} | Weak pull-down equivalent resistor ⁽⁷⁾ | All pins except for PA10 and PB12 | V _{IN} = V _{DD} | 30 | 40 | 50 | kΩ |
| | | PA10 and PB12 | - | 7 | 10 | 14 | |
| C _{IO} ⁽⁸⁾ | I/O pin capacitance | | | - | 5 | - | pF |

1. Guaranteed by design.
2. Tested in production.
3. With a minimum of 200 mV.
4. Leakage could be higher than the maximum value, if negative current is injected on adjacent pins. Refer to [Table 47: I/O current injection susceptibility](#)
5. To sustain a voltage higher than V_{DD} + 0.3 V, the internal pull-up/pull-down resistors must be disabled. Leakage could be higher than the maximum value, if negative current is injected on adjacent pins. Refer to [Table 47: I/O current injection susceptibility](#).
6. Pull-up and pull-down resistors are designed with a true resistance in series with a switchable PMOS. This PMOS contribution to the series resistance is minimum (~10% order).
7. Pull-up and pull-down resistors are designed with a true resistance in series with a switchable NMOS. This NMOS contribution to the series resistance is minimum (~10% order).
8. Hysteresis voltage between Schmitt trigger switching levels. Guaranteed by characterization.

All I/Os are CMOS and TTL compliant (no software configuration required). Their characteristics cover more than the strict CMOS-technology or TTL parameters.

Output driving current

The GPIOs (general purpose input/outputs) can sink or source up to ± 8 mA, and sink or source up to ± 20 mA (with a relaxed V_{OL}/V_{OH}) except PC13, PC14 and PC15 which can sink or source up to ± 3 mA. When using the PC13 to PC15 GPIOs in output mode, the speed should not exceed 2 MHz with a maximum load of 30 pF.

In the user application, the number of I/O pins which can drive current must be limited to respect the absolute maximum rating specified in [Section 5.2](#). In particular:

- The sum of the currents sourced by all the I/Os on V_{DD} , plus the maximum Run consumption of the MCU sourced on V_{DD} , cannot exceed the absolute maximum rating I_{VDD} (see [Table 12](#)).
- The sum of the currents sunk by all the I/Os on V_{SS} plus the maximum Run consumption of the MCU sunk on V_{SS} cannot exceed the absolute maximum rating I_{VSS} (see [Table 12](#)).

Output voltage levels

Unless otherwise specified, the parameters given in [Table 49](#) are derived from tests performed under ambient temperature and V_{DD} supply voltage conditions summarized in [Table 14](#). All I/Os are CMOS and TTL compliant.

Table 49. Output voltage characteristics⁽¹⁾

| Symbol | Parameter | Conditions | Min | Max | Unit |
|-------------------|---------------------------|---|--------------|-----|------|
| $V_{OL}^{(2)}$ | Output low level voltage | CMOS port $I_{IO} = +8$ mA 2.7 V < V_{DD} < 3.6 V | - | 0.4 | V |
| $V_{OH}^{(3)}$ | Output high level voltage | | $V_{DD}-0.4$ | - | |
| $V_{OL}^{(2)}$ | Output low level voltage | TTL port $I_{IO} = +8$ mA 2.7 V < V_{DD} < 3.6 V | - | 0.4 | V |
| $V_{OH}^{(3)}$ | Output high level voltage | | 2.4 | - | |
| $V_{OL}^{(2)(4)}$ | Output low level voltage | $I_{IO} = +20$ mA 2.7 V < V_{DD} < 3.6 V | - | 1.3 | V |
| $V_{OH}^{(3)(4)}$ | Output high level voltage | | $V_{DD}-1.3$ | - | |
| $V_{OL}^{(2)(4)}$ | Output low level voltage | $I_{IO} = +6$ mA 2 V < V_{DD} < 2.7 V | - | 0.4 | V |
| $V_{OH}^{(3)(4)}$ | Output high level voltage | | $V_{DD}-0.4$ | - | |

1. PC13, PC14, PC15 and PI8 are supplied through the power switch. Since the switch only sinks a limited amount of current (3 mA), the use of GPIOs PC13 to PC15 and PI8 in output mode is limited: the speed should not exceed 2 MHz with a maximum load of 30 pF and these I/Os must not be used as a current source (e.g. to drive an LED).
2. The I_{IO} current sunk by the device must always respect the absolute maximum rating specified in [Table 12](#) and the sum of I_{IO} (I/O ports and control pins) must not exceed I_{VSS} .
3. The I_{IO} current sourced by the device must always respect the absolute maximum rating specified in [Table 12](#) and the sum of I_{IO} (I/O ports and control pins) must not exceed I_{VDD} .
4. Guaranteed by characterization.

Input/output AC characteristics

The definition and values of input/output AC characteristics are given in [Figure 37](#) and [Table 50](#), respectively.

Unless otherwise specified, the parameters given in [Table 50](#) are derived from tests performed under the ambient temperature and V_{DD} supply voltage conditions summarized in [Table 14](#).

Table 50. I/O AC characteristics⁽¹⁾⁽²⁾

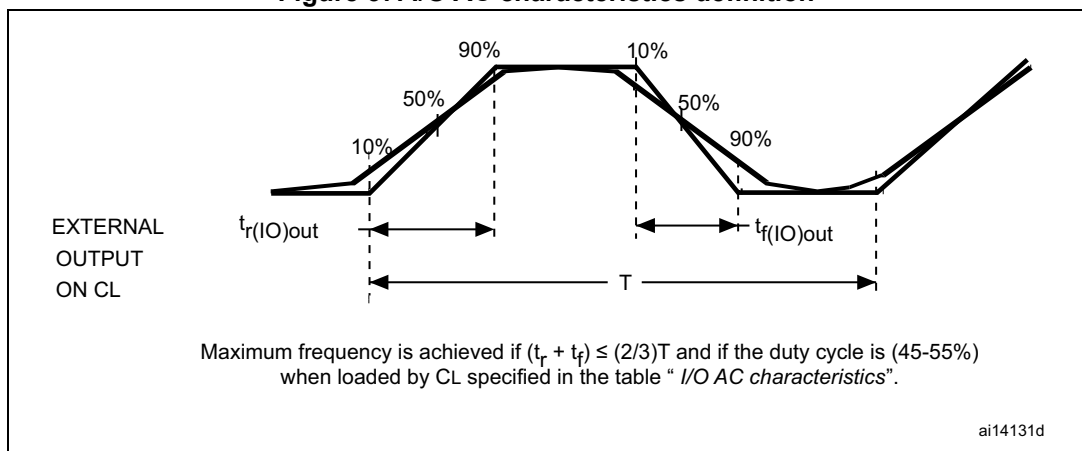
| OSPEEDRy [1:0] bit value ⁽¹⁾ | Symbol | Parameter | Conditions | Min | Typ | Max | Unit |
|---|---|---|---|-----|-----|--------------------|------|
| 00 | $f_{\max(\text{IO})\text{out}}$ | Maximum frequency ⁽³⁾ | $C_L = 50 \text{ pF}, V_{DD} > 2.70 \text{ V}$ | - | - | 4 | MHz |
| | | | $C_L = 50 \text{ pF}, V_{DD} > 1.8 \text{ V}$ | - | - | 2 | |
| | | | $C_L = 10 \text{ pF}, V_{DD} > 2.70 \text{ V}$ | - | - | 8 | |
| | | | $C_L = 10 \text{ pF}, V_{DD} > 1.8 \text{ V}$ | - | - | 4 | |
| | $t_{f(\text{IO})\text{out}}/$ $t_{r(\text{IO})\text{out}}$ | Output high to low level fall time and output low to high level rise time | $C_L = 50 \text{ pF}, V_{DD} = 1.8 \text{ V to } 3.6 \text{ V}$ | - | - | 100 | ns |
| 01 | $f_{\max(\text{IO})\text{out}}$ | Maximum frequency ⁽³⁾ | $C_L = 50 \text{ pF}, V_{DD} > 2.70 \text{ V}$ | - | - | 25 | MHz |
| | | | $C_L = 50 \text{ pF}, V_{DD} > 1.8 \text{ V}$ | - | - | 12.5 | |
| | | | $C_L = 10 \text{ pF}, V_{DD} > 2.70 \text{ V}$ | - | - | 50 ⁽⁴⁾ | |
| | | | $C_L = 10 \text{ pF}, V_{DD} > 1.8 \text{ V}$ | - | - | 20 | |
| | $t_{f(\text{IO})\text{out}}/$ $t_{r(\text{IO})\text{out}}$ | Output high to low level fall time and output low to high level rise time | $C_L = 50 \text{ pF}, V_{DD} > 2.7 \text{ V}$ | - | - | 10 | ns |
| | | | $C_L = 50 \text{ pF}, V_{DD} > 1.8 \text{ V}$ | - | - | 20 | |
| | | | $C_L = 10 \text{ pF}, V_{DD} > 2.70 \text{ V}$ | - | - | 6 | |
| | | | $C_L = 10 \text{ pF}, V_{DD} > 1.8 \text{ V}$ | - | - | 10 | |
| 10 | $f_{\max(\text{IO})\text{out}}$ | Maximum frequency ⁽³⁾ | $C_L = 40 \text{ pF}, V_{DD} > 2.70 \text{ V}$ | - | - | 50 ⁽⁴⁾ | MHz |
| | | | $C_L = 40 \text{ pF}, V_{DD} > 1.8 \text{ V}$ | - | - | 25 | |
| | | | $C_L = 10 \text{ pF}, V_{DD} > 2.70 \text{ V}$ | - | - | 100 ⁽⁴⁾ | |
| | | | $C_L = 10 \text{ pF}, V_{DD} > 1.8 \text{ V}$ | - | - | 50 ⁽⁴⁾ | |
| | $t_{f(\text{IO})\text{out}}/$ $t_{r(\text{IO})\text{out}}$ | Output high to low level fall time and output low to high level rise time | $C_L = 40 \text{ pF}, V_{DD} > 2.70 \text{ V}$ | - | - | 6 | ns |
| | | | $C_L = 40 \text{ pF}, V_{DD} > 1.8 \text{ V}$ | - | - | 10 | |
| | | | $C_L = 10 \text{ pF}, V_{DD} > 2.70 \text{ V}$ | - | - | 4 | |
| | | | $C_L = 10 \text{ pF}, V_{DD} > 1.8 \text{ V}$ | - | - | 6 | |

Table 50. I/O AC characteristics⁽¹⁾⁽²⁾ (continued)

| OSPEEDRy [1:0] bit value ⁽¹⁾ | Symbol | Parameter | Conditions | Min | Typ | Max | Unit |
|---|--|---|--|-----|-----|--------------------|------|
| 11 | F _{max(IO)out} | Maximum frequency ⁽³⁾ | C _L = 30 pF, V _{DD} > 2.70 V | - | - | 100 ⁽⁴⁾ | MHz |
| | | | C _L = 30 pF, V _{DD} > 1.8 V | - | - | 50 ⁽⁴⁾ | |
| | | | C _L = 10 pF, V _{DD} > 2.70 V | - | - | 180 ⁽⁴⁾ | |
| | | | C _L = 10 pF, V _{DD} > 1.8 V | - | - | 100 ⁽⁴⁾ | |
| | t _{f(IO)out} / t _{r(IO)out} | Output high to low level fall time and output low to high level rise time | C _L = 30 pF, V _{DD} > 2.70 V | - | - | 4 | ns |
| | | | C _L = 30 pF, V _{DD} > 1.8 V | - | - | 6 | |
| | | | C _L = 10 pF, V _{DD} > 2.70 V | - | - | 2.5 | |
| | | | C _L = 10 pF, V _{DD} > 1.8 V | - | - | 4 | |
| - | t _{EXTIpw} | Pulse width of external signals detected by the EXTI controller | | 10 | - | - | ns |

1. Guaranteed by characterization.
2. The I/O speed is configured using the OSPEEDRy[1:0] bits. Refer to the STM32F4xx reference manual for a description of the GPIOx_SPEEDR GPIO port output speed register.
3. The maximum frequency is defined in [Figure 37](#).
4. For maximum frequencies above 50 MHz, the compensation cell should be used.

Figure 37. I/O AC characteristics definition



5.3.17 NRST pin characteristics

The NRST pin input driver uses CMOS technology. It is connected to a permanent pull-up resistor, R_{PU} (see [Table 48](#)).

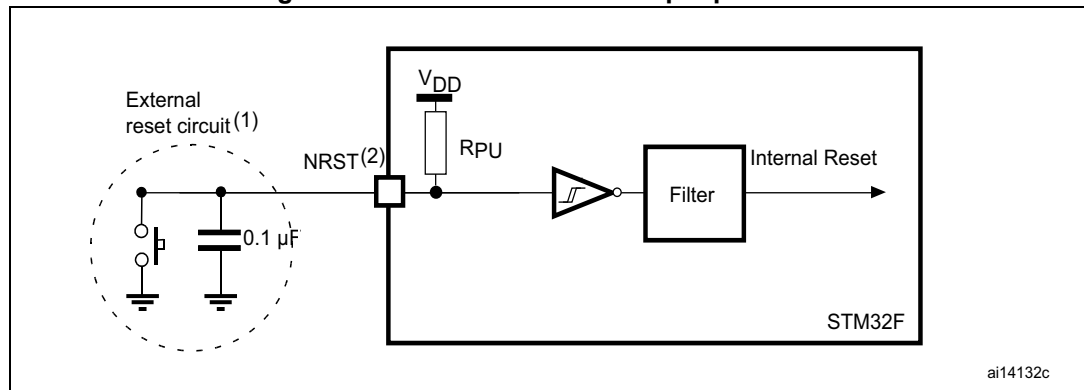
Unless otherwise specified, the parameters given in [Table 51](#) are derived from tests performed under the ambient temperature and V_{DD} supply voltage conditions summarized in [Table 14](#).

Table 51. NRST pin characteristics

| Symbol | Parameter | Conditions | Min | Typ | Max | Unit |
|----------------------|---|--|-------------|-----|-------------|---------------|
| $V_{IL(NRST)}^{(1)}$ | NRST Input low level voltage | TTL ports $2.7\text{ V} \leq V_{DD} \leq 3.6\text{ V}$ | - | - | 0.8 | V |
| $V_{IH(NRST)}^{(1)}$ | NRST Input high level voltage | | 2 | - | - | |
| $V_{IL(NRST)}^{(1)}$ | NRST Input low level voltage | CMOS ports $1.8\text{ V} \leq V_{DD} \leq 3.6\text{ V}$ | - | - | $0.3V_{DD}$ | |
| $V_{IH(NRST)}^{(1)}$ | NRST Input high level voltage | | $0.7V_{DD}$ | - | - | |
| $V_{hys(NRST)}$ | NRST Schmitt trigger voltage hysteresis | - | - | 200 | - | mV |
| R_{PU} | Weak pull-up equivalent resistor ⁽²⁾ | $V_{IN} = V_{SS}$ | 30 | 40 | 50 | $k\Omega$ |
| $V_{F(NRST)}^{(1)}$ | NRST Input filtered pulse | | - | - | 100 | ns |
| $V_{NF(NRST)}^{(1)}$ | NRST Input not filtered pulse | $V_{DD} > 2.7\text{ V}$ | 300 | - | - | ns |
| T_{NRST_OUT} | Generated reset pulse duration | Internal Reset source | 20 | - | - | μs |

1. Guaranteed by design.
2. The pull-up is designed with a true resistance in series with a switchable PMOS. This PMOS contribution to the series resistance must be minimum (~10% order).

Figure 38. Recommended NRST pin protection



1. The reset network protects the device against parasitic resets.
2. The user must ensure that the level on the NRST pin can go below the $V_{IL(NRST)}$ max level specified in [Table 51](#). Otherwise the reset is not taken into account by the device.

5.3.18 TIM timer characteristics

The parameters given in [Table 52](#) and [Table 53](#) are guaranteed by design.

Refer to [Section 5.3.16: I/O port characteristics](#) for details on the input/output alternate function characteristics (output compare, input capture, external clock, PWM output).

Table 52. Characteristics of TIMx connected to the APB1 domain⁽¹⁾

| Symbol | Parameter | Conditions | Min | Max | Unit |
|------------------|---|--|--------|----------------------|---------------|
| $t_{res(TIM)}$ | Timer resolution time | AHB/APB1 prescaler distinct from 1, $f_{TIMxCLK} = 84$ MHz | 1 | - | $t_{TIMxCLK}$ |
| | | | 11.9 | - | ns |
| | | AHB/APB1 prescaler = 1, $f_{TIMxCLK} = 42$ MHz | 1 | - | $t_{TIMxCLK}$ |
| | | | 23.8 | - | ns |
| f_{EXT} | Timer external clock frequency on CH1 to CH4 | $f_{TIMxCLK} = 84$ MHz APB1 = 42 MHz | 0 | $f_{TIMxCLK}/2$ | MHz |
| | | | 0 | 42 | MHz |
| Res_{TIM} | Timer resolution | | - | 16/32 | bit |
| $t_{COUNTER}$ | 16-bit counter clock period when internal clock is selected | | 1 | 65536 | $t_{TIMxCLK}$ |
| | | | 0.0119 | 780 | μs |
| | 32-bit counter clock period when internal clock is selected | | 1 | - | $t_{TIMxCLK}$ |
| t_{MAX_COUNT} | Maximum possible count | | 0.0119 | 51130563 | μs |
| | | | - | 65536×65536 | $t_{TIMxCLK}$ |
| | | | - | 51.1 | s |

1. TIMx is used as a general term to refer to the TIM2, TIM3, TIM4, TIM5, TIM6, TIM7, and TIM12 timers.

Table 53. Characteristics of TIMx connected to the APB2 domain⁽¹⁾

| Symbol | Parameter | Conditions | Min | Max | Unit |
|------------------------|---|--|------|-------------------------|----------------------|
| t _{res(TIM)} | Timer resolution time | AHB/APB2 prescaler distinct from 1, f _{TIMxCLK} = 168 MHz | 1 | - | t _{TIMxCLK} |
| | | | 5.95 | - | ns |
| | | AHB/APB2 prescaler = 1, f _{TIMxCLK} = 84 MHz | 1 | - | t _{TIMxCLK} |
| | | | 11.9 | - | ns |
| f _{EXT} | Timer external clock frequency on CH1 to CH4 | f _{TIMxCLK} = 168 MHz APB2 = 84 MHz | 0 | f _{TIMxCLK} /2 | MHz |
| | | | 0 | 84 | MHz |
| Res _{TIM} | Timer resolution | | - | 16 | bit |
| t _{COUNTER} | 16-bit counter clock period when internal clock is selected | | 1 | 65536 | t _{TIMxCLK} |
| t _{MAX_COUNT} | Maximum possible count | | - | 32768 | t _{TIMxCLK} |

1. TIMx is used as a general term to refer to the TIM1, TIM8, TIM9, TIM10, and TIM11 timers.

5.3.19 Communications interfaces

I²C interface characteristics

The I²C interface meets the timings requirements of the I²C-bus specification and user manual rev. 03 for:

- Standard-mode (Sm): with a bit rate up to 100 kbit/s
- Fast-mode (Fm): with a bit rate up to 400 kbit/s.

The I²C timings requirements are guaranteed by design when the I2C peripheral is properly configured (refer to RM0090 reference manual).

The SDA and SCL I/O requirements are met with the following restrictions: the SDA and SCL I/O pins are not “true” open-drain. When configured as open-drain, the PMOS connected between the I/O pin and V_{DD} is disabled, but is still present. Refer to [Section 5.3.16: I/O port characteristics](#) for more details on the I²C I/O characteristics.

All I²C SDA and SCL I/Os embed an analog filter. Refer to the table below for the analog filter characteristics:

Table 54. I2C analog filter characteristics⁽¹⁾

| Symbol | Parameter | Min | Max | Unit |
|-----------------|--|-------------------|--------------------|------|
| t _{AF} | Maximum pulse width of spikes that are suppressed by the analog filter | 50 ⁽²⁾ | 260 ⁽³⁾ | ns |

1. Guaranteed by design.
2. Spikes with widths below t_{AF(min)} are filtered.
3. Spikes with widths above t_{AF(max)} are not filtered

SPI interface characteristics

Unless otherwise specified, the parameters given in [Table 55](#) for SPI are derived from tests performed under the ambient temperature, f_{PCLKx} frequency and V_{DD} supply voltage conditions summarized in [Table 14](#) with the following configuration:

- Output speed is set to $OSPEEDRy[1:0] = 10$
- Capacitive load $C = 30$ pF
- Measurement points are done at CMOS levels: $0.5 V_{DD}$

Refer to [Section 5.3.16: I/O port characteristics](#) for more details on the input/output alternate function characteristics (NSS, SCK, MOSI, MISO).

Table 55. SPI dynamic characteristics⁽¹⁾

| Symbol | Parameter | Conditions | Min | Typ | Max | Unit |
|----------------|-----------------------------------|--|-----|-----|-----|------|
| f_{SCK} | SPI clock frequency | Master mode, SPI1, $2.7V < V_{DD} < 3.6V$ | - | - | 42 | MHz |
| | | Slave mode, SPI1, $2.7V < V_{DD} < 3.6V$ | | | 42 | |
| $1/t_{c(SCK)}$ | | Master mode, SPI1/2/3, $1.7V < V_{DD} < 3.6V$ | - | - | 21 | |
| | | Slave mode, SPI1/2/3, $1.7V < V_{DD} < 3.6V$ | | | 21 | |
| Duty(SCK) | Duty cycle of SPI clock frequency | Slave mode | 30 | 50 | 70 | % |

Table 55. SPI dynamic characteristics⁽¹⁾ (continued)

| Symbol | Parameter | Conditions | Min | Typ | Max | Unit |
|---|-----------------------------|--|------------------------|-------------------|------------------------|------|
| $t_{w(SCKH)}$ | SCK high and low time | Master mode, SPI presc = 2, 2.7V < V _{DD} < 3.6V | T _{PCLK} -0.5 | T _{PCLK} | T _{PCLK} +0.5 | ns |
| $t_{w(SCKL)}$ | | Master mode, SPI presc = 2, 1.7V < V _{DD} < 3.6V | T _{PCLK} -2 | T _{PCLK} | T _{PCLK} +2 | |
| $t_{su(NSS)}$ | NSS setup time | Slave mode, SPI presc = 2 | 4 x T _{PCLK} | - | - | |
| $t_{h(NSS)}$ | NSS hold time | Slave mode, SPI presc = 2 | 2 x T _{PCLK} | - | - | |
| $t_{su(MI)}$ | Data input setup time | Master mode | 6.5 | - | - | |
| $t_{su(SI)}$ | | Slave mode | 2.5 | - | - | |
| $t_{h(MI)}$ | Data input hold time | Master mode | 2.5 | - | - | |
| $t_{h(SI)}$ | | Slave mode | 4 | - | - | |
| $t_{a(SO)}^{(2)}$ | Data output access time | Slave mode, SPI presc = 2 | 0 | - | 4 x T _{PCLK} | |
| $t_{dis(SO)}^{(3)}$ | Data output disable time | Slave mode, SPI1, 2.7V < V _{DD} < 3.6V | 0 | - | 7.5 | |
| | | Slave mode, SPI1/2/3, 1.7V < V _{DD} < 3.6V | 0 | - | 16.5 | |
| $t_{v(SO)}$ | Data output valid/hold time | Slave mode (after enable edge), SPI1, 2.7V < V _{DD} < 3.6V | - | 11 | 13 | |
| | | Slave mode (after enable edge), SPI2/3, 2.7V < V _{DD} < 3.6V | - | 12 | 16.5 | |
| Slave mode (after enable edge), SPI1, 1.7V < V _{DD} < 3.6V | | - | 15.5 | 19 | | |
| Slave mode (after enable edge), SPI2/3, 1.7V < V _{DD} < 3.6V | | - | 18 | 20.5 | | |
| $t_{h(SO)}$ | Data output hold time | Slave mode (after enable edge), SPI1, 1.7V < V _{DD} < 3.6V | - | 15.5 | 19 | |
| | | Slave mode (after enable edge), SPI2/3, 1.7V < V _{DD} < 3.6V | - | 18 | 20.5 | |
| $t_{v(MO)}$ | Data output valid time | Master mode (after enable edge), SPI1, 2.7V < V _{DD} < 3.6V | - | - | 2.5 | |
| | | Master mode (after enable edge), SPI1/2/3, 1.7V < V _{DD} < 3.6V | - | - | 4.5 | |
| $t_{h(MO)}$ | Data output hold time | Master mode (after enable edge) | 0 | - | - | |

1. Guaranteed by characterization.
2. Min time is for the minimum time to drive the output and the max time is for the maximum time to validate the data.
3. Min time is for the minimum time to invalidate the output and the max time is for the maximum time to put the data in Hi-Z.

Figure 39. SPI timing diagram - slave mode and CPHA = 0

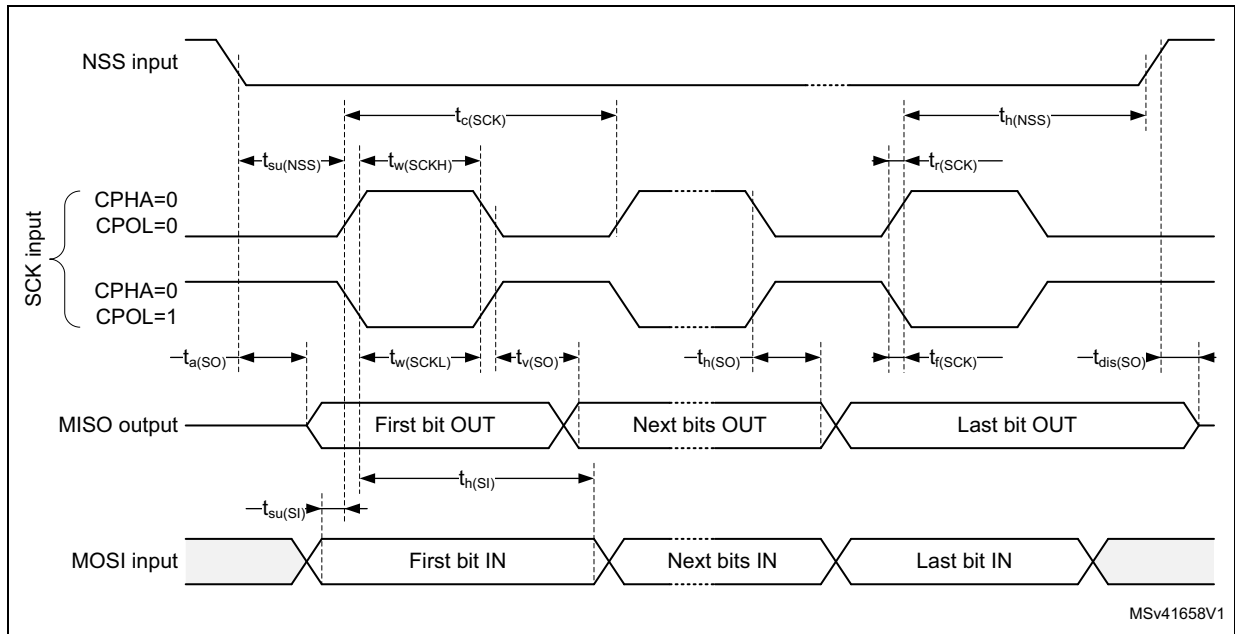


Figure 40. SPI timing diagram - slave mode and CPHA = 1

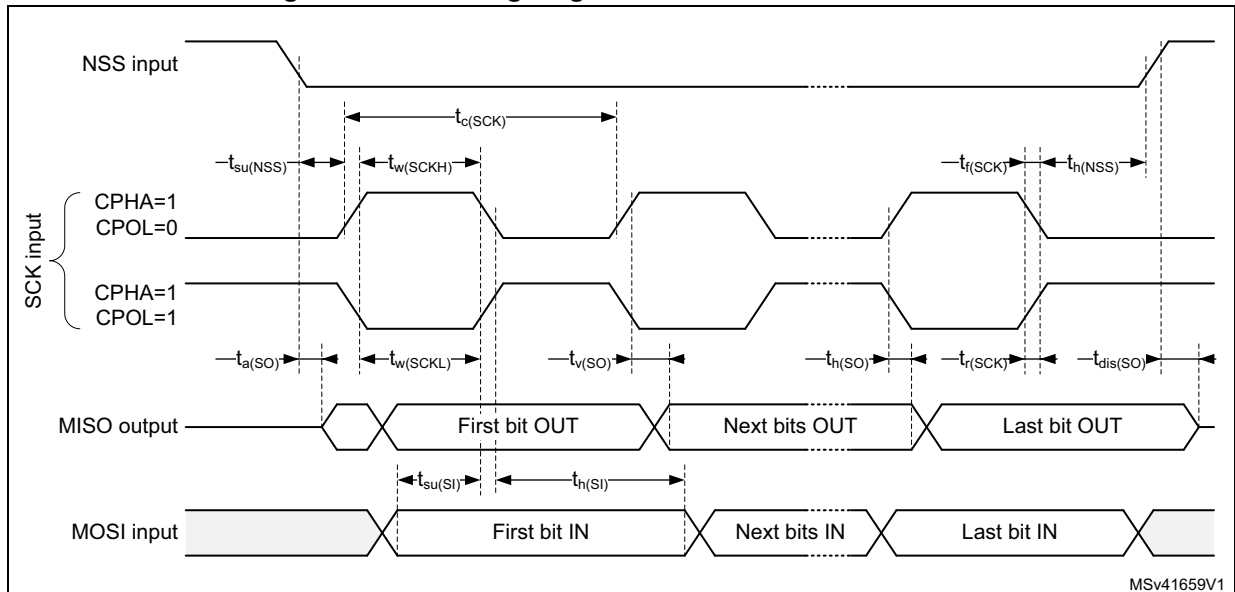
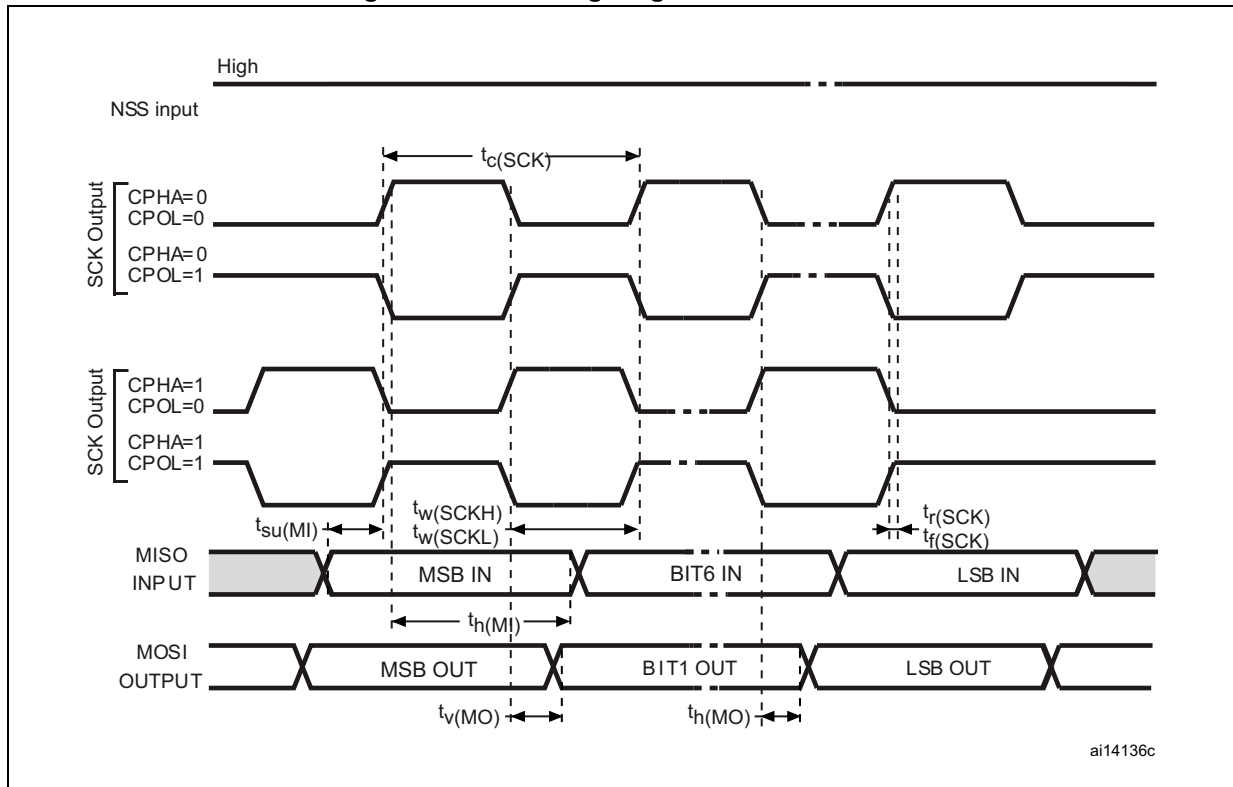


Figure 41. SPI timing diagram - master mode



I²S interface characteristics

Unless otherwise specified, the parameters given in [Table 56](#) for the I²S interface are derived from tests performed under the ambient temperature, f_{PCLKx} frequency and V_{DD} supply voltage conditions summarized in [Table 14](#), with the following configuration:

- Output speed is set to OSPEEDRy[1:0] = 10
- Capacitive load C = 30 pF
- Measurement points are done at CMOS levels: 0.5 V_{DD}

Refer to [Section 5.3.16: I/O port characteristics](#) for more details on the input/output alternate function characteristics (CK, SD, WS).

Table 56. I²S dynamic characteristics⁽¹⁾

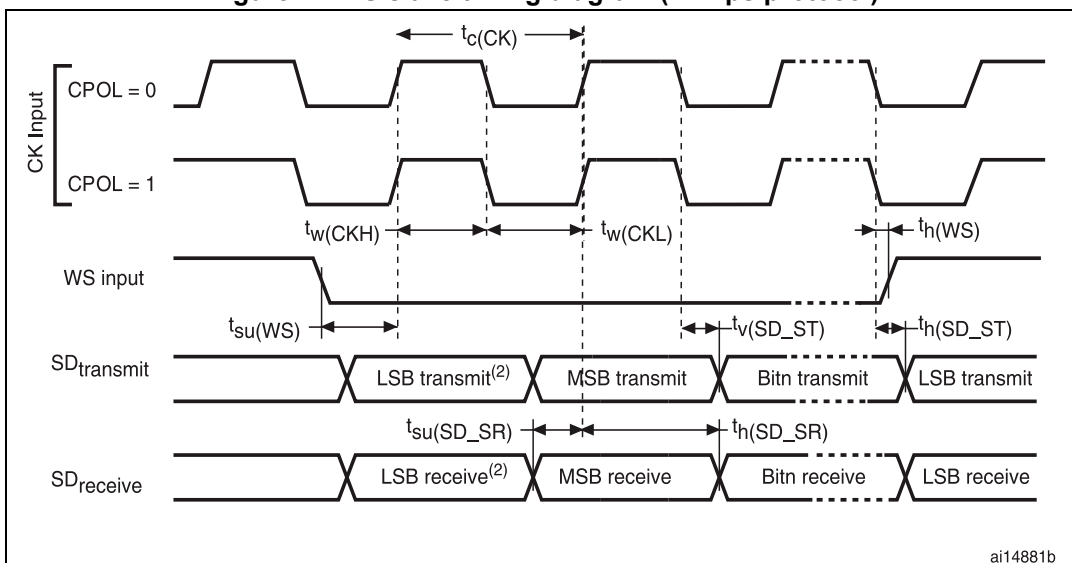
| Symbol | Parameter | Conditions | Min | Max | Unit |
|------------------|---|--|----------|----------------------------|------|
| f_{MCK} | I ² S main clock output | - | 256 x 8K | 256 x F_S ⁽²⁾ | MHz |
| f_{CK} | I ² S clock frequency | Master data: 32 bits | - | 64 x F_S | MHz |
| | | Slave data: 32 bits | - | 64 x F_S | |
| D_{CK} | I ² S clock frequency duty cycle | Slave receiver | 30 | 70 | % |
| $t_{v(WS)}$ | WS valid time | Master mode | 0 | 6 | ns |
| $t_{h(WS)}$ | WS hold time | Master mode | 0 | - | |
| $t_{su(WS)}$ | WS setup time | Slave mode | 1 | - | |
| $t_{h(WS)}$ | WS hold time | Slave mode | 0 | - | |
| $t_{su(SD_MR)}$ | Data input setup time | Master receiver | 7.5 | - | |
| $t_{su(SD_SR)}$ | | Slave receiver | 2 | - | |
| $t_{h(SD_MR)}$ | Data input hold time | Master receiver | 0 | - | |
| $t_{h(SD_SR)}$ | | Slave receiver | 0 | - | |
| $t_{v(SD_ST)}$ | Data output valid time | Slave transmitter (after enable edge) | - | 27 | |
| $t_{h(SD_ST)}$ | | Master transmitter (after enable edge) | - | 20 | |
| $t_{v(SD_MT)}$ | | Master transmitter (after enable edge) | - | 20 | |
| $t_{h(SD_MT)}$ | Data output hold time | Master transmitter (after enable edge) | 2.5 | - | |

1. Guaranteed by characterization.
2. The maximum value of 256 x F_S is 42 MHz (APB1 maximum frequency).

Note: Refer to the I²S section of RM0090 reference manual for more details on the sampling frequency (F_S). f_{MCK} , f_{CK} , and D_{CK} values reflect only the digital peripheral behavior. The value of these parameters might be slightly impacted by the source clock accuracy. D_{CK} depends mainly on the value of ODD bit. The digital contribution leads to a minimum value of $I2SDIV / (2 \times I2SDIV + ODD)$ and a maximum value of $(I2SDIV + ODD) / (2 \times I2SDIV + ODD)$. F_S maximum value is supported for each mode/condition.

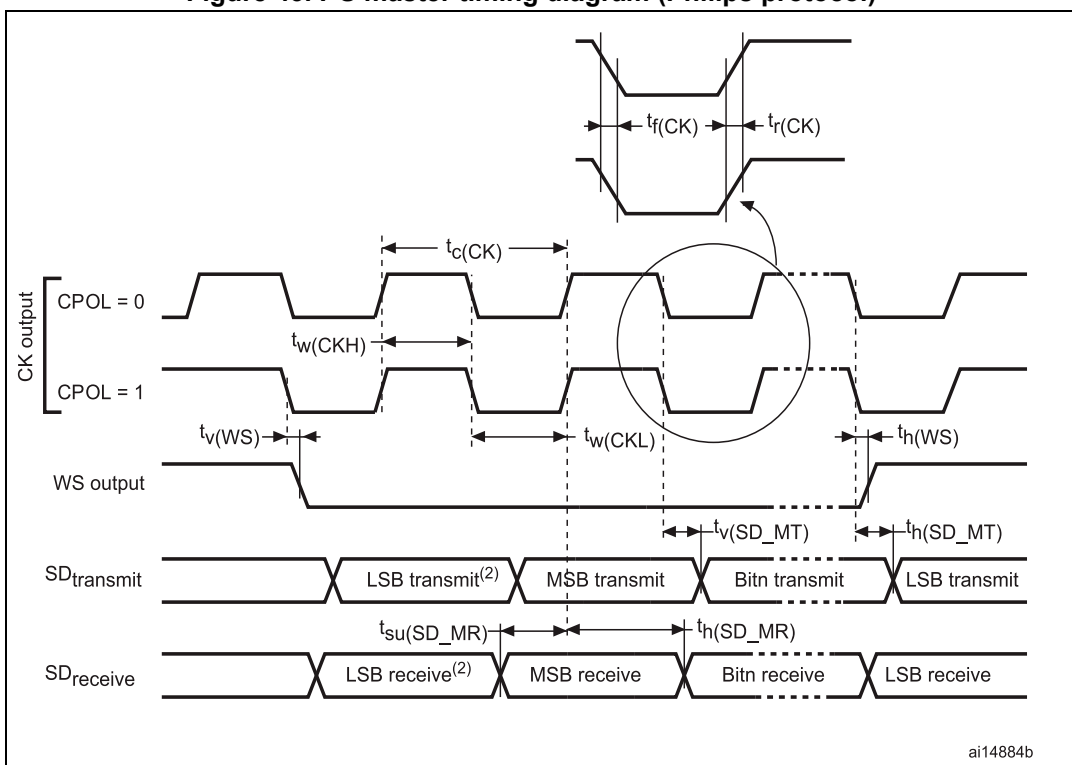


Figure 42. I²S slave timing diagram (Philips protocol)



1. LSB transmit/receive of the previously transmitted byte. No LSB transmit/receive is sent before the first byte.

Figure 43. I²S master timing diagram (Philips protocol)⁽¹⁾



1. Guaranteed by characterization.
2. LSB transmit/receive of the previously transmitted byte. No LSB transmit/receive is sent before the first byte.

USB OTG FS characteristics

This interface is present in both the USB OTG HS and USB OTG FS controllers.

Table 57. USB OTG FS startup time

| Symbol | Parameter | Max | Unit |
|---------------------|-------------------------------------|-----|---------|
| $t_{STARTUP}^{(1)}$ | USB OTG FS transceiver startup time | 1 | μs |

1. Guaranteed by design.

Table 58. USB OTG FS DC electrical characteristics

| Symbol | Parameter | Conditions | Min. ⁽¹⁾ | Typ. | Max. ⁽¹⁾ | Unit | |
|---------------|---|---------------------------------|---|--------------------|---------------------|------------|---|
| Input levels | V_{DD} | USB OTG FS operating voltage | - | 3.0 ⁽²⁾ | - | 3.6 | V |
| | $V_{DI}^{(3)}$ | Differential input sensitivity | I(USB_FS_DP/DM, USB_HS_DP/DM) | 0.2 | - | - | V |
| | $V_{CM}^{(3)}$ | Differential common mode range | Includes V_{DI} range | 0.8 | - | 2.5 | |
| | $V_{SE}^{(3)}$ | Single ended receiver threshold | - | 1.3 | - | 2.0 | |
| Output levels | V_{OL} | Static output level low | R_L of 1.5 k Ω to 3.6 V ⁽⁴⁾ | - | - | 0.3 | V |
| | V_{OH} | Static output level high | R_L of 15 k Ω to $V_{SS}^{(4)}$ | 2.8 | - | 3.6 | |
| R_{PD} | PA11, PA12, PB14, PB15 (USB_FS_DP/DM, USB_HS_DP/DM) | $V_{IN} = V_{DD}$ | 17 | 21 | 24 | k Ω | |
| | PA9, PB13 (OTG_FS_VBUS, OTG_HS_VBUS) | | 0.65 | 1.1 | 2.0 | | |
| R_{PU} | PA12, PB15 (USB_FS_DP, USB_HS_DP) | $V_{IN} = V_{SS}$ | 1.5 | 1.8 | 2.1 | | |
| | PA9, PB13 (OTG_FS_VBUS, OTG_HS_VBUS) | $V_{IN} = V_{SS}$ | 0.25 | 0.37 | 0.55 | | |

1. All the voltages are measured from the local ground potential.
2. The STM32F415xx and STM32F417xx USB OTG FS functionality is ensured down to 2.7 V but not the full USB OTG FS electrical characteristics which are degraded in the 2.7-to-3.0 V V_{DD} voltage range.
3. Guaranteed by design.
4. R_L is the load connected on the USB OTG FS drivers

Figure 44. USB OTG FS timings: definition of data signal rise and fall time

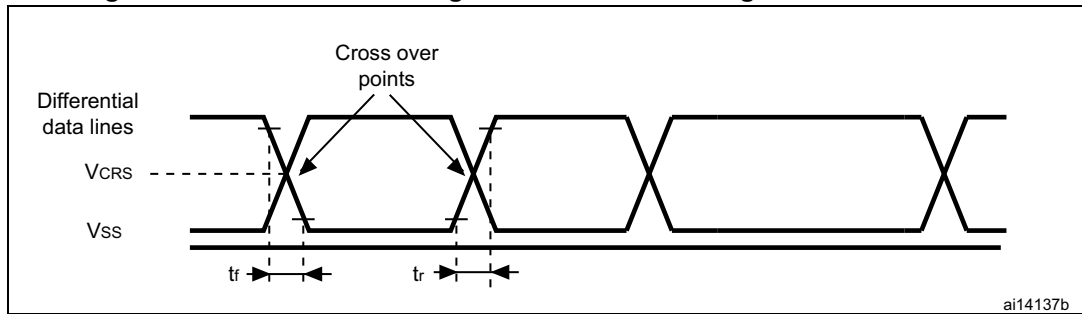


Table 59. USB OTG FS electrical characteristics⁽¹⁾

| Driver characteristics | | | | | |
|------------------------|---------------------------------|-----------------------|-----|-----|------|
| Symbol | Parameter | Conditions | Min | Max | Unit |
| t_r | Rise time ⁽²⁾ | $C_L = 50 \text{ pF}$ | 4 | 20 | ns |
| t_f | Fall time ⁽²⁾ | $C_L = 50 \text{ pF}$ | 4 | 20 | ns |
| t_{rfm} | Rise/ fall time matching | t_r/t_f | 90 | 110 | % |
| V_{CRS} | Output signal crossover voltage | - | 1.3 | 2.0 | V |

1. Guaranteed by design.
2. Measured from 10% to 90% of the data signal. For more detailed informations, please refer to USB Specification - Chapter 7 (version 2.0).

USB HS characteristics

Unless otherwise specified, the parameters given in [Table 62](#) for ULPI are derived from tests performed under the ambient temperature, f_{HCLK} frequency summarized in [Table 61](#) and V_{DD} supply voltage conditions summarized in [Table 60](#), with the following configuration:

- Output speed is set to OSPEEDRy[1:0] = 10
- Capacitive load C = 30 pF
- Measurement points are done at CMOS levels: $0.5V_{DD}$.

Refer to Section [Section 5.3.16: I/O port characteristics](#) for more details on the input/output characteristics.

Table 60. USB HS DC electrical characteristics

| Symbol | Parameter | Min. ⁽¹⁾ | Max. ⁽¹⁾ | Unit |
|----------------------|------------------------------|---------------------|---------------------|------|
| Input level V_{DD} | USB OTG HS operating voltage | 2.7 | 3.6 | V |

1. All the voltages are measured from the local ground potential.

Table 61. USB HS clock timing parameters⁽¹⁾

| Parameter | Symbol | Min | Nominal | Max | Unit |
|--|------------------------------------|-----|---------|-----|------|
| f_{HCLK} value to guarantee proper operation of USB HS interface | - | 30 | - | - | MHz |
| Frequency (first transition) | 8-bit $\pm 10\%$ F_{START_8BIT} | 54 | 60 | 66 | MHz |

Table 61. USB HS clock timing parameters⁽¹⁾

| Parameter | | Symbol | Min | Nominal | Max | Unit |
|--|------------|-------------------------|--------|---------|--------|------|
| Frequency (steady state) ±500 ppm | | F _{STEADY} | 59.97 | 60 | 60.03 | MHz |
| Duty cycle (first transition) | 8-bit ±10% | D _{START_8BIT} | 40 | 50 | 60 | % |
| Duty cycle (steady state) ±500 ppm | | D _{STEADY} | 49.975 | 50 | 50.025 | % |
| Time to reach the steady state frequency and duty cycle after the first transition | | T _{STEADY} | - | - | 1.4 | ms |
| Clock startup time after the de-assertion of SuspendM | Peripheral | T _{START_DEV} | - | - | 5.6 | ms |
| | Host | T _{START_HOST} | - | - | - | |
| PHY preparation time after the first transition of the input clock | | T _{PREP} | - | - | - | µs |

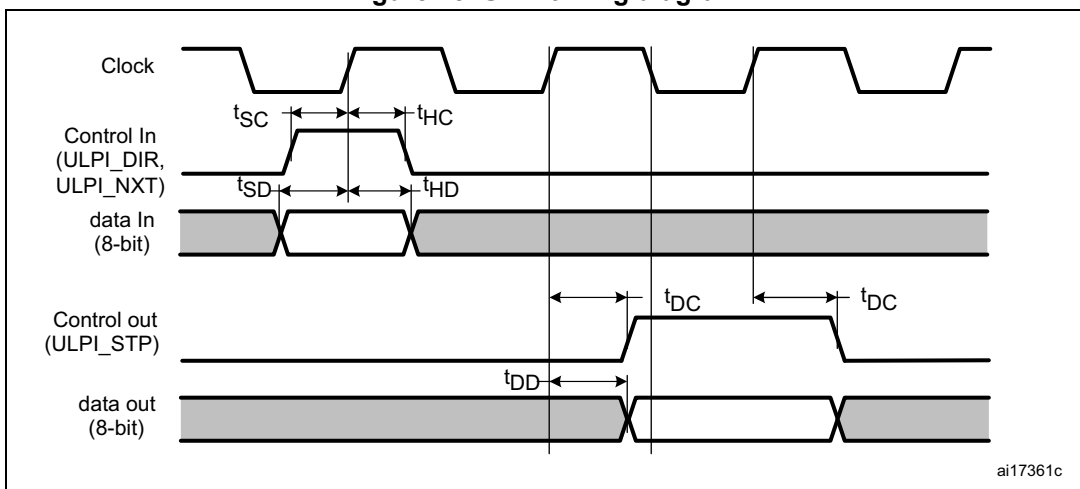
1. Guaranteed by design.

Table 62. ULPI timing

| Parameter | Symbol | Value ⁽¹⁾ | | Unit |
|---|-----------------|----------------------|------|------|
| | | Min. | Max. | |
| Control in (ULPI_DIR) setup time | t _{SC} | - | 2.0 | ns |
| Control in (ULPI_NXT) setup time | | - | 1.5 | |
| Control in (ULPI_DIR, ULPI_NXT) hold time | t _{HC} | 0 | - | |
| Data in setup time | t _{SD} | - | 2.0 | |
| Data in hold time | t _{HD} | 0 | - | |
| Control out (ULPI_STP) setup time and hold time | t _{DC} | - | 9.2 | |
| Data out available from clock rising edge | t _{DD} | - | 10.7 | |

1. V_{DD} = 2.7 V to 3.6 V and T_A = -40 to 85 °C.

Figure 45. ULPI timing diagram



Ethernet characteristics

Unless otherwise specified, the parameters given in [Table 64](#), [Table 65](#) and [Table 66](#) for SMI, RMII and MII are derived from tests performed under the ambient temperature, f_{HCLK} frequency summarized in [Table 14](#) and VDD supply voltage conditions summarized in [Table 63](#), with the following configuration:

- Output speed is set to OSPEEDRy[1:0] = 10
- Capacitive load C = 30 pF
- Measurement points are done at CMOS levels: $0.5V_{DD}$.

Refer to [Section 5.3.16: I/O port characteristics](#) for more details on the input/output characteristics.

Table 63. Ethernet DC electrical characteristics

| Symbol | | Parameter | Min. ⁽¹⁾ | Max. ⁽¹⁾ | Unit |
|-------------|-----------------|----------------------------|---------------------|---------------------|------|
| Input level | V _{DD} | Ethernet operating voltage | 2.7 | 3.6 | V |

1. All the voltages are measured from the local ground potential.

[Table 64](#) gives the list of Ethernet MAC signals for the SMI (station management interface) and [Figure 46](#) shows the corresponding timing diagram.

Figure 46. Ethernet SMI timing diagram

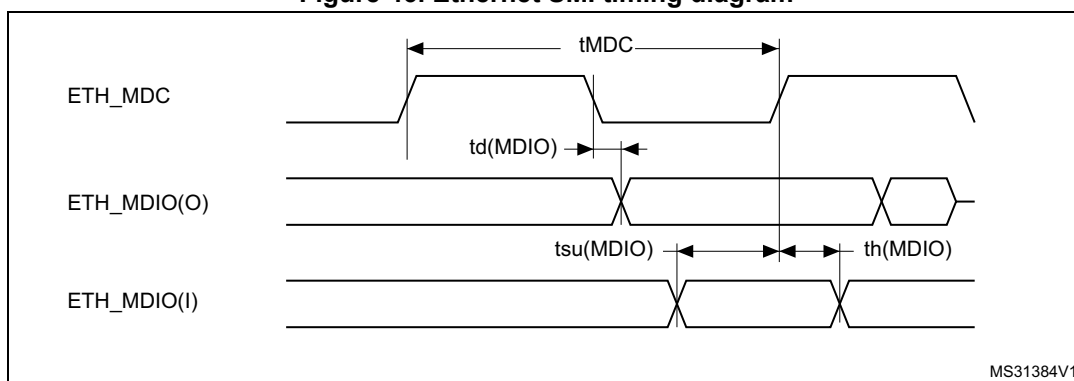


Table 64. Dynamic characteristics: Ethernet MAC signals for SMI⁽¹⁾

| Symbol | Parameter | Min | Typ | Max | Unit |
|-----------------------|--------------------------|-----|-----|-----|------|
| t _{MDC} | MDC cycle time(2.38 MHz) | 411 | 420 | 425 | ns |
| T _{d(MDIO)} | Write data valid time | 6 | 10 | 13 | |
| t _{su(MDIO)} | Read data setup time | 12 | - | - | |
| t _{h(MDIO)} | Read data hold time | 0 | - | - | |

1. Guaranteed by characterization.

[Table 65](#) gives the list of Ethernet MAC signals for the RMII and [Figure 47](#) shows the corresponding timing diagram.

Figure 47. Ethernet RMII timing diagram

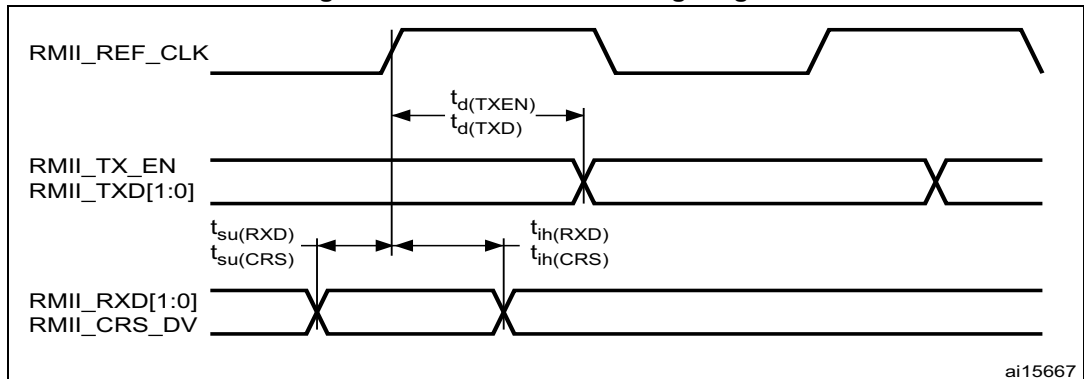


Table 65. Dynamic characteristics: Ethernet MAC signals for RMII

| Symbol | Rating | Min | Typ | Max | Unit |
|---------------|----------------------------------|-----|-----|------|------|
| $t_{su(RXD)}$ | Receive data setup time | 2 | - | - | ns |
| $t_{ih(RXD)}$ | Receive data hold time | 1 | - | - | ns |
| $t_{su(CRS)}$ | Carrier sense set-up time | 0.5 | - | - | ns |
| $t_{ih(CRS)}$ | Carrier sense hold time | 2 | - | - | ns |
| $t_{d(TXEN)}$ | Transmit enable valid delay time | 8 | 9.5 | 11 | ns |
| $t_{d(TXD)}$ | Transmit data valid delay time | 8.5 | 10 | 11.5 | ns |

Table 66 gives the list of Ethernet MAC signals for MII and Figure 47 shows the corresponding timing diagram.

Figure 48. Ethernet MII timing diagram

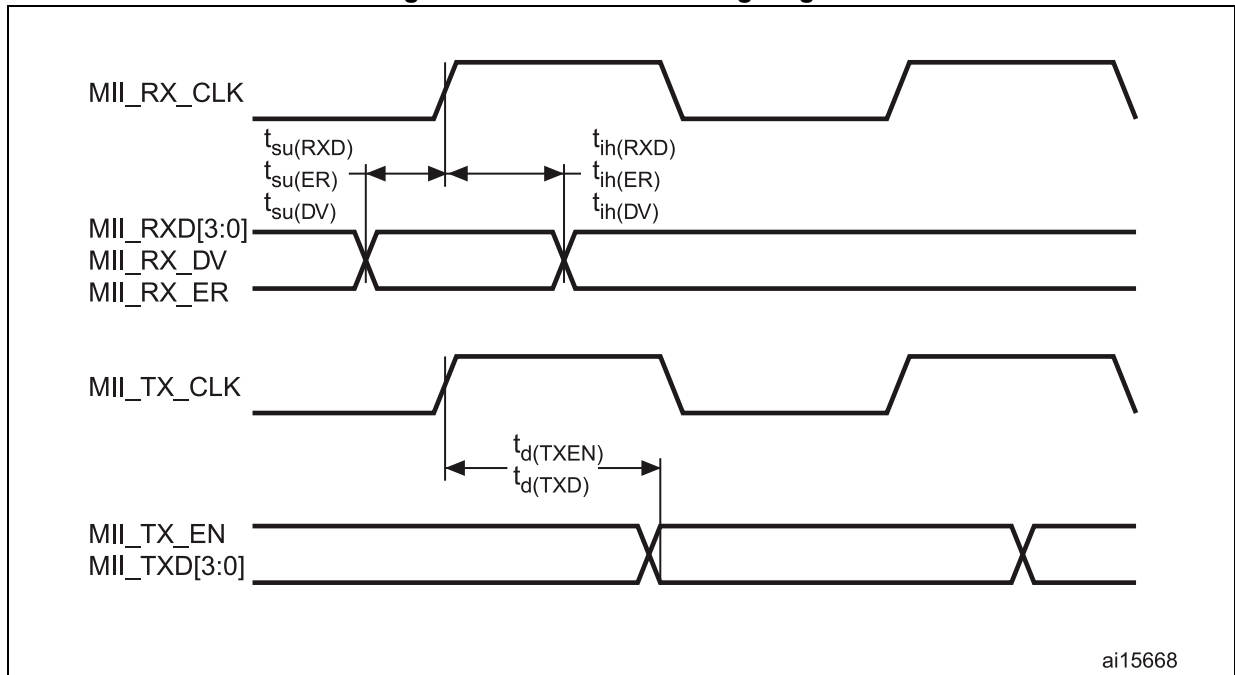


Table 66. Dynamic characteristics: Ethernet MAC signals for MII⁽¹⁾

| Symbol | Parameter | Min | Typ | Max | Unit |
|---------------|----------------------------------|-----|-----|-----|------|
| $t_{su}(RXD)$ | Receive data setup time | 9 | | - | ns |
| $t_{ih}(RXD)$ | Receive data hold time | 10 | | - | |
| $t_{su}(DV)$ | Data valid setup time | 9 | | - | |
| $t_{ih}(DV)$ | Data valid hold time | 8 | | - | |
| $t_{su}(ER)$ | Error setup time | 6 | | - | |
| $t_{ih}(ER)$ | Error hold time | 8 | | - | |
| $t_d(TXEN)$ | Transmit enable valid delay time | 0 | 10 | 14 | |
| $t_d(TXD)$ | Transmit data valid delay time | 0 | 10 | 15 | |

1. Guaranteed by characterization.

5.3.20 CAN (controller area network) interface

Refer to [Section 5.3.16: I/O port characteristics](#) for more details on the input/output alternate function characteristics (CANTX and CANRX).

5.3.21 12-bit ADC characteristics

Unless otherwise specified, the parameters given in [Table 67](#) are derived from tests performed under the ambient temperature, f_{PCLK2} frequency and V_{DDA} supply voltage conditions summarized in [Table 14](#).

Table 67. ADC characteristics

| Symbol | Parameter | Conditions | Min | Typ | Max | Unit |
|--------------------|---|--|---|-----|------------|-------------|
| V_{DDA} | Power supply | - | 1.8 ⁽¹⁾ | - | 3.6 | V |
| V_{REF+} | Positive reference voltage | - | 1.8 ⁽¹⁾⁽²⁾⁽³⁾ | - | V_{DDA} | |
| V_{REF-} | Negative reference voltage | - | - | 0 | - | |
| f_{ADC} | ADC clock frequency | $V_{DDA} = 1.8^{(1)(3)}$ to 2.4 V | 0.6 | 15 | 18 | MHz |
| | | $V_{DDA} = 2.4$ to 3.6 V ⁽³⁾ | 0.6 | 30 | 36 | MHz |
| $f_{TRIG}^{(4)}$ | External trigger frequency | $f_{ADC} = 30$ MHz, 12-bit resolution | - | - | 1764 | kHz |
| | | - | - | - | 17 | $1/f_{ADC}$ |
| V_{AIN} | Conversion voltage range ⁽⁵⁾ | - | 0 (V_{SSA} or V_{REF-} tied to ground) | - | V_{REF+} | V |
| $R_{AIN}^{(4)}$ | External input impedance | See Equation 1 for details | - | - | 50 | k Ω |
| $R_{ADC}^{(4)(6)}$ | Sampling switch resistance | - | - | - | 6 | k Ω |
| $C_{ADC}^{(4)}$ | Internal sample and hold capacitor | - | - | 4 | - | pF |

Table 67. ADC characteristics (continued)

| Symbol | Parameter | Conditions | Min | Typ | Max | Unit |
|-------------------|---|---|-------|-----|------------------|-------------|
| $t_{lat}^{(4)}$ | Injection trigger conversion latency | $f_{ADC} = 30$ MHz | - | - | 0.100 | μ s |
| | | | - | - | 3 ⁽⁷⁾ | $1/f_{ADC}$ |
| $t_{latr}^{(4)}$ | Regular trigger conversion latency | $f_{ADC} = 30$ MHz | - | - | 0.067 | μ s |
| | | | - | - | 2 ⁽⁷⁾ | $1/f_{ADC}$ |
| $t_S^{(4)}$ | Sampling time | $f_{ADC} = 30$ MHz | 0.100 | - | 16 | μ s |
| | | - | 3 | - | 480 | $1/f_{ADC}$ |
| $t_{STAB}^{(4)}$ | Power-up time | - | - | 2 | 3 | μ s |
| $t_{CONV}^{(4)}$ | Total conversion time (including sampling time) | $f_{ADC} = 30$ MHz 12-bit resolution | 0.50 | - | 16.40 | μ s |
| | | $f_{ADC} = 30$ MHz 10-bit resolution | 0.43 | - | 16.34 | μ s |
| | | $f_{ADC} = 30$ MHz 8-bit resolution | 0.37 | - | 16.27 | μ s |
| | | $f_{ADC} = 30$ MHz 6-bit resolution | 0.30 | - | 16.20 | μ s |
| | | 9 to 492 (t_S for sampling +n-bit resolution for successive approximation) | | | | |
| $f_S^{(4)}$ | Sampling rate ($f_{ADC} = 30$ MHz, and $t_S = 3$ ADC cycles) | 12-bit resolution Single ADC | - | - | 2 | MspS |
| | | 12-bit resolution Interleave Dual ADC mode | - | - | 3.75 | MspS |
| | | 12-bit resolution Interleave Triple ADC mode | - | - | 6 | MspS |
| $I_{VREF+}^{(4)}$ | ADC V_{REF+} DC current consumption in conversion mode | - | - | 300 | 500 | μ A |
| $I_{VDDA}^{(4)}$ | ADC V_{DDA} DC current consumption in conversion mode | - | - | 1.6 | 1.8 | mA |

- V_{DD}/V_{DDA} minimum value of 1.7 V is obtained when the device operates in reduced temperature range, and with the use of an external power supply supervisor (refer to [Section : Internal reset OFF](#)).
- It is recommended to maintain the voltage difference between V_{REF+} and V_{DDA} below 1.8 V.
- $V_{DDA} - V_{REF+} < 1.2$ V.
- Guaranteed by characterization.
- V_{REF+} is internally connected to V_{DDA} and V_{REF-} is internally connected to V_{SSA} .
- R_{ADC} maximum value is given for $V_{DD}=1.8$ V, and minimum value for $V_{DD}=3.3$ V.
- For external triggers, a delay of $1/f_{PCLK2}$ must be added to the latency specified in [Table 67](#).

Equation 1: R_{AIN} max formula

$$R_{AIN} = \frac{(k - 0.5)}{f_{ADC} \times C_{ADC} \times \ln(2^{N+2})} - R_{ADC}$$

The formula above (*Equation 1*) is used to determine the maximum external impedance allowed for an error below 1/4 of LSB. N = 12 (from 12-bit resolution) and k is the number of sampling periods defined in the ADC_SMPR1 register.

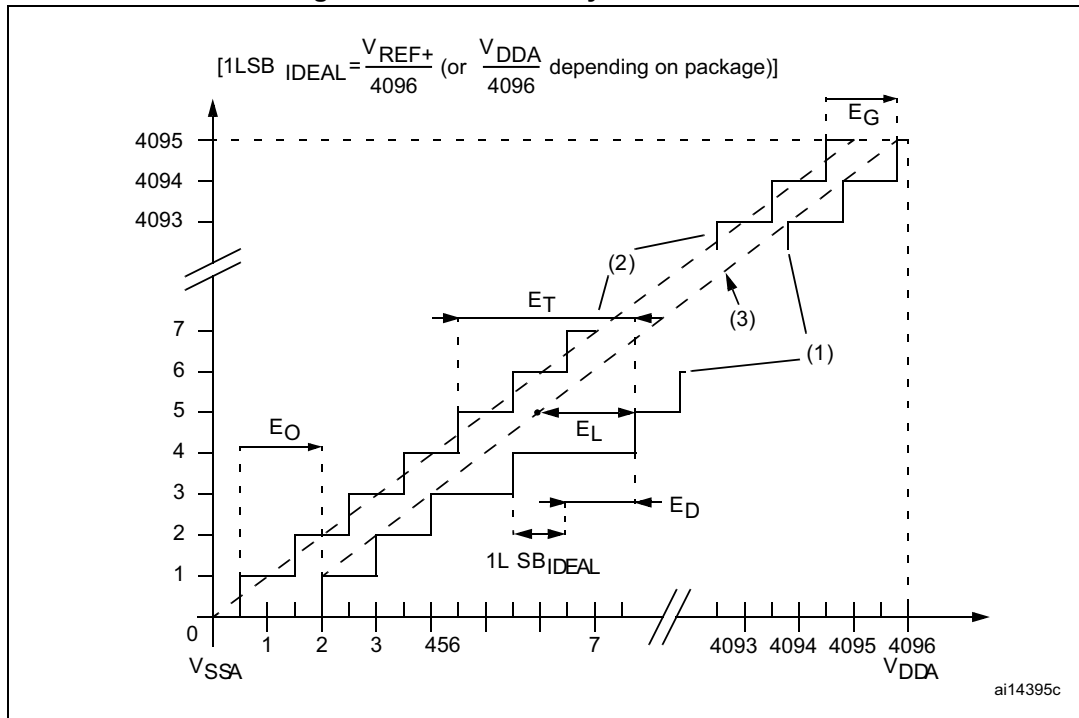
Table 68. ADC accuracy at f_{ADC} = 30 MHz

| Symbol | Parameter | Test conditions | Typ | Max ⁽¹⁾ | Unit |
|--------|------------------------------|--|------|--------------------|------|
| ET | Total unadjusted error | f _{PCLK2} = 60 MHz, f _{ADC} = 30 MHz, R _{AIN} < 10 kΩ, V _{DDA} = 1.8 ⁽²⁾ to 3.6 V | ±2 | ±5 | LSB |
| EO | Offset error | | ±1.5 | ±2.5 | |
| EG | Gain error | | ±1.5 | ±3 | |
| ED | Differential linearity error | | ±1 | ±2 | |
| EL | Integral linearity error | | ±1.5 | ±3 | |

1. Guaranteed by characterization.
2. V_{DD}/V_{DDA} minimum value of 1.7 V is obtained when the device operates in reduced temperature range, and with the use of an external power supply supervisor (refer to [Section : Internal reset OFF](#)).

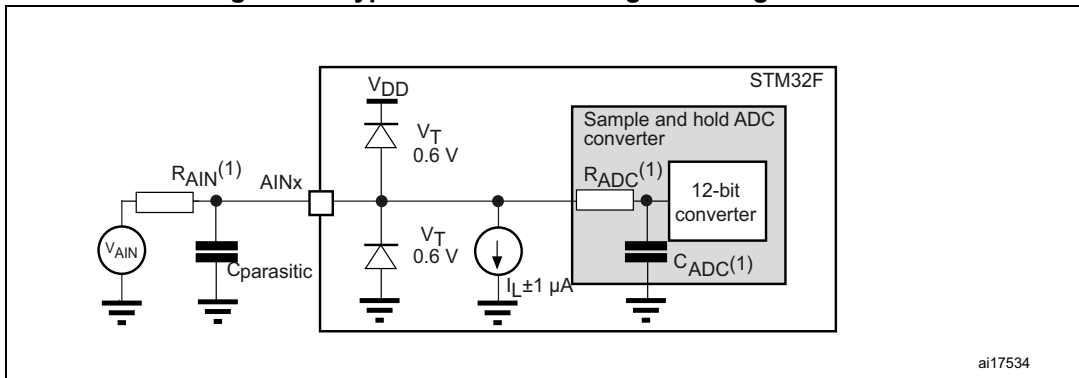
Note: **ADC accuracy vs. negative injection current:** injecting a negative current on any analog input pins should be avoided as this significantly reduces the accuracy of the conversion being performed on another analog input. It is recommended to add a Schottky diode (pin to ground) to analog pins which may potentially inject negative currents. Any positive injection current within the limits specified for I_{INJ(PIN)} and S_{IINJ(PIN)} in [Section 5.3.16](#) does not affect the ADC accuracy.

Figure 49. ADC accuracy characteristics



1. See also [Table 68](#).
2. Example of an actual transfer curve.
3. Ideal transfer curve.
4. End point correlation line.
5. E_T = Total Unadjusted Error: maximum deviation between the actual and the ideal transfer curves.
 E_O = Offset Error: deviation between the first actual transition and the first ideal one.
 E_G = Gain Error: deviation between the last ideal transition and the last actual one.
 E_D = Differential Linearity Error: maximum deviation between actual steps and the ideal one.
 E_L = Integral Linearity Error: maximum deviation between any actual transition and the end point correlation line.

Figure 50. Typical connection diagram using the ADC

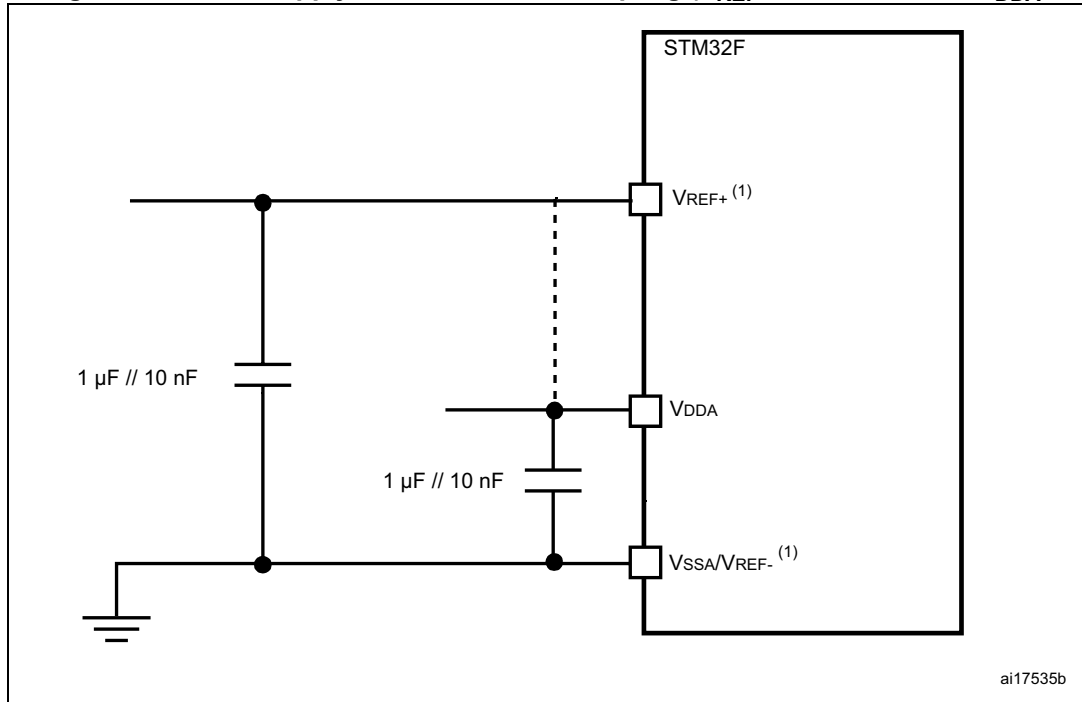


1. Refer to [Table 67](#) for the values of R_{AIN} , R_{ADC} and C_{ADC} .
2. $C_{parasitic}$ represents the capacitance of the PCB (dependent on soldering and PCB layout quality) plus the pad capacitance (roughly 5 pF). A high $C_{parasitic}$ value downgrades conversion accuracy. To remedy this, f_{ADC} should be reduced.

General PCB design guidelines

Power supply decoupling should be performed as shown in *Figure 51* or *Figure 52*, depending on whether V_{REF+} is connected to V_{DDA} or not. The 10 nF capacitors should be ceramic (good quality). They should be placed them as close as possible to the chip.

Figure 51. Power supply and reference decoupling (V_{REF+} not connected to V_{DDA})



1. V_{REF+} and V_{REF-} inputs are both available on UFBGA176. V_{REF+} is also available on LQFP100, LQFP144, and LQFP176. When V_{REF+} and V_{REF-} are not available, they are internally connected to V_{DDA} and V_{SSA} .

Figure 52. Power supply and reference decoupling (V_{REF+} connected to V_{DDA})



1. V_{REF+} and V_{REF-} inputs are both available on UFBGA176. V_{REF+} is also available on LQFP100, LQFP144, and LQFP176. When V_{REF+} and V_{REF-} are not available, they are internally connected to V_{DDA} and V_{SSA} .

5.3.22 Temperature sensor characteristics

Table 69. Temperature sensor characteristics

| Symbol | Parameter | Min | Typ | Max | Unit |
|--------------------------|---|-----|---------|---------|-----------------|
| $T_L^{(1)}$ | V_{SENSE} linearity with temperature | - | ± 1 | ± 2 | $^{\circ}C$ |
| Avg_Slope ⁽¹⁾ | Average slope | - | 2.5 | | mV/ $^{\circ}C$ |
| $V_{25}^{(1)}$ | Voltage at 25 $^{\circ}C$ | - | 0.76 | | V |
| $t_{START}^{(2)}$ | Startup time | - | 6 | 10 | μs |
| $T_{S_temp}^{(2)}$ | ADC sampling time when reading the temperature (1 $^{\circ}C$ accuracy) | 10 | - | - | μs |

1. Guaranteed by characterization.
2. Guaranteed by design.

Table 70. Temperature sensor calibration values

| Symbol | Parameter | Memory address |
|---------|--|---------------------------|
| TS_CAL1 | TS ADC raw data acquired at temperature of 30 $^{\circ}C$, $V_{DDA}=3.3$ V | 0x1FFF 7A2C - 0x1FFF 7A2D |
| TS_CAL2 | TS ADC raw data acquired at temperature of 110 $^{\circ}C$, $V_{DDA}=3.3$ V | 0x1FFF 7A2E - 0x1FFF 7A2F |

5.3.23 V_{BAT} monitoring characteristics

Table 71. V_{BAT} monitoring characteristics

| Symbol | Parameter | Min | Typ | Max | Unit |
|------------------------|---|-----|-----|-----|------------|
| R | Resistor bridge for V_{BAT} | - | 50 | - | K Ω |
| Q | Ratio on V_{BAT} measurement | - | 2 | - | |
| $E_r^{(1)}$ | Error on Q | -1 | - | +1 | % |
| $T_{S_vbat}^{(2)(2)}$ | ADC sampling time when reading the V_{BAT} 1 mV accuracy | 5 | - | - | μ s |

1. Guaranteed by design.
2. Shortest sampling time can be determined in the application by multiple iterations.

5.3.24 Embedded reference voltage

The parameters given in [Table 72](#) are derived from tests performed under ambient temperature and V_{DD} supply voltage conditions summarized in [Table 14](#).

Table 72. Embedded internal reference voltage

| Symbol | Parameter | Conditions | Min | Typ | Max | Unit |
|-----------------------|---|--|------|------|------|-----------------------|
| V_{REFINT} | Internal reference voltage | $-40\text{ }^\circ\text{C} < T_A < +105\text{ }^\circ\text{C}$ | 1.18 | 1.21 | 1.24 | V |
| $T_{S_refint}^{(1)}$ | ADC sampling time when reading the internal reference voltage | - | 10 | - | - | μ s |
| $V_{RERINT_s}^{(2)}$ | Internal reference voltage spread over the temperature range | $V_{DD} = 3\text{ V}$ | - | 3 | 5 | mV |
| $T_{Coeff}^{(2)}$ | Temperature coefficient | - | - | 30 | 50 | ppm/ $^\circ\text{C}$ |
| $t_{START}^{(2)}$ | Startup time | - | - | 6 | 10 | μ s |

1. Shortest sampling time can be determined in the application by multiple iterations.
2. Guaranteed by design.

Table 73. Internal reference voltage calibration values

| Symbol | Parameter | Memory address |
|------------------|--|---------------------------|
| V_{REFIN_CAL} | Raw data acquired at temperature of 30 $^\circ\text{C}$, $V_{DDA}=3.3\text{ V}$ | 0x1FFF 7A2A - 0x1FFF 7A2B |

5.3.25 DAC electrical characteristics

Table 74. DAC characteristics

| Symbol | Parameter | Min | Typ | Max | Unit | Comments |
|------------|--------------------------|--------------------|-----|-----|------|-------------------------|
| V_{DDA} | Analog supply voltage | 1.8 ⁽¹⁾ | - | 3.6 | V | |
| V_{REF+} | Reference supply voltage | 1.8 ⁽¹⁾ | - | 3.6 | V | $V_{REF+} \leq V_{DDA}$ |
| V_{SSA} | Ground | 0 | - | 0 | V | |

Table 74. DAC characteristics (continued)

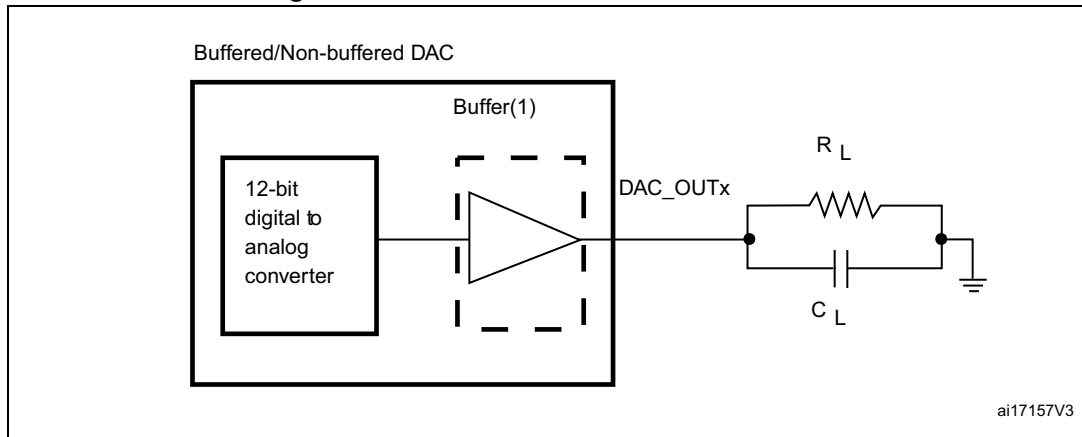
| Symbol | Parameter | Min | Typ | Max | Unit | Comments |
|----------------------------|---|-----|-----|-------------------|------------|--|
| $R_{LOAD}^{(2)}$ | Resistive load with buffer ON | 5 | - | - | k Ω | |
| $R_O^{(2)}$ | Impedance output with buffer OFF | - | - | 15 | k Ω | When the buffer is OFF, the Minimum resistive load between DAC_OUT and V_{SS} to have a 1% accuracy is 1.5 M Ω |
| $C_{LOAD}^{(2)}$ | Capacitive load | - | - | 50 | pF | Maximum capacitive load at DAC_OUT pin (when the buffer is ON). |
| DAC_OUT min ⁽²⁾ | Lower DAC_OUT voltage with buffer ON | 0.2 | - | - | V | It gives the maximum output excursion of the DAC. It corresponds to 12-bit input code (0x0E0) to (0xF1C) at $V_{REF+} = 3.6$ V and (0x1C7) to (0xE38) at $V_{REF+} = 1.8$ V |
| DAC_OUT max ⁽²⁾ | Higher DAC_OUT voltage with buffer ON | - | - | $V_{DDA} - 0.2$ | V | |
| DAC_OUT min ⁽²⁾ | Lower DAC_OUT voltage with buffer OFF | - | 0.5 | - | mV | It gives the maximum output excursion of the DAC. |
| DAC_OUT max ⁽²⁾ | Higher DAC_OUT voltage with buffer OFF | - | - | $V_{REF+} - 1LSB$ | V | |
| $I_{VREF+}^{(4)}$ | DAC DC V_{REF} current consumption in quiescent mode (Standby mode) | - | 170 | 240 | μ A | With no load, worst code (0x800) at $V_{REF+} = 3.6$ V in terms of DC consumption on the inputs |
| | | - | 50 | 75 | | With no load, worst code (0xF1C) at $V_{REF+} = 3.6$ V in terms of DC consumption on the inputs |
| $I_{DDA}^{(4)}$ | DAC DC V_{DDA} current consumption in quiescent mode ⁽³⁾ | - | 280 | 380 | μ A | With no load, middle code (0x800) on the inputs |
| | | - | 475 | 625 | μ A | With no load, worst code (0xF1C) at $V_{REF+} = 3.6$ V in terms of DC consumption on the inputs |
| DNL ⁽⁴⁾ | Differential non linearity Difference between two consecutive code-1LSB) | - | - | ± 0.5 | LSB | Given for the DAC in 10-bit configuration. |
| | | - | - | ± 2 | LSB | Given for the DAC in 12-bit configuration. |
| INL ⁽⁴⁾ | Integral non linearity (difference between measured value at Code i and the value at Code i on a line drawn between Code 0 and last Code 1023) | - | - | ± 1 | LSB | Given for the DAC in 10-bit configuration. |
| | | - | - | ± 4 | LSB | Given for the DAC in 12-bit configuration. |

Table 74. DAC characteristics (continued)

| Symbol | Parameter | Min | Typ | Max | Unit | Comments |
|----------------------------|--|-----|-----|------|------|---|
| Offset ⁽⁴⁾ | Offset error (difference between measured value at Code (0x800) and the ideal value = $V_{REF+}/2$) | - | - | ±10 | mV | Given for the DAC in 12-bit configuration |
| | | - | - | ±3 | LSB | Given for the DAC in 10-bit at $V_{REF+} = 3.6\text{ V}$ |
| | | - | - | ±12 | LSB | Given for the DAC in 12-bit at $V_{REF+} = 3.6\text{ V}$ |
| Gain error ⁽⁴⁾ | Gain error | - | - | ±0.5 | % | Given for the DAC in 12-bit configuration |
| $t_{SETTLING}^{(4)}$ | Settling time (full scale: for a 10-bit input code transition between the lowest and the highest input codes when DAC_OUT reaches final value ±4LSB) | - | 3 | 6 | µs | $C_{LOAD} \leq 50\text{ pF}$, $R_{LOAD} \geq 5\text{ k}\Omega$ |
| THD ⁽⁴⁾ | Total Harmonic Distortion Buffer ON | - | - | - | dB | $C_{LOAD} \leq 50\text{ pF}$, $R_{LOAD} \geq 5\text{ k}\Omega$ |
| Update rate ⁽²⁾ | Max frequency for a correct DAC_OUT change when small variation in the input code (from code i to i+1LSB) | - | - | 1 | MS/s | $C_{LOAD} \leq 50\text{ pF}$, $R_{LOAD} \geq 5\text{ k}\Omega$ |
| $t_{WAKEUP}^{(4)}$ | Wakeup time from off state (Setting the ENx bit in the DAC Control register) | - | 6.5 | 10 | µs | $C_{LOAD} \leq 50\text{ pF}$, $R_{LOAD} \geq 5\text{ k}\Omega$ input code between lowest and highest possible ones. |
| PSRR+ ⁽²⁾ | Power supply rejection ratio (to V_{DDA}) (static DC measurement) | - | -67 | -40 | dB | No R_{LOAD} , $C_{LOAD} = 50\text{ pF}$ |

- V_{DD}/V_{DDA} minimum value of 1.7 V is obtained when the device operates in reduced temperature range, and with the use of an external power supply supervisor (refer to [Section : Internal reset OFF](#)).
- Guaranteed by design.
- The quiescent mode corresponds to a state where the DAC maintains a stable output level to ensure that no dynamic consumption occurs.
- Guaranteed by characterization.

Figure 53. 12-bit buffered /non-buffered DAC



1. The DAC integrates an output buffer that can be used to reduce the output impedance and to drive external loads directly without the use of an external operational amplifier. The buffer can be bypassed by configuring the BOFFx bit in the DAC_CR register.

5.3.26 FSMC characteristics

Unless otherwise specified, the parameters given in [Table 75](#) to [Table 86](#) for the FSMC interface are derived from tests performed under the ambient temperature, f_{HCLK} frequency and V_{DD} supply voltage conditions summarized in [Table 14](#), with the following configuration:

- Output speed is set to OSPEEDRy[1:0] = 10
- Capacitive load C = 30 pF
- Measurement points are done at CMOS levels: $0.5V_{DD}$

Refer to [Section 5.3.16: I/O port characteristics](#) for more details on the input/output characteristics.

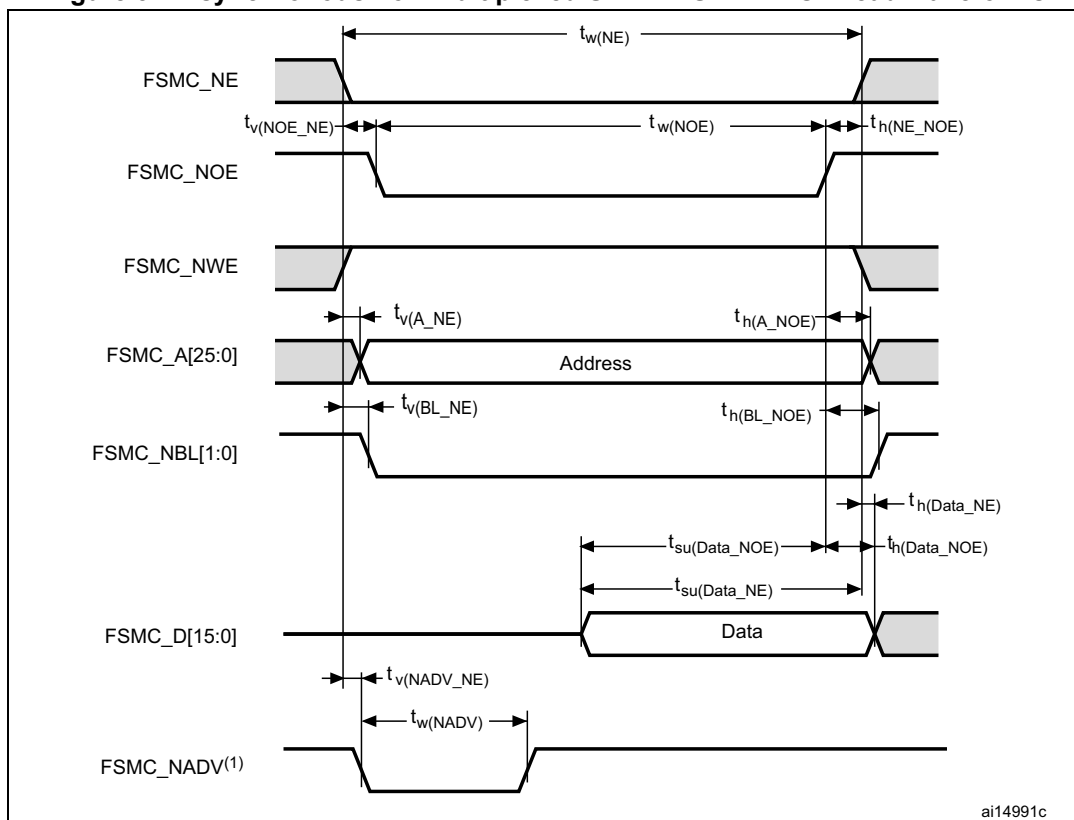
Asynchronous waveforms and timings

[Figure 54](#) through [Figure 57](#) represent asynchronous waveforms and [Table 75](#) through [Table 78](#) provide the corresponding timings. The results shown in these tables are obtained with the following FSMC configuration:

- AddressSetupTime = 1
- AddressHoldTime = 0x1
- DataSetupTime = 0x1
- BusTurnAroundDuration = 0x0

In all timing tables, the T_{HCLK} is the HCLK clock period.

Figure 54. Asynchronous non-multiplexed SRAM/PSRAM/NOR read waveforms



1. Mode 2/B, C and D only. In Mode 1, FSMC_NADV is not used.

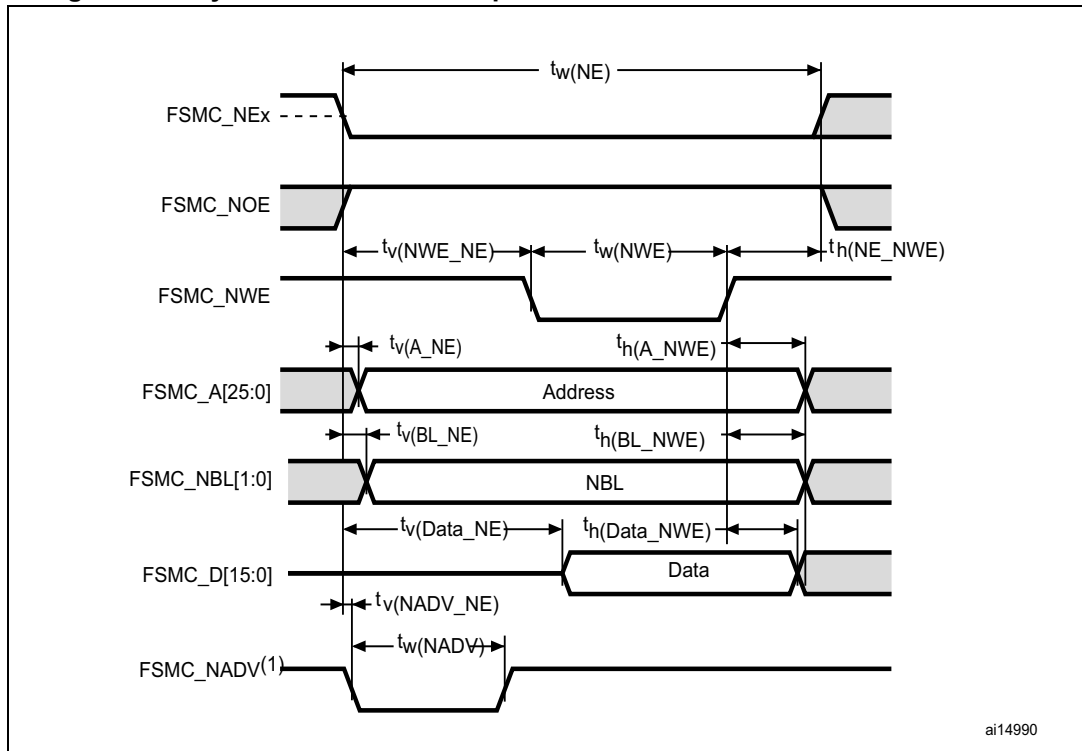
Table 75. Asynchronous non-multiplexed SRAM/PSRAM/NOR read timings⁽¹⁾⁽²⁾

| Symbol | Parameter | Min | Max | Unit |
|---------------------|---|-----------------|---------------|------|
| $t_{w(NE)}$ | FSMC_NE low time | $2T_{HCLK}-0.5$ | $2T_{HCLK}+1$ | ns |
| $t_{v(NOE_NE)}$ | FSMC_NEx low to FSMC_NOE low | 0.5 | 3 | ns |
| $t_{w(NOE)}$ | FSMC_NOE low time | $2T_{HCLK}-2$ | $2T_{HCLK}+2$ | ns |
| $t_{h(NE_NOE)}$ | FSMC_NOE high to FSMC_NE high hold time | 0 | - | ns |
| $t_{v(A_NE)}$ | FSMC_NEx low to FSMC_A valid | - | 4.5 | ns |
| $t_{h(A_NOE)}$ | Address hold time after FSMC_NOE high | 4 | - | ns |
| $t_{v(BL_NE)}$ | FSMC_NEx low to FSMC_BL valid | - | 1.5 | ns |
| $t_{h(BL_NOE)}$ | FSMC_BL hold time after FSMC_NOE high | 0 | - | ns |
| $t_{su(Data_NE)}$ | Data to FSMC_NEx high setup time | $T_{HCLK}+4$ | - | ns |
| $t_{su(Data_NOE)}$ | Data to FSMC_NOEx high setup time | $T_{HCLK}+4$ | - | ns |
| $t_{h(Data_NOE)}$ | Data hold time after FSMC_NOE high | 0 | - | ns |
| $t_{h(Data_NE)}$ | Data hold time after FSMC_NEx high | 0 | - | ns |
| $t_{v(NADV_NE)}$ | FSMC_NEx low to FSMC_NADV low | - | 2 | ns |
| $t_{w(NADV)}$ | FSMC_NADV low time | - | T_{HCLK} | ns |

1. $C_L = 30$ pF.

2. Guaranteed by characterization.

Figure 55. Asynchronous non-multiplexed SRAM/PSRAM/NOR write waveforms



1. Mode 2/B, C and D only. In Mode 1, FSMC_NADV is not used.

Table 76. Asynchronous non-multiplexed SRAM/PSRAM/NOR write timings⁽¹⁾⁽²⁾

| Symbol | Parameter | Min | Max | Unit |
|------------------|---|------------------|------------------|------|
| $t_w(NE)$ | FSMC_NE low time | $3T_{HCLK}$ | $3T_{HCLK} + 4$ | ns |
| $t_v(NWE_NE)$ | FSMC_NEx low to FSMC_NWE low | $T_{HCLK} - 0.5$ | $T_{HCLK} + 0.5$ | ns |
| $t_w(NWE)$ | FSMC_NWE low time | $T_{HCLK} - 1$ | $T_{HCLK} + 2$ | ns |
| $t_h(NE_NWE)$ | FSMC_NWE high to FSMC_NE high hold time | $T_{HCLK} - 1$ | - | ns |
| $t_v(A_NE)$ | FSMC_NEx low to FSMC_A valid | - | 0 | ns |
| $t_h(A_NWE)$ | Address hold time after FSMC_NWE high | $T_{HCLK} - 2$ | - | ns |
| $t_v(BL_NE)$ | FSMC_NEx low to FSMC_BL valid | - | 1.5 | ns |
| $t_h(BL_NWE)$ | FSMC_BL hold time after FSMC_NWE high | $T_{HCLK} - 1$ | - | ns |
| $t_v(Data_NE)$ | Data to FSMC_NEx low to Data valid | - | $T_{HCLK} + 3$ | ns |
| $t_h(Data_NWE)$ | Data hold time after FSMC_NWE high | $T_{HCLK} - 1$ | - | ns |
| $t_v(NADV_NE)$ | FSMC_NEx low to FSMC_NADV low | - | 2 | ns |
| $t_w(NADV)$ | FSMC_NADV low time | - | $T_{HCLK} + 0.5$ | ns |

1. $C_L = 30$ pF.
2. Guaranteed by characterization.

Figure 56. Asynchronous multiplexed PSRAM/NOR read waveforms

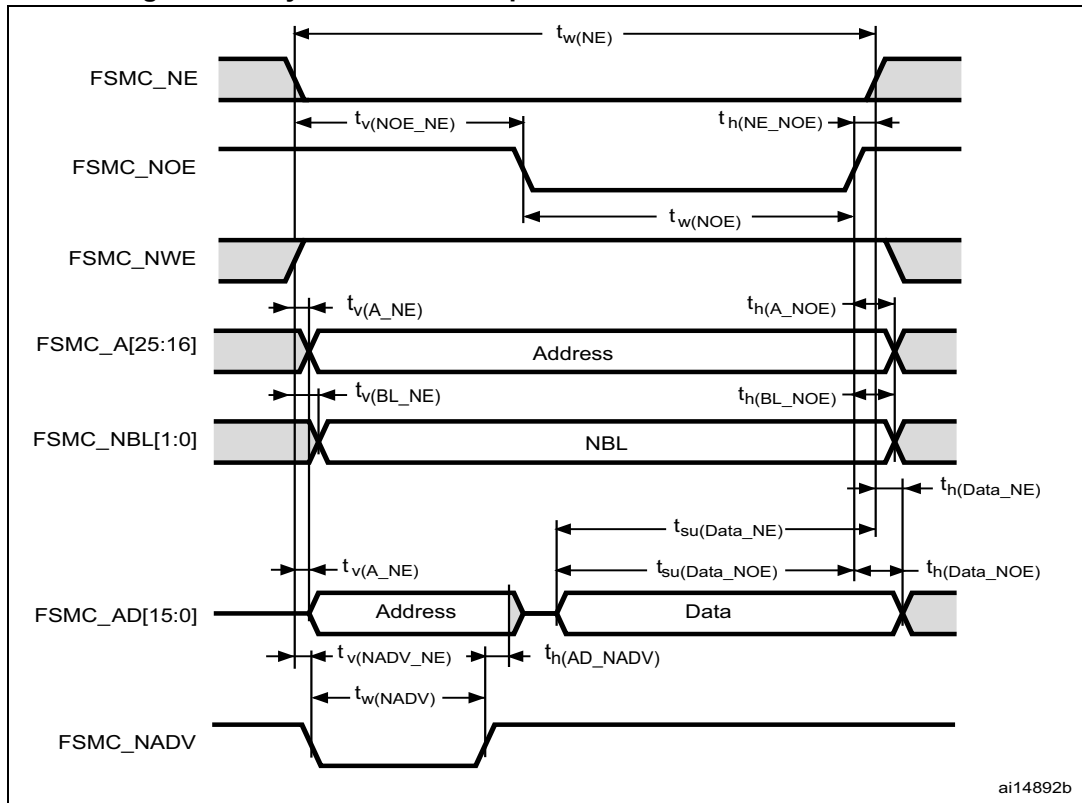


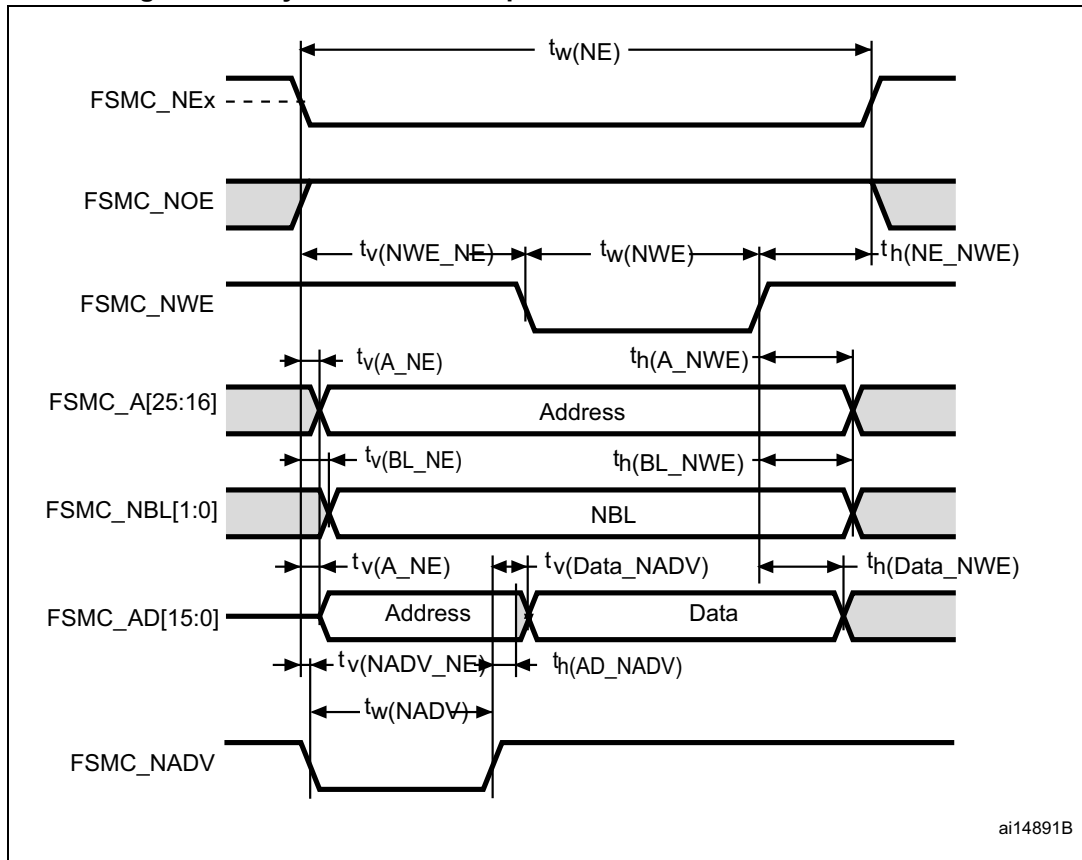
Table 77. Asynchronous multiplexed PSRAM/NOR read timings⁽¹⁾⁽²⁾

| Symbol | Parameter | Min | Max | Unit |
|---------------------|--|-----------------|-----------------|------|
| $t_{w(NE)}$ | FSMC_NE low time | $3T_{HCLK}-1$ | $3T_{HCLK}+1$ | ns |
| $t_{v(NOE_NE)}$ | FSMC_NEx low to FSMC_NOE low | $2T_{HCLK}-0.5$ | $2T_{HCLK}+0.5$ | ns |
| $t_{w(NOE)}$ | FSMC_NOE low time | $T_{HCLK}-1$ | $T_{HCLK}+1$ | ns |
| $t_{h(NE_NOE)}$ | FSMC_NOE high to FSMC_NE high hold time | 0 | - | ns |
| $t_{v(A_NE)}$ | FSMC_NEx low to FSMC_A valid | - | 3 | ns |
| $t_{v(NADV_NE)}$ | FSMC_NEx low to FSMC_NADV low | 1 | 2 | ns |
| $t_{w(NADV)}$ | FSMC_NADV low time | $T_{HCLK}-2$ | $T_{HCLK}+1$ | ns |
| $t_{h(AD_NADV)}$ | FSMC_AD(adress) valid hold time after FSMC_NADV high | T_{HCLK} | - | ns |
| $t_{h(A_NOE)}$ | Address hold time after FSMC_NOE high | $T_{HCLK}-1$ | - | ns |
| $t_{h(BL_NOE)}$ | FSMC_BL time after FSMC_NOE high | 0 | - | ns |
| $t_{v(BL_NE)}$ | FSMC_NEx low to FSMC_BL valid | - | 2 | ns |
| $t_{su(Data_NE)}$ | Data to FSMC_NEx high setup time | $T_{HCLK}+4$ | - | ns |
| $t_{su(Data_NOE)}$ | Data to FSMC_NOE high setup time | $T_{HCLK}+4$ | - | ns |
| $t_{h(Data_NE)}$ | Data hold time after FSMC_NEx high | 0 | - | ns |
| $t_{h(Data_NOE)}$ | Data hold time after FSMC_NOE high | 0 | - | ns |

1. $C_L = 30$ pF.

2. Guaranteed by characterization.

Figure 57. Asynchronous multiplexed PSRAM/NOR write waveforms



ai14891B

Table 78. Asynchronous multiplexed PSRAM/NOR write timings⁽¹⁾⁽²⁾

| Symbol | Parameter | Min | Max | Unit |
|---------------------|--|-----------------|----------------|------|
| $t_{w(NE)}$ | FSMC_NEx low time | $4T_{HCLK}-0.5$ | $4T_{HCLK}+3$ | ns |
| $t_{v(NWE_NE)}$ | FSMC_NEx low to FSMC_NWE low | $T_{HCLK}-0.5$ | $T_{HCLK}-0.5$ | ns |
| $t_{w(NWE)}$ | FSMC_NWE low time | $2T_{HCLK}-0.5$ | $2T_{HCLK}+3$ | ns |
| $t_{h(NE_NWE)}$ | FSMC_NWE high to FSMC_NE high hold time | T_{HCLK} | - | ns |
| $t_{v(A_NE)}$ | FSMC_NEx low to FSMC_A valid | - | 0 | ns |
| $t_{v(NADV_NE)}$ | FSMC_NEx low to FSMC_NADV low | 1 | 2 | ns |
| $t_{w(NADV)}$ | FSMC_NADV low time | $T_{HCLK}-2$ | $T_{HCLK}+1$ | ns |
| $t_{h(AD_NADV)}$ | FSMC_AD(address) valid hold time after FSMC_NADV high) | $T_{HCLK}-2$ | - | ns |
| $t_{h(A_NWE)}$ | Address hold time after FSMC_NWE high | T_{HCLK} | - | ns |
| $t_{h(BL_NWE)}$ | FSMC_BL hold time after FSMC_NWE high | $T_{HCLK}-2$ | - | ns |
| $t_{v(BL_NE)}$ | FSMC_NEx low to FSMC_BL valid | - | 1.5 | ns |
| $t_{v(Data_NADV)}$ | FSMC_NADV high to Data valid | - | $T_{HCLK}-0.5$ | ns |
| $t_{h(Data_NWE)}$ | Data hold time after FSMC_NWE high | T_{HCLK} | - | ns |

1. $C_L = 30$ pF.

2. Guaranteed by characterization.

Synchronous waveforms and timings

Figure 58 through Figure 61 represent synchronous waveforms and Table 80 through Table 82 provide the corresponding timings. The results shown in these tables are obtained with the following FSMC configuration:

- BurstAccessMode = FSMC_BurstAccessMode_Enable;
- MemoryType = FSMC_MemoryType_CRAM;
- WriteBurst = FSMC_WriteBurst_Enable;
- CLKDivision = 1; (0 is not supported, see the STM32F40xxx/41xxx reference manual)
- DataLatency = 1 for NOR Flash; DataLatency = 0 for PSRAM

In all timing tables, the T_{HCLK} is the HCLK clock period (with maximum FSMC_CLK = 60 MHz).

Figure 58. Synchronous multiplexed NOR/PSRAM read timings

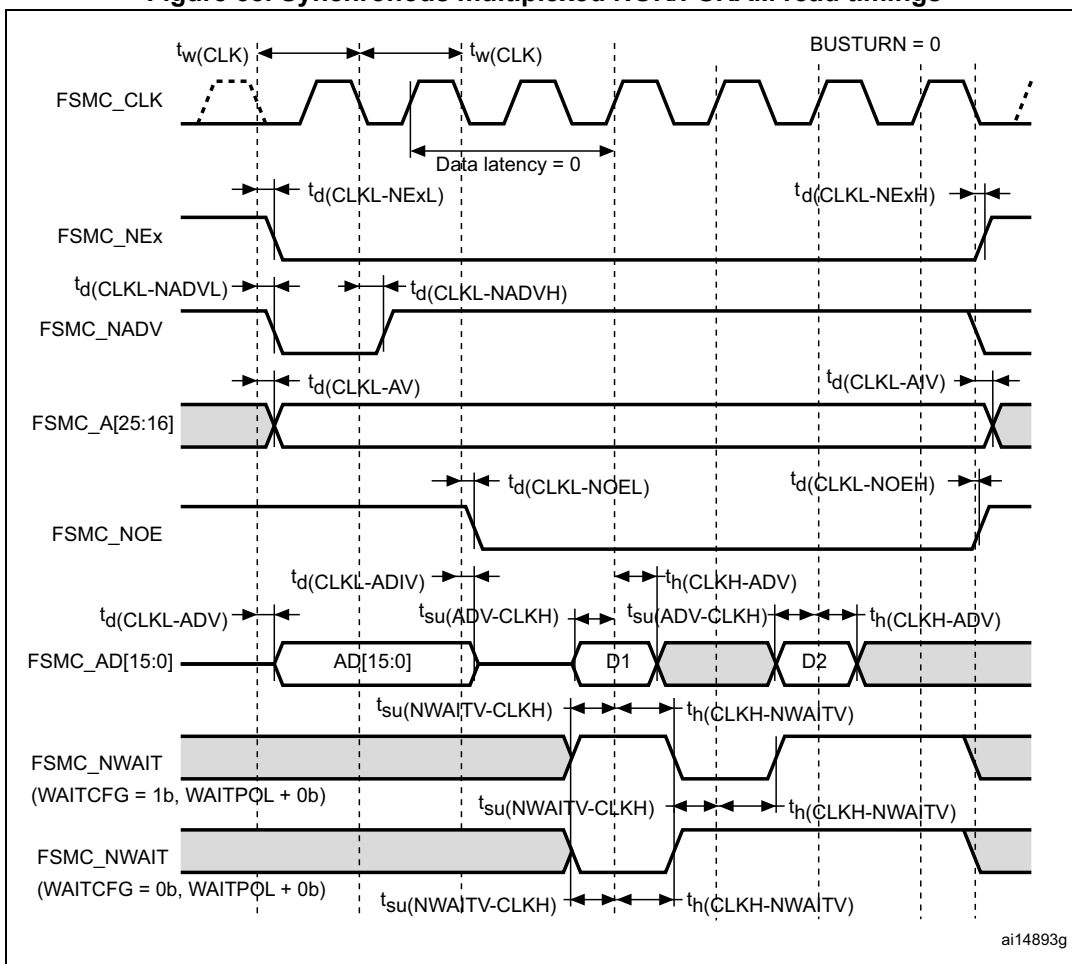


Table 79. Synchronous multiplexed NOR/PSRAM read timings⁽¹⁾⁽²⁾

| Symbol | Parameter | Min | Max | Unit |
|-----------------------------|--|--------------------|-----|------|
| $t_{w(\text{CLK})}$ | FSMC_CLK period | $2T_{\text{HCLK}}$ | - | ns |
| $t_{d(\text{CLKL-NExL})}$ | FSMC_CLK low to FSMC_NEx low (x=0..2) | - | 0 | ns |
| $t_{d(\text{CLKL-NExH})}$ | FSMC_CLK low to FSMC_NEx high (x= 0..2) | 2 | - | ns |
| $t_{d(\text{CLKL-NADV})}$ | FSMC_CLK low to FSMC_NADV low | - | 2 | ns |
| $t_{d(\text{CLKL-NADVH})}$ | FSMC_CLK low to FSMC_NADV high | 2 | - | ns |
| $t_{d(\text{CLKL-AV})}$ | FSMC_CLK low to FSMC_Ax valid (x=16...25) | - | 0 | ns |
| $t_{d(\text{CLKL-AIV})}$ | FSMC_CLK low to FSMC_Ax invalid (x=16...25) | 0 | - | ns |
| $t_{d(\text{CLKL-NOEL})}$ | FSMC_CLK low to FSMC_NOE low | - | 0 | ns |
| $t_{d(\text{CLKL-NOEH})}$ | FSMC_CLK low to FSMC_NOE high | 2 | - | ns |
| $t_{d(\text{CLKL-ADV})}$ | FSMC_CLK low to FSMC_AD[15:0] valid | - | 4.5 | ns |
| $t_{d(\text{CLKL-ADIV})}$ | FSMC_CLK low to FSMC_AD[15:0] invalid | 0 | - | ns |
| $t_{su(\text{ADV-CLKH})}$ | FSMC_A/D[15:0] valid data before FSMC_CLK high | 6 | - | ns |
| $t_h(\text{CLKH-ADV})}$ | FSMC_A/D[15:0] valid data after FSMC_CLK high | 0 | - | ns |
| $t_{su(\text{NWAIT-CLKH})}$ | FSMC_NWAIT valid before FSMC_CLK high | 4 | - | ns |
| $t_h(\text{CLKH-NWAIT})}$ | FSMC_NWAIT valid after FSMC_CLK high | 0 | - | ns |

1. $C_L = 30$ pF.
2. Guaranteed by characterization.

Figure 59. Synchronous multiplexed PSRAM write timings

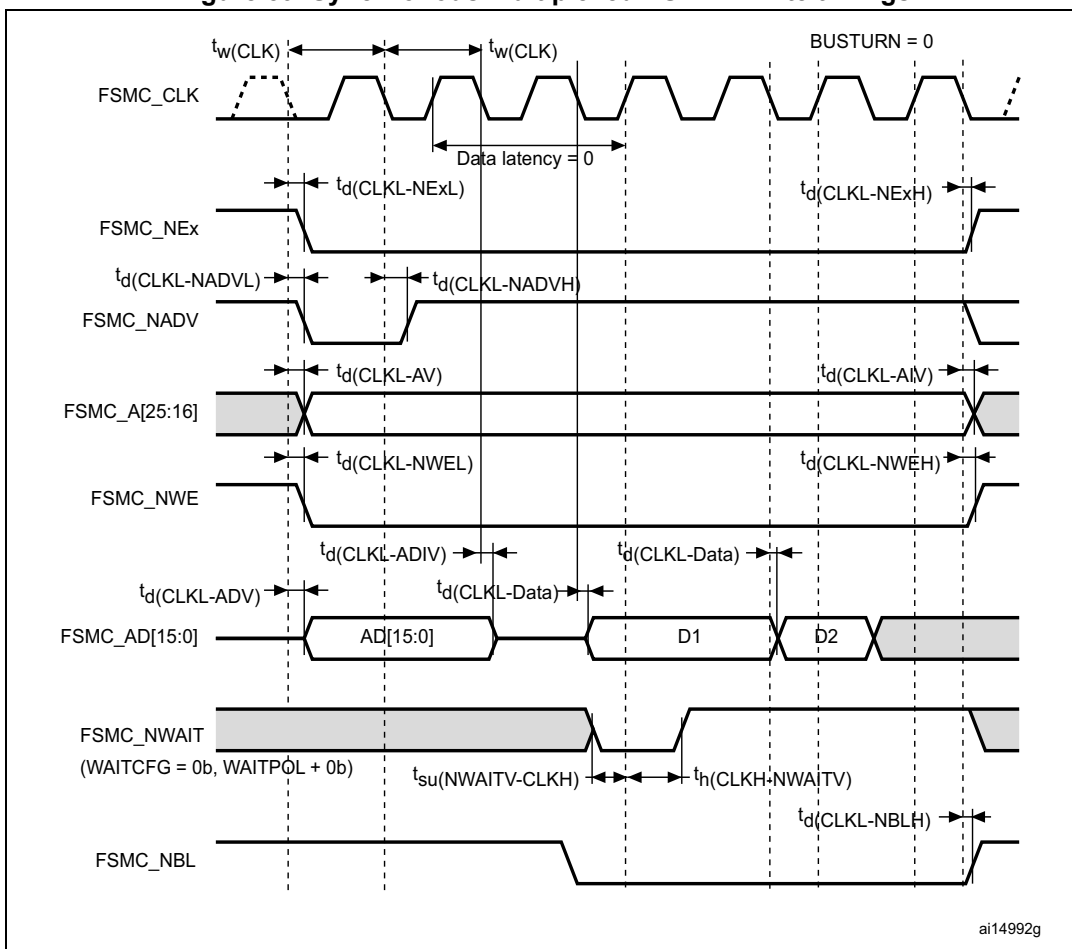


Table 80. Synchronous multiplexed PSRAM write timings⁽¹⁾⁽²⁾

| Symbol | Parameter | Min | Max | Unit |
|--------------------------|--|--------------------|-----|------|
| $t_w(\text{CLK})$ | FSMC_CLK period | $2T_{\text{HCLK}}$ | - | ns |
| $t_d(\text{CLKL-NExL})$ | FSMC_CLK low to FSMC_NEx low (x=0..2) | - | 1 | ns |
| $t_d(\text{CLKL-NExH})$ | FSMC_CLK low to FSMC_NEx high (x= 0..2) | 1 | - | ns |
| $t_d(\text{CLKL-NADVL})$ | FSMC_CLK low to FSMC_NADV low | - | 0 | ns |
| $t_d(\text{CLKL-NADVH})$ | FSMC_CLK low to FSMC_NADV high | 0 | - | ns |
| $t_d(\text{CLKL-AV})$ | FSMC_CLK low to FSMC_Ax valid (x=16...25) | - | 0 | ns |
| $t_d(\text{CLKL-AIV})$ | FSMC_CLK low to FSMC_Ax invalid (x=16...25) | 8 | - | ns |
| $t_d(\text{CLKL-NWEL})$ | FSMC_CLK low to FSMC_NWE low | - | 0.5 | ns |
| $t_d(\text{CLKL-NWEH})$ | FSMC_CLK low to FSMC_NWE high | 0 | - | ns |
| $t_d(\text{CLKL-ADIV})$ | FSMC_CLK low to FSMC_AD[15:0] invalid | 0 | - | ns |
| $t_d(\text{CLKL-DATA})$ | FSMC_A/D[15:0] valid data after FSMC_CLK low | - | 3 | ns |

Table 80. Synchronous multiplexed PSRAM write timings⁽¹⁾⁽²⁾ (continued)

| Symbol | Parameter | Min | Max | Unit |
|----------------------|---------------------------------------|-----|-----|------|
| $t_{d(CLKL-NBLH)}$ | FSMC_CLK low to FSMC_NBL high | 0 | - | ns |
| $t_{su(NWAIT-CLKH)}$ | FSMC_NWAIT valid before FSMC_CLK high | 4 | - | ns |
| $t_{h(CLKH-NWAIT)}$ | FSMC_NWAIT valid after FSMC_CLK high | 0 | - | ns |

1. $C_L = 30$ pF.
2. Guaranteed by characterization.

Figure 60. Synchronous non-multiplexed NOR/PSRAM read timings

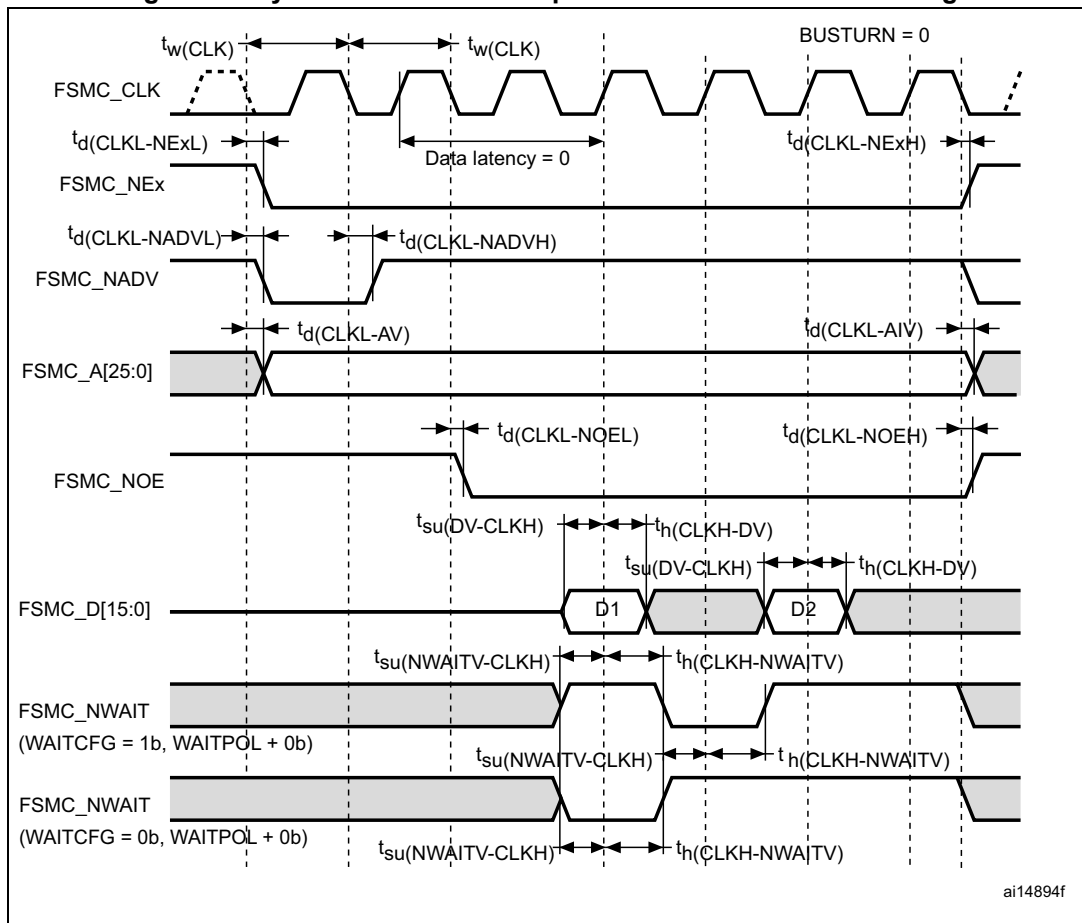


Table 81. Synchronous non-multiplexed NOR/PSRAM read timings⁽¹⁾⁽²⁾

| Symbol | Parameter | Min | Max | Unit |
|----------------------|--|-------------------|-----|------|
| $t_{w(CLK)}$ | FSMC_CLK period | $2T_{HCLK} - 0.5$ | - | ns |
| $t_{d(CLKL-NExL)}$ | FSMC_CLK low to FSMC_NEx low (x=0..2) | - | 0.5 | ns |
| $t_{d(CLKL-NExH)}$ | FSMC_CLK low to FSMC_NEx high (x= 0..2) | 0 | - | ns |
| $t_{d(CLKL-NADVL)}$ | FSMC_CLK low to FSMC_NADV low | - | 2 | ns |
| $t_{d(CLKL-NADVH)}$ | FSMC_CLK low to FSMC_NADV high | 3 | - | ns |
| $t_{d(CLKL-AV)}$ | FSMC_CLK low to FSMC_Ax valid (x=16...25) | - | 0 | ns |
| $t_{d(CLKL-AIV)}$ | FSMC_CLK low to FSMC_Ax invalid (x=16...25) | 2 | - | ns |
| $t_{d(CLKL-NOEL)}$ | FSMC_CLK low to FSMC_NOE low | - | 0.5 | ns |
| $t_{d(CLKL-NOEH)}$ | FSMC_CLK low to FSMC_NOE high | 1.5 | - | ns |
| $t_{su(DV-CLKH)}$ | FSMC_D[15:0] valid data before FSMC_CLK high | 6 | - | ns |
| $t_h(CLKH-DV)$ | FSMC_D[15:0] valid data after FSMC_CLK high | 3 | - | ns |
| $t_{su(NWAIT-CLKH)}$ | FSMC_NWAIT valid before FSMC_CLK high | 4 | - | ns |
| $t_h(CLKH-NWAIT)$ | FSMC_NWAIT valid after FSMC_CLK high | 0 | - | ns |

1. $C_L = 30$ pF.
2. Guaranteed by characterization.

Figure 61. Synchronous non-multiplexed PSRAM write timings

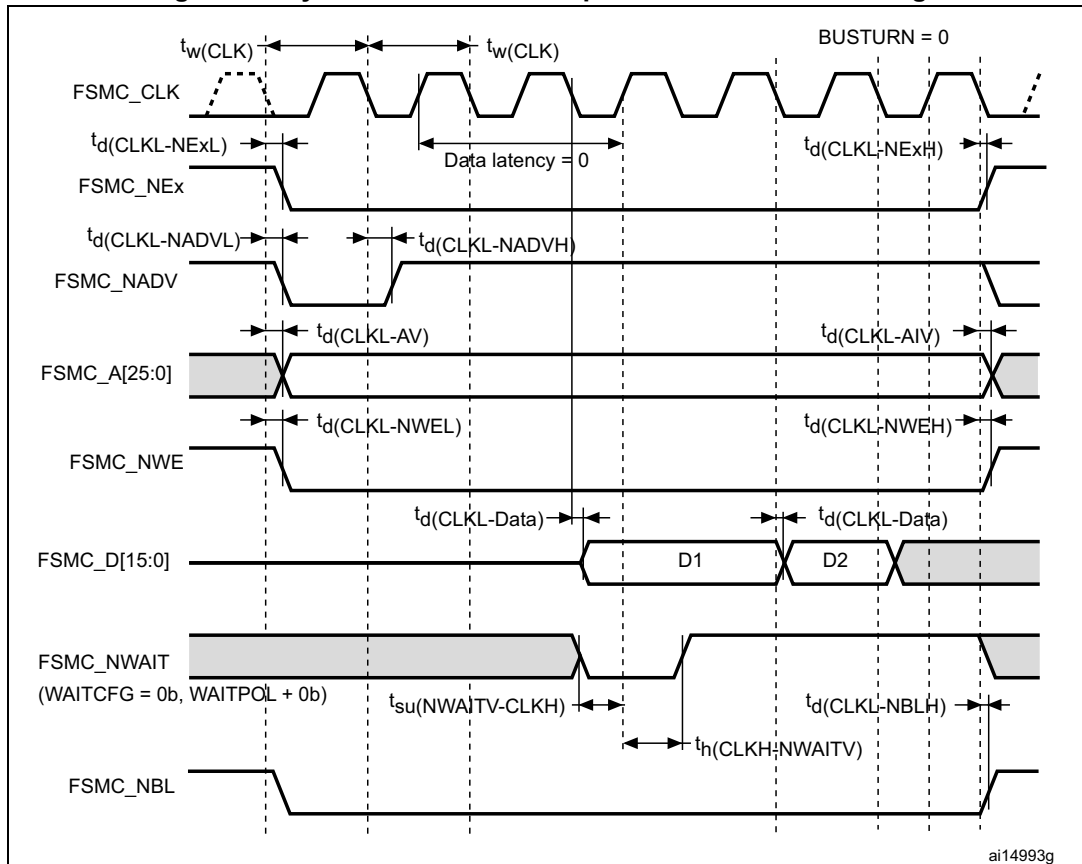


Table 82. Synchronous non-multiplexed PSRAM write timings⁽¹⁾⁽²⁾

| Symbol | Parameter | Min | Max | Unit |
|-----------------------|---|-------------|-----|------|
| $t_{w(CLK)}$ | FSMC_CLK period | $2T_{HCLK}$ | - | ns |
| $t_{d(CLKL-NExL)}$ | FSMC_CLK low to FSMC_NEx low (x=0..2) | - | 1 | ns |
| $t_{d(CLKL-NExH)}$ | FSMC_CLK low to FSMC_NEx high (x= 0...2) | 1 | - | ns |
| $t_{d(CLKL-NADVL)}$ | FSMC_CLK low to FSMC_NADV low | - | 7 | ns |
| $t_{d(CLKL-NADVH)}$ | FSMC_CLK low to FSMC_NADV high | 6 | - | ns |
| $t_{d(CLKL-AV)}$ | FSMC_CLK low to FSMC_Ax valid (x=16...25) | - | 0 | ns |
| $t_{d(CLKL-AIV)}$ | FSMC_CLK low to FSMC_Ax invalid (x=16...25) | 6 | - | ns |
| $t_{d(CLKL-NWEL)}$ | FSMC_CLK low to FSMC_NWE low | - | 1 | ns |
| $t_{d(CLKL-NWEH)}$ | FSMC_CLK low to FSMC_NWE high | 2 | - | ns |
| $t_{d(CLKL-Data)}$ | FSMC_D[15:0] valid data after FSMC_CLK low | - | 3 | ns |
| $t_{d(CLKL-NBLH)}$ | FSMC_CLK low to FSMC_NBL high | 3 | - | ns |
| $t_{su(NWAITV-CLKH)}$ | FSMC_NWAIT valid before FSMC_CLK high | 4 | - | ns |
| $t_{h(CLKH-NWAIT)}$ | FSMC_NWAIT valid after FSMC_CLK high | 0 | - | ns |

1. $C_L = 30$ pF.
2. Guaranteed by characterization.

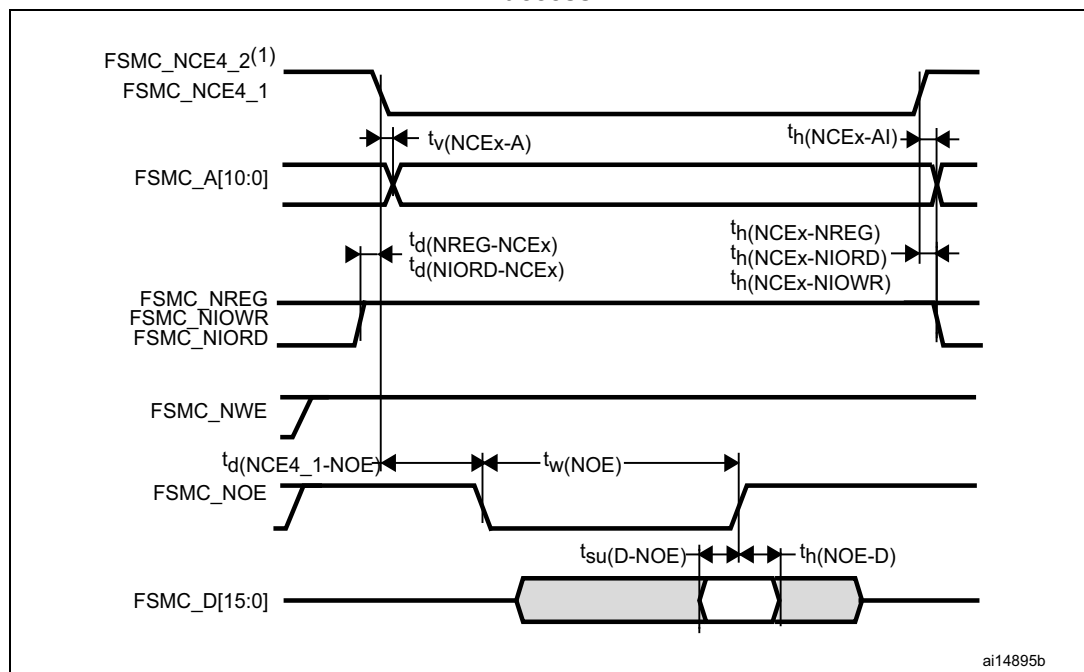
PC Card/CompactFlash controller waveforms and timings

Figure 62 through Figure 67 represent synchronous waveforms, and Table 83 and Table 84 provide the corresponding timings. The results shown in this table are obtained with the following FSMC configuration:

- COM.FSMC_SetupTime = 0x04;
- COM.FSMC_WaitSetupTime = 0x07;
- COM.FSMC_HoldSetupTime = 0x04;
- COM.FSMC_HiZSetupTime = 0x00;
- ATT.FSMC_SetupTime = 0x04;
- ATT.FSMC_WaitSetupTime = 0x07;
- ATT.FSMC_HoldSetupTime = 0x04;
- ATT.FSMC_HiZSetupTime = 0x00;
- IO.FSMC_SetupTime = 0x04;
- IO.FSMC_WaitSetupTime = 0x07;
- IO.FSMC_HoldSetupTime = 0x04;
- IO.FSMC_HiZSetupTime = 0x00;
- TCLRSetupTime = 0;
- TARSetupTime = 0.

In all timing tables, the T_{HCLK} is the HCLK clock period.

Figure 62. PC Card/CompactFlash controller waveforms for common memory read access



1. FSMC_NCE4_2 remains high (inactive during 8-bit access).

Figure 63. PC Card/CompactFlash controller waveforms for common memory write access

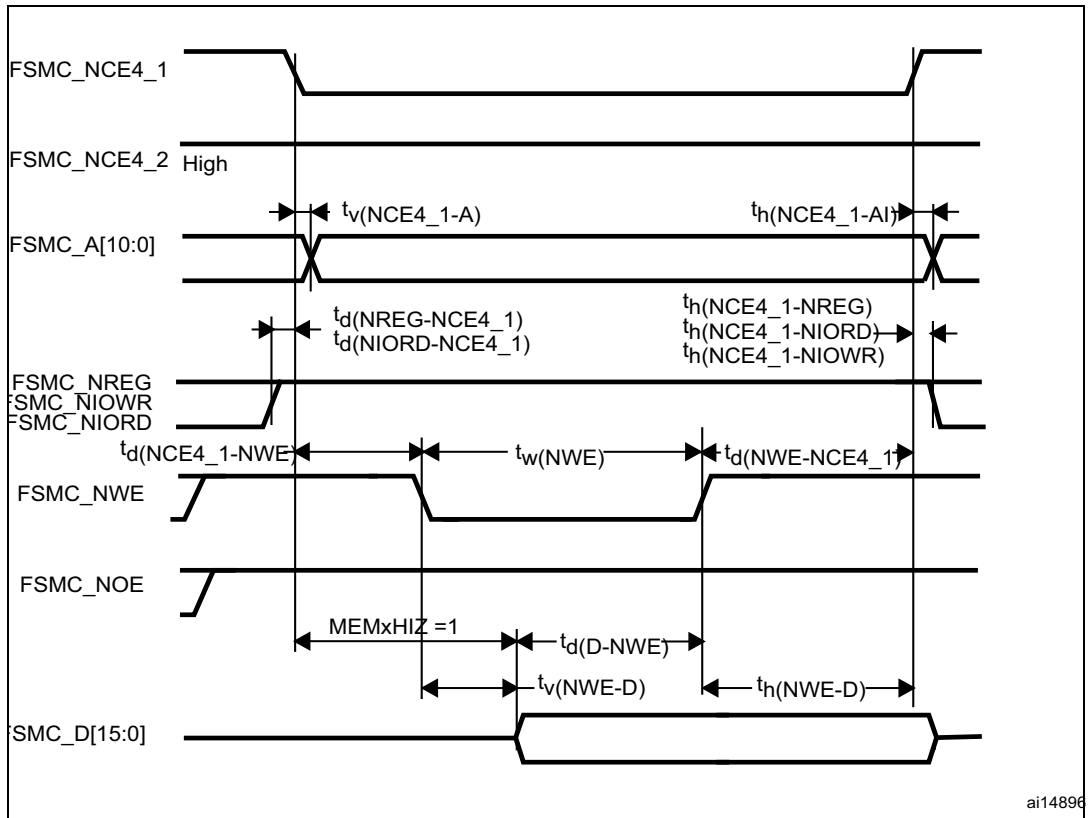


Figure 64. PC Card/CompactFlash controller waveforms for attribute memory read access



1. Only data bits 0...7 are read (bits 8...15 are disregarded).

Figure 65. PC Card/CompactFlash controller waveforms for attribute memory write access



1. Only data bits 0...7 are driven (bits 8...15 remains Hi-Z).

Figure 66. PC Card/CompactFlash controller waveforms for I/O space read access

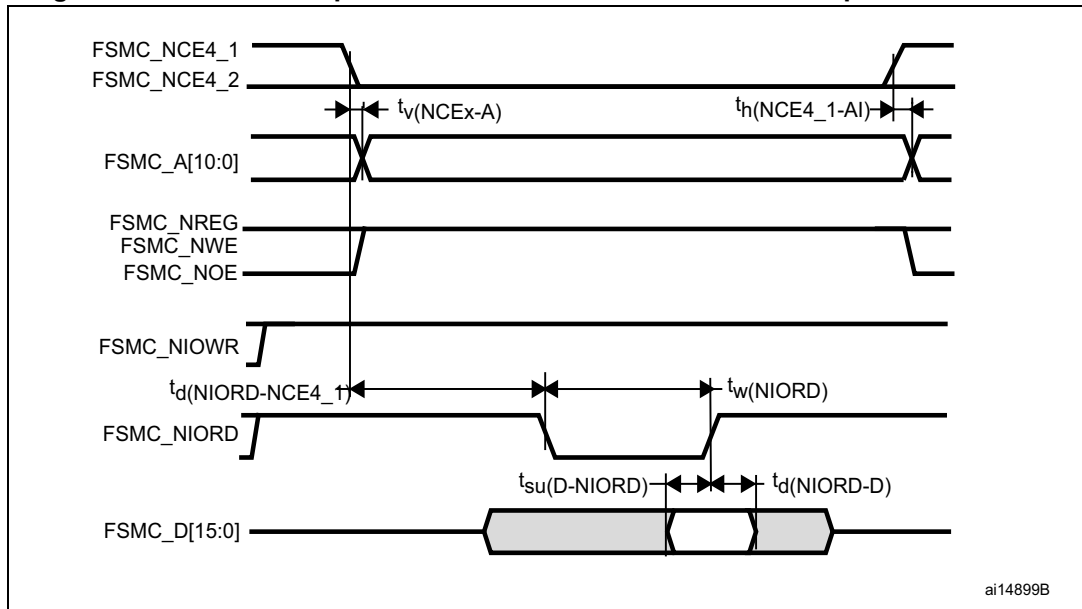


Figure 67. PC Card/CompactFlash controller waveforms for I/O space write access

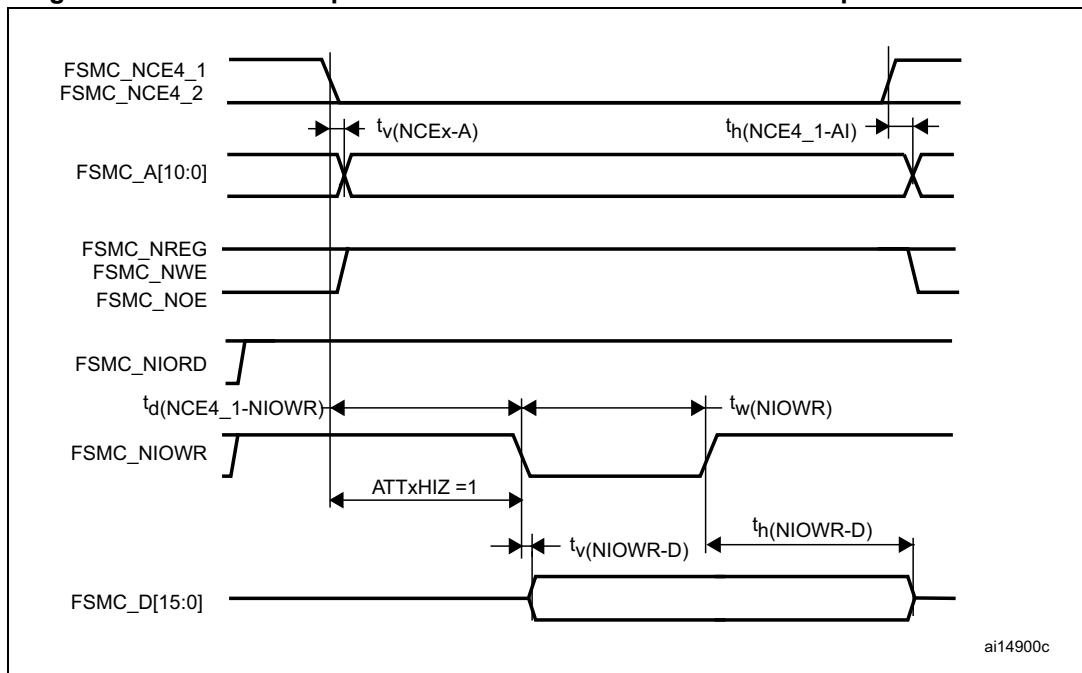


Table 83. Switching characteristics for PC Card/CF read and write cycles in attribute/common space⁽¹⁾⁽²⁾

| Symbol | Parameter | Min | Max | Unit |
|--------------------|--|-----------------|-----------------|------|
| $t_{v(NCEx-A)}$ | FSMC_Ncex low to FSMC_Ay valid | - | 0 | ns |
| $t_{h(NCEx-AI)}$ | FSMC_NCEx high to FSMC_Ax invalid | 4 | - | ns |
| $t_{d(NREG-NCEx)}$ | FSMC_NCEx low to FSMC_NREG valid | - | 3.5 | ns |
| $t_{h(NCEx-NREG)}$ | FSMC_NCEx high to FSMC_NREG invalid | $T_{HCLK}+4$ | - | ns |
| $t_{d(NCEx-NWE)}$ | FSMC_NCEx low to FSMC_NWE low | - | $5T_{HCLK}+0.5$ | ns |
| $t_{d(NCEx-NOE)}$ | FSMC_NCEx low to FSMC_NOE low | - | $5T_{HCLK}+0.5$ | ns |
| $t_w(NOE)$ | FSMC_NOE low width | $8T_{HCLK}-1$ | $8T_{HCLK}+1$ | ns |
| $t_{d(NOE-NCEx)}$ | FSMC_NOE high to FSMC_NCEx high | $5T_{HCLK}+2.5$ | - | ns |
| $t_{su(D-NOE)}$ | FSMC_D[15:0] valid data before FSMC_NOE high | 4.5 | - | ns |
| $t_{h(NOE-D)}$ | FSMC_NOE high to FSMC_D[15:0] invalid | 3 | - | ns |
| $t_w(NWE)$ | FSMC_NWE low width | $8T_{HCLK}-0.5$ | $8T_{HCLK}+3$ | ns |
| $t_{d(NWE-NCEx)}$ | FSMC_NWE high to FSMC_NCEx high | $5T_{HCLK}-1$ | - | ns |
| $t_{d(NCEx-NWE)}$ | FSMC_NCEx low to FSMC_NWE low | - | $5T_{HCLK}+1$ | ns |
| $t_{v(NWE-D)}$ | FSMC_NWE low to FSMC_D[15:0] valid | - | 0 | ns |
| $t_h(NWE-D)$ | FSMC_NWE high to FSMC_D[15:0] invalid | $8T_{HCLK}-1$ | - | ns |
| $t_d(D-NWE)$ | FSMC_D[15:0] valid before FSMC_NWE high | $13T_{HCLK}-1$ | - | ns |

1. $C_L = 30$ pF.
2. Guaranteed by characterization.

Table 84. Switching characteristics for PC Card/CF read and write cycles in I/O space⁽¹⁾⁽²⁾

| Symbol | Parameter | Min | Max | Unit |
|------------------------|---|-------------------|-------------------|------|
| $t_{w(NIOWR)}$ | FSMC_NIOWR low width | $8T_{HCLK} - 1$ | - | ns |
| $t_{v(NIOWR-D)}$ | FSMC_NIOWR low to FSMC_D[15:0] valid | - | $5T_{HCLK} - 1$ | ns |
| $t_{h(NIOWR-D)}$ | FSMC_NIOWR high to FSMC_D[15:0] invalid | $8T_{HCLK} - 2$ | - | ns |
| $t_{d(NCE4_1-NIOWR)}$ | FSMC_NCE4_1 low to FSMC_NIOWR valid | - | $5T_{HCLK} + 2.5$ | ns |
| $t_{h(NCEX-NIOWR)}$ | FSMC_NCEX high to FSMC_NIOWR invalid | $5T_{HCLK} - 1.5$ | - | ns |
| $t_{d(NIORD-NCEX)}$ | FSMC_NCEX low to FSMC_NIORD valid | - | $5T_{HCLK} + 2$ | ns |
| $t_{h(NCEX-NIORD)}$ | FSMC_NCEX high to FSMC_NIORD) valid | $5T_{HCLK} - 1.5$ | - | ns |
| $t_{w(NIORD)}$ | FSMC_NIORD low width | $8T_{HCLK} - 0.5$ | - | ns |
| $t_{su(D-NIORD)}$ | FSMC_D[15:0] valid before FSMC_NIORD high | 9 | - | ns |
| $t_{d(NIORD-D)}$ | FSMC_D[15:0] valid after FSMC_NIORD high | 0 | - | ns |

1. $C_L = 30$ pF.
2. Guaranteed by characterization.

NAND controller waveforms and timings

Figure 68 through *Figure 71* represent synchronous waveforms, and *Table 85* and *Table 86* provide the corresponding timings. The results shown in this table are obtained with the following FSMC configuration:

- COM.FSMC_SetupTime = 0x01;
- COM.FSMC_WaitSetupTime = 0x03;
- COM.FSMC_HoldSetupTime = 0x02;
- COM.FSMC_HiZSetupTime = 0x01;
- ATT.FSMC_SetupTime = 0x01;
- ATT.FSMC_WaitSetupTime = 0x03;
- ATT.FSMC_HoldSetupTime = 0x02;
- ATT.FSMC_HiZSetupTime = 0x01;
- Bank = FSMC_Bank_NAND;
- MemoryDataWidth = FSMC_MemoryDataWidth_16b;
- ECC = FSMC_ECC_Enable;
- ECCPageSize = FSMC_ECCPageSize_512Bytes;
- TCLRSetupTime = 0;
- TARSetupTime = 0.

In all timing tables, the T_{HCLK} is the HCLK clock period.

Figure 68. NAND controller waveforms for read access

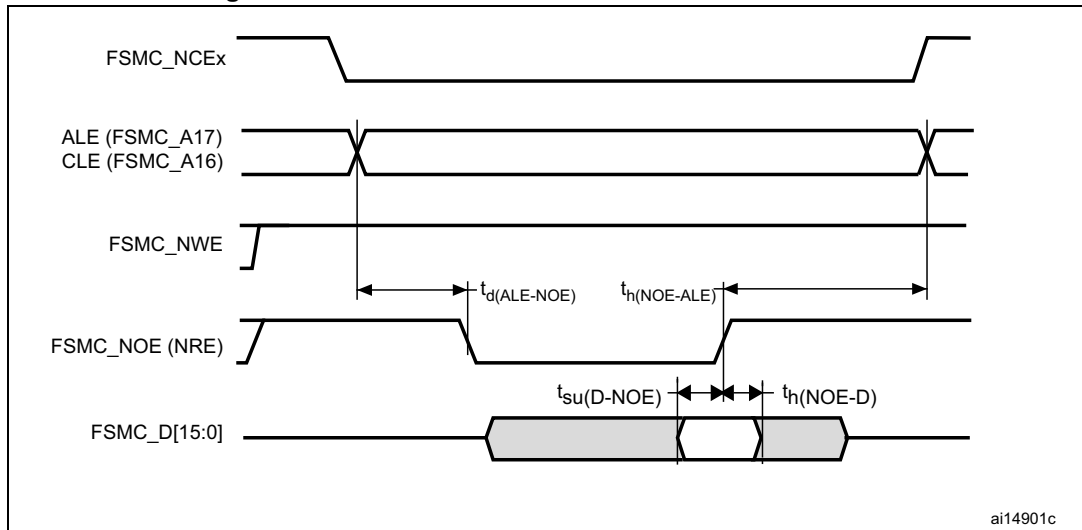


Figure 69. NAND controller waveforms for write access

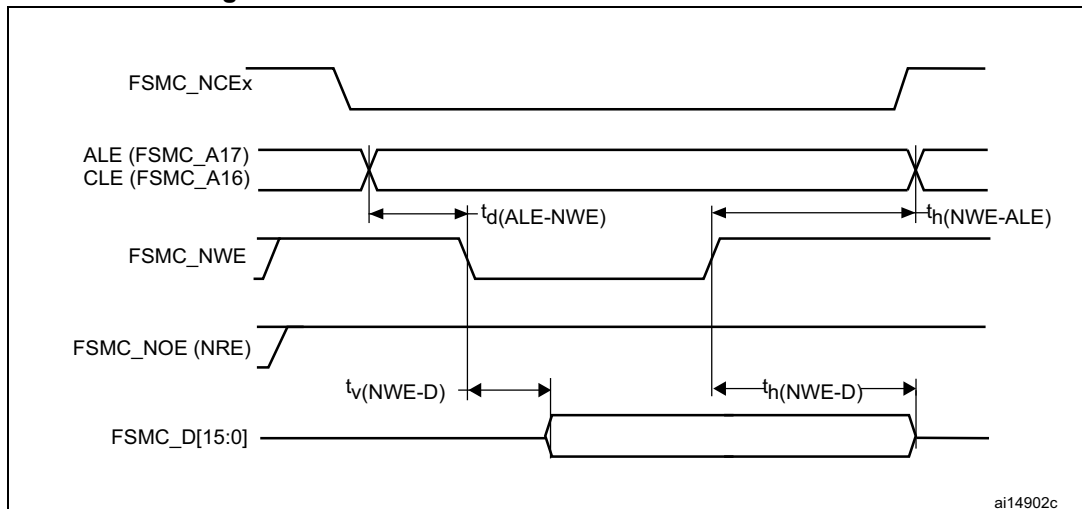


Figure 70. NAND controller waveforms for common memory read access

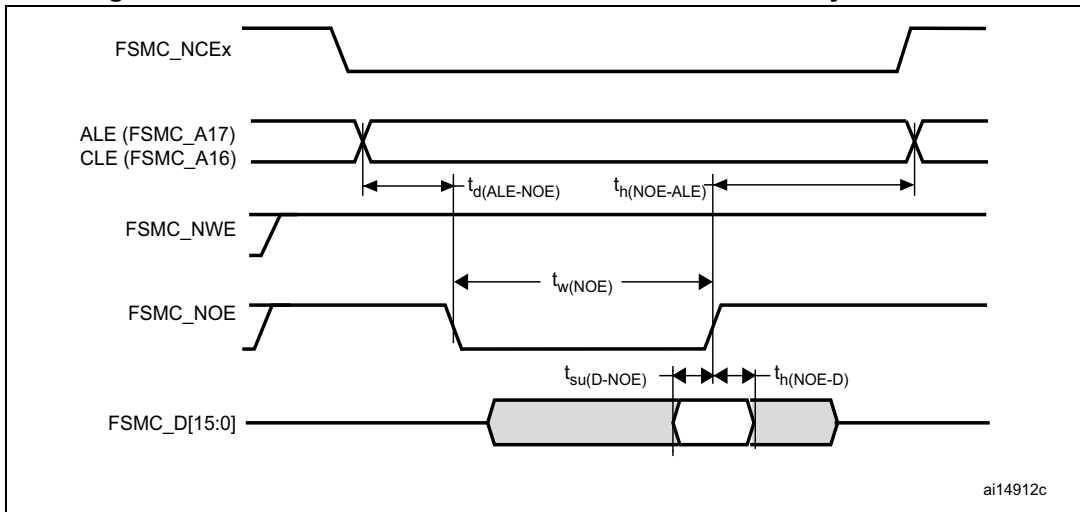


Figure 71. NAND controller waveforms for common memory write access

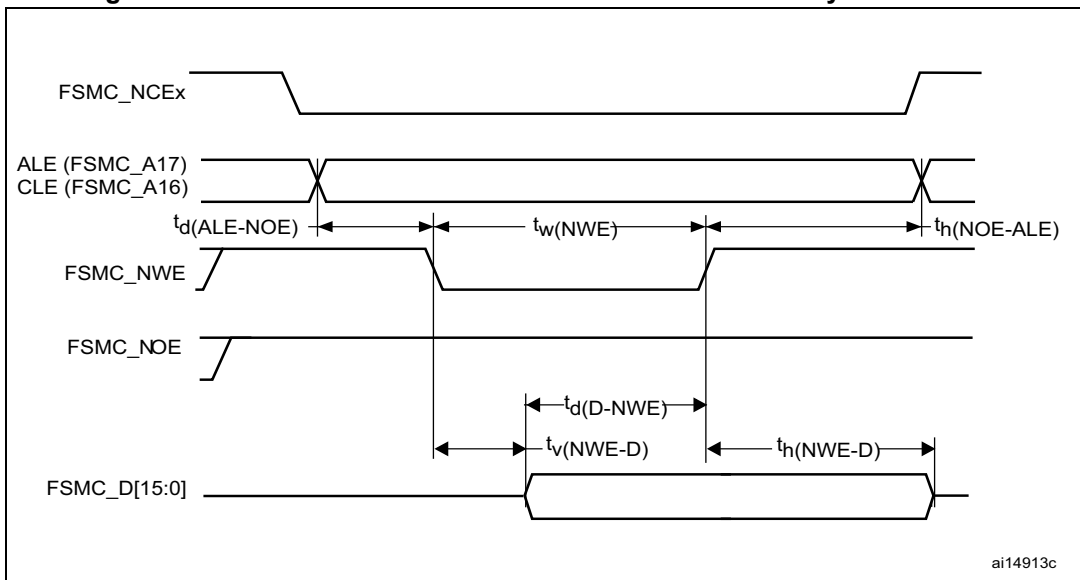


Table 85. Switching characteristics for NAND Flash read cycles⁽¹⁾

| Symbol | Parameter | Min | Max | Unit |
|------------------|--|-------------------|-----------------|------|
| $t_{w(NOE)}$ | FSMC_NOE low width | $4T_{HCLK} - 0.5$ | $4T_{HCLK} + 3$ | ns |
| $t_{su(D-NOE)}$ | FSMC_D[15:0] valid data before FSMC_NOE high | 10 | - | ns |
| $t_{h(NOE-D)}$ | FSMC_D[15:0] valid data after FSMC_NOE high | 0 | - | ns |
| $t_{d(ALE-NOE)}$ | FSMC_ALE valid before FSMC_NOE low | - | $3T_{HCLK}$ | ns |
| $t_{h(NOE-ALE)}$ | FSMC_NWE high to FSMC_ALE invalid | $3T_{HCLK} - 2$ | - | ns |

1. $C_L = 30$ pF.

Table 86. Switching characteristics for NAND Flash write cycles⁽¹⁾

| Symbol | Parameter | Min | Max | Unit |
|------------------|---|---------------|---------------|------|
| $t_{w(NWE)}$ | FSMC_NWE low width | $4T_{HCLK}-1$ | $4T_{HCLK}+3$ | ns |
| $t_{v(NWE-D)}$ | FSMC_NWE low to FSMC_D[15-0] valid | - | 0 | ns |
| $t_{h(NWE-D)}$ | FSMC_NWE high to FSMC_D[15-0] invalid | $3T_{HCLK}-2$ | - | ns |
| $t_{d(D-NWE)}$ | FSMC_D[15-0] valid before FSMC_NWE high | $5T_{HCLK}-3$ | - | ns |
| $t_{d(ALE-NWE)}$ | FSMC_ALE valid before FSMC_NWE low | - | $3T_{HCLK}$ | ns |
| $t_{h(NWE-ALE)}$ | FSMC_NWE high to FSMC_ALE invalid | $3T_{HCLK}-2$ | - | ns |

1. $C_L = 30$ pF.

5.3.27 Camera interface (DCMI) timing specifications

Unless otherwise specified, the parameters given in [Table 87](#) for DCMI are derived from tests performed under the ambient temperature, f_{HCLK} frequency and V_{DD} supply voltage summarized in [Table 13](#), with the following configuration:

- PCK polarity: falling
- VSYNC and HSYNC polarity: high
- Data format: 14 bits

Figure 72. DCMI timing diagram

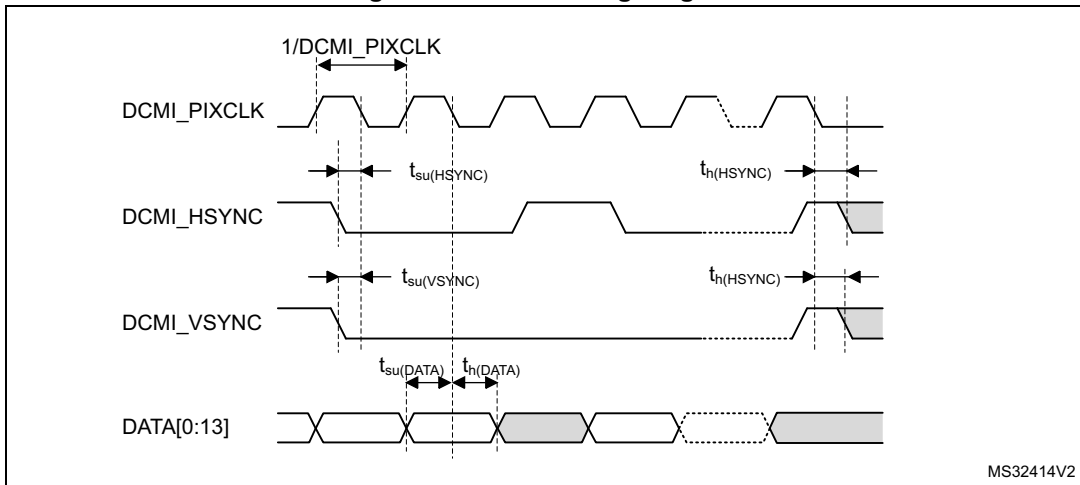


Table 87. DCMI characteristics⁽¹⁾

| Symbol | Parameter | Min | Max | Unit |
|-------------|---|-----|-----|------|
| | Frequency ratio DCMI_PIXCLK/ f_{HCLK} | - | 0.4 | |
| DCMI_PIXCLK | Pixel clock input | - | 54 | MHz |
| D_{pixel} | Pixel clock input duty cycle | 30 | 70 | % |

Table 87. DCMI characteristics⁽¹⁾ (continued)

| Symbol | Parameter | Min | Max | Unit |
|--------------------------------------|------------------------------|-----|-----|------|
| $t_{su(DATA)}$ | Data input setup time | 2.5 | - | ns |
| $t_{h(DATA)}$ | Data hold time | 1 | - | |
| $t_{su(HSYNC)}$, $t_{su(VSYNC)}$ | HSYNC/VSYNC input setup time | 2 | - | |
| $t_{h(HSYNC)}$, $t_{h(VSYNC)}$ | HSYNC/VSYNC input hold time | 0.5 | - | |

1. Guaranteed by characterization.

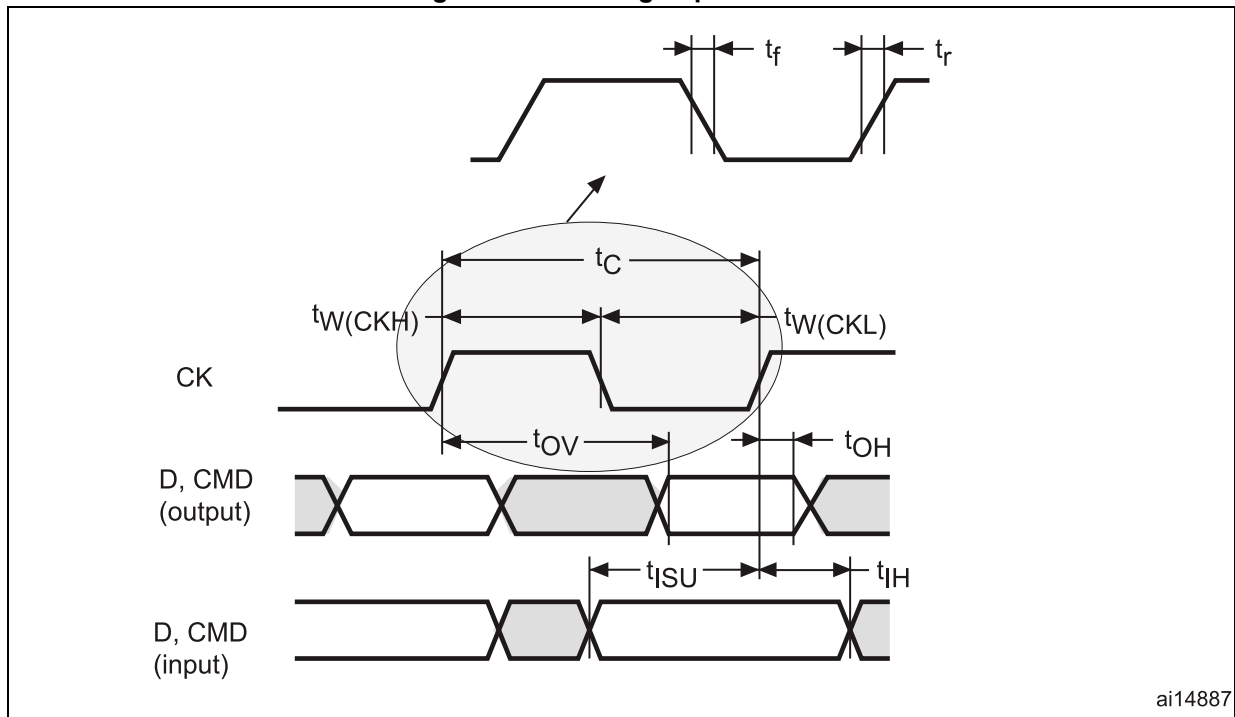
5.3.28 SD/SDIO MMC card host interface (SDIO) characteristics

Unless otherwise specified, the parameters given in [Table 88](#) are derived from tests performed under ambient temperature, f_{PCLKX} frequency and V_{DD} supply voltage conditions summarized in [Table 14](#) with the following configuration:

- Output speed is set to $OSPEEDRy[1:0] = 10$
- Capacitive load $C = 30$ pF
- Measurement points are done at CMOS levels: $0.5V_{DD}$

Refer to [Section 5.3.16: I/O port characteristics](#) for more details on the input/output characteristics.

Figure 73. SDIO high-speed mode



ai14887

Figure 74. SD default mode

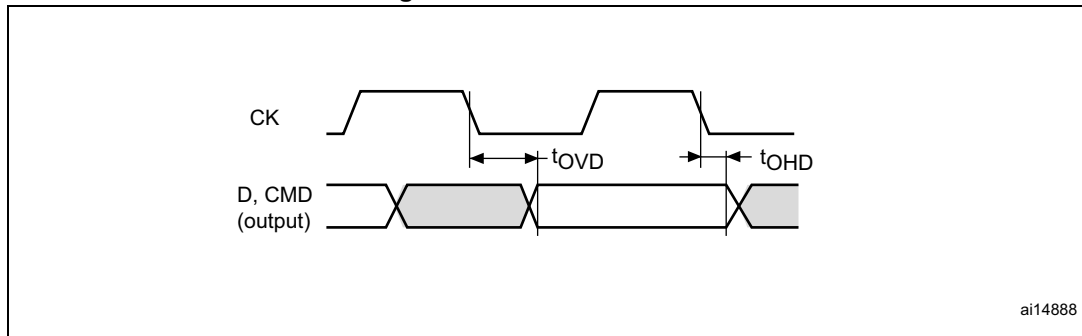


Table 88. Dynamic characteristics: SD / MMC characteristics⁽¹⁾

| Symbol | Parameter | Conditions | Min | Typ | Max | Unit |
|---|--|--------------------------|-----|-----|-----|------|
| f _{PP} | Clock frequency in data transfer mode | | 0 | | 48 | MHz |
| | SDIO_CK/f _{PCLK2} frequency ratio | | - | - | 8/3 | - |
| t _{W(CKL)} | Clock low time | f _{PP} = 48 MHz | 8.5 | 9 | - | ns |
| t _{W(CKH)} | Clock high time | f _{PP} = 48 MHz | 8.3 | 10 | - | |
| CMD, D inputs (referenced to CK) in MMC and SD HS mode | | | | | | |
| t _{ISU} | Input setup time HS | f _{PP} = 48 MHz | 3 | - | - | ns |
| t _{IH} | Input hold time HS | f _{PP} = 48 MHz | 0 | - | - | |
| CMD, D outputs (referenced to CK) in MMC and SD HS mode | | | | | | |
| t _{OV} | Output valid time HS | f _{PP} = 48 MHz | - | 4.5 | 6 | ns |
| t _{OH} | Output hold time HS | f _{PP} = 48 MHz | 1 | - | - | |
| CMD, D inputs (referenced to CK) in SD default mode | | | | | | |
| t _{ISUD} | Input setup time SD | f _{PP} = 24 MHz | 1.5 | - | - | ns |
| t _{IHD} | Input hold time SD | f _{PP} = 24 MHz | 0.5 | - | - | |
| CMD, D outputs (referenced to CK) in SD default mode | | | | | | |
| t _{OVD} | Output valid default time SD | f _{PP} = 24 MHz | - | 4.5 | 7 | ns |
| t _{OHD} | Output hold default time SD | f _{PP} = 24 MHz | 0.5 | - | - | |

1. Guaranteed by characterization.

5.3.29 RTC characteristics

Table 89. RTC characteristics

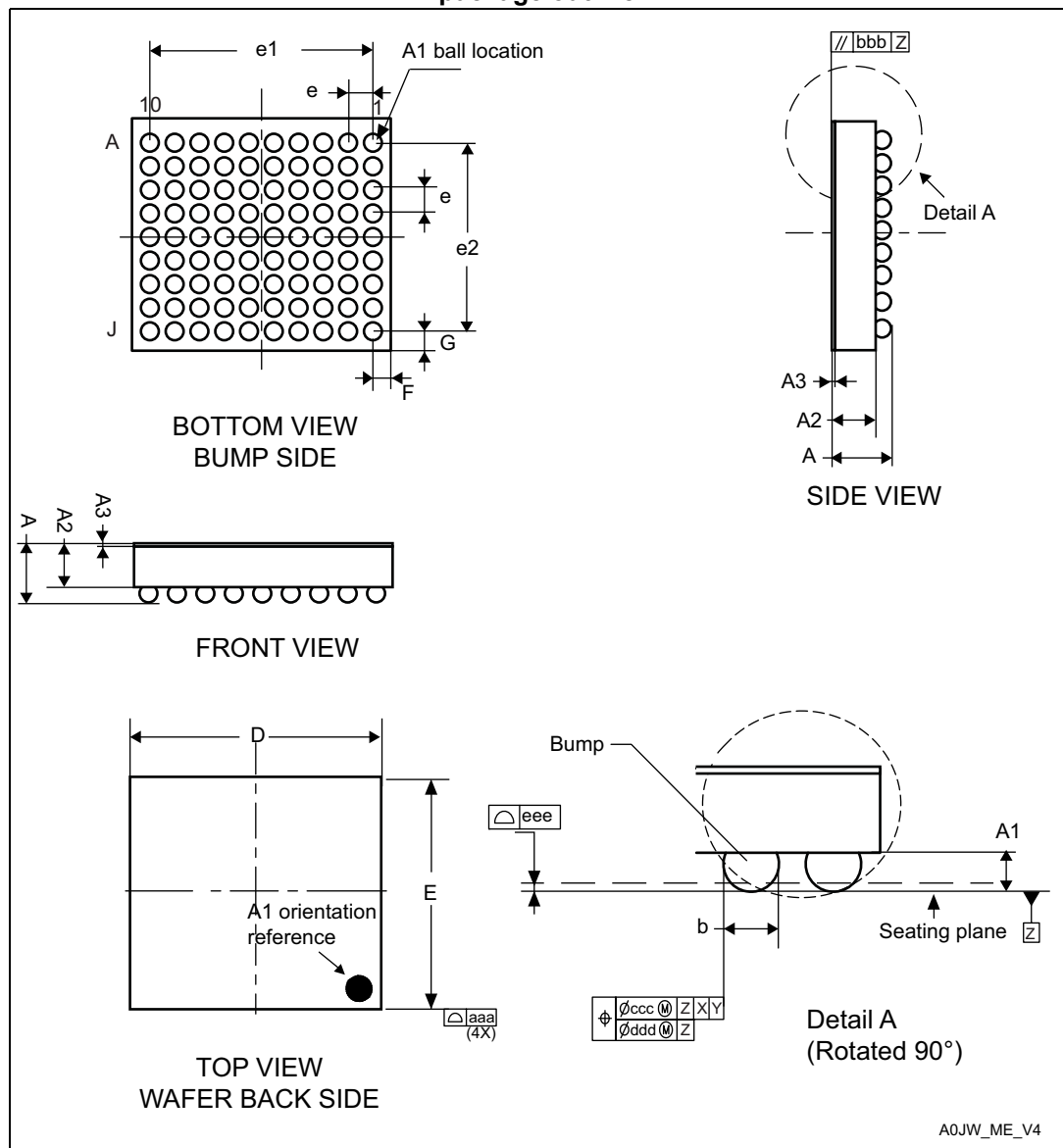
| Symbol | Parameter | Conditions | Min | Max |
|--------|--|--|-----|-----|
| - | f _{PCLK1} /RTCCLK frequency ratio | Any read/write operation from/to an RTC register | 4 | - |

6 Package information

In order to meet environmental requirements, ST offers these devices in different grades of ECOPACK packages, depending on their level of environmental compliance. ECOPACK specifications, grade definitions and product status are available at: www.st.com. ECOPACK is an ST trademark.

6.1 WLCSP90 package information

Figure 75. WLCSP90 - 4.223 x 3.969 mm, 0.400 mm pitch wafer level chip scale package outline



1. Drawing is not to scale.

Table 90. WLCSP90 - 4.223 x 3.969 mm, 0.400 mm pitch wafer level chip scale package mechanical data

| Symbol | millimeters | | | inches ⁽¹⁾ | | |
|-------------------|-------------|--------|-------|-----------------------|--------|--------|
| | Min | Typ | Max | Min | Typ | Max |
| A | 0.540 | 0.570 | 0.600 | 0.0213 | 0.0224 | 0.0236 |
| A1 | - | 0.190 | - | - | 0.0075 | - |
| A2 | - | 0.380 | - | - | 0.0150 | - |
| A3 ⁽²⁾ | - | 0.025 | - | - | 0.0010 | - |
| b ⁽³⁾ | 0.240 | 0.270 | 0.300 | 0.0094 | 0.0106 | 0.0118 |
| D | 4.188 | 4.223 | 4.258 | 0.1649 | 0.1663 | 0.1676 |
| E | 3.934 | 3.969 | 4.004 | 0.1549 | 0.1563 | 0.1576 |
| e | - | 0.400 | - | - | 0.0157 | - |
| e1 | - | 3.600 | - | - | 0.1417 | - |
| e2 | - | 3.200 | - | - | 0.1260 | - |
| F | - | 0.3115 | - | - | 0.0123 | - |
| G | - | 0.3845 | - | - | 0.0151 | - |
| aaa | - | 0.100 | - | - | 0.0039 | - |
| bbb | - | 0.100 | - | - | 0.0039 | - |
| ccc | - | 0.100 | - | - | 0.0039 | - |
| ddd | - | 0.050 | - | - | 0.0020 | - |
| eee | - | 0.050 | - | - | 0.0020 | - |

1. Values in inches are converted from mm and rounded to 4 decimal digits.
2. Back side coating.
3. Dimension is measured at the maximum bump diameter parallel to primary datum Z.

Figure 76. WLCSP90 - 4.223 x 3.969 mm, 0.400 mm pitch wafer level chip scale recommended footprint



Table 91. WLCSP90 recommended PCB design rules

| Dimension | Recommended values |
|----------------|---|
| Pitch | 0.4 mm |
| Dpad | 260 µm max. (circular) 220 µm recommended |
| Dsm | 300 µm min. (for 260 µm diameter pad) |
| PCB pad design | Non-solder mask defined via underbump allowed |

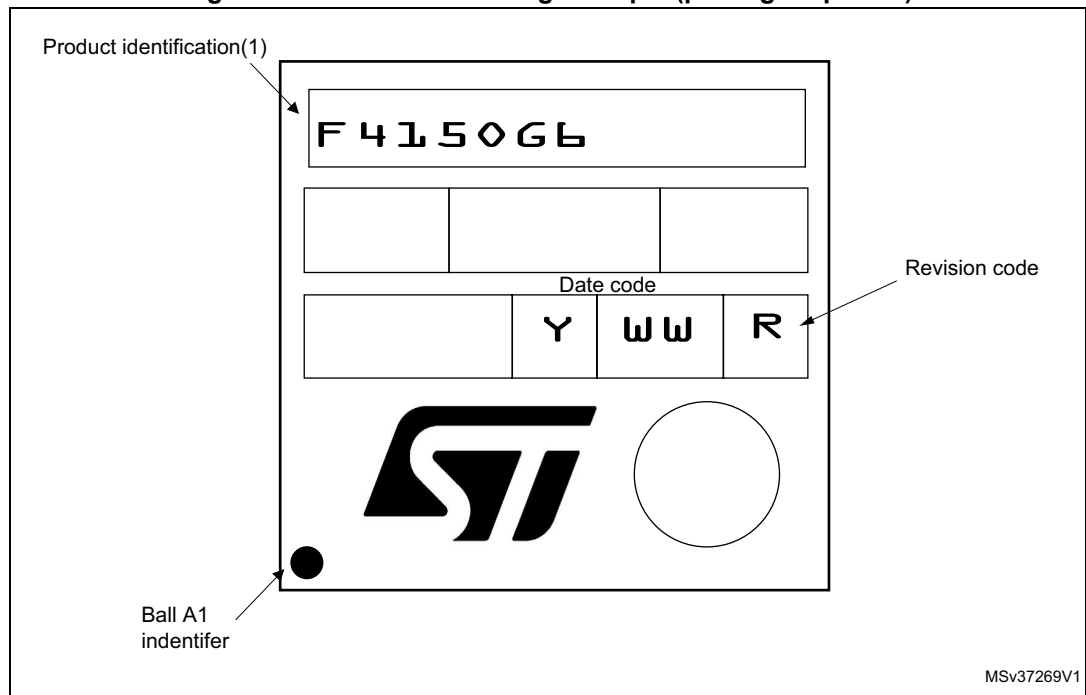
Device marking for WLCSP90

The following figure gives an example of topside marking and ball A1 position identifier location.

The printed markings may differ depending on the supply chain.

Other optional marking or inset/upset marks, which depend on supply chain operations, are not indicated below.

Figure 77. WLCSP90 marking example (package top view)



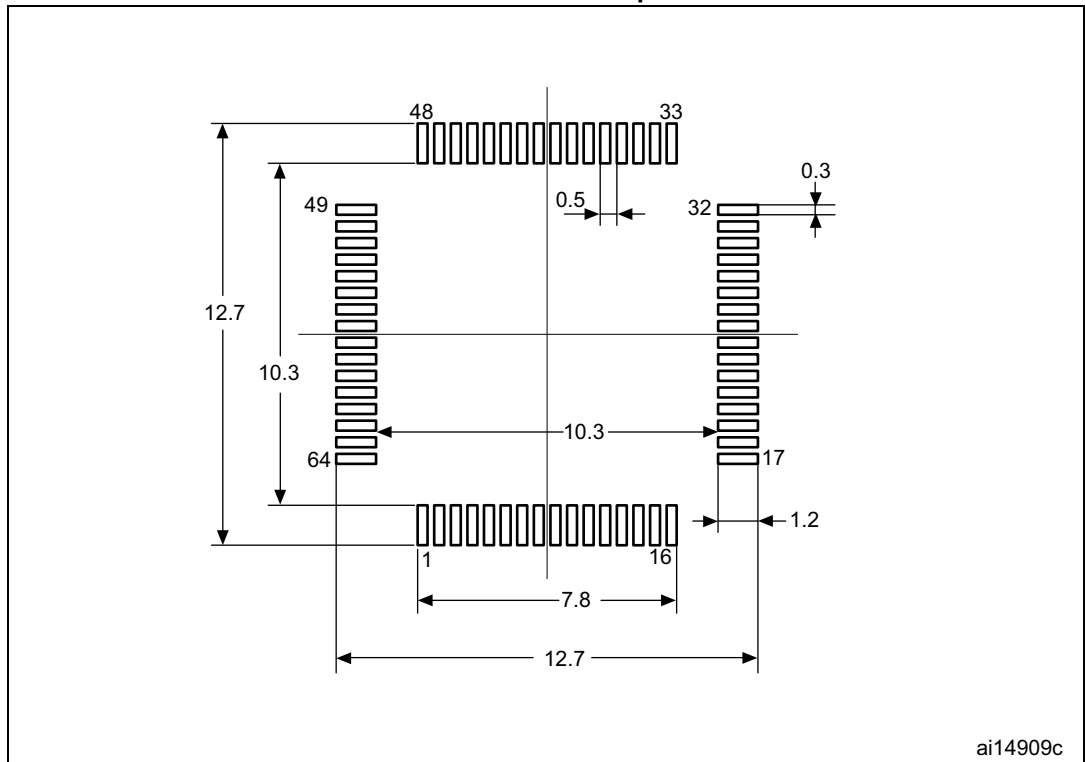
1. Parts marked as “ES”, “E” or accompanied by an Engineering Sample notification letter, are not yet qualified and therefore not yet ready to be used in production and any consequences deriving from such usage will not be at ST charge. In no event, ST will be liable for any customer usage of these engineering samples in production. ST Quality has to be contacted prior to any decision to use these Engineering Samples to run qualification activity.

Table 92. LQFP64 – 64-pin 10 x 10 mm low-profile quad flat package mechanical data (continued)

| Symbol | millimeters | | | inches ⁽¹⁾ | | |
|--------|-------------|-------|-------|-----------------------|--------|--------|
| | Min | Typ | Max | Min | Typ | Max |
| E3 | - | 7.500 | - | - | 0.2953 | - |
| e | - | 0.500 | - | - | 0.0197 | - |
| K | 0° | 3.5° | 7° | 0° | 3.5° | 7° |
| L | 0.450 | 0.600 | 0.750 | 0.0177 | 0.0236 | 0.0295 |
| L1 | - | 1.000 | - | - | 0.0394 | - |
| ccc | - | - | 0.080 | - | - | 0.0031 |

1. Values in inches are converted from mm and rounded to 4 decimal digits.

Figure 79. LQFP64 – 64-pin, 10 x 10 mm low-profile quad flat package recommended footprint



ai14909c

1. Dimensions are in millimeters.

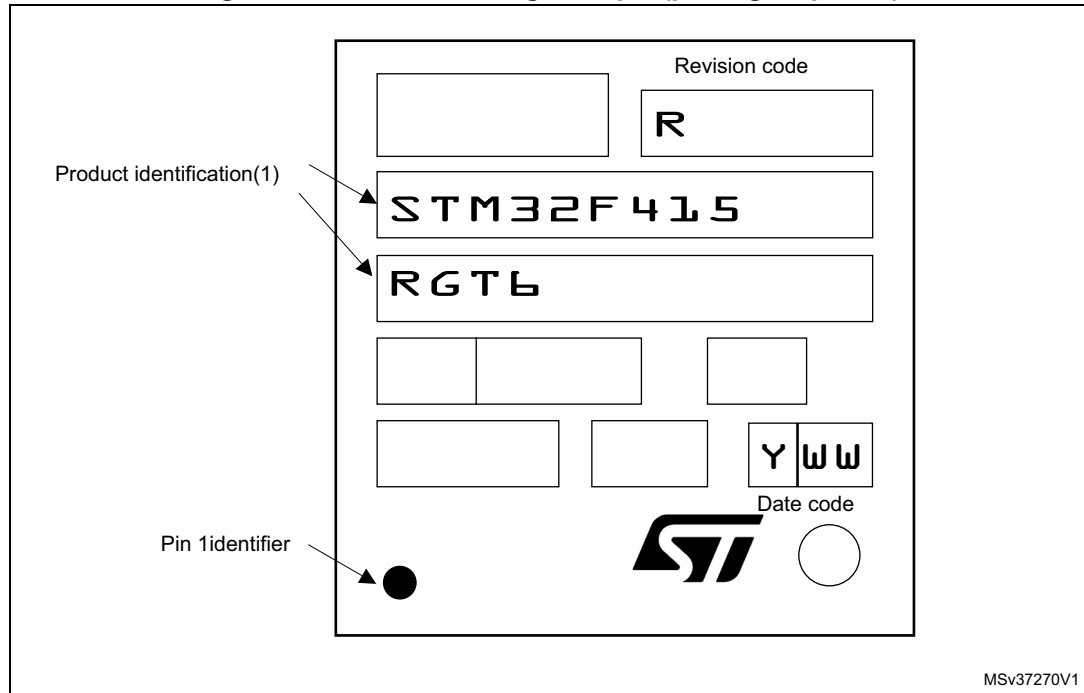
Device marking for LQFP64

The following figure gives an example of topside marking and pin 1 position identifier location.

The printed markings may differ depending on the supply chain.

Other optional marking or inset/upset marks, which depend on supply chain operations, are not indicated below.

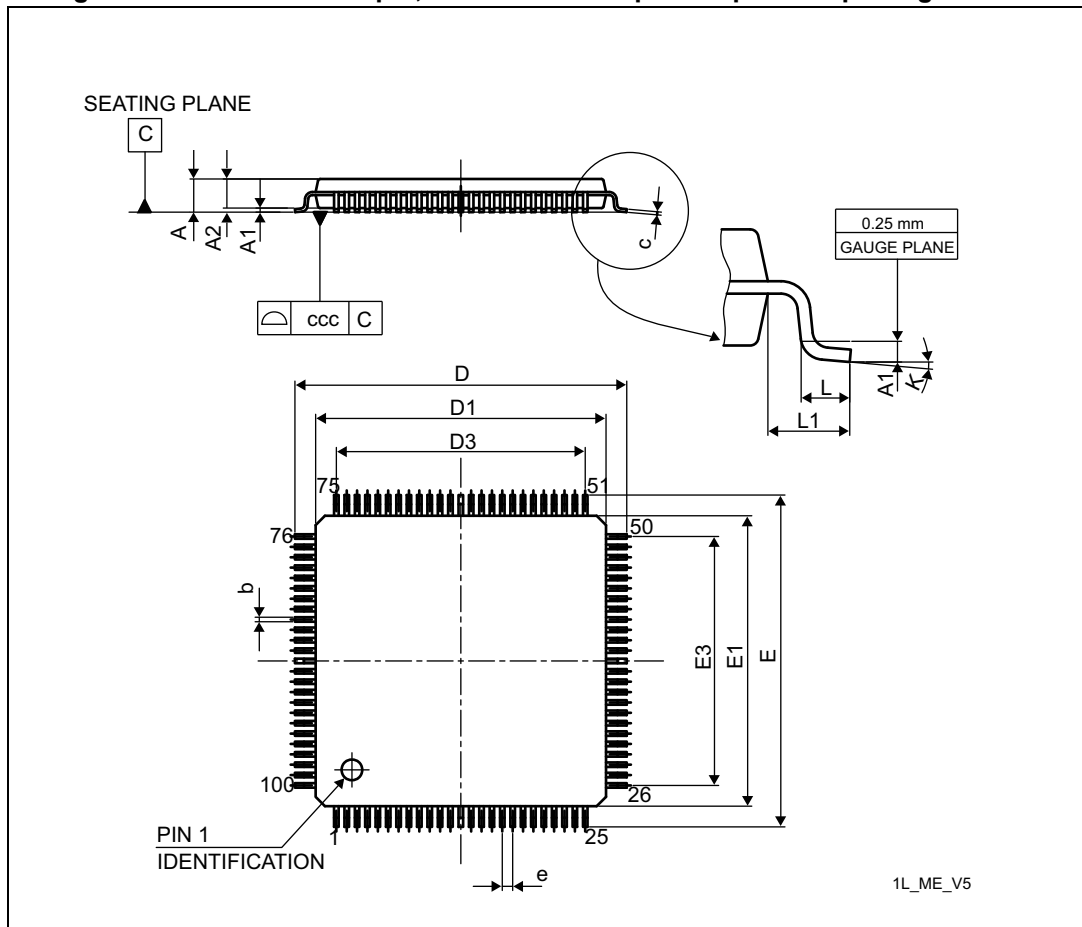
Figure 80. LPQF64 marking example (package top view)



1. Parts marked as "ES", "E" or accompanied by an Engineering Sample notification letter, are not yet qualified and therefore not yet ready to be used in production and any consequences deriving from such usage will not be at ST charge. In no event, ST will be liable for any customer usage of these engineering samples in production. ST Quality has to be contacted prior to any decision to use these Engineering Samples to run qualification activity.

6.3 LQFP100 package information

Figure 81. LQFP100 - 100-pin, 14 x 14 mm low-profile quad flat package outline



1. Drawing is not to scale.

Table 93. LQFP100 – 100-pin, 14 x 14 mm low-profile quad flat package mechanical data⁽¹⁾

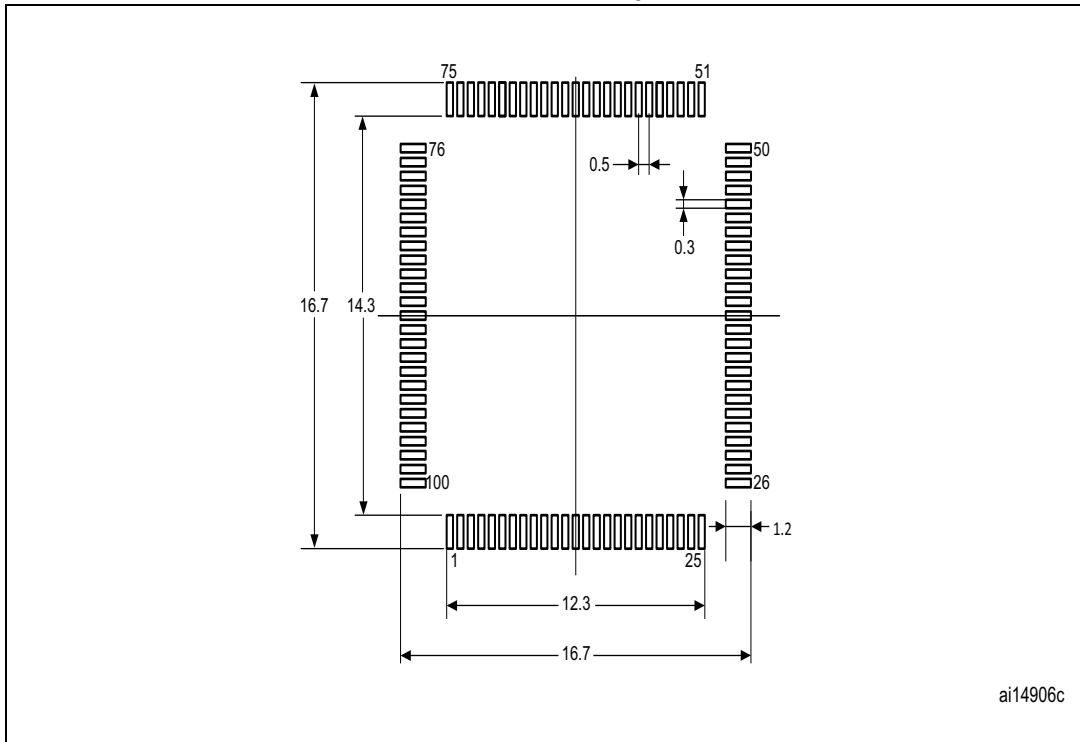
| Symbol | millimeters | | | inches | | |
|--------|-------------|--------|--------|--------|--------|--------|
| | Min | Typ | Max | Min | Typ | Max |
| A | - | - | 1.600 | - | - | 0.0630 |
| A1 | 0.050 | - | 0.150 | 0.0020 | - | 0.0059 |
| A2 | 1.350 | 1.400 | 1.450 | 0.0531 | 0.0551 | 0.0571 |
| b | 0.170 | 0.220 | 0.270 | 0.0067 | 0.0087 | 0.0106 |
| c | 0.090 | - | 0.200 | 0.0035 | - | 0.0079 |
| D | 15.800 | 16.000 | 16.200 | 0.6220 | 0.6299 | 0.6378 |
| D1 | 13.800 | 14.000 | 14.200 | 0.5433 | 0.5512 | 0.5591 |
| D3 | - | 12.000 | - | - | 0.4724 | - |
| E | 15.80 | 16.000 | 16.200 | 0.6220 | 0.6299 | 0.6378 |

Table 93. LQFP100 – 100-pin, 14 x 14 mm low-profile quad flat package mechanical data⁽¹⁾ (continued)

| Symbol | millimeters | | | inches | | |
|--------|-------------|--------|--------|--------|--------|--------|
| | Min | Typ | Max | Min | Typ | Max |
| E1 | 13.800 | 14.000 | 14.200 | 0.5433 | 0.5512 | 0.5591 |
| E3 | - | 12.000 | - | - | 0.4724 | - |
| e | - | 0.500 | - | - | 0.0197 | - |
| L | 0.450 | 0.600 | 0.750 | 0.0177 | 0.0236 | 0.0295 |
| L1 | - | 1.000 | - | - | 0.0394 | - |
| k | 0° | 3.5° | 7° | 0° | 3.5° | 7° |
| ccc | - | - | 0.080 | - | - | 0.0031 |

1. Values in inches are converted from mm and rounded to 4 decimal digits.

Figure 82. LQFP100 - 100-pin, 14 x 14 mm low-profile quad flat recommended footprint



1. Dimensions are expressed in millimeters.

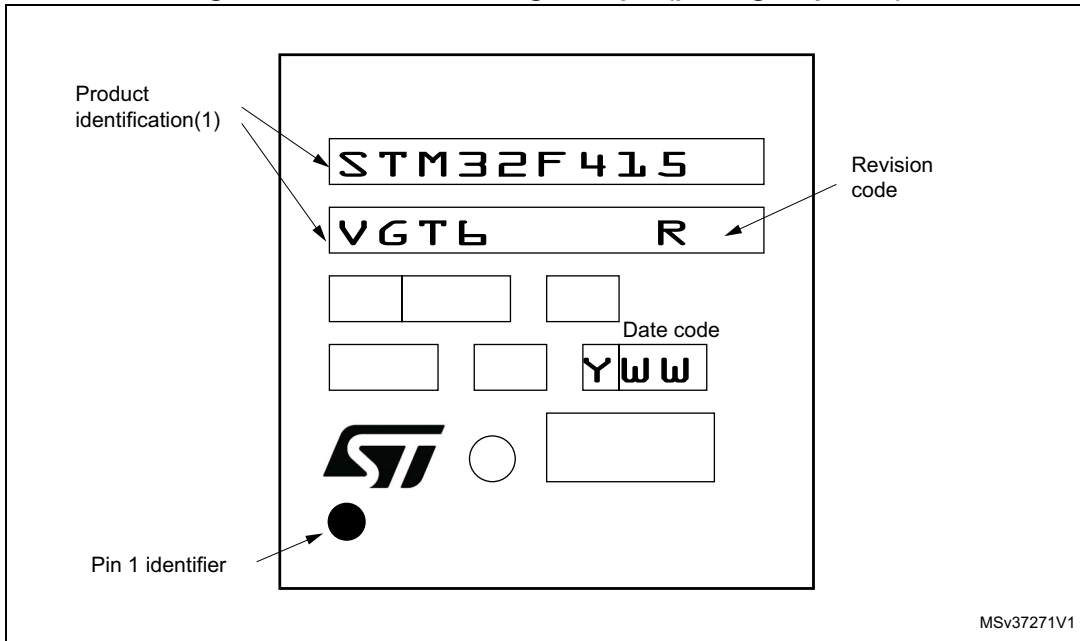
Device marking for LFP100

The following figure gives an example of topside marking and pin 1 position identifier location.

The printed markings may differ depending on the supply chain.

Other optional marking or inset/upset marks, which depend on supply chain operations, are not indicated below.

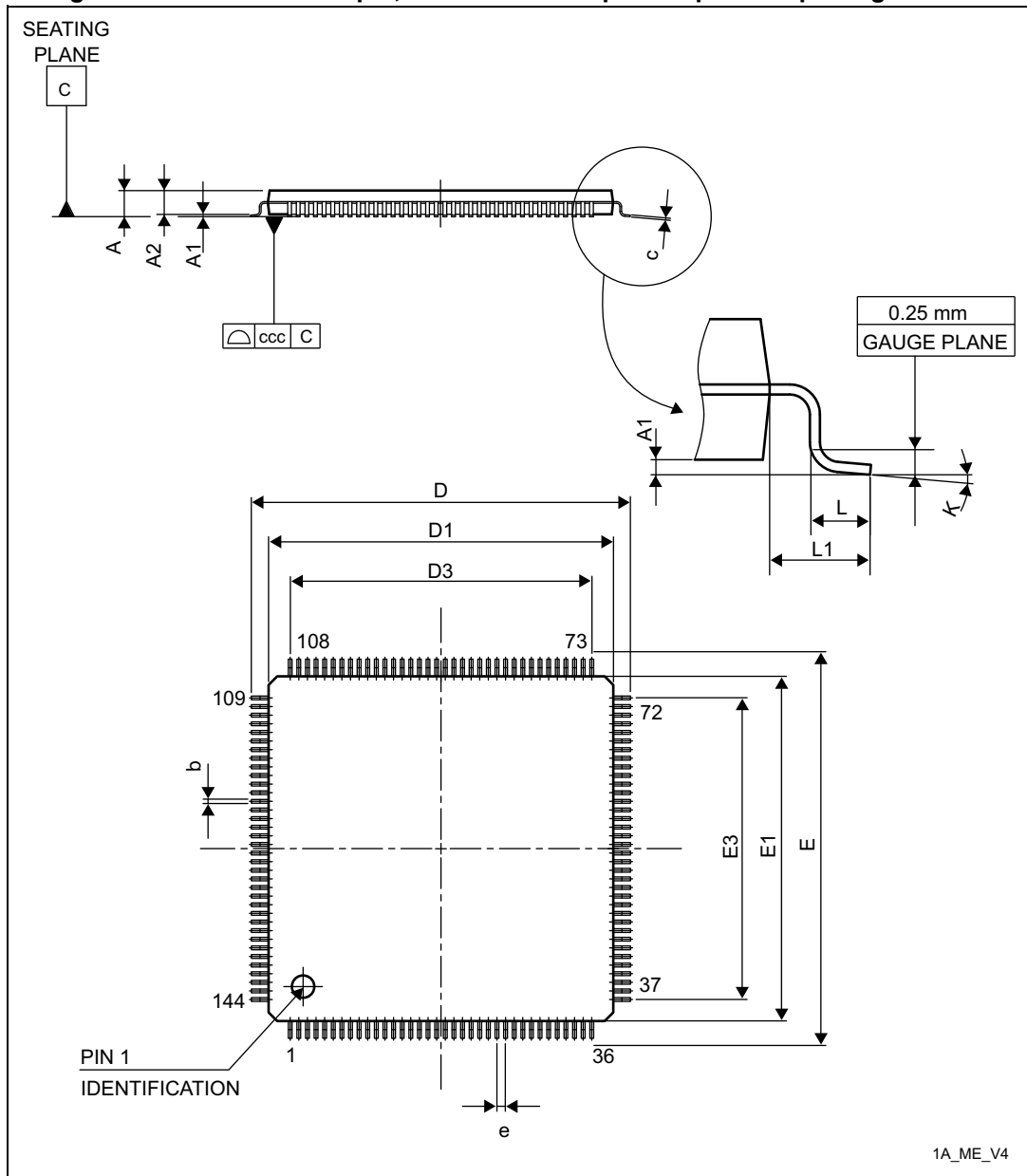
Figure 83. LQFP100 marking example (package top view)



1. Parts marked as "ES", "E" or accompanied by an Engineering Sample notification letter, are not yet qualified and therefore not yet ready to be used in production and any consequences deriving from such usage will not be at ST charge. In no event, ST will be liable for any customer usage of these engineering samples in production. ST Quality has to be contacted prior to any decision to use these Engineering Samples to run qualification activity.

6.4 LQFP144 package information

Figure 84. LQFP144 - 144-pin, 20 x 20 mm low-profile quad flat package outline



1A_ME_V4

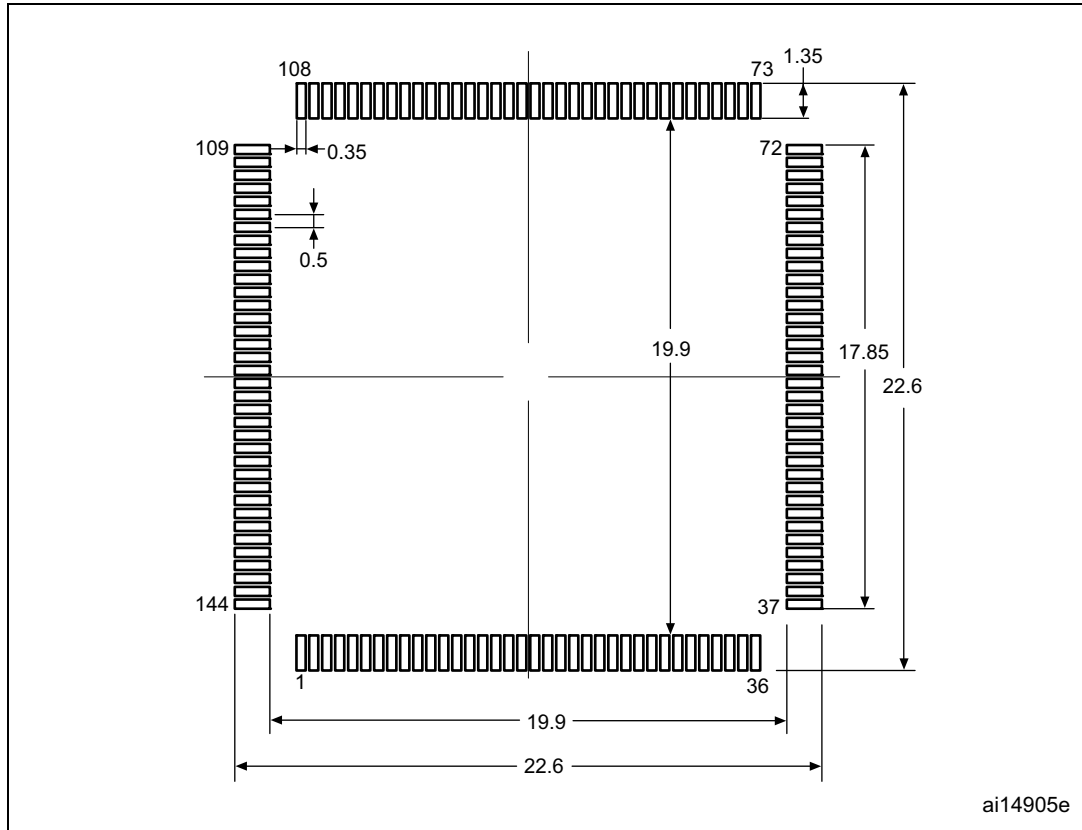
1. Drawing is not to scale.

Table 94. LQFP144 - 144-pin, 20 x 20 mm low-profile quad flat package mechanical data

| Symbol | millimeters | | | inches ⁽¹⁾ | | |
|--------|-------------|--------|--------|-----------------------|--------|--------|
| | Min | Typ | Max | Min | Typ | Max |
| A | - | - | 1.600 | - | - | 0.0630 |
| A1 | 0.050 | - | 0.150 | 0.0020 | - | 0.0059 |
| A2 | 1.350 | 1.400 | 1.450 | 0.0531 | 0.0551 | 0.0571 |
| b | 0.170 | 0.220 | 0.270 | 0.0067 | 0.0087 | 0.0106 |
| c | 0.090 | - | 0.200 | 0.0035 | - | 0.0079 |
| D | 21.800 | 22.000 | 22.200 | 0.8583 | 0.8661 | 0.874 |
| D1 | 19.800 | 20.000 | 20.200 | 0.7795 | 0.7874 | 0.7953 |
| D3 | - | 17.500 | - | - | 0.689 | - |
| E | 21.800 | 22.000 | 22.200 | 0.8583 | 0.8661 | 0.8740 |
| E1 | 19.800 | 20.000 | 20.200 | 0.7795 | 0.7874 | 0.7953 |
| E3 | - | 17.500 | - | - | 0.6890 | - |
| e | - | 0.500 | - | - | 0.0197 | - |
| L | 0.450 | 0.600 | 0.750 | 0.0177 | 0.0236 | 0.0295 |
| L1 | - | 1.000 | - | - | 0.0394 | - |
| k | 0° | 3.5° | 7° | 0° | 3.5° | 7° |
| ccc | - | - | 0.080 | - | - | 0.0031 |

1. Values in inches are converted from mm and rounded to 4 decimal digits.

Figure 85. LQFP144 - 144-pin, 20 x 20 mm low-profile quad flat package recommended footprint



1. Dimensions are in millimeters.

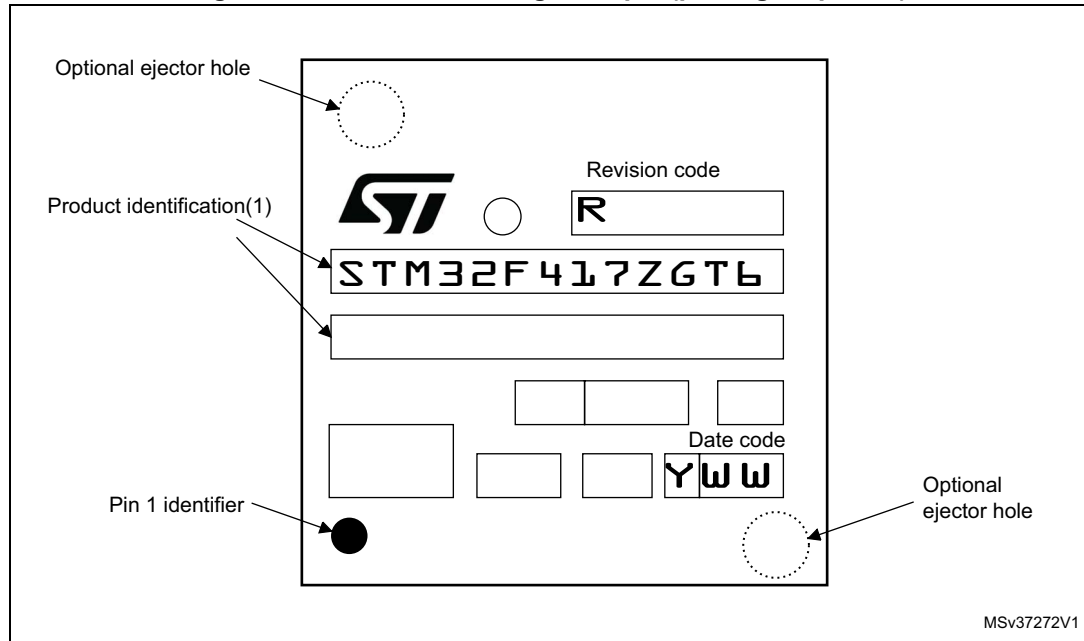
Device marking for LQFP144

The following figure gives an example of topside marking and pin 1 position identifier location.

The printed markings may differ depending on the supply chain.

Other optional marking or inset/upset marks, which depend on supply chain operations, are not indicated below.

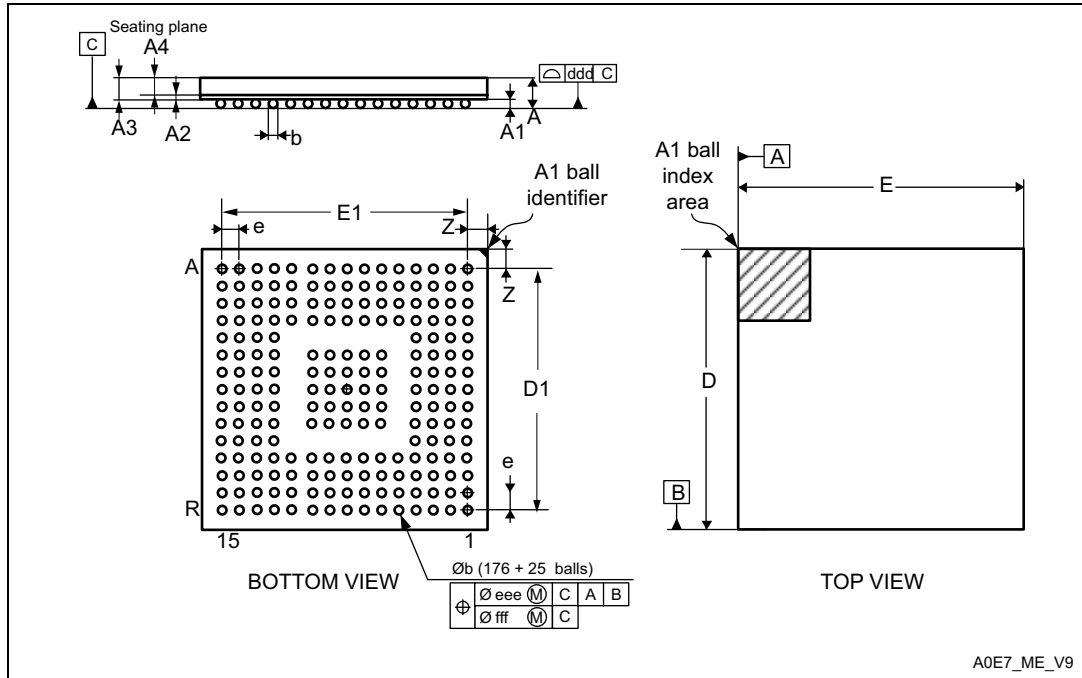
Figure 86. LQFP144 marking example (package top view)



1. Parts marked as “ES”, “E” or accompanied by an Engineering Sample notification letter, are not yet qualified and therefore not yet ready to be used in production and any consequences deriving from such usage will not be at ST charge. In no event, ST will be liable for any customer usage of these engineering samples in production. ST Quality has to be contacted prior to any decision to use these Engineering Samples to run qualification activity.

6.5 UFBGA176+25 package information

Figure 87. UFBGA176+25 ball, 10 x 10 mm, 0.65 mm pitch, ultra fine pitch ball grid array package outline



1. Drawing is not to scale.

Table 95. UFBGA176+25 ball, 10 × 10 × 0.65 mm pitch, ultra thin fine pitch ball grid array mechanical data

| Symbol | millimeters | | | inches ⁽¹⁾ | | |
|--------|-------------|--------|--------|-----------------------|--------|--------|
| | Min | Typ | Max | Min | Typ | Max |
| A | - | - | 0.600 | - | - | 0.0236 |
| A1 | - | - | 0.110 | - | - | 0.0043 |
| A2 | - | 0.130 | - | - | 0.0051 | - |
| A3 | - | 0.450 | - | - | 0.0177 | - |
| A4 | - | 0.320 | - | - | 0.0126 | - |
| b | 0.240 | 0.290 | 0.340 | 0.0094 | 0.0114 | 0.0134 |
| D | 9.850 | 10.000 | 10.150 | 0.3878 | 0.3937 | 0.3996 |
| D1 | - | 9.100 | - | - | 0.3583 | - |
| E | 9.850 | 10.000 | 10.150 | 0.3878 | 0.3937 | 0.3996 |
| E1 | - | 9.100 | - | - | 0.3583 | - |
| e | - | 0.650 | - | - | 0.0256 | - |
| Z | - | 0.450 | - | - | 0.0177 | - |
| ddd | - | - | 0.080 | - | - | 0.0031 |

Table 95. UFBGA176+25 ball, 10 × 10 × 0.65 mm pitch, ultra thin fine pitch ball grid array mechanical data (continued)

| Symbol | millimeters | | | inches ⁽¹⁾ | | |
|--------|-------------|-----|-------|-----------------------|-----|--------|
| | Min | Typ | Max | Min | Typ | Max |
| eee | - | - | 0.150 | - | - | 0.0059 |
| fff | - | - | 0.050 | - | - | 0.0020 |

1. Values in inches are converted from mm and rounded to 4 decimal digits.

Figure 88. UFBGA176+25 - 201-ball, 10 x 10 mm, 0.65 mm pitch, ultra fine pitch ball grid array recommended footprint

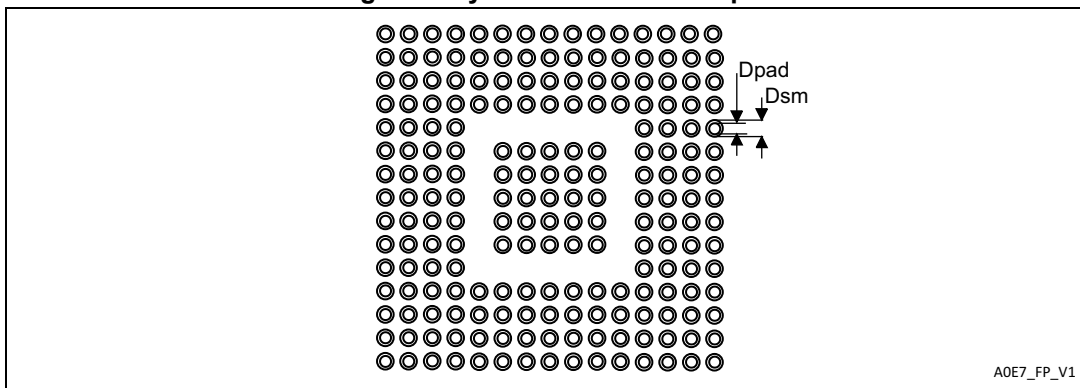


Table 96. UFBGA176+2 recommended PCB design rules (0.65 mm pitch BGA)

| Dimension | Recommended values |
|-----------|--|
| Pitch | 0.65 |
| Dpad | 0.300 mm |
| Dsm | 0.400 mm typ. (depends on the soldermask registration tolerance) |

Note: Non solder mask defined (NSMD) pads are recommended.
 4 to 6 mils solder paste screen printing process.
 Stencil opening is 0.300 mm.
 Stencil thickness is between 0.100 mm and 0.125 mm.
 Pad trace width is 0.100 mm.

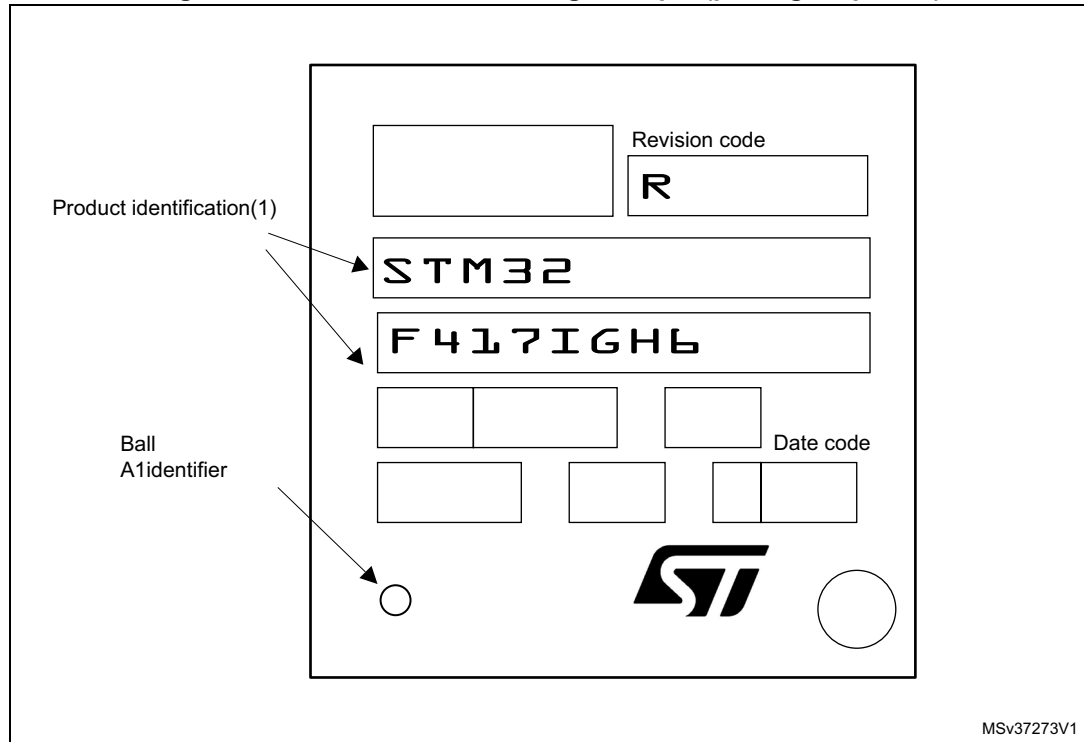
Device marking for UFBGA176+25

The following figure gives an example of topside marking and ball A 1 position identifier location.

The printed markings may differ depending on the supply chain.

Other optional marking or inset/upset marks, which depend on supply chain operations, are not indicated below.

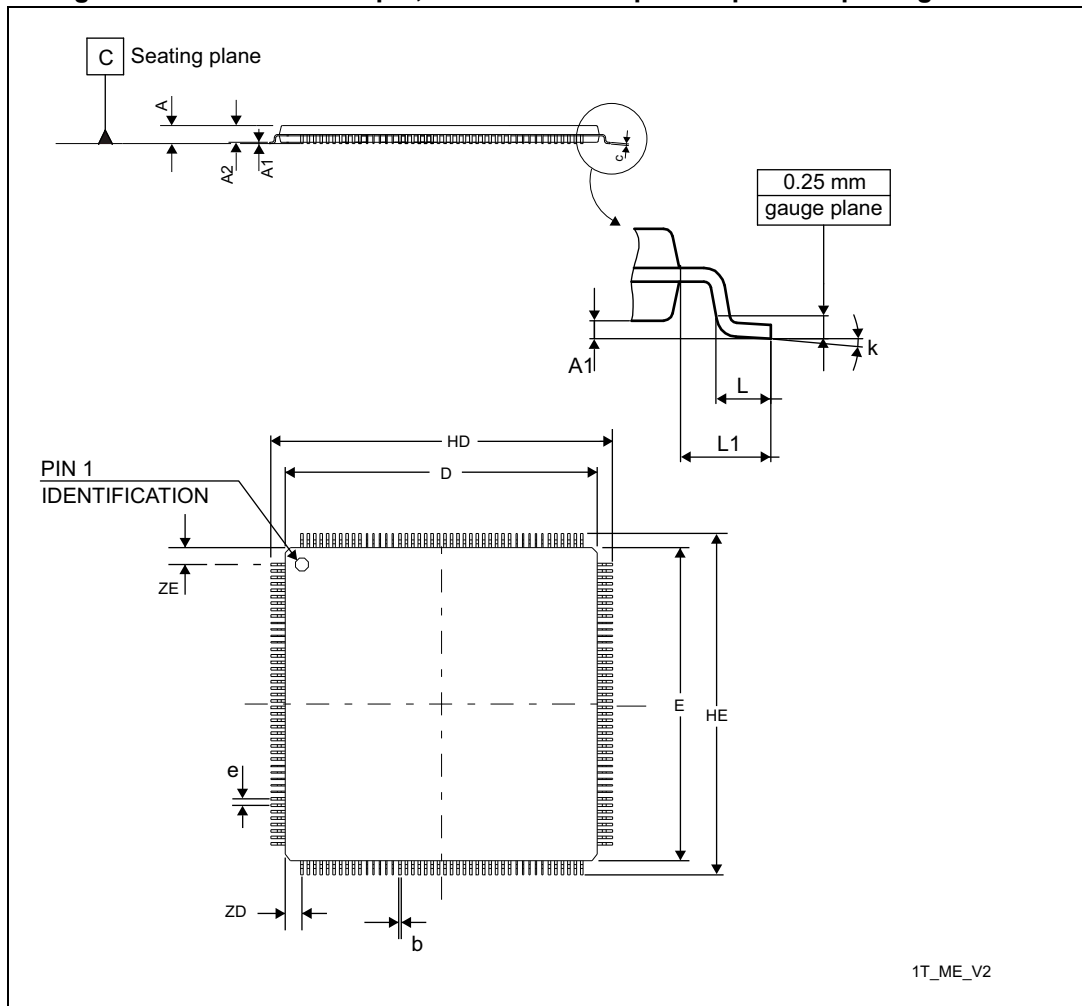
Figure 89. UFBGA176+25 marking example (package top view)



1. Parts marked as “ES”, “E” or accompanied by an Engineering Sample notification letter, are not yet qualified and therefore not yet ready to be used in production and any consequences deriving from such usage will not be at ST charge. In no event, ST will be liable for any customer usage of these engineering samples in production. ST Quality has to be contacted prior to any decision to use these Engineering Samples to run qualification activity.

6.6 LQFP176 package information

Figure 90. LQFP176 - 176-pin, 24 x 24 mm low profile quad flat package outline



1. Drawing is not to scale.

Table 97. LQFP176 - 176-pin, 24 x 24 mm low profile quad flat package mechanical data

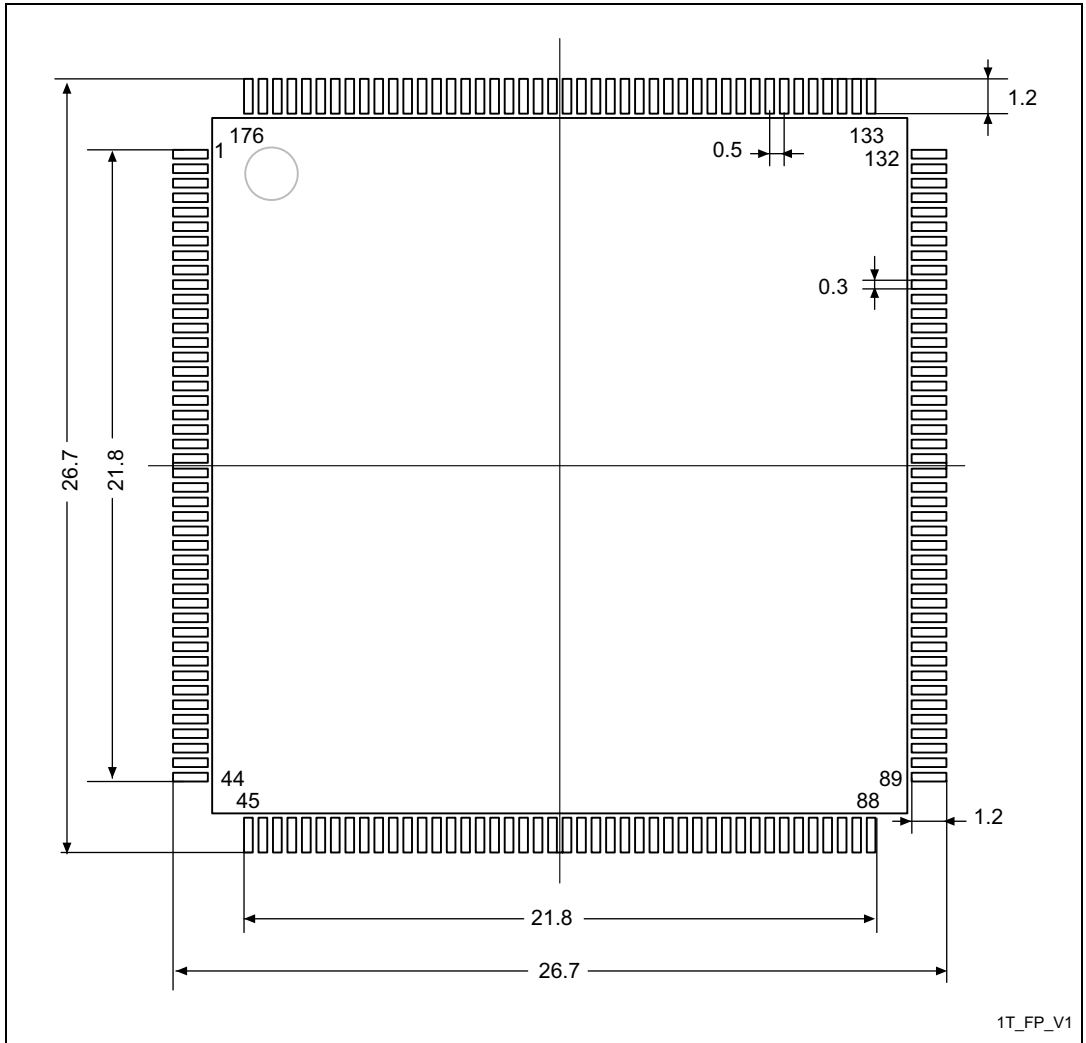
| Symbol | millimeters | | | inches ⁽¹⁾ | | |
|--------|-------------|-----|--------|-----------------------|-----|--------|
| | Min | Typ | Max | Min | Typ | Max |
| A | - | - | 1.600 | - | - | 0.0630 |
| A1 | 0.050 | - | 0.150 | 0.0020 | - | 0.0059 |
| A2 | 1.350 | - | 1.450 | 0.0531 | - | 0.0571 |
| b | 0.170 | - | 0.270 | 0.0067 | - | 0.0106 |
| c | 0.090 | - | 0.200 | 0.0035 | - | 0.0079 |
| D | 23.900 | - | 24.100 | 0.9409 | - | 0.9488 |
| HD | 25.900 | - | 26.100 | 1.0197 | - | 1.0276 |

**Table 97. LQFP176 - 176-pin, 24 x 24 mm low profile quad flat package
mechanical data (continued)**

| Symbol | millimeters | | | inches ⁽¹⁾ | | |
|------------------|-------------|-------|--------|-----------------------|--------|--------|
| | Min | Typ | Max | Min | Typ | Max |
| ZD | - | 1.250 | - | - | 0.0492 | - |
| E | 23.900 | - | 24.100 | 0.9409 | - | 0.9488 |
| HE | 25.900 | - | 26.100 | 1.0197 | - | 1.0276 |
| ZE | - | 1.250 | - | - | 0.0492 | - |
| e | - | 0.500 | - | - | 0.0197 | - |
| L ⁽²⁾ | 0.450 | - | 0.750 | 0.0177 | - | 0.0295 |
| L1 | - | 1.000 | - | - | 0.0394 | - |
| k | 0° | - | 7° | 0° | - | 7° |
| ccc | - | - | 0.080 | - | - | 0.0031 |

1. Values in inches are converted from mm and rounded to 4 decimal digits.
2. L dimension is measured at gauge plane at 0.25 mm above the seating plane.

Figure 91. LQFP176 - 176-pin, 24 x 24 mm low profile quad flat recommended footprint



1. Dimensions are expressed in millimeters.

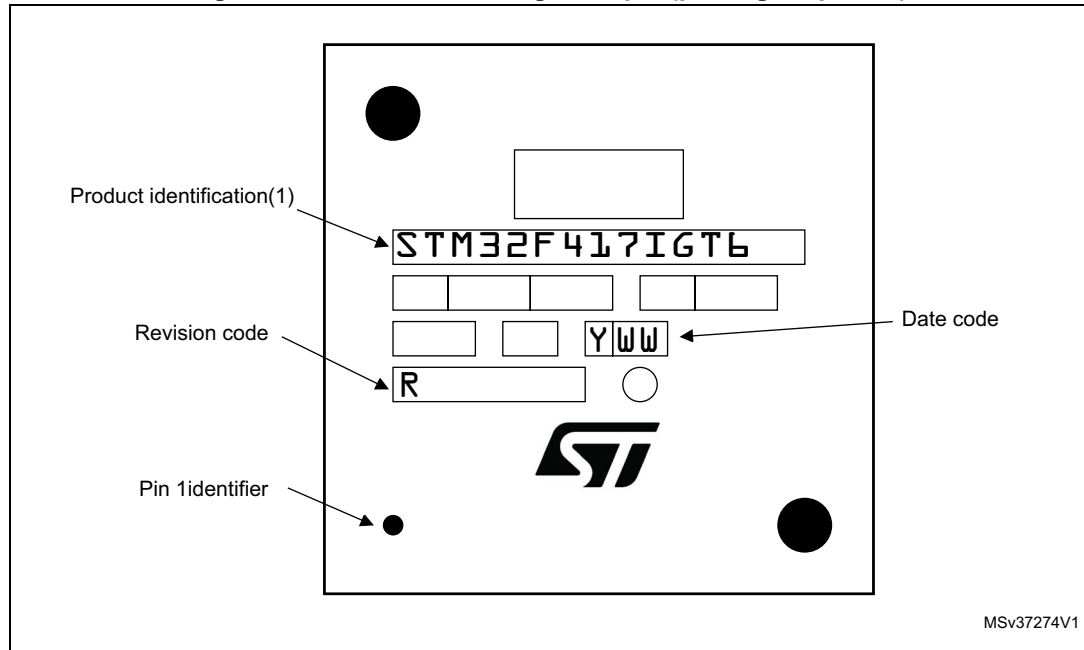
Device marking for LQFP176

The following figure gives an example of topside marking and pin 1 position identifier location.

The printed markings may differ depending on the supply chain.

Other optional marking or inset/upset marks, which depend on supply chain operations, are not indicated below.

Figure 92. LQFP176 marking example (package top view)



1. Parts marked as “ES”, “E” or accompanied by an Engineering Sample notification letter, are not yet qualified and therefore not yet ready to be used in production and any consequences deriving from such usage will not be at ST charge. In no event, ST will be liable for any customer usage of these engineering samples in production. ST Quality has to be contacted prior to any decision to use these Engineering Samples to run qualification activity.

6.7 Thermal characteristics

The maximum chip-junction temperature, $T_J \text{ max}$, in degrees Celsius, may be calculated using the following equation:

$$T_J \text{ max} = T_A \text{ max} + (P_D \text{ max} \times \Theta_{JA})$$

Where:

- $T_A \text{ max}$ is the maximum ambient temperature in °C,
- Θ_{JA} is the package junction-to-ambient thermal resistance, in °C/W,
- $P_D \text{ max}$ is the sum of $P_{INT} \text{ max}$ and $P_{I/O} \text{ max}$ ($P_D \text{ max} = P_{INT} \text{ max} + P_{I/O} \text{ max}$),
- $P_{INT} \text{ max}$ is the product of I_{DD} and V_{DD} , expressed in Watts. This is the maximum chip internal power.

$P_{I/O} \text{ max}$ represents the maximum power dissipation on output pins where:

$$P_{I/O} \text{ max} = \Sigma (V_{OL} \times I_{OL}) + \Sigma ((V_{DD} - V_{OH}) \times I_{OH}),$$

taking into account the actual V_{OL} / I_{OL} and V_{OH} / I_{OH} of the I/Os at low and high level in the application.

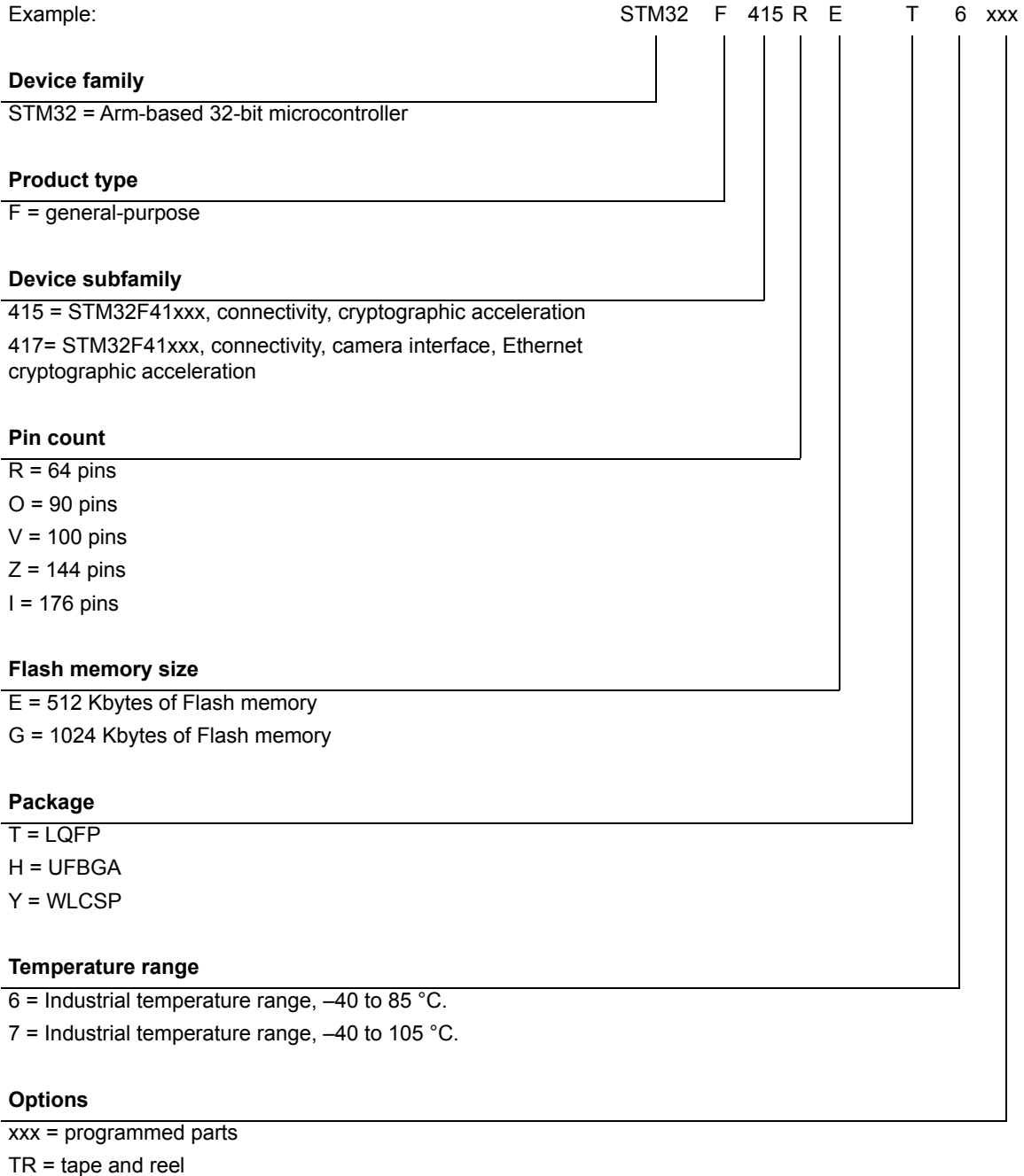
Table 98. Package thermal characteristics

| Symbol | Parameter | Value | Unit |
|---------------|---|-------|------|
| Θ_{JA} | Thermal resistance junction-ambient LQFP64 - 10 × 10 mm / 0.5 mm pitch | 46 | °C/W |
| | Thermal resistance junction-ambient LQFP100 - 14 × 14 mm / 0.5 mm pitch | 43 | |
| | Thermal resistance junction-ambient LQFP144 - 20 × 20 mm / 0.5 mm pitch | 40 | |
| | Thermal resistance junction-ambient LQFP176 - 24 × 24 mm / 0.5 mm pitch | 38 | |
| | Thermal resistance junction-ambient UFBGA176 - 10× 10 mm / 0.65 mm pitch | 39 | |
| | Thermal resistance junction-ambient WLCSP90 - 0.400 mm pitch | 38.1 | |

Reference document

JESD51-2 Integrated Circuits Thermal Test Method Environment Conditions - Natural Convection (Still Air). Available from www.jedec.org.

7 Ordering information

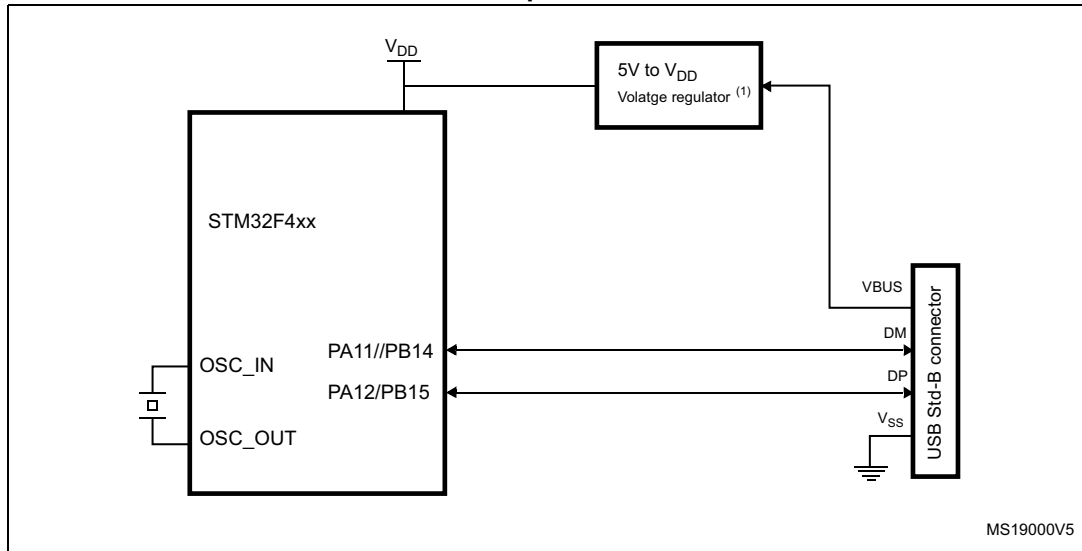


For a list of available options (speed, package, etc.) or for further information on any aspect of this device, please contact your nearest ST sales office.

Appendix A Application block diagrams

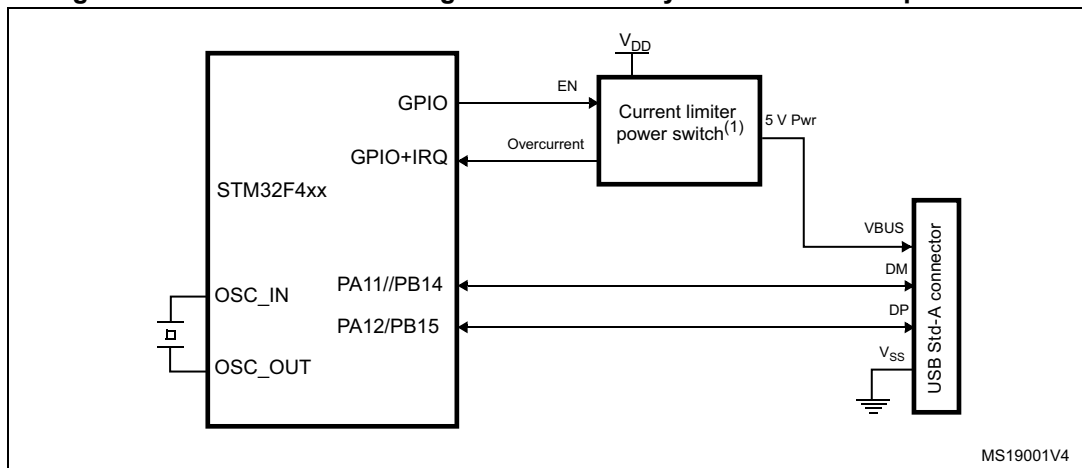
A.1 USB OTG full speed (FS) interface solutions

Figure 93. USB controller configured as peripheral-only and used in Full speed mode



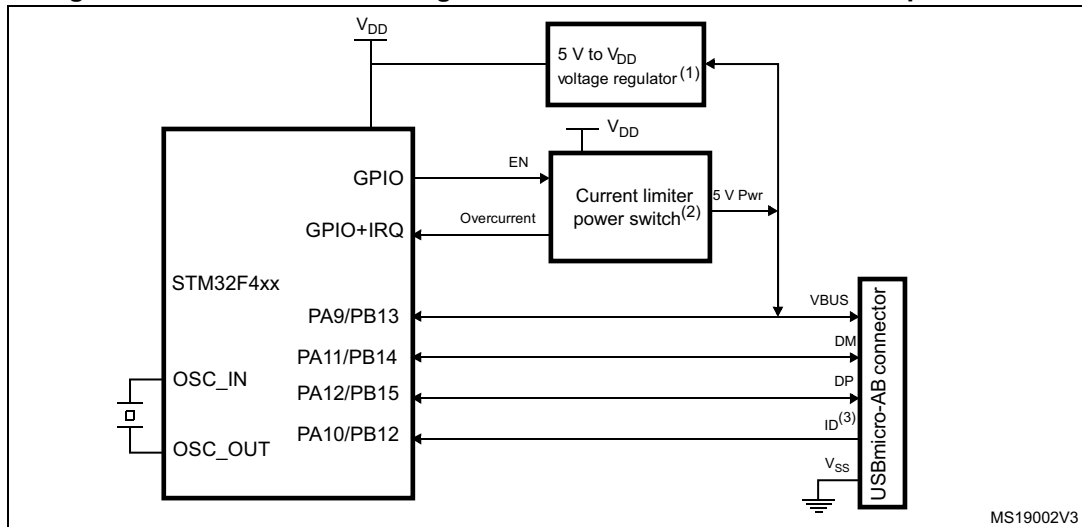
1. External voltage regulator only needed when building a V_{BUS} powered device.
2. The same application can be developed using the OTG HS in FS mode to achieve enhanced performance thanks to the large Rx/Tx FIFO and to a dedicated DMA controller.

Figure 94. USB controller configured as host-only and used in full speed mode



1. The current limiter is required only if the application has to support a V_{BUS} powered device. A basic power switch can be used if 5 V are available on the application board.
2. The same application can be developed using the OTG HS in FS mode to achieve enhanced performance thanks to the large Rx/Tx FIFO and to a dedicated DMA controller.

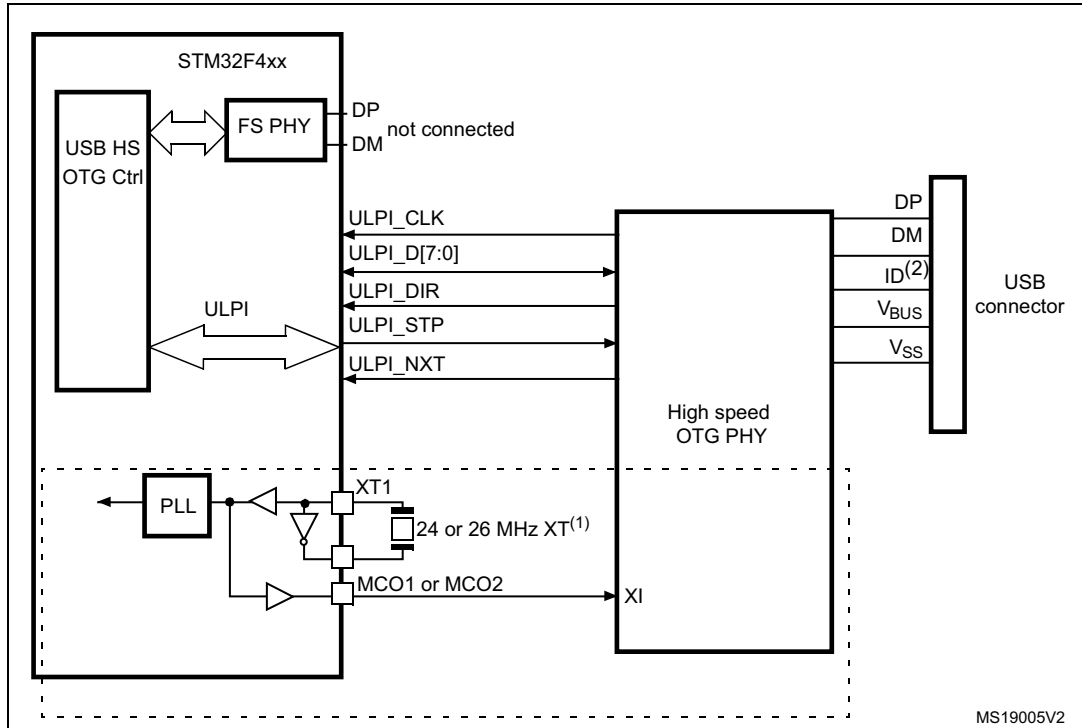
Figure 95. USB controller configured in dual mode and used in full speed mode



1. External voltage regulator only needed when building a V_{BUS} powered device.
2. The current limiter is required only if the application has to support a V_{BUS} powered device. A basic power switch can be used if 5 V are available on the application board.
3. The ID pin is required in dual role only.
4. The same application can be developed using the OTG HS in FS mode to achieve enhanced performance thanks to the large Rx/Tx FIFO and to a dedicated DMA controller.

A.2 USB OTG high speed (HS) interface solutions

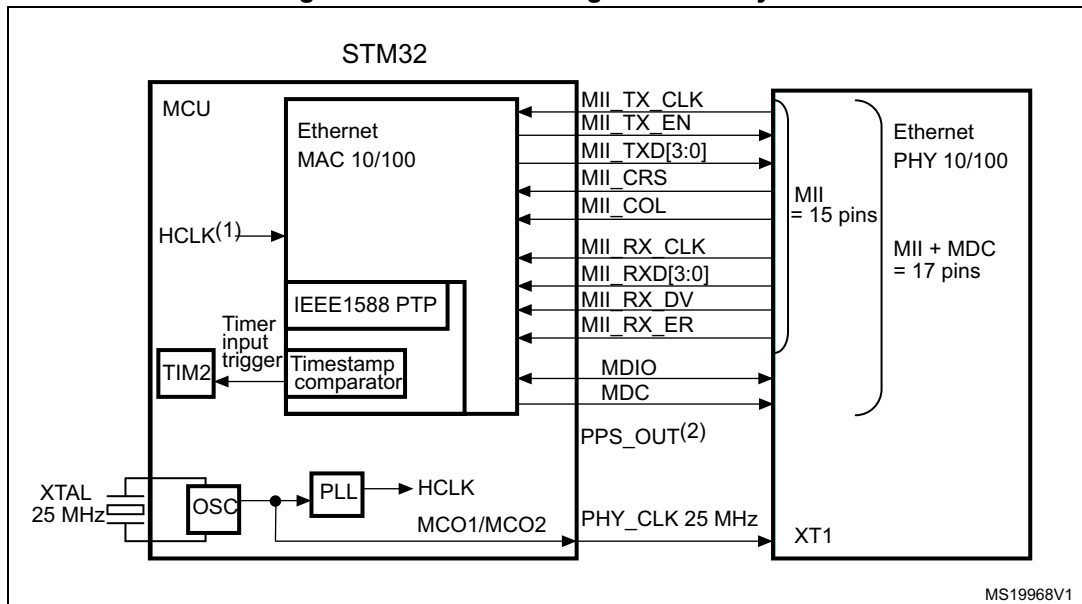
Figure 96. USB controller configured as peripheral, host, or dual-mode and used in high speed mode



1. It is possible to use MCO1 or MCO2 to save a crystal. It is however not mandatory to clock the STM32F41xxx with a 24 or 26 MHz crystal when using USB HS. The above figure only shows an example of a possible connection.
2. The ID pin is required in dual role only.

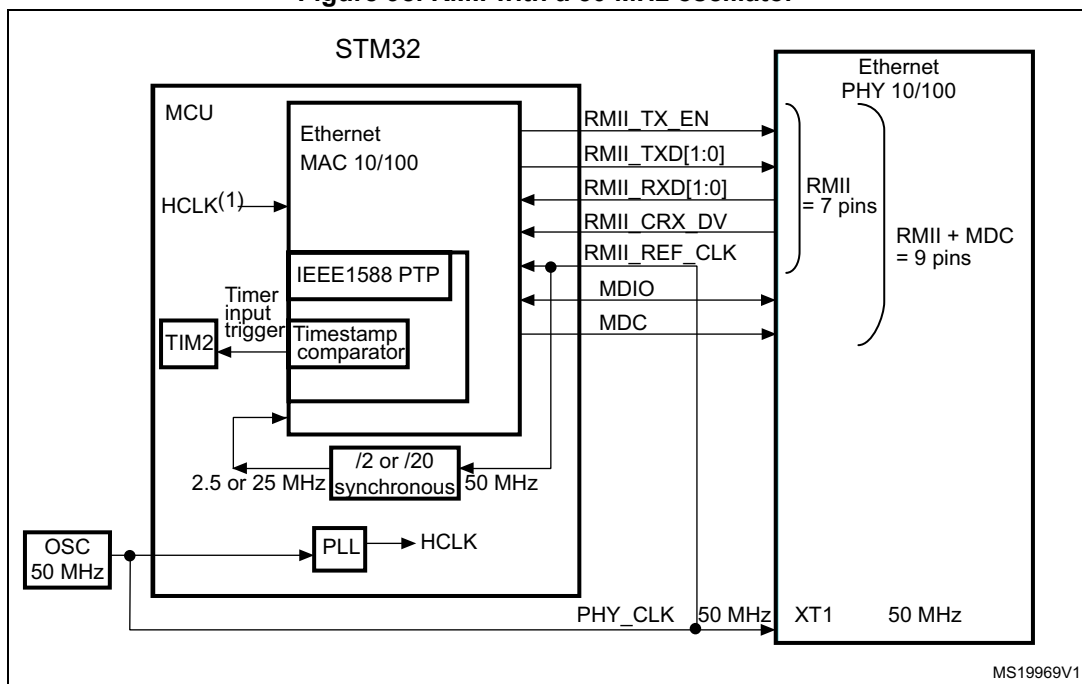
A.3 Ethernet interface solutions

Figure 97. MII mode using a 25 MHz crystal



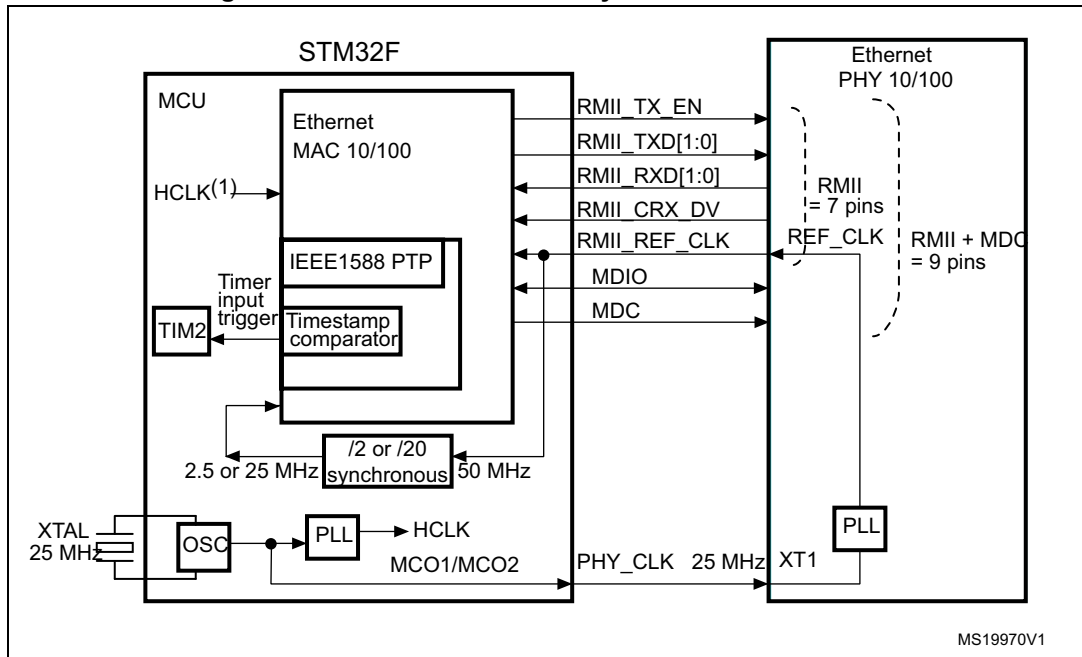
1. f_{HCLK} must be greater than 25 MHz.
2. Pulse per second when using IEEE1588 PTP optional signal.

Figure 98. RMIi with a 50 MHz oscillator



1. f_{HCLK} must be greater than 25 MHz.

Figure 99. RMIi with a 25 MHz crystal and PHY with PLL



1. f_{HCLK} must be greater than 25 MHz.
2. The 25 MHz (PHY_CLK) must be derived directly from the HSE oscillator, before the PLL block.

8 Revision history

Table 99. Document revision history

| Date | Revision | Changes |
|-------------|----------|---|
| 15-Sep-2011 | 1 | Initial release. |
| 24-Jan-2012 | 2 | <p>Added WLCSP90 package on cover page.</p> <p>Renamed USART4 and USART5 into UART4 and UART5, respectively.</p> <p>Updated number of USB OTG HS and FS in Table 2: STM32F415xx and STM32F417xx: features and peripheral counts.</p> <p>Updated Figure 3: Compatible board design between STM32F10xx/STM32F2/STM32F41xxx for LQFP144 package and Figure 4: Compatible board design between STM32F2 and STM32F41xxx for LQFP176 and BGA176 packages, and removed note 1 and 2.</p> <p>Updated Section 2.2.9: Flexible static memory controller (FSMC).</p> <p>Modified I/Os used to reprogram the Flash memory for CAN2 and USB OTG FS in Section 2.2.13: Boot modes.</p> <p>Updated note in Section 2.2.14: Power supply schemes.</p> <p>PDR_ON no more available on LQFP100 package. Updated Section 2.2.16: Voltage regulator. Updated condition to obtain a minimum supply voltage of 1.7 V in the whole document.</p> <p>Renamed USART4/5 to UART4/5 and added LIN and IrDA feature for UART4 and UART5 in Table 5: USART feature comparison.</p> <p>Removed support of I2C for OTG PHY in Section 2.2.30: Universal serial bus on-the-go full-speed (OTG_FS).</p> <p>Added Table 6: Legend/abbreviations used in the pinout table.</p> <p>Table 7: STM32F41xxx pin and ball definitions: replaced V_{SS_3}, V_{SS_4}, and V_{SS_8} by V_{SS}; reformatted Table 7: STM32F41xxx pin and ball definitions to better highlight I/O structure, and alternate functions versus additional functions; signal corresponding to LQFP100 pin 99 changed from PDR_ON to V_{SS}; EVENTOUT added in the list of alternate functions for all I/Os; ADC3_IN8 added as alternate function for PF10; FSMC_CLE and FSMC_ALE added as alternate functions for PD11 and PD12, respectively; PH10 alternate function TIM15_CH1_ETR renamed TIM5_CH1; updated PA4 and PA5 I/O structure to TTA.</p> <p>Removed OTG_HS_SCL, OTG_HS_SDA, OTG_FS_INTN in Table 7: STM32F41xxx pin and ball definitions and Table 9: Alternate function mapping.</p> <p>Changed TCM data RAM to CCM data RAM in Figure 18: STM32F41xxx memory map.</p> <p>Added I_{VDD} and I_{VSS} maximum values in Table 12: Current characteristics.</p> <p>Added Note 1 related to f_{HCLK}, updated Note 2 in Table 14: General operating conditions, and added maximum power dissipation values.</p> <p>Updated Table 15: Limitations depending on the operating power supply range.</p> |

Table 99. Document revision history (continued)

| Date | Revision | Changes |
|-------------|------------------|--|
| 24-Jan-2012 | 2 (continued) | <p>Added V_{12} in Table 19: Embedded reset and power control block characteristics.</p> <p>Updated Table 21: Typical and maximum current consumption in Run mode, code with data processing running from Flash memory (ART accelerator disabled) and Table 20: Typical and maximum current consumption in Run mode, code with data processing running from Flash memory (ART accelerator enabled) or RAM. Added Figure 25, Figure 26, and Figure 27.</p> <p>Updated Table 22: Typical and maximum current consumption in Sleep mode and removed Note 1.</p> <p>Updated Table 23: Typical and maximum current consumptions in Stop mode and Table 24: Typical and maximum current consumptions in Standby mode, Table 25: Typical and maximum current consumptions in V_{BAT} mode, and Table 27: Switching output I/O current consumption.</p> <p>Section : On-chip peripheral current consumption: modified conditions, and updated Table 28: Peripheral current consumption and Note 2.</p> <p>Changed f_{HSE_ext} to 50 MHz and $t_{r(HSE)}/t_{f(HSE)}$ maximum value in Table 30: High-speed external user clock characteristics.</p> <p>Added $C_{in(LSE)}$ in Table 31: Low-speed external user clock characteristics.</p> <p>Updated maximum PLL input clock frequency, removed related note, and deleted jitter for MCO for RMII Ethernet typical value in Table 36: Main PLL characteristics. Updated maximum PLLI2S input clock frequency and removed related note in Table 37: PLLI2S (audio PLL) characteristics.</p> <p>Updated Section : Flash memory to specify that the devices are shipped to customers with the Flash memory erased. Updated Table 39: Flash memory characteristics, and added t_{ME} in Table 40: Flash memory programming.</p> <p>Updated Table 43: EMS characteristics, and Table 44: EMI characteristics.</p> <p>Updated Table 56: I2S dynamic characteristics</p> <p>Updated Figure 45: ULPI timing diagram and Table 62: ULPI timing.</p> <p>Added $t_{COUNTER}$ and t_{MAX_COUNT} in Table 52: Characteristics of TIMx connected to the APB1 domain and Table 53: Characteristics of TIMx connected to the APB2 domain. Updated Table 65: Dynamic characteristics: Ethernet MAC signals for RMII.</p> <p>Removed USB-IF certification in Section : USB OTG FS characteristics.</p> |

Table 99. Document revision history (continued)

| Date | Revision | Changes |
|-------------|------------------|---|
| 24-Jan-2012 | 2 (continued) | <p>Updated Table 61: USB HS clock timing parameters</p> <p>Updated Table 67: ADC characteristics.</p> <p>Updated Table 68: ADC accuracy at $f_{ADC} = 30$ MHz.</p> <p>Updated Note 1 in Table 74: DAC characteristics.</p> <p>Section 5.3.26: FSMC characteristics: updated Table 75 to Table 86, changed C_L value to 30 pF, and modified FSMC configuration for asynchronous timings and waveforms. Updated Figure 59: Synchronous multiplexed PSRAM write timings.</p> <p>Updated Table 98: Package thermal characteristics.</p> <p>Appendix A.1: USB OTG full speed (FS) interface solutions: modified Figure 93: USB controller configured as peripheral-only and used in Full speed mode added Note 2, updated Figure 94: USB controller configured as host-only and used in full speed mode and added Note 2, changed Figure 95: USB controller configured in dual mode and used in full speed mode and added Note 3.</p> <p>Appendix A.2: USB OTG high speed (HS) interface solutions: removed figures USB OTG HS device-only connection in FS mode and USB OTG HS host-only connection in FS mode, and updated Figure 96: USB controller configured as peripheral, host, or dual-mode and used in high speed mode and added Note 2.</p> <p>Added Appendix A.3: Ethernet interface solutions.</p> |

Table 99. Document revision history (continued)

| Date | Revision | Changes |
|-------------|----------|--|
| 31-May-2012 | 3 | <p>Updated Figure 5: STM32F41xxx block diagram and Figure 7: Power supply supervisor interconnection with internal reset OFF</p> <p>Added SDIO, added notes related to FSMC and SPI/I2S in Table 2: STM32F415xx and STM32F417xx: features and peripheral counts.</p> <p>Starting from Silicon revision Z, USB OTG full-speed interface is now available for all STM32F415xx devices.</p> <p>Added full information on WLCSP90 package together with corresponding part numbers.</p> <p>Changed number of AHB buses to 3.</p> <p>Modified available Flash memory sizes in Section 2.2.4: Embedded Flash memory.</p> <p>Modified number of maskable interrupt channels in Section 2.2.10: Nested vectored interrupt controller (NVIC).</p> <p>Updated case of Regulator ON/internal reset ON, Regulator ON/internal reset OFF, and Regulator OFF/internal reset ON in Section 2.2.16: Voltage regulator.</p> <p>Updated standby mode description in Section 2.2.19: Low-power modes.</p> <p>Added Note 1 below Figure 16: STM32F41xxx UFBGA176 ballout.</p> <p>Added Note 1 below Figure 17: STM32F41xxx WLCSP90 ballout.</p> <p>Updated Table 7: STM32F41xxx pin and ball definitions.</p> <p>Added Table 8: FSMC pin definition.</p> <p>Removed OTG_HS_INTN alternate function in Table 7: STM32F41xxx pin and ball definitions and Table 9: Alternate function mapping.</p> <p>Removed I2S2_WS on PB6/AF5 in Table 9: Alternate function mapping.</p> <p>Replaced JTRST by NJTRST, removed ETH_RMII_TX_CLK, and modified I2S3ext_SD on PC11 in Table 9: Alternate function mapping.</p> <p>Added Table 10: STM32F41x register boundary addresses.</p> <p>Updated Figure 18: STM32F41xxx memory map.</p> <p>Updated V_{DDA} and V_{REF+} decoupling capacitor in Figure 21: Power supply scheme.</p> <p>Added power dissipation maximum value for WLCSP90 in Table 14: General operating conditions.</p> <p>Updated $V_{POR/PDR}$ in Table 19: Embedded reset and power control block characteristics.</p> <p>Updated notes in Table 21: Typical and maximum current consumption in Run mode, code with data processing running from Flash memory (ART accelerator disabled), Table 20: Typical and maximum current consumption in Run mode, code with data processing running from Flash memory (ART accelerator enabled) or RAM, and Table 22: Typical and maximum current consumption in Sleep mode.</p> <p>Updated maximum current consumption at $T_A = 25^\circ\text{C}$ in Table 23: Typical and maximum current consumptions in Stop mode.</p> |

Table 99. Document revision history (continued)

| Date | Revision | Changes |
|-------------|------------------|--|
| 31-May-2012 | 3 (continued) | <p>Removed f_{HSE_ext} typical value in Table 30: High-speed external user clock characteristics. Updated Table 32: HSE 4-26 MHz oscillator characteristics and Table 33: LSE oscillator characteristics ($f_{LSE} = 32.768$ kHz).</p> <p>Added f_{PLL48_OUT} maximum value in Table 36: Main PLL characteristics.</p> <p>Modified equation 1 and 2 in Section 5.3.11: PLL spread spectrum clock generation (SSCG) characteristics.</p> <p>Updated Table 39: Flash memory characteristics, Table 40: Flash memory programming, and Table 41: Flash memory programming with VPP.</p> <p>Updated Section : Output driving current.</p> <p>Table 56: I²C characteristics: Note 4 updated and applied to $t_{h(SDA)}$ in Fast mode, and removed note 4 related to $t_{h(SDA)}$ minimum value.</p> <p>Updated Table 67: ADC characteristics. Updated note concerning ADC accuracy vs. negative injection current below Table 68: ADC accuracy at $f_{ADC} = 30$ MHz.</p> <p>Added WLCSP90 thermal resistance in Table 98: Package thermal characteristics.</p> <p>Updated Table 90: WLCSP90 - 4.223 x 3.969 mm, 0.400 mm pitch wafer level chip scale package mechanical data.</p> <p>Updated Figure 87: UFBGA176+25 ball, 10 x 10 mm, 0.65 mm pitch, ultra fine pitch ball grid array package outline and Table 95: UFBGA176+25 ball, 10 x 10 x 0.65 mm pitch, ultra thin fine pitch ball grid array mechanical data.</p> <p>Added Figure 91: LQFP176 - 176-pin, 24 x 24 mm low profile quad flat recommended footprint.</p> <p>Removed 256 and 768 Kbyte Flash memory density from Table : .</p> |

Table 99. Document revision history (continued)

| Date | Revision | Changes |
|-------------|----------|---|
| 04-Jun-2013 | 4 | <p>Modified Note 1 below Table 2: STM32F415xx and STM32F417xx: features and peripheral counts.</p> <p>Updated Figure 4 title.</p> <p>Updated Note 3 below Figure 21: Power supply scheme.</p> <p>Changed simplex mode into half-duplex mode in Section 2.2.25: Inter-integrated sound (I2S).</p> <p>Replaced DAC1_OUT and DAC2_OUT by DAC_OUT1 and DAC_OUT2, respectively.</p> <p>Updated pin 36 signal in Figure 15: STM32F41xxx LQFP176 pinout.</p> <p>Changed pin number from F8 to D4 for PA13 pin in Table 7: STM32F41xxx pin and ball definitions.</p> <p>Replaced TIM2_CH1/TIM2_ETR by TIM2_CH1_ETR for PA0 and PA5 pins in Table 9: Alternate function mapping.</p> <p>Changed system memory into System memory + OTP in Figure 18: STM32F41xxx memory map.</p> <p>Added Note 1 below Table 16: VCAP_1/VCAP_2 operating conditions.</p> <p>Updated I_{DDA} description in Table 74: DAC characteristics.</p> <p>Removed PA9/PB13 connection to VBUS in Figure 93: USB controller configured as peripheral-only and used in Full speed mode and Figure 94: USB controller configured as host-only and used in full speed mode.</p> <p>Updated SPI throughput on front page and Section 2.2.24: Serial peripheral interface (SPI)</p> <p>Updated operating voltages in Table 2: STM32F415xx and STM32F417xx: features and peripheral counts.</p> <p>Updated note in Section 2.2.14: Power supply schemes</p> <p>Updated Section 2.2.15: Power supply supervisor</p> <p>Updated "Regulator ON" paragraph in Section 2.2.16: Voltage regulator</p> <p>Removed note in Section 2.2.19: Low-power modes</p> <p>Corrected wrong reference manual in Section 2.2.28: Ethernet MAC interface with dedicated DMA and IEEE 1588 support</p> <p>Updated Table 15: Limitations depending on the operating power supply range</p> <p>Updated Table 24: Typical and maximum current consumptions in Standby mode</p> <p>Updated Table 25: Typical and maximum current consumptions in V_{BAT} mode</p> <p>Updated Table 37: PLLI2S (audio PLL) characteristics</p> <p>Updated Table 44: EMI characteristics</p> <p>Updated Table 49: Output voltage characteristics</p> <p>Updated Table 51: NRST pin characteristics</p> <p>Updated Table 55: SPI dynamic characteristics</p> <p>Updated Table 56: I2S dynamic characteristics</p> <p>Deleted Table 59</p> <p>Updated Table 62: ULPI timing</p> <p>Updated Figure 46: Ethernet SMI timing diagram</p> |

Table 99. Document revision history (continued)

| Date | Revision | Changes |
|-------------|------------------|---|
| 04-Jun-2013 | 4 (continued) | <p>Updated Figure 87: UFBGA176+25 ball, 10 x 10 mm, 0.65 mm pitch, ultra fine pitch ball grid array package outline</p> <p>Updated Table 95: UFBGA176+25 ball, 10 x 10 x 0.65 mm pitch, ultra thin fine pitch ball grid array mechanical data</p> <p>Updated Figure 5: STM32F41xxx block diagram</p> <p>Updated Section 2: Description</p> <p>Updated footnote ⁽³⁾ in Table 2: STM32F415xx and STM32F417xx: features and peripheral counts.</p> <p>Updated Figure 3: Compatible board design between STM32F10xx/STM32F2/STM32F41xxx for LQFP144 package</p> <p>Updated Figure 4: Compatible board design between STM32F2 and STM32F41xxx for LQFP176 and BGA176 packages</p> <p>Updated Section 2.2.14: Power supply schemes</p> <p>Updated Section 2.2.15: Power supply supervisor</p> <p>Updated Section 2.2.16: Voltage regulator, including figures.</p> <p>Updated Table 14: General operating conditions, including footnote ⁽²⁾.</p> <p>Updated Table 15: Limitations depending on the operating power supply range, including footnote ⁽³⁾.</p> <p>Updated footnote ⁽¹⁾ in Table 67: ADC characteristics.</p> <p>Updated footnote ⁽²⁾ in Table 68: ADC accuracy at f_{ADC} = 30 MHz.</p> <p>Updated footnote ⁽¹⁾ in Table 74: DAC characteristics.</p> <p>Updated Figure 9: Regulator OFF.</p> <p>Updated Figure 7: Power supply supervisor interconnection with internal reset OFF.</p> <p>Added Section 2.2.17: Regulator ON/OFF and internal reset ON/OFF availability.</p> <p>Updated footnote ⁽²⁾ of Figure 21: Power supply scheme.</p> <p>Replaced respectively "I2S3S_WS" by "I2S3_WS", "I2S3S_CK" by "I2S3_CK" and "FSMC_BLN1" by "FSMC_NBL1" in Table 9: Alternate function mapping.</p> <p>Added "EVENTOUT" as alternate function "AF15" for pin PC13, PC14, PC15, PH0, PH1, PI8 in Table 9: Alternate function mapping</p> <p>Replaced "DCMI_12" by "DCMI_D12" in Table 7: STM32F41xxx pin and ball definitions.</p> <p>Removed the following sentence from Section : I2C interface characteristics: "Unless otherwise specified, the parameters given in Table 56 are derived from tests performed under the ambient temperature, f_{PCLK1} frequency and V_{DD} supply voltage conditions summarized in Table 14."</p> <p>In Table 7: STM32F41xxx pin and ball definitions on page 50:</p> <ul style="list-style-type: none"> – For pin PC13, replaced "RTC_AF1" by "RTC_OUT, RTC_TAMP1, RTC_TS" – for pin PI8, replaced "RTC_AF2" by "RTC_TAMP1, RTC_TAMP2, RTC_TS". – for pin PB15, added RTC_REFIN in Alternate functions column. <p>In Table 9: Alternate function mapping on page 65, for port PB15, replaced "RTC_50Hz" by "RTC_REFIN".</p> |

Table 99. Document revision history (continued)

| Date | Revision | Changes |
|-------------|------------------|--|
| 04-Jun-2013 | 4 (continued) | <p>Updated Figure 6: Multi-AHB matrix.</p> <p>Updated Figure 7: Power supply supervisor interconnection with internal reset OFF</p> <p>Changed 1.2 V to V_{12} in Section : Regulator OFF</p> <p>Updated LQFP176 pin 48.</p> <p>Updated Section 1: Introduction.</p> <p>Updated Section 2: Description.</p> <p>Updated operating voltage in Table 2: STM32F415xx and STM32F417xx: features and peripheral counts.</p> <p>Updated Note 1.</p> <p>Updated Section 2.2.15: Power supply supervisor.</p> <p>Updated Section 2.2.16: Voltage regulator.</p> <p>Updated Figure 9: Regulator OFF.</p> <p>Updated Table 3: Regulator ON/OFF and internal reset ON/OFF availability.</p> <p>Updated Section 2.2.19: Low-power modes.</p> <p>Updated Section 2.2.20: V_{BAT} operation.</p> <p>Updated Section 2.2.22: Inter-integrated circuit interface (I²C) .</p> <p>Updated pin 48 in Figure 15: STM32F41xxx LQFP176 pinout.</p> <p>Updated Table 6: Legend/abbreviations used in the pinout table.</p> <p>Updated Table 7: STM32F41xxx pin and ball definitions.</p> <p>Updated Table 14: General operating conditions.</p> <p>Updated Table 15: Limitations depending on the operating power supply range.</p> <p>Updated Section 5.3.7: Wakeup time from low-power mode.</p> <p>Updated Table 34: HSI oscillator characteristics.</p> <p>Updated Section 5.3.15: I/O current injection characteristics.</p> <p>Updated Table 48: I/O static characteristics.</p> <p>Updated Table 51: NRST pin characteristics.</p> <p>Updated Table 56: I²C characteristics.</p> <p>Updated Figure 39: I²C bus AC waveforms and measurement circuit.</p> <p>Updated Section 5.3.19: Communications interfaces.</p> <p>Updated Table 67: ADC characteristics.</p> <p>Added Table 70: Temperature sensor calibration values.</p> <p>Added Table 73: Internal reference voltage calibration values.</p> <p>Updated Section 5.3.26: FSMC characteristics.</p> <p>Updated Section 5.3.28: SD/SDIO MMC card host interface (SDIO) characteristics.</p> <p>Updated Table 23: Typical and maximum current consumptions in Stop mode.</p> <p>Updated Section : SPI interface characteristics included Table 55.</p> <p>Updated Section : I2S interface characteristics included Table 56.</p> <p>Updated Table 64: Dynamic characteristics: Ethernet MAC signals for SMI.</p> <p>Updated Table 66: Dynamic characteristics: Ethernet MAC signals for MII.</p> |

Table 99. Document revision history (continued)

| Date | Revision | Changes |
|-------------|------------------|--|
| 04-Jun-2013 | 4 (continued) | <p>Updated Table 64: Dynamic characteristics: Ethernet MAC signals for SMI.</p> <p>Updated Table 66: Dynamic characteristics: Ethernet MAC signals for MII.</p> <p>Updated Table 79: Synchronous multiplexed NOR/PSRAM read timings.</p> <p>Updated Table 80: Synchronous multiplexed PSRAM write timings.</p> <p>Updated Table 81: Synchronous non-multiplexed NOR/PSRAM read timings.</p> <p>Updated Table 82: Synchronous non-multiplexed PSRAM write timings.</p> <p>Updated Section 5.3.27: Camera interface (DCMI) timing specifications including Table 87: DCMI characteristics and addition of Figure 72: DCMI timing diagram.</p> <p>Updated Section 5.3.28: SD/SDIO MMC card host interface (SDIO) characteristics including Table 88.</p> <p>Updated Chapter Figure 9.</p> |

Table 99. Document revision history (continued)

| Date | Revision | Changes |
|-------------|----------|---|
| 06-Mar-2015 | 5 | <p>Replace Cortex-M4F by Cortex-M4 with FPU throughout the document.</p> <p>Updated Section : Regulator OFF and Table 3: Regulator ON/OFF and internal reset ON/OFF availability for LQFP176.</p> <p>Updated Figure 15: STM32F41xxx LQFP176 pinout and Table 7: STM32F41xxx pin and ball definitions.</p> <p>Updated Figure 6: Multi-AHB matrix.</p> <p>Added note 1 below Figure 12: STM32F41xxx LQFP64 pinout, Figure 13: STM32F41xxx LQFP100 pinout, Figure 14: STM32F41xxx LQFP144 pinout and Figure 15: STM32F41xxx LQFP176 pinout.</p> <p>Updated I_{VDD} and I_{VSS} in Table 12: Current characteristics.</p> <p>Updated PLS[2:0]=101 (falling edge) configuration in Table 19: Embedded reset and power control block characteristics.</p> <p>Added Section : Additional current consumption. Updated Section : On-chip peripheral current consumption.</p> <p>Updated Table 29: Low-power mode wakeup timings.</p> <p>Updated Table 32: HSE 4-26 MHz oscillator characteristics and Table 33: LSE oscillator characteristics ($f_{LSE} = 32.768$ kHz).</p> <p>Changed condition related to $V_{ESD(CDM)}$ in Table 45: ESD absolute maximum ratings.</p> <p>Updated Table 47: I/O current injection susceptibility, Table 48: I/O static characteristics, Table 49: Output voltage characteristics conditions, Table 50: I/O AC characteristics and Figure 37: I/O AC characteristics definition.</p> <p>Updated Section : I2C interface characteristics.</p> <p>Remove note 3 in Table 69: Temperature sensor characteristics.</p> <p>Updated Figure 72: DCMI timing diagram.</p> <p>Modified Figure 75: WLCSP90 - 4.223 x 3.969 mm, 0.400 mm pitch wafer level chip scale package outline and Table 90: WLCSP90 - 4.223 x 3.969 mm, 0.400 mm pitch wafer level chip scale package mechanical data. Added Figure 76: WLCSP90 - 4.223 x 3.969 mm, 0.400 mm pitch wafer level chip scale recommended footprint and Table 91: WLCSP90 recommended PCB design rules.</p> <p>Modified Figure 78: LQFP64 – 64-pin, 10 x 10 mm low-profile quad flat package outline and Table 92: LQFP64 – 64-pin 10 x 10 mm low-profile quad flat package mechanical data.</p> <p>Updated Figure 87: UFBGA176+25 ball, 10 x 10 mm, 0.65 mm pitch, ultra fine pitch ball grid array package outline and Table 95: UFBGA176+25 ball, 10 x 10 x 0.65 mm pitch, ultra thin fine pitch ball grid array mechanical data. Added Figure 88: UFBGA176+25 - 201-ball, 10 x 10 mm, 0.65 mm pitch, ultra fine pitch ball grid array recommended footprint and Table 96: UFBGA176+2 recommended PCB design rules (0.65 mm pitch BGA).</p> <p>Updated Figure 90: LQFP176 - 176-pin, 24 x 24 mm low profile quad flat package outline.</p> <p>Added Section : Device marking for WLCSP90, Section : Device marking for LQFP64, Section : Device marking for LFP100, Section : Device marking for LQFP144, Section : Device marking for UFBGA176+25 and Section : Device marking for LQFP176.</p> |

Table 99. Document revision history (continued)

| Date | Revision | Changes |
|-------------|----------|---|
| 22-Oct-2015 | 6 | <p>In the whole document, updated notes related to values guaranteed by design or by characterization.</p> <p>Updated Table 34: HSI oscillator characteristics.</p> <p>Changed f_{VCO_OUT} minimum value and VCO freq to 100 MHz in Table 36: Main PLL characteristics and Table 37: PLLI2S (audio PLL) characteristics.</p> <p>Updated Figure 39: SPI timing diagram - slave mode and CPHA = 0.</p> <p>Updated Figure 53: 12-bit buffered /non-buffered DAC.</p> <p>Removed note 1 related to better performance using a restricted V_{DD} range in Table 68: ADC accuracy at $f_{ADC} = 30$ MHz.</p> <p>Updated Figure 84: LQFP144 - 144-pin, 20 x 20 mm low-profile quad flat package outline.</p> <p>Updated Figure 87: UFBGA176+25 ball, 10 x 10 mm, 0.65 mm pitch, ultra fine pitch ball grid array package outline and Table 95: UFBGA176+25 ball, 10 x 10 x 0.65 mm pitch, ultra thin fine pitch ball grid array mechanical data.</p> |
| 16-Mar-2016 | 7 | <p>Updated Figure 2: Compatible board design STM32F10xx/STM32F2/STM32F41xxx for LQFP100 package.</p> <p>Updated $V_{SSX} - V_{SS}$ in Table 11: Voltage characteristics to add V_{REF-}.</p> <p>Added V_{REF-} in Table 67: ADC characteristics.</p> <p>Updated Table 90: WLCSP90 - 4.223 x 3.969 mm, 0.400 mm pitch wafer level chip scale package mechanical data.</p> |

Table 99. Document revision history (continued)

| Date | Revision | Changes |
|-------------|----------|--|
| 09-Sep-2016 | 8 | <p>Removed note 1 below Figure 5: STM32F41xxx block diagram.</p> <p>Updated definition of stresses above maximum ratings in Section 5.2: Absolute maximum ratings.</p> <p>Updated $t_{h(NSS)}$ in Figure 39: SPI timing diagram - slave mode and CPHA = 0 and Figure 40: SPI timing diagram - slave mode and CPHA = 1.</p> <p>Added note related to optional marking and inset/upset marks in all package marking sections.</p> <p>Updated Figure 87: UFBGA176+25 ball, 10 x 10 mm, 0.65 mm pitch, ultra fine pitch ball grid array package outline and Table 95: UFBGA176+25 ball, 10 x 10 x 0.65 mm pitch, ultra thin fine pitch ball grid array mechanical data.</p> |
| 02-Sep-2020 | 9 | <p>Renamed Section 2.2 and Section 7 into Functional overview and Ordering information, respectively.</p> <p>Added Arm logo and legal notice in Section 1: Introduction and updated Arm wordmark in the whole document. Removed USB certified logos.</p> <p>Removed trademarks on ART Accelerator and ECOPACK.</p> <p>Added OTP memory in Features and Section 2.2.4: Embedded Flash memory.</p> <p>Changed random number generator to true random number generator in the whole document and updated Section 2.2.34: True random number generator (RNG).</p> <p>Updated Section 5.2: Absolute maximum ratings introduction.</p> <p>Updated V_{PVD} minimum value for PLS[2:0]=101 (falling edge) in Table 19: Embedded reset and power control block characteristics.</p> <p>Updated Note 1 related to UFBGA176 in Table 34: HSI oscillator characteristics.</p> <p>Added reference to application note AN4899 in Section 5.3.16: I/O port characteristics.</p> <p>Added Note 1 in Table 7: STM32F41xxx pin and ball definitions.</p> <p>Replaced DCMI_PIXCK by DCMI_PIXCLK in Table 9: Alternate function mapping.</p> <p>Renamed Section 7 into Ordering information.</p> <p>Updated D1 in Figure 87: UFBGA176+25 ball, 10 x 10 mm, 0.65 mm pitch, ultra fine pitch ball grid array package outline.</p> |

IMPORTANT NOTICE – PLEASE READ CAREFULLY

STMicroelectronics NV and its subsidiaries (“ST”) reserve the right to make changes, corrections, enhancements, modifications, and improvements to ST products and/or to this document at any time without notice. Purchasers should obtain the latest relevant information on ST products before placing orders. ST products are sold pursuant to ST’s terms and conditions of sale in place at the time of order acknowledgement.

Purchasers are solely responsible for the choice, selection, and use of ST products and ST assumes no liability for application assistance or the design of Purchasers’ products.

No license, express or implied, to any intellectual property right is granted by ST herein.

Resale of ST products with provisions different from the information set forth herein shall void any warranty granted by ST for such product.

ST and the ST logo are trademarks of ST. For additional information about ST trademarks, please refer to www.st.com/trademarks. All other product or service names are the property of their respective owners.

Information in this document supersedes and replaces information previously supplied in any prior versions of this document.

© 2020 STMicroelectronics – All rights reserved



单击下面可查看定价，库存，交付和生命周期等信息

[>>STMicro\(意法半导体\)](#)