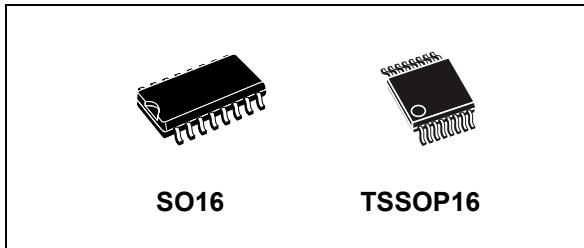


8-bit shift register with output latches (3-state)

Datasheet - production data



Features

- High speed: $f_{MAX} = 59$ MHz (typ.) at $V_{CC} = 6$ V
- Low power dissipation: $I_{CC} = 4$ μ A (max.) at $T_A = 25$ °C
- High noise immunity:
 $V_{NIH} = V_{NIL} = 28\% V_{CC}$ (min.)
- Symmetrical output impedance:
 - $|I_{OH}| = I_{OL} = 6$ mA (min.) for QA to QH
 - $|I_{OH}| = I_{OL} = 4$ mA (min.) for QH'
- Balanced propagation delays: $t_{PLH} \cong t_{PHL}$
- Wide operating voltage range:
 V_{CC} (opr.) = 2 V to 6 V
- Pin and function compatible with 74 series 595
- ESD performance
 - HBM: 2 kV
 - MM: 200 V
 - CDM: 1 kV

Applications

- Automotive
- Industrial
- Computer
- Consumer

Description

The M74HC595 device is a high speed CMOS 8-bit shift register with output latches (3-state) fabricated with silicon gate C²MOS technology.

This device contains an 8-bit serial in, parallel out shift register that feeds an 8-bit D-type storage register. The storage register has 8 3-state outputs. Separate clocks are provided for both the shift register and the storage register.

The shift register has direct overriding clear, serial input, and serial output (standard) pins for cascading. Both the shift register and storage register use positive edge triggered clocks. If both clocks are connected together, the shift register state will always be one clock pulse ahead of the storage register.

All inputs are equipped with protection circuits against static discharge and transient excess voltage.

Table 1. Device summary

Order code	Temperature range	Package	Packing	Marking
M74HC595RM13TR	-55/+125 °C	SO16	Tape and reel	74HC595
M74HC595YRM13TR ⁽¹⁾	-40/+125 °C	SO16 (automotive grade)		74HC595Y
M74HC595TTR	-55/+125 °C	TSSOP16		HC595
M74HC595YTTR ⁽¹⁾	-40/+125 °C	TSSOP16 (automotive grade)		HC595Y

1. Qualification and characterization according to AEC Q100 and Q003 or equivalent, advanced screening according to AEC Q001 and Q002 or equivalent.

Contents

1	Pin information	3
2	Functional description	4
3	Electrical characteristics	7
4	Package information	16
	4.1 SO16 package information	17
	4.2 TSSOP16 package information	19
5	Ordering information	21
6	Revision history	21



1 Pin information

Figure 1. Pin connection and IEC logic symbols

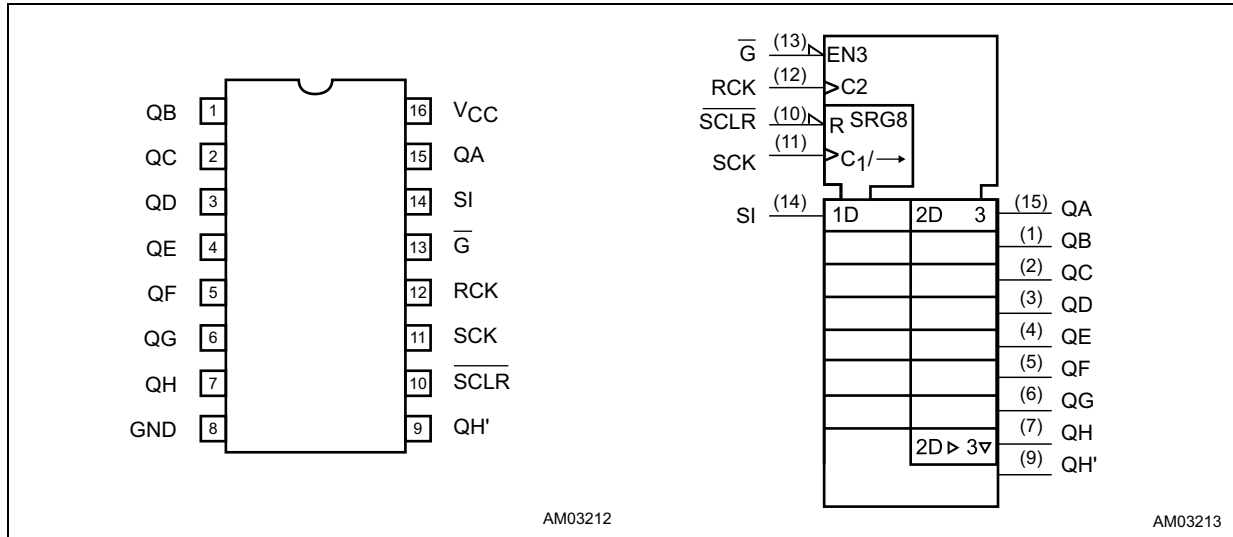
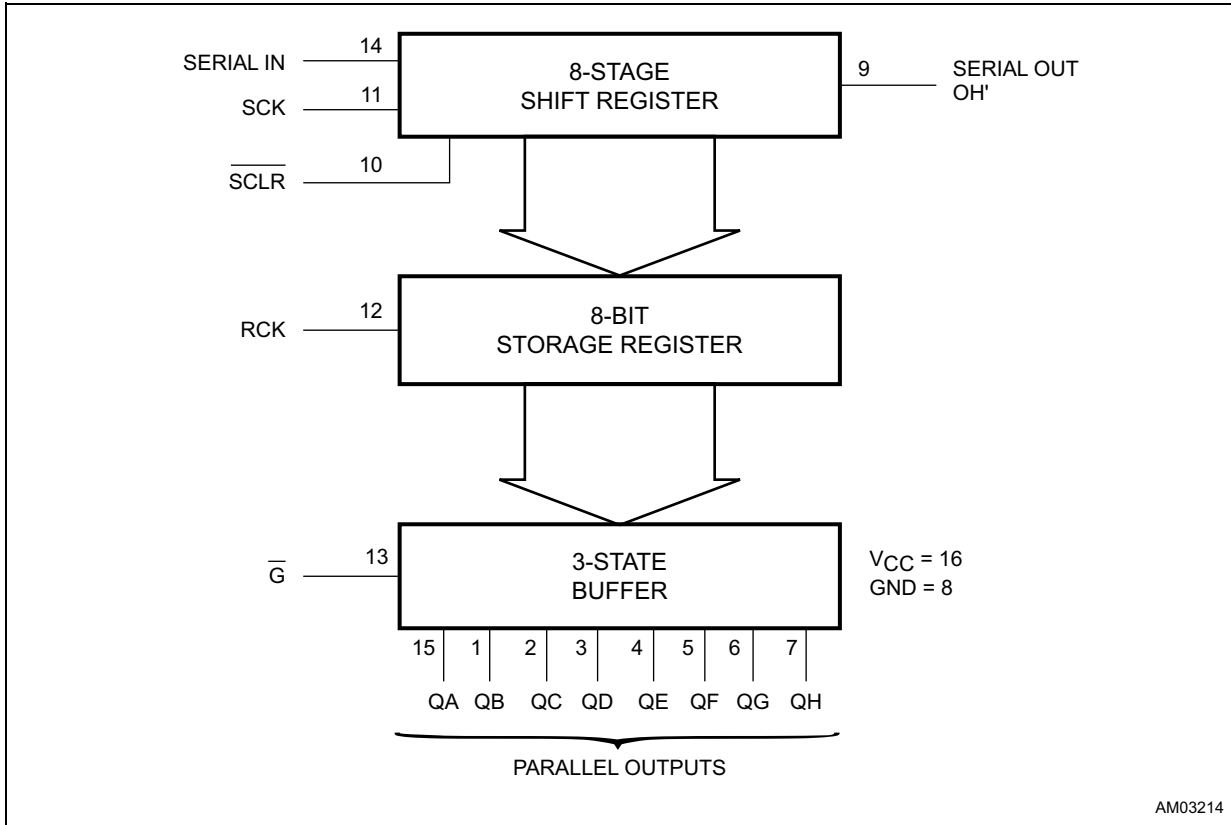


Table 2. Pin description

Pin no	Symbol	Name and function
1, 2, 3, 4, 5, 6, 7, 15	QA to QH	Data outputs
9	QH'	Serial data outputs
10	$\overline{\text{SCLR}}$	Shift register clear input
11	SCK	Shift register clock input
13	$\overline{\text{G}}$	Output enable input
14	SI	Serial data input
12	RCK	Storage register clock input
8	GND	Ground (0 V)
16	V _{CC}	Positive supply voltage

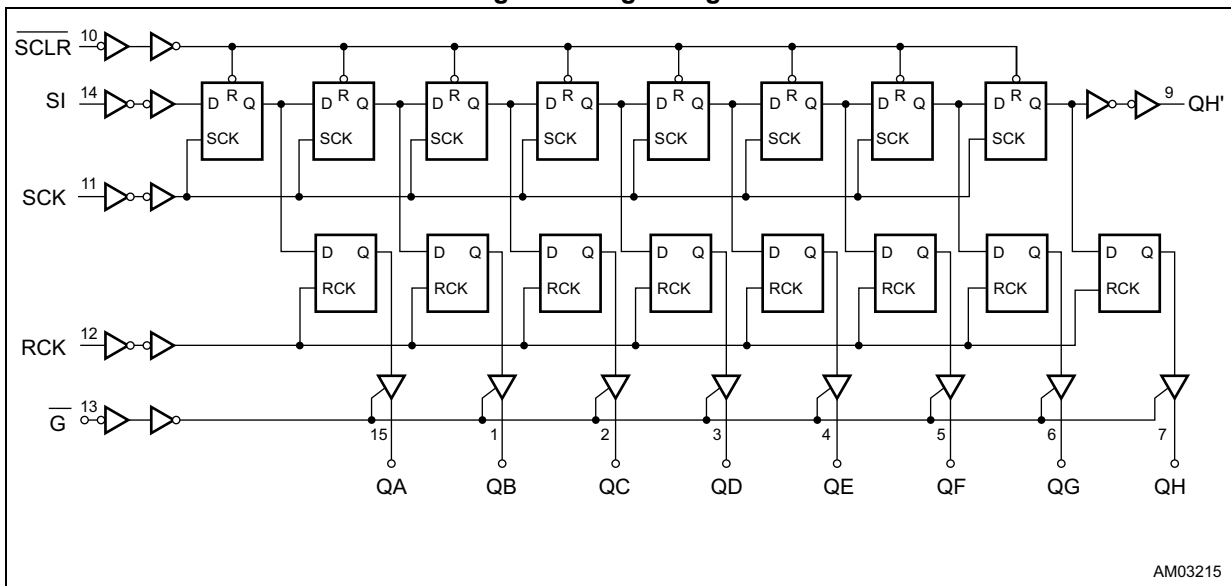
2 Functional description

Figure 2. Block diagram



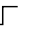
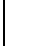
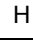
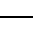

1. This block diagram has not be used to estimate propagation delays.

Figure 3. Logic diagram



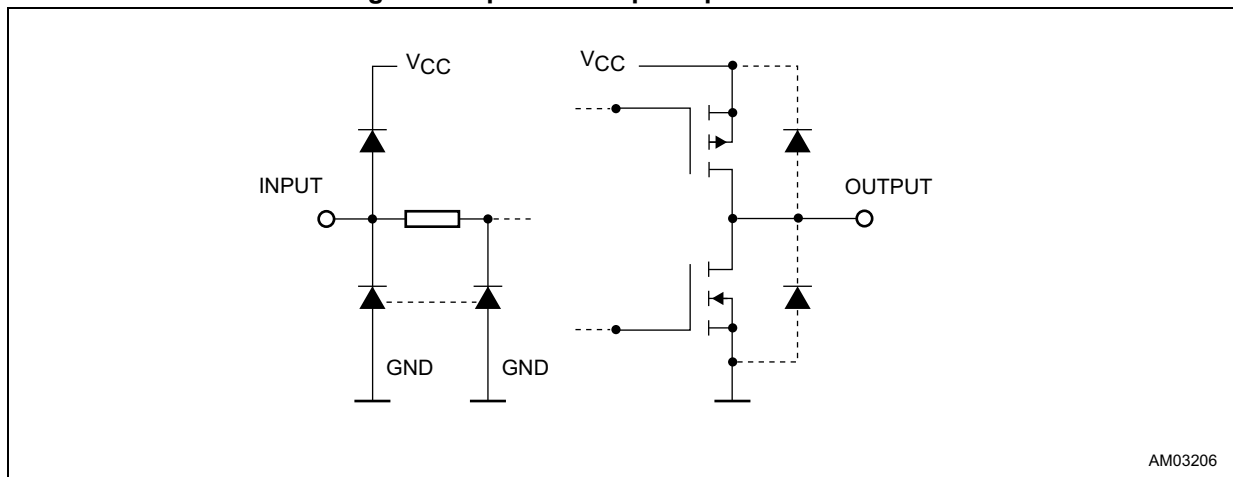
1. This logic diagram has not be used to estimate propagation delays.

Table 3. Truth table⁽¹⁾

Inputs					Outputs
SI	SCK	$\overline{\text{SCLR}}$	RCK	$\overline{\text{G}}$	
X	X	X	X	H	QA through QH outputs disable
X	X	X	X	L	QA through QH outputs enable
X	X	L	X	X	Shift register is cleared
L		H	X	X	First stage of S.R. becomes "L" other stages store the data of previous stage, respectively
H		H	X	X	First stage of S.R. becomes "H" other stages store the data of previous stage, respectively
X		H	X	X	State of S.R. is not changed
X	X	X		X	S.R. data is stored into storage register
X	X	X		X	Storage register state is not changed

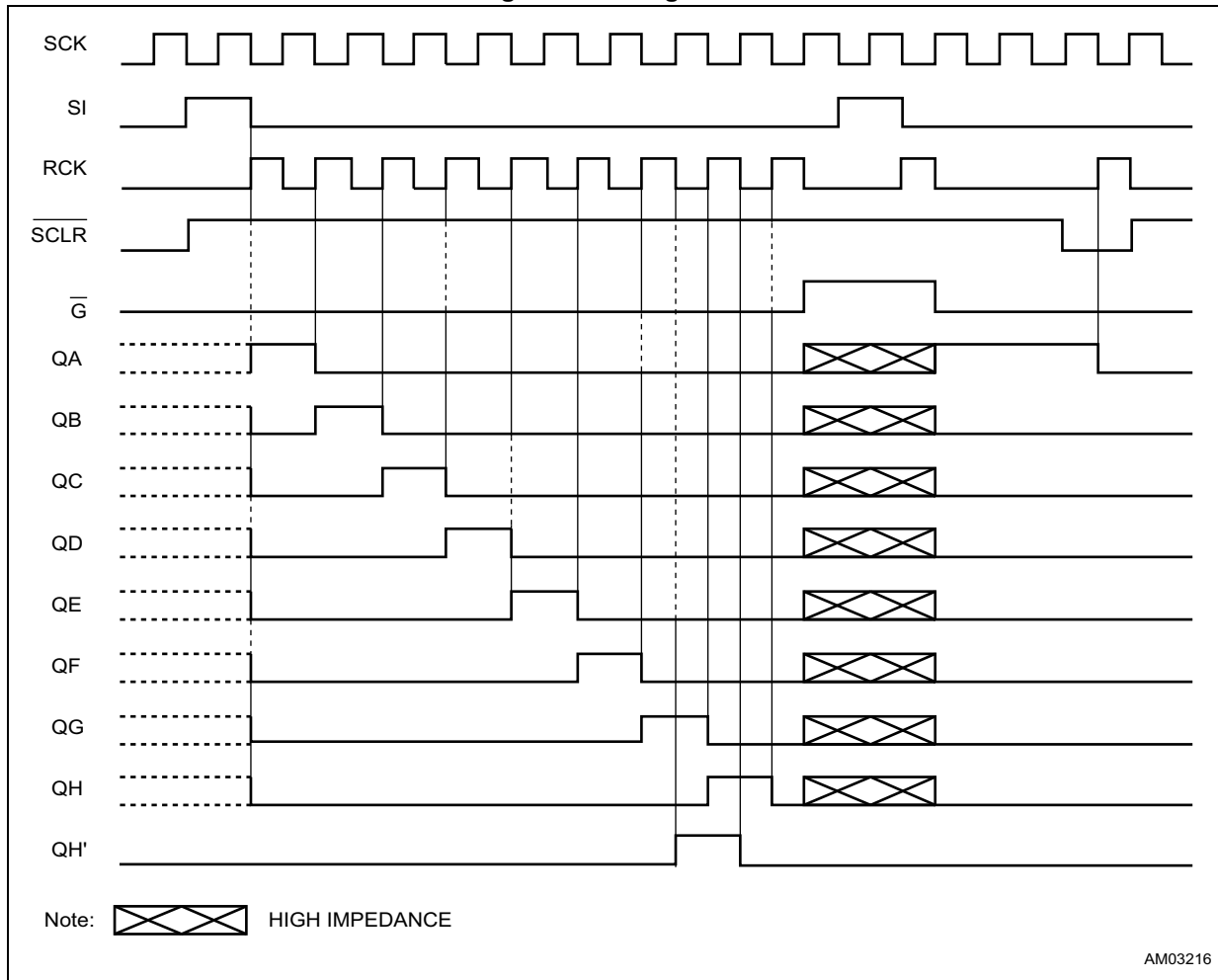
1. X: don't care.

Figure 4. Input and output equivalent circuit



AM03206

Figure 5. Timing chart



3 Electrical characteristics

Table 4. Absolute maximum ratings⁽¹⁾

Symbol	Parameter		Value	Unit
V_{CC}	Supply voltage		-0.5 to +7	V
V_I	DC input voltage		-0.5 to $V_{CC} + 0.5$	
V_O	DC output voltage			
I_{IK}	DC input diode current		± 20	mA
I_{OK}	DC output diode current			
I_O	DC output current		± 35	
I_{CC} or I_{GND}	DC V_{CC} or ground current		± 70	
P_D	Power dissipation	SOP	500 ⁽²⁾	mW
		TSSOP	450 ⁽²⁾	
T_{stg}	Storage temperature		-65 to +150	°C
T_L	Lead temperature (10 sec.)		300	

1. Absolute maximum ratings are those values beyond which damage to the device may occur. Functional operation under these conditions is not implied.
2. Power dissipation at 65 °C. Derating from 65 °C to 125 °C: SO package -7 mW/°C; TSSOP package -6.1 mW/°C.

Table 5. Recommended operating conditions

Symbol	Parameter		Value	Unit
V_{CC}	Supply voltage		2 to 6	V
V_I	Input voltage		0 to V_{CC}	
V_O	Output voltage			
T_{op}	Operating temperature		-55 to 125	°C
t_r, t_f	Input rise and fall time	$V_{CC} = 2.0$ V	0 to 1000	ns
		$V_{CC} = 4.5$ V	0 to 500	
		$V_{CC} = 6.0$ V	0 to 400	

Table 6. DC specifications

Symbol	Parameter	Test condition		Value						Unit	
		V _{CC} (V)		T _A = 25 °C			-40 to 85 °C		-55 to 125 °C		
				Min.	Typ.	Max.	Min.	Max.	Min.		Max.
V _{IH}	High level input voltage	2.0		1.5			1.5		1.5		V
		4.5		3.15			3.15		3.15		
		6.0		4.2			4.2		4.2		
V _{IL}	Low level input voltage	2.0				0.5		0.5		0.5	V
		4.5				1.35		1.35		1.35	
		6.0				1.8		1.8		1.8	
V _{OH}	High level output voltage (for QH' outputs)	2.0	I _O = -20 μA	1.9	2.0		1.9		1.9		V
		4.5	I _O = -20 μA	4.4	4.5		4.4		4.4		
		6.0	I _O = -20 μA	5.9	6.0		5.9		5.9		
		4.5	I _O = -4.0 mA	4.18	4.31		4.13		4.10		
		6.0	I _O = -7.8 mA	5.68	5.8		5.63		5.60		
V _{OH}	High level output voltage (for QA to QH outputs)	2.0	I _O = -20 μA	1.9	2.0		1.9		1.9		V
		4.5	I _O = -20 μA	4.4	4.5		4.4		4.4		
		6.0	I _O = -20 μA	5.9	6.0		5.9		5.9		
		4.5	I _O = -6.0 mA	4.18	4.31		4.13		4.10		
		6.0	I _O = -7.8 mA	5.68	5.8		5.63		5.60		
V _{OL}	Low level output voltage (for QH' outputs)	2.0	I _O = 20 μA		0.0	0.1		0.1		0.1	V
		4.5	I _O = 20 μA		0.0	0.1		0.1		0.1	
		6.0	I _O = 20 μA		0.0	0.1		0.1		0.1	
		4.5	I _O = 4.0 mA		0.17	0.26		0.33		0.40	
		6.0	I _O = 7.8 mA		0.18	0.26		0.33		0.40	
V _{OL}	Low level output voltage (for QA to QH outputs)	2.0	I _O = 20 μA		0.0	0.1		0.1		0.1	V
		4.5	I _O = 20 μA		0.0	0.1		0.1		0.1	
		6.0	I _O = 20 μA		0.0	0.1		0.1		0.1	
		4.5	I _O = 6.0 mA		0.17	0.26		0.33		0.40	
		6.0	I _O = 7.8 mA		0.18	0.26		0.33		0.40	
I _I	Input leakage current	6.0	V _I = V _{CC} or GND			±0.1		±1		±1	μA
I _{OZ}	High impedance output leakage current	6.0	V _I = V _{IH} or V _{IL} V _O = V _{CC} or GND			±0.5		±5		±10	μA
I _{CC}	Quiescent supply current	6.0	V _I = V _{CC} or GND			4		40		80	μA

Table 7. AC electrical characteristics ($C_L = 50$ pF, input $t_r = t_f = 6$ ns)

Symbol	Parameter	Test condition			Value						Unit	
		V_{CC} (V)	C_L (pF)		$T_A = 25^\circ\text{C}$			-40 to 85°C		-55 to 125°C		
					Min.	Typ.	Max.	Min.	Max.	Min.		Max.
t_{TLH}, t_{THL}	Output transition time (Qn)	2.0	50		25	60		75		90	ns	
		4.5		7	12		15		18			
		6.0		6	10		13		15			
t_{TLH}, t_{THL}	Output transition time (QH')	2.0	50		30	75		95		115	ns	
		4.5		8	15		19		23			
		6.0		7	13		16		20			
t_{PLH}, t_{PHL}	Propagation delay time (SCK - QH')	2.0	50		45	125		155		190	ns	
		4.5		15	25		31		38			
		6.0		13	21		26		32			
t_{PLH}, t_{PHL}	Propagation delay time (SCLR - QH')	2.0	50		60	175		220		265	ns	
		4.5		18	35		44		53			
		6.0		15	30		37		45			
t_{PLH}, t_{PHL}	Propagation delay time (RCK - Qn)	2.0	50		60	150		190		225	ns	
		4.5		20	30		38		45			
		6.0		17	26		32		38			
		2.0	150		75	190		240		285	ns	
		4.5		25	38		48		57			
		6.0		22	32		41		48			
t_{PZL}, t_{PZH}	High impedance output enable time	2.0	50	$R_L = 1\text{ K}\Omega$		45	135		170		205	ns
		4.5			15	27		34		41		
		6.0			13	23		29		35		
		2.0	150	$R_L = 1\text{ K}\Omega$		60	175		220		265	ns
		4.5			20	35		44		53		
		6.0			17	30		37		45		
t_{PLZ}, t_{PHZ}	High impedance output disable time	2.0	50	$R_L = 1\text{ K}\Omega$		30	150		190		225	ns
		4.5			15	30		38		45		
		6.0			14	26		32		38		

Table 7. AC electrical characteristics ($C_L = 50\text{ pF}$, input $t_r = t_f = 6\text{ ns}$) (continued)

Symbol	Parameter	Test condition			Value						Unit	
		V _{CC} (V)	C _L (pF)		T _A = 25°C			-40 to 85°C		-55 to 125°C		
					Min.	Typ.	Max.	Min.	Max.	Min.		Max.
f _{MAX}	Maximum clock frequency	2.0	50		6.0	17		4.8		4		MHz
		4.5		30	50		24		20			
		6.0		35	59		28		24			
		2.0	150		5.2	14		4.2		3.4		MHz
		4.5		26	40		21		17			
		6.0		31	45		25		20			
t _{W(H)}	Minimum pulse width (SCK, RCK)	2.0	50			17	75		95		110	ns
		4.5				6	15		19		22	
		6.0				6	13		16		19	
t _{W(L)}	Minimum pulse width (SCLR)	2.0	50			20	75		95		110	ns
		4.5				6	15		19		22	
		6.0				6	13		16		19	
t _s	Minimum setup time (SI - CCK)	2.0	50			25	50		65		75	ns
		4.5				5	10		13		15	
		6.0				4	9		11		13	
t _s	Minimum setup time (SCK - RCK)	2.0	50			35	75		95		110	ns
		4.5				8	15		19		22	
		6.0				6	13		16		19	
t _s	Minimum setup time (SCRL - RCK)	2.0	50			40	100		125		145	ns
		4.5				10	20		25		29	
		6.0				7	17		21		25	
t _h	Minimum hold time	2.0	50				0		0		0	ns
		4.5					0		0		0	
		6.0					0		0		0	
t _{REM}	Minimum clear removal time	2.0	50			15	50		65		75	ns
		4.5				3	10		13		15	
		6.0				3	9		11		13	

Table 8. Capacitive characteristics

Symbol	Parameter	Test condition	Value						Unit		
			V _{CC} (V)	T _A = 25 °C			-40 to 85 °C			-55 to 125 °C	
				Min.	Typ.	Max.	Min.	Max.		Min.	Max.
C _{IN}	Input capacitance			5	10		10		10	pF	
C _{PD}	Power dissipation capacitance ⁽¹⁾			184							

1. C_{PD} is defined as the value of the IC's internal equivalent capacitance which is calculated from the operating current consumption without load. (Refer to Figure 6: Test circuit). Average operating current can be obtained by the following equation: I_{CC(opr)} = C_{PD} × V_{CC} × f_{IN} + I_{CC}.

Figure 6. Test circuit

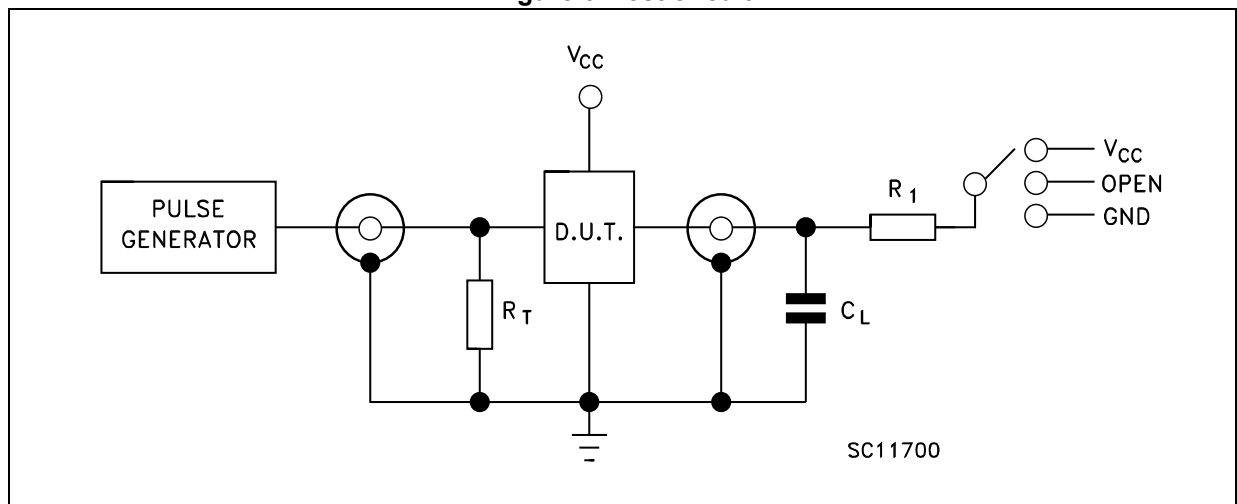


Table 9. Propagation delay time configuration

Test	Switch
t _{PLH} , t _{PHL}	Open
t _{PZL} , t _{PLZ}	V _{CC}
t _{PZH} , t _{PHZ}	GND

Note: C_L = 50 pF/150 pF or equivalent (includes jig and probe capacitance)
 R₁ = 1 KΩ or equivalent
 R_T = Z_{OUT} of pulse generator (typically 50 Ω).

Figure 7. Waveform 1: SCK to QH' propagation delay times, SCK minimum pulse width (f = 1 MHz; 50 % duty cycle)

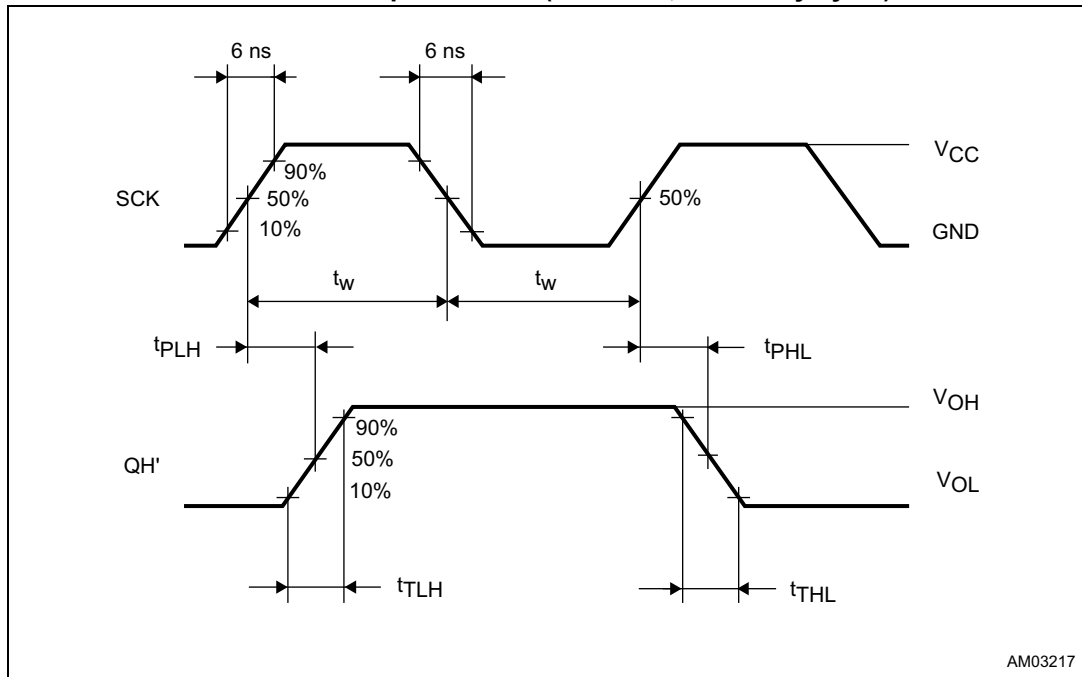


Figure 8. Waveform 2: RCK to QN propagation delay times (f = 1 MHz; 50 % duty cycle)

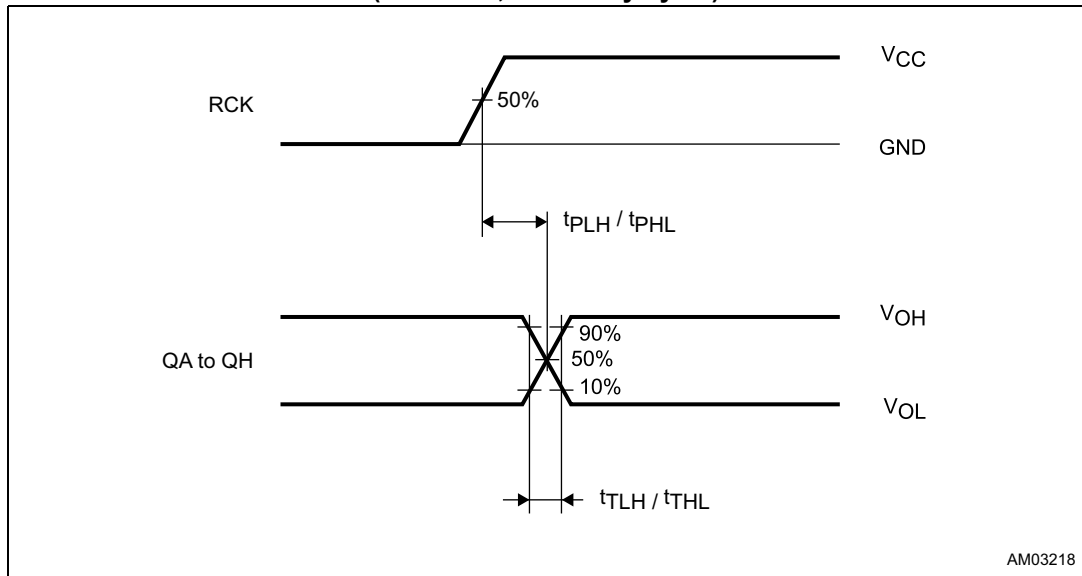


Figure 9. Waveform 3: SI to SCK setup and hold times (f = 1 MHz; 50 % duty cycle)

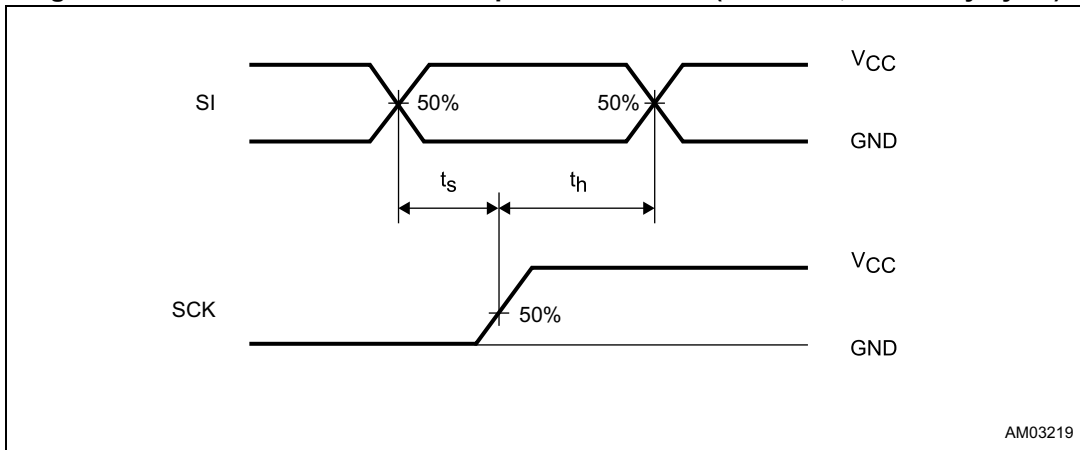


Figure 10. Waveform 4: SCK to RCK setup and hold times (f = 1 MHz; 50 % duty cycle)

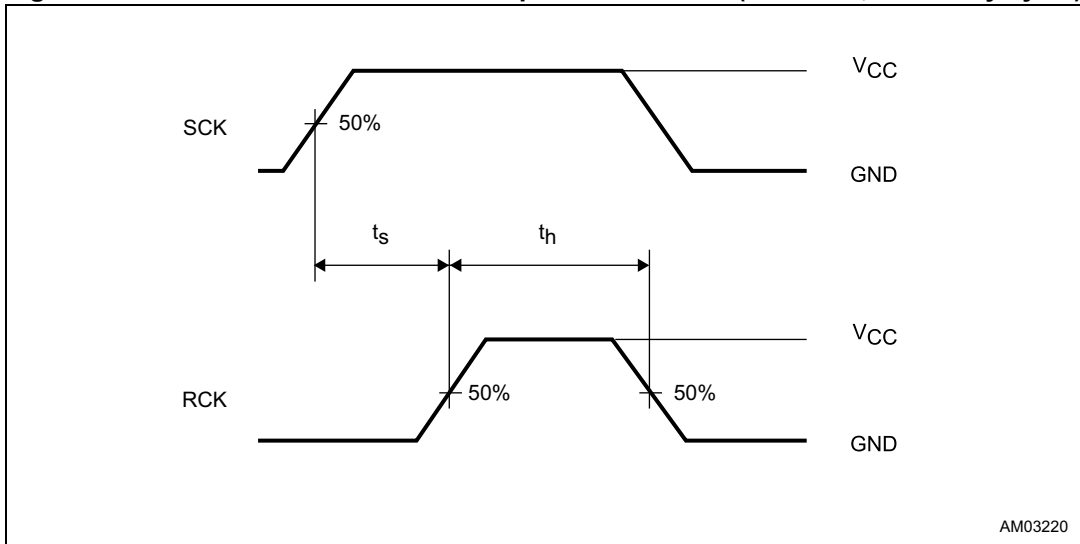
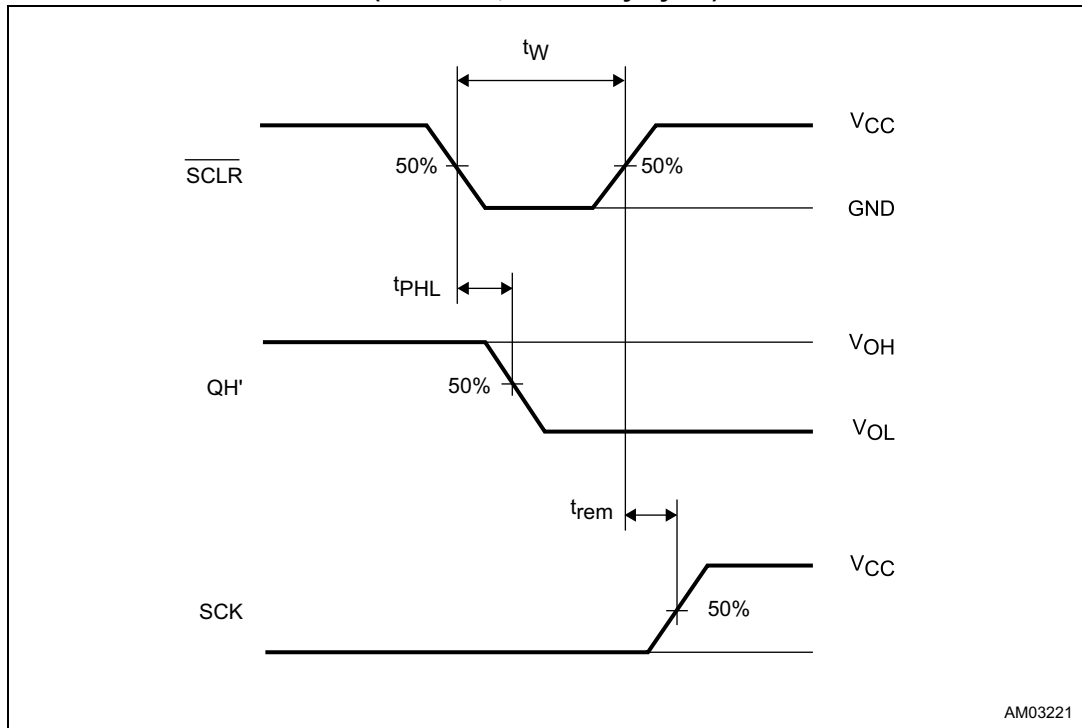
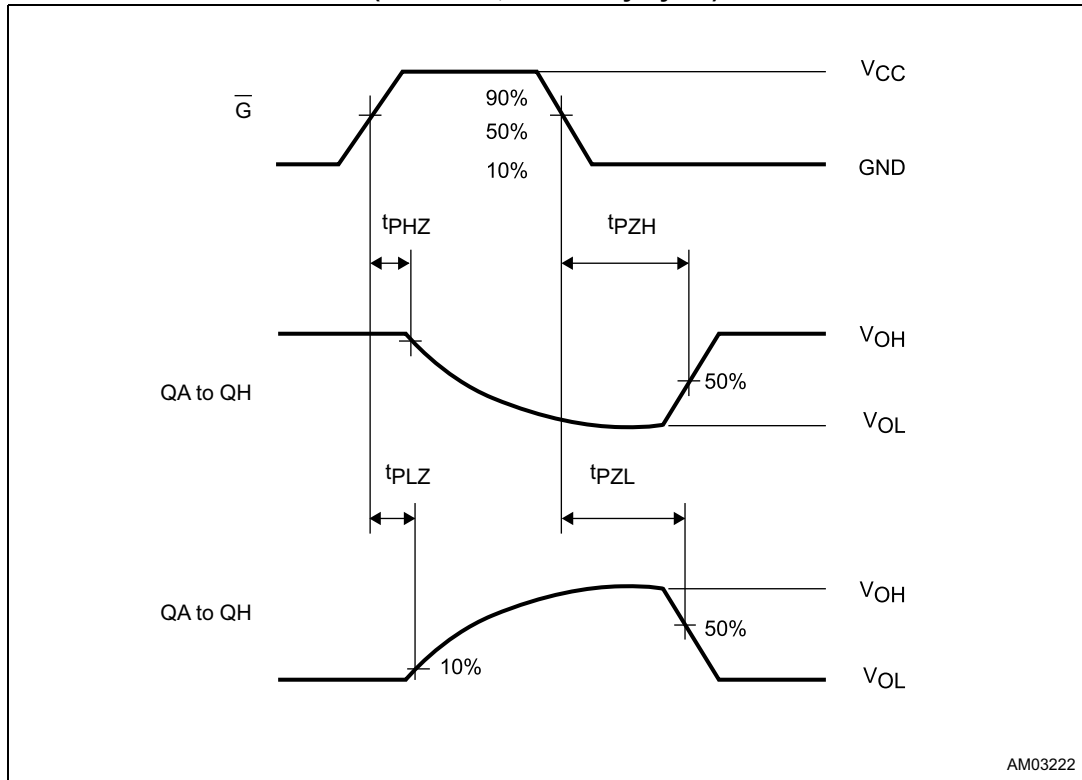


Figure 11. Waveform 5: $\overline{\text{SCLR}}$ minimum pulse width, minimum removal time (f = 1 MHz; 50 % duty cycle)



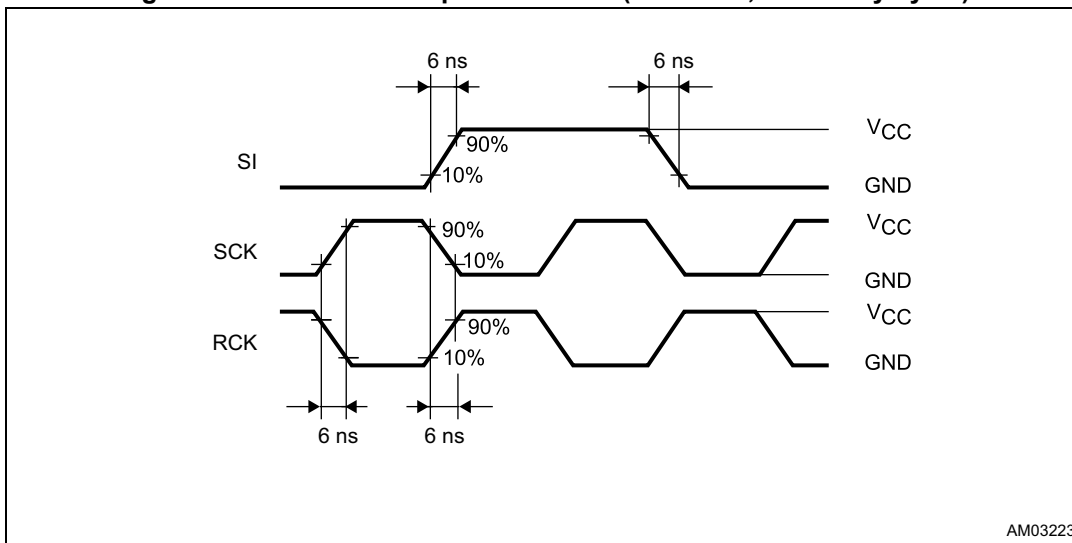
AM03221

Figure 12. Waveform 6: OUTPUT ENABLE and DISABLE times (f = 1 MHz; 50 % duty cycle)



AM03222

Figure 13. Waveform 7: input waveform (f = 1 MHz; 50 % duty cycle)

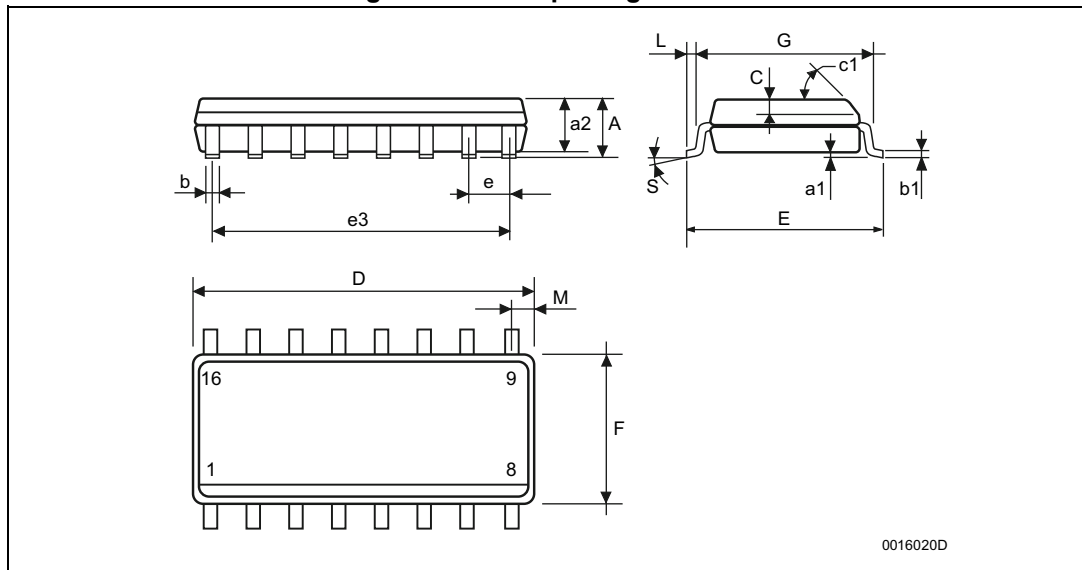


4 Package information

In order to meet environmental requirements, ST offers these devices in different grades of ECOPACK[®] packages, depending on their level of environmental compliance. ECOPACK specifications, grade definitions and product status are available at: www.st.com. ECOPACK is an ST trademark.

4.1 SO16 package information

Figure 14. SO16 package outline

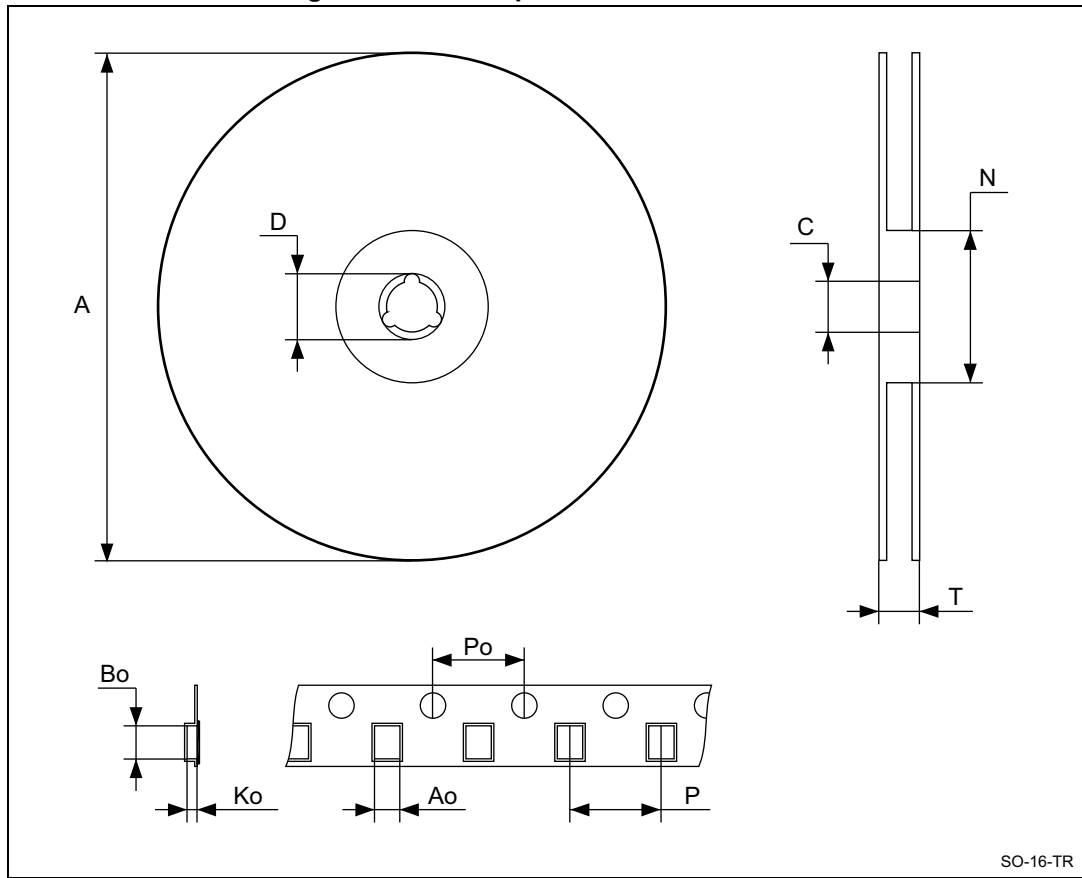


0016020D

Table 10. SO16 package mechanical data

Symbol	Dimensions					
	mm			inch		
	Min.	Typ.	Max.	Min.	Typ.	Max.
A			1.75			0.068
a1	0.1		0.2	0.004		0.008
a2			1.65			0.064
b	0.35		0.46	0.013		0.018
b1	0.19		0.25	0.007		0.010
C		0.5			0.019	
c1	45° (typ.)					
D	9.8		10	0.385		0.393
E	5.8		6.2	0.228		0.244
e		1.27			0.050	
e3		8.89			0.350	
F	3.8		4.0	0.149		0.157
G	4.6		5.3	0.181		0.208
L	0.5		1.27	0.019		0.050
M			0.62			0.024
S	8° (max.)					

Figure 15. SO16 tape and reel information



1. Drawing is not in scale.

Table 11. SO16 tape and reel information

Symbol	Dimensions					
	mm			inch		
	Min.	Typ.	Max.	Min.	Typ.	Max.
A			330			12.992
C	12.8		13.2	0.504		0.519
D	20.2			0.795		
N	60			2.362		
T			22.4			0.882
Ao	6.45		6.65	0.254		0.262
Bo	10.3		10.5	0.406		0.414
Ko	2.1		2.3	0.082		0.090
Po	3.9		4.1	0.153		0.161
P	7.9		8.1	0.311		0.319

4.2 TSSOP16 package information

Figure 16. TSSOP16 package outline

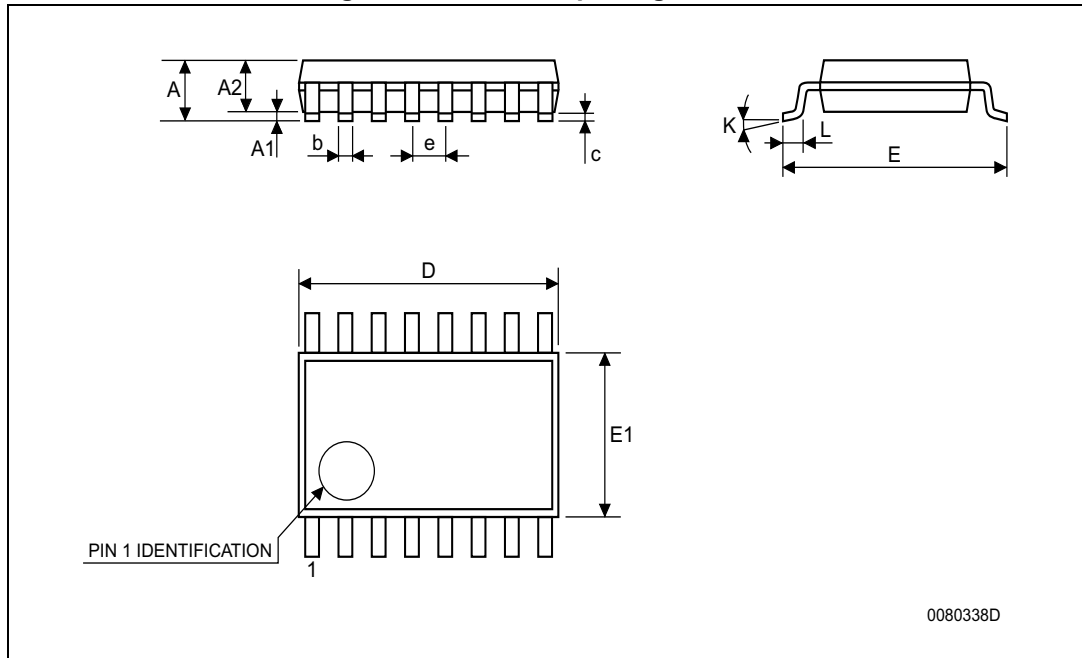
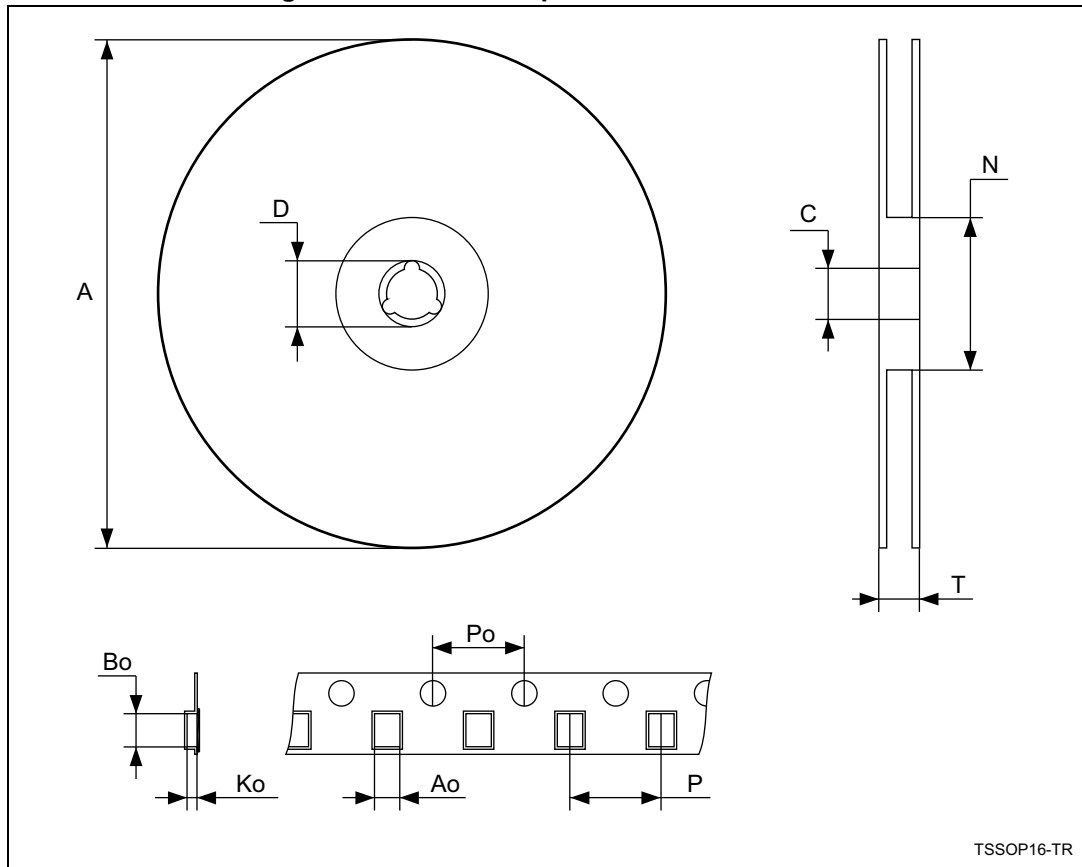


Table 12. TSSOP16 package mechanical data

Symbol	Dimensions					
	mm			inch		
	Min.	Typ.	Max.	Min.	Typ.	Max.
A			1.2			0.047
A1	0.05		0.15	0.002	0.004	0.006
A2	0.8	1	1.05	0.031	0.039	0.041
b	0.19		0.30	0.007		0.012
c	0.09		0.20	0.004		0.0079
D	4.9	5.5	.1	0.193	0.197	0.201
E	6.2	6.4	6.6	0.244	0.252	0.260
E1	4.3	4.4	4.48	0.169	0.173	0.176
e		0.65			0.0256	
K	0°		8°	0°		8°
L	0.45	0.60	0.75	0.018	0.024	0.030

Figure 17. TSSOP16 tape and reel information



TSSOP16-TR

1. Drawing is not in scale.

Table 13. TSSOP16 tape and reel information

Symbol	Dimensions					
	mm			inch		
	Min.	Typ.	Max.	Min.	Typ.	Max.
A			330			12.992
C	12.8		13.2	0.504		0.519
D	20.2			0.795		
N	60			2.362		
T			22.4			0.882
Ao	6.7		6.9	0.264		0.272
Bo	5.3		5.5	0.209		0.217
Ko	1.6		1.8	0.063		0.071
Po	3.9		4.1	0.153		0.161
P	7.9		8.1	0.311		0.319

5 Ordering information

Table 14. Device summary

Order code	Temp. range	Package	Packing	Marking
M74HC595RM13TR	-55/+125 °C	SO16	Tape and reel	74HC595
M74HC595YRM13TR ⁽¹⁾	-40/+125 °C	SO16 (automotive grade)		74HC595Y
M74HC595TTR	-55/+125 °C	TSSOP16		HC595
M74HC595YTTR ⁽¹⁾	-40/+125 °C	TSSOP16 (automotive grade)		HC595Y

1. Qualification and characterization according to AEC Q100 and Q003 or equivalent, advanced screening according to AEC Q001 and Q002 or equivalent.

6 Revision history

Table 15. Document revision history

Date	Revision	Changes
18-Apr-2013	5	<p>Added Applications to page 1.</p> <p>Updated Table 1 (updated data, removed M74HC595M1R order code, added M74HC595RM13TR, M74HC595YRM13TR, M74HC595TTR, and M74HC595YTTR order code, temperature range, marking, updated package and packaging).</p> <p>Redrawn Figure 1 to Figure 4 and Figure 7 to Figure 13.</p> <p>Moved Figure 1 to page 3.</p> <p>Added Contents.</p> <p>Added titles to Section 1 to Section 6 (reformatted Section 1 and Section 2).</p> <p>Added title to Table 9.</p> <p>Added cross-reference to note 1. below Table 8.</p> <p>Added ECOPACK text to Section 4, reformatted Section 4 (reversed order of figures and tables, added titles to Figure 14 to Figure 17 and Table 10 to Table 13, moved notes below Figure 15 and Figure 17).</p> <p>Added Table 15.</p> <p>Minor corrections throughout document.</p>
10-Jan-2014	6	<p>Removed PDIP16 package</p> <p>Added ESD data to Features</p> <p>Table 1: Device summary: updated footnote 1</p> <p>Added Section 5: Ordering information</p> <p>Updated layout</p>

Please Read Carefully:

Information in this document is provided solely in connection with ST products. STMicroelectronics NV and its subsidiaries ("ST") reserve the right to make changes, corrections, modifications or improvements, to this document, and the products and services described herein at any time, without notice.

All ST products are sold pursuant to ST's terms and conditions of sale.

Purchasers are solely responsible for the choice, selection and use of the ST products and services described herein, and ST assumes no liability whatsoever relating to the choice, selection or use of the ST products and services described herein.

No license, express or implied, by estoppel or otherwise, to any intellectual property rights is granted under this document. If any part of this document refers to any third party products or services it shall not be deemed a license grant by ST for the use of such third party products or services, or any intellectual property contained therein or considered as a warranty covering the use in any manner whatsoever of such third party products or services or any intellectual property contained therein.

UNLESS OTHERWISE SET FORTH IN ST'S TERMS AND CONDITIONS OF SALE ST DISCLAIMS ANY EXPRESS OR IMPLIED WARRANTY WITH RESPECT TO THE USE AND/OR SALE OF ST PRODUCTS INCLUDING WITHOUT LIMITATION IMPLIED WARRANTIES OF MERCHANTABILITY, FITNESS FOR A PARTICULAR PURPOSE (AND THEIR EQUIVALENTS UNDER THE LAWS OF ANY JURISDICTION), OR INFRINGEMENT OF ANY PATENT, COPYRIGHT OR OTHER INTELLECTUAL PROPERTY RIGHT.

ST PRODUCTS ARE NOT DESIGNED OR AUTHORIZED FOR USE IN: (A) SAFETY CRITICAL APPLICATIONS SUCH AS LIFE SUPPORTING, ACTIVE IMPLANTED DEVICES OR SYSTEMS WITH PRODUCT FUNCTIONAL SAFETY REQUIREMENTS; (B) AERONAUTIC APPLICATIONS; (C) AUTOMOTIVE APPLICATIONS OR ENVIRONMENTS, AND/OR (D) AEROSPACE APPLICATIONS OR ENVIRONMENTS. WHERE ST PRODUCTS ARE NOT DESIGNED FOR SUCH USE, THE PURCHASER SHALL USE PRODUCTS AT PURCHASER'S SOLE RISK, EVEN IF ST HAS BEEN INFORMED IN WRITING OF SUCH USAGE, UNLESS A PRODUCT IS EXPRESSLY DESIGNATED BY ST AS BEING INTENDED FOR "AUTOMOTIVE, AUTOMOTIVE SAFETY OR MEDICAL" INDUSTRY DOMAINS ACCORDING TO ST PRODUCT DESIGN SPECIFICATIONS. PRODUCTS FORMALLY ESCC, QML OR JAN QUALIFIED ARE DEEMED SUITABLE FOR USE IN AEROSPACE BY THE CORRESPONDING GOVERNMENTAL AGENCY.

Resale of ST products with provisions different from the statements and/or technical features set forth in this document shall immediately void any warranty granted by ST for the ST product or service described herein and shall not create or extend in any manner whatsoever, any liability of ST.

ST and the ST logo are trademarks or registered trademarks of ST in various countries.

Information in this document supersedes and replaces all information previously supplied.

The ST logo is a registered trademark of STMicroelectronics. All other names are the property of their respective owners.

© 2014 STMicroelectronics - All rights reserved

STMicroelectronics group of companies

Australia - Belgium - Brazil - Canada - China - Czech Republic - Finland - France - Germany - Hong Kong - India - Israel - Italy - Japan - Malaysia - Malta - Morocco - Philippines - Singapore - Spain - Sweden - Switzerland - United Kingdom - United States of America

www.st.com

单击下面可查看定价，库存，交付和生命周期等信息

[>>STMicro\(意法半导体\)](#)