



# ST72324Bxx-Auto

8-bit MCU for automotive, 3.8 to 5.5V operating range with 8 to 32 Kbyte Flash/ROM, 10-bit ADC, 4 timers, SPI, SCI

## Features

### Memories

- 8 to 32 Kbyte dual voltage High Density Flash (HDFlash) or ROM with readout protection capability. In-application programming and In-circuit programming for HDFlash devices
- 384 bytes to 1 Kbyte RAM
- HDFlash endurance: 100 cycles, data retention 20 years

### Clock, reset and supply management

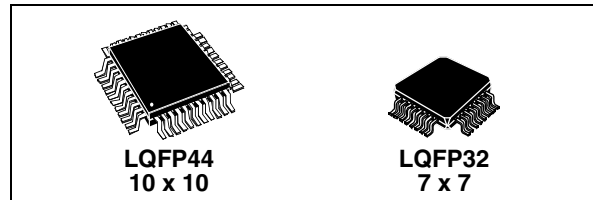
- Enhanced low voltage supervisor (LVD) with programmable reset thresholds and auxiliary voltage detector (AVD) with interrupt capability
- Clock sources: crystal/ceramic resonator oscillators, internal RC oscillator and external clock input
- PLL for 2x frequency multiplication
- 4 power saving modes: Slow, Wait, Active Halt, and Halt

### Interrupt management

- Nested interrupt controller
- 10 interrupt vectors plus TRAP and RESET
- 9/6 external interrupt lines (on 4 vectors)

### Up to 32 I/O ports

- 32/24 multifunctional bidirectional I/O lines
- 22/17 alternate function lines
- 12/10 high sink outputs



### 4 timers

- Main clock controller with Real-time base, Beep and Clock-out capabilities
- Configurable watchdog timer
- 16-bit Timer A with 1 input capture, 1 output compare, external clock input, PWM and pulse generator modes
- 16-bit Timer B with 2 input captures, 2 output compares, PWM and pulse generator modes

### 2 communication interfaces

- SPI synchronous serial interface
- SCI asynchronous serial interface

### 1 analog peripheral (low current coupling)

- 10-bit ADC with up to 12 input ports

### Instruction set

- 8-bit data manipulation
- 63 basic instructions
- 17 main addressing modes
- 8 x 8 Unsigned Multiply Instruction

### Development tools

- In-circuit testing capability

Table 1. Device summary

| Device          | Memory              | RAM (stack)      | Voltage range | Temp. range           | Package         |
|-----------------|---------------------|------------------|---------------|-----------------------|-----------------|
| ST72324BK2-Auto | Flash/ROM 8 Kbytes  | 384 (256) bytes  | 3.8 to 5.5V   | up to<br>-40 to 125°C | LQFP32<br>7x7   |
| ST72324BK4-Auto | Flash/ROM 16 Kbytes | 512 (256) bytes  |               |                       |                 |
| ST72324BK6-Auto | Flash/ROM 32 Kbytes | 1024 (256) bytes |               |                       |                 |
| ST72324BJ2-Auto | Flash/ROM 8 Kbytes  | 384 (256) bytes  |               |                       | LQFP44<br>10x10 |
| ST72324BJ4-Auto | Flash/ROM 16 Kbytes | 512 (256) bytes  |               |                       |                 |
| ST72324BJ6-Auto | Flash/ROM 32 Kbytes | 1024 (256) bytes |               |                       |                 |

# Contents

- 1 Description . . . . . 14**
- 2 Pin description . . . . . 15**
- 3 Register and memory map . . . . . 19**
- 4 Flash program memory . . . . . 22**
  - 4.1 Introduction . . . . . 22
  - 4.2 Main features . . . . . 22
  - 4.3 Structure . . . . . 22
    - 4.3.1 Readout protection . . . . . 23
  - 4.4 ICC interface . . . . . 23
  - 4.5 ICP (in-circuit programming) . . . . . 24
  - 4.6 IAP (in-application programming) . . . . . 25
  - 4.7 Related documentation . . . . . 25
    - 4.7.1 Flash Control/Status Register (FCSR) . . . . . 25
- 5 Central processing unit (CPU) . . . . . 26**
  - 5.1 Introduction . . . . . 26
  - 5.2 Main features . . . . . 26
  - 5.3 CPU registers . . . . . 26
    - 5.3.1 Accumulator (A) . . . . . 27
    - 5.3.2 Index registers (X and Y) . . . . . 27
    - 5.3.3 Program counter (PC) . . . . . 27
    - 5.3.4 Condition Code register (CC) . . . . . 27
    - 5.3.5 Stack Pointer register (SP) . . . . . 29
- 6 Supply, reset and clock management . . . . . 31**
  - 6.1 Introduction . . . . . 31
  - 6.2 PLL (phase locked loop) . . . . . 31
  - 6.3 Multi-oscillator (MO) . . . . . 32
    - 6.3.1 External clock source . . . . . 32
    - 6.3.2 Crystal/ceramic oscillators . . . . . 33



- 6.3.3 Internal RC oscillator ..... 33
- 6.4 Reset sequence manager (RSM) ..... 34
  - 6.4.1 Asynchronous external RESET pin ..... 34
- 6.5 System integrity management (SI) ..... 36
  - 6.5.1 LVD (low voltage detector) ..... 36
  - 6.5.2 AVD (auxiliary voltage detector) ..... 37
  - 6.5.3 Low power modes ..... 38
  - 6.5.4 Interrupts ..... 38
- 6.6 SI registers ..... 39
  - 6.6.1 System integrity (SI) control/status register (SICSR) ..... 39
- 7 Interrupts ..... 41**
  - 7.1 Introduction ..... 41
  - 7.2 Masking and processing flow ..... 41
    - 7.2.1 Servicing pending interrupts ..... 42
    - 7.2.2 Different interrupt vector sources ..... 43
    - 7.2.3 Non-maskable sources ..... 43
    - 7.2.4 Maskable sources ..... 43
  - 7.3 Interrupts and low power modes ..... 44
  - 7.4 Concurrent and nested management ..... 44
  - 7.5 Interrupt registers ..... 45
    - 7.5.1 CPU CC register interrupt bits ..... 45
    - 7.5.2 Interrupt software priority registers (ISPRx) ..... 46
  - 7.6 External interrupts ..... 48
    - 7.6.1 I/O port interrupt sensitivity ..... 48
    - 7.6.2 External interrupt control register (EICR) ..... 49
- 8 Power saving modes ..... 52**
  - 8.1 Introduction ..... 52
  - 8.2 Slow mode ..... 52
  - 8.3 Wait mode ..... 53
  - 8.4 Active Halt and Halt modes ..... 54
    - 8.4.1 Active Halt mode ..... 54
    - 8.4.2 Halt mode ..... 55
- 9 I/O ports ..... 58**



- 9.1 Introduction ..... 58
- 9.2 Functional description ..... 58
  - 9.2.1 Input modes ..... 58
  - 9.2.2 Output modes ..... 59
  - 9.2.3 Alternate functions ..... 59
- 9.3 I/O port implementation ..... 62
- 9.4 Low power modes ..... 62
- 9.5 Interrupts ..... 62
  - 9.5.1 I/O port implementation ..... 63
  
- 10 On-chip peripherals ..... 65**
  - 10.1 Watchdog timer (WDG) ..... 65
    - 10.1.1 Introduction ..... 65
    - 10.1.2 Main features ..... 65
    - 10.1.3 Functional description ..... 65
    - 10.1.4 How to program the Watchdog timeout ..... 66
    - 10.1.5 Low power modes ..... 68
    - 10.1.6 Hardware Watchdog option ..... 68
    - 10.1.7 Using Halt mode with the WDG (WDGHALT option) ..... 68
    - 10.1.8 Interrupts ..... 68
    - 10.1.9 Control register (WDGCR) ..... 69
  - 10.2 Main clock controller with real-time clock and beeper (MCC/RTC) ..... 69
    - 10.2.1 Programmable CPU clock prescaler ..... 69
    - 10.2.2 Clock-out capability ..... 70
    - 10.2.3 Real-time clock (RTC) timer ..... 70
    - 10.2.4 Beeper ..... 70
    - 10.2.5 Low power modes ..... 71
    - 10.2.6 Interrupts ..... 71
    - 10.2.7 MCC registers ..... 71
  - 10.3 16-bit timer ..... 74
    - 10.3.1 Introduction ..... 74
    - 10.3.2 Main features ..... 74
    - 10.3.3 Functional description ..... 75
    - 10.3.4 Low power modes ..... 88
    - 10.3.5 Interrupts ..... 88
    - 10.3.6 Summary of timer modes ..... 89



|           |                                       |            |
|-----------|---------------------------------------|------------|
| 10.3.7    | 16-bit timer registers                | 89         |
| 10.4      | Serial peripheral interface (SPI)     | 97         |
| 10.4.1    | Introduction                          | 97         |
| 10.4.2    | Main features                         | 97         |
| 10.4.3    | General description                   | 98         |
| 10.4.4    | Clock phase and clock polarity        | 102        |
| 10.4.5    | Error flags                           | 103        |
| 10.4.6    | Low power modes                       | 105        |
| 10.4.7    | Interrupts                            | 105        |
| 10.4.8    | SPI registers                         | 106        |
| 10.5      | Serial communications interface (SCI) | 110        |
| 10.5.1    | Introduction                          | 110        |
| 10.5.2    | Main features                         | 110        |
| 10.5.3    | General description                   | 111        |
| 10.5.4    | Functional description                | 113        |
| 10.5.5    | Low power modes                       | 122        |
| 10.5.6    | Interrupts                            | 122        |
| 10.5.7    | SCI registers                         | 122        |
| 10.6      | 10-bit A/D converter (ADC)            | 131        |
| 10.6.1    | Introduction                          | 131        |
| 10.6.2    | Main features                         | 131        |
| 10.6.3    | Functional description                | 132        |
| 10.6.4    | Low power modes                       | 133        |
| 10.6.5    | Interrupts                            | 133        |
| 10.6.6    | ADC registers                         | 133        |
| <b>11</b> | <b>Instruction set</b>                | <b>136</b> |
| 11.1      | CPU addressing modes                  | 136        |
| 11.1.1    | Inherent                              | 137        |
| 11.1.2    | Immediate                             | 138        |
| 11.1.3    | Direct                                | 138        |
| 11.1.4    | Indexed (no offset, short, long)      | 138        |
| 11.1.5    | Indirect (short, long)                | 139        |
| 11.1.6    | Indirect indexed (short, long)        | 139        |
| 11.1.7    | Relative mode (direct, indirect)      | 140        |
| 11.2      | Instruction groups                    | 140        |

**12 Electrical characteristics ..... 145**

- 12.1 Parameter conditions ..... 145
  - 12.1.1 Minimum and maximum values ..... 145
  - 12.1.2 Typical values ..... 145
  - 12.1.3 Typical curves ..... 145
  - 12.1.4 Loading capacitor ..... 145
  - 12.1.5 Pin input voltage ..... 146
- 12.2 Absolute maximum ratings ..... 146
  - 12.2.1 Voltage characteristics ..... 146
  - 12.2.2 Current characteristics ..... 147
  - 12.2.3 Thermal characteristics ..... 147
- 12.3 Operating conditions ..... 148
- 12.4 LVD/AVD characteristics ..... 149
  - 12.4.1 Operating conditions with LVD ..... 149
  - 12.4.2 Auxiliary voltage detector (AVD) thresholds ..... 149
- 12.5 Supply current characteristics ..... 150
  - 12.5.1 ROM current consumption ..... 150
  - 12.5.2 Flash current consumption ..... 151
  - 12.5.3 Supply and clock managers ..... 152
  - 12.5.4 On-chip peripherals ..... 152
- 12.6 Clock and timing characteristics ..... 153
  - 12.6.1 General timings ..... 153
  - 12.6.2 External clock source ..... 153
  - 12.6.3 Crystal and ceramic resonator oscillators ..... 154
  - 12.6.4 RC oscillators ..... 155
  - 12.6.5 PLL characteristics ..... 156
- 12.7 Memory characteristics ..... 156
  - 12.7.1 RAM and hardware registers ..... 156
  - 12.7.2 Flash memory ..... 157
- 12.8 EMC characteristics ..... 158
  - 12.8.1 Functional electromagnetic susceptibility (EMS) ..... 158
  - 12.8.2 Electromagnetic interference (EMI) ..... 159
  - 12.8.3 Absolute maximum ratings (electrical sensitivity) ..... 160
- 12.9 I/O port pin characteristics ..... 162
  - 12.9.1 General characteristics ..... 162
  - 12.9.2 Output driving current ..... 163

|           |   |            |
|-----------|---|------------|
| 12.10     | Control pin characteristics                                   | 166        |
| 12.10.1   | Asynchronous RESET pin  | 166        |
| 12.10.2   | ICCSEL/VPP pin  | 168        |
| 12.11     | Timer peripheral characteristics                              | 168        |
| 12.11.1   | 16-bit timer  | 168        |
| 12.12     | Communication interface characteristics                       | 169        |
| 12.12.1   | Serial peripheral interface (SPI)                             | 169        |
| 12.13     | 10-bit ADC characteristics                                    | 171        |
| 12.13.1   | Analog power supply and reference pins                        | 173        |
| 12.13.2   | General PCB design guidelines                                 | 173        |
| 12.13.3   | ADC accuracy  | 174        |
| <b>13</b> | <b>Package characteristics</b>                                | <b>175</b> |
| 13.1      | LQFP44 package characteristics                                | 175        |
| 13.2      | LQFP32 package characteristics                                | 176        |
| 13.3      | Thermal characteristics                                       | 178        |
| 13.4      | Ecopack information   | 178        |
| 13.5      | Packaging for automatic handling                              | 178        |
| <b>14</b> | <b>Device configuration and ordering information</b>          | <b>179</b> |
| 14.1      | Flash devices   | 179        |
| 14.1.1    | Flash configuration   | 179        |
| 14.1.2    | Flash ordering information                                    | 182        |
| 14.2      | ROM device ordering information and transfer of customer code | 183        |
| 14.3      | Development tools   | 187        |
| 14.3.1    | Introduction  | 187        |
| 14.3.2    | Evaluation tools and starter kits                             | 187        |
| 14.3.3    | Development and debugging tools                               | 187        |
| 14.3.4    | Programming tools   | 187        |
| 14.3.5    | Socket and emulator adapter information                       | 188        |
| 14.4      | ST7 Application notes   | 188        |
| <b>15</b> | <b>Known limitations</b>                                      | <b>189</b> |
| 15.1      | All Flash and ROM devices                                     | 189        |
| 15.1.1    | Safe connection of OSC1/OSC2 pins                             | 189        |
| 15.1.2    | External interrupt missed                                     | 189        |

---

|           |  |            |
|-----------|--|------------|
| 15.1.3    | Unexpected reset fetch .....                               | 191        |
| 15.1.4    | Clearing active interrupts outside interrupt routine ..... | 191        |
| 15.1.5    | 16-bit timer PWM mode .....                                | 192        |
| 15.1.6    | TIMD set simultaneously with OC interrupt .....            | 192        |
| 15.1.7    | SCI wrong break duration .....                             | 192        |
| 15.2      | 8/16 Kbyte Flash devices only .....                        | 193        |
| 15.2.1    | 39-pulse ICC entry mode .....                              | 193        |
| 15.2.2    | Negative current injection on pin PB0 .....                | 193        |
| 15.3      | 8/16 Kbyte ROM devices only .....                          | 193        |
| 15.3.1    | Readout protection with LVD .....                          | 193        |
| 15.3.2    | I/O Port A and F configuration .....                       | 193        |
| <b>16</b> | <b>Revision history .....</b>                              | <b>195</b> |





## List of tables

|           |   |    |
|-----------|---|----|
| Table 1.  | Device summary . . . . .  | 1  |
| Table 2.  | Device pin description . . . . .                                | 16 |
| Table 3.  | Hardware register map . . . . .                                 | 19 |
| Table 4.  | Sectors available in Flash devices . . . . .                    | 22 |
| Table 5.  | Flash control/status register address and reset value . . . . . | 25 |
| Table 6.  | Arithmetic management bits . . . . .                            | 27 |
| Table 7.  | Software interrupt bits . . . . .                               | 28 |
| Table 8.  | Interrupt software priority selection . . . . .                 | 28 |
| Table 9.  | ST7 clock sources . . . . .                                     | 33 |
| Table 10. | Effect of low power modes on SI . . . . .                       | 38 |
| Table 11. | AVD interrupt control/wake-up capability . . . . .              | 38 |
| Table 12. | SICSR register description . . . . .                            | 39 |
| Table 13. | Reset source flags . . . . .                                    | 39 |
| Table 14. | Interrupt software priority levels . . . . .                    | 42 |
| Table 15. | CPU CC register interrupt bits description . . . . .            | 45 |
| Table 16. | Interrupt software priority levels . . . . .                    | 45 |
| Table 17. | ISPRx interrupt vector correspondence . . . . .                 | 46 |
| Table 18. | Dedicated interrupt instruction set . . . . .                   | 46 |
| Table 19. | EICR register description . . . . .                             | 49 |
| Table 20. | Interrupt sensitivity - ei2 . . . . .                           | 49 |
| Table 21. | Interrupt sensitivity - ei3 . . . . .                           | 50 |
| Table 22. | Interrupt sensitivity - ei0 . . . . .                           | 50 |
| Table 23. | Interrupt sensitivity - ei1 . . . . .                           | 50 |
| Table 24. | Nested interrupts register map and reset values . . . . .       | 50 |
| Table 25. | Interrupt mapping . . . . .                                     | 51 |
| Table 26. | MCC/RTC low power mode selection . . . . .                      | 54 |
| Table 27. | DR register value and output pin status . . . . .               | 59 |
| Table 28. | I/O port mode options . . . . .                                 | 60 |
| Table 29. | I/O port configurations . . . . .                               | 61 |
| Table 30. | Effect of low power modes on I/O ports . . . . .                | 62 |
| Table 31. | I/O port interrupt control/wake-up capability . . . . .         | 63 |
| Table 32. | Port configuration . . . . .                                    | 63 |
| Table 33. | I/O port register map and reset values . . . . .                | 63 |
| Table 34. | Effect of lower power modes on Watchdog . . . . .               | 68 |
| Table 35. | WDGCR register description . . . . .                            | 69 |
| Table 36. | Watchdog timer register map and reset values . . . . .          | 69 |
| Table 37. | Effect of low power modes on MCC/RTC . . . . .                  | 71 |
| Table 38. | MCC/RTC interrupt control/wake-up capability . . . . .          | 71 |
| Table 39. | MCCSR register description . . . . .                            | 71 |
| Table 40. | Time base selection . . . . .                                   | 72 |
| Table 41. | MCCBCR register description . . . . .                           | 73 |
| Table 42. | Beep frequency selection . . . . .                              | 73 |
| Table 43. | Main clock controller register map and reset values . . . . .   | 73 |
| Table 44. | Input capture byte distribution . . . . .                       | 79 |
| Table 45. | Output compare byte distribution . . . . .                      | 81 |
| Table 46. | Effect of low power modes on 16-bit timer . . . . .             | 88 |
| Table 47. | 16-bit timer interrupt control/wake-up capability . . . . .     | 88 |
| Table 48. | Summary of timer modes . . . . .                                | 89 |

|            |   |     |
|------------|---|-----|
| Table 49.  | CR1 register description . . . . .  | 89  |
| Table 50.  | CR2 register description . . . . .  | 91  |
| Table 51.  | CSR register description . . . . .  | 92  |
| Table 52.  | 16-bit timer register map and reset values . . . . .  | 96  |
| Table 53.  | Effect of low power modes on SPI . . . . .  | 105 |
| Table 54.  | SPI interrupt control/wake-up capability . . . . .  | 105 |
| Table 55.  | SPICR register description . . . . .  | 106 |
| Table 56.  | SPI master mode SCK frequency . . . . .   | 107 |
| Table 57.  | SPICSR register description . . . . .   | 108 |
| Table 58.  | SPI register map and reset values . . . . .   | 109 |
| Table 59.  | Frame formats . . . . .   | 119 |
| Table 60.  | Effect of low power modes on SCI . . . . .  | 122 |
| Table 61.  | SCI interrupt control/wake-up capability . . . . .  | 122 |
| Table 62.  | SCISR register description . . . . .  | 123 |
| Table 63.  | SCICR1 register description . . . . .   | 124 |
| Table 64.  | SCICR2 register description . . . . .   | 125 |
| Table 65.  | SCIBRR register description . . . . .   | 127 |
| Table 66.  | SCIERPR register description . . . . .  | 128 |
| Table 67.  | SCIETPR register description . . . . .  | 129 |
| Table 68.  | Baud rate selection . . . . .   | 129 |
| Table 69.  | SCI register map and reset values . . . . .   | 130 |
| Table 70.  | Effect of low power modes on ADC . . . . .  | 133 |
| Table 71.  | ADCCSR register description . . . . .   | 133 |
| Table 72.  | ADCDRH register description . . . . .   | 134 |
| Table 73.  | ADCDRL register description . . . . .   | 135 |
| Table 74.  | ADC register map and reset values . . . . .   | 135 |
| Table 75.  | Addressing mode groups . . . . .  | 136 |
| Table 76.  | CPU addressing mode overview . . . . .  | 136 |
| Table 77.  | Inherent instructions . . . . .   | 137 |
| Table 78.  | Immediate instructions . . . . .  | 138 |
| Table 79.  | Instructions supporting direct, indexed, indirect and indirect indexed addressing modes . . . . . | 139 |
| Table 80.  | Relative direct and indirect instructions and functions . . . . .                                 | 140 |
| Table 81.  | Instruction groups . . . . .  | 140 |
| Table 82.  | Instruction set overview . . . . .  | 143 |
| Table 83.  | Voltage characteristics . . . . .   | 146 |
| Table 84.  | Current characteristics . . . . .   | 147 |
| Table 85.  | Thermal characteristics . . . . .   | 147 |
| Table 86.  | Operating conditions . . . . .  | 148 |
| Table 87.  | Operating conditions with LVD . . . . .   | 149 |
| Table 88.  | AVD thresholds . . . . .  | 149 |
| Table 89.  | ROM current consumption . . . . .   | 150 |
| Table 90.  | Flash current consumption . . . . .   | 151 |
| Table 91.  | Oscillators, PLL and LVD current consumption . . . . .  | 152 |
| Table 92.  | On-chip peripherals current consumption . . . . .   | 152 |
| Table 93.  | General timings . . . . .   | 153 |
| Table 94.  | External clock source . . . . .   | 153 |
| Table 95.  | Crystal and ceramic resonator oscillators . . . . .   | 154 |
| Table 96.  | OSCRANGE selection for typical resonators . . . . .   | 155 |
| Table 97.  | RC oscillators . . . . .  | 155 |
| Table 98.  | PLL characteristics . . . . .   | 156 |
| Table 99.  | RAM and hardware registers . . . . .  | 156 |
| Table 100. | Dual voltage HDFlash memory . . . . .   | 157 |

|            |  |     |
|------------|--|-----|
| Table 101. | EMS test results . . . . .                                     | 159 |
| Table 102. | EMI emissions . . . . .  | 159 |
| Table 103. | Absolute maximum ratings . . . . .                             | 160 |
| Table 104. | Electrical sensitivities . . . . .                             | 161 |
| Table 105. | General characteristics . . . . .                              | 162 |
| Table 106. | Output driving current . . . . .                               | 163 |
| Table 107. | Asynchronous RESET pin . . . . .                               | 166 |
| Table 108. | ICCSEL/V <sub>PP</sub> pin . . . . .                           | 168 |
| Table 109. | 16-bit timer . . . . .   | 168 |
| Table 110. | SPI characteristics . . . . .                                  | 169 |
| Table 111. | 10-bit ADC characteristics . . . . .                           | 171 |
| Table 112. | ADC accuracy . . . . .   | 174 |
| Table 113. | 44-pin low profile quad flat package mechanical data . . . . . | 175 |
| Table 114. | 32-pin low profile quad flat package mechanical data . . . . . | 176 |
| Table 115. | Thermal characteristics . . . . .                              | 178 |
| Table 116. | Flash option bytes . . . . .                                   | 179 |
| Table 117. | Option byte 0 bit description . . . . .                        | 179 |
| Table 118. | Option byte 1 bit description . . . . .                        | 180 |
| Table 119. | Package selection (OPT7) . . . . .                             | 181 |
| Table 120. | STMicroelectronics development tools . . . . .                 | 188 |
| Table 121. | Suggested list of socket types . . . . .                       | 188 |
| Table 122. | Port A and F configuration . . . . .                           | 194 |
| Table 123. | Document revision history . . . . .                            | 195 |

## List of figures

|            |  |    |
|------------|--|----|
| Figure 1.  | Device block diagram . . . . .   | 14 |
| Figure 2.  | 44-pin LQFP package pinout . . . . .   | 15 |
| Figure 3.  | 32-pin LQFP package pinout . . . . .   | 15 |
| Figure 4.  | Memory map . . . . .   | 19 |
| Figure 5.  | Memory map and sector address . . . . .  | 23 |
| Figure 6.  | Typical ICC interface . . . . .  | 24 |
| Figure 7.  | CPU registers . . . . .  | 26 |
| Figure 8.  | Stack manipulation example . . . . .   | 30 |
| Figure 9.  | PLL block diagram . . . . .  | 31 |
| Figure 10. | Clock, reset and supply block diagram . . . . .  | 32 |
| Figure 11. | Reset sequence phases . . . . .  | 34 |
| Figure 12. | Reset block diagram . . . . .  | 35 |
| Figure 13. | RESET sequences . . . . .  | 36 |
| Figure 14. | Low voltage detector vs reset . . . . .  | 37 |
| Figure 15. | Using the AVD to monitor $V_{DD}$ . . . . .  | 38 |
| Figure 16. | Interrupt processing flowchart . . . . .   | 42 |
| Figure 17. | Priority decision process flowchart . . . . .  | 42 |
| Figure 18. | Concurrent interrupt management . . . . .  | 44 |
| Figure 19. | Nested interrupt management . . . . .  | 45 |
| Figure 20. | External interrupt control bits . . . . .  | 48 |
| Figure 21. | Power saving mode transitions . . . . .  | 52 |
| Figure 22. | Slow mode clock transitions . . . . .  | 53 |
| Figure 23. | Wait mode flowchart . . . . .  | 53 |
| Figure 24. | Active Halt timing overview . . . . .  | 54 |
| Figure 25. | Active Halt mode flowchart . . . . .   | 55 |
| Figure 26. | HALT timing overview . . . . .   | 56 |
| Figure 27. | Halt mode flowchart . . . . .  | 56 |
| Figure 28. | I/O port general block diagram . . . . .   | 60 |
| Figure 29. | Interrupt I/O port state transitions . . . . .   | 62 |
| Figure 30. | Watchdog block diagram . . . . .   | 66 |
| Figure 31. | Approximate timeout duration . . . . .   | 66 |
| Figure 32. | Exact timeout duration ( $t_{min}$ and $t_{max}$ ) . . . . .                                 | 67 |
| Figure 33. | Main clock controller (MCC/RTC) block diagram . . . . .                                      | 70 |
| Figure 34. | Timer block diagram . . . . .  | 76 |
| Figure 35. | 16-bit read sequence . . . . .   | 77 |
| Figure 36. | Counter timing diagram, internal clock divided by 2 . . . . .                                | 78 |
| Figure 37. | Counter timing diagram, internal clock divided by 4 . . . . .                                | 78 |
| Figure 38. | Counter timing diagram, internal clock divided by 8 . . . . .                                | 78 |
| Figure 39. | Input capture block diagram . . . . .  | 80 |
| Figure 40. | Input capture timing diagram . . . . .   | 80 |
| Figure 41. | Output compare block diagram . . . . .   | 83 |
| Figure 42. | Output compare timing diagram, $f_{TIMER} = f_{CPU}/2$ . . . . .                             | 83 |
| Figure 43. | Output compare timing diagram, $f_{TIMER} = f_{CPU}/4$ . . . . .                             | 83 |
| Figure 44. | One pulse mode cycle . . . . .   | 84 |
| Figure 45. | One Pulse mode timing example(1) . . . . .   | 85 |
| Figure 46. | Pulse width modulation mode timing example with two output compare functions(1)(2) . . . . . | 86 |
| Figure 47. | Pulse width modulation cycle . . . . .   | 87 |
| Figure 48. | Serial peripheral interface block diagram . . . . .  | 98 |

|            |  |     |
|------------|--|-----|
| Figure 49. | Single master/single slave application   | 99  |
| Figure 50. | Generic SS timing diagram  | 100 |
| Figure 51. | Hardware/software slave select management  | 100 |
| Figure 52. | Data clock timing diagram(1)   | 102 |
| Figure 53. | Clearing the WCOL bit (Write Collision flag) software sequence                             | 104 |
| Figure 54. | Single master/multiple slave configuration   | 104 |
| Figure 55. | SCI block diagram  | 112 |
| Figure 56. | Word length programming  | 113 |
| Figure 57. | SCI baud rate and extended prescaler block diagram   | 117 |
| Figure 58. | Bit sampling in Reception mode   | 121 |
| Figure 59. | ADC block diagram  | 131 |
| Figure 60. | Pin loading conditions   | 145 |
| Figure 61. | Pin input voltage  | 146 |
| Figure 62. | $f_{CPU}$ max versus $V_{DD}$  | 148 |
| Figure 63. | Typical application with an external clock source  | 153 |
| Figure 64. | Typical application with a crystal or ceramic resonator (8/16 Kbyte Flash and ROM devices) | 154 |
| Figure 65. | Typical application with a crystal or ceramic resonator (32 Kbyte Flash and ROM devices)   | 155 |
| Figure 66. | Typical $f_{OSC(RCINT)}$ vs $T_A$  | 155 |
| Figure 67. | Integrated PLL jitter vs signal frequency(1)   | 156 |
| Figure 68. | Unused I/O pins configured as input(1)   | 163 |
| Figure 69. | Typical $I_{PU}$ vs. $V_{DD}$ with $V_{IN} = V_{SS}$                                       | 163 |
| Figure 70. | Typical $V_{OL}$ at $V_{DD} = 5V$ (standard ports)   | 164 |
| Figure 71. | Typical $V_{OL}$ at $V_{DD} = 5V$ (high-sink ports)  | 164 |
| Figure 72. | Typical $V_{OH}$ at $V_{DD} = 5V$  | 164 |
| Figure 73. | Typical $V_{OL}$ vs. $V_{DD}$ (standard ports)   | 165 |
| Figure 74. | Typical $V_{OL}$ vs. $V_{DD}$ (high-sink ports)  | 165 |
| Figure 75. | Typical $V_{OH}$ vs. $V_{DD}$  | 165 |
| Figure 76. | RESET pin protection when LVD is enabled(1)(2)(3)(4)(5)(6)                                 | 167 |
| Figure 77. | RESET pin protection when LVD is disabled(1)(2)(3)(4)                                      | 167 |
| Figure 78. | Two typical applications with ICCSEL/ $V_{PP}$ pin(1)                                      | 168 |
| Figure 79. | SPI slave timing diagram with CPHA = 0(1)  | 170 |
| Figure 80. | SPI slave timing diagram with CPHA = 1(1)  | 170 |
| Figure 81. | SPI master timing diagram(1)   | 171 |
| Figure 82. | $R_{AIN}$ max. vs $f_{ADC}$ with $C_{AIN} = 0pF$ (1)                                       | 172 |
| Figure 83. | Recommended $C_{AIN}$ and $R_{AIN}$ values(1)  | 172 |
| Figure 84. | Typical A/D converter application  | 172 |
| Figure 85. | Power supply filtering   | 173 |
| Figure 86. | ADC accuracy characteristics   | 174 |
| Figure 87. | 44-pin low profile quad flat package outline   | 175 |
| Figure 88. | 32-pin low profile quad flat package outline   | 176 |
| Figure 89. | pin 1 orientation in tape and reel conditioning  | 178 |
| Figure 90. | ST72F324Bxx-Auto Flash commercial product structure  | 182 |
| Figure 91. | ST72P324Bxx-Auto FastROM commercial product structure                                      | 184 |
| Figure 92. | ST72324Bxx-Auto ROM commercial product structure   | 185 |

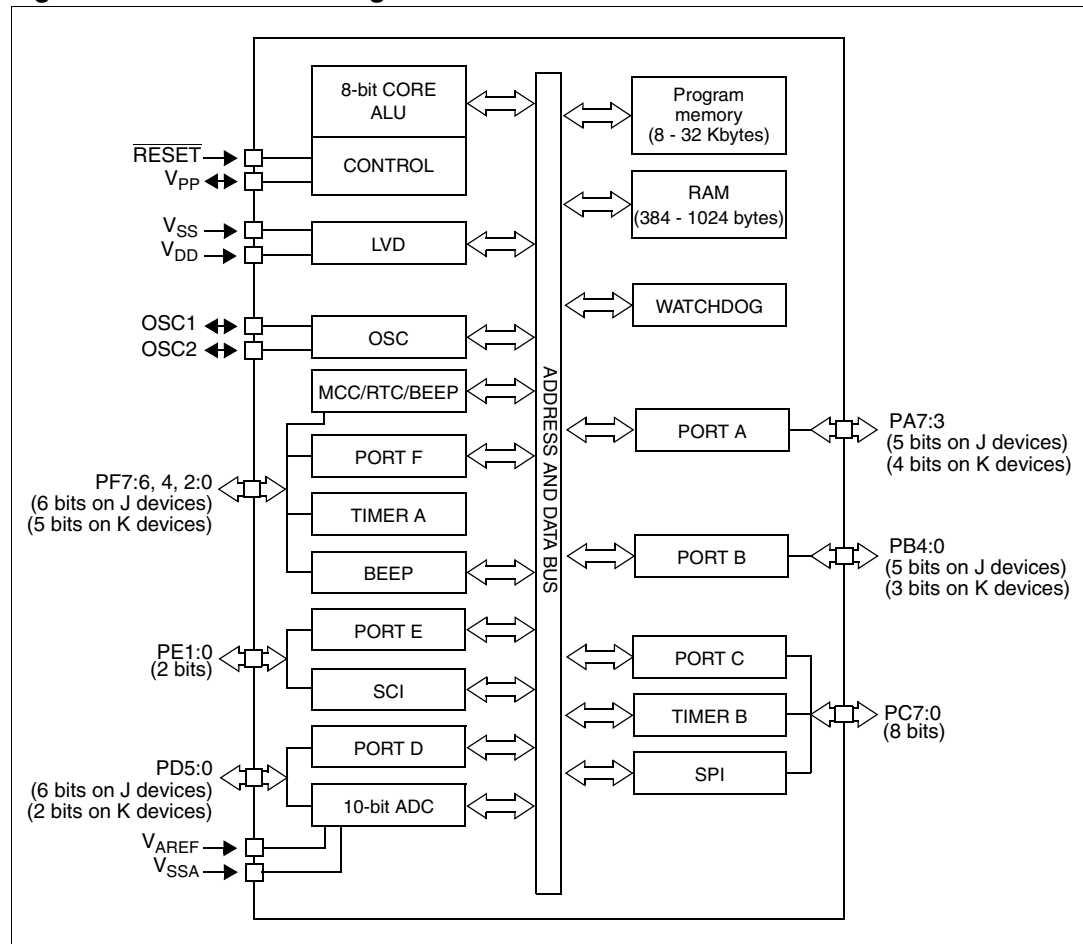
# 1 Description

The ST72324B-Auto devices are members of the ST7 microcontroller family designed for mid-range automotive applications running from 3.8 to 5.5V. Different package options offer up to 32 I/O pins.

All devices are based on a common industry-standard 8-bit core, featuring an enhanced instruction set and are available with Flash or ROM program memory. The ST7 family architecture offers both power and flexibility to software developers, enabling the design of highly efficient and compact application code.

The on-chip peripherals include an A/D converter, two general purpose timers, an SPI interface and an SCI interface. For power economy, the microcontroller can switch dynamically into, Slow, Wait, Active Halt or Halt mode when the application is in idle or stand-by state.

**Figure 1. Device block diagram**



Typical applications include

- all types of car body applications such as window lift, DC motor control, rain sensors
- safety microcontroller in airbag and engine management applications
- auxiliary functions in car radios

## 2 Pin description

Figure 2. 44-pin LQFP package pinout

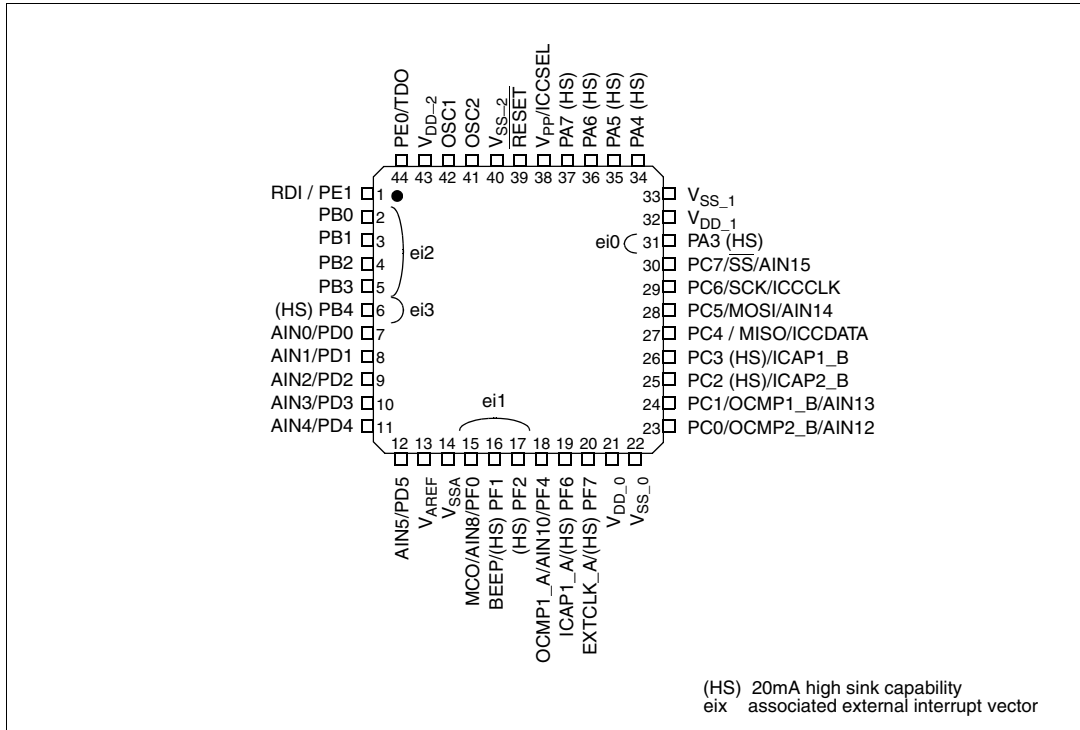
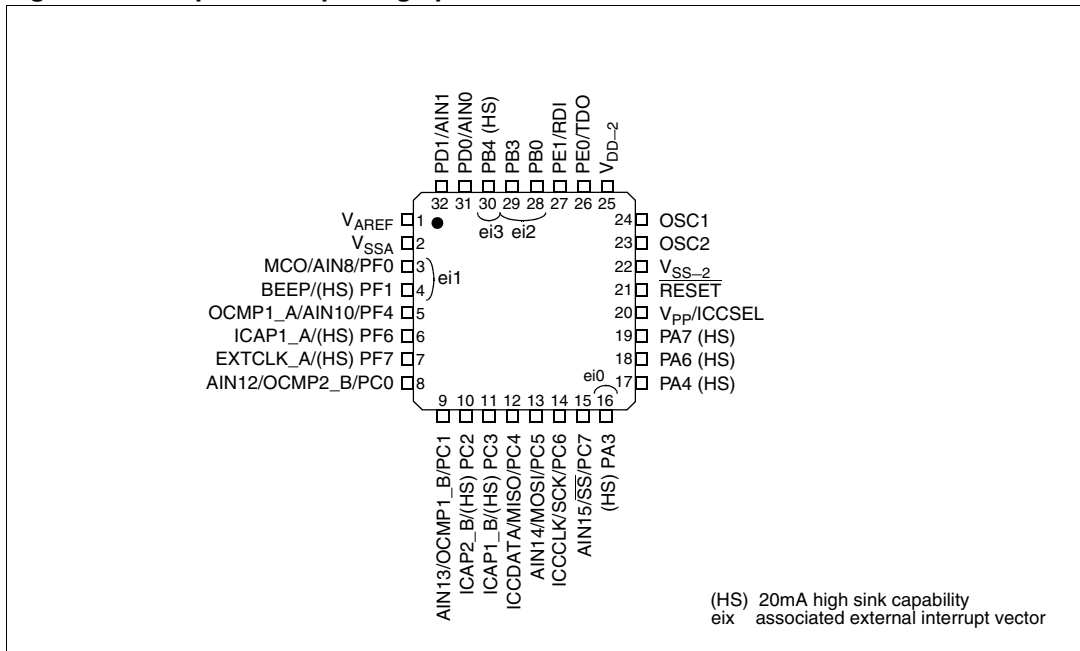


Figure 3. 32-pin LQFP package pinout



See [Section 12: Electrical characteristics on page 145](#) for external pin connection guidelines.

Refer to [Section 9: I/O ports on page 58](#) for more details on the software configuration of the I/O ports.

The reset configuration of each pin is shown in bold. This configuration is valid as long as the device is in reset state.

**Table 2. Device pin description**

| Pin    |        | Level                            | Port |                |        |          |     |     |     |        | Main function (after reset) | Alternate function               |                                    |                     |
|--------|--------|----------------------------------|------|----------------|--------|----------|-----|-----|-----|--------|-----------------------------|----------------------------------|------------------------------------|---------------------|
| No.    | Name   |                                  | Type | Input          | Output | Input    |     |     |     | Output |                             |                                  |                                    |                     |
|        |        |                                  |      |                |        | float    | wpu | int | ana | OD     |                             |                                  | PP                                 |                     |
| LQFP44 | LQFP32 |                                  |      |                |        |          |     |     |     |        |                             |                                  |                                    |                     |
| 6      | 30     | PB4 (HS)                         | I/O  | C <sub>T</sub> | HS     | <b>X</b> |     | ei3 |     | X      | X                           | Port B4                          |                                    |                     |
| 7      | 31     | PD0/AIN0                         | I/O  | C <sub>T</sub> |        | <b>X</b> | X   |     | X   | X      | X                           | Port D0                          | ADC analog input 0                 |                     |
| 8      | 32     | PD1/AIN1                         | I/O  | C <sub>T</sub> |        | <b>X</b> | X   |     | X   | X      | X                           | Port D1                          | ADC analog input 1                 |                     |
| 9      | -      | PD2/AIN2                         | I/O  | C <sub>T</sub> |        | <b>X</b> | X   |     | X   | X      | X                           | Port D2                          | ADC analog input 2                 |                     |
| 10     | -      | PD3/AIN3                         | I/O  | C <sub>T</sub> |        | <b>X</b> | X   |     | X   | X      | X                           | Port D3                          | ADC analog input 3                 |                     |
| 11     | -      | PD4/AIN4                         | I/O  | C <sub>T</sub> |        | <b>X</b> | X   |     | X   | X      | X                           | Port D4                          | ADC analog input 4                 |                     |
| 12     | -      | PD5/AIN5                         | I/O  | C <sub>T</sub> |        | <b>X</b> | X   |     | X   | X      | X                           | Port D5                          | ADC analog input 5                 |                     |
| 13     | 1      | V <sub>AREF</sub> <sup>(1)</sup> | S    |                |        |          |     |     |     |        |                             | Analog reference voltage for ADC |                                    |                     |
| 14     | 2      | V <sub>SSA</sub> <sup>(1)</sup>  | S    |                |        |          |     |     |     |        |                             | Analog ground voltage            |                                    |                     |
| 15     | 3      | PF0/MCO/AIN8                     | I/O  | C <sub>T</sub> |        | <b>X</b> |     | ei1 | X   | X      | X                           | Port F0                          | Main clock out (f <sub>CPU</sub> ) | ADC analog input 8  |
| 16     | 4      | PF1 (HS)/BEEP                    | I/O  | C <sub>T</sub> | HS     | <b>X</b> |     | ei1 |     | X      | X                           | Port F1                          | Beep signal output                 |                     |
| 17     | -      | PF2 (HS)                         | I/O  | C <sub>T</sub> | HS     | <b>X</b> |     | ei1 |     | X      | X                           | Port F2                          |                                    |                     |
| 18     | 5      | PF4/OCMP1_A /AIN10               | I/O  | C <sub>T</sub> |        | <b>X</b> | X   |     | X   | X      | X                           | Port F4                          | Timer A output compare 1           | ADC analog Input 10 |
| 19     | 6      | PF6 (HS)/ICAP1_A                 | I/O  | C <sub>T</sub> | HS     | <b>X</b> | X   |     |     | X      | X                           | Port F6                          | Timer A input capture 1            |                     |
| 20     | 7      | PF7 (HS)/EXTCLK_A                | I/O  | C <sub>T</sub> | HS     | <b>X</b> | X   |     |     | X      | X                           | Port F7                          | Timer A external clock source      |                     |
| 21     | -      | V <sub>DD_0</sub> <sup>(1)</sup> | S    |                |        |          |     |     |     |        |                             | Digital main supply voltage      |                                    |                     |
| 22     | -      | V <sub>SS_0</sub> <sup>(1)</sup> | S    |                |        |          |     |     |     |        |                             | Digital ground voltage           |                                    |                     |
| 23     | 8      | PC0/OCMP2_B /AIN12               | I/O  | C <sub>T</sub> |        | <b>X</b> | X   |     | X   | X      | X                           | Port C0                          | Timer B output compare 2           | ADC analog input 12 |
| 24     | 9      | PC1/OCMP1_B /AIN13               | I/O  | C <sub>T</sub> |        | <b>X</b> | X   |     | X   | X      | X                           | Port C1                          | Timer B output compare 1           | ADC analog input 13 |
| 25     | 10     | PC2 (HS)/ICAP2_B                 | I/O  | C <sub>T</sub> | HS     | <b>X</b> | X   |     |     | X      | X                           | Port C2                          | Timer B input capture 2            |                     |





Table 2. Device pin description (continued)

| Pin |        | Name                             | Type | Level          |       | Port   |       |     |     |     |        | Main function (after reset) | Alternate function     |  |    |
|-----|--------|----------------------------------|------|----------------|-------|--------|-------|-----|-----|-----|--------|-----------------------------|------------------------|--|----|
| No. | LQFP44 |                                  |      | LQFP32         | Input | Output | Input |     |     |     | Output |                             |                        |  |    |
|     |        |                                  |      |                |       |        | float | wpu | int | ana | OD     |                             |                        |  | PP |
| 26  | 11     | PC3 (HS)/ICAP1_B                 | I/O  | C <sub>T</sub> | HS    | X      | X     |     |     |     | X      | X                           | Port C3                | Timer B input capture 1  |    |
| 27  | 12     | PC4/MISO/ICCD ATA                | I/O  | C <sub>T</sub> |       | X      | X     |     |     |     | X      | X                           | Port C4                | SPI master in/slave out data<br>ICC data input   |    |
| 28  | 13     | PC5/MOSI /AIN14                  | I/O  | C <sub>T</sub> |       | X      | X     |     | X   | X   | X      | X                           | Port C5                | SPI master out/slave in data<br>ADC analog input 14  |    |
| 29  | 14     | PC6/SCK /ICCCLK                  | I/O  | C <sub>T</sub> |       | X      | X     |     |     |     | X      | X                           | Port C6                | SPI serial clock<br>ICC clock output   |    |
| 30  | 15     | PC7/ $\overline{SS}$ /AIN15      | I/O  | C <sub>T</sub> |       | X      | X     |     | X   | X   | X      | X                           | Port C7                | SPI slave select (active low)<br>ADC analog input 15   |    |
| 31  | 16     | PA3 (HS)                         | I/O  | C <sub>T</sub> | HS    | X      |       | ei0 |     |     | X      | X                           | Port A3                |  |    |
| 32  | -      | V <sub>DD_1</sub> <sup>(1)</sup> | S    |                |       |        |       |     |     |     |        |                             |                        | Digital main supply voltage  |    |
| 33  | -      | V <sub>SS_1</sub> <sup>(1)</sup> | S    |                |       |        |       |     |     |     |        |                             |                        | Digital ground voltage   |    |
| 34  | 17     | PA4 (HS)                         | I/O  | C <sub>T</sub> | HS    | X      | X     |     |     |     | X      | X                           | Port A4                |  |    |
| 35  | -      | PA5 (HS)                         | I/O  | C <sub>T</sub> | HS    | X      | X     |     |     |     | X      | X                           | Port A5                |  |    |
| 36  | 18     | PA6 (HS)                         | I/O  | C <sub>T</sub> | HS    | X      |       |     |     |     | T      |                             | Port A6 <sup>(2)</sup> |  |    |
| 37  | 19     | PA7 (HS)                         | I/O  | C <sub>T</sub> | HS    | X      |       |     |     |     | T      |                             | Port A7 <sup>(2)</sup> |  |    |
| 38  | 20     | V <sub>PP</sub> /ICCSEL          | I    |                |       |        |       |     |     |     |        |                             |                        | Must be tied low. In the Flash programming mode, this pin acts as the programming voltage input V <sub>PP</sub> . See <a href="#">Section 12.10.2</a> for more details. High voltage must not be applied to ROM devices. |    |
| 39  | 21     | $\overline{RESET}$               | I/O  | C <sub>T</sub> |       |        |       |     |     |     |        |                             |                        | Top priority non-maskable interrupt  |    |
| 40  | 22     | V <sub>SS_2</sub> <sup>(1)</sup> | S    |                |       |        |       |     |     |     |        |                             |                        | Digital ground voltage   |    |
| 41  | 23     | OSC2 <sup>(3)</sup>              | O    |                |       |        |       |     |     |     |        |                             |                        | Resonator oscillator inverter output   |    |
| 42  | 24     | OSC1 <sup>(3)</sup>              | I    |                |       |        |       |     |     |     |        |                             |                        | External clock input or resonator oscillator inverter input  |    |
| 43  | 25     | V <sub>DD_2</sub> <sup>(1)</sup> | S    |                |       |        |       |     |     |     |        |                             |                        | Digital main supply voltage  |    |
| 44  | 26     | PE0/TDO                          | I/O  | C <sub>T</sub> |       | X      | X     |     |     |     | X      | X                           | Port E0                | SCI transmit data out  |    |
| 1   | 27     | PE1/RDI                          | I/O  | C <sub>T</sub> |       | X      | X     |     |     |     | X      | X                           | Port E1                | SCI receive data in  |    |

**Table 2. Device pin description (continued)**

| Pin    |        | Name | Type | Level          |        | Port  |     |     |     |        |    | Main function (after reset) | Alternate function |  |
|--------|--------|------|------|----------------|--------|-------|-----|-----|-----|--------|----|-----------------------------|--------------------|--|
| No.    |        |      |      | Input          | Output | Input |     |     |     | Output |    |                             |                    |  |
| LQFP44 | LQFP32 |      |      |                |        | float | wpu | int | ana | OD     | PP |                             |                    |  |
| 2      | 28     | PB0  | I/O  | C <sub>T</sub> |        | X     |     | ei2 |     |        | X  | X                           | Port B0            | <b>Caution:</b> Negative current injection not allowed on this pin on 8/16 Kbyte Flash devices. <sup>(4)</sup> |
| 3      | -      | PB1  | I/O  | C <sub>T</sub> |        | X     |     | ei2 |     |        | X  | X                           | Port B1            |  |
| 4      | -      | PB2  | I/O  | C <sub>T</sub> |        | X     |     | ei2 |     |        | X  | X                           | Port B2            |  |
| 5      | 29     | PB3  | I/O  | C <sub>T</sub> |        | X     |     | ei2 |     |        | X  | X                           | Port B3            |  |

1. It is mandatory to connect all available V<sub>DD</sub> and V<sub>REF</sub> pins to the supply voltage and all V<sub>SS</sub> and V<sub>SSA</sub> pins to ground.
2. On the chip, each I/O port has eight pads. Pads that are not bonded to external pins are in input pull-up configuration after reset. The configuration of these pads must be kept at reset state to avoid added current consumption..
3. OSC1 and OSC2 pins connect a crystal/ceramic resonator, or an external source to the on-chip oscillator; see [Section 1: Description](#) and [Section 12.6: Clock and timing characteristics](#) for more details.
4. For details refer to [Section 12.9.1 on page 162](#)

Legend / Abbreviations for [Table 2:](#)

Type: I = input, O = output, S = supply

Input level: A = Dedicated analog input

In/Output level: C = CMOS 0.3V<sub>DD</sub>/0.7V<sub>DD</sub>

C<sub>T</sub> = CMOS 0.3V<sub>DD</sub>/0.7V<sub>DD</sub> with input trigger

Output level: HS = 20mA high sink (on N-buffer only)

Port and control configuration:

Input: float = floating, wpu = weak pull-up, int = interrupt<sup>(a)</sup>, ana = analog ports

Output: OD = open drain<sup>(b)</sup>, PP = push-pull

- a. In the interrupt input column, “eiX” defines the associated external interrupt vector. If the weak pull-up column (wpu) is merged with the interrupt column (int), then the I/O configuration is pull-up interrupt input, else the configuration is floating interrupt input.
- b. In the open drain output column, “T” defines a true open drain I/O (P-Buffer and protection diode to V<sub>DD</sub> are not implemented). See [Section 9: I/O ports](#) and [Section 12.9: I/O port pin characteristics](#) for more details.



### 3 Register and memory map

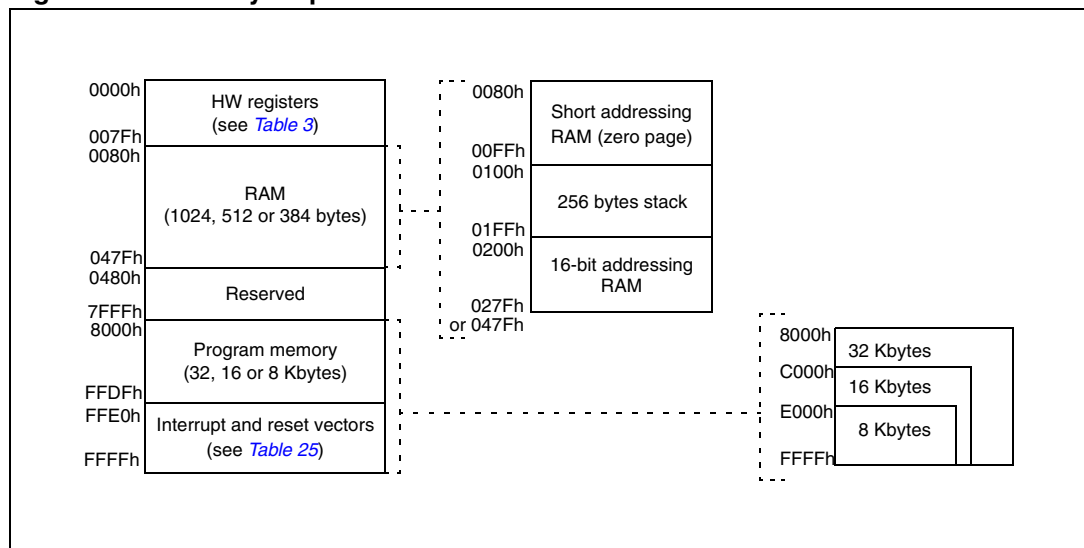
As shown in [Figure 4](#) the MCU is capable of addressing 64 Kbytes of memories and I/O registers.

The available memory locations consist of 128 bytes of register locations, up to 1024 bytes of RAM and up to 32 Kbytes of user program memory. The RAM space includes up to 256 bytes for the stack from 0100h to 01FFh.

The highest address bytes contain the user reset and interrupt vectors.

**Caution:** Never access memory locations marked as ‘Reserved’. Accessing a reserved area can have unpredictable effects on the device.

**Figure 4. Memory map**



**Table 3. Hardware register map**

| Address                 | Block                 | Register label         | Register name  | Reset status <sup>(1)</sup>      | Remarks <sup>(1)</sup>                          |
|-------------------------|-----------------------|------------------------|--|----------------------------------|---|
| 0000h<br>0001h<br>0002h | Port A <sup>(2)</sup> | PADR<br>PADDR<br>PAOR  | Port A data register<br>Port A data direction register<br>Port A option register | 00h <sup>(3)</sup><br>00h<br>00h | R/W<br>R/W<br>R/W                               |
| 0003h<br>0004h<br>0005h | Port B <sup>(1)</sup> | PBDR<br>PBDDR<br>PBOR  | Port B data register<br>Port B data direction register<br>Port B option register | 00h <sup>(2)</sup><br>00h<br>00h | R/W<br>R/W<br>R/W                               |
| 0006h<br>0007h<br>0008h | Port C                | PCDR<br>PCDDR<br>PCOR  | Port C data register<br>Port C data direction register<br>Port C option register | 00h <sup>(2)</sup><br>00h<br>00h | R/W<br>R/W<br>R/W                               |
| 0009h<br>000Ah<br>000Bh | Port D <sup>(1)</sup> | PDADR<br>PDDDR<br>PDOR | Port D data register<br>Port D data direction register<br>Port D option register | 00h <sup>(2)</sup><br>00h<br>00h | R/W<br>R/W<br>R/W                               |
| 000Ch<br>000Dh<br>000Eh | Port E <sup>(1)</sup> | PEDR<br>PEDDR<br>PEOR  | Port E data register<br>Port E data direction register<br>Port E option register | 00h <sup>(2)</sup><br>00h<br>00h | R/W<br>R/W <sup>(1)</sup><br>R/W <sup>(1)</sup> |

Table 3. Hardware register map (continued)

| Address   | Block                    | Register label                        | Register name                                | Reset status <sup>(1)</sup> | Remarks <sup>(1)</sup> |
|---|--------------------------|---------------------------------------|--|-----------------------------|------------------------|
| 000Fh<br>0010h<br>0011h   | Port F <sup>(1)</sup>    | PFDR                                  | Port F data register                         | 00h <sup>(2)</sup>          | R/W                    |
|   |                          | PFDDR                                 | Port F data direction register               | 00h                         | R/W                    |
|   |                          | PFOR                                  | Port F option register                       | 00h                         | R/W                    |
| 0012h to<br>0020h   | Reserved area (15 bytes) |                                       |  |                             |                        |
| 0021h<br>0022h<br>0023h   | SPI                      | SPIDR                                 | SPI data I/O register                        | xxh                         | R/W                    |
|   |                          | SPICR                                 | SPI control register                         | 0xh                         | R/W                    |
|   |                          | SPICSR                                | SPI control/status register                  | 00h                         | R/W                    |
| 0024h<br>0025h<br>0026h<br>0027h  | ITC                      | ISPR0                                 | Interrupt software priority register 0       | FFh                         | R/W                    |
|   |                          | ISPR1                                 | Interrupt software priority register 1       | FFh                         | R/W                    |
|   |                          | ISPR2                                 | Interrupt software priority register 2       | FFh                         | R/W                    |
|   |                          | ISPR3                                 | Interrupt software priority register 3       | FFh                         | R/W                    |
| 0028h   |                          | EICR                                  | External interrupt control register          | 00h                         | R/W                    |
| 0029h   | Flash                    | FCSR                                  | Flash control/status register                | 00h                         | R/W                    |
| 002Ah   | Watchdog                 | WDGCR                                 | Watchdog control register                    | 7Fh                         | R/W                    |
| 002Bh   | SI                       | SICSR                                 | System integrity control/status register     | 000x 000xb                  | R/W                    |
| 002Ch<br>002Dh  | MCC                      | MCCSR                                 | Main clock control/status register           | 00h                         | R/W                    |
|   |                          | MCCBCR                                | Main clock controller: beep control register | 00h                         | R/W                    |
| 002Eh to<br>0030h   | Reserved area (3 bytes)  |                                       |  |                             |                        |
| 0031h<br>0032h<br>0033h<br>0034h<br>0035h<br>0036h<br>0037h<br>0038h<br>0039h<br>003Ah<br>003Bh<br>003Ch<br>003Dh<br>003Eh<br>003Fh | Timer A                  | TACR2                                 | Timer A control register 2                   | 00h                         | R/W                    |
|   |                          | TACR1                                 | Timer A control register 1                   | 00h                         | R/W                    |
|   |                          | TACSR                                 | Timer A control/status register              | xxxx x0xxb                  | R/W                    |
|   |                          | TAIC1HR                               | Timer A input capture 1 high register        | xxh                         | Read only              |
|   |                          | TAIC1LR                               | Timer A input capture 1 low register         | xxh                         | Read only              |
|   |                          | TAOC1HR                               | Timer A output compare 1 high register       | 80h                         | R/W                    |
|   |                          | TAOC1LR                               | Timer A output compare 1 low register        | 00h                         | R/W                    |
|   |                          | TACHR                                 | Timer A counter high register                | FFh                         | Read only              |
|   |                          | TACLRL                                | Timer A counter low register                 | FCh                         | Read only              |
|   |                          | TAACHR                                | Timer A alternate counter high register      | FFh                         | Read only              |
|   |                          | TAACLRL                               | Timer A alternate counter low register       | FCh                         | Read only              |
|   |                          | TAIC2HR                               | Timer A input capture 2 high register        | xxh                         | Read only              |
|   |                          | TAIC2LR                               | Timer A input capture 2 low register         | xxh                         | Read only              |
|   |                          | TAOC2HR                               | Timer A output compare 2 high register       | 80h                         | R/W                    |
|   | TAOC2LR                  | Timer A output compare 2 low register | 00h  | R/W                         |                        |
| 0040h   | Reserved area (1 byte)   |                                       |  |                             |                        |

Table 3. Hardware register map (continued)

| Address        | Block                    | Register label                           | Register name                           | Reset status <sup>(1)</sup> | Remarks <sup>(1)</sup> |
|----------------|--------------------------|--|---|-----------------------------|------------------------|
| 0041h          | Timer B                  | TBCR2                                    | Timer B control register 2              | 00h                         | R/W                    |
| 0042h          |                          | TBCR1                                    | Timer B control register 1              | 00h                         | R/W                    |
| 0043h          |                          | TBCSR                                    | Timer B control/status register         | xxxx x0xxb                  | R/W                    |
| 0044h          |                          | TBIC1HR                                  | Timer B input capture 1 high register   | xxh                         | Read only              |
| 0045h          |                          | TBIC1LR                                  | Timer B input capture 1 low register    | xxh                         | Read only              |
| 0046h          |                          | TBOC1HR                                  | Timer B output compare 1 high register  | 80h                         | R/W                    |
| 0047h          |                          | TBOC1LR                                  | Timer B output compare 1 low register   | 00h                         | R/W                    |
| 0048h          |                          | TBCHR                                    | Timer B counter high register           | FFh                         | Read only              |
| 0049h          |                          | TBCLR                                    | Timer B counter low register            | FCh                         | Read only              |
| 004Ah          |                          | TBACHR                                   | Timer B alternate counter high register | FFh                         | Read only              |
| 004Bh          |                          | TBACLRL                                  | Timer B alternate counter low register  | FCh                         | Read only              |
| 004Ch          |                          | TBIC2HR                                  | Timer B input capture 2 high register   | xxh                         | Read only              |
| 004Dh          |                          | TBIC2LR                                  | Timer B input capture 2 low register    | xxh                         | Read only              |
| 004Eh          |                          | TBOC2HR                                  | Timer B output compare 2 high register  | 80h                         | R/W                    |
| 004Fh          |                          | TBOC2LR                                  | Timer B output compare 2 low register   | 00h                         | R/W                    |
| 0050h          | SCI                      | SCISR                                    | SCI status register                     | C0h                         | Read only              |
| 0051h          |                          | SCIDR                                    | SCI data register                       | xxh                         | R/W                    |
| 0052h          |                          | SCIBRR                                   | SCI baud rate register                  | 00h                         | R/W                    |
| 0053h          |                          | SCICR1                                   | SCI control register 1                  | x000 0000b                  | R/W                    |
| 0054h          |                          | SCICR2                                   | SCI control register 2                  | 00h                         | R/W                    |
| 0055h          |                          | SCIERPR                                  | SCI extended receive prescaler register | 00h                         | R/W                    |
| 0056h          |                          |  | Reserved area                           | ---                         |                        |
| 0057h          | SCIETPR                  | SCI extended transmit prescaler register | 00h                                     | R/W                         |                        |
| 0058h to 006Fh | Reserved area (24 bytes) |  |   |                             |                        |
| 0070h          | ADC                      | ADCCSR                                   | Control/status register                 | 00h                         | R/W                    |
| 0071h          |                          | ADCDRH                                   | Data high register                      | 00h                         | Read only              |
| 0072h          |                          | ADCDDL                                   | Data low register                       | 00h                         | Read only              |
| 0073h          | Reserved area (13 bytes) |  |   |                             |                        |
| 007Fh          |                          |  |   |                             |                        |

1. Legend: x = undefined, R/W = read/write.

2. The bits associated with unavailable pins must always keep their reset value.

3. The contents of the I/O port DR registers are readable only in output configuration. In input configuration, the values of the I/O pins are returned instead of the DR register contents.

## 4 Flash program memory

### 4.1 Introduction

The ST7 dual voltage High Density Flash (HDFlash) is a non-volatile memory that can be electrically erased as a single block or by individual sectors and programmed on a byte-by-byte basis using an external  $V_{PP}$  supply.

The HDFlash devices can be programmed and erased off-board (plugged in a programming tool) or on-board using ICP (in-circuit programming) or IAP (in-application programming).

The array matrix organization allows each sector to be erased and reprogrammed without affecting other sectors.

### 4.2 Main features

- 3 Flash programming modes:
  - Insertion in a programming tool. In this mode, all sectors including option bytes can be programmed or erased.
  - ICP (in-circuit programming). In this mode, all sectors including option bytes can be programmed or erased without removing the device from the application board.
  - IAP (in-application programming). In this mode, all sectors, except Sector 0, can be programmed or erased without removing the device from the application board and while the application is running.
- ICT (in-circuit testing) for downloading and executing user application test patterns in RAM
- Readout protection
- Register Access Security System (RASS) to prevent accidental programming or erasing

### 4.3 Structure

The Flash memory is organized in sectors and can be used for both code and data storage.

Depending on the overall Flash memory size in the microcontroller device, there are up to three user sectors (see [Table 4](#)). Each of these sectors can be erased independently to avoid unnecessary erasing of the whole Flash memory when only a partial erasing is required.

The first two sectors have a fixed size of 4 Kbytes (see [Figure 5](#)). They are mapped in the upper part of the ST7 addressing space so the reset and interrupt vectors are located in Sector 0 (F000h-FFFFh).

**Table 4. Sectors available in Flash devices**

| Flash size (bytes) | Available sectors |
|--------------------|-------------------|
| 4K                 | Sector 0          |
| 8K                 | Sectors 0, 1      |
| >8K                | Sectors 0, 1, 2   |

### 4.3.1 Readout protection

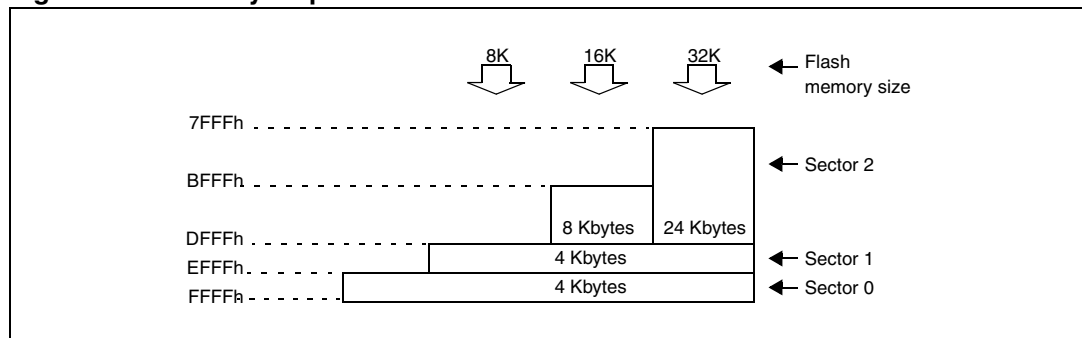
Readout protection, when selected, provides a protection against program memory content extraction and against write access to Flash memory. Even if no protection can be considered as totally unbreakable, the feature provides a very high level of protection for a general purpose microcontroller.

In Flash devices, this protection is removed by reprogramming the option. In this case, the entire program memory is first automatically erased.

Readout protection selection depends on the device type:

- In Flash devices it is enabled and removed through the FMP\_R bit in the option byte.
- In ROM devices it is enabled by mask option specified in the option list.

**Figure 5. Memory map and sector address**

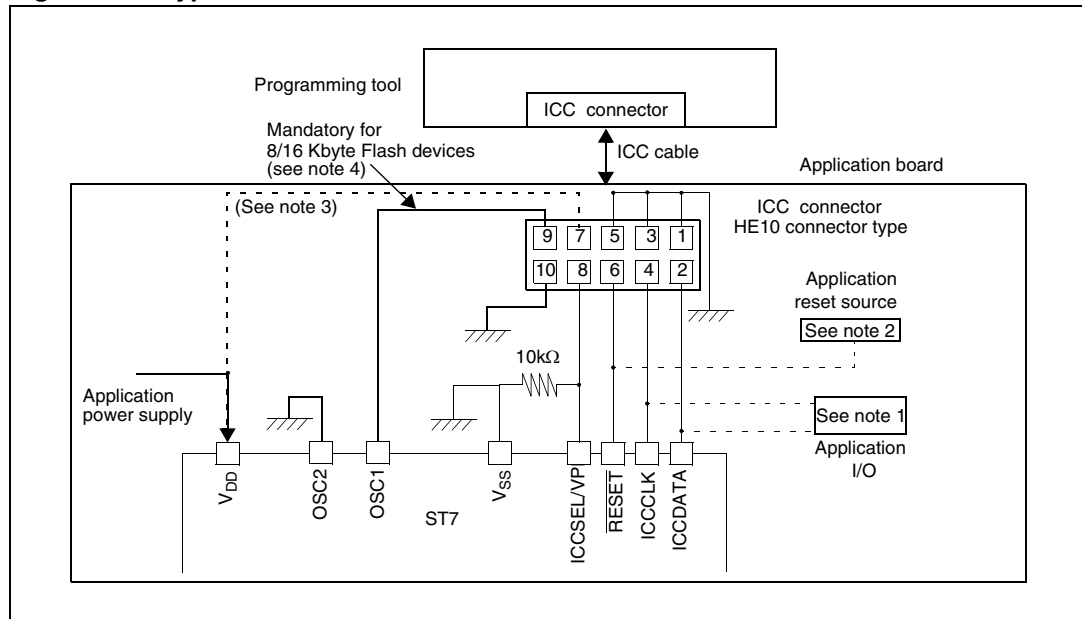


## 4.4 ICC interface

ICC needs a minimum of 4 and up to 6 pins to be connected to the programming tool (see [Figure 6](#)). These pins are:

- $\overline{\text{RESET}}$ : device reset
- $V_{SS}$ : device power supply ground
- ICCCLK: ICC output serial clock pin
- ICCDATA: ICC input/output serial data pin
- ICCSEL/ $V_{PP}$ : programming voltage
- OSC1 (or OSCIN): main clock input for external source (optional)
- $V_{DD}$ : application board power supply (optional, see [Figure 6](#), Note 3).

Figure 6. Typical ICC interface



1. If the ICCCLK or ICCDATA pins are only used as outputs in the application, no signal isolation is necessary. As soon as the programming tool is plugged to the board, even if an ICC session is not in progress, the ICCCLK and ICCDATA pins are not available for the application. If they are used as inputs by the application, isolation such as a serial resistor has to be implemented in case another device forces the signal. Refer to the Programming Tool documentation for recommended resistor values.
2. During the ICC session, the programming tool must control the RESET pin. This can lead to conflicts between the programming tool and the application reset circuit if it drives more than 5mA at high level (PUSH-pull output or pull-up resistor <1K). A schottky diode can be used to isolate the application reset circuit in this case. When using a classical RC network with  $R > 1K$  or a reset management IC with open drain output and pull-up resistor  $> 1K$ , no additional components are needed. In all cases the user must ensure that no external reset is generated by the application during the ICC session.
3. The use of Pin 7 of the ICC connector depends on the programming tool architecture. This pin must be connected when using most ST programming tools (it is used to monitor the application power supply). Please refer to the programming tool manual.
4. Pin 9 has to be connected to the OSC1 (OSCIN) pin of the ST7 when the clock is not available in the application or if the selected clock option is not programmed in the option byte. ST7 devices with multi-oscillator capability need to have OSC2 grounded in this case.

**Caution:** External clock ICC entry mode is mandatory in ST72F324B 8/16 Kbyte Flash devices. In this case pin 9 must be connected to the OSC1 (OSCIN) pin of the ST7 and OSC2 must be grounded. 32 Kbyte Flash devices may use external clock or application clock ICC entry mode.

## 4.5 ICP (in-circuit programming)

To perform ICP the microcontroller must be switched to ICC (in-circuit communication) mode by an external controller or programming tool.

Depending on the ICP code downloaded in RAM, Flash memory programming can be fully customized (number of bytes to program, program locations, or selection serial communication interface for downloading).

When using an STMicroelectronics or third-party programming tool that supports ICP and the specific microcontroller device, the user needs only to implement the ICP hardware interface on the application board (see [Figure 6](#)). For more details on the pin locations, refer to the device pinout description.



## 4.6 IAP (in-application programming)

This mode uses a BootLoader program previously stored in Sector 0 by the user (in ICP mode or by plugging the device in a programming tool).

This mode is fully controlled by user software. This allows it to be adapted to the user application, (such as user-defined strategy for entering programming mode, choice of communications protocol used to fetch the data to be stored). For example, it is possible to download code from the SPI, SCI, USB or CAN interface and program it in the Flash. IAP mode can be used to program any of the Flash sectors except Sector 0, which is write/erase protected to allow recovery in case errors occur during the programming operation.

## 4.7 Related documentation

For details on Flash programming and ICC protocol, refer to the *ST7 Flash Programming Reference Manual* and to the *ST7 ICC Protocol Reference Manual*.

### 4.7.1 Flash Control/Status Register (FCSR)

This register is reserved for use by programming tool software. It controls the Flash programming and erasing operations.

|      |     |     |     |     |     |     |                             |  |
|------|-----|-----|-----|-----|-----|-----|-----------------------------|--|
| FCSR |     |     |     |     |     |     | Reset value:0000 0000 (00h) |  |
| 7    | 6   | 5   | 4   | 3   | 2   | 1   | 0                           |  |
| 0    | 0   | 0   | 0   | 0   | 0   | 0   | 0                           |  |
| R/W  | R/W | R/W | R/W | R/W | R/W | R/W | R/W                         |  |

**Table 5. Flash control/status register address and reset value**

| Address (Hex) | Register label   | 7 | 6 | 5 | 4 | 3 | 2 | 1 | 0 |
|---------------|------------------|---|---|---|---|---|---|---|---|
| 0029h         | FCSR reset value | 0 | 0 | 0 | 0 | 0 | 0 | 0 | 0 |

## 5 Central processing unit (CPU)

### 5.1 Introduction

This CPU has a full 8-bit architecture and contains six internal registers allowing efficient 8-bit data manipulation.

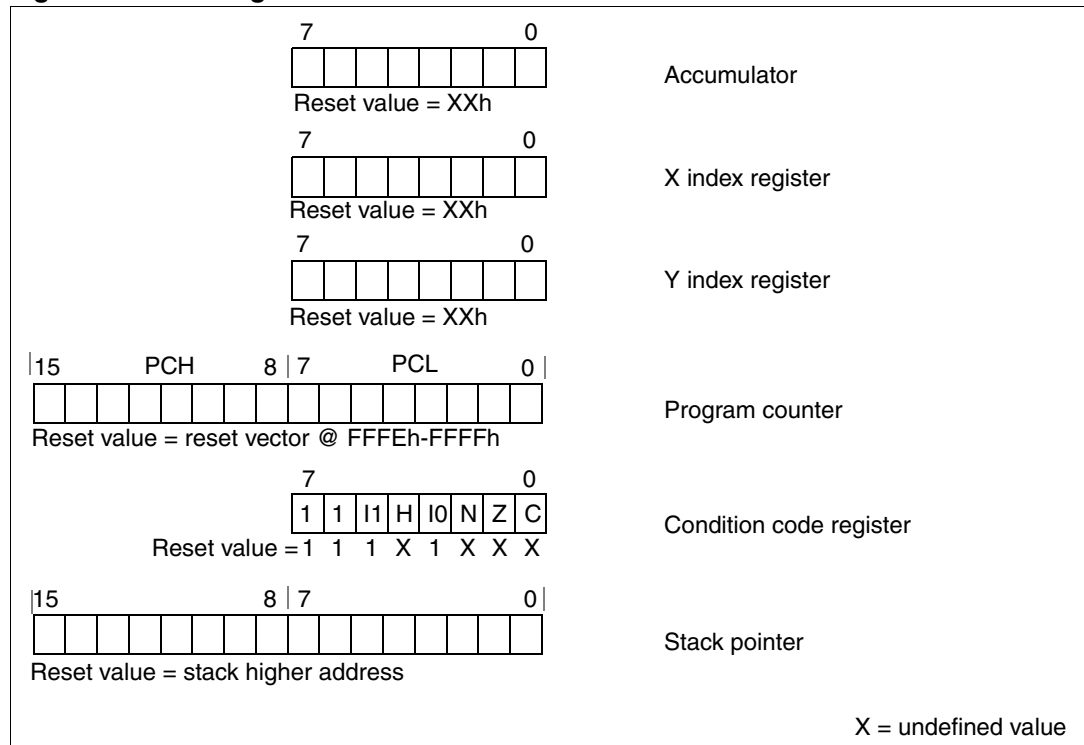
### 5.2 Main features

- Enable executing 63 basic instructions
- Fast 8-bit by 8-bit multiply
- 17 main addressing modes (with indirect addressing mode)
- Two 8-bit index registers
- 16-bit stack pointer
- Low power Halt and Wait modes
- Priority maskable hardware interrupts
- Non-maskable software/hardware interrupts

### 5.3 CPU registers

The six CPU registers shown in *Figure 7* are not present in the memory mapping and are accessed by specific instructions.

**Figure 7. CPU registers**



### 5.3.1 Accumulator (A)

The Accumulator is an 8-bit general purpose register used to hold operands and the results of the arithmetic and logic calculations and to manipulate data.

### 5.3.2 Index registers (X and Y)

These 8-bit registers are used to create effective addresses or as temporary storage areas for data manipulation. (The Cross-Assembler generates a precede instruction (PRE) to indicate that the following instruction refers to the Y register.)

The Y register is not affected by the interrupt automatic procedures.

### 5.3.3 Program counter (PC)

The program counter is a 16-bit register containing the address of the next instruction to be executed by the CPU. It is made of two 8-bit registers PCL (Program Counter Low which is the LSB) and PCH (Program Counter High which is the MSB).

### 5.3.4 Condition Code register (CC)

The 8-bit Condition Code register contains the interrupt masks and four flags representative of the result of the instruction just executed. This register can also be handled by the PUSH and POP instructions. These bits can be individually tested and/or controlled by specific instructions.

|     |     |     |     |     |     |     |                       |  |
|-----|-----|-----|-----|-----|-----|-----|-----------------------|--|
| CC  |     |     |     |     |     |     | Reset value: 111x1xxx |  |
| 7   | 6   | 5   | 4   | 3   | 2   | 1   | 0                     |  |
| 1   | 1   | I1  | H   | I0  | N   | Z   | C                     |  |
| R/W | R/W | R/W | R/W | R/W | R/W | R/W | R/W                   |  |

**Table 6. Arithmetic management bits**

| Bit | Name | Function   |
|-----|------|--|
| 4   | H    | Half carry<br>This bit is set by hardware when a carry occurs between bits 3 and 4 of the ALU during an ADD or ADC instructions. It is reset by hardware during the same instructions.<br>0: No half carry has occurred.<br>1: A half carry has occurred.<br>This bit is tested using the JRH or JRNH instruction. The H bit is useful in BCD arithmetic subroutines.  |
| 2   | N    | Negative<br>This bit is set and cleared by hardware. It is representative of the result sign of the last arithmetic, logical or data manipulation. It is a copy of the result 7th bit.<br>0: The result of the last operation is positive or null.<br>1: The result of the last operation is negative (that is, the most significant bit is a logic 1).<br>This bit is accessed by the JRMI and JRPL instructions. |

**Table 6. Arithmetic management bits (continued)**

| Bit | Name | Function  |
|-----|------|---|
| 1   | Z    | Zero (Arithmetic Management bit)<br>This bit is set and cleared by hardware. This bit indicates that the result of the last arithmetic, logical or data manipulation is zero.<br>0: The result of the last operation is different from zero.<br>1: The result of the last operation is zero.<br>This bit is accessed by the JREQ and JRNE test instructions.  |
| 0   | C    | Carry/borrow<br>This bit is set and cleared by hardware and software. It indicates an overflow or an underflow has occurred during the last arithmetic operation.<br>0: No overflow or underflow has occurred.<br>1: An overflow or underflow has occurred.<br>This bit is driven by the SCF and RCF instructions and tested by the JRC and JRNC instructions. It is also affected by the 'bit test and branch', shift and rotate instructions. |

**Table 7. Software interrupt bits**

| Bit | Name | Function  |
|-----|------|---|
| 5   | I1   | Software Interrupt Priority 1<br>The combination of the I1 and I0 bits determines the current interrupt software priority (see <a href="#">Table 8</a> ). |
| 3   | I0   | Software Interrupt Priority 0<br>The combination of the I1 and I0 bits determines the current interrupt software priority (see <a href="#">Table 8</a> ). |

**Table 8. Interrupt software priority selection**

| Interrupt software priority   | Level            | I1 | I0 |
|-------------------------------|------------------|----|----|
| Level 0 (main)                | Low<br>↓<br>High | 1  | 0  |
| Level 1                       |                  | 0  | 1  |
| Level 2                       |                  | 0  | 0  |
| Level 3 (= interrupt disable) |                  | 1  | 1  |

These two bits are set/cleared by hardware when entering in interrupt. The loaded value is given by the corresponding bits in the interrupt software priority registers (ISPRx). They can be also set/cleared by software with the RIM, SIM, IRET, HALT, WFI and PUSH/POP instructions.

See [Section 7: Interrupts on page 41](#) for more details.

### 5.3.5 Stack Pointer register (SP)

|     |     |     |     |     |     |     |     |     |     |     |     |     |     |                     |     |
|-----|-----|-----|-----|-----|-----|-----|-----|-----|-----|-----|-----|-----|-----|---------------------|-----|
| SP  |     |     |     |     |     |     |     |     |     |     |     |     |     | Reset value: 01 FFh |     |
| 15  | 14  | 13  | 12  | 11  | 10  | 9   | 8   | 7   | 6   | 5   | 4   | 3   | 2   | 1                   | 0   |
| 0   | 0   | 0   | 0   | 0   | 0   | 0   | 1   | SP7 | SP6 | SP5 | SP4 | SP3 | SP2 | SP1                 | SP0 |
| R/W | R/W | R/W | R/W | R/W | R/W | R/W | R/W | R/W | R/W | R/W | R/W | R/W | R/W | R/W                 | R/W |

The Stack Pointer is a 16-bit register which is always pointing to the next free location in the stack. It is then decremented after data has been pushed onto the stack and incremented before data is popped from the stack (see [Figure 8](#)).

Since the stack is 256 bytes deep, the 8 most significant bits are forced by hardware. Following an MCU reset, or after a Reset Stack Pointer instruction (RSP), the Stack Pointer contains its reset value (the SP7 to SP0 bits are set) which is the stack higher address.

The least significant byte of the Stack Pointer (called S) can be directly accessed by an LD instruction.

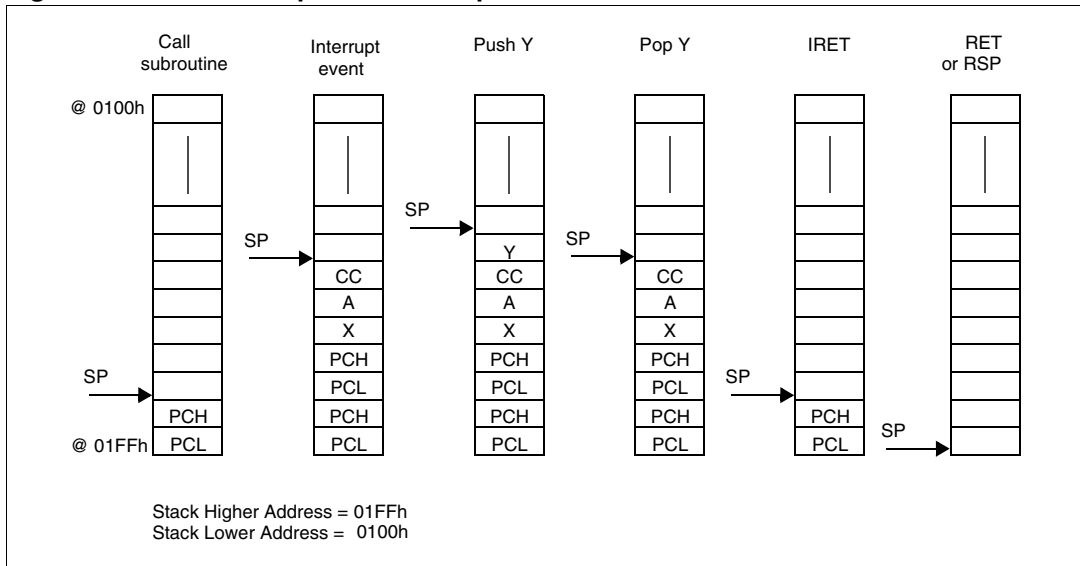
*Note: When the lower limit is exceeded, the Stack Pointer wraps around to the stack upper limit, without indicating the stack overflow. The previously stored information is then overwritten and therefore lost. The stack also wraps in case of an underflow.*

The stack is used to save the return address during a subroutine call and the CPU context during an interrupt. The user may also directly manipulate the stack by means of the PUSH and POP instructions. In the case of an interrupt, the PCL is stored at the first location pointed to by the SP. Then the other registers are stored in the next locations as shown in [Figure 8](#).

- When an interrupt is received, the SP is decremented and the context is pushed on the stack.
- On return from interrupt, the SP is incremented and the context is popped from the stack.

A subroutine call occupies two locations and an interrupt five locations in the stack area.

Figure 8. Stack manipulation example



## 6 Supply, reset and clock management

### 6.1 Introduction

The device includes a range of utility features for securing the application in critical situations (for example in case of a power brown-out), and reducing the number of external components. An overview is shown in [Figure 10](#).

For more details, refer to dedicated parametric section.

#### Main features

- Optional Phase Locked Loop (PLL) for multiplying the frequency by 2 (not to be used with internal RC oscillator in order to respect the max. operating frequency)
- Multi-Oscillator clock management (MO)
  - 5 crystal/ceramic resonator oscillators
  - 1 Internal RC oscillator
- Reset Sequence Manager (RSM)
- System Integrity management (SI)
  - Main supply low voltage detection (LVD)
  - Auxiliary voltage detector (AVD) with interrupt capability for monitoring the main supply

### 6.2 PLL (phase locked loop)

If the clock frequency input to the PLL is in the range 2 to 4 MHz, the PLL can be used to multiply the frequency by two to obtain an  $f_{OSC2}$  of 4 to 8 MHz. The PLL is enabled by option byte. If the PLL is disabled, then  $f_{OSC2} = f_{OSC}/2$ .

**Caution:** The PLL is not recommended for applications where timing accuracy is required. Furthermore, it must not be used with the internal RC oscillator.

**Figure 9. PLL block diagram**

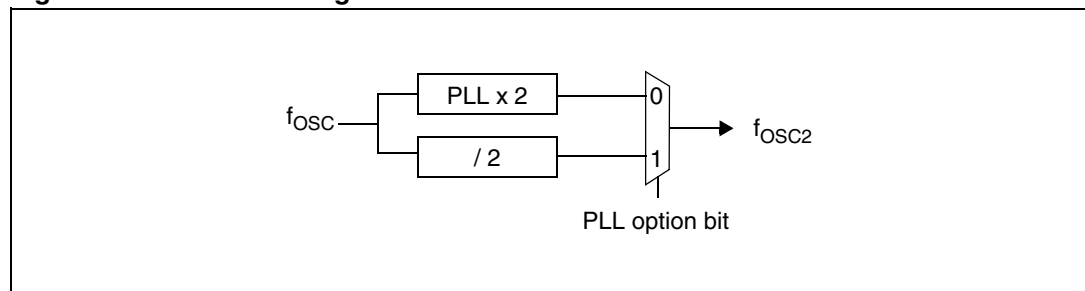
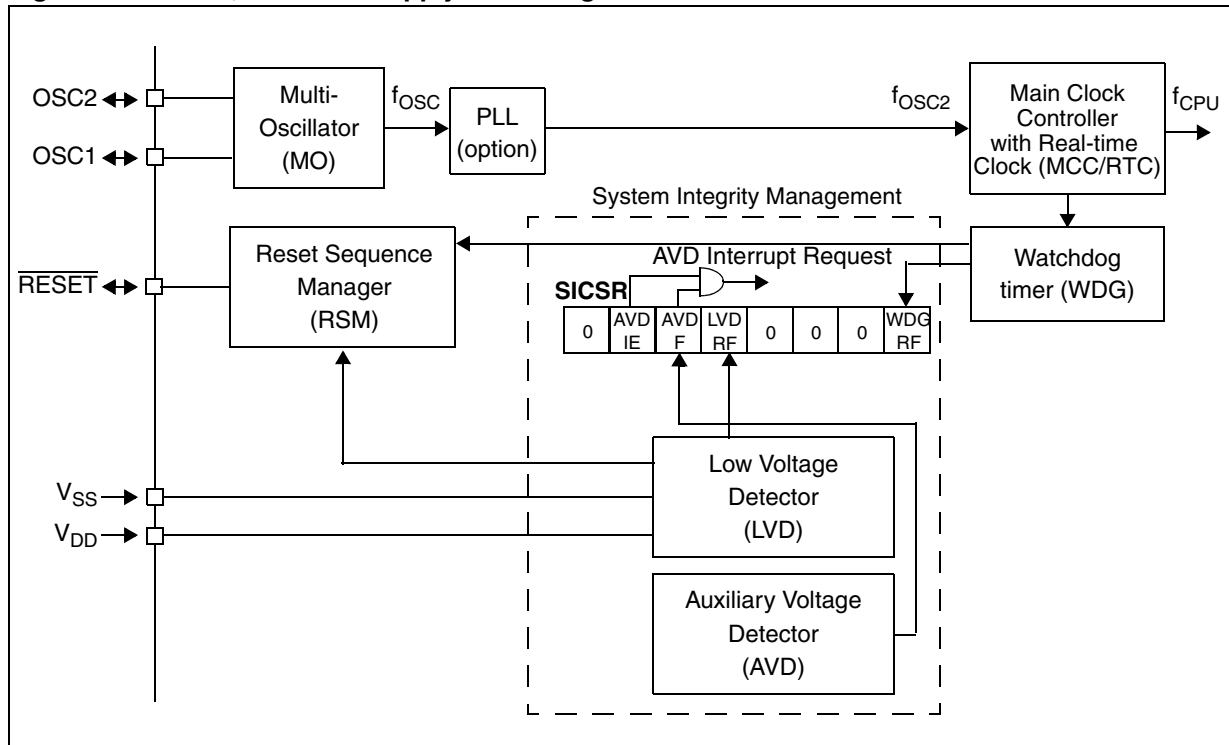


Figure 10. Clock, reset and supply block diagram



### 6.3 Multi-oscillator (MO)

The main clock of the ST7 can be generated by three different source types coming from the multi-oscillator block:

- an external source
- 4 crystal or ceramic resonator oscillators
- an internal high frequency RC oscillator

Each oscillator is optimized for a given frequency range in terms of consumption and is selectable through the option byte. The associated hardware configurations are shown in [Table 9](#). Refer to the electrical characteristics section for more details.

**Caution:** The OSC1 and/or OSC2 pins must not be left unconnected. For the purposes of Failure Mode and Effect Analysis, it should be noted that if the OSC1 and/or OSC2 pins are left unconnected, the ST7 main oscillator may start and, in this configuration, could generate an  $f_{OSC}$  clock frequency in excess of the allowed maximum (> 16 MHz.), putting the ST7 in an unsafe/undefined state. The product behavior must therefore be considered undefined when the OSC pins are left unconnected.

#### 6.3.1 External clock source

In this external clock mode, a clock signal (square, sinus or triangle) with ~50% duty cycle has to drive the OSC1 pin while the OSC2 pin is tied to ground.



### 6.3.2 Crystal/ceramic oscillators

This family of oscillators has the advantage of producing a very accurate rate on the main clock of the ST7. The selection within a list of four oscillators with different frequency ranges has to be done by option byte in order to reduce consumption (refer to [Section 14.1 on page 179](#) for more details on the frequency ranges). In this mode of the multi-oscillator, the resonator and the load capacitors have to be placed as close as possible to the oscillator pins in order to minimize output distortion and start-up stabilization time. The loading capacitance values must be adjusted according to the selected oscillator.

These oscillators are not stopped during the reset phase to avoid losing time in the oscillator start-up phase.

### 6.3.3 Internal RC oscillator

This oscillator allows a low cost solution for the main clock of the ST7 using only an internal resistor and capacitor. Internal RC oscillator mode has the drawback of a lower frequency accuracy and should not be used in applications that require accurate timing.

In this mode, the two oscillator pins have to be tied to ground.

In order not to exceed the maximum operating frequency, the internal RC oscillator must not be used with the PLL.

**Table 9. ST7 clock sources**

|                            | Hardware configuration |
|----------------------------|------------------------|
| External clock             |                        |
| Crystal/ceramic resonators |                        |
| Internal RC oscillator     |                        |

## 6.4 Reset sequence manager (RSM)

The reset sequence manager includes three reset sources as shown in [Figure 12](#):

- External reset source pulse
- Internal LVD reset
- Internal Watchdog reset

These sources act on the  $\overline{\text{RESET}}$  pin and it is always kept low during the delay phase.

The reset service routine vector is fixed at addresses FFFEh-FFFFh in the ST7 memory map.

The basic reset sequence consists of three phases as shown in [Figure 11](#):

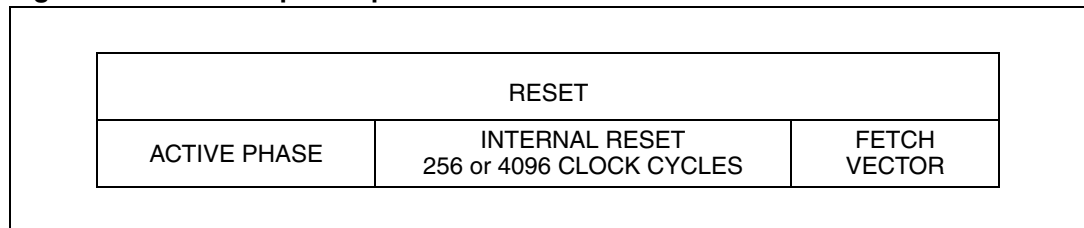
- Active Phase depending on the reset source
- 256 or 4096 CPU clock cycle delay (selected by option byte)
- Reset vector fetch

**Caution:** When the ST7 is unprogrammed or fully erased, the Flash is blank and the RESET vector is not programmed. For this reason, it is recommended to keep the RESET pin in low state until programming mode is entered, in order to avoid unwanted behavior.

The 256 or 4096 CPU clock cycle delay allows the oscillator to stabilize and ensures that recovery has taken place from the reset state. The shorter or longer clock cycle delay should be selected by option byte to correspond to the stabilization time of the external oscillator used in the application.

The reset vector fetch phase duration is two clock cycles.

**Figure 11. Reset sequence phases**

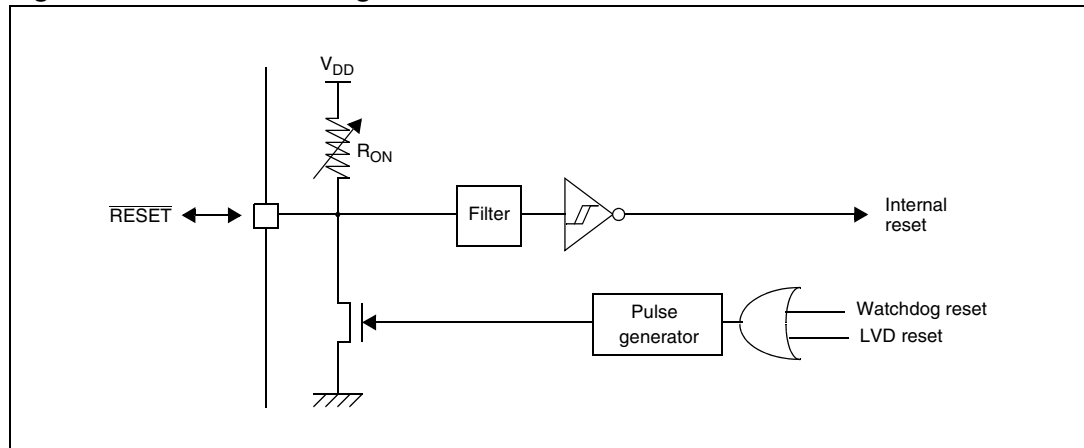


### 6.4.1 Asynchronous external $\overline{\text{RESET}}$ pin

The  $\overline{\text{RESET}}$  pin is both an input and an open-drain output with integrated  $R_{ON}$  weak pull-up resistor. This pull-up has no fixed value but varies in accordance with the input voltage. It can be pulled low by external circuitry to reset the device. See the [Electrical characteristics](#) section for more details.

A reset signal originating from an external source must have a duration of at least  $t_{h(RSTL)in}$  in order to be recognized (see [Figure 13](#)). This detection is asynchronous and therefore the MCU can enter reset state even in Halt mode.

Figure 12. Reset block diagram



The  $\overline{\text{RESET}}$  pin is an asynchronous signal which plays a major role in EMS performance. In a noisy environment, it is recommended to follow the guidelines mentioned in the electrical characteristics section.

### External power-on reset

If the LVD is disabled by option byte, to start up the microcontroller correctly, the user must ensure by means of an external reset circuit that the reset signal is held low until  $V_{DD}$  is over the minimum level specified for the selected  $f_{OSC}$  frequency.

A proper reset signal for a slow rising  $V_{DD}$  supply can generally be provided by an external RC network connected to the  $\overline{\text{RESET}}$  pin.

### Internal LVD reset

Two different reset sequences caused by the internal LVD circuitry can be distinguished:

- Power-On reset
- Voltage Drop reset

The device  $\overline{\text{RESET}}$  pin acts as an output that is pulled low when  $V_{DD} < V_{IT+}$  (rising edge) or  $V_{DD} < V_{IT-}$  (falling edge) as shown in [Figure 13](#).

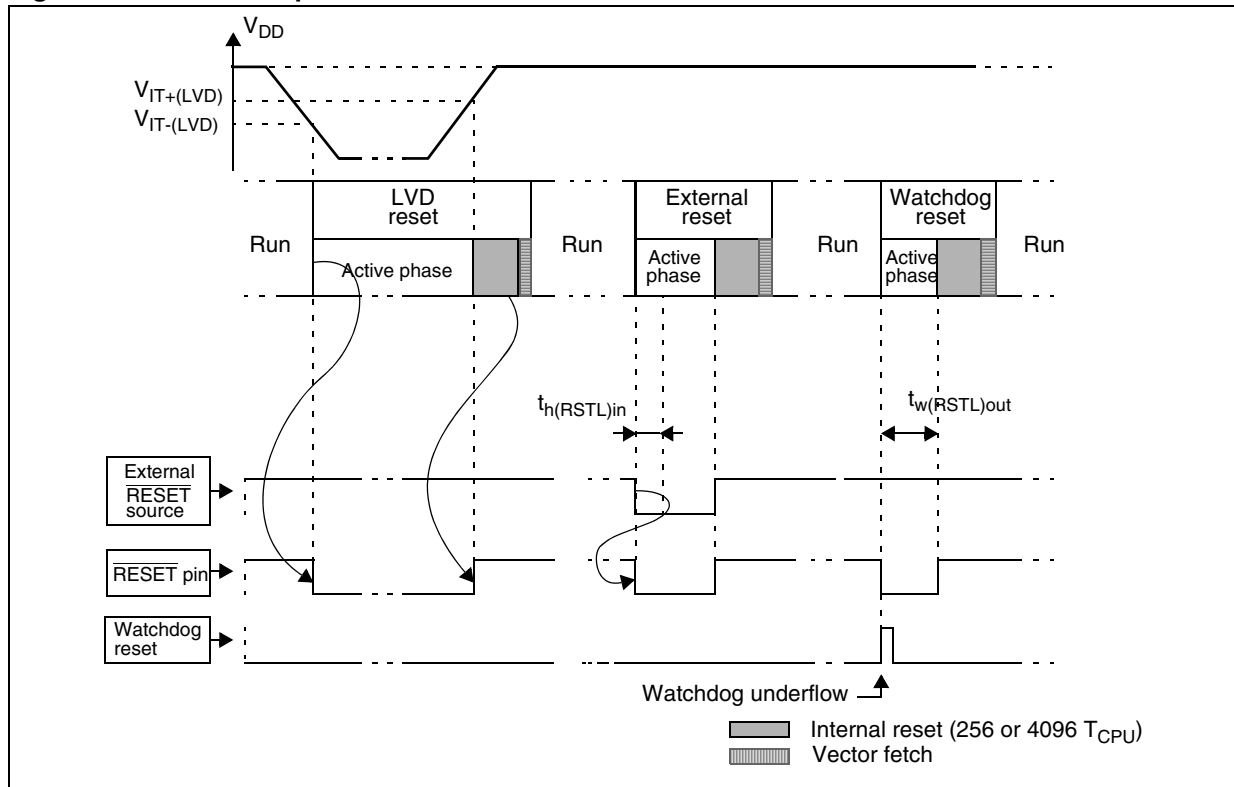
The LVD filters spikes on  $V_{DD}$  larger than  $t_{g(VDD)}$  to avoid parasitic resets.

### Internal Watchdog reset

The reset sequence generated by a internal Watchdog counter overflow is shown in [Figure 13](#).

Starting from the Watchdog counter underflow, the device  $\overline{\text{RESET}}$  pin acts as an output that is pulled low during at least  $t_{w(RSTL)out}$ .

Figure 13. RESET sequences



## 6.5 System integrity management (SI)

The system integrity management block contains the LVD and auxiliary voltage detector (AVD) functions. It is managed by the SICSR register.

### 6.5.1 LVD (low voltage detector)

The LVD function generates a static reset when the  $V_{DD}$  supply voltage is below a  $V_{IT-}$  reference value. This means that it secures the power-up as well as the power-down keeping the ST7 in reset.

The  $V_{IT-}$  reference value for a voltage drop is lower than the  $V_{IT+}$  reference value for power-on in order to avoid a parasitic reset when the MCU starts running and sinks current on the supply (hysteresis).

The LVD reset circuitry generates a reset when  $V_{DD}$  is below:

- $V_{IT+}$  when  $V_{DD}$  is rising
- $V_{IT-}$  when  $V_{DD}$  is falling

The LVD function is illustrated in [Figure 13](#).

The voltage threshold can be configured by option byte to be low, medium or high.

Provided the minimum  $V_{DD}$  value (guaranteed for the oscillator frequency) is above  $V_{IT-}$ , the MCU can only be in two modes:

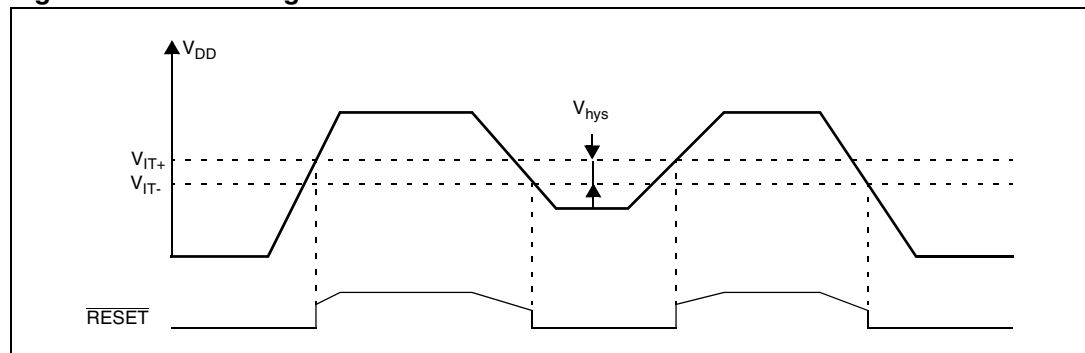
- under full software control
- in static safe reset

In these conditions, secure operation is always ensured for the application without the need for external reset hardware.

During an LVD reset, the  $\overline{\text{RESET}}$  pin is held low, thus permitting the MCU to reset other devices.

- Note:*
- 1 The LVD allows the device to be used without any external reset circuitry.
  - 2 If the medium or low thresholds are selected, the detection may occur outside the specified operating voltage range. Below 3.8V, device operation is not guaranteed.
  - 3 The LVD is an optional function which can be selected by option byte.
  - 4 It is recommended to make sure that the  $V_{DD}$  supply voltage rises monotonously when the device is exiting from reset, to ensure the application functions properly.

**Figure 14. Low voltage detector vs reset**



### 6.5.2 AVD (auxiliary voltage detector)

The AVD is based on an analog comparison between a  $V_{IT-(AVD)}$  and  $V_{IT+(AVD)}$  reference value and the  $V_{DD}$  main supply. The  $V_{IT-}$  reference value for falling voltage is lower than the  $V_{IT+}$  reference value for rising voltage in order to avoid parasitic detection (hysteresis).

The output of the AVD comparator is directly readable by the application software through a real-time status bit (AVDF) in the SICSR register. This bit is read only.

**Caution:** The AVD function is active only if the LVD is enabled through the option byte (see [Section 14.1 on page 179](#)).

#### Monitoring the $V_{DD}$ main supply

The AVD voltage threshold value is relative to the selected LVD threshold configured by option byte (see [Section 14.1 on page 179](#)).

If the AVD interrupt is enabled, an interrupt is generated when the voltage crosses the  $V_{IT+(AVD)}$  or  $V_{IT-(AVD)}$  threshold (AVDF bit toggles).

In the case of a drop in voltage, the AVD interrupt acts as an early warning, allowing software to shut down safely before the LVD resets the microcontroller. See [Figure 15](#).

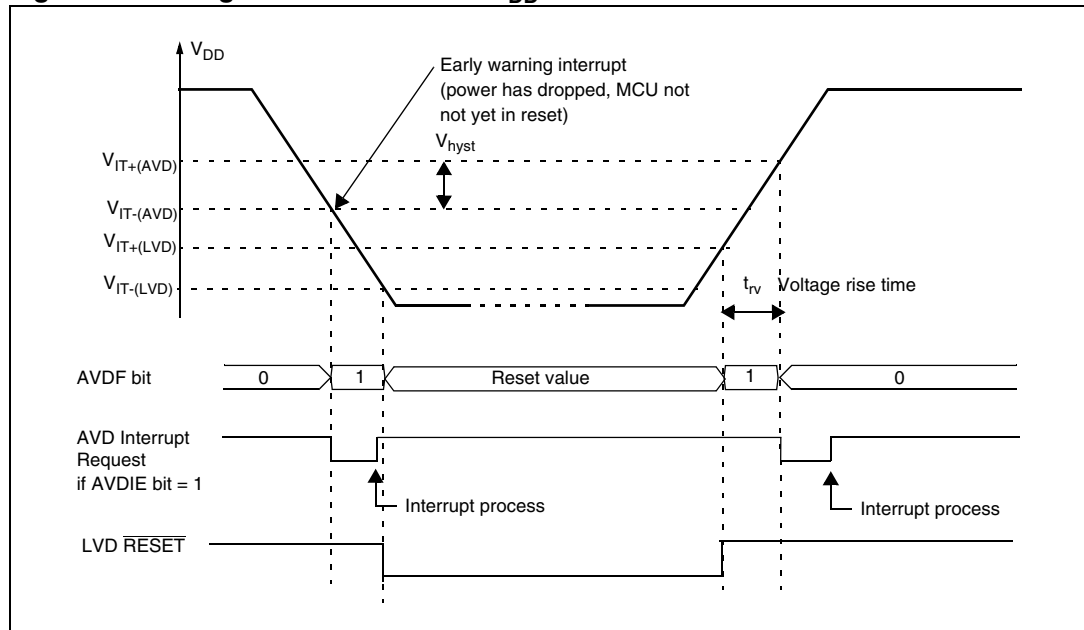
The interrupt on the rising edge is used to inform the application that the  $V_{DD}$  warning state is over.

If the voltage rise time  $t_{rv}$  is less than 256 or 4096 CPU cycles (depending on the reset delay selected by option byte), no AVD interrupt will be generated when  $V_{IT+(AVD)}$  is reached.

If  $t_{rv}$  is greater than 256 or 4096 cycles then:

- If the AVD interrupt is enabled before the  $V_{IT+(AVD)}$  threshold is reached, then 2 AVD interrupts will be received: the first when the AVDIE bit is set, and the second when the threshold is reached.
- If the AVD interrupt is enabled after the  $V_{IT+(AVD)}$  threshold is reached then only one AVD interrupt will occur.

**Figure 15. Using the AVD to monitor  $V_{DD}$**



### 6.5.3 Low power modes

**Table 10. Effect of low power modes on SI**

| Mode | Description  |
|------|--|
| Wait | No effect on SI. AVD interrupt causes the device to exit from Wait mode. |
| Halt | The CRSR register is frozen.   |

### 6.5.4 Interrupts

The AVD interrupt event generates an interrupt if the AVDIE bit is set and the interrupt mask in the CC register is reset (RIM instruction).

**Table 11. AVD interrupt control/wake-up capability**

| Interrupt event | Event flag | Enable Control bit | Exit from WAIT | Exit from HALT |
|-----------------|------------|--------------------|----------------|----------------|
| AVD event       | AVDF       | AVDIE              | Yes            | No             |

## 6.6 SI registers

### 6.6.1 System integrity (SI) control/status register (SICSR)

SICSR Reset value: 000x 000x (00h)

|     |       |      |       |          |   |   |       |
|-----|-------|------|-------|----------|---|---|-------|
| 7   | 6     | 5    | 4     | 3        | 2 | 1 | 0     |
| Res | AVDIE | AVDF | LVDRF | Reserved |   |   | WDGRF |
| -   | R/W   | RO   | R/W   | -        |   |   | R/W   |

**Table 12. SICSR register description**

| Bit | Name  | Function   |
|-----|-------|--|
| 7   | -     | Reserved, must be kept cleared   |
| 6   | AVDIE | Voltage Detector Interrupt Enable<br>This bit is set and cleared by software. It enables an interrupt to be generated when the AVDF flag changes (toggles). The pending interrupt information is automatically cleared when software enters the AVD interrupt routine<br>0: AVD interrupt disabled<br>1: AVD interrupt enabled   |
| 5   | AVDF  | Voltage Detector Flag<br>This read-only bit is set and cleared by hardware. If the AVDIE bit is set, an interrupt request is generated when the AVDF bit changes value. Refer to <a href="#">Figure 15</a> and to <a href="#">Section 6.5.2: AVD (auxiliary voltage detector)</a> for additional details.<br>0: $V_{DD}$ over $V_{IT+(AVD)}$ threshold<br>1: $V_{DD}$ under $V_{IT-(AVD)}$ threshold |
| 4   | LVDRF | LVD Reset Flag<br>This bit indicates that the last reset was generated by the LVD block. It is set by hardware (LVD reset) and cleared by software (writing zero). See WDGRF flag description for more details. When the LVD is disabled by option byte, the LVDRF bit value is undefined.   |
| 3:1 | -     | Reserved, must be kept cleared   |
| 0   | WDGRF | Watchdog Reset Flag<br>This bit indicates that the last reset was generated by the Watchdog peripheral. It is set by hardware (watchdog reset) and cleared by software (writing zero) or an LVD reset (to ensure a stable cleared state of the WDGRF flag when CPU starts). Combined with the LVDRF information, the flag description is given in <a href="#">Table 13</a> .                         |

**Table 13. Reset source flags**

| Reset sources                          | LVDRF | WDGRF |
|--|-------|-------|
| External $\overline{\text{RESET}}$ pin | 0     | 0     |
| Watchdog                               | 0     | 1     |
| LVD                                    | 1     | X     |

**Application notes**

The LVDRF flag is not cleared when another reset type occurs (external or watchdog); the LVDRF flag remains set to keep trace of the original failure. In this case, a watchdog reset can be detected by software while an external reset cannot.

**Caution:** When the LVD is not activated with the associated option byte, the WDGRF flag can not be used in the application.



## 7 Interrupts

### 7.1 Introduction

The ST7 enhanced interrupt management provides the following features:

- Hardware interrupts
- Software interrupt (TRAP)
- Nested or concurrent interrupt management with flexible interrupt priority and level management:
  - up to 4 software programmable nesting levels
  - up to 16 interrupt vectors fixed by hardware
  - 2 non-maskable events: reset, TRAP

This interrupt management is based on:

- Bit 5 and bit 3 of the CPU CC register (I1:0)
- Interrupt software priority registers (ISPRx)
- Fixed interrupt vector addresses located at the high addresses of the memory map (FFE0h to FFFFh) sorted by hardware priority order

This enhanced interrupt controller guarantees full upward compatibility with the standard (not nested) ST7 interrupt controller.

### 7.2 Masking and processing flow

The interrupt masking is managed by the I1 and I0 bits of the CC register and the ISPRx registers which give the interrupt software priority level of each interrupt vector (see [Table 14](#)). The processing flow is shown in [Figure 16](#).

When an interrupt request has to be serviced:

- Normal processing is suspended at the end of the current instruction execution.
- The PC, X, A and CC registers are saved onto the stack.
- I1 and I0 bits of CC register are set according to the corresponding values in the ISPRx registers of the serviced interrupt vector.
- The PC is then loaded with the interrupt vector of the interrupt to service and the first instruction of the interrupt service routine is fetched (refer to [Table 25: Interrupt mapping](#) for vector addresses).

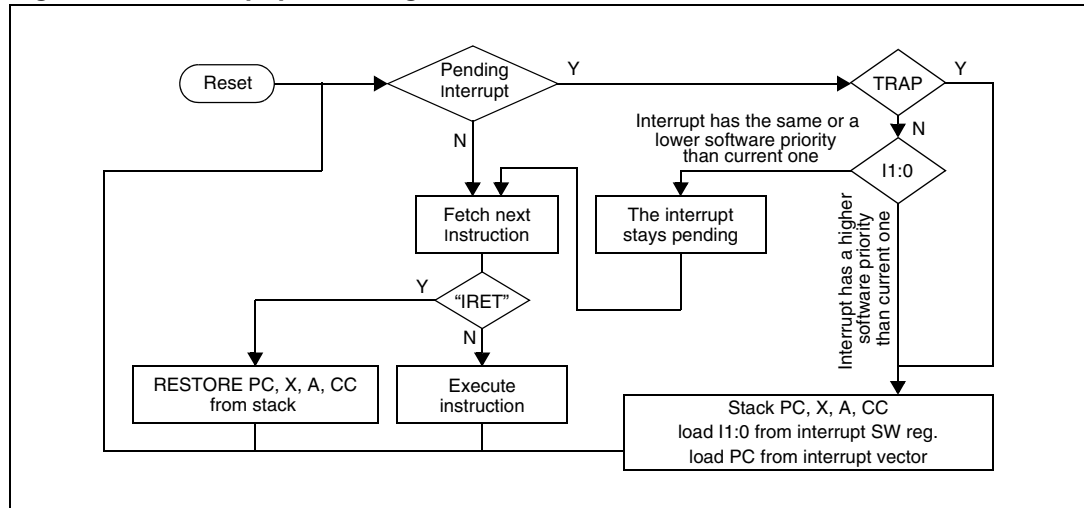
The interrupt service routine should end with the IRET instruction which causes the contents of the saved registers to be recovered from the stack.

*Note:* As a consequence of the IRET instruction, the I1 and I0 bits will be restored from the stack and the program in the previous level will resume.

**Table 14. Interrupt software priority levels**

| Interrupt software priority   | Level    | I1 | I0 |
|-------------------------------|----------|----|----|
| Level 0 (main)                | Low<br>↓ | 1  | 0  |
| Level 1                       |          | 0  | 1  |
| Level 2                       | High     | 0  | 0  |
| Level 3 (= interrupt disable) |          | 1  | 1  |

**Figure 16. Interrupt processing flowchart**



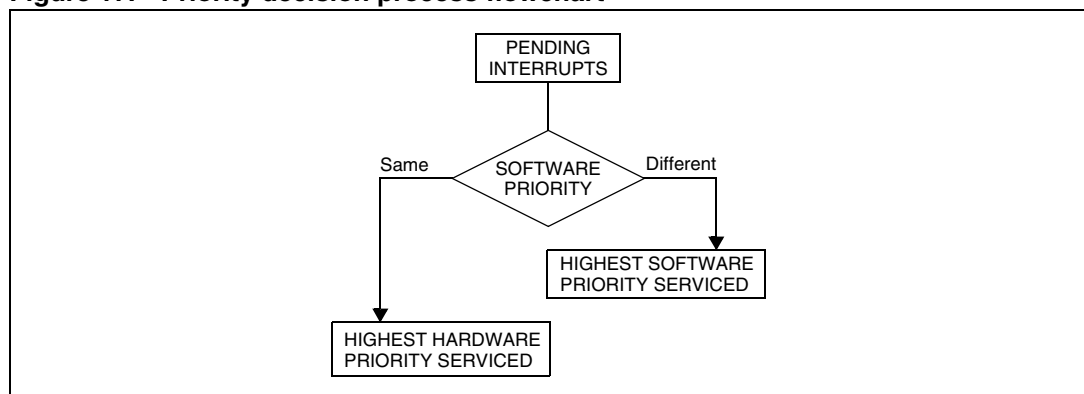
### 7.2.1 Servicing pending interrupts

As several interrupts can be pending at the same time, the interrupt to be taken into account is determined by the following two-step process:

- the highest software priority interrupt is serviced,
- if several interrupts have the same software priority then the interrupt with the highest hardware priority is serviced first.

Figure 17 describes this decision process.

**Figure 17. Priority decision process flowchart**



When an interrupt request is not serviced immediately, it is latched and then processed when its software priority combined with the hardware priority becomes the highest one.

- Note:
- 1 *The hardware priority is exclusive while the software one is not. This allows the previous process to succeed with only one interrupt.*
  - 2 *Reset and TRAP can be considered as having the highest software priority in the decision process.*

## 7.2.2 Different interrupt vector sources

Two interrupt source types are managed by the ST7 interrupt controller: the non-maskable type (reset, TRAP) and the maskable type (external or from internal peripherals).

## 7.2.3 Non-maskable sources

These sources are processed regardless of the state of the I1 and I0 bits of the CC register (see [Figure 16](#)). After stacking the PC, X, A and CC registers (except for reset), the corresponding vector is loaded in the PC register and the I1 and I0 bits of the CC are set to disable interrupts (level 3). These sources allow the processor to exit Halt mode.

### TRAP (non-maskable software interrupt)

This software interrupt is serviced when the TRAP instruction is executed. It will be serviced according to the flowchart in [Figure 16](#).

#### Reset

The reset source has the highest priority in the ST7. This means that the first current routine has the highest software priority (level 3) and the highest hardware priority.

See the reset chapter for more details.

## 7.2.4 Maskable sources

Maskable interrupt vector sources can be serviced if the corresponding interrupt is enabled and if its own interrupt software priority (in ISPRx registers) is higher than the one currently being serviced (I1 and I0 in CC register). If any of these two conditions is false, the interrupt is latched and thus remains pending.

### External interrupts

External interrupts allow the processor to Exit from Halt low power mode. External interrupt sensitivity is software selectable through the External Interrupt Control register (EICR).

External interrupt triggered on edge will be latched and the interrupt request automatically cleared upon entering the interrupt service routine.

If several input pins of a group connected to the same interrupt line are selected simultaneously, these will be logically ORed.

### Peripheral interrupts

Usually the peripheral interrupts cause the MCU to Exit from Halt mode except those mentioned in [Table 25: Interrupt mapping](#). A peripheral interrupt occurs when a specific flag is set in the peripheral status registers and if the corresponding enable bit is set in the

peripheral control register. The general sequence for clearing an interrupt is based on an access to the status register followed by a read or write to an associated register.

*Note: The clearing sequence resets the internal latch. A pending interrupt (that is, waiting to be serviced) is therefore lost if the clear sequence is executed.*

### 7.3 Interrupts and low power modes

All interrupts allow the processor to exit the Wait low power mode. On the contrary, only external and other specified interrupts allow the processor to exit from the Halt modes (see column Exit from HALT in [Table 25: Interrupt mapping](#)). When several pending interrupts are present while exiting Halt mode, the first one serviced can only be an interrupt with Exit from Halt mode capability and it is selected through the same decision process shown in [Figure 17](#).

*Note: If an interrupt, that is not able to exit from Halt mode, is pending with the highest priority when exiting Halt mode, this interrupt is serviced after the first one serviced.*

### 7.4 Concurrent and nested management

[Figure 18](#) and [Figure 19](#) show two different interrupt management modes. The first is called concurrent mode and does not allow an interrupt to be interrupted, unlike the nested mode in [Figure 19](#). The interrupt hardware priority is given in order from the lowest to the highest as follows: MAIN, IT4, IT3, IT2, IT1, IT0. Software priority is given for each interrupt.

**Warning: A stack overflow may occur without notifying the software of the failure.**

**Figure 18. Concurrent interrupt management**

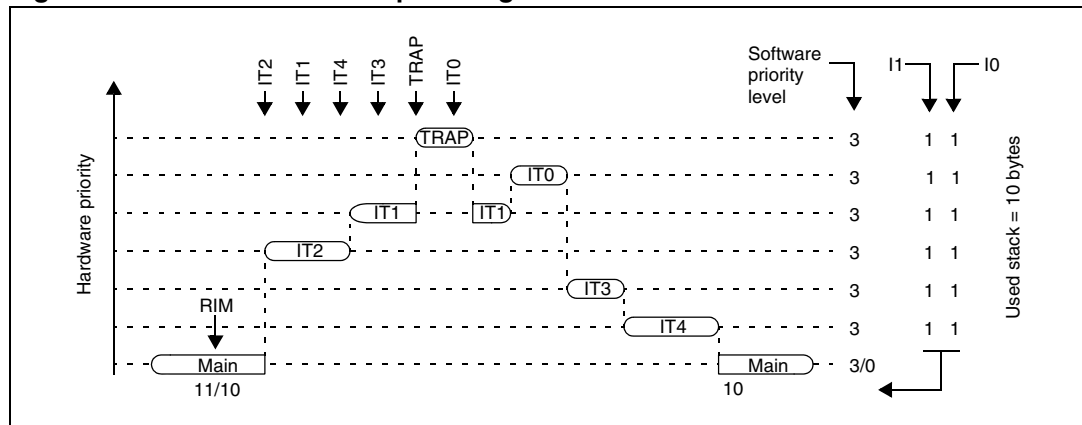
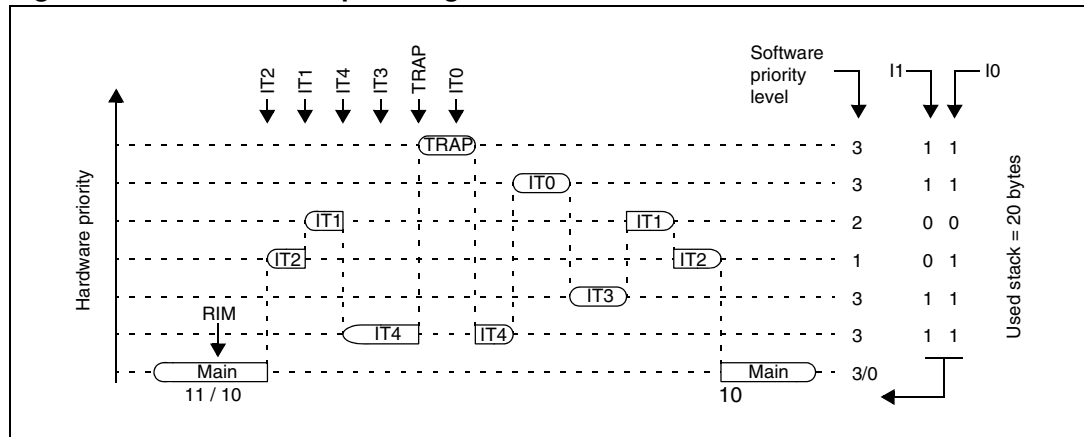


Figure 19. Nested interrupt management



## 7.5 Interrupt registers

### 7.5.1 CPU CC register interrupt bits

|        |     |     |     |     |     |     |     |                             |
|--------|-----|-----|-----|-----|-----|-----|-----|-----------------------------|
| CPU CC |     |     |     |     |     |     |     | Reset value: 111x 1010(xAh) |
| 7      | 6   | 5   | 4   | 3   | 2   | 1   | 0   |                             |
| 1      | 1   | I1  | H   | I0  | N   | Z   | C   |                             |
| R/W    | R/W | R/W | R/W | R/W | R/W | R/W | R/W |                             |

Table 15. CPU CC register interrupt bits description

| Bit | Name | Function                      |
|-----|------|-------------------------------|
| 5   | I1   | Software Interrupt Priority 1 |
| 3   | I0   | Software Interrupt Priority 0 |

Table 16. Interrupt software priority levels

| Interrupt software priority                  | Level            | I1 | I0 |
|--|------------------|----|----|
| Level 0 (main)                               | Low<br>↓<br>High | 1  | 0  |
| Level 1                                      |                  | 0  | 1  |
| Level 2                                      |                  | 0  | 0  |
| Level 3 (= interrupt disable) <sup>(1)</sup> |                  | 1  | 1  |

1. TRAP and RESET events can interrupt a level 3 program.

These two bits indicate the current interrupt software priority (see [Table 16](#)) and are set/cleared by hardware when entering in interrupt. The loaded value is given by the corresponding bits in the interrupt software priority registers (ISPRx).

They can be also set/cleared by software with the RIM, SIM, HALT, WFI, IRET and PUSH/POP instructions (see [Table 18: Dedicated interrupt instruction set](#)).

### 7.5.2 Interrupt software priority registers (ISPRx)

| ISPRx |       | Reset value: 1111 1111 (FFh) |       |       |       |       |       |       |
|-------|-------|------------------------------|-------|-------|-------|-------|-------|-------|
|       | 7     | 6                            | 5     | 4     | 3     | 2     | 1     | 0     |
| ISPR0 | I1_3  | I0_3                         | I1_2  | I0_2  | I1_1  | I0_1  | I1_0  | I0_0  |
| ISPR1 | I1_7  | I0_7                         | I1_6  | I0_6  | I1_5  | I0_5  | I1_4  | I0_4  |
| ISPR2 | I1_11 | I0_11                        | I1_10 | I0_10 | I1_9  | I0_9  | I1_8  | I0_8  |
|       | R/W   | R/W                          | R/W   | R/W   | R/W   | R/W   | R/W   | R/W   |
| ISPR3 | 1     | 1                            | 1     | 1     | I1_13 | I0_13 | I1_12 | I0_12 |
|       | RO    | RO                           | RO    | RO    | R/W   | R/W   | R/W   | R/W   |

These four registers contain the interrupt software priority of each interrupt vector.

- Each interrupt vector (except reset and TRAP) has corresponding bits in these registers where its own software priority is stored. This correspondence is shown in the following [Table 17](#).

**Table 17. ISPRx interrupt vector correspondence**

| Vector address | ISPRx bits           |
|----------------|----------------------|
| FFFBh-FFFAh    | I1_0 and I0_0 bits   |
| FFF9h-FFF8h    | I1_1 and I0_1 bits   |
| ...            | ...                  |
| FFE1h-FFE0h    | I1_13 and I0_13 bits |

- Each I1\_x and I0\_x bit value in the ISPRx registers has the same meaning as the I1 and I0 bits in the CC register.
- Level 0 cannot be written (I1\_x = 1, I0\_x = 0). In this case, the previously stored value is kept (for example, previous value = CFh, write = 64h, result = 44h).

The reset, and TRAP vectors have no software priorities. When one is serviced, the I1 and I0 bits of the CC register are both set.

**Caution:** If the I1\_x and I0\_x bits are modified while the interrupt x is executed the following behavior has to be considered: If the interrupt x is still pending (new interrupt or flag not cleared) and the new software priority is higher than the previous one, the interrupt x is re-entered. Otherwise, the software priority stays unchanged up to the next interrupt request (after the IRET of the interrupt x).

**Table 18. Dedicated interrupt instruction set<sup>(1)</sup>**

| Instruction | New description    | Function/example | I1 | H | I0 | N | Z | C |
|-------------|--------------------|------------------|----|---|----|---|---|---|
| HALT        | Entering HALT mode |                  | 1  |   | 0  |   |   |   |



**Table 18. Dedicated interrupt instruction set<sup>(1)</sup> (continued)**

| Instruction | New description                 | Function/example      | I1 | H | I0 | N | Z | C |
|-------------|---------------------------------|-----------------------|----|---|----|---|---|---|
| IRET        | Interrupt routine return        | POP CC, A, X, PC      | I1 | H | I0 | N | Z | C |
| JRM         | Jump if I1:0=11 (level 3)       | I1:0=11 ?             |    |   |    |   |   |   |
| JRNM        | Jump if I1:0<>11                | I1:0<>11 ?            |    |   |    |   |   |   |
| POP CC      | POP CC from the Stack           | Mem => CC             | I1 | H | I0 | N | Z | C |
| RIM         | Enable interrupt (level 0 set)  | Load I0 in I1:0 of CC | 1  |   | 0  |   |   |   |
| SIM         | Disable interrupt (level 3 set) | Load I1 in I1:0 of CC | 1  |   | 1  |   |   |   |
| TRAP        | Software TRAP                   | Software NMI          | 1  |   | 1  |   |   |   |
| WFI         | WAIT for interrupt              |                       | 1  |   | 0  |   |   |   |

1. During the execution of an interrupt routine, the HALT, POP CC, RIM, SIM and WFI instructions change the current software priority up to the next IRET instruction or one of the previously mentioned instructions.

## 7.6 External interrupts

### 7.6.1 I/O port interrupt sensitivity

The external interrupt sensitivity is controlled by the IPA, IPB and ISxx bits of the EICR register (Figure 20). This control allows up to four fully independent external interrupt source sensitivities.

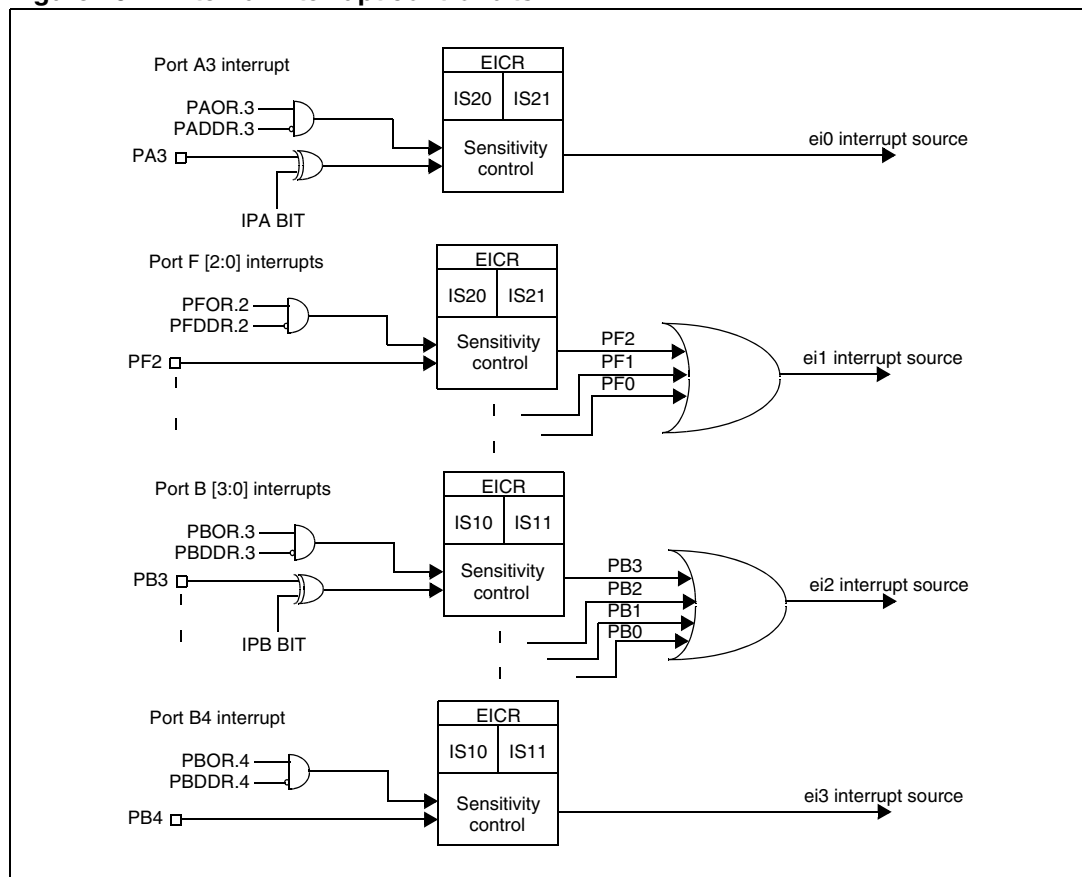
Each external interrupt source can be generated on four (or five) different events on the pin:

- Falling edge
- Rising edge
- Falling and rising edge
- Falling edge and low level
- Rising edge and high level (only for ei0 and ei2)

To guarantee correct functionality, the sensitivity bits in the EICR register can be modified only when the I1 and I0 bits of the CC register are both set to 1 (level 3). This means that interrupts must be disabled before changing sensitivity.

The pending interrupts are cleared by writing a different value in the ISx[1:0], IPA or IPB bits of the EICR.

**Figure 20. External interrupt control bits**





### 7.6.2 External interrupt control register (EICR)

|      |      |     |      |      |     |                              |   |
|------|------|-----|------|------|-----|------------------------------|---|
| EICR |      |     |      |      |     | Reset value: 0000 0000 (00h) |   |
| 7    | 6    | 5   | 4    | 3    | 2   | 1                            | 0 |
| IS11 | IS10 | IPB | IS21 | IS20 | IPA | Reserved                     |   |
| R/W  | R/W  | R/W | R/W  | R/W  | R/W | -                            |   |

**Table 19. EICR register description**

| Bit | Name     | Function   |
|-----|----------|--|
| 7:6 | IS1[1:0] | ei2 and ei3 sensitivity<br>The interrupt sensitivity, defined using the IS1[1:0] bits, is applied to the following external interrupts:<br>- ei2 for port B [3:0] (see <a href="#">Table 20</a> )<br>- ei3 for port B4 (see <a href="#">Table 21</a> )<br>Bits 7 and 6 can only be written when I1 and I0 of the CC register are both set to 1 (level 3).    |
| 5   | IPB      | Interrupt Polarity (for port B)<br>This bit is used to invert the sensitivity of port B [3:0] external interrupts. It can be set and cleared by software only when I1 and I0 of the CC register are both set to 1 (level 3).<br>0: No sensitivity inversion<br>1: Sensitivity inversion  |
| 4:3 | IS2[1:0] | ei0 and ei1 sensitivity<br>The interrupt sensitivity, defined using the IS2[1:0] bits, is applied to the following external interrupts:<br>- ei0 for port A[3:0] (see <a href="#">Table 22</a> )<br>- ei1 for port F[2:0] (see <a href="#">Table 23</a> )<br>Bits 4 and 3 can only be written when I1 and I0 of the CC register are both set to 1 (level 3). |
| 2   | IPA      | Interrupt Polarity (for port A)<br>This bit is used to invert the sensitivity of port A [3:0] external interrupts. It can be set and cleared by software only when I1 and I0 of the CC register are both set to 1 (level 3).<br>0: No sensitivity inversion.<br>1: Sensitivity inversion.  |
| 1:0 | -        | Reserved, must always be kept cleared  |

**Table 20. Interrupt sensitivity - ei2**

| IS11 | IS10 | External interrupt sensitivity |                            |
|------|------|--------------------------------|----------------------------|
|      |      | IPB bit = 0                    | IPB bit = 1                |
| 0    | 0    | Falling edge and low level     | Rising edge and high level |
| 0    | 1    | Rising edge only               | Falling edge only          |
| 1    | 0    | Falling edge only              | Rising edge only           |
| 1    | 1    | Rising and falling edge        |                            |



**Table 21. Interrupt sensitivity - ei3**

| IS11 | IS10 | External interrupt sensitivity |
|------|------|--------------------------------|
| 0    | 0    | Falling edge and low level     |
| 0    | 1    | Rising edge only               |
| 1    | 0    | Falling edge only              |
| 1    | 1    | Rising and falling edge        |

**Table 22. Interrupt sensitivity - ei0**

| IS21 | IS20 | External interrupt sensitivity |                            |
|------|------|--------------------------------|----------------------------|
|      |      | IPA bit = 0                    | IPA bit = 1                |
| 0    | 0    | Falling edge and low level     | Rising edge and high level |
| 0    | 1    | Rising edge only               | Falling edge only          |
| 1    | 0    | Falling edge only              | Rising edge only           |
| 1    | 1    | Rising and falling edge        |                            |

**Table 23. Interrupt sensitivity - ei1**

| IS21 | IS20 | External interrupt sensitivity |
|------|------|--------------------------------|
| 0    | 0    | Falling edge and low level     |
| 0    | 1    | Rising edge only               |
| 1    | 0    | Falling edge only              |
| 1    | 1    | Rising and falling edge        |

**Table 24. Nested interrupts register map and reset values**

| Address (Hex.) | Register label       | 7          | 6          | 5          | 4          | 3          | 2          | 1          | 0          |
|----------------|----------------------|------------|------------|------------|------------|------------|------------|------------|------------|
| 0024h          | ISPR0<br>reset value | ei1        |            | ei0        |            | MCC + SI   |            |            |            |
|                |                      | I1_3<br>1  | I0_3<br>1  | I1_2<br>1  | I0_2<br>1  | I1_1<br>1  | I0_1<br>1  | 1          | 1          |
| 0025h          | ISPR1<br>reset value | SPI        |            |            |            | ei3        |            | ei2        |            |
|                |                      | I1_7<br>1  | I0_7<br>1  | I1_6<br>1  | I0_6<br>1  | I1_5<br>1  | I0_5<br>1  | I1_4<br>1  | I0_4<br>1  |
| 0026h          | ISPR2<br>reset value | AVD        |            | SCI        |            | Timer B    |            | Timer A    |            |
|                |                      | I1_11<br>1 | I0_11<br>1 | I1_10<br>1 | I0_10<br>1 | I1_9<br>1  | I0_9<br>1  | I1_8<br>1  | I0_8<br>1  |
| 0027h          | ISPR3<br>reset value | 1          | 1          | 1          | 1          | I1_13<br>1 | I0_13<br>1 | I1_12<br>1 | I0_12<br>1 |
| 0028h          | EICR<br>reset value  | IS11<br>0  | IS10<br>0  | IPB<br>0   | IS21<br>0  | IS20<br>0  | IPA<br>0   | 0          | 0          |

**Table 25. Interrupt mapping**

| No. | Source block | Description                               | Register label | Priority order                         | Exit from Halt/Active Halt | Address vector |  |
|-----|--------------|---|----------------|--|----------------------------|----------------|--|
|     | Reset        | Reset                                     | N/A            |  | yes                        | FFFEh-FFFFh    |  |
|     | TRAP         | Software interrupt                        |                |  | no                         | FFFCh-FFFDh    |  |
| 0   | Not used     |   |                |  |                            | FFFAh-FFFBh    |  |
| 1   | MCC/RTC      | Main clock controller time base interrupt | MCCSR          | Higher priority<br>↓<br>Lower priority | yes                        | FFF8h-FFF9h    |  |
| 2   | ei0          | External interrupt port A3..0             | N/A            |  | yes                        | FFF6h-FFF7h    |  |
| 3   | ei1          | External interrupt port F2..0             |                |  | yes                        | FFF4h-FFF5h    |  |
| 4   | ei2          | External interrupt port B3..0             |                |  | yes                        | FFF2h-FFF3h    |  |
| 5   | ei3          | External interrupt port B7..4             |                |  | yes                        | FFF0h-FFF1h    |  |
| 6   | Not used     |   |                |  |                            | FFEEh-FFEFh    |  |
| 7   | SPI          | SPI peripheral interrupts                 | SPICSR         |  | yes                        | FFECCh-FFEDh   |  |
| 8   | Timer A      | Timer A peripheral interrupts             | TASR           |  | no                         | FFEAh-FFEBh    |  |
| 9   | Timer B      | Timer B peripheral interrupts             | TBSR           |  | no                         | FFE8h-FFE9h    |  |
| 10  | SCI          | SCI peripheral interrupts                 | SCISR          |  | no                         | FFE6h-FFE7h    |  |
| 11  | AVD          | Auxiliary voltage detector interrupt      | SICSR          |  | no                         | FFE4h-FFE5h    |  |

## 8 Power saving modes

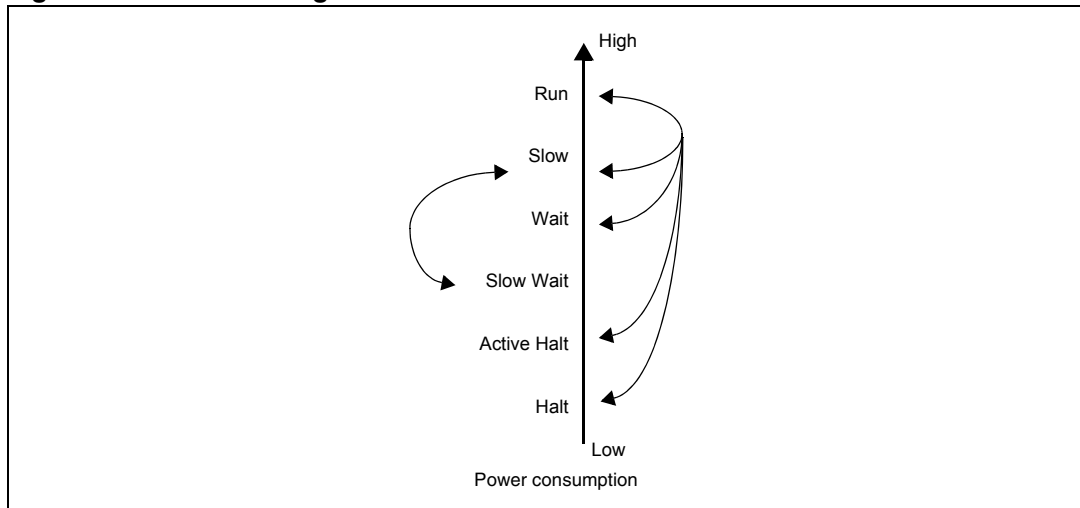
### 8.1 Introduction

To give a large measure of flexibility to the application in terms of power consumption, four main power saving modes are implemented in the ST7 (see [Figure 21](#)): Slow, Wait (Slow Wait), Active Halt and Halt.

After a reset the normal operating mode is selected by default (Run mode). This mode drives the device (CPU and embedded peripherals) by means of a master clock which is based on the main oscillator frequency divided or multiplied by 2 ( $f_{OSC2}$ ).

From Run mode, the different power saving modes may be selected by setting the relevant register bits or by calling the specific ST7 software instruction whose action depends on the oscillator status.

**Figure 21. Power saving mode transitions**



### 8.2 Slow mode

This mode has two targets:

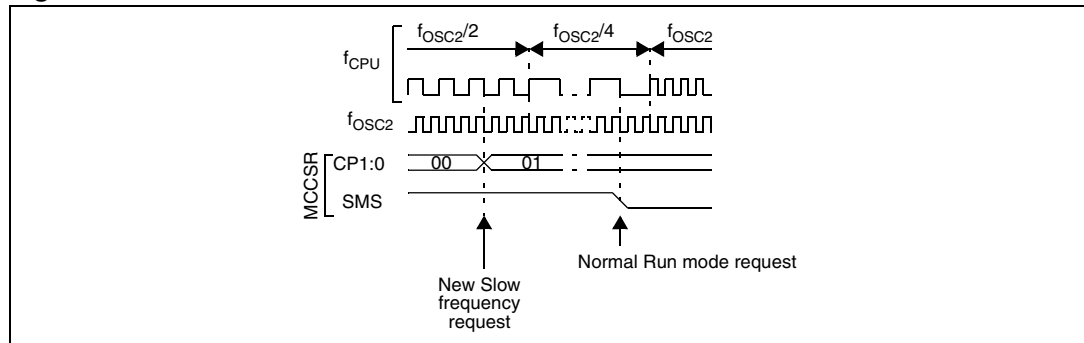
- To reduce power consumption by decreasing the internal clock in the device,
- To adapt the internal clock frequency ( $f_{CPU}$ ) to the available supply voltage.

Slow mode is controlled by three bits in the MCCR register: the SMS bit which enables or disables Slow mode and two CPx bits which select the internal slow frequency ( $f_{CPU}$ ).

In this mode, the master clock frequency ( $f_{OSC2}$ ) can be divided by 2, 4, 8 or 16. The CPU and peripherals are clocked at this lower frequency ( $f_{CPU}$ ).

*Note:* *Slow-Wait mode is activated when entering the Wait mode while the device is already in Slow mode.*

Figure 22. Slow mode clock transitions



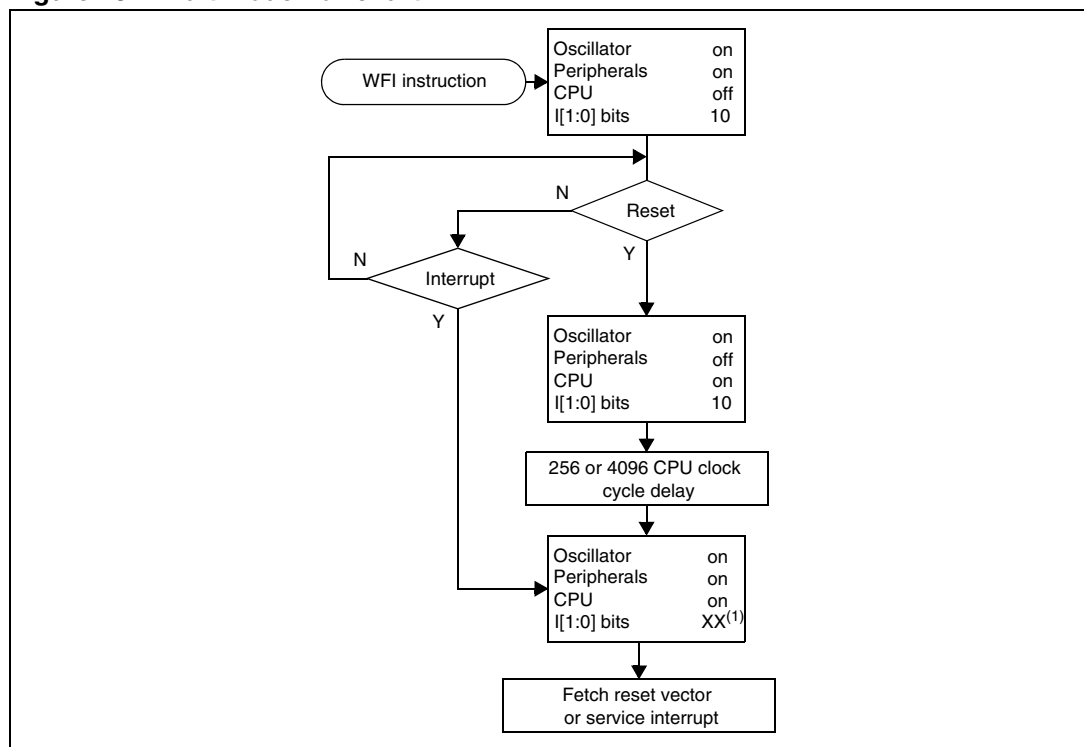
### 8.3 Wait mode

Wait mode places the MCU in a low power consumption mode by stopping the CPU.

This power saving mode is selected by calling the 'WFI' instruction.

All peripherals remain active. During Wait mode, the I[1:0] bits of the CC register are forced to '10', to enable all interrupts. All other registers and memory remain unchanged. The MCU remains in Wait mode until an interrupt or reset occurs, whereupon the Program Counter branches to the starting address of the interrupt or reset service routine. The MCU will remain in Wait mode until a reset or an interrupt occurs, causing it to wake up. Refer to [Figure 23](#).

Figure 23. Wait mode flowchart



1. Before servicing an interrupt, the CC register is pushed on the stack. The I[1:0] bits of the CC register are set to the current software priority level of the interrupt routine and recovered when the CC register is popped.

## 8.4 Active Halt and Halt modes

Active Halt and Halt modes are the two lowest power consumption modes of the MCU. They are both entered by executing the 'HALT' instruction. The decision to enter either in Active Halt or Halt mode is given by the MCC/RTC interrupt enable flag (OIE bit in the MCCSR register).

**Table 26. MCC/RTC low power mode selection**

| MCCSR OIE bit | Power saving mode entered when HALT instruction is executed |
|---------------|---|
| 0             | Halt mode   |
| 1             | Active Halt mode  |

### 8.4.1 Active Halt mode

Active Halt mode is the lowest power consumption mode of the MCU with a real-time clock available. It is entered by executing the 'HALT' instruction when the OIE bit of the Main Clock Controller Status register (MCCSR) is set (see [Section 10.2: Main clock controller with real-time clock and beeper \(MCC/RTC\) on page 69](#) for more details on the MCCSR register).

The MCU can exit Active Halt mode on reception of either an MCC/RTC interrupt, a specific interrupt (see [Table 25: Interrupt mapping](#)) or a reset. When exiting Active Halt mode by means of an interrupt, no 256 or 4096 CPU cycle delay occurs. The CPU resumes operation by servicing the interrupt or by fetching the reset vector which woke it up (see [Figure 25](#)).

When entering Active Halt mode, the I[1:0] bits in the CC register are forced to '10b' to enable interrupts. Therefore, if an interrupt is pending, the MCU wakes up immediately.

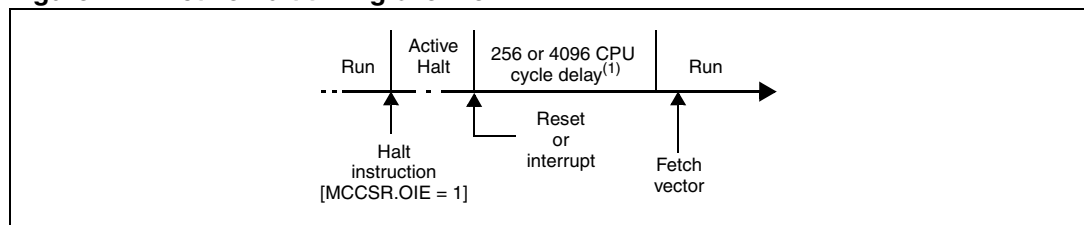
In Active Halt mode, only the main oscillator and its associated counter (MCC/RTC) are running to keep a wake-up time base. All other peripherals are not clocked except those which get their clock supply from another clock generator (such as external or auxiliary oscillator).

The safeguard against staying locked in Active Halt mode is provided by the oscillator interrupt.

*Note:* As soon as the interrupt capability of one of the oscillators is selected (MCCSR.OIE bit set), entering Active Halt mode while the Watchdog is active does not generate a reset. This means that the device cannot spend more than a defined delay in this power saving mode.

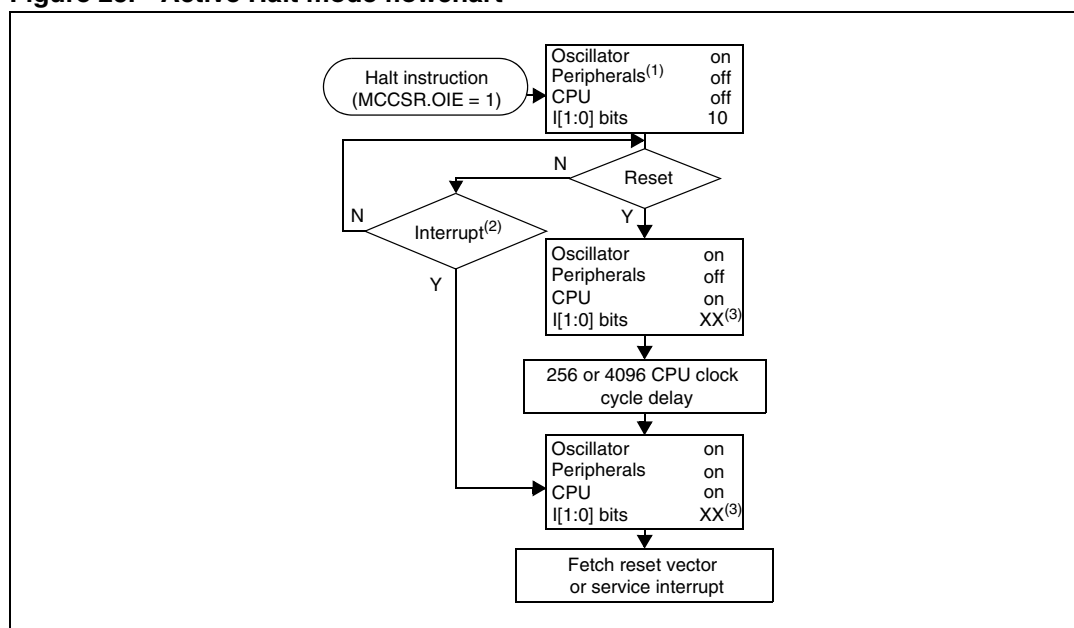
**Caution:** When exiting Active Halt mode following an interrupt, OIE bit of MCCSR register must not be cleared before  $t_{DELAY}$  after the interrupt occurs ( $t_{DELAY} = 256$  or  $4096 t_{CPU}$  delay depending on option byte). Otherwise, the ST7 enters Halt mode for the remaining  $t_{DELAY}$  period.

**Figure 24. Active Halt timing overview**



1. This delay occurs only if the MCU exits Active Halt mode by means of a reset.

Figure 25. Active Halt mode flowchart



1. Peripheral clocked with an external clock source can still be active.
2. Only the MCC/RTC interrupt and some specific interrupts can exit the MCU from Active Halt mode (such as external interrupt). Refer to [Table 25: Interrupt mapping on page 51](#) for more details.
3. Before servicing an interrupt, the CC register is pushed on the stack. The I[1:0] bits of the CC register are set to the current software priority level of the interrupt routine and restored when the CC register is popped.

## 8.4.2 Halt mode

The Halt mode is the lowest power consumption mode of the MCU. It is entered by executing the 'HALT' instruction when the OIE bit of the Main Clock Controller Status register (MCCSR) is cleared (see [Section 10.2: Main clock controller with real-time clock and beeper \(MCC/RTC\) on page 69](#) for more details on the MCCSR register).

The MCU can exit Halt mode on reception of either a specific interrupt (see [Table 25: Interrupt mapping](#)) or a reset. When exiting Halt mode by means of a reset or an interrupt, the oscillator is immediately turned on and the 256 or 4096 CPU cycle delay is used to stabilize the oscillator. After the start up delay, the CPU resumes operation by servicing the interrupt or by fetching the reset vector which woke it up (see [Figure 27](#)).

When entering Halt mode, the I[1:0] bits in the CC register are forced to '10b' to enable interrupts. Therefore, if an interrupt is pending, the MCU wakes up immediately.

In Halt mode, the main oscillator is turned off causing all internal processing to be stopped, including the operation of the on-chip peripherals. All peripherals are not clocked except the ones which get their clock supply from another clock generator (such as an external or auxiliary oscillator).

The compatibility of Watchdog operation with Halt mode is configured by the "WDGHALT" option bit of the option byte. The HALT instruction when executed while the Watchdog system is enabled, can generate a Watchdog reset (see [Section 14.1 on page 179](#)) for more details.

Figure 26. HALT timing overview

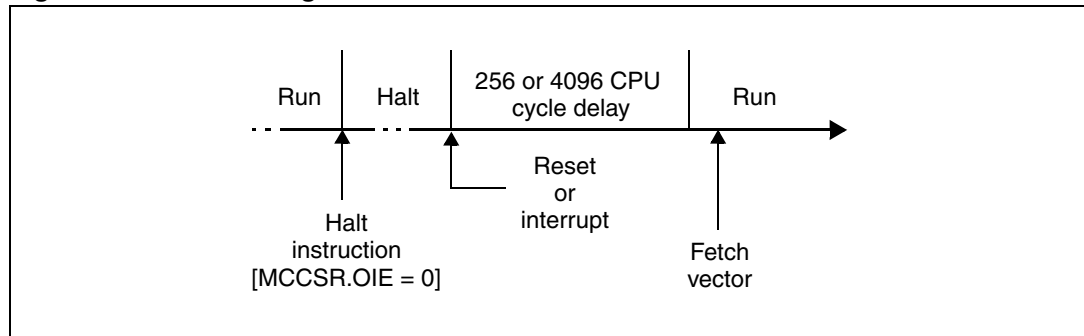
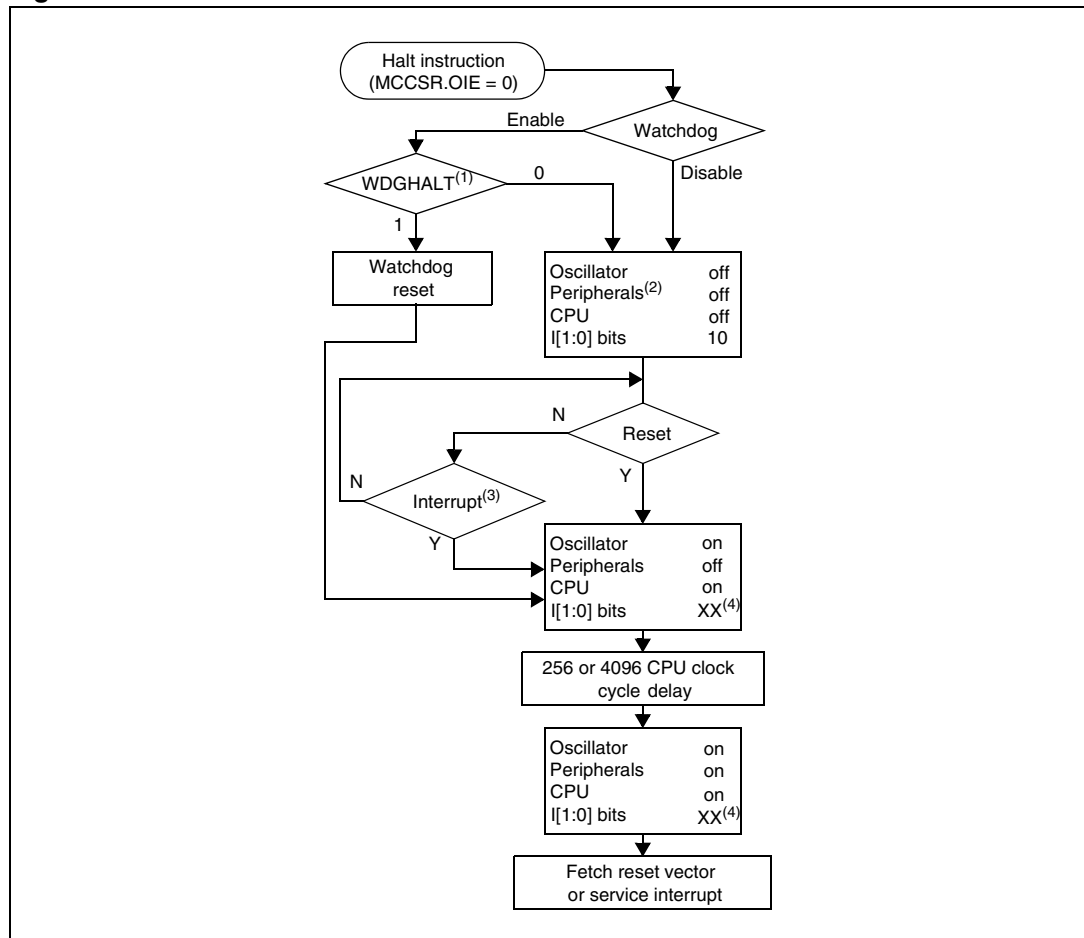


Figure 27. Halt mode flowchart



1. WDGHALT is an option bit. See [Section 14.1 on page 179](#) for more details.
2. Peripheral clocked with an external clock source can still be active.
3. Only some specific interrupts can exit the MCU from Halt mode (such as external interrupt). Refer to [Table 25: Interrupt mapping](#) for more details.
4. Before servicing an interrupt, the CC register is pushed on the stack. The I[1:0] bits of the CC register are set to the current software priority level of the interrupt routine and recovered when the CC register is popped.



**Halt mode recommendations**

- Make sure that an external event is available to wake up the microcontroller from Halt mode.
- When using an external interrupt to wake up the microcontroller, reinitialize the corresponding I/O as “Input Pull-up with Interrupt” before executing the HALT instruction. The main reason for this is that the I/O may be wrongly configured due to external interference or by an unforeseen logical condition.
- For the same reason, reinitialize the sensitivity level of each external interrupt as a precautionary measure.
- The opcode for the HALT instruction is 0x8E. To avoid an unexpected HALT instruction due to a program counter failure, it is advised to clear all occurrences of the data value 0x8E from memory. For example, avoid defining a constant in ROM with the value 0x8E.
- As the HALT instruction clears the interrupt mask in the CC register to allow interrupts, the user may choose to clear all pending interrupt bits before executing the HALT instruction. This avoids entering other peripheral interrupt routines after executing the external interrupt routine corresponding to the wake-up event (reset or external interrupt).

## 9 I/O ports

### 9.1 Introduction

The I/O ports offer different functional modes:

- transfer of data through digital inputs and outputs,

and for specific pins:

- external interrupt generation,
- alternate signal input/output for the on-chip peripherals.

An I/O port contains up to 8 pins. Each pin can be programmed independently as digital input (with or without interrupt generation) or digital output.

### 9.2 Functional description

Each port has two main registers:

- Data Register (DR)
- Data Direction Register (DDR)

and one optional register:

- Option Register (OR)

Each I/O pin may be programmed using the corresponding register bits in the DDR and OR registers: bit X corresponding to pin X of the port. The same correspondence is used for the DR register.

The following description takes into account the OR register, (for specific ports which do not provide this register refer to [Section 9.3: I/O port implementation on page 62](#)). The generic I/O block diagram is shown in [Figure 28](#).

#### 9.2.1 Input modes

The input configuration is selected by clearing the corresponding DDR register bit.

In this case, reading the DR register returns the digital value applied to the external I/O pin.

Different input modes can be selected by software through the OR register.

- Note:*
- 1 *Writing the DR register modifies the latch value but does not affect the pin status.*
  - 2 *When switching from input to output mode, the DR register has to be written first to drive the correct level on the pin as soon as the port is configured as an output.*
  - 3 *Do not use read/modify/write instructions (BSET or BRES) to modify the DR register as this might corrupt the DR content for I/Os configured as input.*

### External interrupt function

When an I/O is configured as 'Input with Interrupt', an event on this I/O can generate an external interrupt request to the CPU.

Each pin can independently generate an interrupt request. The interrupt sensitivity is independently programmable using the sensitivity bits in the EICR register.

Each external interrupt vector is linked to a dedicated group of I/O port pins (see pinout description and interrupt section). If several input pins are selected simultaneously as interrupt sources, these are first detected according to the sensitivity bits in the EICR register and then logically ORed.

The external interrupts are hardware interrupts, which means that the request latch (not accessible directly by the application) is automatically cleared when the corresponding interrupt vector is fetched. To clear an unwanted pending interrupt by software, the sensitivity bits in the EICR register must be modified.

### 9.2.2 Output modes

The output configuration is selected by setting the corresponding DDR register bit. In this case, writing the DR register applies this digital value to the I/O pin through the latch. Then reading the DR register returns the previously stored value.

Two different output modes can be selected by software through the OR register: Output push-pull and open-drain.

**Table 27. DR register value and output pin status**

| DR | Push-pull | Open-drain |
|----|-----------|------------|
| 0  | $V_{SS}$  | $V_{SS}$   |
| 1  | $V_{DD}$  | Floating   |

### 9.2.3 Alternate functions

When an on-chip peripheral is configured to use a pin, the alternate function is automatically selected. This alternate function takes priority over the standard I/O programming.

When the signal is coming from an on-chip peripheral, the I/O pin is automatically configured in output mode (push-pull or open drain according to the peripheral).

When the signal is going to an on-chip peripheral, the I/O pin must be configured in input mode. In this case, the pin state is also digitally readable by addressing the DR register.

*Note:* *Input pull-up configuration can cause unexpected value at the input of the alternate peripheral input. When an on-chip peripheral use a pin as input and output, this pin has to be configured in input floating mode.*

Figure 28. I/O port general block diagram

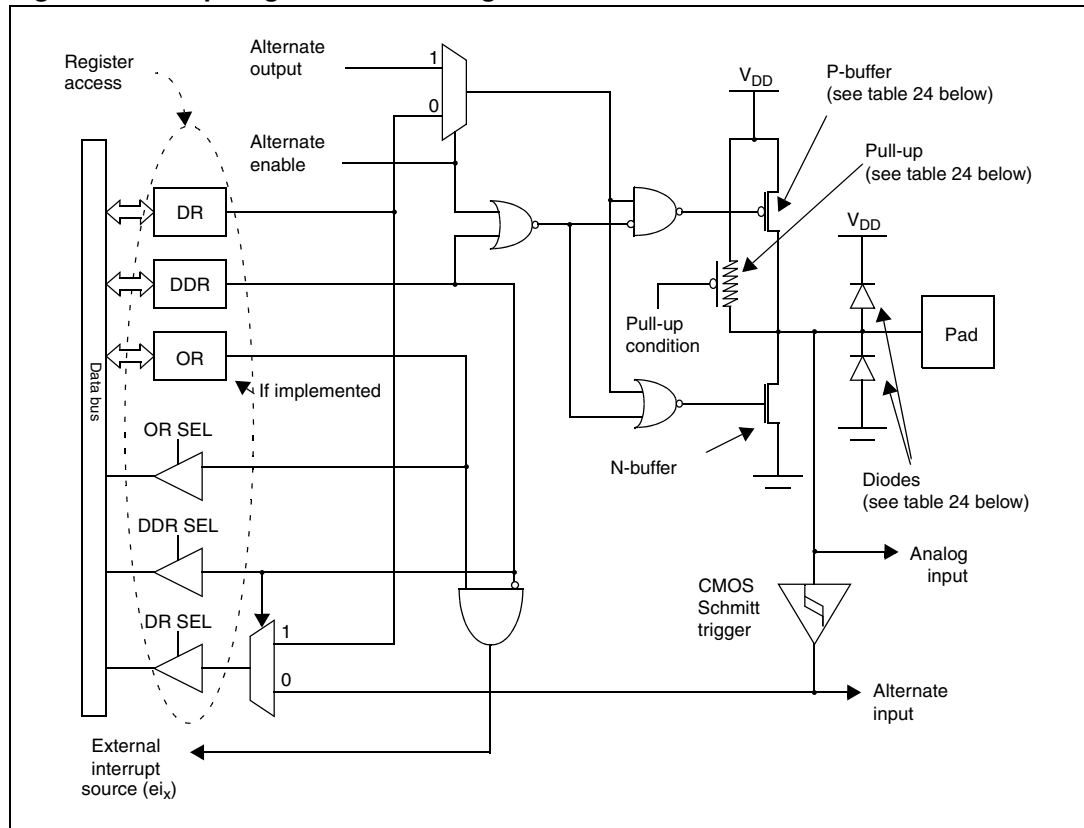
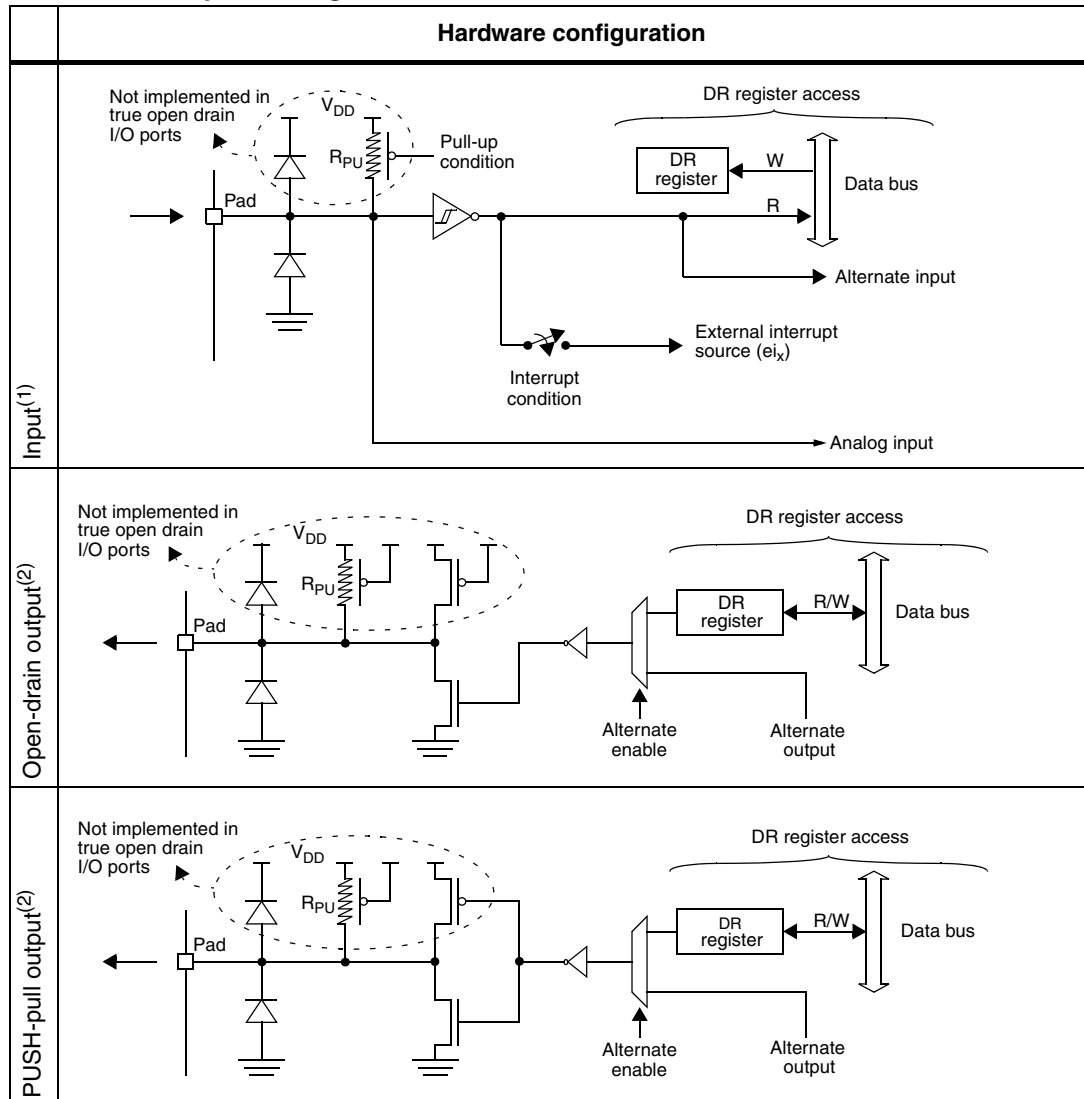


Table 28. I/O port mode options

| Configuration mode |                                 | Pull-up            | P-buffer | Diodes                            |                                   |
|--------------------|---------------------------------|--------------------|----------|-----------------------------------|-----------------------------------|
|                    |                                 |                    |          | to V <sub>DD</sub> <sup>(1)</sup> | to V <sub>SS</sub> <sup>(2)</sup> |
| Input              | Floating with/without Interrupt | Off <sup>(3)</sup> | Off      | On                                | On                                |
|                    | Pull-up with/without Interrupt  | On <sup>(4)</sup>  |          |                                   |                                   |
| Output             | Push-pull                       | Off                | On       | On                                | On                                |
|                    | Open drain (logic level)        |                    | Off      |                                   |                                   |
|                    | True open drain                 | NI                 | NI       | NI <sup>(5)</sup>                 |                                   |

1. The diode to V<sub>DD</sub> is not implemented in the true open drain pads.
2. A local protection between the pad and V<sub>SS</sub> is implemented to protect the device against positive stress.
3. Off = implemented not activated.
4. On = implemented and activated.
5. NI = not implemented

**Table 29. I/O port configurations**



1. When the I/O port is in input configuration and the associated alternate function is enabled as an output, reading the DR register will read the alternate function output status.
2. When the I/O port is in output configuration and the associated alternate function is enabled as an input, the alternate function reads the pin status given by the DR register content.

**Caution:** The alternate function must not be activated as long as the pin is configured as input with interrupt, in order to avoid generating spurious interrupts.

### Analog alternate function

When the pin is used as an ADC input, the I/O must be configured as floating input. The analog multiplexer (controlled by the ADC registers) switches the analog voltage present on the selected pin to the common analog rail which is connected to the ADC input.

It is recommended not to change the voltage level or loading on any port pin while conversion is in progress. Furthermore it is recommended not to have clocking pins located close to a selected analog pin.

---

**Warning:** The analog input voltage level must be within the limits stated in the absolute maximum ratings.

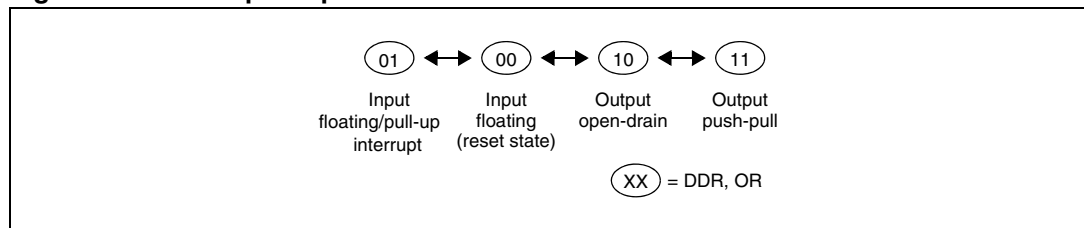
---

## 9.3 I/O port implementation

The hardware implementation on each I/O port depends on the settings in the DDR and OR registers and specific feature of the I/O port such as ADC Input or true open drain.

Switching these I/O ports from one state to another should be done in a sequence that prevents unwanted side effects. Recommended safe transitions are illustrated in [Figure 29](#). Other transitions are potentially risky and should be avoided, since they are likely to present unwanted side-effects such as spurious interrupt generation.

**Figure 29. Interrupt I/O port state transitions**



## 9.4 Low power modes

**Table 30. Effect of low power modes on I/O ports**

| Mode | Description  |
|------|--|
| Wait | No effect on I/O ports. External interrupts cause the device to exit from Wait mode. |
| Halt | No effect on I/O ports. External interrupts cause the device to exit from Halt mode. |

## 9.5 Interrupts

The external interrupt event generates an interrupt if the corresponding configuration is selected with DDR and OR registers and the interrupt mask in the CC register is not active (RIM instruction).

**Table 31. I/O port interrupt control/wake-up capability**

| Interrupt event                               | Event flag | Enable Control bit | Exit from WAIT | Exit from HALT |
|---|------------|--------------------|----------------|----------------|
| External interrupt on selected external event | -          | DDRx, ORx          | Yes            | Yes            |

### 9.5.1 I/O port implementation

The I/O port register configurations are summarized [Table 32](#).

**Table 32. Port configuration**

| Port   | Pin name   | Input (DDR = 0) |                    | Output (DDR = 1)            |           |
|--------|------------|-----------------|--------------------|-----------------------------|-----------|
|        |            | OR = 0          | OR = 1             | OR = 0                      | OR = 1    |
| Port A | PA7:6      | Floating        |                    | True open-drain (high sink) |           |
|        | PA5:4      | Floating        | Pull-up            | Open drain                  | Push-pull |
|        | PA3        | Floating        | Floating interrupt | Open drain                  | Push-pull |
| Port B | PB3        | Floating        | Floating interrupt | Open drain                  | Push-pull |
|        | PB4, PB2:0 | Floating        | Pull-up            | Open drain                  | Push-pull |
| Port C | PC7:0      | Floating        | Pull-up            | Open drain                  | Push-pull |
| Port D | PD5:0      | Floating        | Pull-up            | Open drain                  | Push-pull |
| Port E | PE1:0      | Floating        | Pull-up            | Open drain                  | Push-pull |
| Port F | PF7:6, 4   | Floating        | Pull-up            | Open drain                  | Push-pull |
|        | PF2:0      | Floating        | Pull-up            | Open drain                  | Push-pull |

**Table 33. I/O port register map and reset values**

| Address (Hex.)                        | Register label | 7   | 6 | 5 | 4 | 3 | 2 | 1 | 0   |
|---------------------------------------|----------------|-----|---|---|---|---|---|---|-----|
| Reset value of all I/O port registers |                | 0   | 0 | 0 | 0 | 0 | 0 | 0 | 0   |
| 0000h                                 | PADR           | MSB |   |   |   |   |   |   | LSB |
| 0001h                                 | PADDR          |     |   |   |   |   |   |   |     |
| 0002h                                 | PAOR           |     |   |   |   |   |   |   |     |
| 0003h                                 | PBDR           | MSB |   |   |   |   |   |   | LSB |
| 0004h                                 | PBDDR          |     |   |   |   |   |   |   |     |
| 0005h                                 | PBOR           |     |   |   |   |   |   |   |     |
| 0006h                                 | PCDR           | MSB |   |   |   |   |   |   | LSB |
| 0007h                                 | PCDDR          |     |   |   |   |   |   |   |     |
| 0008h                                 | PCOR           |     |   |   |   |   |   |   |     |
| 0009h                                 | PDDR           | MSB |   |   |   |   |   |   | LSB |
| 000Ah                                 | PDDDR          |     |   |   |   |   |   |   |     |
| 000Bh                                 | PDOR           |     |   |   |   |   |   |   |     |

**Table 33. I/O port register map and reset values (continued)**

| Address (Hex.) | Register label | 7   | 6 | 5 | 4 | 3 | 2 | 1 | 0   |
|----------------|----------------|-----|---|---|---|---|---|---|-----|
| 000Ch          | PEDR           | MSB |   |   |   |   |   |   | LSB |
| 000Dh          | PEDDR          |     |   |   |   |   |   |   |     |
| 000Eh          | PEOR           |     |   |   |   |   |   |   |     |
| 000Fh          | PFDR           | MSB |   |   |   |   |   |   | LSB |
| 0010h          | PFDDR          |     |   |   |   |   |   |   |     |
| 0011h          | PFOR           |     |   |   |   |   |   |   |     |



## 10 On-chip peripherals

### 10.1 Watchdog timer (WDG)

#### 10.1.1 Introduction

The Watchdog timer is used to detect the occurrence of a software fault, usually generated by external interference or by unforeseen logical conditions, which causes the application program to abandon its normal sequence. The Watchdog circuit generates an MCU reset on expiry of a programmed time period, unless the program refreshes the counter's contents before the T6 bit becomes cleared.

#### 10.1.2 Main features

- Programmable free-running downcounter
- Programmable reset
- Reset (if Watchdog activated) when the T6 bit reaches zero
- Optional reset on HALT instruction (configurable by option byte)
- Hardware Watchdog selectable by option byte

#### 10.1.3 Functional description

The counter value stored in the Watchdog Control register (WDGCR bits T[6:0]), is decremented every  $16384 f_{OSC2}$  cycles (approx.), and the length of the timeout period can be programmed by the user in 64 increments.

If the watchdog is activated (the WDGA bit is set) and when the 7-bit timer (bits T[6:0]) rolls over from 40h to 3Fh (T6 becomes cleared), it initiates a reset cycle pulling low the reset pin for typically 30 $\mu$ s.

The application program must write in the WDGCR register at regular intervals during normal operation to prevent an MCU reset. This downcounter is free-running: it counts down even if the watchdog is disabled. The value to be stored in the WDGCR register must be between FFh and C0h:

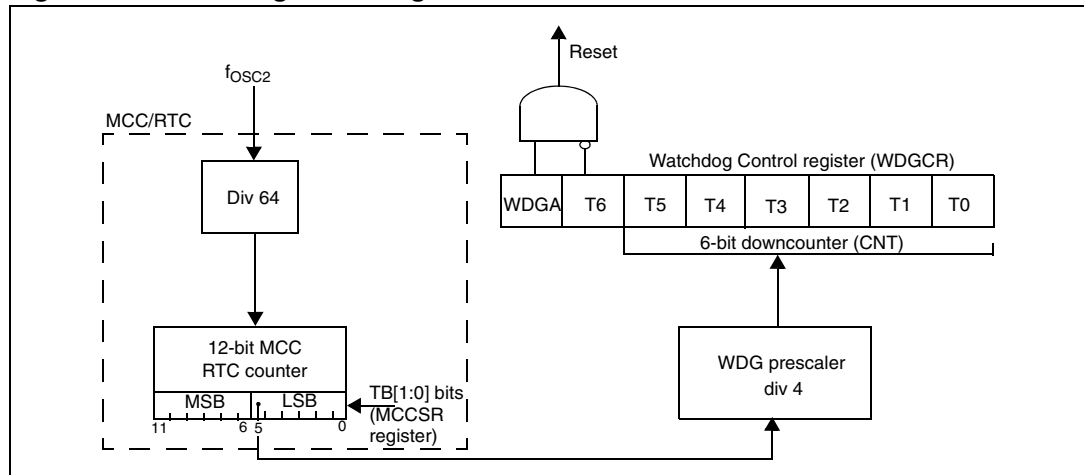
- The WDGA bit is set (Watchdog enabled)
- The T6 bit is set to prevent generating an immediate reset
- The T[5:0] bits contain the number of increments which represents the time delay before the Watchdog produces a reset (see [Figure 31: Approximate timeout duration](#)). The timing varies between a minimum and a maximum value due to the unknown status of the prescaler when writing to the WDGCR register (see [Figure 32](#)).

Following a reset, the watchdog is disabled. Once activated it cannot be disabled, except by a reset.

The T6 bit can be used to generate a software reset (the WDGA bit is set and the T6 bit is cleared).

If the Watchdog is activated, the HALT instruction generates a reset.

Figure 30. Watchdog block diagram

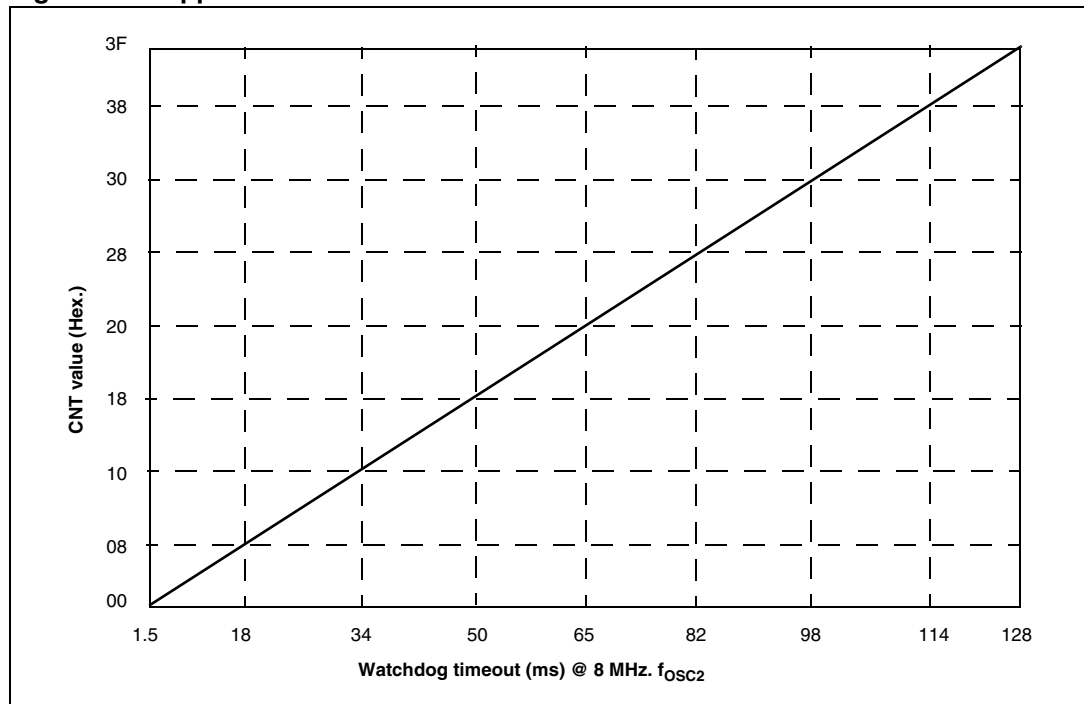


### 10.1.4 How to program the Watchdog timeout

Figure 31 shows the linear relationship between the 6-bit value to be loaded in the Watchdog Counter (CNT) and the resulting timeout duration in milliseconds. This can be used for a quick calculation without taking the timing variations into account. If more precision is needed, use the formulae in Figure 32.

**Caution:** When writing to the WDGCR register, always write 1 in the T6 bit to avoid generating an immediate reset.

Figure 31. Approximate timeout duration



**Figure 32. Exact timeout duration ( $t_{min}$  and  $t_{max}$ )**

**WHERE:**

$$t_{min0} = (LSB + 128) \times 64 \times t_{OSC2}$$

$$t_{max0} = 16384 \times t_{OSC2}$$

$$t_{OSC2} = 125ns \text{ if } f_{OSC2} = 8 \text{ MHz}$$

CNT = value of T[5:0] bits in the WDGCR register (6 bits)

MSB and LSB are values from the table below depending on the timebase selected by the TB[1:0] bits in the MCCSR register

| TB1 bit (MCCSR reg.) | TB0 bit (MCCSR reg.) | Selected MCCSR timebase | MSB | LSB |
|----------------------|----------------------|-------------------------|-----|-----|
| 0                    | 0                    | 2ms                     | 4   | 59  |
| 0                    | 1                    | 4ms                     | 8   | 53  |
| 1                    | 0                    | 10ms                    | 20  | 35  |
| 1                    | 1                    | 25ms                    | 49  | 54  |

To calculate the minimum Watchdog timeout ( $t_{min}$ ):

**IF**  $CNT < \lfloor \frac{MSB}{4} \rfloor$  **THEN**  $t_{min} = t_{min0} + 16384 \times CNT \times t_{osc2}$

**ELSE**  $t_{min} = t_{min0} + \left[ 16384 \times \left( CNT - \lfloor \frac{4CNT}{MSB} \rfloor \right) + (192 + LSB) \times 64 \times \lfloor \frac{4CNT}{MSB} \rfloor \right] \times t_{osc2}$

To calculate the maximum Watchdog timeout ( $t_{max}$ ):

**IF**  $CNT \leq \lfloor \frac{MSB}{4} \rfloor$  **THEN**  $t_{max} = t_{max0} + 16384 \times CNT \times t_{osc2}$

**ELSE**  $t_{max} = t_{max0} + \left[ 16384 \times \left( CNT - \lfloor \frac{4CNT}{MSB} \rfloor \right) + (192 + LSB) \times 64 \times \lfloor \frac{4CNT}{MSB} \rfloor \right] \times t_{osc2}$

**NOTE:** In the above formulae, division results must be rounded down to the next integer value.

**EXAMPLE:** With 2ms timeout selected in MCCSR register

| Value of T[5:0] bits in WDGCR register (Hex.) | Min. Watchdog timeout (ms) $t_{min}$ | Max. Watchdog timeout (ms) $t_{max}$ |
|---|--------------------------------------|--------------------------------------|
| 00  | 1.496                                | 2.048                                |
| 3F  | 128                                  | 128.552                              |

### 10.1.5 Low power modes

**Table 34. Effect of lower power modes on Watchdog**

| Mode | Description               |                            |  |
|------|---------------------------|----------------------------|--|
| Slow | No effect on Watchdog     |                            |  |
| Wait |                           |                            |  |
| Halt | OIE bit in MCCSR register | WDGHALT bit in option byte |  |
|      | 0                         | 0                          | No Watchdog reset is generated. The MCU enters Halt mode. The Watchdog counter is decremented once and then stops counting and is no longer able to generate a watchdog reset until the MCU receives an external interrupt or a reset.<br>If an external interrupt is received, the Watchdog restarts counting after 256 or 4096 CPU clocks. If a reset is generated, the Watchdog is disabled (reset state) unless Hardware Watchdog is selected by option byte. For application recommendations, see <a href="#">Section 10.1.7</a> below. |
|      | 0                         | 1                          | A reset is generated.  |
|      | 1                         | x                          | No reset is generated. The MCU enters Active Halt mode. The Watchdog counter is not decremented. It stop counting. When the MCU receives an oscillator interrupt or external interrupt, the Watchdog restarts counting immediately. When the MCU receives a reset the Watchdog restarts counting after 256 or 4096 CPU clocks.   |

### 10.1.6 Hardware Watchdog option

If Hardware Watchdog is selected by option byte, the watchdog is always active and the WDGA bit in the WDGCR is not used. Refer to the option byte description in [Section 14.1: Flash devices](#).

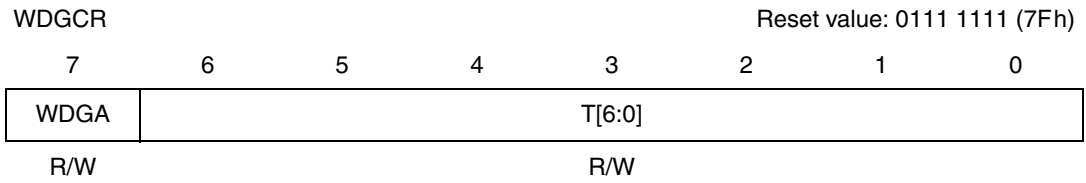
### 10.1.7 Using Halt mode with the WDG (WDGHALT option)

The following recommendation applies if Halt mode is used when the watchdog is enabled: Before executing the HALT instruction, refresh the WDG counter to avoid an unexpected WDG reset immediately after waking up the microcontroller.

### 10.1.8 Interrupts

None.

### 10.1.9 Control register (WDGCR)



**Table 35. WDGCR register description**

| Bit | Name   | Function   |
|-----|--------|--|
| 7   | WDGA   | Activation bit<br>This bit is set by software and only cleared by hardware after a reset. When WDGA = 1, the watchdog can generate a reset.<br>0: Watchdog disabled<br>1: Watchdog enabled<br><i>Note: This bit is not used if the hardware watchdog option is enabled by option byte.</i> |
| 6:0 | T[6:0] | 7-bit counter (MSB to LSB)<br>These bits contain the value of the Watchdog counter, which is decremented every 16384 f <sub>OSC2</sub> cycles (approx.). A reset is produced when it rolls over from 40h to 3Fh (T6 is cleared).   |

**Table 36. Watchdog timer register map and reset values**

| Address (Hex.) | Register label       | 7         | 6       | 5       | 4       | 3       | 2       | 1       | 0       |
|----------------|----------------------|-----------|---------|---------|---------|---------|---------|---------|---------|
| 002Ah          | WDGCR<br>reset value | WDGA<br>0 | T6<br>1 | T5<br>1 | T4<br>1 | T3<br>1 | T2<br>1 | T1<br>1 | T0<br>1 |

## 10.2 Main clock controller with real-time clock and beeper (MCC/RTC)

The main clock controller consists of three different functions:

- a programmable CPU clock prescaler
- a clock-out signal to supply external devices
- a real-time clock timer with interrupt capability

Each function can be used independently and simultaneously.

### 10.2.1 Programmable CPU clock prescaler

The programmable CPU clock prescaler supplies the clock for the ST7 CPU and its internal peripherals. It manages Slow power saving mode (see [Section 8.2: Slow mode on page 52](#) for more details).

The prescaler selects the f<sub>CPU</sub> main clock frequency and is controlled by three bits in the MCCR register: CP[1:0] and SMS.

### 10.2.2 Clock-out capability

The clock-out capability is an alternate function of an I/O port pin that outputs the  $f_{CPU}$  clock to drive external devices. It is controlled by the MCO bit in the MCCSR register.

**Caution:** When selected, the clock out pin suspends the clock during Active Halt mode.

### 10.2.3 Real-time clock (RTC) timer

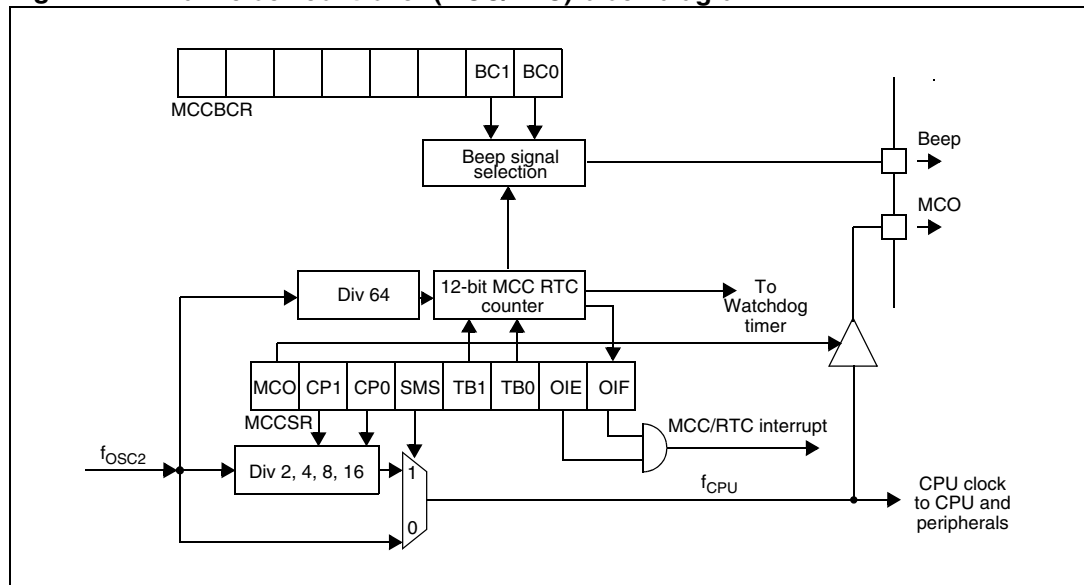
The counter of the real-time clock timer allows an interrupt to be generated based on an accurate real-time clock. Four different time bases depending directly on  $f_{OSC2}$  are available. The whole functionality is controlled by four bits of the MCCSR register: TB[1:0], OIE and OIF.

When the RTC interrupt is enabled (OIE bit set), the ST7 enters Active Halt mode when the HALT instruction is executed. See [Section 8.4: Active Halt and Halt modes on page 54](#) for more details.

### 10.2.4 Beeper

The beep function is controlled by the MCCBCR register. It can output three selectable frequencies on the Beep pin (I/O port alternate function).

**Figure 33. Main clock controller (MCC/RTC) block diagram**



### 10.2.5 Low power modes

**Table 37. Effect of low power modes on MCC/RTC**

| Mode        | Description  |
|-------------|--|
| Wait        | No effect on MCC/RTC peripheral. MCC/RTC interrupt causes the device to exit from Wait mode.   |
| Active Halt | No effect on MCC/RTC counter (OIE bit is set), the registers are frozen. MCC/RTC interrupt causes the device to exit from Active Halt mode.  |
| Halt        | MCC/RTC counter and registers are frozen. MCC/RTC operation resumes when the MCU is woken up by an interrupt with Exit from Halt capability. |

### 10.2.6 Interrupts

The MCC/RTC interrupt event generates an interrupt if the OIE bit of the MCCR register is set and the interrupt mask in the CC register is not active (RIM instruction).

**Table 38. MCC/RTC interrupt control/wake-up capability**

| Interrupt event          | Event flag | Enable control bit | Exit from WAIT | Exit from HALT    |
|--------------------------|------------|--------------------|----------------|-------------------|
| Time base overflow event | OIF        | OIE                | Yes            | No <sup>(1)</sup> |

1. The MCC/RTC interrupt wakes up the MCU from Active Halt mode, not from Halt mode.

### 10.2.7 MCC registers

#### MCC control/status register (MCCR)

MCCR

Reset value: 0000 0000 (00h)

| 7   | 6       | 5   | 4       | 3   | 2   | 1   | 0   |
|-----|---------|-----|---------|-----|-----|-----|-----|
| MCO | CP[1:0] | SMS | TB[1:0] | OIE | OIF |     |     |
| R/W | R/W     | R/W | R/W     | R/W | R/W | R/W | R/W |

**Table 39. MCCR register description**

| Bit | Name | Function  |
|-----|------|---|
| 7   | MCO  | Main Clock Out selection<br>This bit enables the MCO alternate function on the PF0 I/O port. It is set and cleared by software.<br>0: MCO alternate function disabled (I/O pin free for general-purpose I/O).<br>1: MCO alternate function enabled (f <sub>CPU</sub> on I/O port).<br><i>Note: To reduce power consumption, the MCO function is not active in Active Halt mode.</i> |

**Table 39. MCCSR register description (continued)**

| Bit | Name    | Function  |
|-----|---------|---|
| 6:5 | CP[1:0] | <p>CPU Clock Prescaler</p> <p>These bits select the CPU clock prescaler which is applied in different slow modes. Their action is conditioned by the setting of the SMS bit. These two bits are set and cleared by software:</p> <p>00: <math>f_{CPU}</math> in Slow mode = <math>f_{OSC2}/2</math><br/>                     01: <math>f_{CPU}</math> in Slow mode = <math>f_{OSC2}/4</math><br/>                     10: <math>f_{CPU}</math> in Slow mode = <math>f_{OSC2}/8</math><br/>                     11: <math>f_{CPU}</math> in Slow mode = <math>f_{OSC2}/16</math></p> |
| 4   | SMS     | <p>Slow Mode Select</p> <p>This bit is set and cleared by software.</p> <p>0: Normal mode. <math>f_{CPU} = f_{OSC2}</math>.<br/>                     1: Slow mode. <math>f_{CPU}</math> is given by CP1, CP0.<br/>                     See <a href="#">Section 8.2: Slow mode</a> and <a href="#">Section 10.2: Main clock controller with real-time clock and beeper (MCC/RTC)</a> for more details.</p>   |
| 3:2 | TB[1:0] | <p>Time Base control</p> <p>These bits select the programmable divider time base. They are set and cleared by software (see <a href="#">Table 40</a>). A modification of the time base is taken into account at the end of the current period (previously set) to avoid an unwanted time shift. This allows to use this time base as a real-time clock.</p>   |
| 1   | OIE     | <p>Oscillator interrupt Enable</p> <p>This bit set and cleared by software.</p> <p>0: Oscillator interrupt disabled<br/>                     1: Oscillator interrupt enabled</p> <p>This interrupt can be used to exit from Active Halt mode. When this bit is set, calling the ST7 software HALT instruction enters the Active Halt power saving mode.</p>   |
| 0   | OIF     | <p>Oscillator interrupt Flag</p> <p>This bit is set by hardware and cleared by software reading the MCCSR register. It indicates when set that the main oscillator has reached the selected elapsed time (TB1:0).</p> <p>0: Timeout not reached<br/>                     1: Timeout reached</p> <p><b>Caution:</b> The BRES and BSET instructions must not be used on the MCCSR register to avoid unintentionally clearing the OIF bit.</p>   |

**Table 40. Time base selection**

| Counter prescaler | Time base                  |                            | TB1 | TB0 |
|-------------------|----------------------------|----------------------------|-----|-----|
|                   | $f_{OSC2} = 4 \text{ MHz}$ | $f_{OSC2} = 8 \text{ MHz}$ |     |     |
| 16000             | 4ms                        | 2ms                        | 0   | 0   |
| 32000             | 8ms                        | 4ms                        | 0   | 1   |
| 80000             | 20ms                       | 10ms                       | 1   | 0   |
| 200000            | 50ms                       | 25ms                       | 1   | 1   |



**MCC beep control register (MCCBCR)**

MCCBCR Reset value: 0000 0000 (00h)

|          |   |   |   |   |   |         |   |
|----------|---|---|---|---|---|---------|---|
| 7        | 6 | 5 | 4 | 3 | 2 | 1       | 0 |
| Reserved |   |   |   |   |   | BC[1:0] |   |
| -        |   |   |   |   |   | R/W     |   |

**Table 41. MCCBCR register description**

| Bit | Name    | Function   |
|-----|---------|--|
| 7:2 | -       | Reserved, must be kept cleared   |
| 1:0 | BC[1:0] | Beep Control<br>These 2 bits select the PF1 pin beep capability (see <a href="#">Table 42</a> ). The beep output signal is available in Active Halt mode but has to be disabled to reduce the consumption. |

**Table 42. Beep frequency selection**

| BC1 | BC0 | Beep mode with f <sub>OSC2</sub> = 8 MHz |  |
|-----|-----|--|--|
| 0   | 0   | Off                                      |  |
| 0   | 1   | ~2 kHz                                   | Output<br>Beep signal<br>~50% duty cycle |
| 1   | 0   | ~1 kHz                                   |  |
| 1   | 1   | ~500 Hz                                  |  |

**Table 43. Main clock controller register map and reset values**

| Address (Hex.) | Register label        | 7        | 6          | 5         | 4          | 3        | 2        | 1        | 0          |
|----------------|-----------------------|----------|------------|-----------|------------|----------|----------|----------|------------|
| 002Bh          | SICSR<br>Reset value  | 0        | AVDIE<br>0 | AVDF<br>0 | LVDRF<br>x | 0        | 0        | 0        | WDGRF<br>x |
| 002Ch          | MCCSR<br>Reset value  | MCO<br>0 | CP1<br>0   | CP0<br>0  | SMS<br>0   | TB1<br>0 | TB0<br>0 | OIE<br>0 | OIF<br>0   |
| 002Dh          | MCCBCR<br>Reset value | 0        | 0          | 0         | 0          | 0        | 0        | BC1<br>0 | BC0<br>0   |

## 10.3 16-bit timer

### 10.3.1 Introduction

The timer consists of a 16-bit free-running counter driven by a programmable prescaler.

It may be used for a variety of purposes, including pulse length measurement of up to two input signals (input capture) or generation of up to two output waveforms (output compare and PWM).

Pulse lengths and waveform periods can be modulated from a few microseconds to several milliseconds using the timer prescaler and the CPU clock prescaler.

Some ST7 devices have two on-chip 16-bit timers. They are completely independent, and do not share any resources. They are synchronized after a MCU reset as long as the timer clock frequencies are not modified.

This description covers one or two 16-bit timers. In ST7 devices with two timers, register names are prefixed with TA (Timer A) or TB (Timer B).

### 10.3.2 Main features

- Programmable prescaler:  $f_{CPU}$  divided by 2, 4 or 8
- Overflow status flag and maskable interrupt
- External clock input (must be at least four times slower than the CPU clock speed) with the choice of active edge
- 1 or 2 output compare functions each with:
  - 2 dedicated 16-bit registers
  - 2 dedicated programmable signals
  - 2 dedicated status flags
  - 1 dedicated maskable interrupt
- 1 or 2 input capture functions each with:
  - 2 dedicated 16-bit registers
  - 2 dedicated active edge selection signals
  - 2 dedicated status flags
  - 1 dedicated maskable interrupt
- Pulse width modulation mode (PWM)
- One pulse mode
- Reduced power mode
- 5 alternate functions on I/O ports (ICAP1, ICAP2, OCMP1, OCMP2, EXTCLK)<sup>(c)</sup>

The timer block diagram is shown in [Figure 34](#).

---

c. Some timer pins may not be available (not bonded) in some ST7 devices. Refer to [Section 2: Pin description](#). When reading an input signal on a non-bonded pin, the value will always be '1'.

### 10.3.3 Functional description

#### Counter

The main block of the programmable timer is a 16-bit free running upcounter and its associated 16-bit registers. The 16-bit registers are made up of two 8-bit registers called high and low.

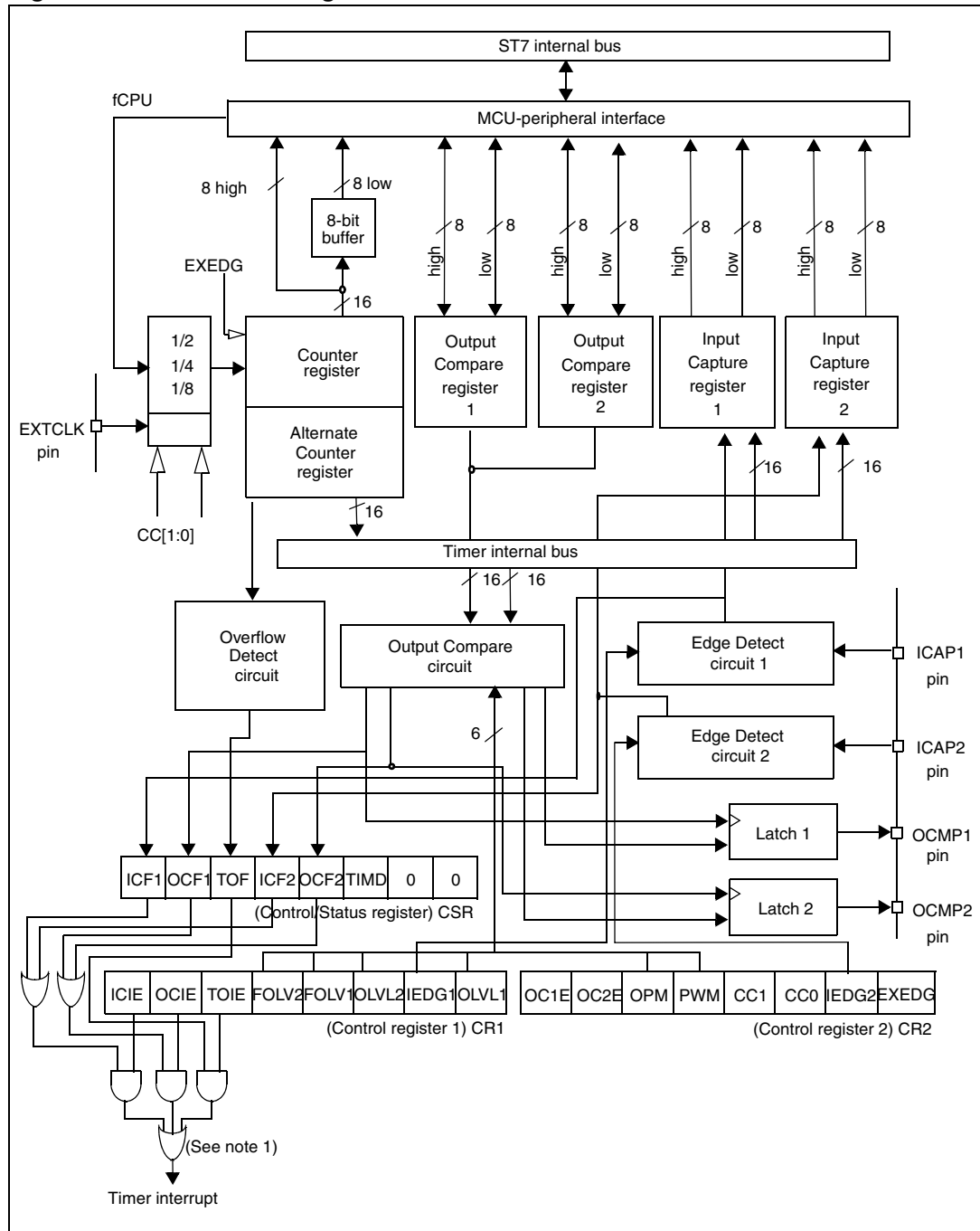
- Counter Register (CR)
  - Counter High Register (CHR) is the most significant byte (MSB)
  - Counter Low Register (CLR) is the least significant byte (LSB)
- Alternate Counter Register (ACR)
  - Alternate Counter High Register (ACHR) is the most significant byte (MSB)
  - Alternate Counter Low Register (ACLR) is the least significant byte (LSB)

These two read-only 16-bit registers contain the same value but with the difference that reading the ACLR register does not clear the TOF bit (timer overflow flag), located in the Status register (SR) (see note at the end of paragraph entitled [16-bit read sequence](#)).

Writing in the CLR register or ACLR register resets the free running counter to the FFFCh value. Both counters have a reset value of FFFCh (this is the only value which is reloaded in the 16-bit timer). The reset value of both counters is also FFFCh in one pulse mode and PWM mode.

The timer clock depends on the clock control bits of the CR2 register, as illustrated in [Table 50](#). The value in the counter register repeats every 131072, 262144 or 524288 CPU clock cycles depending on the CC[1:0] bits. The timer frequency can be  $f_{CPU}/2$ ,  $f_{CPU}/4$ ,  $f_{CPU}/8$  or an external frequency.

Figure 34. Timer block diagram

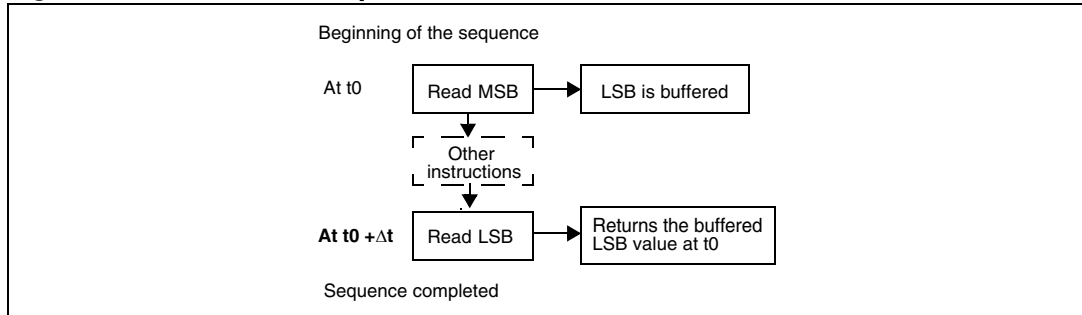


1. If IC, OC and TO interrupt requests have separate vectors then the last OR is not present (see [Table 25: Interrupt mapping on page 51](#)).

### 16-bit read sequence

The 16-bit read sequence (from either the Counter register or the Alternate Counter register) is illustrated in the following [Figure 35](#).

**Figure 35. 16-bit read sequence**



The user must first read the MSB, after which the LSB value is automatically buffered.

This buffered value remains unchanged until the 16-bit read sequence is completed, even if the user reads the MSB several times.

After a complete reading sequence, if only the CLR register or ACLR register are read, they return the LSB of the count value at the time of the read.

Whatever the timer mode used (input capture, output compare, one pulse mode or PWM mode) an overflow occurs when the counter rolls over from FFFFh to 0000h then:

- The TOF bit of the SR register is set.
- A timer interrupt is generated if:
  - TOIE bit of the CR1 register is set and
  - I bit of the CC register is cleared.

If one of these conditions is false, the interrupt remains pending to be issued as soon as they are both true.

Clearing the overflow interrupt request is done in two steps:

1. Reading the SR register while the TOF bit is set.
2. An access (read or write) to the CLR register.

*Note: The TOF bit is not cleared by access to the ACLR register. The advantage of accessing the ACLR register rather than the CLR register is that it allows simultaneous use of the overflow function and reading the free running counter at random times (for example, to measure elapsed time) without the risk of clearing the TOF bit erroneously.*

The timer is not affected by Wait mode.

In Halt mode, the counter stops counting until the mode is exited. Counting then resumes from the previous count (MCU awakened by an interrupt) or from the reset count (MCU awakened by a reset).

**External clock**

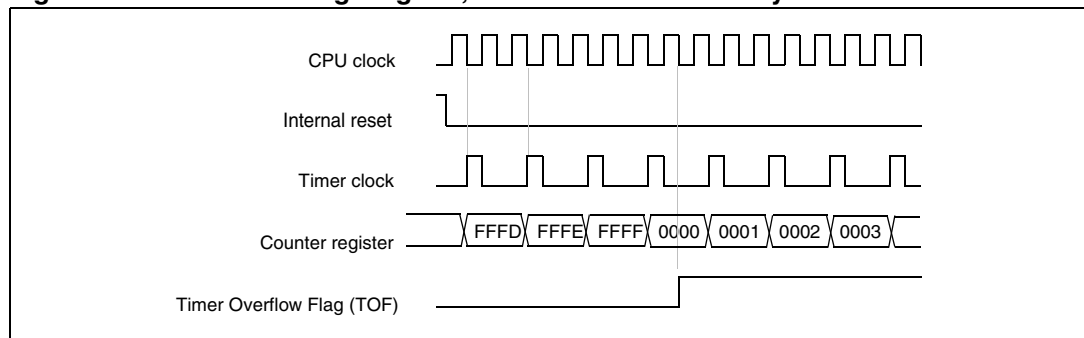
The external clock (where available) is selected if CC0 = 1 and CC1 = 1 in the CR2 register.

The status of the EXEDG bit in the CR2 register determines the type of level transition on the external clock pin EXTCLK that will trigger the free running counter.

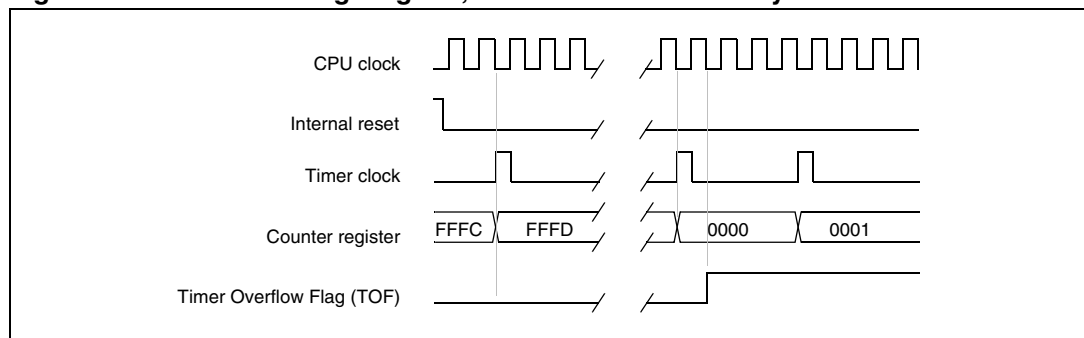
The counter is synchronized with the falling edge of the internal CPU clock.

A minimum of four falling edges of the CPU clock must occur between two consecutive active edges of the external clock; thus the external clock frequency must be less than a quarter of the CPU clock frequency.

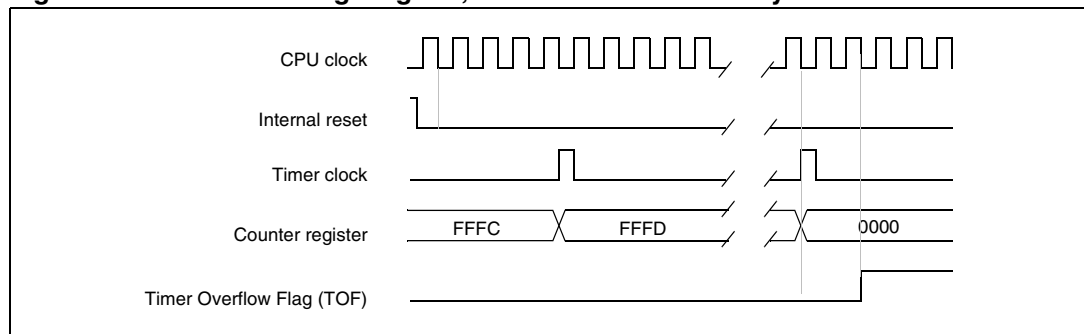
**Figure 36. Counter timing diagram, internal clock divided by 2**



**Figure 37. Counter timing diagram, internal clock divided by 4**



**Figure 38. Counter timing diagram, internal clock divided by 8**



*Note: The MCU is in reset state when the internal reset signal is high, when it is low the MCU is running.*

## Input capture

In this section, the index,  $i$ , may be 1 or 2 because there are two input capture functions in the 16-bit timer.

The two 16-bit input capture registers (IC1R/IC2R) are used to latch the value of the free running counter after a transition is detected on the ICAP $i$  pin (see [Figure 40](#)).

**Table 44. Input capture byte distribution**

| Register | MS byte | LS byte |
|----------|---------|---------|
| ICiR     | ICiHR   | ICiLR   |

The ICiR registers are read-only registers.

The active transition is software programmable through the IEDG $i$  bit of Control Registers (CR $i$ ).

Timing resolution is one count of the free running counter: ( $f_{CPU}/CC[1:0]$ ).

## Procedure

To use the input capture function select the following in the CR2 register:

- Select the timer clock (CC[1:0]) (see [Table 50](#)).
- Select the edge of the active transition on the ICAP2 pin with the IEDG2 bit (the ICAP2 pin must be configured as floating input or input with pull-up without interrupt if this configuration is available).

Select the following in the CR1 register:

- Set the ICIE bit to generate an interrupt after an input capture coming from either the ICAP1 pin or the ICAP2 pin
- Select the edge of the active transition on the ICAP1 pin with the IEDG1 bit (the ICAP1 pin must be configured as floating input or input with pull-up without interrupt if this configuration is available).

When an input capture occurs:

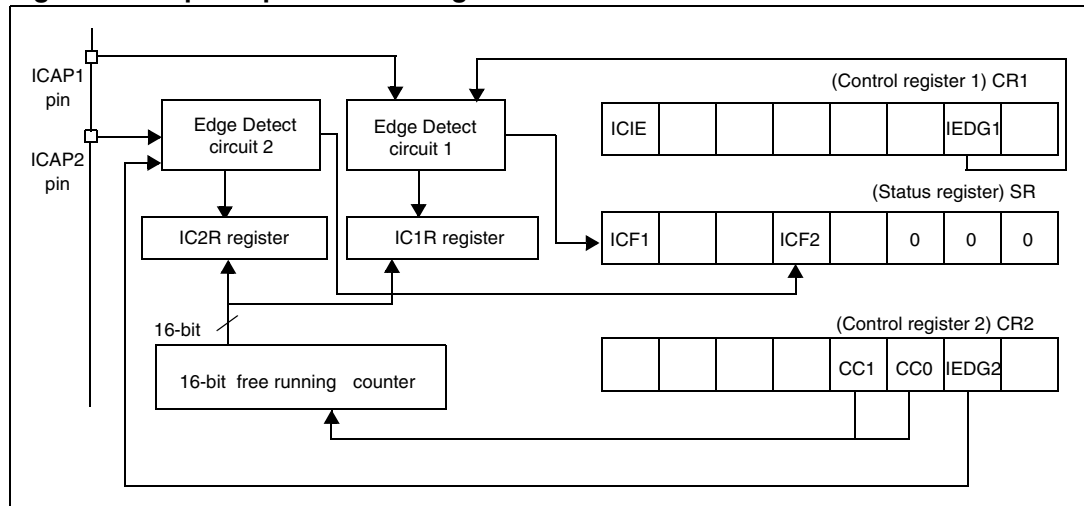
- ICF $i$  bit is set.
- The ICiR register contains the value of the free running counter on the active transition on the ICAP $i$  pin (see [Figure 40](#)).
- A timer interrupt is generated if the ICIE bit is set and the I bit is cleared in the CC register. Otherwise, the interrupt remains pending until both conditions become true.

Clearing the Input Capture interrupt request (that is, clearing the ICF $i$  bit) is done in two steps:

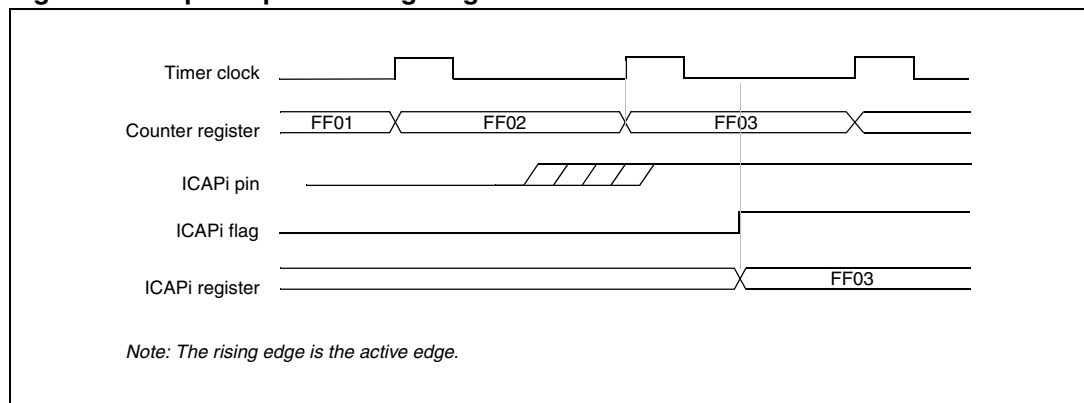
1. Reading the SR register while the ICF $i$  bit is set
2. An access (read or write) to the ICiLR register

- Note:
- 1 After reading the ICiHR register, transfer of input capture data is inhibited and ICFi will never be set until the ICiLR register is also read.
  - 2 The ICiR register contains the free running counter value which corresponds to the most recent input capture.
  - 3 The two input capture functions can be used together even if the timer also uses the two output compare functions.
  - 4 In One pulse mode and PWM mode only Input Capture 2 can be used.
  - 5 The alternate inputs (ICAP1 and ICAP2) are always directly connected to the timer. So any transitions on these pins activates the input capture function. Moreover if one of the ICAPi pins is configured as an input and the second one as an output, an interrupt can be generated if the user toggles the output pin and if the ICIE bit is set. This can be avoided if the input capture function i is disabled by reading the ICiHR (see note 1).
  - 6 The TOF bit can be used with interrupt generation in order to measure events that go beyond the timer range (FFFFh).

**Figure 39. Input capture block diagram**



**Figure 40. Input capture timing diagram**





## Output compare

In this section, the index,  $i$ , may be 1 or 2 because there are two output compare functions in the 16-bit timer.

This function can be used to control an output waveform or indicate when a period of time has elapsed.

When a match is found between the Output Compare register and the free running counter, the output compare function:

- Assigns pins with a programmable value if the OC/E bit is set
- Sets a flag in the status register
- Generates an interrupt if enabled

Two 16-bit registers Output Compare register 1 (OC1R) and Output Compare register 2 (OC2R) contain the value to be compared to the counter register each timer clock cycle.

**Table 45. Output compare byte distribution**

| Register | MS byte | LS byte |
|----------|---------|---------|
| OCiR     | OCiHR   | OCiLR   |

These registers are readable and writable and are not affected by the timer hardware. A reset event changes the OCiR value to 8000h.

Timing resolution is one count of the free running counter:  $(f_{CPU}/CC[1:0])$ .

### Procedure

To use the Output Compare function, select the following in the CR2 register:

- Set the OC/E bit if an output is needed then the OCMPi pin is dedicated to the output compare  $i$  signal.
- Select the timer clock (CC[1:0]) (see [Table 50](#)).

And select the following in the CR1 register:

- Select the OLVLi bit to be applied to the OCMPi pins after the match occurs.
- Set the OCIE bit to generate an interrupt if it is needed.

When a match is found between OCRi register and CR register:

- OCFi bit is set
- The OCMPi pin takes OLVLi bit value (OCMPi pin latch is forced low during reset)
- A timer interrupt is generated if the OCIE bit is set in the CR1 register and the I bit is cleared in the CC register (CC).

The OCiR register value required for a specific timing application can be calculated using the following formula:

$$\Delta OCiR = \frac{\Delta t * f_{CPU}}{PRESC}$$

Where:

$\Delta t$  = Output compare period (in seconds)

$f_{CPU}$  = CPU clock frequency (in hertz)

PRESC = Timer prescaler factor (2, 4 or 8 depending on CC[1:0] bits; see [Table 50](#))

If the timer clock is an external clock, the formula is:

$$\Delta \text{ OCiR} = \Delta t * f_{\text{EXT}}$$

Where:

$\Delta t$  = Output compare period (in seconds)  
 $f_{\text{EXT}}$  = External timer clock frequency (in hertz)

Clearing the output compare interrupt request (that is, clearing the OCF $i$  bit) is done by:

1. Reading the SR register while the OCF $i$  bit is set.
2. An access (read or write) to the OCiLR register.

The following procedure is recommended to prevent the OCF $i$  bit from being set between the time it is read and the write to the OCiR register:

- Write to the OCiHR register (further compares are inhibited).
- Read the SR register (first step of the clearance of the OCF $i$  bit, which may be already set).
- Write to the OCiLR register (enables the output compare function and clears the OCF $i$  bit).

- Note:*
- 1 After a processor write cycle to the OCiHR register, the output compare function is inhibited until the OCiLR register is also written.
  - 2 If the OCiE bit is not set, the OCMPi pin is a general I/O port and the OLVLi bit will not appear when a match is found but an interrupt could be generated if the OCiE bit is set.
  - 3 In both internal and external clock modes, OCF $i$  and OCMPi are set while the counter value equals the OCiR register value (see [Figure 42 on page 83](#) for an example with  $f_{\text{CPU}}/2$  and [Figure 43 on page 83](#) for an example with  $f_{\text{CPU}}/4$ ). This behavior is the same in OPM or PWM mode.
  - 4 The output compare functions can be used both for generating external events on the OCMPi pins even if the input capture mode is also used.
  - 5 The value in the 16-bit OCiR register and the OLVi bit should be changed after each successful comparison in order to control an output waveform or establish a new elapsed timeout.

### Forced output compare capability

When the FOLVi bit is set by software, the OLVLi bit is copied to the OCMPi pin. The OLVi bit has to be toggled in order to toggle the OCMPi pin when it is enabled (OCiE bit = 1). The OCFi bit is then not set by hardware, and thus no interrupt request is generated.

The FOLVLi bits have no effect in both one pulse mode and PWM mode.

Figure 41. Output compare block diagram

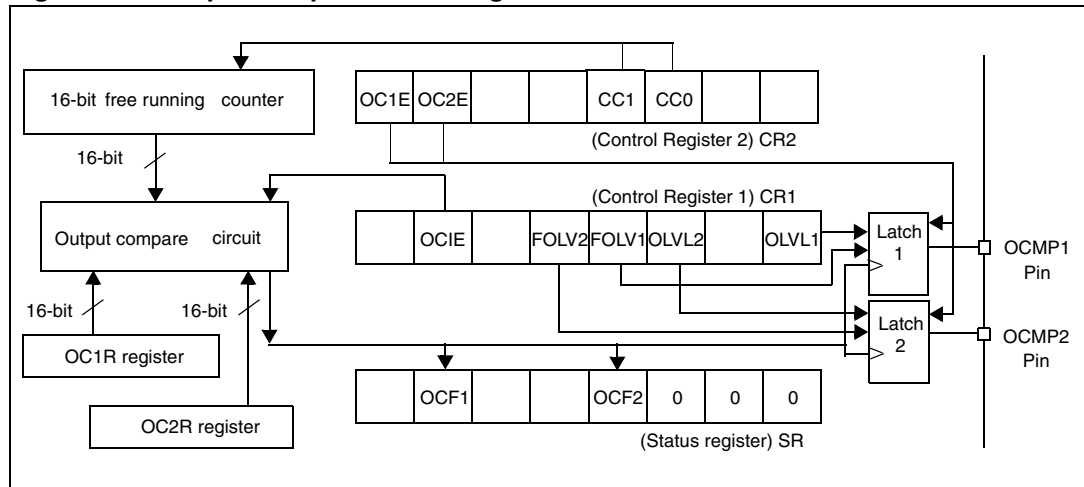


Figure 42. Output compare timing diagram,  $f_{\text{TIMER}} = f_{\text{CPU}}/2$

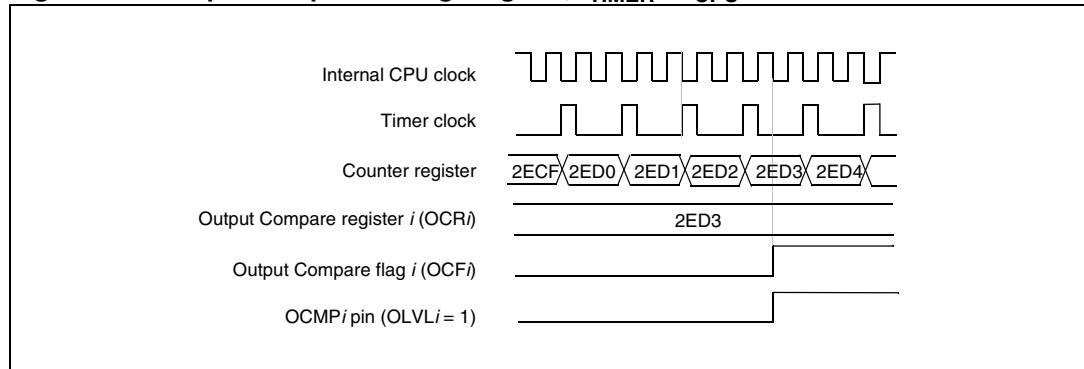
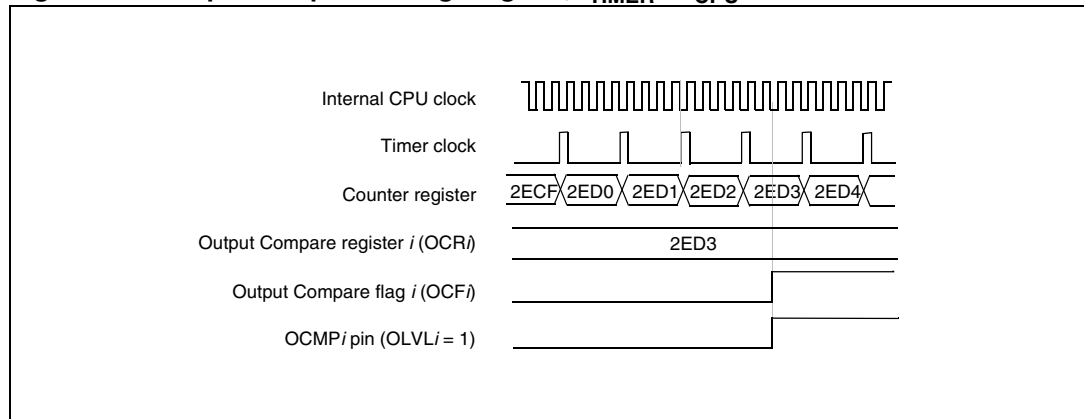


Figure 43. Output compare timing diagram,  $f_{\text{TIMER}} = f_{\text{CPU}}/4$



**One Pulse mode**

One Pulse mode enables the generation of a pulse when an external event occurs. This mode is selected via the OPM bit in the CR2 register.

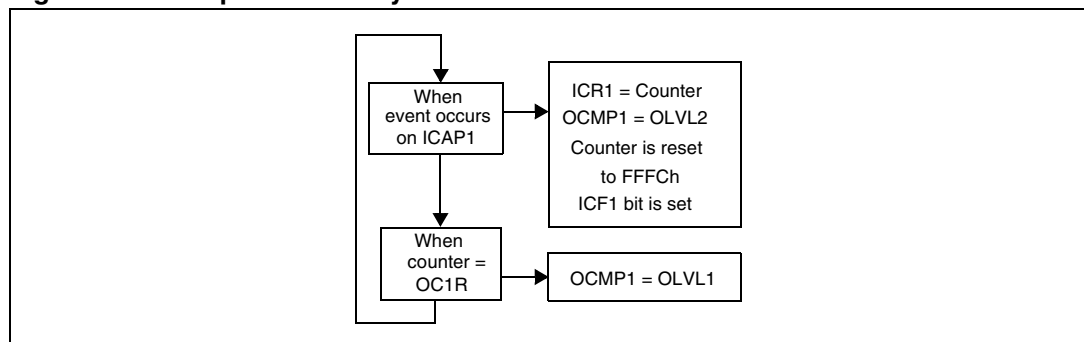
The one pulse mode uses the Input Capture1 function and the Output Compare1 function.

**Procedure**

To use One Pulse mode:

1. Load the OC1R register with the value corresponding to the length of the pulse (see the formula below).
2. Select the following in the CR1 register:
  - Using the OLVL1 bit, select the level to be applied to the OCMP1 pin after the pulse.
  - Using the OLVL2 bit, select the level to be applied to the OCMP1 pin during the pulse.
  - Select the edge of the active transition on the ICAP1 pin with the IEDG1 bit (the ICAP1 pin must be configured as floating input).
3. Select the following in the CR2 register:
  - Set the OC1E bit, the OCMP1 pin is then dedicated to the Output Compare 1 function.
  - Set the OPM bit.
  - Select the timer clock CC[1:0] (see [Table 50](#)).

**Figure 44. One pulse mode cycle**



Then, on a valid event on the ICAP1 pin, the counter is initialized to FFFCh and OLVL2 bit is loaded on the OCMP1 pin, the ICF1 bit is set and the value FFFDh is loaded in the ICR1 register.

Because the ICF1 bit is set when an active edge occurs, an interrupt can be generated if the ICIE bit is set.

Clearing the Input Capture interrupt request (that is, clearing the ICF*i* bit) is done in two steps:

1. Reading the SR register while the ICF*i* bit is set.
2. An access (read or write) to the IC*L*R register.

The OC1R register value required for a specific timing application can be calculated using the following formula:

$$OC1R \text{ value} = \frac{t * f_{CPU}}{PRESC} - 5$$

Where:

- t = Pulse period (in seconds)
- f<sub>CPU</sub> = CPU clock frequency (in hertz)
- PRESC = Timer prescaler factor (2, 4 or 8 depending on the CC[1:0] bits; see [Table 50](#))

If the timer clock is an external clock the formula is:

$$OC1R = t * f_{EXT} - 5$$

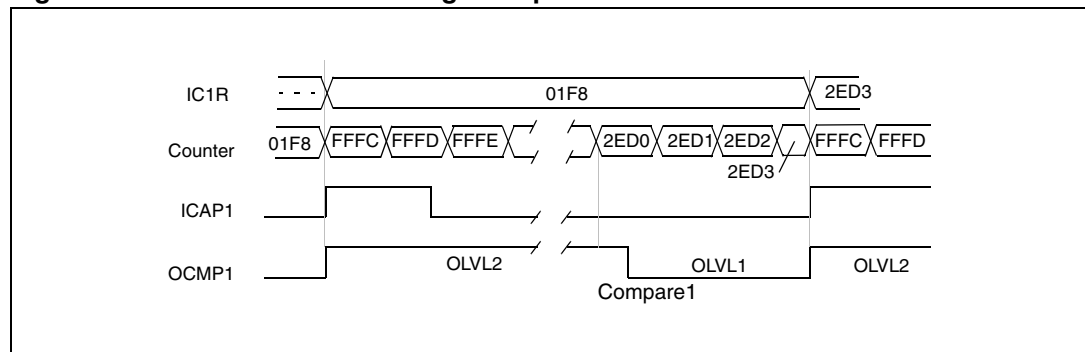
Where:

- t = Pulse period (in seconds)
- f<sub>EXT</sub> = External timer clock frequency (in hertz)

When the value of the counter is equal to the value of the contents of the OC1R register, the OLVL1 bit is output on the OCMP1 pin (see [Figure 45](#)).

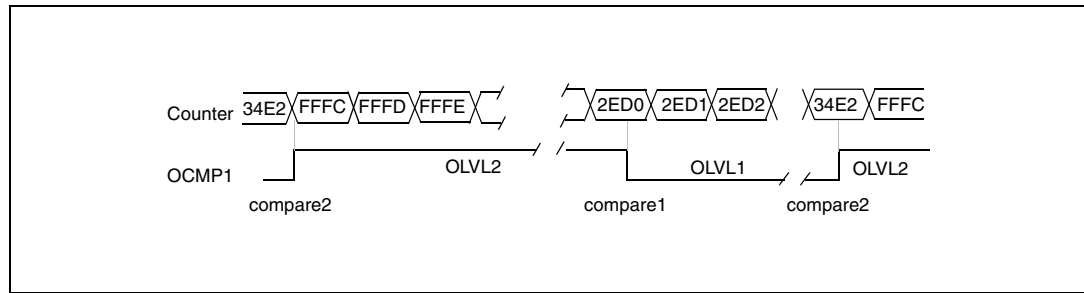
- Note:**
- 1 The OCF1 bit cannot be set by hardware in one pulse mode but the OCF2 bit can generate an Output Compare interrupt.
  - 2 When the Pulse Width Modulation (PWM) and One Pulse Mode (OPM) bits are both set, the PWM mode is the only active one.
  - 3 If OLVL1 = OLVL2 a continuous signal will be seen on the OCMP1 pin.
  - 4 The ICAP1 pin can not be used to perform input capture. The ICAP2 pin can be used to perform input capture (ICF2 can be set and IC2R can be loaded) but the user must take care that the counter is reset each time a valid edge occurs on the ICAP1 pin and ICF1 can also generate interrupt if ICIE is set.
  - 5 When one pulse mode is used OC1R is dedicated to this mode. Nevertheless OC2R and OCF2 can be used to indicate a period of time has been elapsed but cannot generate an output waveform because the level OLVL2 is dedicated to the one pulse mode.

**Figure 45. One Pulse mode timing example<sup>(1)</sup>**



1. IEDG1 = 1, OC1R = 2ED0h, OLVL1 = 0, OLVL2 = 1

**Figure 46. Pulse width modulation mode timing example with two output compare functions<sup>(1)(2)</sup>**



1. OC1R = 2ED0h, OC2R = 34E2, OLVL1 = 0, OLVL2 = 1
2. On timers with only one Output Compare register, a fixed frequency PWM signal can be generated using the output compare and the counter overflow to define the pulse length.

**Pulse Width Modulation mode**

Pulse Width Modulation (PWM) mode enables the generation of a signal with a frequency and pulse length determined by the value of the OC1R and OC2R registers.

Pulse Width Modulation mode uses the complete Output Compare 1 function plus the OC2R register, and so this functionality can not be used when PWM mode is activated.

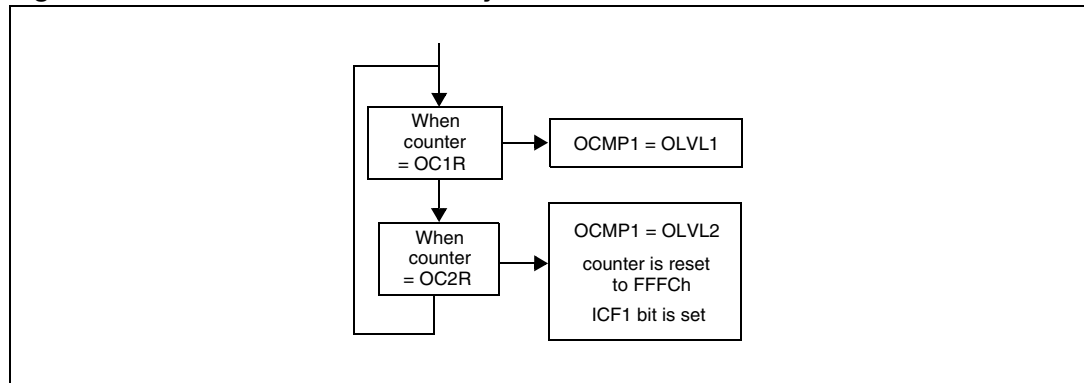
In PWM mode, double buffering is implemented on the output compare registers. Any new values written in the OC1R and OC2R registers are taken into account only at the end of the PWM period (OC2) to avoid spikes on the PWM output pin (OCMP1).

**Procedure**

To use Pulse Width Modulation mode:

1. Load the OC2R register with the value corresponding to the period of the signal using the formula below.
2. Load the OC1R register with the value corresponding to the period of the pulse if (OLVL1 = 0 and OLVL2 = 1) using the formula in the opposite column.
3. Select the following in the CR1 register:
  - Using the OLVL1 bit, select the level to be applied to the OCMP1 pin after a successful comparison with the OC1R register.
  - Using the OLVL2 bit, select the level to be applied to the OCMP1 pin after a successful comparison with the OC2R register.
4. Select the following in the CR2 register:
  - Set OC1E bit: the OCMP1 pin is then dedicated to the output compare 1 function.
  - Set the PWM bit.
  - Select the timer clock (CC[1:0]) (see [Table 50](#)).

Figure 47. Pulse width modulation cycle



If OLVL1 = 1 and OLVL2 = 0, the length of the positive pulse is the difference between the OC2R and OC1R registers.

If OLVL1 = OLVL2, a continuous signal will be seen on the OCMP1 pin.

The OC1R register value required for a specific timing application can be calculated using the following formula:

$$OC1R \text{ value} = \frac{t * f_{CPU}}{PRESC} - 5$$

Where:

- t = Signal or pulse period (in seconds)
- f<sub>CPU</sub> = CPU clock frequency (in hertz)
- PRESC = Timer prescaler factor (2, 4 or 8 depending on the CC[1:0] bits; see [Table 50](#))

If the timer clock is an external clock the formula is:

$$OC1R = t * f_{EXT} - 5$$

Where:

- t = Signal or pulse period (in seconds)
- f<sub>EXT</sub> = External timer clock frequency (in hertz)

The Output Compare 2 event causes the counter to be initialized to FFFCh (see [Table 46](#)).

- Note:
- 1 After a write instruction to the OCiHR register, the output compare function is inhibited until the OCiLR register is also written.
  - 2 The OCF1 and OCF2 bits cannot be set by hardware in PWM mode therefore the Output Compare interrupt is inhibited.
  - 3 The ICF1 bit is set by hardware when the counter reaches the OC2R value and can produce a timer interrupt if the ICIE bit is set and the I bit is cleared.
  - 4 In PWM mode the ICAP1 pin can not be used to perform input capture because it is disconnected to the timer. The ICAP2 pin can be used to perform input capture (ICF2 can be set and IC2R can be loaded) but the user must take care that the counter is reset each period and ICF1 can also generates interrupt if ICIE is set.
  - 5 When the Pulse Width Modulation (PWM) and One Pulse Mode (OPM) bits are both set, the PWM mode is the only active one.

### 10.3.4 Low power modes

**Table 46. Effect of low power modes on 16-bit timer**

| Mode | Description  |
|------|--|
| Wait | No effect on 16-bit timer.<br>Timer interrupts cause the device to exit from Wait mode.  |
| Halt | 16-bit timer registers are frozen.<br>In Halt mode, the counter stops counting until Halt mode is exited. Counting resumes from the previous count when the MCU is woken up by an interrupt with Exit from Halt mode capability or from the counter reset value when the MCU is woken up by a reset.<br>If an input capture event occurs on the ICAP <i>i</i> pin, the input capture detection circuitry is armed. Consequently, when the MCU is woken up by an interrupt with Exit from Halt mode capability, the ICF <i>i</i> bit is set, and the counter value present when exiting from Halt mode is captured into the ICR register. |

### 10.3.5 Interrupts

**Table 47. 16-bit timer interrupt control/wake-up capability<sup>(1)</sup>**

| Interrupt event                                    | Event flag | Enable Control bit | Exit from WAIT | Exit from HALT |
|--|------------|--------------------|----------------|----------------|
| Input Capture 1 event/counter reset in PWM mode    | ICF1       | ICIE               | Yes            | No             |
| Input Capture 2 event                              | ICF2       |                    |                |                |
| Output Compare 1 event (not available in PWM mode) | OCF1       | OCIE               |                |                |
| Output Compare 2 event (not available in PWM mode) | OCF2       |                    |                |                |
| Timer Overflow event                               | TOF        | TOIE               |                |                |

1. The 16-bit timer interrupt events are connected to the same interrupt vector (see [Section 7: Interrupts](#)). These events generate an interrupt if the corresponding Enable Control bit is set and the interrupt mask in the CC register is reset (RIM instruction).



### 10.3.6 Summary of timer modes

**Table 48. Summary of timer modes**

| Mode                        | Timer resources |                                |                  |                          |
|-----------------------------|-----------------|--------------------------------|------------------|--------------------------|
|                             | Input Capture 1 | Input Capture 2                | Output Compare 1 | Output Compare 2         |
| Input Capture (1 and/or 2)  | Yes             | Yes                            | Yes              | Yes                      |
| Output Compare (1 and/or 2) |                 |                                |                  |                          |
| One Pulse mode              | No              | Not recommended <sup>(1)</sup> | No               | Partially <sup>(2)</sup> |
| PWM mode                    |                 | Not recommended <sup>(3)</sup> |                  | No                       |

1. See note 4 in [One Pulse mode on page 84](#).
2. See note 5 in [One Pulse mode on page 84](#).
3. See note 4 in [Pulse Width Modulation mode on page 86](#).

### 10.3.7 16-bit timer registers

Each timer is associated with three control and status registers, and with six pairs of data registers (16-bit values) relating to the two input captures, the two output compares, the counter and the alternate counter.

#### Control Register 1 (CR1)

|      |                              |      |       |       |       |       |       |
|------|------------------------------|------|-------|-------|-------|-------|-------|
| CR1  | Reset value: 0000 0000 (00h) |      |       |       |       |       |       |
| 7    | 6                            | 5    | 4     | 3     | 2     | 1     | 0     |
| ICIE | OCIE                         | TOIE | FOLV2 | FOLV1 | OLVL2 | IEDG1 | OLVL1 |
| R/W  | R/W                          | R/W  | R/W   | R/W   | R/W   | R/W   | R/W   |

**Table 49. CR1 register description**

| Bit | Name | Function  |
|-----|------|---|
| 7   | ICIE | Input Capture Interrupt Enable<br>0: Interrupt is inhibited.<br>1: A timer interrupt is generated whenever the ICF1 or ICF2 bit of the SR register is set.  |
| 6   | OCIE | Output Compare Interrupt Enable<br>0: Interrupt is inhibited.<br>1: A timer interrupt is generated whenever the OCF1 or OCF2 bit of the SR register is set. |
| 5   | TOIE | Timer Overflow Interrupt Enable<br>0: Interrupt is inhibited.<br>1: A timer interrupt is enabled whenever the TOF bit of the SR register is set.            |

**Table 49. CR1 register description (continued)**

| Bit | Name  | Function   |
|-----|-------|--|
| 4   | FOLV2 | Forced Output compare 2<br>This bit is set and cleared by software.<br>0: No effect on the OCMP2 pin.<br>1: Forces the OLVL2 bit to be copied to the OCMP2 pin, if the OC2E bit is set and even if there is no successful comparison.              |
| 3   | FOLV1 | Forced Output compare 1<br>This bit is set and cleared by software.<br>0: No effect on the OCMP1 pin.<br>1: Forces OLVL1 to be copied to the OCMP1 pin, if the OC1E bit is set and even if there is no successful comparison.                      |
| 2   | OLVL2 | Output Level 2<br>This bit is copied to the OCMP2 pin whenever a successful comparison occurs with the OC2R register and OCxE is set in the CR2 register. This value is copied to the OCMP1 pin in One Pulse mode and Pulse Width modulation mode. |
| 1   | IEDG1 | Input Edge 1<br>This bit determines which type of level transition on the ICAP1 pin will trigger the capture.<br>0: A falling edge triggers the capture.<br>1: A rising edge triggers the capture.   |
| 0   | OLVL1 | Output Level 1<br>The OLVL1 bit is copied to the OCMP1 pin whenever a successful comparison occurs with the OC1R register and the OC1E bit is set in the CR2 register.   |

**Control Register 2 (CR2)**

|      |      |     |     |         |   |       |                              |  |
|------|------|-----|-----|---------|---|-------|------------------------------|--|
| CR2  |      |     |     |         |   |       | Reset value: 0000 0000 (00h) |  |
| 7    | 6    | 5   | 4   | 3       | 2 | 1     | 0                            |  |
| OC1E | OC2E | OPM | PWM | CC[1:0] |   | IEDG2 | EXEDG                        |  |
| R/W  | R/W  | R/W | R/W | R/W     |   | R/W   | R/W                          |  |

Table 50. CR2 register description

| Bit | Name    | Function  |
|-----|---------|---|
| 7   | OC1E    | Output Compare 1 Pin Enable<br>This bit is used only to output the signal from the timer on the OCMP1 pin (OLV1 in Output Compare mode, both OLV1 and OLV2 in PWM and One-Pulse mode). Whatever the value of the OC1E bit, the Output Compare 1 function of the timer remains active.<br>0: OCMP1 pin alternate function disabled (I/O pin free for general-purpose I/O).<br>1: OCMP1 pin alternate function enabled. |
| 6   | OC2E    | Output Compare 2 Pin Enable<br>This bit is used only to output the signal from the timer on the OCMP2 pin (OLV2 in Output Compare mode). Whatever the value of the OC2E bit, the Output Compare 2 function of the timer remains active.<br>0: OCMP2 pin alternate function disabled (I/O pin free for general-purpose I/O).<br>1: OCMP2 pin alternate function enabled.   |
| 5   | OPM     | One Pulse Mode<br>0: One Pulse mode is not active.<br>1: One Pulse mode is active, the ICAP1 pin can be used to trigger one pulse on the OCMP1 pin; the active transition is given by the IEDG1 bit. The length of the generated pulse depends on the contents of the OC1R register.  |
| 4   | PWM     | Pulse Width Modulation<br>0: PWM mode is not active.<br>1: PWM mode is active, the OCMP1 pin outputs a programmable cyclic signal; the length of the pulse depends on the value of OC1R register; the period depends on the value of OC2R register.   |
| 3:2 | CC[1:0] | Clock Control<br>The timer clock mode depends on these bits.<br>00: Timer clock = $f_{CPU}/4$<br>01: Timer clock = $f_{CPU}/2$<br>10: Timer clock = $f_{CPU}/8$<br>11: Timer clock = external clock (where available)<br><i>Note: If the external clock pin is not available, programming the external clock configuration stops the counter.</i>   |
| 1   | IEDG2   | Input Edge 2<br>This bit determines which type of level transition on the ICAP2 pin will trigger the capture.<br>0: A falling edge triggers the capture.<br>1: A rising edge triggers the capture.  |
| 0   | EXEDG   | External Clock Edge<br>This bit determines which type of level transition on the external clock pin EXTCLK will trigger the counter register.<br>0: A falling edge triggers the counter register.<br>1: A rising edge triggers the counter register.  |

**Control/Status Register (CSR)**

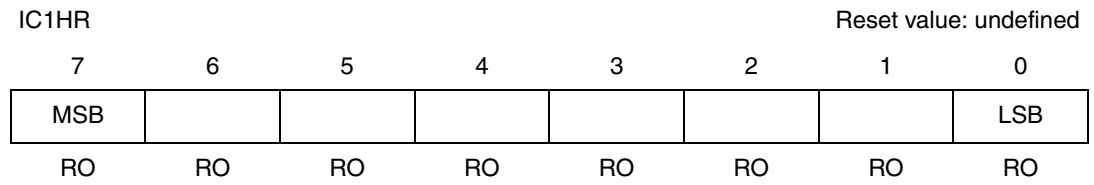
|      |      |     |      |      |      |                              |   |
|------|------|-----|------|------|------|------------------------------|---|
| CSR  |      |     |      |      |      | Reset value: xxxx x0xx (xxh) |   |
| 7    | 6    | 5   | 4    | 3    | 2    | 1                            | 0 |
| ICF1 | OCF1 | TOF | ICF2 | OCF2 | TIMD | Reserved                     |   |
| RO   | RO   | RO  | RO   | RO   | R/W  | -                            |   |

**Table 51. CSR register description**

| Bit | Name | Function   |
|-----|------|--|
| 7   | ICF1 | Input Capture Flag 1<br>0: No Input Capture (reset value).<br>1: An Input Capture has occurred on the ICAP1 pin or the counter has reached the OC2R value in PWM mode. To clear this bit, first read the SR register, then read or write the low byte of the IC1R (IC1LR) register.  |
| 6   | OCF1 | Output Compare Flag 1<br>0: No match (reset value).<br>1: The content of the free running counter has matched the content of the OC1R register. To clear this bit, first read the SR register, then read or write the low byte of the OC1R (OC1LR) register.   |
| 5   | TOF  | Timer Overflow Flag<br>0: No timer overflow (reset value).<br>1: The free running counter rolled over from FFFFh to 0000h. To clear this bit, first read the SR register, then read or write the low byte of the CR (CLR) register.<br><i>Note: Reading or writing the ACLR register does not clear TOF.</i>   |
| 4   | ICF2 | Input Capture Flag 2<br>0: No input capture (reset value).<br>1: An Input Capture has occurred on the ICAP2 pin. To clear this bit, first read the SR register, then read or write the low byte of the IC2R (IC2LR) register.  |
| 3   | OCF2 | Output Compare Flag 2<br>0: No match (reset value).<br>1: The content of the free running counter has matched the content of the OC2R register. To clear this bit, first read the SR register, then read or write the low byte of the OC2R (OC2LR) register.   |
| 2   | TIMD | Timer Disable<br>This bit is set and cleared by software. When set, it freezes the timer prescaler and counter and disabled the output functions (OCMP1 and OCMP2 pins) to reduce power consumption. Access to the timer registers is still available, allowing the timer configuration to be changed, or the counter reset, while it is disabled.<br>0: Timer enabled.<br>1: Timer prescaler, counter and outputs disabled. |
| 1:0 | -    | Reserved, must be kept cleared.  |

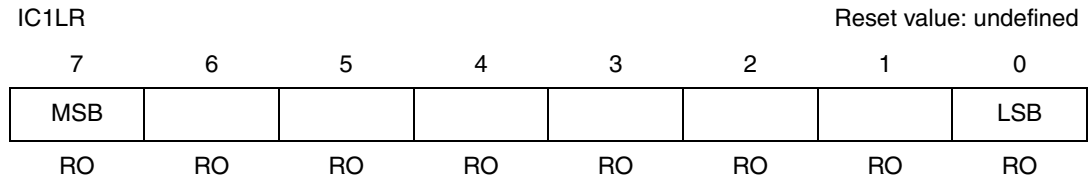
**Input Capture 1 High Register (IC1HR)**

This is an 8-bit register that contains the high part of the counter value (transferred by the input capture 1 event).



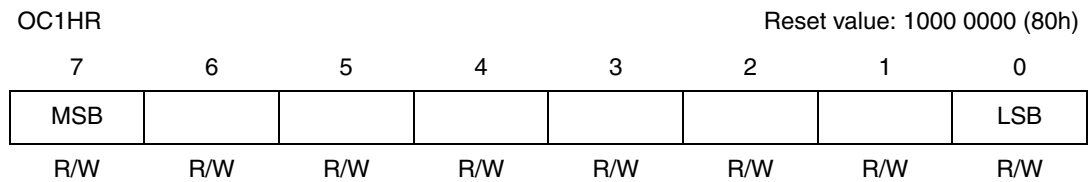
**Input Capture 1 Low Register (IC1LR)**

This is an 8-bit register that contains the low part of the counter value (transferred by the input capture 1 event).



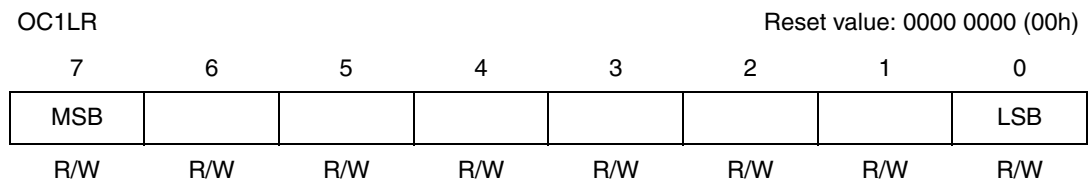
**Output Compare 1 High Register (OC1HR)**

This is an 8-bit register that contains the high part of the value to be compared to the CHR register.



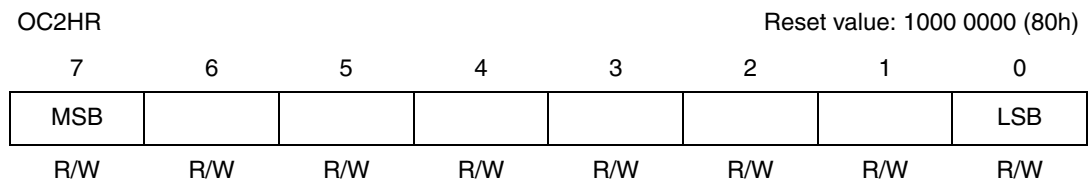
**Output Compare 1 Low Register (OC1LR)**

This is an 8-bit register that contains the low part of the value to be compared to the CLR register.



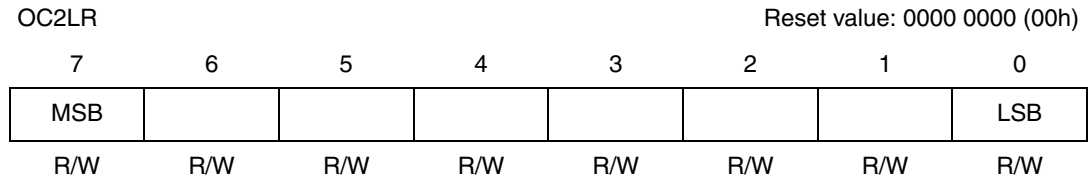
**Output Compare 2 High Register (OC2HR)**

This is an 8-bit register that contains the high part of the value to be compared to the CHR register.



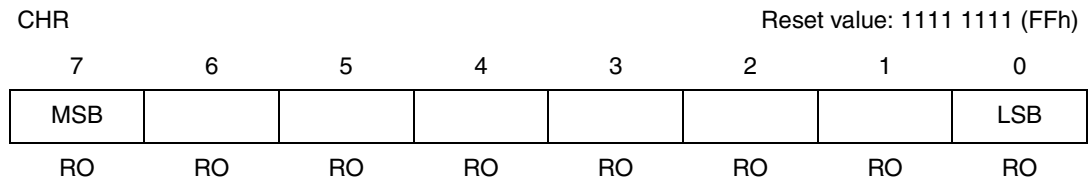
**Output Compare 2 Low Register (OC2LR)**

This is an 8-bit register that contains the low part of the value to be compared to the CLR register.



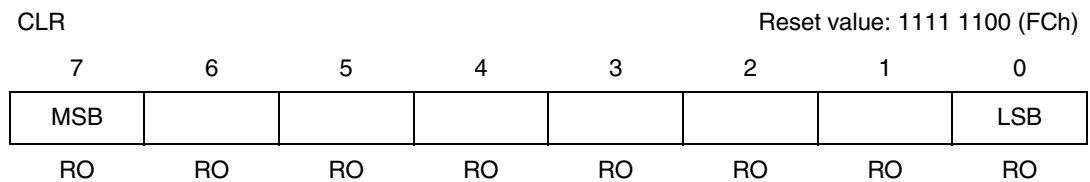
**Counter High Register (CHR)**

This is an 8-bit register that contains the high part of the counter value.



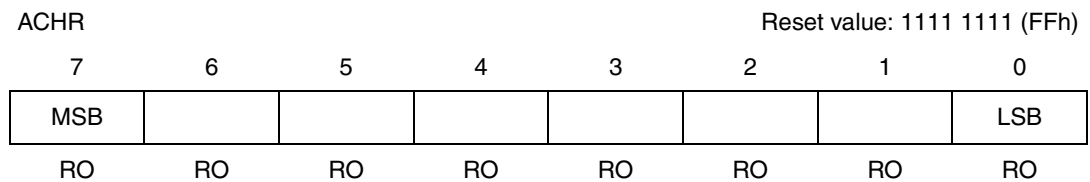
**Counter Low Register (CLR)**

This is an 8-bit register that contains the low part of the counter value. A write to this register resets the counter. An access to this register after accessing the CSR register clears the TOF bit.



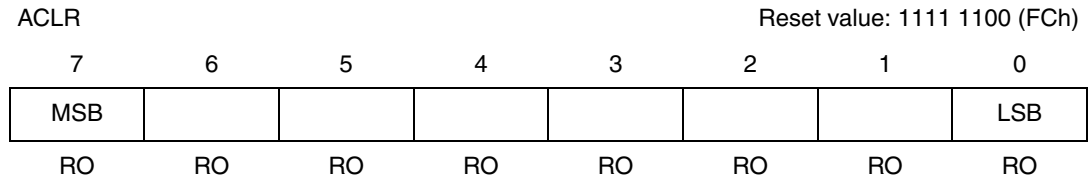
**Alternate Counter High Register (ACHR)**

This is an 8-bit register that contains the high part of the counter value.



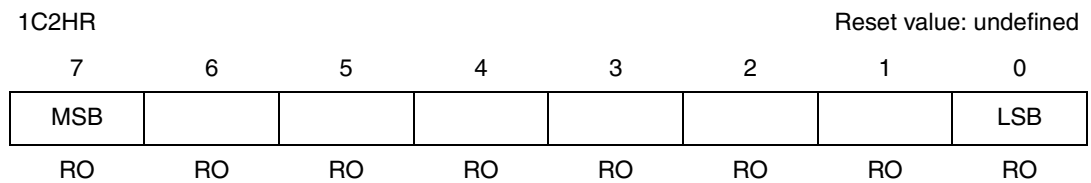
**Alternate Counter Low Register (ACLR)**

This is an 8-bit register that contains the low part of the counter value. A write to this register resets the counter. An access to this register after an access to CSR register does not clear the TOF bit in the CSR register.



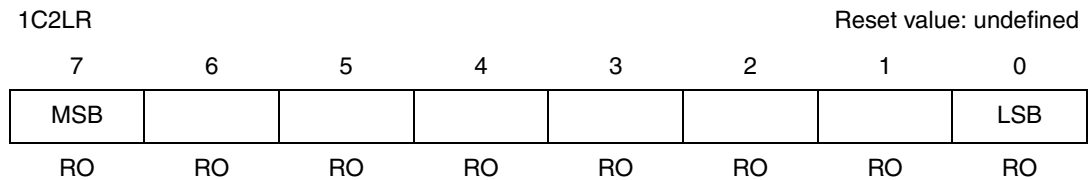
**Input Capture 2 High Register (IC2HR)**

This is an 8-bit register that contains the high part of the counter value (transferred by the Input Capture 2 event).



**Input Capture 2 Low Register (IC2LR)**

This is an 8-bit register that contains the low part of the counter value (transferred by the Input Capture 2 event).



**Table 52. 16-bit timer register map and reset values**

| Address (Hex.)             | Register label       | 7         | 6         | 5         | 4          | 3          | 2          | 1          | 0          |
|----------------------------|----------------------|-----------|-----------|-----------|------------|------------|------------|------------|------------|
| Timer A: 32<br>Timer B: 42 | CR1<br>Reset value   | ICIE<br>0 | OCIE<br>0 | TOIE<br>0 | FOLV2<br>0 | FOLV1<br>0 | OLVL2<br>0 | IEDG1<br>0 | OLVL1<br>0 |
| Timer A: 31<br>Timer B: 41 | CR2<br>Reset value   | OC1E<br>0 | OC2E<br>0 | OPM<br>0  | PWM<br>0   | CC1<br>0   | CC0<br>0   | IEDG2<br>0 | EXEDG<br>0 |
| Timer A: 33<br>Timer B: 43 | CSR<br>Reset value   | ICF1<br>x | OCF1<br>x | TOF<br>x  | ICF2<br>x  | OCF2<br>x  | TIMD<br>0  | -<br>x     | -<br>x     |
| Timer A: 34<br>Timer B: 44 | IC1HR<br>Reset value | MSB<br>x  | x         | x         | x          | x          | x          | x          | LSB<br>x   |





**Table 52. 16-bit timer register map and reset values (continued)**

| Address (Hex.)             | Register label       | 7        | 6 | 5 | 4 | 3 | 2 | 1 | 0        |
|----------------------------|----------------------|----------|---|---|---|---|---|---|----------|
| Timer A: 35<br>Timer B: 45 | IC1LR<br>Reset value | MSB<br>x | x | x | x | x | x | x | LSB<br>x |
| Timer A: 36<br>Timer B: 46 | OC1HR<br>Reset value | MSB<br>1 | 0 | 0 | 0 | 0 | 0 | 0 | LSB<br>0 |
| Timer A: 37<br>Timer B: 47 | OC1LR<br>Reset value | MSB<br>0 | 0 | 0 | 0 | 0 | 0 | 0 | LSB<br>0 |
| Timer A: 3E<br>Timer B: 4E | OC2HR<br>Reset value | MSB<br>1 | 0 | 0 | 0 | 0 | 0 | 0 | LSB<br>0 |
| Timer A: 3F<br>Timer B: 4F | OC2LR<br>Reset value | MSB<br>0 | 0 | 0 | 0 | 0 | 0 | 0 | LSB<br>0 |
| Timer A: 38<br>Timer B: 48 | CHR<br>Reset value   | MSB<br>1 | 1 | 1 | 1 | 1 | 1 | 1 | LSB<br>1 |
| Timer A: 39<br>Timer B: 49 | CLR<br>Reset value   | MSB<br>1 | 1 | 1 | 1 | 1 | 1 | 0 | LSB<br>0 |
| Timer A: 3A<br>Timer B: 4A | ACHR<br>Reset value  | MSB<br>1 | 1 | 1 | 1 | 1 | 1 | 1 | LSB<br>1 |
| Timer A: 3B<br>Timer B: 4B | ACLR<br>Reset value  | MSB<br>1 | 1 | 1 | 1 | 1 | 1 | 0 | LSB<br>0 |
| Timer A: 3C<br>Timer B: 4C | IC2HR<br>Reset value | MSB<br>x | x | x | x | x | x | x | LSB<br>x |
| Timer A: 3D<br>Timer B: 4D | IC2LR<br>Reset value | MSB<br>x | x | x | x | x | x | x | LSB<br>x |

## 10.4 Serial peripheral interface (SPI)

### 10.4.1 Introduction

The serial peripheral interface (SPI) allows full-duplex, synchronous, serial communication with external devices. An SPI system may consist of a master and one or more slaves. However, the SPI interface can not be a master in a multi-master system.

### 10.4.2 Main features

- Full duplex synchronous transfers (on 3 lines)
- Simplex synchronous transfers (on 2 lines)
- Master or slave operation
- 6 master mode frequencies ( $f_{CPU}/4$  max.)
- $f_{CPU}/2$  max. slave mode frequency (see note)
- $\overline{SS}$  Management by software or hardware
- Programmable clock polarity and phase
- End of transfer interrupt flag
- Write collision, Master mode fault and Overrun flags

Note: In slave mode, continuous transmission is not possible at maximum frequency due to the software overhead for clearing status flags and to initiate the next transmission sequence.

### 10.4.3 General description

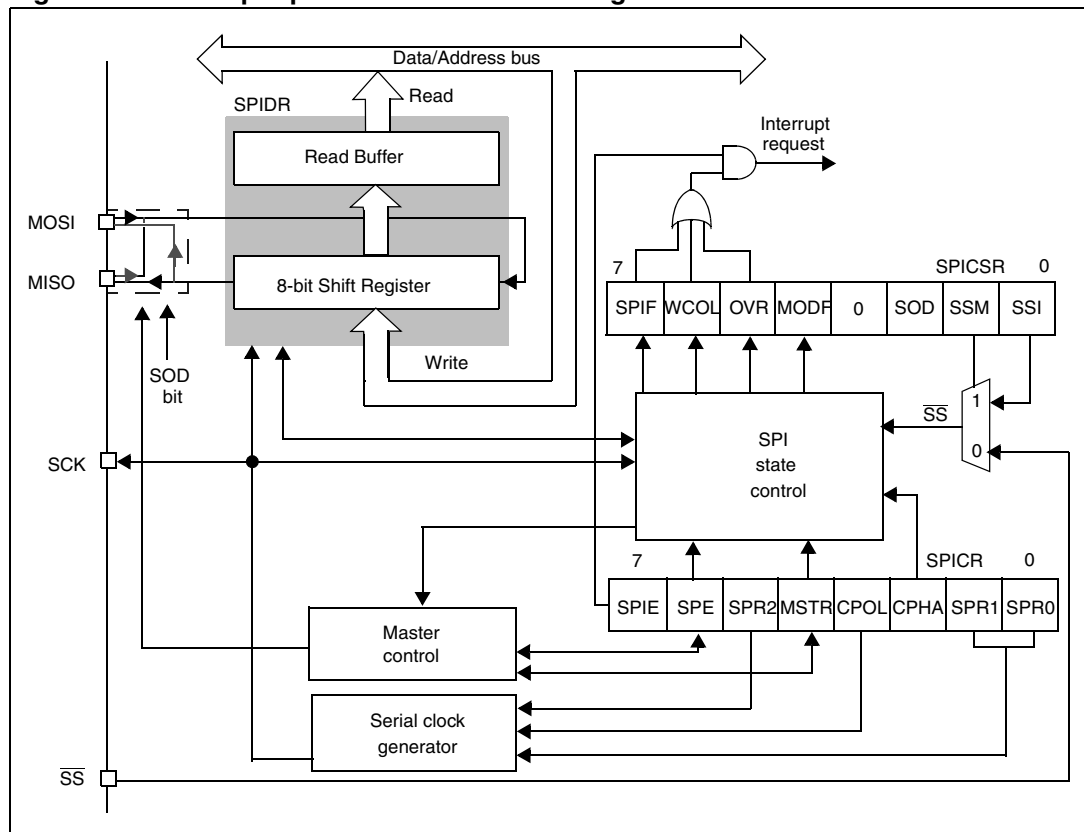
Figure 49 shows the serial peripheral interface (SPI) block diagram. The SPI has three registers:

- SPI Control Register (SPICR)
- SPI Control/Status Register (SPICSR)
- SPI Data Register (SPIDR)

The SPI is connected to external devices through four pins:

- MISO: Master In / Slave Out data
- MOSI: Master Out / Slave In data
- SCK: Serial Clock out by SPI masters and input by SPI slaves
- $\overline{SS}$ : Slave select: This input signal acts as a 'chip select' to let the SPI master communicate with slaves individually and to avoid contention on the data lines. Slave  $\overline{SS}$  inputs can be driven by standard I/O ports on the master MCU.

Figure 48. Serial peripheral interface block diagram



#### Functional description

A basic example of interconnections between a single master and a single slave is illustrated in Figure 49.

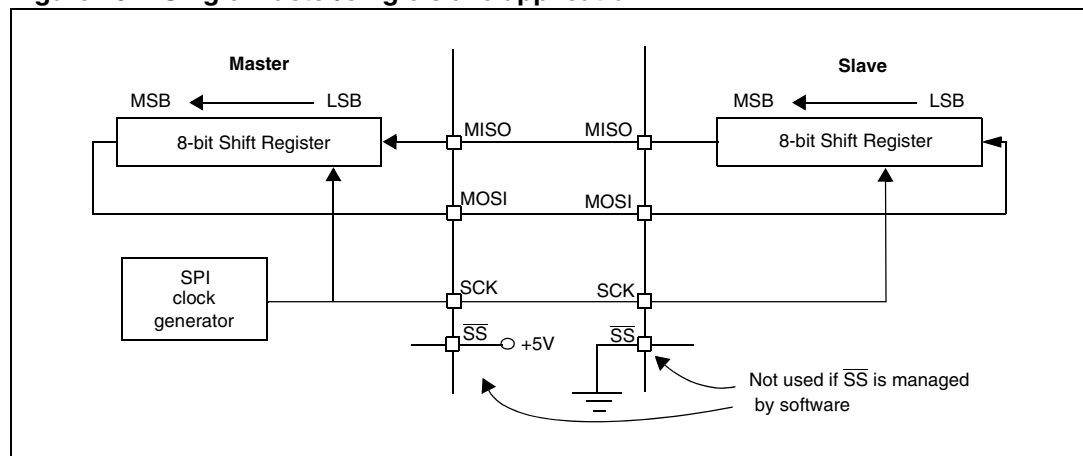
The MOSI pins are connected together and the MISO pins are connected together. In this way data is transferred serially between master and slave (most significant bit first).

The communication is always initiated by the master. When the master device transmits data to a slave device via MOSI pin, the slave device responds by sending data to the master device via the MISO pin. This implies full duplex communication with both data out and data in synchronized with the same clock signal (which is provided by the master device via the SCK pin).

To use a single data line, the MISO and MOSI pins must be connected at each node (in this case only simplex communication is possible).

Four possible data/clock timing relationships may be chosen (see [Figure 52](#)) but master and slave must be programmed with the same timing mode.

**Figure 49. Single master/single slave application**



### Slave Select management

As an alternative to using the  $\overline{SS}$  pin to control the Slave Select signal, the application can choose to manage the Slave Select signal by software. This is configured by the SSM bit in the SPICSR register (see [Figure 51](#)).

In software management, the external  $\overline{SS}$  pin is free for other application uses and the internal  $\overline{SS}$  signal level is driven by writing to the SSI bit in the SPICSR register.

In Master mode:

- $\overline{SS}$  internal must be held high continuously

Depending on the data/clock timing relationship, there are two cases in Slave mode (see [Figure 50](#)):

If CPHA = 1 (data latched on second clock edge):

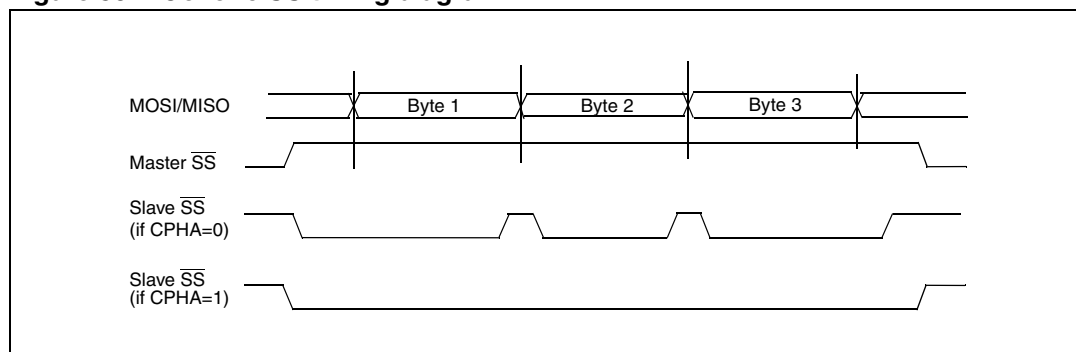
- $\overline{SS}$  internal must be held low during the entire transmission. This implies that in single slave applications the  $\overline{SS}$  pin either can be tied to  $V_{SS}$ , or made free for standard I/O by managing the  $\overline{SS}$  function by software (SSM = 1 and SSI = 0 in the SPICSR register)

If CPHA = 0 (data latched on first clock edge):

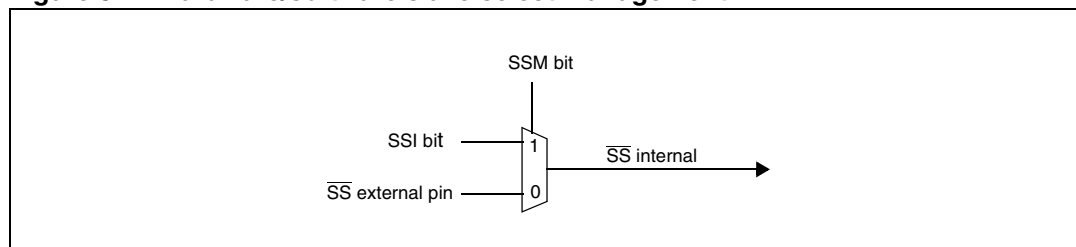
- $\overline{SS}$  internal must be held low during byte transmission and pulled high between each byte to allow the slave to write to the shift register. If  $\overline{SS}$  is not pulled high, a Write

Collision error will occur when the slave writes to the shift register (see [Write collision error \(WCOL\) on page 103](#)).

**Figure 50. Generic  $\overline{SS}$  timing diagram**



**Figure 51. Hardware/software slave select management**



**Master mode operation**

In master mode, the serial clock is output on the SCK pin. The clock frequency, polarity and phase are configured by software (refer to the description of the SPICSR register).

*Note: The idle state of SCK must correspond to the polarity selected in the SPICSR register (by pulling up SCK if CPOL = 1 or pulling down SCK if CPOL = 0).*

**How to operate the SPI in master mode**

To operate the SPI in master mode, perform the following steps in order:

1. Write to the SPICR register:
  - Select the clock frequency by configuring the SPR[2:0] bits.
  - Select the clock polarity and clock phase by configuring the CPOL and CPHA bits. [Figure 52](#) shows the four possible configurations.
 

*Note: The slave must have the same CPOL and CPHA settings as the master.*
2. Write to the SPICSR register:
  - Either set the SSM bit and set the SSI bit or clear the SSM bit and tie the  $\overline{SS}$  pin high for the complete byte transmit sequence.
3. Write to the SPICR register:
  - Set the MSTR and SPE bits.
 

*Note: MSTR and SPE bits remain set only if  $\overline{SS}$  is high.*

**Caution:** If the SPICSR register is not written first, the SPICR register setting (MSTR bit) might not be taken into account.

The transmit sequence begins when software writes a byte in the SPIDR register.

### Master mode transmit sequence

When software writes to the SPIDR register, the data byte is loaded into the 8-bit shift register and then shifted out serially to the MOSI pin most significant bit first.

When data transfer is complete:

- The SPIF bit is set by hardware
- An interrupt request is generated if the SPIE bit is set and the interrupt mask in the CCR register is cleared.

Clearing the SPIF bit is performed by the following software sequence:

1. An access to the SPICSR register while the SPIF bit is set.
2. A read to the SPIDR register.

*Note:* While the SPIF bit is set, all writes to the SPIDR register are inhibited until the SPICSR register is read.

### Slave mode operation

In slave mode, the serial clock is received on the SCK pin from the master device.

To operate the SPI in slave mode:

1. Write to the SPICSR register to perform the following actions:
  - Select the clock polarity and clock phase by configuring the CPOL and CPHA bits (see [Figure 52](#)). The slave must have the same CPOL and CPHA settings as the master.
  - Manage the  $\overline{SS}$  pin as described in [Slave Select management on page 99](#) and [Figure 50](#). If CPHA = 1,  $\overline{SS}$  must be held low continuously. If CPHA = 0,  $\overline{SS}$  must be held low during byte transmission and pulled up between each byte to let the slave write in the shift register.
2. Write to the SPICR register to clear the MSTR bit and set the SPE bit to enable the SPI I/O functions.

### Slave mode transmit sequence

When software writes to the SPIDR register, the data byte is loaded into the 8-bit shift register and then shifted out serially to the MISO pin most significant bit first.

The transmit sequence begins when the slave device receives the clock signal and the most significant bit of the data on its MOSI pin.

When data transfer is complete:

- The SPIF bit is set by hardware
- An interrupt request is generated if SPIE bit is set and interrupt mask in the CCR register is cleared.

Clearing the SPIF bit is performed by the following software sequence:

1. An access to the SPICSR register while the SPIF bit is set.
2. A write or a read to the SPIDR register.

*Note:* While the SPIF bit is set, all writes to the SPIDR register are inhibited until the SPICSR register is read.

The SPIF bit can be cleared during a second transmission; however, it must be cleared before the second SPIF bit in order to prevent an Overrun condition (see *Overrun condition (OVR) on page 103*).

### 10.4.4 Clock phase and clock polarity

Four possible timing relationships may be chosen by software, using the CPOL and CPHA bits (see *Figure 52*).

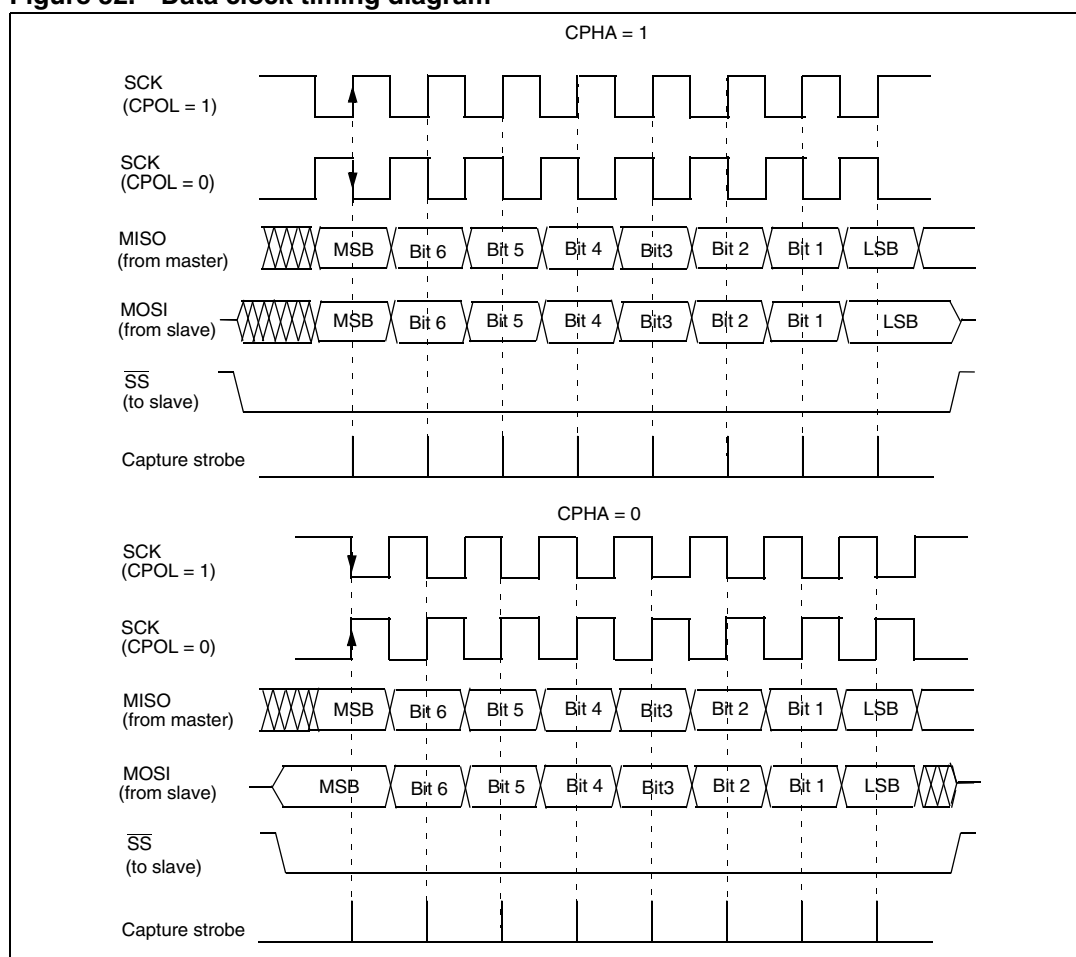
*Note:* The idle state of SCK must correspond to the polarity selected in the SPICSR register (by pulling up SCK if CPOL = 1 or pulling down SCK if CPOL = 0).

The combination of the CPOL clock polarity and CPHA (clock phase) bits selects the data capture clock edge

*Figure 52* shows an SPI transfer with the four combinations of the CPHA and CPOL bits. The diagram may be interpreted as a master or slave timing diagram where the SCK, MISO and MOSI pins are directly connected between the master and the slave device.

*Note:* If CPOL is changed at the communication byte boundaries, the SPI must be disabled by resetting the SPE bit.

**Figure 52. Data clock timing diagram<sup>(1)</sup>**



1. This figure should not be used as a replacement for parametric information. Refer to the Electrical Characteristics chapter.

## 10.4.5 Error flags

### Master mode fault (MODF)

Master mode fault occurs when the master device has its  $\overline{SS}$  pin pulled low.

When a Master mode fault occurs:

- The MODF bit is set and an SPI interrupt request is generated if the SPIE bit is set.
- The SPE bit is reset. This blocks all output from the device and disables the SPI peripheral.
- The MSTR bit is reset, thus forcing the device into slave mode.

Clearing the MODF bit is done through a software sequence:

1. A read access to the SPICSR register while the MODF bit is set.
2. A write to the SPICR register.

*Note:* To avoid any conflicts in an application with multiple slaves, the  $\overline{SS}$  pin must be pulled high during the MODF bit clearing sequence. The SPE and MSTR bits may be restored to their original state during or after this clearing sequence.

Hardware does not allow the user to set the SPE and MSTR bits while the MODF bit is set except in the MODF bit clearing sequence.

### Overrun condition (OVR)

An overrun condition occurs, when the master device has sent a data byte and the slave device has not cleared the SPIF bit issued from the previously transmitted byte.

When an Overrun occurs the OVR bit is set and an interrupt request is generated if the SPIE bit is set.

In this case, the receiver buffer contains the byte sent after the SPIF bit was last cleared. A read to the SPIDR register returns this byte. All other bytes are lost.

The OVR bit is cleared by reading the SPICSR register.

### Write collision error (WCOL)

A write collision occurs when the software tries to write to the SPIDR register while a data transfer is taking place with an external device. When this happens, the transfer continues uninterrupted and the software write is unsuccessful.

Write collisions can occur both in master and slave mode. See also [Slave Select management on page 99](#).

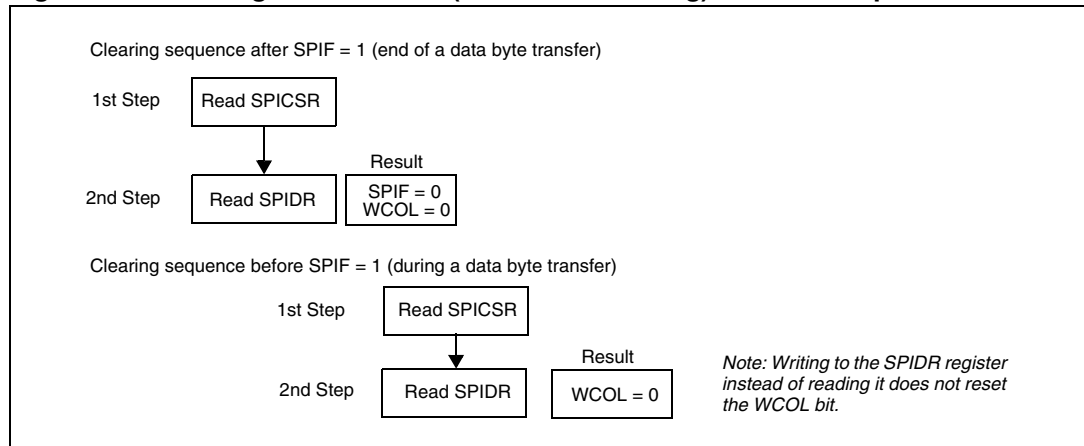
*Note:* A read collision will never occur since the received data byte is placed in a buffer in which access is always synchronous with the MCU operation.

The WCOL bit in the SPICSR register is set if a write collision occurs.

No SPI interrupt is generated when the WCOL bit is set (the WCOL bit is a status flag only).

A software sequence clears the WCOL bit (see [Figure 53](#)).

**Figure 53. Clearing the WCOL bit (Write Collision flag) software sequence**



**Single master systems**

A typical single master system may be configured, using an MCU as the master and four MCUs as slaves (see [Figure 54](#)).

The master device selects the individual slave devices by using four pins of a parallel port to control the four  $\overline{SS}$  pins of the slave devices.

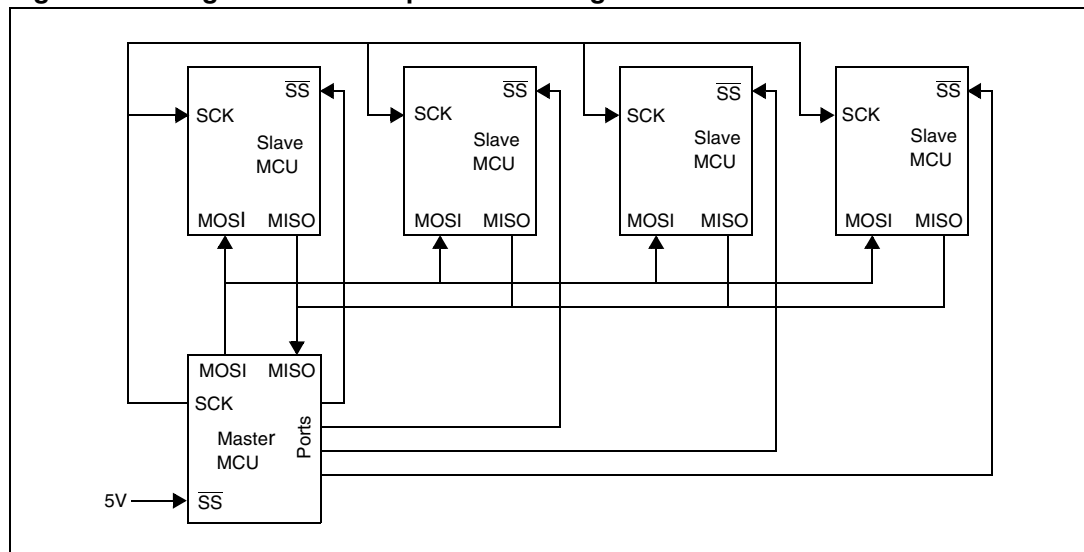
The  $\overline{SS}$  pins are pulled high during reset since the master device ports will be forced to be inputs at that time, thus disabling the slave devices.

Note: To prevent a bus conflict on the MISO line the master allows only one active slave device during a transmission.

For more security, the slave device may respond to the master with the received data byte. Then the master will receive the previous byte back from the slave device if all MISO and MOSI pins are connected and the slave has not written to its SPIDR register.

Other transmission security methods can use ports for handshake lines or data bytes with command fields.

**Figure 54. Single master/multiple slave configuration**





### 10.4.6 Low power modes

**Table 53. Effect of low power modes on SPI**

| Mode | Description  |
|------|--|
| Wait | No effect on SPI.<br>SPI interrupt events cause the device to exit from Wait mode.   |
| Halt | SPI registers are frozen.<br>In Halt mode, the SPI is inactive. SPI operation resumes when the MCU is woken up by an interrupt with Exit from Halt mode capability. The data received is subsequently read from the SPIDR register when the software is running (interrupt vector fetching). If several data are received before the wake-up event, then an overrun error is generated. This error can be detected after the fetch of the interrupt routine that woke up the device. |

#### Using the SPI to wake up the MCU from Halt mode

In slave configuration, the SPI is able to wake up the ST7 device from Halt mode through a SPIF interrupt. The data received is subsequently read from the SPIDR register when the software is running (interrupt vector fetch). If multiple data transfers have been performed before software clears the SPIF bit, then the OVR bit is set by hardware.

*Note:* When waking up from Halt mode, if the SPI remains in Slave mode, it is recommended to perform an extra communications cycle to bring the SPI from Halt mode state to normal state. If the SPI exits from Slave mode, it returns to normal state immediately.

**Caution:** The SPI can wake up the ST7 from Halt mode only if the Slave Select signal (external  $\overline{SS}$  pin or the SSI bit in the SPICSR register) is low when the ST7 enters Halt mode. Therefore, if Slave selection is configured as external (see [Slave Select management on page 99](#)), make sure the master drives a low level on the  $\overline{SS}$  pin when the slave enters Halt mode.

### 10.4.7 Interrupts

**Table 54. SPI interrupt control/wake-up capability<sup>(1)</sup>**

| Interrupt event           | Event flag | Enable control bit | Exit from WAIT | Exit from HALT |
|---------------------------|------------|--------------------|----------------|----------------|
| SPI end of transfer event | SPIF       | SPIE               | Yes            | Yes            |
| Master mode fault event   | MODF       |                    |                | No             |
| Overrun error             | OVR        |                    |                |                |

1. The SPI interrupt events are connected to the same interrupt vector (see [Section 7: Interrupts](#)). They generate an interrupt if the corresponding Enable Control Bit is set and the interrupt mask in the CC register is reset (RIM instruction).

### 10.4.8 SPI registers

#### SPI Control Register (SPICR)

SPICR Reset value: 0000 xxxx (0xh)

|  |      |     |      |      |      |      |          |   |
|--|------|-----|------|------|------|------|----------|---|
|  | 7    | 6   | 5    | 4    | 3    | 2    | 1        | 0 |
|  | SPIE | SPE | SPR2 | MSTR | CPOL | CPHA | SPR[1:0] |   |
|  | R/W  | R/W | R/W  | R/W  | R/W  | R/W  | R/W      |   |

**Table 55. SPICR register description**

| Bit | Name | Function   |
|-----|------|--|
| 7   | SPIE | <p>Serial Peripheral Interrupt Enable</p> <p>This bit is set and cleared by software.</p> <p>0: Interrupt is inhibited.</p> <p>1: An SPI interrupt is generated whenever SPIF = 1, MODF = 1 or OVR = 1 in the SPICSR register.</p>   |
| 6   | SPE  | <p>Serial Peripheral Output Enable</p> <p>This bit is set and cleared by software. It is also cleared by hardware when, in master mode, <math>\overline{SS} = 0</math> (see <a href="#">Master mode fault (MODF) on page 103</a>). The SPE bit is cleared by reset, so the SPI peripheral is not initially connected to the external pins.</p> <p>0: I/O pins free for general purpose I/O</p> <p>1: SPI I/O pin alternate functions enabled</p> |
| 5   | SPR2 | <p>Divider Enable</p> <p>This bit is set and cleared by software and is cleared by reset. It is used with the SPR[1:0] bits to set the baud rate. Refer to <a href="#">Table 56: SPI master mode SCK frequency</a>.</p> <p>0: Divider by 2 enabled</p> <p>1: Divider by 2 disabled</p> <p><i>Note: This bit has no effect in slave mode.</i></p>   |
| 4   | MSTR | <p>Master mode</p> <p>This bit is set and cleared by software. It is also cleared by hardware when, in master mode, <math>\overline{SS} = 0</math> (see <a href="#">Master mode fault (MODF) on page 103</a>).</p> <p>0: Slave mode</p> <p>1: Master mode. The function of the SCK pin changes from an input to an output and the functions of the MISO and MOSI pins are reversed.</p>  |
| 3   | CPOL | <p>Clock Polarity</p> <p>This bit is set and cleared by software. This bit determines the idle state of the serial Clock. The CPOL bit affects both the master and slave modes.</p> <p>0: SCK pin has a low level idle state</p> <p>1: SCK pin has a high level idle state</p> <p><i>Note: If CPOL is changed at the communication byte boundaries, the SPI must be disabled by resetting the SPE bit.</i></p>                                   |

**Table 55. SPICR register description (continued)**

| Bit | Name     | Function   |
|-----|----------|--|
| 2   | CPHA     | Clock Phase<br>This bit is set and cleared by software.<br>0: The first clock transition is the first data capture edge.<br>1: The second clock transition is the first capture edge.<br><i>Note: The slave must have the same CPOL and CPHA settings as the master.</i>         |
| 1:0 | SPR[1:0] | Serial clock frequency<br>These bits are set and cleared by software. Used with the SPR2 bit, they select the baud rate of the SPI serial clock SCK output by the SPI in master mode (see <a href="#">Table 56</a> ).<br><i>Note: These 2 bits have no effect in slave mode.</i> |

**Table 56. SPI master mode SCK frequency**

| Serial clock  | SPR2 | SPR1 | SPR0 |
|---------------|------|------|------|
| $f_{CPU}/4$   | 1    | 0    | 0    |
| $f_{CPU}/8$   | 0    | 0    | 0    |
| $f_{CPU}/16$  | 0    | 0    | 1    |
| $f_{CPU}/32$  | 1    | 1    | 0    |
| $f_{CPU}/64$  | 0    | 1    | 0    |
| $f_{CPU}/128$ | 0    | 1    | 1    |

**SPI Control/Status Register (SPICSR)**

SPICSR Reset value: 0000 0000 (00h)

|      |      |     |      |          |     |     |     |
|------|------|-----|------|----------|-----|-----|-----|
| 7    | 6    | 5   | 4    | 3        | 2   | 1   | 0   |
| SPIF | WCOL | OVR | MODF | Reserved | SOD | SSM | SSI |
| RO   | RO   | RO  | RO   | -        | R/W | R/W | R/W |

Table 57. SPICSR register description

| Bit | Name | Function   |
|-----|------|--|
| 7   | SPIF | <p>Serial Peripheral data transfer flag</p> <p>This bit is set by hardware when a transfer has been completed. An interrupt is generated if SPIE = 1 in the SPICR register. It is cleared by a software sequence (an access to the SPICSR register followed by a write or a read to the SPIDR register).</p> <p>0: Data transfer is in progress or the flag has been cleared<br/>1: Data transfer between the device and an external device has been completed.</p> <p><i>Note: While the SPIF bit is set, all writes to the SPIDR register are inhibited until the SPICSR register is read.</i></p> |
| 6   | WCOL | <p>Write Collision status</p> <p>This bit is set by hardware when a write to the SPIDR register is done during a transmit sequence. It is cleared by a software sequence (see <a href="#">Figure 53</a>).</p> <p>0: No write collision occurred<br/>1: A write collision has been detected.</p>  |
| 5   | OVR  | <p>SPI Overrun error</p> <p>This bit is set by hardware when the byte currently being received in the shift register is ready to be transferred into the SPIDR register while SPIF = 1 (see <a href="#">Overrun condition (OVR) on page 103</a>). An interrupt is generated if SPIE = 1 in SPICR register. The OVR bit is cleared by software reading the SPICSR register.</p> <p>0: No overrun error<br/>1: Overrun error detected</p>  |
| 4   | MODF | <p>Mode Fault flag</p> <p>This bit is set by hardware when the <math>\overline{SS}</math> pin is pulled low in master mode (see <a href="#">Master mode fault (MODF) on page 103</a>). An SPI interrupt can be generated if SPIE = 1 in the SPICSR register. This bit is cleared by a software sequence (An access to the SPICR register while MODF = 1 followed by a write to the SPICR register).</p> <p>0: No master mode fault detected<br/>1: A fault in master mode has been detected.</p>   |
| 3   | -    | Reserved, must be kept cleared.  |
| 2   | SOD  | <p>SPI Output Disable</p> <p>This bit is set and cleared by software. When set, it disables the alternate function of the SPI output (MOSI in master mode / MISO in slave mode).</p> <p>0: SPI output enabled (if SPE = 1).<br/>1: SPI output disabled.</p>  |
| 1   | SSM  | <p><math>\overline{SS}</math> Management</p> <p>This bit is set and cleared by software. When set, it disables the alternate function of the SPI <math>\overline{SS}</math> pin and uses the SSI bit value instead. See <a href="#">Slave Select management on page 99</a>.</p> <p>0: Hardware management (<math>\overline{SS}</math> managed by external pin).<br/>1: Software management (internal <math>\overline{SS}</math> signal controlled by SSI bit. External <math>\overline{SS}</math> pin free for general-purpose I/O).</p>   |
| 0   | SSI  | <p><math>\overline{SS}</math> Internal mode</p> <p>This bit is set and cleared by software. It acts as a 'chip select' by controlling the level of the <math>\overline{SS}</math> slave select signal when the SSM bit is set.</p> <p>0: Slave selected.<br/>1: Slave deselected.</p>  |

**SPI Data I/O Register (SPIDR)**

|       |     |     |     |     |     |     |                        |  |
|-------|-----|-----|-----|-----|-----|-----|------------------------|--|
| SPIDR |     |     |     |     |     |     | Reset value: undefined |  |
| 7     | 6   | 5   | 4   | 3   | 2   | 1   | 0                      |  |
| D7    | D6  | D5  | D4  | D3  | D2  | D1  | D0                     |  |
| R/W   | R/W | R/W | R/W | R/W | R/W | R/W | R/W                    |  |

The SPIDR register is used to transmit and receive data on the serial bus. In a master device, a write to this register will initiate transmission/reception of another byte.

*Note:* During the last clock cycle the SPIF bit is set, a copy of the received data byte in the shift register is moved to a buffer. When the user reads the serial peripheral data I/O register, the buffer is actually being read.

While the SPIF bit is set, all writes to the SPIDR register are inhibited until the SPICSR register is read.

---

**Warning:** A write to the SPIDR register places data directly into the shift register for transmission.

---

A read to the SPIDR register returns the value located in the buffer and not the content of the shift register (see [Figure 48](#)).

**Table 58. SPI register map and reset values**

| Address (Hex.) | Register label        | 7         | 6         | 5         | 4         | 3         | 2         | 1         | 0         |
|----------------|-----------------------|-----------|-----------|-----------|-----------|-----------|-----------|-----------|-----------|
| 0021h          | SPIDR<br>Reset value  | MSB<br>x  | x         | x         | x         | x         | x         | x         | LSB<br>x  |
| 0022h          | SPICR<br>Reset value  | SPIE<br>0 | SPE<br>0  | SPR2<br>0 | MSTR<br>0 | CPOL<br>x | CPHA<br>x | SPR1<br>x | SPR0<br>x |
| 0023h          | SPICSR<br>Reset value | SPIF<br>0 | WCOL<br>0 | OVR<br>0  | MODF<br>0 |           | SOD<br>0  | SSM<br>0  | SSI<br>0  |

## 10.5 Serial communications interface (SCI)

### 10.5.1 Introduction

The serial communications interface (SCI) offers a flexible means of full-duplex data exchange with external equipment requiring an industry standard NRZ asynchronous serial data format. The SCI offers a very wide range of baud rates using two baud rate generator systems.

### 10.5.2 Main features

- Full duplex, asynchronous communications
- NRZ standard format (mark/space)
- Dual baud rate generator systems
- Independently programmable transmit and receive baud rates up to 500K baud.
- Programmable data word length (8 or 9 bits)
- Receive buffer full, Transmit buffer empty and End of Transmission flags
- 2 receiver wake-up modes
  - Address bit (MSB)
  - Idle line
- Muting function for multiprocessor configurations
- Separate enable bits for Transmitter and Receiver
- 4 error detection flags
  - Overrun error
  - Noise error
  - Frame error
  - Parity error
- 5 interrupt sources with flags
  - Transmit data register empty
  - Transmission complete
  - Receive data register full
  - Idle line received
  - Overrun error detected
- Parity control
  - Transmits parity bit
  - Checks parity of received data byte
- Reduced power consumption mode

### 10.5.3 General description

The interface is externally connected to another device by two pins (see [Figure 56](#)):

- TDO: Transmit Data Output. When the transmitter and the receiver are disabled, the output pin returns to its I/O port configuration. When the transmitter and/or the receiver are enabled and nothing is to be transmitted, the TDO pin is at high level.
- RDI: Receive Data Input is the serial data input. Oversampling techniques are used for data recovery by discriminating between valid incoming data and noise.

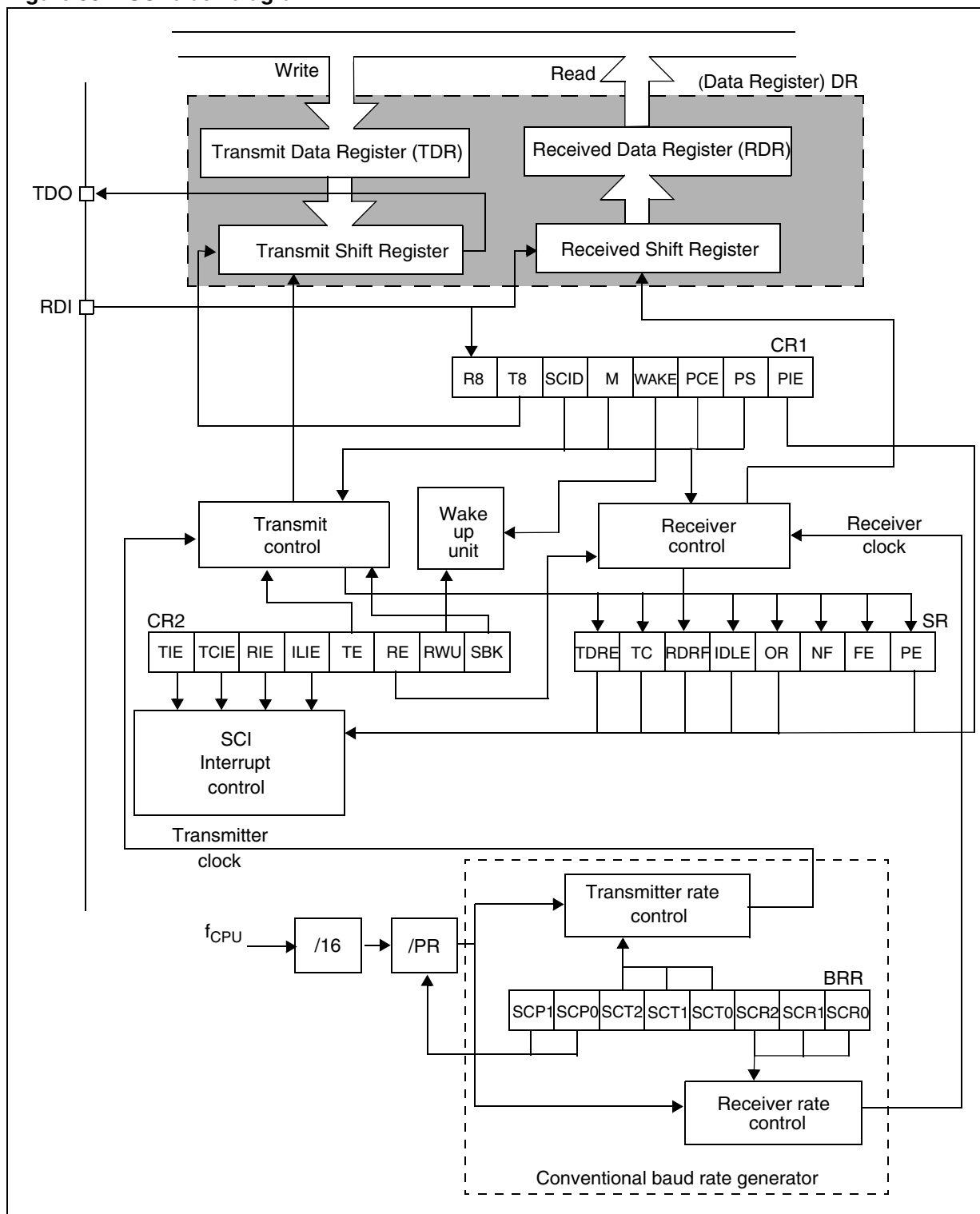
Through these pins, serial data is transmitted and received as frames comprising:

- an Idle Line prior to transmission or reception
- a start bit
- a data word (8 or 9 bits) least significant bit first
- a Stop bit indicating that the frame is complete

This interface uses two types of baud rate generator:

- a conventional type for commonly-used baud rates
- an extended type with a prescaler offering a very wide range of baud rates even with non-standard oscillator frequencies

Figure 55. SCI block diagram





### 10.5.4 Functional description

The block diagram of the serial control interface is shown in *Figure 55*. It contains six dedicated registers:

- 2 control registers (SCICR1 and SCICR2)
- a status register (SCISR)
- a baud rate register (SCIBRR)
- an extended prescaler receiver register (SCIERPR)
- an extended prescaler transmitter register (SCIETPR)

Refer to the register descriptions in *Section 10.5.7* for the definitions of each bit.

#### Serial data format

Word length may be selected as being either 8 or 9 bits by programming the M bit in the SCICR1 register (see *Figure 55*).

The TDO pin is in low state during the start bit.

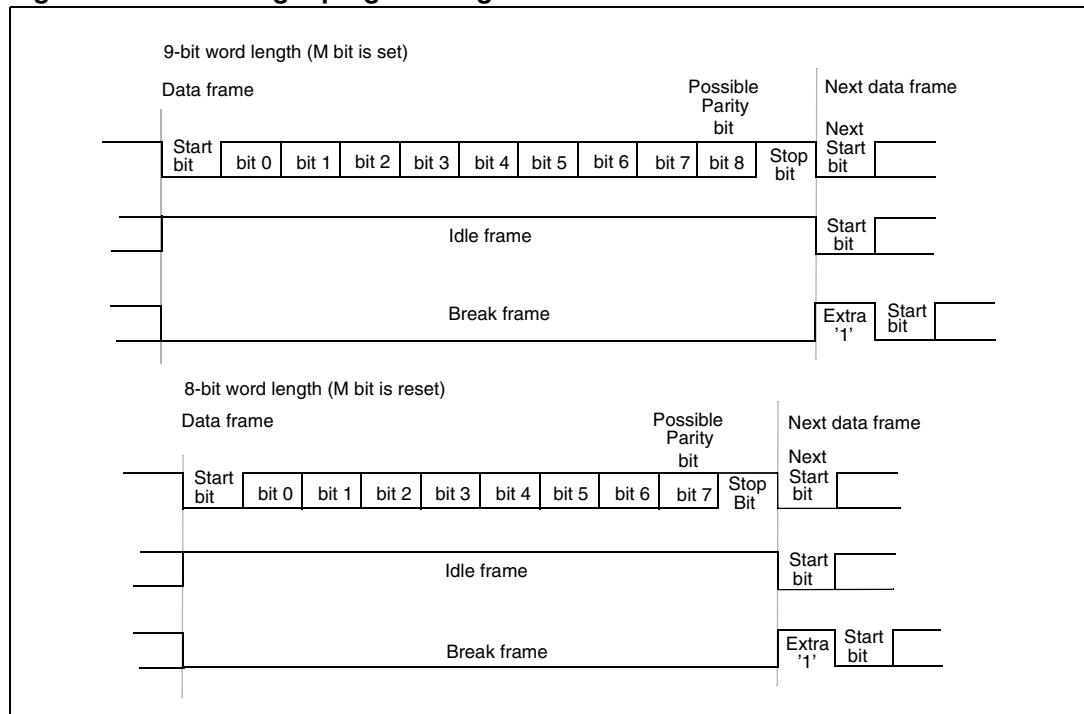
The TDO pin is in high state during the stop bit.

An Idle character is interpreted as an entire frame of '1's followed by the start bit of the next frame which contains data.

A Break character is interpreted on receiving '0's for some multiple of the frame period. At the end of the last break frame the transmitter inserts an extra '1' bit to acknowledge the start bit.

Transmission and reception are driven by their own baud rate generator.

**Figure 56. Word length programming**



## Transmitter

The transmitter can send data words of either 8 or 9 bits depending on the M bit status. When the M bit is set, word length is 9 bits and the 9th bit (the MSB) has to be stored in the T8 bit in the SCICR1 register.

### Character transmission

During an SCI transmission, data shifts out LSB first on the TDO pin. In this mode, the SCIDR register consists of a buffer (TDR) between the internal bus and the transmit shift register (see [Figure 55](#)).

### Procedure

1. Select the M bit to define the word length.
2. Select the desired baud rate using the SCIBRR and the SCIETPR registers.
3. Set the TE bit to assign the TDO pin to the alternate function and to send a idle frame as first transmission.
4. Access the SCISR register and write the data to send in the SCIDR register (this sequence clears the TDRE bit). Repeat this sequence for each data to be transmitted.

Clearing the TDRE bit is always performed by the following software sequence:

1. An access to the SCISR register
2. A write to the SCIDR register

The TDRE bit is set by hardware and it indicates:

- The TDR register is empty.
- The data transfer is beginning.
- The next data can be written in the SCIDR register without overwriting the previous data.

This flag generates an interrupt if the TIE bit is set and the I bit is cleared in the CCR register.

When a transmission is taking place, a write instruction to the SCIDR register stores the data in the TDR register and which is copied in the shift register at the end of the current transmission.

When no transmission is taking place, a write instruction to the SCIDR register places the data directly in the shift register, the data transmission starts, and the TDRE bit is immediately set.

When a frame transmission is complete (after the stop bit) the TC bit is set and an interrupt is generated if the TCIE is set and the I bit is cleared in the CCR register.

Clearing the TC bit is performed by the following software sequence:

1. An access to the SCISR register
2. A write to the SCIDR register

*Note:* The TDRE and TC bits are cleared by the same software sequence.

**Break characters**

Setting the SBK bit loads the shift register with a break character. The break frame length depends on the M bit (see [Figure 56](#)).

As long as the SBK bit is set, the SCI send break frames to the TDO pin. After clearing this bit by software the SCI insert a logic 1 bit at the end of the last break frame to guarantee the recognition of the start bit of the next frame.

**Idle characters**

Setting the TE bit drives the SCI to send an idle frame before the first data frame.

Clearing and then setting the TE bit during a transmission sends an idle frame after the current word.

*Note: Resetting and setting the TE bit causes the data in the TDR register to be lost. Therefore, the best time to toggle the TE bit is when the TDRE bit is set, that is, before writing the next byte in the SCIDR.*

**Receiver**

The SCI can receive data words of either 8 or 9 bits. When the M bit is set, word length is 9 bits and the MSB is stored in the R8 bit in the SCICR1 register.

**Character reception**

During a SCI reception, data shifts in least significant bit first through the RDI pin. In this mode, the SCIDR register consists of a buffer (RDR) between the internal bus and the received shift register (see [Figure 55](#)).

**Procedure**

1. Select the M bit to define the word length.
2. Select the desired baud rate using the SCIBRR and the SCIERPR registers.
3. Set the RE bit, this enables the receiver which begins searching for a start bit.

When a character is received:

- The RDRF bit is set. It indicates that the content of the shift register is transferred to the RDR.
- An interrupt is generated if the RIE bit is set and the I bit is cleared in the CCR register.
- The error flags can be set if a frame error, noise or an overrun error has been detected during reception.

Clearing the RDRF bit is performed by the following software sequence done by:

1. An access to the SCISR register
2. A read to the SCIDR register.

The RDRF bit must be cleared before the end of the reception of the next character to avoid an overrun error.

**Break character**

When a break character is received, the SCI handles it as a framing error.

**Idle character**

When an idle frame is detected, there is the same procedure as a data received character plus an interrupt if the ILIE bit is set and the I bit is cleared in the CCR register.

**Overrun error**

An overrun error occurs when a character is received when RDRF has not been reset. Data can not be transferred from the shift register to the RDR register as long as the RDRF bit is not cleared.

When a overrun error occurs:

- The OR bit is set.
- The RDR content will not be lost.
- The shift register will be overwritten.
- An interrupt is generated if the RIE bit is set and the I bit is cleared in the CCR register.

The OR bit is reset by an access to the SCISR register followed by a SCIDR register read operation.

**Noise error**

Oversampling techniques are used for data recovery by discriminating between valid incoming data and noise. Normal data bits are considered valid if three consecutive samples (8th, 9th, 10th) have the same bit value, otherwise the NF flag is set. In the case of start bit detection, the NF flag is set on the basis of an algorithm combining both valid edge detection and three samples (8th, 9th, 10th). Therefore, to prevent the NF flag from being set during start bit reception, there should be a valid edge detection as well as three valid samples.

When noise is detected in a frame:

- The NF flag is set at the rising edge of the RDRF bit.
- Data is transferred from the Shift register to the SCIDR register.
- No interrupt is generated. However this bit rises at the same time as the RDRF bit which itself generates an interrupt.

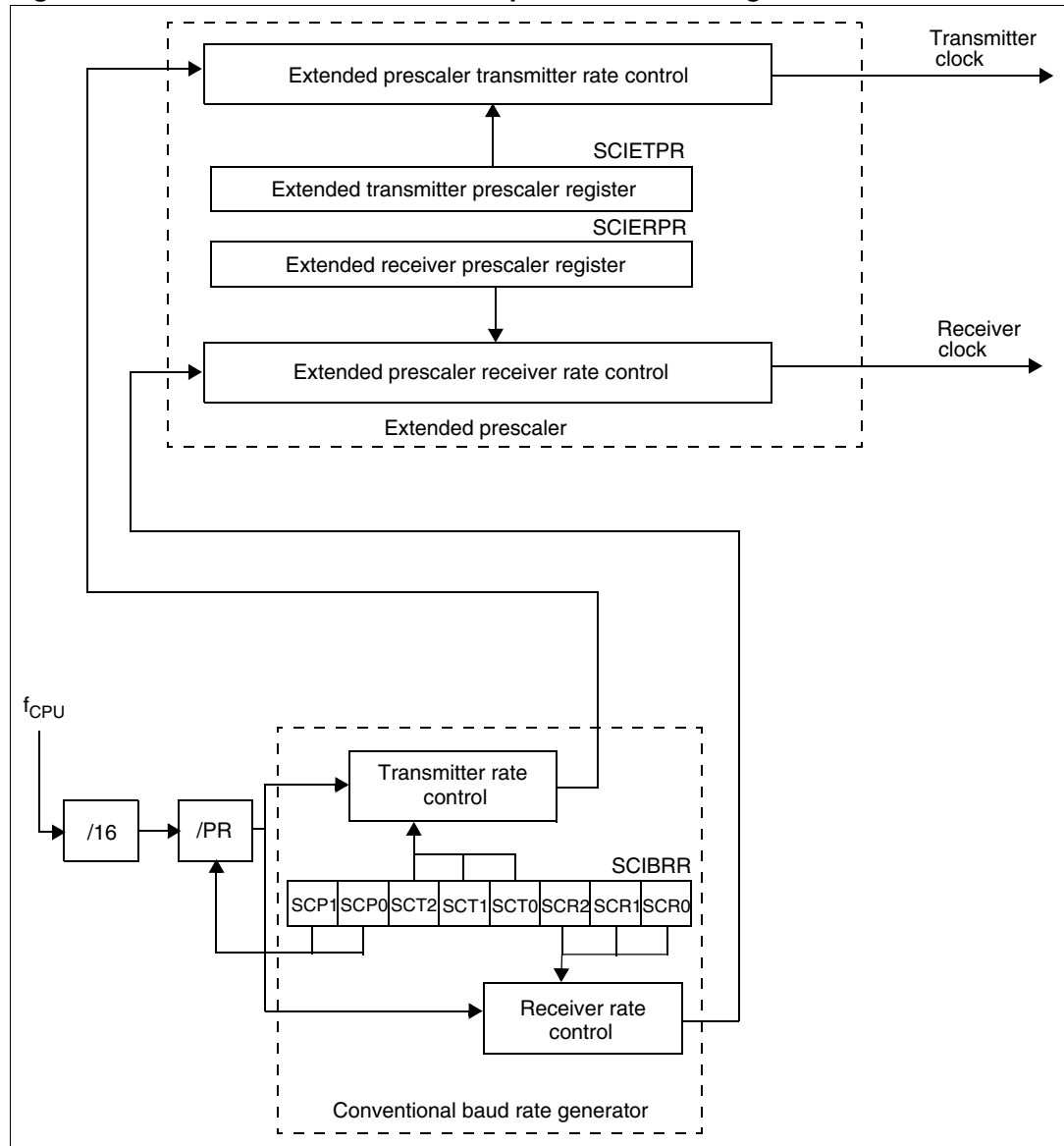
The NF flag is reset by a SCISR register read operation followed by a SCIDR register read operation.

During reception, if a false start bit is detected (for example, 8th, 9th, 10th samples are 011,101,110), the frame is discarded and the receiving sequence is not started for this frame. There is no RDRF bit set for this frame and the NF flag is set internally (not accessible to the user). This NF flag is accessible along with the RDRF bit when a next valid frame is received.

*Note: If the application Start bit is not long enough to match the above requirements, then the NF Flag may get set due to the short Start bit. In this case, the NF flag may be ignored by the application software when the first valid byte is received.*

See also [Noise error causes on page 121](#).

Figure 57. SCI baud rate and extended prescaler block diagram



**Framing error**

A framing error is detected when:

- The stop bit is not recognized on reception at the expected time, following either a de-synchronization or excessive noise.
- A break is received.

When the framing error is detected:

- the FE bit is set by hardware
- Data is transferred from the Shift register to the SCIDR register.
- No interrupt is generated. However this bit rises at the same time as the RDRF bit which itself generates an interrupt.

The FE bit is reset by a SCISR register read operation followed by a SCIDR register read operation.

### Conventional baud rate generation

The baud rate for the receiver and transmitter (Rx and Tx) are set independently and calculated as follows:

$$Tx = \frac{f_{CPU}}{(16 \cdot PR) \cdot TR} \quad Rx = \frac{f_{CPU}}{(16 \cdot PR) \cdot RR}$$

with:

PR = 1, 3, 4 or 13 (see SCP[1:0] bits)

TR = 1, 2, 4, 8, 16, 32, 64, 128

(see SCT[2:0] bits)

RR = 1, 2, 4, 8, 16, 32, 64, 128

(see SCR[2:0] bits)

All these bits are in the [SCI Baud Rate Register \(SCIBRR\) on page 127](#).

Example: If  $f_{CPU}$  is 8 MHz (normal mode) and if PR = 13 and TR = RR = 1, the transmit and receive baud rates are 38400 baud.

*Note:* The baud rate registers **MUST NOT** be changed while the transmitter or the receiver is enabled.

### Extended baud rate generation

The extended prescaler option gives a very fine tuning on the baud rate, using a 255 value prescaler, whereas the conventional baud rate generator retains industry standard software compatibility.

The extended baud rate generator block diagram is described in [Figure 57](#).

The output clock rate sent to the transmitter or to the receiver will be the output from the 16 divider divided by a factor ranging from 1 to 255 set in the SCIERPR or the SCIETPR register.

The extended prescaler is activated by setting the SCIETPR or SCIERPR register to a value other than zero. The baud rates are calculated as follows:

$$Tx = \frac{f_{CPU}}{16 \cdot ETPR \cdot (PR \cdot TR)} \quad Rx = \frac{f_{CPU}}{16 \cdot ERPR \cdot (PR \cdot RR)}$$

with:

ETPR = 1,...,255, see [SCI Extended Transmit Prescaler Division Register \(SCIETPR\) on page 128](#).

ERPR = 1,.. 255, see [SCI Extended Receive Prescaler Division Register \(SCIERPR\) on page 128](#)

### Receiver muting and wake-up feature

In multiprocessor configurations it is often desirable that only the intended message recipient should actively receive the full message contents, thus reducing redundant SCI service overhead for all non-addressed receivers.

The non-addressed devices may be placed in sleep mode by means of the muting function.

Setting the RWU bit by software puts the SCI in sleep mode:

- All the reception status bits cannot be set.
- All the receive interrupts are inhibited.

A muted receiver may be awakened by one of the following two ways:

- by Idle Line detection if the Wake bit is reset,
- by Address Mark detection if the Wake bit is set.

A receiver wakes up by Idle Line detection when the Receive line has recognized an Idle Frame. Then the RWU bit is reset by hardware but the Idle bit is not set.

A receiver wakes up by Address Mark detection when it received a '1' as the most significant bit of a word, thus indicating that the message is an address. The reception of this particular word wakes up the receiver, resets the RWU bit and sets the RDRF bit, which allows the receiver to receive this word normally and to use it as an address word.

**Caution:** In Mute mode, do not write to the SCICR2 register. If the SCI is in Mute mode during the read operation (RWU = 1) and an address mark wake-up event occurs (RWU is reset) before the write operation, the RWU bit will be set again by this write operation. Consequently the address byte is lost and the SCI is not woken up from Mute mode.

### Parity control

Parity control (generation of parity bit in transmission and parity checking in reception) can be enabled by setting the PCE bit in the SCICR1 register. Depending on the frame length defined by the M bit, the possible SCI frame formats are as listed in [Table 59](#).

**Table 59. Frame formats<sup>(1)(2)</sup>**

| M bit | PCE bit | SCI frame                  |
|-------|---------|----------------------------|
| 0     | 0       | SB   8 bit data   STB      |
| 0     | 1       | SB   7-bit data   PB   STB |
| 1     | 0       | SB   9-bit data   STB      |
| 1     | 1       | SB   8-bit data PB   STB   |

1. SB = Start bit, STB = Stop bit, and PB = Parity bit.

2. In case of wake-up by an address mark, the MSB bit of the data is taken into account and not the Parity bit.

**Even parity**

The parity bit is calculated to obtain an even number of '1's inside the frame made of the 7 or 8 LSB bits (depending on whether M is equal to 0 or 1) and the parity bit, for example, data = 00110101; 4 bits set => Parity bit will be 0 if Even parity is selected (PS bit = 0).

**Odd parity**

The parity bit is calculated to obtain an odd number of '1's inside the frame made of the 7 or 8 LSB bits (depending on whether M is equal to 0 or 1) and the parity bit, for example, data = 00110101; 4 bits set => Parity bit will be 1 if Odd parity is selected (PS bit = 1).

**Transmission mode**

If the PCE bit is set then the MSB bit of the data written in the data register is not transmitted but is changed by the parity bit.

**Reception mode**

If the PCE bit is set then the interface checks if the received data byte has an even number of '1's if even parity is selected (PS = 0) or an odd number of '1's if odd parity is selected (PS = 1). If the parity check fails, the PE flag is set in the SCISR register and an interrupt is generated if PIE is set in the SCICR1 register.

**SCI clock tolerance**

During reception, each bit is sampled 16 times. The majority of the 8th, 9th and 10th samples is considered as the bit value. For a valid bit detection, all the three samples should have the same value otherwise the noise flag (NF) is set. For example: If the 8th, 9th and 10th samples are 0, 1 and 1 respectively, then the bit value will be '1', but the Noise flag bit is set because the three samples values are not the same.

Consequently, the bit length must be long enough so that the 8th, 9th and 10th samples have the desired bit value. This means the clock frequency should not vary more than 6/16 (37.5%) within one bit. The sampling clock is resynchronized at each start bit, so that when receiving 10 bits (one start bit, 1 data byte, 1 stop bit), the clock deviation must not exceed 3.75%.

*Note: The internal sampling clock of the microcontroller samples the pin value on every falling edge. Therefore, the internal sampling clock and the time the application expects the sampling to take place may be out of sync. For example: If the baud rate is 15.625 kbaud (bit length is 64µs), then the 8th, 9th and 10th samples will be at 28µs, 32µs and 36µs respectively (the first sample starting ideally at 0µs). But if the falling edge of the internal clock occurs just before the pin value changes, the samples would then be out of sync by ~4µs. This means the entire bit length must be at least 40µs (36µs for the 10th sample + 4µs for synchronization with the internal sampling clock).*



**Clock deviation causes**

The causes which contribute to the total deviation are:

- $D_{TRA}$ : Deviation due to transmitter error (local oscillator error of the transmitter or the transmitter is transmitting at a different baud rate).
- $D_{QUANT}$ : Error due to the baud rate quantization of the receiver.
- $D_{REC}$ : Deviation of the local oscillator of the receiver: This deviation can occur during the reception of one complete SCI message assuming that the deviation has been compensated at the beginning of the message.
- $D_{TCL}$ : Deviation due to the transmission line (generally due to the transceivers)

All the deviations of the system should be added and compared to the SCI clock tolerance:

$$D_{TRA} + D_{QUANT} + D_{REC} + D_{TCL} < 3.75\%$$

**Noise error causes**

See also the description of Noise error in [Receiver on page 115](#).

**Start bit**

The Noise Flag (NF) is set during start bit reception if one of the following conditions occurs:

1. A valid falling edge is not detected. A falling edge is considered to be valid if the three consecutive samples before the falling edge occurs are detected as '1' and, after the falling edge occurs, during the sampling of the 16 samples, if one of the samples numbered 3, 5 or 7 is detected as a '1'.
2. During sampling of the 16 samples, if one of the samples numbered 8, 9 or 10 is detected as a '1'.

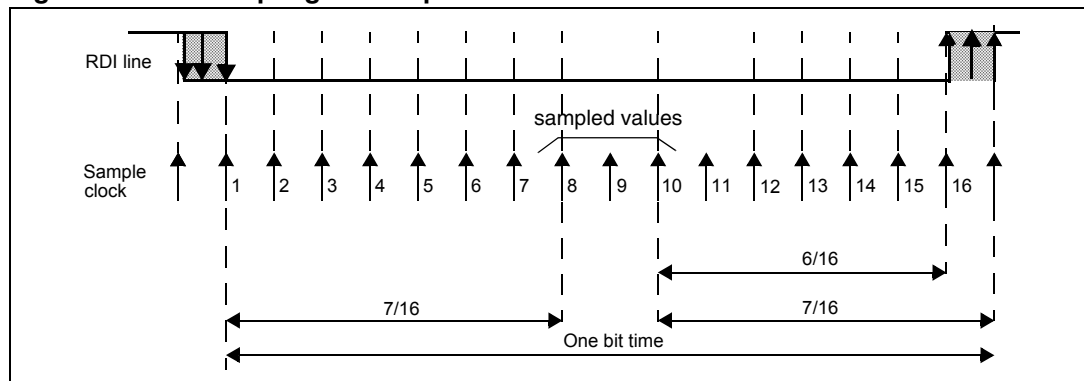
Therefore, a valid Start bit must satisfy both the above conditions to prevent the Noise Flag from being set.

**Data bits**

The Noise Flag (NF) is set during normal data bit reception if the following condition occurs: During the sampling of 16 samples, if all three samples numbered 8, 9 and 10 are not the same. The majority of the 8th, 9th and 10th samples is considered as the bit value.

Therefore, a valid Data bit must have samples 8, 9 and 10 at the same value to prevent the Noise Flag from being set.

**Figure 58. Bit sampling in Reception mode**



### 10.5.5 Low power modes

**Table 60. Effect of low power modes on SCI**

| Mode | Description  |
|------|--|
| Wait | No effect on SCI.<br>SCI interrupts cause the device to exit from Wait mode.                               |
| Halt | SCI registers are frozen.<br>In Halt mode, the SCI stops transmitting/receiving until Halt mode is exited. |

### 10.5.6 Interrupts

The SCI interrupt events are connected to the same interrupt vector.

These events generate an interrupt if the corresponding Enable Control bit is set and the interrupt mask in the CC register is reset (RIM instruction).

**Table 61. SCI interrupt control/wake-up capability**

| Interrupt event                | Event flag | Enable control bit | Exit from WAIT | Exit from HALT |
|--------------------------------|------------|--------------------|----------------|----------------|
| Transmit data register empty   | TDRE       | TIE                | Yes            | No             |
| Transmission complete          | TC         | TCIE               | Yes            | No             |
| Received data ready to be read | RDRF       | RIE                | Yes            | No             |
| Overrun error detected         | OR         |                    | Yes            | No             |
| Idle line detected             | IDLE       | ILIE               | Yes            | No             |
| Parity error                   | PE         | PIE                | Yes            | No             |

### 10.5.7 SCI registers

#### SCI Status Register (SCISR)

SCISR Reset value: 1100 0000 (C0h)

|      |    |      |      |    |    |    |    |
|------|----|------|------|----|----|----|----|
| 7    | 6  | 5    | 4    | 3  | 2  | 1  | 0  |
| TDRE | TC | RDRF | IDLE | OR | NF | FE | PE |
| RO   | RO | RO   | RO   | RO | RO | RO | RO |

Table 62. SCISR register description

| Bit | Name | Function   |
|-----|------|--|
| 7   | TDRE | <p>Transmit Data Register Empty</p> <p>This bit is set by hardware when the content of the TDR register has been transferred into the shift register. An interrupt is generated if the TIE bit = 1 in the SCICR2 register. It is cleared by a software sequence (an access to the SCISR register followed by a write to the SCIDR register).</p> <p>0: Data is not transferred to the shift register.<br/>1: Data is transferred to the shift register.</p> <p><i>Note: Data will not be transferred to the shift register unless the TDRE bit is cleared.</i></p> |
| 6   | TC   | <p>Transmission Complete</p> <p>This bit is set by hardware when transmission of a frame containing data is complete. An interrupt is generated if TCIE = 1 in the SCICR2 register. It is cleared by a software sequence (an access to the SCISR register followed by a write to the SCIDR register).</p> <p>0: Transmission is not complete<br/>1: Transmission is complete</p> <p><i>Note: TC is not set after the transmission of a Preamble or a Break.</i></p>  |
| 5   | RDRF | <p>Received Data Ready Flag</p> <p>This bit is set by hardware when the content of the RDR register has been transferred to the SCIDR register. An interrupt is generated if RIE = 1 in the SCICR2 register. It is cleared by a software sequence (an access to the SCISR register followed by a read to the SCIDR register).</p> <p>0: Data is not received<br/>1: Received data is ready to be read</p>  |
| 4   | IDLE | <p>Idle line detect</p> <p>This bit is set by hardware when a Idle Line is detected. An interrupt is generated if the ILIE = 1 in the SCICR2 register. It is cleared by a software sequence (an access to the SCISR register followed by a read to the SCIDR register).</p> <p>0: No idle line is detected<br/>1: Idle line is detected</p> <p><i>Note: The IDLE bit is not reset until the RDRF bit has itself been set (that is, a new idle line occurs).</i></p>  |
| 3   | OR   | <p>Overrun error</p> <p>This bit is set by hardware when the word currently being received in the shift register is ready to be transferred into the RDR register while RDRF = 1. An interrupt is generated if RIE = 1 in the SCICR2 register. It is cleared by a software sequence (an access to the SCISR register followed by a read to the SCIDR register).</p> <p>0: No overrun error<br/>1: Overrun error is detected</p> <p><i>Note: When this bit is set RDR register content is not lost but the shift register is overwritten.</i></p>                   |
| 2   | NF   | <p>Noise Flag</p> <p>This bit is set by hardware when noise is detected on a received frame. It is cleared by a software sequence (an access to the SCISR register followed by a read to the SCIDR register).</p> <p>0: No noise is detected<br/>1: Noise is detected</p> <p><i>Note: This bit does not generate interrupt as it appears at the same time as the RDRF bit which itself generates an interrupt.</i></p>   |

**Table 62. SCISR register description (continued)**

| Bit | Name | Function   |
|-----|------|--|
| 1   | FE   | <p>Framing Error</p> <p>This bit is set by hardware when a desynchronization, excessive noise or a break character is detected. It is cleared by a software sequence (an access to the SCISR register followed by a read to the SCIDR register).</p> <p>0: No framing error is detected<br/>1: Framing error or break character is detected</p> <p><i>Note: This bit does not generate interrupt as it appears at the same time as the RDRF bit which itself generates an interrupt. If the word currently being transferred causes both Frame Error and Overrun error, it is transferred and only the OR bit will be set.</i></p> |
| 0   | PE   | <p>Parity Error</p> <p>This bit is set by hardware when a parity error occurs in receiver mode. It is cleared by a software sequence (a read to the status register followed by an access to the SCIDR data register). An interrupt is generated if PIE = 1 in the SCICR1 register.</p> <p>0: No parity error<br/>1: Parity error</p>  |

**SCI Control Register 1 (SCICR1)**

|        |     |      |     |      |     |     |                              |  |
|--------|-----|------|-----|------|-----|-----|------------------------------|--|
| SCICR1 |     |      |     |      |     |     | Reset value: x000 0000 (x0h) |  |
| 7      | 6   | 5    | 4   | 3    | 2   | 1   | 0                            |  |
| R8     | T8  | SCID | M   | WAKE | PCE | PS  | PIE                          |  |
| R/W    | R/W | R/W  | R/W | R/W  | R/W | R/W | R/W                          |  |

**Table 63. SCICR1 register description**

| Bit | Name | Function   |
|-----|------|--|
| 7   | R8   | <p>Receive data bit 8</p> <p>This bit is used to store the 9th bit of the received word when M = 1.</p>  |
| 6   | T8   | <p>Transmit data bit 8</p> <p>This bit is used to store the 9th bit of the transmitted word when M = 1.</p>  |
| 5   | SCID | <p>Disabled for low power consumption</p> <p>When this bit is set the SCI prescalers and outputs are stopped and the end of the current byte transfer in order to reduce power consumption. This bit is set and cleared by software.</p> <p>0: SCI enabled<br/>1: SCI prescaler and outputs disabled</p> |
| 4   | M    | <p>Word length</p> <p>This bit determines the word length. It is set or cleared by software.</p> <p>0: 1 Start bit, 8 data bits, 1 Stop bit<br/>1: 1 Start bit, 9 data bits, 1 Stop bit</p> <p><i>Note: The M bit must not be modified during a data transfer (both transmission and reception).</i></p> |

**Table 63. SCICR1 register description (continued)**

| Bit | Name | Function  |
|-----|------|---|
| 3   | WAKE | Wake-Up method<br>This bit determines the SCI Wake-Up method, it is set or cleared by software.<br>0: Idle line<br>1: Address mark  |
| 2   | PCE  | Parity Control Enable<br>This bit selects the hardware parity control (generation and detection). When the parity control is enabled, the computed parity is inserted at the MSB position (9th bit if M = 1; 8th bit if M = 0) and parity is checked on the received data. This bit is set and cleared by software. Once it is set, PCE is active after the current byte (in reception and in transmission).<br>0: Parity control disabled<br>1: Parity control enabled |
| 1   | PS   | Parity Selection<br>This bit selects the odd or even parity when the parity generation/detection is enabled (PCE bit set). It is set and cleared by software. The parity will be selected after the current byte.<br>0: Even parity<br>1: Odd parity  |
| 0   | PIE  | Parity Interrupt Enable<br>This bit enables the interrupt capability of the hardware parity control when a parity error is detected (PE bit set). It is set and cleared by software.<br>0: Parity error interrupt disabled<br>1: Parity error interrupt enabled   |

**SCI Control Register 2 (SCICR2)**

SCICR2 Reset value: 0000 0000 (00h)

|     |      |     |      |     |     |     |     |
|-----|------|-----|------|-----|-----|-----|-----|
| 7   | 6    | 5   | 4    | 3   | 2   | 1   | 0   |
| TIE | TCIE | RIE | ILIE | TE  | RE  | RWU | SBK |
| R/W | R/W  | R/W | R/W  | R/W | R/W | R/W | R/W |

**Table 64. SCICR2 register description**

| Bit | Name | Function   |
|-----|------|--|
| 7   | TIE  | Transmitter Interrupt Enable<br>This bit is set and cleared by software.<br>0: Interrupt is inhibited<br>1: An SCI interrupt is generated whenever TDRE = 1 in the SCISR register.         |
| 6   | TCIE | Transmission Complete Interrupt Enable<br>This bit is set and cleared by software.<br>0: Interrupt is inhibited<br>1: An SCI interrupt is generated whenever TC = 1 in the SCISR register. |

Table 64. SCICR2 register description (continued)

| Bit | Name | Function  |
|-----|------|---|
| 5   | RIE  | Receiver interrupt Enable<br>This bit is set and cleared by software.<br>0: Interrupt is inhibited<br>1: An SCI interrupt is generated whenever OR = 1 or RDRF = 1 in the SCISR register.   |
| 4   | ILIE | Idle Line Interrupt Enable<br>This bit is set and cleared by software.<br>0: Interrupt is inhibited<br>1: An SCI interrupt is generated whenever IDLE = 1 in the SCISR register.  |
| 3   | TE   | Transmitter Enable<br>This bit enables the transmitter. It is set and cleared by software.<br>0: Transmitter is disabled<br>1: Transmitter is enabled<br><i>Notes:</i><br>- During transmission, a '0' pulse on the TE bit ('0' followed by '1') sends a preamble (idle line) after the current word.<br>- When TE is set there is a 1 bit-time delay before the transmission starts.<br><b>Caution:</b> The TDO pin is free for general purpose I/O only when the TE and RE bits are both cleared (or if TE is never set). |
| 2   | RE   | Receiver Enable<br>This bit enables the receiver. It is set and cleared by software.<br>0: Receiver is disabled<br>1: Receiver is enabled and begins searching for a start bit<br><i>Note:</i> Before selecting Mute mode (setting the RWU bit), the SCI must first receive some data, otherwise it cannot function in Mute mode with Wake-Up by Idle line detection.   |
| 1   | RWU  | Receiver Wake-Up<br>This bit determines if the SCI is in mute mode or not. It is set and cleared by software and can be cleared by hardware when a wake-up sequence is recognized.<br>0: Receiver in Active mode<br>1: Receiver in Mute mode  |
| 0   | SBK  | Send Break<br>This bit set is used to send break characters. It is set and cleared by software.<br>0: No break character is transmitted.<br>1: Break characters are transmitted.<br><i>Note:</i> If the SBK bit is set to '1' and then to '0', the transmitter will send a Break word at the end of the current word.   |

**SCI Data Register (SCIDR)**

This register contains the received or transmitted data character, depending on whether it is read from or written to.

|       |     |     |     |     |     |     |                        |  |
|-------|-----|-----|-----|-----|-----|-----|------------------------|--|
| SCIDR |     |     |     |     |     |     | Reset value: undefined |  |
| 7     | 6   | 5   | 4   | 3   | 2   | 1   | 0                      |  |
| DR7   | DR6 | DR5 | DR4 | DR3 | DR2 | DR1 | DR0                    |  |
| R/W   | R/W | R/W | R/W | R/W | R/W | R/W | R/W                    |  |

The Data register performs a double function (read and write) since it is composed of two registers, one for transmission (TDR) and one for reception (RDR).

The TDR register provides the parallel interface between the internal bus and the output shift register (see [Figure 55](#)). The RDR register provides the parallel interface between the input shift register and the internal bus (see [Figure 55](#)).

**SCI Baud Rate Register (SCIBRR)**

|          |   |          |   |   |          |   |                              |  |
|----------|---|----------|---|---|----------|---|------------------------------|--|
| SCIBRR   |   |          |   |   |          |   | Reset value: 0000 0000 (00h) |  |
| 7        | 6 | 5        | 4 | 3 | 2        | 1 | 0                            |  |
| SCP[1:0] |   | SCT[2:0] |   |   | SCR[2:0] |   |                              |  |
| R/W      |   | R/W      |   |   | R/W      |   |                              |  |

**Table 65. SCIBRR register description**

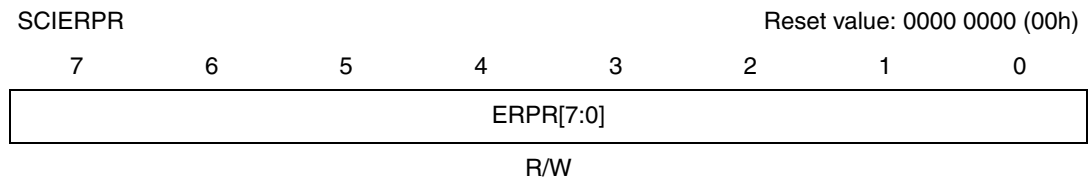
| Bit | Name     | Function  |
|-----|----------|---|
| 7:6 | SCP[1:0] | First SCI Prescaler<br>These 2 prescaling bits allow several standard clock division ranges.<br>00: PR prescaling factor = 1<br>01: PR prescaling factor = 3<br>10: PR prescaling factor = 4<br>11: PR prescaling factor = 13 |

**Table 65. SCIBRR register description (continued)**

| Bit | Name     | Function  |
|-----|----------|---|
| 5:3 | SCT[2:0] | <p>SCI Transmitter rate divisor</p> <p>These 3 bits, in conjunction with the SCP1 and SCP0 bits, define the total division applied to the bus clock to yield the transmit rate clock in conventional baud rate generator mode.</p> <p>000: TR dividing factor = 1<br/>                     001: TR dividing factor = 2<br/>                     010: TR dividing factor = 4<br/>                     011: TR dividing factor = 8<br/>                     100: TR dividing factor = 16<br/>                     101: TR dividing factor = 32<br/>                     110: TR dividing factor = 64<br/>                     111: TR dividing factor = 128</p> |
| 2:0 | SCR[2:0] | <p>SCI Receiver rate divisor</p> <p>These 3 bits, in conjunction with the SCP[1:0] bits, define the total division applied to the bus clock to yield the receive rate clock in conventional baud rate generator mode.</p> <p>000: RR dividing factor = 1<br/>                     001: RR dividing factor = 2<br/>                     010: RR dividing factor = 4<br/>                     011: RR dividing factor = 8<br/>                     100: RR dividing factor = 16<br/>                     101: RR dividing factor = 32<br/>                     110: RR dividing factor = 64<br/>                     111: RR dividing factor = 128</p>          |

**SCI Extended Receive Prescaler Division Register (SCIERPR)**

This register is used to set the Extended Prescaler rate division factor for the receive circuit.



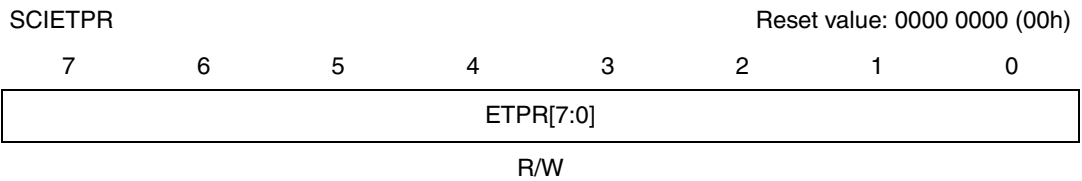
**Table 66. SCIERPR register description**

| Bit | Name      | Function   |
|-----|-----------|--|
| 7:0 | ERPR[7:0] | <p>8-bit Extended Receive Prescaler Register</p> <p>The extended baud rate generator is activated when a value different from 00h is stored in this register. Therefore the clock frequency issued from the 16 divider (see <a href="#">Figure 57</a>) is divided by the binary factor set in the SCIERPR register (in the range 1 to 255).</p> <p>The extended baud rate generator is not used after a reset.</p> |

**SCI Extended Transmit Prescaler Division Register (SCIETPR)**

This register is used to set the External Prescaler rate division factor for the transmit circuit.





**Table 67. SCIETPR register description**

| Bit | Name      | Function  |
|-----|-----------|---|
| 7:0 | ETPR[7:0] | 8-bit Extended Transmit Prescaler Register<br>The extended baud rate generator is activated when a value different from 00h is stored in this register. Therefore the clock frequency issued from the 16 divider (see <a href="#">Figure 57</a> ) is divided by the binary factor set in the SCIETPR register (in the range 1 to 255).<br>The extended baud rate generator is not used after a reset. |

**Table 68. Baud rate selection**

| Symbol                             | Parameter               | Conditions       |                       |   | Standard   | Baud rate  | Unit |
|------------------------------------|-------------------------|------------------|-----------------------|---|--|--|------|
|                                    |                         | f <sub>CPU</sub> | Accuracy vs. Standard | Prescaler   |  |  |      |
| f <sub>Tx</sub><br>f <sub>Rx</sub> | Communication frequency | 8 MHz            | ~0.16%                | Conventional mode<br>TR (or RR) = 128, PR = 13<br>TR (or RR) = 32, PR = 13<br>TR (or RR) = 16, PR = 13<br>TR (or RR) = 8, PR = 13<br>TR (or RR) = 4, PR = 13<br>TR (or RR) = 16, PR = 3<br>TR (or RR) = 2, PR = 13<br>TR (or RR) = 1, PR = 13 | 300<br>1200<br>2400<br>4800<br>9600<br>10400<br>19200<br>38400 | ~300.48<br>~1201.92<br>~2403.84<br>~4807.69<br>~9615.38<br>~10416.67<br>~19230.77<br>~38461.54 | Hz   |
|                                    |                         |                  | ~0.79%                | Extended mode<br>ETPR (or ERPR) = 35,<br>TR (or RR) = 1, PR = 1   | 14400  | ~14285.71  |      |

Table 69. SCI register map and reset values

| Address (Hex.) | Register label          | 7         | 6         | 5         | 4         | 3         | 2         | 1         | 0         |
|----------------|-------------------------|-----------|-----------|-----------|-----------|-----------|-----------|-----------|-----------|
| 0050h          | SCISR<br>Reset value    | TDRE<br>1 | TC<br>1   | RDRF<br>0 | IDLE<br>0 | OR<br>0   | NF<br>0   | FE<br>0   | PE<br>0   |
| 0051h          | SCIDR<br>Reset value    | MSB<br>x  | x         | x         | x         | x         | x         | x         | LSB<br>x  |
| 0052h          | SCIBRR<br>Reset value   | SCP1<br>0 | SCP0<br>0 | SCT2<br>0 | SCT1<br>0 | SCT0<br>0 | SCR2<br>0 | SCR1<br>0 | SCR0<br>0 |
| 0053h          | SCICR1<br>Reset value   | R8<br>x   | T8<br>0   | SCID<br>0 | M<br>0    | WAKE<br>0 | PCE<br>0  | PS<br>0   | PIE<br>0  |
| 0054h          | SCICR2<br>Reset value   | TIE<br>0  | TCIE<br>0 | RIE<br>0  | ILIE<br>0 | TE<br>0   | RE<br>0   | RWU<br>0  | SBK<br>0  |
| 0055h          | SCIERPR<br>Reset value  | MSB<br>0  | 0         | 0         | 0         | 0         | 0         | 0         | LSB<br>0  |
| 0057h          | SCIPETPR<br>Reset value | MSB<br>0  | 0         | 0         | 0         | 0         | 0         | 0         | LSB<br>0  |

## 10.6 10-bit A/D converter (ADC)

### 10.6.1 Introduction

The on-chip analog-to-digital converter (ADC) peripheral is a 10-bit, successive approximation converter with internal sample and hold circuitry. This peripheral has up to 16 multiplexed analog input channels (refer to device pin out description) that allow the peripheral to convert the analog voltage levels from up to 16 different sources.

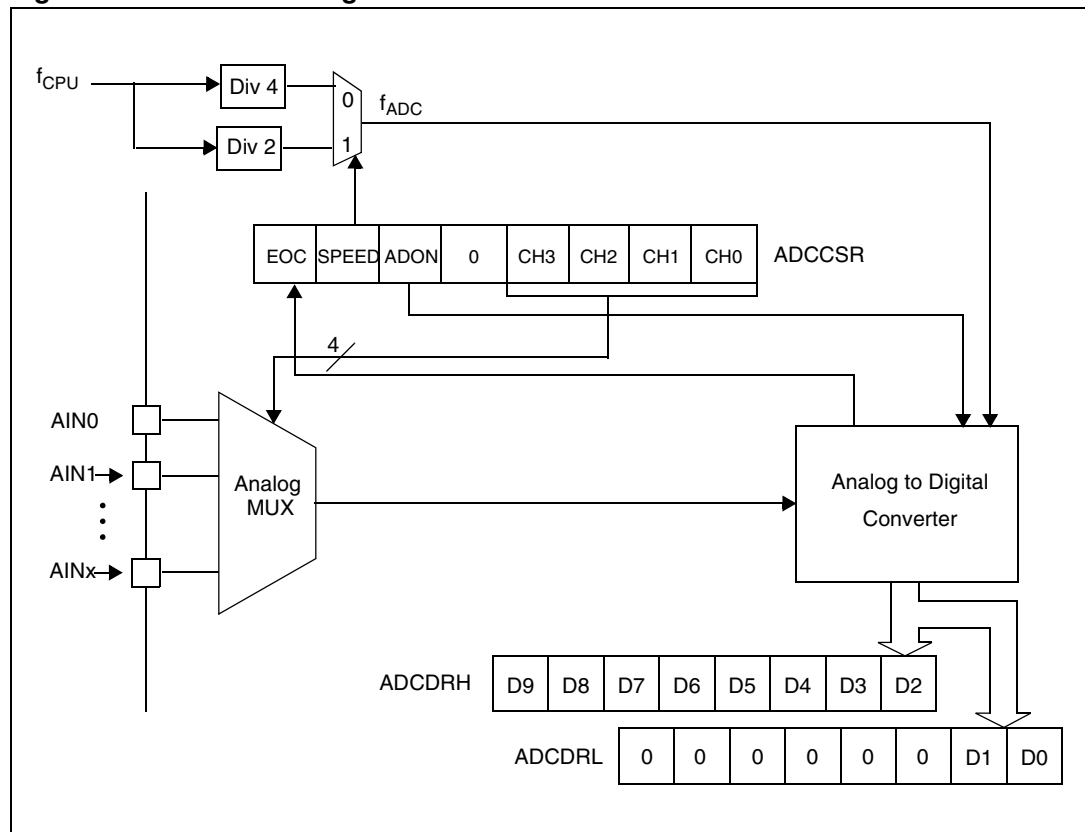
The result of the conversion is stored in a 10-bit Data Register. The A/D converter is controlled through a Control/Status Register.

### 10.6.2 Main features

- 10-bit conversion
- Up to 16 channels with multiplexed input
- Linear successive approximation
- Data register (DR) which contains the results
- Conversion complete status flag
- On/off bit (to reduce consumption)

The block diagram is shown in [Figure 59](#).

**Figure 59. ADC block diagram**



### 10.6.3 Functional description

The conversion is monotonic, meaning that the result never decreases if the analog input does not increase.

If the input voltage ( $V_{AIN}$ ) is greater than  $V_{AREF}$  (high-level voltage reference) then the conversion result is FFh in the ADCDRH register and 03h in the ADCDRL register (without overflow indication).

If the input voltage ( $V_{AIN}$ ) is lower than  $V_{SSA}$  (low-level voltage reference) then the conversion result in the ADCDRH and ADCDRL registers is 00 00h.

The A/D converter is linear and the digital result of the conversion is stored in the ADCDRH and ADCDRL registers. The accuracy of the conversion is described in the Electrical Characteristics Section.

$R_{AIN}$  is the maximum recommended impedance for an analog input signal. If the impedance is too high, this will result in a loss of accuracy due to leakage and sampling not being completed in the allotted time.

#### A/D converter configuration

The analog input ports must be configured as input, no pull-up, no interrupt. Refer to [Section 9: I/O ports](#). Using these pins as analog inputs does not affect the ability of the port to be read as a logic input.

In the ADCCSR register:

Select the CS[3:0] bits to assign the analog channel to convert.

#### Starting the conversion

In the ADCCSR register:

Set the ADON bit to enable the A/D converter and to start the conversion. From this time on, the ADC performs a continuous conversion of the selected channel.

When a conversion is complete:

- the EOC bit is set by hardware
- the result is in the ADCDR registers

A read to the ADCDRH resets the EOC bit.

To read the 10 bits, perform the following steps:

1. Poll the EOC bit.
2. Read the ADCDRL register
3. Read the ADCDRH register. This clears EOC automatically.

*Note:* The data is not latched, so both the low and the high data register must be read before the next conversion is complete. Therefore, it is recommended to disable interrupts while reading the conversion result.

To read only 8 bits, perform the following steps:

1. Poll the EOC bit.
2. Read the ADCDRH register. This clears EOC automatically.

### Changing the conversion channel

The application can change channels during conversion. When software modifies the CH[3:0] bits in the ADCCSR register, the current conversion is stopped, the EOC bit is cleared, and the A/D converter starts converting the newly selected channel.

#### 10.6.4 Low power modes

*Note:* The A/D converter may be disabled by resetting the ADON bit. This feature allows reduced power consumption when no conversion is needed.

**Table 70. Effect of low power modes on ADC**

| Mode | Description   |
|------|---|
| Wait | No effect on A/D converter  |
| Halt | A/D converter disabled.<br>After wake-up from Halt mode, the A/D converter requires a stabilization time $t_{STAB}$ (see <a href="#">Section 12: Electrical characteristics</a> ) before accurate conversions can be performed. |

#### 10.6.5 Interrupts

None.

#### 10.6.6 ADC registers

##### ADC Control/Status Register (ADCCSR)

|        |                              |      |          |         |   |   |   |
|--------|------------------------------|------|----------|---------|---|---|---|
| ADCCSR | Reset value: 0000 0000 (00h) |      |          |         |   |   |   |
| 7      | 6                            | 5    | 4        | 3       | 2 | 1 | 0 |
| EOC    | SPEED                        | ADON | Reserved | CH[3:0] |   |   |   |
| RO     | R/W                          | RW   | -        | RW      |   |   |   |

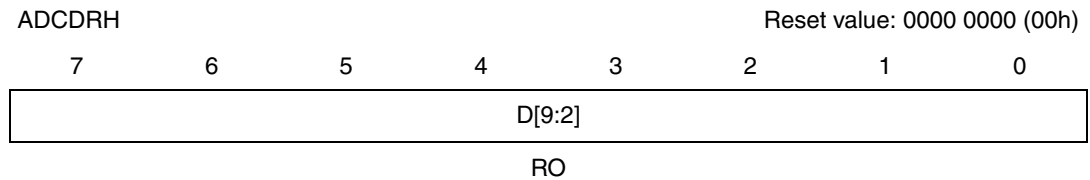
**Table 71. ADCCSR register description**

| Bit | Name  | Function  |
|-----|-------|---|
| 7   | EOC   | End of Conversion<br>This bit is set by hardware. It is cleared by hardware when software reads the ADCDRH register or writes to any bit of the ADCCSR register.<br>0: Conversion is not complete<br>1: Conversion complete |
| 6   | SPEED | ADC clock selection<br>This bit is set and cleared by software.<br>0: $f_{ADC} = f_{CPU}/4$<br>1: $f_{ADC} = f_{CPU}/2$   |

**Table 71. ADCCSR register description**

| Bit | Name    | Function   |
|-----|---------|--|
| 5   | ADON    | A/D Converter on<br>This bit is set and cleared by software.<br>0: Disable ADC and stop conversion<br>1: Enable ADC and start conversion   |
| 4   | -       | Reserved, must be kept cleared.  |
| 3:0 | CH[3:0] | Channel selection<br>These bits are set and cleared by software. They select the analog input to convert.<br>0000: Channel pin = AIN0<br>0001: Channel pin = AIN1<br>0010: Channel pin = AIN2<br>0011: Channel pin = AIN3<br>0100: Channel pin = AIN4<br>0101: Channel pin = AIN5<br>0110: Channel pin = AIN6<br>0111: Channel pin = AIN7<br>1000: Channel pin = AIN8<br>1001: Channel pin = AIN9<br>1010: Channel pin = AIN10<br>1011: Channel pin = AIN11<br>1100: Channel pin = AIN12<br>1101: Channel pin = AIN13<br>1110: Channel pin = AIN14<br>1111: Channel pin = AIN15<br><i>Note: The number of channels is device dependent. Refer to <a href="#">Section 2: Pin description</a>.</i> |

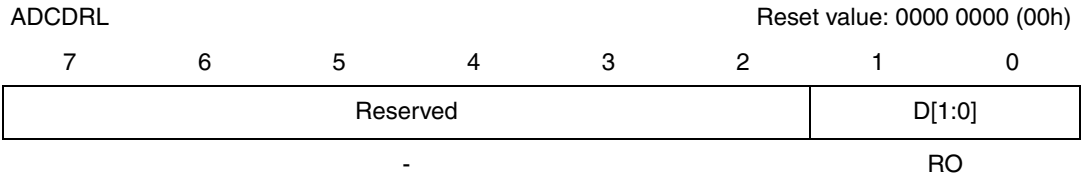
**ADC Data Register High (ADCDRH)**



**Table 72. ADCDRH register description**

| Bit | Name   | Function                      |
|-----|--------|-------------------------------|
| 7:0 | D[9:2] | MSB of Converted Analog Value |

**ADC Data Register Low (ADCDRL)**



**Table 73. ADCDRL register description**

| Bit | Name   | Function                           |
|-----|--------|------------------------------------|
| 7:2 | -      | Reserved. Forced by hardware to 0. |
| 1:0 | D[1:0] | LSB of Converted Analog Value      |

**Table 74. ADC register map and reset values**

| Address (Hex.) | Register label        | 7        | 6          | 5         | 4       | 3        | 2        | 1        | 0        |
|----------------|-----------------------|----------|------------|-----------|---------|----------|----------|----------|----------|
| 0070h          | ADCCSR<br>Reset value | EOC<br>0 | SPEED<br>0 | ADON<br>0 | 0       | CH3<br>0 | CH2<br>0 | CH1<br>0 | CH0<br>0 |
| 0071h          | ADCDRH<br>Reset value | D9<br>0  | D8<br>0    | D7<br>0   | D6<br>0 | D5<br>0  | D4<br>0  | D3<br>0  | D2<br>0  |
| 0072h          | ADCDRL<br>Reset value | 0        | 0          | 0         | 0       | 0        | 0        | D1<br>0  | D0<br>0  |

# 11 Instruction set

## 11.1 CPU addressing modes

The CPU features 17 different addressing modes which can be classified in 7 main groups (see [Table 75](#)).

**Table 75. Addressing mode groups**

| Addressing mode | Example         |
|-----------------|-----------------|
| Inherent        | nop             |
| Immediate       | ld A,#\$55      |
| Direct          | ld A,\$55       |
| Indexed         | ld A,(\$55,X)   |
| Indirect        | ld A,([\$55],X) |
| Relative        | jrne loop       |
| Bit operation   | bset byte,#5    |

The CPU Instruction Set is designed to minimize the number of bytes required per instruction: To do so, most of the addressing modes may be divided in two submodes called long and short:

- Long addressing mode is more powerful because it can use the full 64 Kbyte address space, however it uses more bytes and more CPU cycles.
- Short addressing mode is less powerful because it can generally only access page zero (0000h - 00FFh range), but the instruction size is more compact, and faster. All memory to memory instructions use short addressing modes only (CLR, CPL, NEG, BSET, BRES, BTJT, BTJF, INC, DEC, RLC, RRC, SLL, SRL, SRA, SWAP)

The ST7 Assembler optimizes the use of long and short addressing modes.

**Table 76. CPU addressing mode overview**

| Mode      |          | Syntax      | Destination     | Pointer address (Hex.) | Pointer size (Hex.) | Length (bytes) |     |
|-----------|----------|-------------|-----------------|------------------------|---------------------|----------------|-----|
| Inherent  |          | nop         |                 |                        |                     | + 0            |     |
| Immediate |          | ld A,#\$55  |                 |                        |                     | + 1            |     |
| Short     | Direct   | ld A,\$10   | 00..FF          |                        |                     | + 1            |     |
| Long      | Direct   | ld A,\$1000 | 0000..FFFF      |                        |                     | + 2            |     |
| No offset | Direct   | Indexed     | ld A,(X)        | 00..FF                 |                     | + 0            |     |
| Short     | Direct   | Indexed     | ld A,(\$10,X)   | 00..1FE                |                     | + 1            |     |
| Long      | Direct   | Indexed     | ld A,(\$1000,X) | 0000..FFFF             |                     | + 2            |     |
| Short     | Indirect |             | ld A,[\$10]     | 00..FF                 | 00..FF              | byte           | + 2 |
| Long      | Indirect |             | ld A,[\$10.w]   | 0000..FFFF             | 00..FF              | word           | + 2 |
| Short     | Indirect | Indexed     | ld A,([\$10],X) | 00..1FE                | 00..FF              | byte           | + 2 |





**Table 76. CPU addressing mode overview (continued)**

|          |          |          |                     |            |        |      |     |
|----------|----------|----------|---------------------|------------|--------|------|-----|
| Long     | Indirect | Indexed  | ld A,([\$10.w],X)   | 0000..FFFF | 00..FF | word | + 2 |
| Relative | Direct   |          | jrne loop           | PC+/-127   |        |      | + 1 |
| Relative | Indirect |          | jrne [\$10]         | PC+/-127   | 00..FF | byte | + 2 |
| Bit      | Direct   |          | bset \$10,#7        | 00..FF     |        |      | + 1 |
| Bit      | Indirect |          | bset [\$10],#7      | 00..FF     | 00..FF | byte | + 2 |
| Bit      | Direct   | Relative | btjt \$10,#7,skip   | 00..FF     |        |      | + 2 |
| Bit      | Indirect | Relative | btjt [\$10],#7,skip | 00..FF     | 00..FF | byte | + 3 |

### 11.1.1 Inherent

All Inherent instructions consist of a single byte. The opcode fully specifies all the required information for the CPU to process the operation.

**Table 77. Inherent instructions**

| Instruction             | Function                            |
|-------------------------|-------------------------------------|
| NOP                     | No Operation                        |
| TRAP                    | S/W Interrupt                       |
| WFI                     | Wait for Interrupt (low power mode) |
| HALT                    | Halt oscillator (lowest power mode) |
| RET                     | Sub-routine Return                  |
| IRET                    | Interrupt sub-routine Return        |
| SIM                     | Set Interrupt Mask (level 3)        |
| RIM                     | Reset Interrupt Mask (level 0)      |
| SCF                     | Set Carry Flag                      |
| RCF                     | Reset Carry Flag                    |
| RSP                     | Reset Stack Pointer                 |
| LD                      | Load                                |
| CLR                     | Clear                               |
| PUSH/POP                | Push/Pop to/from the stack          |
| INC/DEC                 | Increment/Decrement                 |
| TNZ                     | Test Negative or Zero               |
| CPL, NEG                | 1 or 2 Complement                   |
| MUL                     | Byte Multiplication                 |
| SLL, SRL, SRA, RLC, RRC | Shift and Rotate operations         |
| SWAP                    | Swap nibbles                        |

### 11.1.2 Immediate

Immediate instructions have two bytes: The first byte contains the opcode and the second byte contains the operand value.

**Table 78. Immediate instructions**

| Instruction        | Function              |
|--------------------|-----------------------|
| LD                 | Load                  |
| CP                 | Compare               |
| BCP                | Bit Compare           |
| AND, OR, XOR       | Logical operations    |
| ADC, ADD, SUB, SBC | Arithmetic operations |

### 11.1.3 Direct

In Direct instructions, the operands are referenced by their memory address. The direct addressing mode consists of two submodes:

#### Direct (short)

The address is a byte, thus requiring only one byte after the opcode, but only allows 00 - FF addressing space.

#### Direct (long)

The address is a word, thus allowing 64 Kbyte addressing space, but requires 2 bytes after the opcode.

### 11.1.4 Indexed (no offset, short, long)

In this mode, the operand is referenced by its memory address, which is defined by the unsigned addition of an index register (X or Y) with an offset.

The indexed addressing mode consists of three submodes:

#### Indexed (no offset)

There is no offset, (no extra byte after the opcode), and it allows 00 - FF addressing space.

#### Indexed (short)

The offset is a byte, thus requiring only one byte after the opcode and allows 00 - 1FE addressing space.

#### Indexed (long)

The offset is a word, thus allowing 64 Kbyte addressing space and requires 2 bytes after the opcode.

### 11.1.5 Indirect (short, long)

The required data byte to do the operation is found by its memory address, located in memory (pointer).

The pointer address follows the opcode. The indirect addressing mode consists of two submodes:

#### Indirect (short)

The pointer address is a byte, the pointer size is a byte, thus allowing 00 - FF addressing space, and requires 1 byte after the opcode.

#### Indirect (long)

The pointer address is a byte, the pointer size is a word, thus allowing 64 Kbyte addressing space, and requires 1 byte after the opcode.

### 11.1.6 Indirect indexed (short, long)

This is a combination of indirect and short indexed addressing modes. The operand is referenced by its memory address, which is defined by the unsigned addition of an index register value (X or Y) with a pointer value located in memory. The pointer address follows the opcode.

The indirect indexed addressing mode consists of two submodes:

#### Indirect indexed (short)

The pointer address is a byte, the pointer size is a byte, thus allowing 00 - 1FE addressing space, and requires 1 byte after the opcode.

#### Indirect indexed (long)

The pointer address is a byte, the pointer size is a word, thus allowing 64 Kbyte addressing space, and requires 1 byte after the opcode.

**Table 79. Instructions supporting direct, indexed, indirect and indirect indexed addressing modes**

|                | Instructions       | Function                                     |
|----------------|--------------------|--|
| Long and short | LD                 | Load   |
|                | CP                 | Compare                                      |
|                | AND, OR, XOR       | Logical operations                           |
|                | ADC, ADD, SUB, SBC | Arithmetic Additions/Subtractions operations |
|                | BCP                | Bit Compare                                  |

**Table 79. Instructions supporting direct, indexed, indirect and indirect indexed addressing modes**

| Instructions |                          | Function                     |
|--------------|--------------------------|------------------------------|
| Short only   | CLR                      | Clear                        |
|              | INC, DEC                 | Increment/Decrement          |
|              | TNZ                      | Test Negative or Zero        |
|              | CPL, NEG                 | 1 or 2 Complement            |
|              | BSET, BRES               | Bit operations               |
|              | BTJT, BTJF               | Bit Test and Jump operations |
|              | SLL, SRL, SRA, RLC, RRC  | Shift and Rotate operations  |
|              | SWAP                     | Swap nibbles                 |
| CALL, JP     | Call or Jump sub-routine |                              |

### 11.1.7 Relative mode (direct, indirect)

This addressing mode is used to modify the PC register value, by adding an 8-bit signed offset to it.

**Table 80. Relative direct and indirect instructions and functions**

| Available relative direct/indirect instructions | Function         |
|---|------------------|
| JRxx  | Conditional Jump |
| CALLR   | Call Relative    |

The relative addressing mode consists of two submodes:

#### Relative (direct)

The offset follows the opcode.

#### Relative (indirect)

The offset is defined in the memory, the address of which follows the opcode.

## 11.2 Instruction groups

The ST7 family devices use an Instruction Set consisting of 63 instructions. The instructions may be subdivided into 13 main groups as illustrated in the following table:

**Table 81. Instruction groups**

| Group               | Instructions |     |     |  |  |  |  |  |
|---------------------|--------------|-----|-----|--|--|--|--|--|
| Load and Transfer   | LD           | CLR |     |  |  |  |  |  |
| Stack operation     | PUSH         | POP | RSP |  |  |  |  |  |
| Increment/Decrement | INC          | DEC |     |  |  |  |  |  |

**Table 81. Instruction groups (continued)**

| Group                            | Instructions |      |      |      |      |       |     |     |
|----------------------------------|--------------|------|------|------|------|-------|-----|-----|
| Compare and Tests                | CP           | TNZ  | BCP  |      |      |       |     |     |
| Logical operations               | AND          | OR   | XOR  | CPL  | NEG  |       |     |     |
| Bit operation                    | BSET         | BRES |      |      |      |       |     |     |
| Conditional Bit Test and Branch  | BTJT         | BTJF |      |      |      |       |     |     |
| Arithmetic operations            | ADC          | ADD  | SUB  | SBC  | MUL  |       |     |     |
| Shift and Rotates                | SLL          | SRL  | SRA  | RLC  | RRC  | SWAP  | SLA |     |
| Unconditional Jump or Call       | JRA          | JRT  | JRF  | JP   | CALL | CALLR | NOP | RET |
| Conditional Branch               | JRxx         |      |      |      |      |       |     |     |
| Interruption management          | TRAP         | WFI  | HALT | IRET |      |       |     |     |
| Condition Code Flag modification | SIM          | RIM  | SCF  | RCF  |      |       |     |     |

### Using a prebyte

The instructions are described with one to four opcodes.

In order to extend the number of available opcodes for an 8-bit CPU (256 opcodes), three different prebyte opcodes are defined. These prebytes modify the meaning of the instruction they precede.

The whole instruction becomes:

|      |   |
|------|---|
| PC-2 | End of previous instruction   |
| PC-1 | Prebyte   |
| PC   | Opcode  |
| PC+1 | Additional word (0 to 2) according to the number of bytes required to compute the effective address |

These prebytes enable the instruction in Y as well as indirect addressing modes to be implemented. They precede the opcode of the instruction in X or the instruction using direct addressing mode. The prebytes are:

|        |   |
|--------|---|
| PDY 90 | Replace an X based instruction using immediate, direct, indexed, or inherent addressing mode by a Y one.  |
| PIX 92 | Replace an instruction using direct, direct bit, or direct relative addressing mode to an instruction using the corresponding indirect addressing mode.<br>It also changes an instruction using X indexed addressing mode to an instruction using indirect X indexed addressing mode. |
| PIY 91 | Replace an instruction using X indirect indexed addressing mode by a Y one.   |

Table 82. Instruction set overview

| Mnemo | Description               | Function/example    | Dst    | Src | I1 | H | I0 | N | Z | C |
|-------|---------------------------|---------------------|--------|-----|----|---|----|---|---|---|
| ADC   | Add with Carry            | A = A + M + C       | A      | M   |    | H |    | N | Z | C |
| ADD   | Addition                  | A = A + M           | A      | M   |    | H |    | N | Z | C |
| AND   | Logical And               | A = A . M           | A      | M   |    |   |    | N | Z |   |
| BCP   | Bit compare A, memory     | tst (A . M)         | A      | M   |    |   |    | N | Z |   |
| BRES  | Bit reset                 | bres Byte, #3       | M      |     |    |   |    |   |   |   |
| BSET  | Bit set                   | bset Byte, #3       | M      |     |    |   |    |   |   |   |
| BTJF  | Jump if bit is false (0)  | btjf Byte, #3, Jmp1 | M      |     |    |   |    |   |   | C |
| BTJT  | Jump if bit is true (1)   | btjt Byte, #3, Jmp1 | M      |     |    |   |    |   |   | C |
| CALL  | Call sub-routine          |                     |        |     |    |   |    |   |   |   |
| CALLR | Call sub-routine relative |                     |        |     |    |   |    |   |   |   |
| CLR   | Clear                     |                     | reg, M |     |    |   |    | 0 | 1 |   |
| CP    | Arithmetic Compare        | tst(Reg - M)        | reg    | M   |    |   |    | N | Z | C |
| CPL   | One Complement            | A = FFH-A           | reg, M |     |    |   |    | N | Z | 1 |
| DEC   | Decrement                 | dec Y               | reg, M |     |    |   |    | N | Z |   |
| HALT  | Halt                      |                     |        |     | 1  |   | 0  |   |   |   |
| IRET  | Interrupt routine return  | Pop CC, A, X, PC    |        |     | I1 | H | I0 | N | Z | C |
| INC   | Increment                 | inc X               | reg, M |     |    |   |    | N | Z |   |
| JP    | Absolute Jump             | jp [TBL.w]          |        |     |    |   |    |   |   |   |
| JRA   | Jump relative always      |                     |        |     |    |   |    |   |   |   |
| JRT   | Jump relative             |                     |        |     |    |   |    |   |   |   |
| JRF   | Never jump                | jrf *               |        |     |    |   |    |   |   |   |
| JRIH  | Jump if ext. INT pin = 1  | (ext. INT pin high) |        |     |    |   |    |   |   |   |
| JRIL  | Jump if ext. INT pin = 0  | (ext. INT pin low)  |        |     |    |   |    |   |   |   |
| JRH   | Jump if H = 1             | H = 1 ?             |        |     |    |   |    |   |   |   |
| JRNH  | Jump if H = 0             | H = 0 ?             |        |     |    |   |    |   |   |   |
| JRM   | Jump if I1:0 = 11         | I1:0 = 11 ?         |        |     |    |   |    |   |   |   |
| JRNM  | Jump if I1:0 <> 11        | I1:0 <> 11 ?        |        |     |    |   |    |   |   |   |
| JRMI  | Jump if N = 1 (minus)     | N = 1 ?             |        |     |    |   |    |   |   |   |
| JRPL  | Jump if N = 0 (plus)      | N = 0 ?             |        |     |    |   |    |   |   |   |
| JREQ  | Jump if Z = 1 (equal)     | Z = 1 ?             |        |     |    |   |    |   |   |   |
| JRNE  | Jump if Z = 0 (not equal) | Z = 0 ?             |        |     |    |   |    |   |   |   |
| JRC   | Jump if C = 1             | C = 1 ?             |        |     |    |   |    |   |   |   |
| JRNC  | Jump if C = 0             | C = 0 ?             |        |     |    |   |    |   |   |   |
| JRULT | Jump if C = 1             | Unsigned <          |        |     |    |   |    |   |   |   |
| JRUGE | Jump if C = 0             | Jmp if unsigned >=  |        |     |    |   |    |   |   |   |



**Table 82. Instruction set overview (continued)**

| Mnemo | Description            | Function/example    | Dst     | Src     | I1 | H | I0 | N | Z | C |
|-------|------------------------|---------------------|---------|---------|----|---|----|---|---|---|
| JRUGT | Jump if (C + Z = 0)    | Unsigned >          |         |         |    |   |    |   |   |   |
| JRULE | Jump if (C + Z = 1)    | Unsigned <=         |         |         |    |   |    |   |   |   |
| LD    | Load                   | dst <= src          | reg, M  | M, reg  |    |   |    | N | Z |   |
| MUL   | Multiply               | X,A = X * A         | A, X, Y | X, Y, A |    | 0 |    |   |   | 0 |
| NEG   | Negate (2's compl)     | neg \$10            | reg, M  |         |    |   |    | N | Z | C |
| NOP   | No Operation           |                     |         |         |    |   |    |   |   |   |
| OR    | OR operation           | A = A + M           | A       | M       |    |   |    | N | Z |   |
| POP   | Pop from the Stack     | pop reg             | reg     | M       |    |   |    |   |   |   |
|       |                        | pop CC              | CC      | M       | I1 | H | I0 | N | Z | C |
| PUSH  | Push onto the Stack    | push Y              | M       | reg, CC |    |   |    |   |   |   |
| RCF   | Reset carry flag       | C = 0               |         |         |    |   |    |   |   | 0 |
| RIM   | Enable Interrupts      | I1:0 = 10 (level 0) |         |         | 1  |   | 0  |   |   |   |
| RLC   | Rotate Left true C     | C <= A <= C         | reg, M  |         |    |   |    | N | Z | C |
| RRC   | Rotate Right true C    | C => A => C         | reg, M  |         |    |   |    | N | Z | C |
| RSP   | Reset Stack Pointer    | S = Max allowed     |         |         |    |   |    |   |   |   |
| SBC   | Subtract with Carry    | A = A - M - C       | A       | M       |    |   |    | N | Z | C |
| SCF   | Set CARRY FLAG         | C = 1               |         |         |    |   |    |   |   | 1 |
| SIM   | Disable Interrupts     | I1:0 = 11 (level 3) |         |         | 1  |   | 1  |   |   |   |
| SLA   | Shift Left Arithmetic  | C <= A <= 0         | reg, M  |         |    |   |    | N | Z | C |
| SLL   | Shift Left Logic       | C <= A <= 0         | reg, M  |         |    |   |    | N | Z | C |
| SRL   | Shift Right Logic      | 0 => A => C         | reg, M  |         |    |   |    | 0 | Z | C |
| SRA   | Shift Right Arithmetic | A7 => A => C        | reg, M  |         |    |   |    | N | Z | C |
| SUB   | Subtraction            | A = A - M           | A       | M       |    |   |    | N | Z | C |
| SWAP  | SWAP nibbles           | A7-A4 <=> A3-A0     | reg, M  |         |    |   |    | N | Z |   |
| TNZ   | Test for Neg and Zero  | tnz  bl1            |         |         |    |   |    | N | Z |   |
| TRAP  | S/W TRAP               | S/W interrupt       |         |         | 1  |   | 1  |   |   |   |
| WFI   | WAIT for Interrupt     |                     |         |         | 1  |   | 0  |   |   |   |
| XOR   | Exclusive OR           | A = A XOR M         | A       | M       |    |   |    | N | Z |   |



## 12 Electrical characteristics

### 12.1 Parameter conditions

Unless otherwise specified, all voltages are referred to  $V_{SS}$ .

#### 12.1.1 Minimum and maximum values

Unless otherwise specified the minimum and maximum values are guaranteed in the worst conditions of ambient temperature, supply voltage and frequencies by tests in production on 100% of the devices with an ambient temperature at  $T_A = 25^\circ\text{C}$  and  $T_A = T_{A\text{max}}$  (given by the selected temperature range).

Data based on characterization results, design simulation and/or technology characteristics are indicated in the table footnotes and are not tested in production. Based on characterization, the minimum and maximum values refer to sample tests and represent the mean value plus or minus three times the standard deviation ( $\text{mean} \pm 3\Sigma$ ).

#### 12.1.2 Typical values

Unless otherwise specified, typical data are based on  $T_A = 25^\circ\text{C}$ ,  $V_{DD} = 5\text{V}$ . They are given only as design guidelines and are not tested.

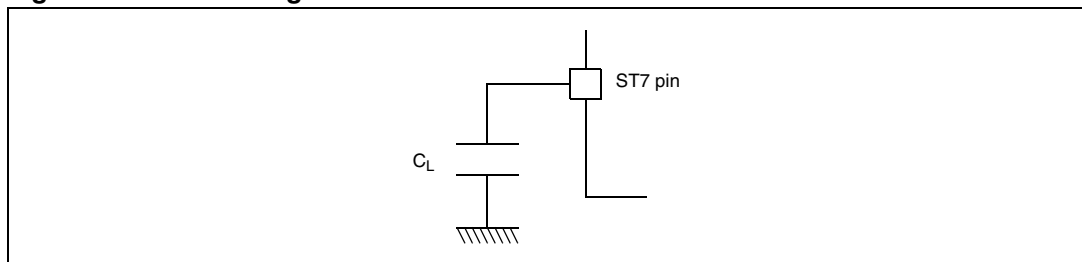
#### 12.1.3 Typical curves

Unless otherwise specified, all typical curves are given only as design guidelines and are not tested.

#### 12.1.4 Loading capacitor

The loading conditions used for pin parameter measurement are shown in [Figure 60](#).

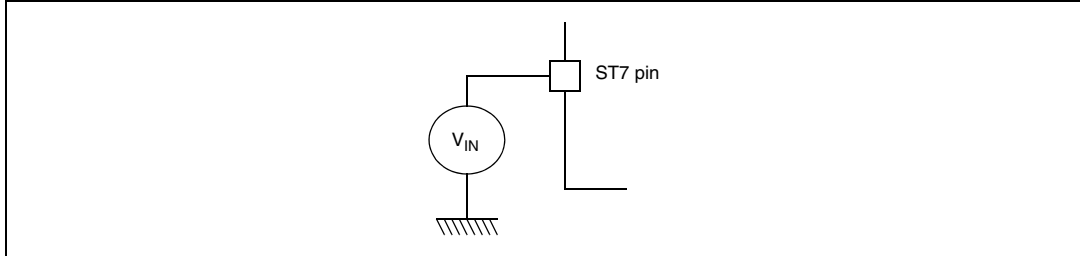
**Figure 60. Pin loading conditions**



### 12.1.5 Pin input voltage

The input voltage measurement on a pin of the device is described in [Figure 61](#).

**Figure 61. Pin input voltage**



## 12.2 Absolute maximum ratings

Stresses above those listed as “absolute maximum ratings” may cause permanent damage to the device. This is a stress rating only and functional operation of the device under these conditions is not implied. Exposure to maximum rating conditions for extended periods may affect device reliability.

### 12.2.1 Voltage characteristics

**Table 83. Voltage characteristics**

| Symbol                                    | Ratings  | Maximum value                                  | Unit |
|---|--|--|------|
| $V_{DD} - V_{SS}$                         | Supply voltage                                     | 6.5  | V    |
| $V_{PP} - V_{SS}$                         | Programming voltage                                | 13   |      |
| $V_{IN}^{(1)(2)}$                         | Input voltage on true open drain pin               | $V_{SS} - 0.3$ to $6.5$                        |      |
|   | Input voltage on any other pin                     | $V_{SS} - 0.3$ to $V_{DD} + 0.3$               |      |
| $ \Delta V_{DDx} $ and $ \Delta V_{SSx} $ | Variations between different digital power pins    | 50   | mV   |
| $ V_{SSA} - V_{SSx} $                     | Variations between digital and analog ground pins  | 50   |      |
| $V_{ESD(HBM)}$                            | Electrostatic discharge voltage (human body model) | see <a href="#">Section 12.8.3 on page 160</a> |      |
| $V_{ESD(MM)}$                             | Electrostatic discharge voltage (machine model)    |  |      |

1. Directly connecting the  $\overline{RESET}$  and I/O pins to  $V_{DD}$  or  $V_{SS}$  could damage the device if an unintentional internal reset is generated or an unexpected change of the I/O configuration occurs (for example, due to a corrupted program counter). To guarantee safe operation, this connection has to be done through a pull-up or pull-down resistor (typical:  $4.7k\Omega$  for  $\overline{RESET}$ ,  $10k\Omega$  for I/Os). For the same reason, unused I/O pins must not be directly tied to  $V_{DD}$  or  $V_{SS}$ .
2.  $I_{INJ(PIN)}$  must never be exceeded. This is implicitly ensured if  $V_{IN}$  maximum is respected. If  $V_{IN}$  maximum cannot be respected, the injection current must be limited externally to the  $I_{INJ(PIN)}$  value. A positive injection is induced by  $V_{IN} > V_{DD}$  while a negative injection is induced by  $V_{IN} < V_{SS}$ . For true open-drain pads, there is no positive injection current, and the corresponding  $V_{IN}$  maximum must always be respected.

## 12.2.2 Current characteristics

**Table 84. Current characteristics**

| Symbol                      | Ratings   | Max value      | Unit |
|-----------------------------|---|----------------|------|
| $I_{VDD}$                   | Total current into $V_{DD}$ power lines (source) <sup>(1)</sup>         | 32-pin devices | 75   |
|                             |   | 44-pin devices | 150  |
| $I_{VSS}$                   | Total current out of $V_{SS}$ ground lines (sink) <sup>(1)</sup>        | 32-pin devices | 75   |
|                             |   | 44-pin devices | 150  |
| $I_{IO}$                    | Output current sunk by any standard I/O and control pin                 | 20             | mA   |
|                             | Output current sunk by any high sink I/O pin                            | 40             |      |
|                             | Output current source by any I/Os and control pin                       | - 25           |      |
| $I_{INJ(PIN)}^{(2)(3)}$     | Injected current on $V_{PP}$ pin  | $\pm 5$        |      |
|                             | Injected current on $\overline{RESET}$ pin                              | $\pm 5$        |      |
|                             | Injected current on OSC1 and OSC2 pins                                  | $\pm 5$        |      |
|                             | Injected current on ROM and 32 Kbyte Flash devices PB0 pin              | $\pm 5$        |      |
|                             | Injected current on 8/16 Kbyte Flash devices PB0 pin                    | + 5            |      |
|                             | Injected current on any other pin <sup>(4)(5)</sup>                     | $\pm 5$        |      |
| $\Sigma I_{INJ(PIN)}^{(2)}$ | Total injected current (sum of all I/O and control pins) <sup>(4)</sup> | $\pm 25$       |      |

- All power ( $V_{DD}$ ) and ground ( $V_{SS}$ ) lines must always be connected to the external supply.
- $I_{INJ(PIN)}$  must never be exceeded. This is implicitly insured if  $V_{IN}$  maximum is respected. If  $V_{IN}$  maximum cannot be respected, the injection current must be limited externally to the  $I_{INJ(PIN)}$  value. A positive injection is induced by  $V_{IN} > V_{DD}$  while a negative injection is induced by  $V_{IN} < V_{SS}$ . For true open-drain pads, there is no positive injection current, and the corresponding  $V_{IN}$  maximum must always be respected.
- Negative injection degrades the analog performance of the device. See note in [Section 12.13.3: ADC accuracy on page 174](#). If the current injection limits given in [Section Table 105.: General characteristics on page 162](#) are exceeded, general device malfunction may result.
- When several inputs are submitted to a current injection, the maximum  $\Sigma I_{INJ(PIN)}$  is the absolute sum of the positive and negative injected currents (instantaneous values). These results are based on characterization with  $\Sigma I_{INJ(PIN)}$  maximum current injection on four I/O port pins of the device.
- True open drain I/O port pins do not accept positive injection.

## 12.2.3 Thermal characteristics

**Table 85. Thermal characteristics**

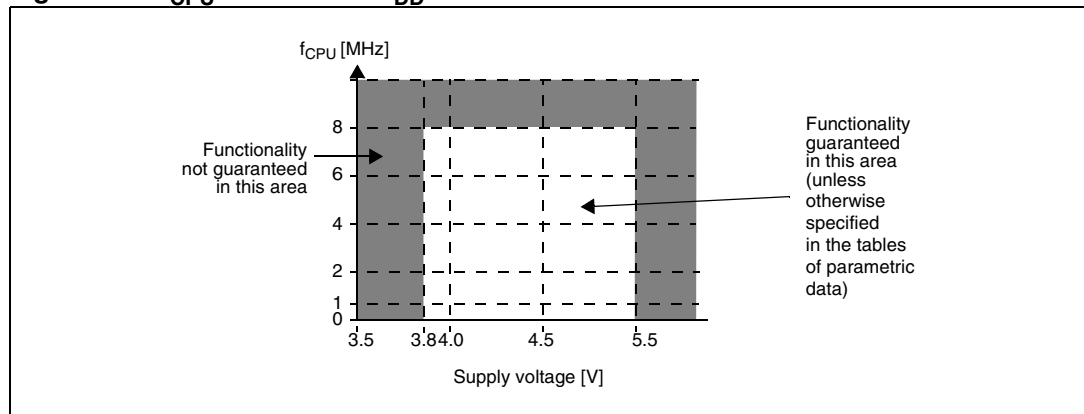
| Symbol    | Ratings   | Value       | Unit |
|-----------|---|-------------|------|
| $T_{STG}$ | Storage temperature range   | -65 to +150 | °C   |
| $T_J$     | Maximum junction temperature (see <a href="#">Section 13.3: Thermal characteristics</a> ) |             |      |

### 12.3 Operating conditions

**Table 86. Operating conditions**

| Symbol    | Parameter                                    | Conditions                 | Min | Max | Unit |
|-----------|--|----------------------------|-----|-----|------|
| $f_{CPU}$ | Internal clock frequency                     |                            | 0   | 8   | MHz  |
| $V_{DD}$  | Operating voltage (except Flash Write/Erase) |                            | 3.8 | 5.5 | V    |
|           | Operating Voltage for Flash Write/Erase      | $V_{PP} = 11.4$ to $12.6V$ | 4.5 | 5.5 |      |
| $T_A$     | Ambient temperature range                    | A-suffix versions          | -40 | 85  | °C   |
|           |  | B-suffix versions          |     | 105 |      |
|           |  | C-suffix version           |     | 125 |      |
|           |  | D-suffix version           |     | 150 |      |

**Figure 62.  $f_{CPU}$  max versus  $V_{DD}$**



*Note:* Some temperature ranges are only available with a specific package and memory size. Refer to [Section 14: Device configuration and ordering information](#).

---

**Warning:** Do not connect 12V to  $V_{PP}$  before  $V_{DD}$  is powered on, as this may damage the device.

---

## 12.4 LVD/AVD characteristics

### 12.4.1 Operating conditions with LVD

Subject to general operating conditions for  $T_A$ .

**Table 87. Operating conditions with LVD**

| Symbol         | Parameter  | Conditions                                    | Min                 | Typ  | Max                 | Unit |
|----------------|--|---|---------------------|------|---------------------|------|
| $V_{IT+(LVD)}$ | Reset release threshold ( $V_{DD}$ rise)         | VD level = high in option byte                | 4.0 <sup>(1)</sup>  | 4.2  | 4.5                 | V    |
|                |  | VD level = med. in option byte <sup>(2)</sup> | 3.55 <sup>(1)</sup> | 3.75 | 4.0 <sup>(1)</sup>  |      |
|                |  | VD level = low in option byte <sup>(2)</sup>  | 2.95 <sup>(1)</sup> | 3.15 | 3.35 <sup>(1)</sup> |      |
| $V_{IT-(LVD)}$ | Reset generation threshold ( $V_{DD}$ fall)      | VD level = high in option byte                | 3.8                 | 4.0  | 4.25 <sup>(1)</sup> | V    |
|                |  | VD level = med. in option byte <sup>(2)</sup> | 3.35 <sup>(1)</sup> | 3.55 | 3.75 <sup>(1)</sup> |      |
|                |  | VD level = low in option byte <sup>(2)</sup>  | 2.8 <sup>(1)</sup>  | 3.0  | 3.15 <sup>(1)</sup> |      |
| $V_{hys(LVD)}$ | LVD voltage threshold hysteresis <sup>(1)</sup>  | $V_{IT+(LVD)} - V_{IT-(LVD)}$                 | 150                 | 200  | 250                 | mV   |
| $V_{tPOR}$     | $V_{DD}$ rise time <sup>(1)</sup>                | Flash devices                                 | 6 $\mu$ s/V         |      | 100ms/V             |      |
|                |  | 8/16K ROM devices                             |                     |      | 20ms/V              |      |
|                |  | 32K ROM devices                               |                     |      | $\infty$ ms/V       |      |
| $t_g(V_{DD})$  | Filtered glitch delay on $V_{DD}$ <sup>(1)</sup> | Not detected by the LVD                       |                     |      | 40                  | ns   |

1. Data based on characterization results, tested in production for ROM devices only.

2. If the medium or low thresholds are selected, the detection may occur outside the specified operating voltage range.

### 12.4.2 Auxiliary voltage detector (AVD) thresholds

Subject to general operating conditions for  $T_A$ .

**Table 88. AVD thresholds**

| Symbol           | Parameter   | Conditions                     | Min                 | Typ  | Max                 | Unit |
|------------------|---|--------------------------------|---------------------|------|---------------------|------|
| $V_{IT+(AVD)}$   | 1 $\Rightarrow$ 0 AVDF flag toggle threshold ( $V_{DD}$ rise) | VD level = high in option byte | 4.4 <sup>(1)</sup>  | 4.6  | 4.9                 | V    |
|                  |   | VD level = med. in option byte | 3.95 <sup>(1)</sup> | 4.15 | 4.4 <sup>(1)</sup>  |      |
|                  |   | VD level = low in option byte  | 3.4 <sup>(1)</sup>  | 3.6  | 3.8 <sup>(1)</sup>  |      |
| $V_{IT-(AVD)}$   | 0 $\Rightarrow$ 1 AVDF flag toggle threshold ( $V_{DD}$ fall) | VD level = high in option byte | 4.2                 | 4.4  | 4.65 <sup>(1)</sup> | V    |
|                  |   | VD level = med. in option byte | 3.75 <sup>(1)</sup> | 4.0  | 4.2 <sup>(1)</sup>  |      |
|                  |   | VD level = low in option byte  | 3.2 <sup>(1)</sup>  | 3.4  | 3.6 <sup>(1)</sup>  |      |
| $V_{hys(AVD)}$   | AVD voltage threshold hysteresis                              | $V_{IT+(AVD)} - V_{IT-(AVD)}$  |                     | 200  |                     | mV   |
| $\Delta V_{IT-}$ | Voltage drop between AVD flag set and LVD reset activated     | $V_{IT-(AVD)} - V_{IT-(LVD)}$  |                     | 450  |                     |      |

1. Data based on characterization results, tested in production for ROM devices only.

## 12.5 Supply current characteristics

The following current consumption specified for the ST7 functional operating modes over temperature range does not take into account the clock source current consumption. To obtain the total device consumption, the two current values must be added (except for Halt mode for which the clock is stopped).

### 12.5.1 ROM current consumption

Table 89. ROM current consumption

| Symbol          | Parameter   | Conditions   | 32K ROM devices              |                            | 16K/8K ROM devices           |                           | Unit |
|-----------------|---|--|------------------------------|----------------------------|------------------------------|---------------------------|------|
|                 |   |  | Typ                          | Max <sup>(1)</sup>         | Typ                          | Max <sup>(1)</sup>        |      |
| I <sub>DD</sub> | Supply current in Run mode <sup>(2)</sup>         | f <sub>OSC</sub> = 2 MHz, f <sub>CPU</sub> = 1 MHz<br>f <sub>OSC</sub> = 4 MHz, f <sub>CPU</sub> = 2 MHz<br>f <sub>OSC</sub> = 8 MHz, f <sub>CPU</sub> = 4 MHz<br>f <sub>OSC</sub> = 16 MHz, f <sub>CPU</sub> = 8 MHz          | 0.55<br>1.10<br>2.20<br>4.38 | 0.87<br>1.75<br>3.5<br>7.0 | 0.46<br>0.93<br>1.9<br>3.7   | 0.69<br>1.4<br>2.7<br>5.5 | mA   |
|                 | Supply current in Slow mode <sup>(2)</sup>        | f <sub>OSC</sub> = 2 MHz, f <sub>CPU</sub> = 62.5 kHz<br>f <sub>OSC</sub> = 4 MHz, f <sub>CPU</sub> = 125 kHz<br>f <sub>OSC</sub> = 8 MHz, f <sub>CPU</sub> = 250 kHz<br>f <sub>OSC</sub> = 16 MHz, f <sub>CPU</sub> = 500 kHz | 53<br>100<br>194<br>380      | 87<br>175<br>350<br>700    | 30<br>70<br>150<br>310       | 60<br>120<br>250<br>500   | μA   |
|                 | Supply current in Wait mode <sup>(2)</sup>        | f <sub>OSC</sub> = 2 MHz, f <sub>CPU</sub> = 1 MHz<br>f <sub>OSC</sub> = 4 MHz, f <sub>CPU</sub> = 2 MHz<br>f <sub>OSC</sub> = 8 MHz, f <sub>CPU</sub> = 4 MHz<br>f <sub>OSC</sub> = 16 MHz, f <sub>CPU</sub> = 8 MHz          | 0.31<br>0.61<br>1.22<br>2.44 | 0.5<br>1.0<br>2.0<br>4.0   | 0.22<br>0.45<br>0.91<br>1.82 | 0.37<br>0.75<br>1.5<br>3  | mA   |
|                 | Supply current in Slow Wait mode <sup>(2)</sup>   | f <sub>OSC</sub> = 2 MHz, f <sub>CPU</sub> = 62.5 kHz<br>f <sub>OSC</sub> = 4 MHz, f <sub>CPU</sub> = 125 kHz<br>f <sub>OSC</sub> = 8 MHz, f <sub>CPU</sub> = 250 kHz<br>f <sub>OSC</sub> = 16 MHz, f <sub>CPU</sub> = 500 kHz | 36<br>69<br>133<br>260       | 63<br>125<br>250<br>500    | 20<br>40<br>90<br>190        | 40<br>90<br>180<br>350    | μA   |
|                 | Supply current in Halt mode <sup>(3)</sup>        | -40°C ≤ T <sub>A</sub> ≤ +85°C   | <1                           | 10                         | <1                           | 10                        |      |
|                 |   | -40°C ≤ T <sub>A</sub> ≤ +125°C  | <1                           | 50                         | <1                           | 50                        |      |
|                 | Supply current in Active Halt mode <sup>(4)</sup> | f <sub>OSC</sub> = 2 MHz<br>f <sub>OSC</sub> = 4 MHz<br>f <sub>OSC</sub> = 8 MHz<br>f <sub>OSC</sub> = 16 MHz  | 15<br>28<br>55<br>107        | 20<br>38<br>75<br>200      | 11<br>22<br>43<br>85         | 15<br>30<br>60<br>150     |      |

1. Data based on characterization results, tested in production at V<sub>DD</sub> max. and f<sub>CPU</sub> max.
2. Measurements are done in the following conditions:
  - Program executed from RAM, CPU running with RAM access. The increase in consumption when executing from Flash is 50%.
  - All I/O pins in input mode with a static value at V<sub>DD</sub> or V<sub>SS</sub> (no load)
  - All peripherals in reset state
  - LVD disabled.
  - Clock input (OSC1) driven by external square wave
  - In Slow and Slow Wait modes, f<sub>CPU</sub> is based on f<sub>OSC</sub> divided by 32
 To obtain the total current consumption of the device, add the clock source ([Section 12.6.3](#)) and the peripheral power consumption ([Section 12.5.4](#)).
3. All I/O pins in push-pull 0 mode (when applicable) with a static value at V<sub>DD</sub> or V<sub>SS</sub> (no load), LVD disabled. Data based on characterization results, tested in production at V<sub>DD</sub> max. and f<sub>CPU</sub> max.
4. Data based on characterization results, not tested in production. All I/O pins in push-pull 0 mode (when applicable) with a static value at V<sub>DD</sub> or V<sub>SS</sub> (no load); clock input (OSC1) driven by external square wave, LVD disabled. To obtain the total current consumption of the device, add the clock source consumption ([Section 12.6.3](#)).

## 12.5.2 Flash current consumption

Table 90. Flash current consumption

| Symbol  | Parameter   | Conditions  | 32K Flash |                    | 16/8K Flash |                    | Unit |
|---|---|---|-----------|--------------------|-------------|--------------------|------|
|   |   |   | Typ       | Max <sup>(1)</sup> | Typ         | Max <sup>(1)</sup> |      |
| I <sub>DD</sub>                                       | Supply current in Run mode <sup>(2)</sup>             | f <sub>OSC</sub> = 2 MHz, f <sub>CPU</sub> = 1 MHz    | 1.3       | 3.0                | 1           | 2.3                | mA   |
|   |   | f <sub>OSC</sub> = 4 MHz, f <sub>CPU</sub> = 2 MHz    | 2.0       | 5.0                | 1.4         | 3.5                |      |
|   |   | f <sub>OSC</sub> = 8 MHz, f <sub>CPU</sub> = 4 MHz    | 3.6       | 8.0                | 2.4         | 5.3                |      |
|   |   | f <sub>OSC</sub> = 16 MHz, f <sub>CPU</sub> = 8 MHz   | 7.1       | 15.0               | 4.4         | 7.0                |      |
|   | Supply current in Slow mode <sup>(2)</sup>            | f <sub>OSC</sub> = 2 MHz, f <sub>CPU</sub> = 62.5 kHz | 0.6       | 2.7                | 0.48        | 1                  |      |
|   |   | f <sub>OSC</sub> = 4 MHz, f <sub>CPU</sub> = 125 kHz  | 0.7       | 3.0                | 0.53        | 1.1                |      |
| f <sub>OSC</sub> = 8 MHz, f <sub>CPU</sub> = 250 kHz  |   | 0.8   | 3.6       | 0.63               | 1.2         |                    |      |
| f <sub>OSC</sub> = 16 MHz, f <sub>CPU</sub> = 500 kHz |   | 1.1   | 4.0       | 0.80               | 1.4         |                    |      |
| Supply current in Wait mode <sup>(2)</sup>            | f <sub>OSC</sub> = 2 MHz, f <sub>CPU</sub> = 1 MHz    | 0.8   | 3.0       | 0.6                | 1.8         |                    |      |
|   | f <sub>OSC</sub> = 4 MHz, f <sub>CPU</sub> = 2 MHz    | 1.2   | 4.0       | 0.9                | 2.2         |                    |      |
|   | f <sub>OSC</sub> = 8 MHz, f <sub>CPU</sub> = 4 MHz    | 2.0   | 5.0       | 1.3                | 2.6         |                    |      |
|   | f <sub>OSC</sub> = 16 MHz, f <sub>CPU</sub> = 8 MHz   | 3.5   | 7.0       | 2.3                | 3.6         |                    |      |
| Supply current in Slow Wait mode <sup>(2)</sup>       | f <sub>OSC</sub> = 2 MHz, f <sub>CPU</sub> = 62.5 kHz | 580   | 1200      | 430                | 950         | μA                 |      |
|   | f <sub>OSC</sub> = 4 MHz, f <sub>CPU</sub> = 125 kHz  | 650   | 1300      | 470                | 1000        |                    |      |
|   | f <sub>OSC</sub> = 8 MHz, f <sub>CPU</sub> = 250 kHz  | 770   | 1800      | 530                | 1050        |                    |      |
|   | f <sub>OSC</sub> = 16 MHz, f <sub>CPU</sub> = 500 kHz | 1050  | 2000      | 660                | 1200        |                    |      |
| Supply current in Halt mode <sup>(3)</sup>            | -40°C ≤ T <sub>A</sub> ≤ +85°C                        | <1  | 10        | <1                 | 10          |                    |      |
|   | -40°C ≤ T <sub>A</sub> ≤ +125°C                       | 5   | 50        | <1                 | 50          |                    |      |
| Supply current in Active Halt mode <sup>(4)</sup>     | f <sub>OSC</sub> = 2 MHz                              | 365   | 475       | 315                | 425         |                    |      |
|   | f <sub>OSC</sub> = 4 MHz                              | 380   | 500       | 330                | 450         |                    |      |
|   | f <sub>OSC</sub> = 8 MHz                              | 410   | 550       | 360                | 500         |                    |      |
|   | f <sub>OSC</sub> = 16 MHz                             | 500   | 650       | 460                | 600         |                    |      |

- Data based on characterization results, tested in production at V<sub>DD</sub> max. and f<sub>CPU</sub> max.
- Measurements are done in the following conditions:
  - Program executed from RAM, CPU running with RAM access. The increase in consumption when executing from Flash is 50%.
  - All I/O pins in input mode with a static value at V<sub>DD</sub> or V<sub>SS</sub> (no load)
  - All peripherals in reset state
  - LVD disabled
  - Clock input (OSC1) driven by external square wave
  - In Slow and Slow Wait modes, f<sub>CPU</sub> is based on f<sub>OSC</sub> divided by 32
  - To obtain the total current consumption of the device, add the clock source ([Section 12.6.3](#)) and the peripheral power consumption ([Section 12.5.4](#)).
- All I/O pins in push-pull 0 mode (when applicable) with a static value at V<sub>DD</sub> or V<sub>SS</sub> (no load), LVD disabled. Data based on characterization results, tested in production at V<sub>DD</sub> max. and f<sub>CPU</sub> max.
- Data based on characterization results, not tested in production. All I/O pins in push-pull 0 mode (when applicable) with a static value at V<sub>DD</sub> or V<sub>SS</sub> (no load); clock input (OSC1) driven by external square wave, LVD disabled. To obtain the total current consumption of the device, add the clock source consumption ([Section 12.6.3](#)).

### 12.5.3 Supply and clock managers

The previous current consumption specified for the ST7 functional operating modes over temperature range does not take into account the clock source current consumption. To obtain the total device consumption, the two current values must be added (except for Halt mode).

**Table 91. Oscillators, PLL and LVD current consumption**

| Symbol          | Parameter  | Conditions           | Typ  | Max | Unit          |
|-----------------|--|----------------------|--|-----|---------------|
| $I_{DD(RCINT)}$ | Supply current of internal RC oscillator                 |                      | 625  |     | $\mu\text{A}$ |
| $I_{DD(RES)}$   | Supply current of resonator oscillator <sup>(1)(2)</sup> |                      | see <a href="#">Section 12.6.3 on page 154</a> |     |               |
| $I_{DD(PLL)}$   | PLL supply current                                       | $V_{DD} = 5\text{V}$ | 360  |     |               |
| $I_{DD(LVD)}$   | LVD supply current                                       |                      | 150  | 300 |               |

1. Data based on characterization results done with the external components specified in [Section 12.6.3](#), not tested in production.
2. As the oscillator is based on a current source, the consumption does not depend on the voltage.

### 12.5.4 On-chip peripherals

**Table 92. On-chip peripherals current consumption**

| Symbol        | Parameter   | Conditions   | Typ | Unit          |
|---------------|---|--|-----|---------------|
| $I_{DD(TIM)}$ | 16-bit timer supply current <sup>(1)</sup>        | $T_A = 25^\circ\text{C}$ , $f_{CPU} = 4\text{ MHz}$ , $V_{DD} = 5.0\text{V}$ | 50  | $\mu\text{A}$ |
| $I_{DD(SPI)}$ | SPI supply current <sup>(2)</sup>                 |  | 400 |               |
| $I_{DD(SCI)}$ | SCI supply current <sup>(3)</sup>                 |  |     |               |
| $I_{DD(ADC)}$ | ADC supply current when converting <sup>(4)</sup> |  |     |               |

1. Data based on a differential  $I_{DD}$  measurement between reset configuration (timer counter running at  $f_{CPU}/4$ ) and timer counter stopped (only TIMD bit set). Data valid for one timer.
2. Data based on a differential  $I_{DD}$  measurement between reset configuration (SPI disabled) and a permanent SPI master communication at maximum speed (data sent equal to 55h). This measurement includes the pad toggling consumption.
3. Data based on a differential  $I_{DD}$  measurement between SCI low power state (SCID = 1) and a permanent SCI data transmit sequence.
4. Data based on a differential  $I_{DD}$  measurement between reset configuration and continuous A/D conversions.



## 12.6 Clock and timing characteristics

Subject to general operating conditions for  $V_{DD}$ ,  $f_{CPU}$ , and  $T_A$ .

### 12.6.1 General timings

**Table 93. General timings**

| Symbol        | Parameter   | Conditions                | Min  | Typ <sup>(1)</sup> | Max  | Unit          |
|---------------|---|---------------------------|------|--------------------|------|---------------|
| $t_{c(INST)}$ | Instruction cycle time  |                           | 2    | 3                  | 12   | $t_{CPU}$     |
|               |   | $f_{CPU} = 8 \text{ MHz}$ | 250  | 375                | 1500 | ns            |
| $t_{v(IT)}$   | Interrupt reaction time $t_{v(IT)} = \Delta t_{c(INST)} + 10^{(2)}$ |                           | 10   |                    | 22   | $t_{CPU}$     |
|               |   | $f_{CPU} = 8 \text{ MHz}$ | 1.25 |                    | 2.75 | $\mu\text{s}$ |

1. Data based on typical application software.
2. Time measured between interrupt event and interrupt vector fetch.  $\Delta t_{c(INST)}$  is the number of  $t_{CPU}$  cycles needed to finish the current instruction execution.

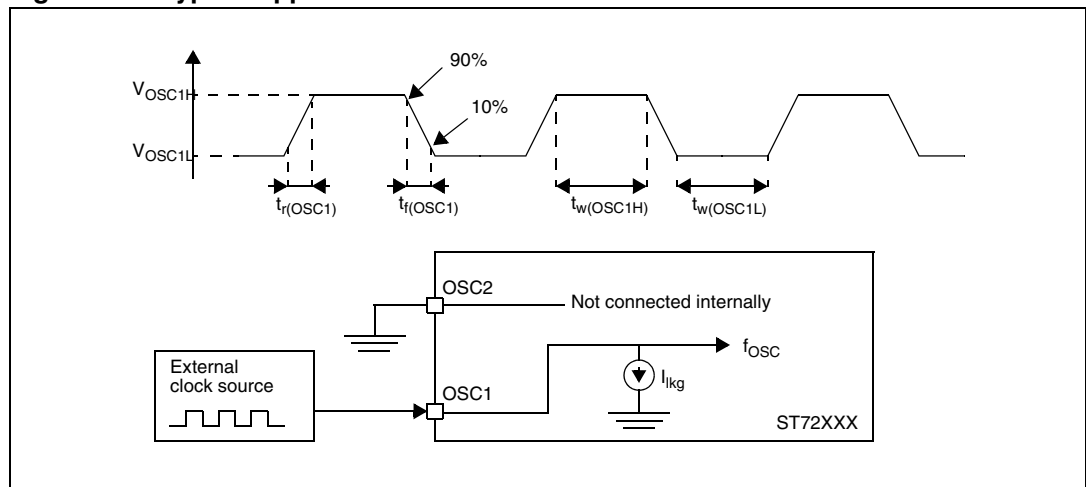
### 12.6.2 External clock source

**Table 94. External clock source**

| Symbol                           | Parameter                             | Conditions                      | Min                              | Typ | Max        | Unit    |
|----------------------------------|---------------------------------------|---------------------------------|----------------------------------|-----|------------|---------|
| $V_{OSC1H}$                      | OSC1 input pin high level voltage     | See <a href="#">Figure 63</a> . | $V_{DD}-1$                       |     | $V_{DD}$   | V       |
| $V_{OSC1L}$                      | OSC1 input pin low level voltage      |                                 | $V_{SS}$                         |     | $V_{SS}+1$ |         |
| $t_{w(OSC1H)}$<br>$t_{w(OSC1L)}$ | OSC1 high or low time <sup>(1)</sup>  |                                 | 5                                |     |            | ns      |
| $t_{r(OSC1)}$<br>$t_{f(OSC1)}$   | OSC1 rise or fall time <sup>(1)</sup> |                                 |                                  |     | 15         |         |
| $I_{lkg}$                        | OSC1 input leakage current            |                                 | $V_{SS} \leq V_{IN} \leq V_{DD}$ |     |            | $\pm 1$ |

1. Data based on design simulation and/or technology characteristics, not tested in production.

**Figure 63. Typical application with an external clock source**



### 12.6.3 Crystal and ceramic resonator oscillators

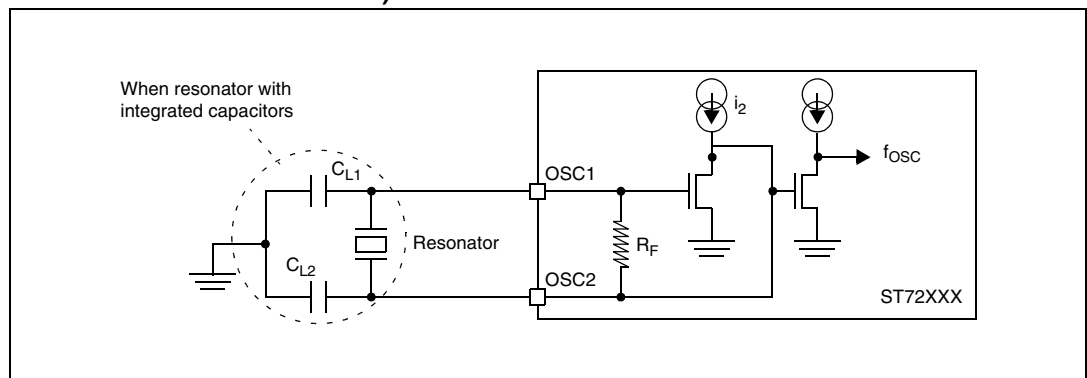
The ST7 internal clock can be supplied with four different crystal/ceramic resonator oscillators. All the information given in this paragraph are based on characterization results with specified typical external components. In the application, the resonator and the load capacitors have to be placed as close as possible to the oscillator pins in order to minimize output distortion and start-up stabilization time. Refer to the crystal/ceramic resonator manufacturer for more details (frequency, package, accuracy...).

**Table 95. Crystal and ceramic resonator oscillators**

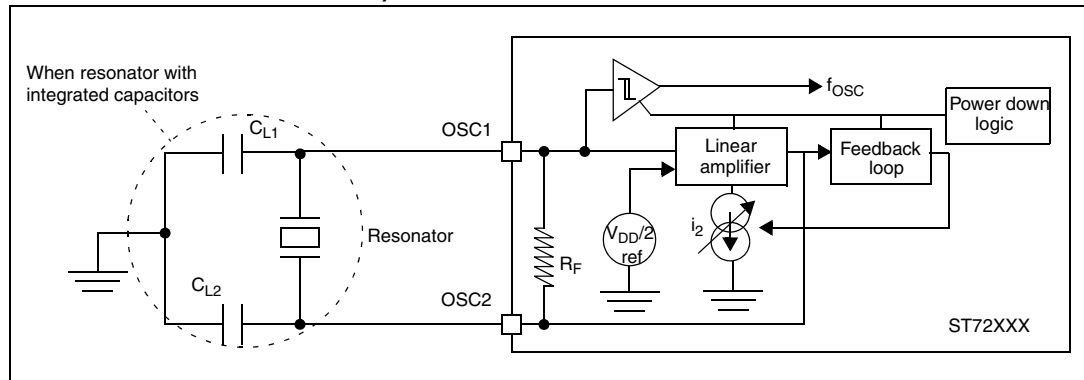
| Symbol               | Parameter   | Conditions   | Min                  | Typ                     | Max                      | Unit       |
|----------------------|---|--|----------------------|-------------------------|--------------------------|------------|
| $f_{OSC}$            | Oscillator frequency <sup>(1)</sup>   | LP: low power oscillator<br>MP: medium power oscillator<br>MS: medium speed oscillator<br>HS: high speed oscillator                      | 1<br>>2<br>>4<br>>8  |                         | 2<br>4<br>8<br>16        | MHz        |
| $R_F$                | Feedback resistor <sup>(2)</sup>  |  | 20                   |                         | 40                       | k $\Omega$ |
| $C_{L1}$<br>$C_{L2}$ | Recommended load capacitance versus equivalent serial resistance of the crystal or ceramic resonator ( $R_S$ ) <sup>(3)</sup> | $R_S = 200\Omega$ LP oscillator<br>$R_S = 200\Omega$ MP oscillator<br>$R_S = 200\Omega$ MS oscillator<br>$R_S = 100\Omega$ HS oscillator | 22<br>22<br>18<br>15 |                         | 56<br>46<br>33<br>33     | pF         |
| $i_2$                | OSC2 driving current  | $V_{DD} = 5V, V_{IN} = V_{SS}$<br>LP oscillator<br>MP oscillator<br>MS oscillator<br>HS oscillator                                       |                      | 80<br>160<br>310<br>610 | 150<br>250<br>460<br>910 | $\mu A$    |

1. The oscillator selection can be optimized in terms of supply current using an high quality resonator with small  $R_S$  value. Refer to crystal/ceramic resonator manufacturer for more details.
2. Data based on characterization results, not tested in production. The relatively low value of the  $R_F$  resistor, offers a good protection against issues resulting from use in a humid environment, due to the induced leakage and the bias condition change. However, it is recommended to take this point into account if the microcontroller is used in tough humidity conditions.
3. For  $C_{L1}$  and  $C_{L2}$  it is recommended to use high-quality ceramic capacitors in the 5pF to 25pF range (typ.) designed for high-frequency applications and selected to match the requirements of the crystal or resonator.  $C_{L1}$  and  $C_{L2}$ , are usually the same size. The crystal manufacturer typically specifies a load capacitance which is the series combination of  $C_{L1}$  and  $C_{L2}$ . PCB and MCU pin capacitance must be included when sizing  $C_{L1}$  and  $C_{L2}$  (10 pF can be used as a rough estimate of the combined pin and board capacitance).

**Figure 64. Typical application with a crystal or ceramic resonator (8/16 Kbyte Flash and ROM devices)**



**Figure 65. Typical application with a crystal or ceramic resonator (32 Kbyte Flash and ROM devices)**



**Table 96. OSCRANGE selection for typical resonators**

| Supplier | f <sub>osc</sub> (MHz) | Typical ceramic resonators <sup>(1)</sup> |   |
|----------|------------------------|---|---|
|          |                        | Reference                                 | Recommended OSCRANGE option bit configuration |
| Murata   | 2                      | CSTCC2M00G56A-R0                          | MP mode <sup>(2)</sup>                        |
|          | 4                      | CSTCR4M00G55B-R0                          | MS mode                                       |
|          | 8                      | CSTCE8M00G52A-R0                          | HS mode                                       |
|          | 16                     | CSTCE16M0V51A-R0                          | HS mode                                       |

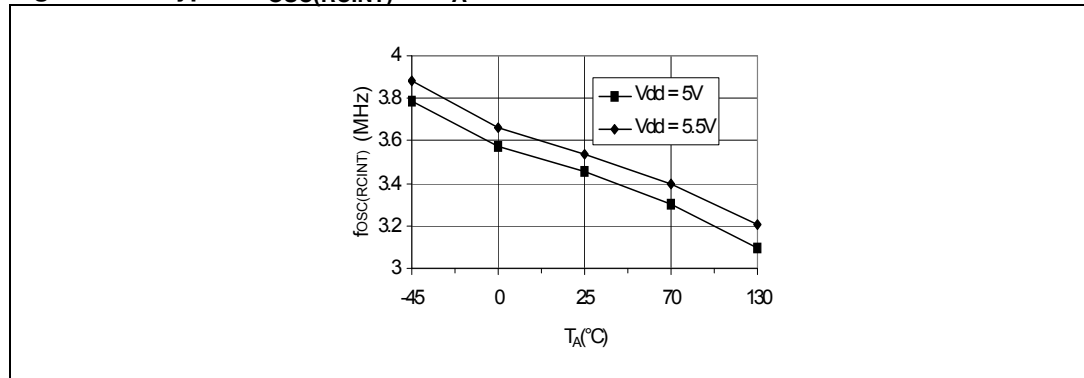
1. Resonator characteristics given by the ceramic resonator manufacturer.
2. LP mode is not recommended for 2 MHz resonator because the peak to peak amplitude is too small (>0.8V). For more information on these resonators, please consult [www.murata.com](http://www.murata.com).

### 12.6.4 RC oscillators

**Table 97. RC oscillators**

| Symbol                   | Parameter   | Conditions                                  | Min | Typ | Max | Unit |
|--------------------------|---|---|-----|-----|-----|------|
| f <sub>OSC (RCINT)</sub> | Internal RC oscillator frequency (see <a href="#">Figure 66</a> ) | T <sub>A</sub> = 25°C, V <sub>DD</sub> = 5V | 2   | 3.5 | 5.6 | MHz  |

**Figure 66. Typical f<sub>OSC(RCINT)</sub> vs T<sub>A</sub>**



Note: To reduce disturbance to the RC oscillator, it is recommended to place decoupling capacitors between  $V_{DD}$  and  $V_{SS}$  as shown in [Figure 85 on page 173](#).

### 12.6.5 PLL characteristics

**Table 98. PLL characteristics**

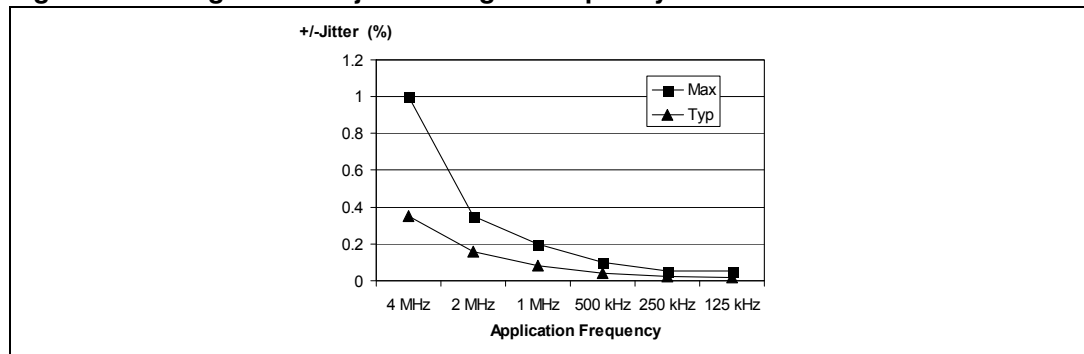
| Symbol                   | Parameter                               | Conditions                | Min | Typ | Max | Unit |
|--------------------------|---|---------------------------|-----|-----|-----|------|
| $f_{OSC}$                | PLL input frequency range               |                           | 2   |     | 4   | MHz  |
| $\Delta f_{CPU}/f_{CPU}$ | Instantaneous PLL jitter <sup>(1)</sup> | $f_{OSC} = 4 \text{ MHz}$ |     | 0.7 | 2   | %    |

1. Data characterized but not tested

The user must take the PLL jitter into account in the application (for example in serial communication or sampling of high frequency signals). The PLL jitter is a periodic effect, which is integrated over several CPU cycles. Therefore the longer the period of the application signal, the less it will be impacted by the PLL jitter.

[Figure 67](#) shows the PLL jitter integrated on application signals in the range 125 kHz to 2 MHz. At frequencies of less than 125 kHz, the jitter is negligible.

**Figure 67. Integrated PLL jitter vs signal frequency<sup>(1)</sup>**



1. Measurement conditions:  $f_{CPU} = 8 \text{ MHz}$

## 12.7 Memory characteristics

### 12.7.1 RAM and hardware registers

**Table 99. RAM and hardware registers**

| Symbol   | Parameter                          | Conditions           | Min | Typ | Max | Unit |
|----------|------------------------------------|----------------------|-----|-----|-----|------|
| $V_{RM}$ | Data retention mode <sup>(1)</sup> | Halt mode (or reset) | 1.6 |     |     | V    |

1. Minimum  $V_{DD}$  supply voltage without losing data stored in RAM (in Halt mode or under reset) or in hardware registers (only in Halt mode). Not tested in production.

## 12.7.2 Flash memory

**Table 100. Dual voltage HDFlash memory**

| Symbol                                  | Parameter                                   | Conditions                    | Min <sup>(1)</sup> | Typ | Max <sup>(1)</sup> | Unit   |
|---|---|-------------------------------|--------------------|-----|--------------------|--------|
| f <sub>CPU</sub>                        | Operating frequency                         | Read mode                     | 0                  |     | 8                  | MHz    |
|   |   | Write/Erase mode              | 1                  |     | 8                  |        |
| V <sub>PP</sub>                         | Programming voltage <sup>(2)</sup>          | 4.5V ≤ V <sub>DD</sub> ≤ 5.5V | 11.4               |     | 12.6               | V      |
| I <sub>DD</sub>                         | Supply current <sup>(3)</sup>               | Write/Erase                   |                    | <10 |                    | μA     |
| I <sub>PP</sub>                         | V <sub>PP</sub> current <sup>(3)</sup>      | Read (V <sub>PP</sub> = 12V)  |                    |     | 200                | μA     |
|   |   | Write/Erase                   |                    |     | 30                 | mA     |
| t <sub>VPP</sub>                        | Internal V <sub>PP</sub> stabilization time |                               |                    | 10  |                    | μs     |
| t <sub>RET</sub>                        | Data retention                              | T <sub>A</sub> = 55°C         | 20                 |     |                    | years  |
| N <sub>RW</sub>                         | Write/Erase cycles                          | T <sub>A</sub> = 85°C         | 100                |     |                    | cycles |
| T <sub>PROG</sub><br>T <sub>ERASE</sub> | Programming or erasing temperature range    |                               | -40                | 25  | 85                 | °C     |

1. Data based on characterization results, not tested in production.
2. V<sub>PP</sub> must be applied only during the programming or erasing operation and not permanently for reliability reasons.
3. Data based on simulation results, not tested in production.

## 12.8 EMC characteristics

Susceptibility tests are performed on a sample basis during product characterization.

### 12.8.1 Functional electromagnetic susceptibility (EMS)

Based on a simple running application on the product (toggling two LEDs through I/O ports), the product is stressed by two electromagnetic events until a failure occurs (indicated by the LEDs).

- **ESD:** Electrostatic discharge (positive and negative) is applied on all pins of the device until a functional disturbance occurs. This test conforms with the IEC 1000-4-2 standard.
- **FTB:** A burst of fast transient voltage (positive and negative) is applied to  $V_{DD}$  and  $V_{SS}$  through a 100pF capacitor, until a functional disturbance occurs. This test conforms with the IEC 1000-4-4 standard.

A device reset allows normal operations to be resumed. The test results given in [Table 101 on page 159](#) are based on the EMS levels and classes defined in application note AN1709.

#### Designing hardened software to avoid noise problems

EMC characterization and optimization are performed at component level with a typical application environment and simplified MCU software. It should be noted that good EMC performance is highly dependent on the user application and the software in particular.

Therefore it is recommended that the user applies EMC software optimization and prequalification tests in relation with the EMC level requested for his application.

#### Software recommendations

The software flowchart must include the management of runaway conditions such as:

- corrupted program counter
- unexpected reset
- critical data corruption (control registers...)

#### Prequalification trials

Most of the common failures (unexpected reset and program counter corruption) can be reproduced by manually forcing a low state on the reset pin or the oscillator pins for 1 second.

To complete these trials, ESD stress can be applied directly on the device, over the range of specification values. When unexpected behavior is detected, the software can be hardened to prevent unrecoverable errors occurring (see application note AN1015).

Table 101. EMS test results

| Symbol            | Parameter  | Conditions  | Level/class |
|-------------------|--|---|-------------|
| V <sub>FESD</sub> | Voltage limits to be applied on any I/O pin to induce a functional disturbance   | 32 Kbyte Flash or ROM device:<br>V <sub>DD</sub> = 5V, T <sub>A</sub> = +25°C, f <sub>OSC</sub> = 8 MHz<br>conforms to IEC 1000-4-2 | 3B          |
|                   |  | 8 or 16 Kbyte ROM device:<br>V <sub>DD</sub> = 5V, T <sub>A</sub> = +25°C, f <sub>OSC</sub> = 8 MHz<br>conforms to IEC 1000-4-2     | 4A          |
|                   |  | 8 or 16 Kbyte Flash device:<br>V <sub>DD</sub> = 5V, T <sub>A</sub> = +25°C, f <sub>OSC</sub> = 8 MHz<br>conforms to IEC 1000-4-2   | 4B          |
| V <sub>FFTB</sub> | Fast transient voltage burst limits to be applied through 100pF on V <sub>DD</sub> and V <sub>DD</sub> pins to induce a functional disturbance | V <sub>DD</sub> = 5V, T <sub>A</sub> = +25°C, f <sub>OSC</sub> = 8 MHz<br>conforms to IEC 1000-4-4                                  | 4A          |

### 12.8.2 Electromagnetic interference (EMI)

Based on a simple application running on the product (toggling two LEDs through the I/O ports), the product is monitored in terms of emission. This emission test is in line with the norm SAE J 1752/3 which specifies the board and the loading of each pin.

Table 102. EMI emissions

| Symbol           | Parameter                 | Conditions   | Device/package <sup>(1)</sup>         | Monitored frequency band | Max vs [f <sub>osc</sub> /f <sub>cpu</sub> ] |          | Unit |
|------------------|---------------------------|--|---------------------------------------|--------------------------|--|----------|------|
|                  |                           |  |                                       |                          | 8/4 MHz                                      | 16/8 MHz |      |
| S <sub>EMI</sub> | Peak level <sup>(2)</sup> | V <sub>DD</sub> = 5V<br>T <sub>A</sub> = +25°C<br>conforming to SAE J 1752/3 | 8/16 Kbyte Flash<br>LQFP32 and LQFP44 | 0.1 MHz to 30 MHz        | 12   | 18       | dBμV |
|                  |                           |  |                                       | 30 MHz to 130 MHz        | 19   | 25       |      |
|                  |                           |  |                                       | 130 MHz to 1 GHz         | 15   | 22       |      |
|                  |                           |  |                                       | SAE EMI Level            | 3  | 3.5      |      |
|                  |                           |  | 32 Kbyte Flash<br>LQFP32 and LQFP44   | 0.1 MHz to 30 MHz        | 13   | 14       | dBμV |
|                  |                           |  |                                       | 30 MHz to 130 MHz        | 20   | 25       |      |
|                  |                           |  |                                       | 130 MHz to 1 GHz         | 16   | 21       |      |
|                  |                           |  |                                       | SAE EMI Level            | 3.0  | 3.5      |      |
|                  |                           |  | 8/16 Kbyte ROM<br>LQFP32 and LQFP44   | 0.1 MHz to 30 MHz        | 12   | 15       | dBμV |
|                  |                           |  |                                       | 30 MHz to 130 MHz        | 23   | 26       |      |
|                  |                           |  |                                       | 130 MHz to 1 GHz         | 15   | 20       |      |
|                  |                           |  |                                       | SAE EMI Level            | 3.0  | 3.5      |      |
|                  |                           |  | 32 Kbyte ROM<br>LQFP32 and LQFP44     | 0.1 MHz to 30 MHz        | 17   | 21       | dBμV |
|                  |                           |  |                                       | 30 MHz to 130 MHz        | 24   | 30       |      |
|                  |                           |  |                                       | 130 MHz to 1 GHz         | 18   | 23       |      |
|                  |                           |  |                                       | SAE EMI Level            | 3.0  | 3.5      |      |

1. Refer to application note AN1709 for data on other package types.

2. Not tested in production.

### 12.8.3 Absolute maximum ratings (electrical sensitivity)

Based on three different tests (ESD, LU and DLU) using specific measurement methods, the product is stressed in order to determine its performance in terms of electrical sensitivity. For more details, refer to the application note AN1181.

#### Electrostatic discharge (ESD)

Electrostatic discharges (a positive then a negative pulse separated by 1 second) are applied to the pins of each sample according to each pin combination. The sample size depends on the number of supply pins in the device (3 parts\*(n+1) supply pin). Two models can be simulated for standard microcontrollers: Human Body Model and Charged Device Model. These tests conform to standards JESD22-A114 and JESD22-C101. There is an additional model for automotive microcontrollers: Machine Model, JESD22-A115.

**Table 103. Absolute maximum ratings**

| Symbol                | Ratings  | Conditions             | Maximum value <sup>(1)</sup> | Unit |
|-----------------------|--|------------------------|------------------------------|------|
| V <sub>ESD(HBM)</sub> | Electrostatic discharge voltage (human body model)     | T <sub>A</sub> = +25°C | 2000                         | V    |
| V <sub>ESD(MM)</sub>  | Electrostatic discharge voltage (machine model)        |                        | 200                          |      |
| V <sub>ESD(CDM)</sub> | Electrostatic discharge voltage (charged device model) |                        | 750                          |      |

1. Data based on characterization results, not tested in production.

#### Static and dynamic Latch-Up

- **LU:** 3 complementary static tests are required on 10 parts to assess the latch-up performance. A supply overvoltage (applied to each power supply pin) and a current injection (applied to each input, output and configurable I/O pin) are performed on each sample. This test conforms to the EIA/JESD 78 IC latch-up standard. For more details, refer to the application note AN1181.
- **DLU:** Electrostatic discharges (one positive then one negative test) are applied to each pin of three samples when the micro is running to assess the latch-up performance in dynamic mode. Power supplies are set to the typical values, the oscillator is connected as near as possible to the pins of the micro and the component is put in reset mode. This test conforms to the IEC1000-4-2 and SAEJ1752/3 standards. For more details, refer to the application note AN1181.



Table 104. Electrical sensitivities

| Symbol | Parameter              | Conditions   | Test specification               | Test result |
|--------|------------------------|--|----------------------------------|-------------|
| LU     | Static latch-up class  | $T_A = +25^\circ\text{C}$<br>$T_A = +85^\circ\text{C}$<br>$T_A = +125^\circ\text{C}$ | EIA/JESD 78                      | Passed      |
| DLU    | Dynamic latch-up class | $V_{DD} = 5.5\text{V}$<br>$f_{OSC} = 4\text{ MHz}$<br>$T_A = +25^\circ\text{C}$      | IEC1000-4-2<br>and<br>SAEJ1752/3 | Passed      |

## 12.9 I/O port pin characteristics

### 12.9.1 General characteristics

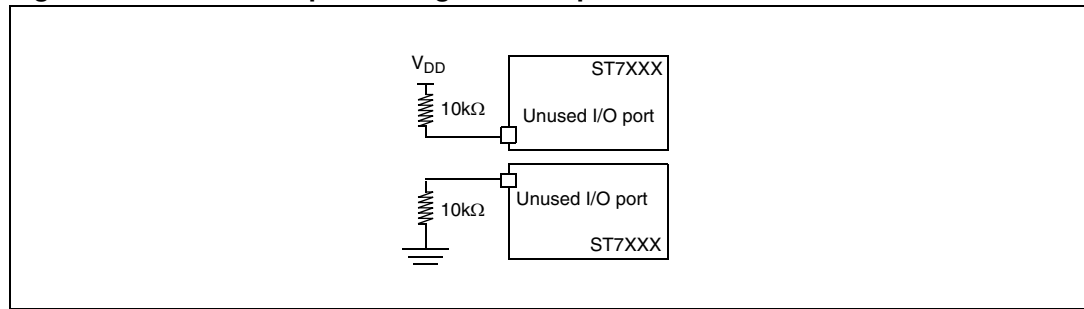
Subject to general operating conditions for  $V_{DD}$ ,  $f_{OSC}$ , and  $T_A$  unless otherwise specified.

**Table 105. General characteristics**

| Symbol                               | Parameter   | Conditions                            | Min                 | Typ | Max                 | Unit             |
|--------------------------------------|---|---------------------------------------|---------------------|-----|---------------------|------------------|
| $V_{IL}$                             | Input low level voltage (standard voltage devices) <sup>(1)</sup> |                                       |                     |     | $0.3 \times V_{DD}$ | V                |
| $V_{IH}$                             | Input high level voltage <sup>(1)</sup>                           |                                       | $0.7 \times V_{DD}$ |     |                     |                  |
| $V_{hys}$                            | Schmitt trigger voltage hysteresis <sup>(2)</sup>                 |                                       |                     | 0.7 |                     |                  |
| $I_{INJ(PIN)}$ <sup>(3)</sup>        | Injected current on I/O pins other than pin PB0 <sup>(4)</sup>    | $V_{DD} = 5V$                         |                     |     | $\pm 4$             | mA               |
|                                      | Injected current on ROM and 32 Kbyte Flash devices pin PB0        |                                       |                     |     |                     |                  |
|                                      | Injected current on 8/16 Kbyte Flash devices pin PB0              |                                       | 0                   |     | +4                  |                  |
| $\Sigma I_{INJ(PIN)}$ <sup>(3)</sup> | Total injected current (sum of all I/O and control pins)          | $V_{DD} = 5V$                         |                     |     | $\pm 25$            | mA               |
| $I_{lkg}$                            | Input leakage current   | $V_{SS} \leq V_{IN} \leq V_{DD}$      |                     |     | $\pm 1$             | $\mu A$          |
| $I_S$                                | Static current consumption induced by each floating input pin     | Floating input mode <sup>(5)(6)</sup> |                     | 200 |                     |                  |
| $R_{PU}$                             | Weak pull-up equivalent resistor <sup>(7)</sup>                   | $V_{IN} = V_{SS}, V_{DD} = 5V$        | 50                  | 120 | 250                 | k $\Omega$       |
| $C_{IO}$                             | I/O pin capacitance   |                                       |                     | 5   |                     | pF               |
| $t_{f(I/O)out}$                      | Output high to low level fall time <sup>(1)</sup>                 | $C_L = 50pF$<br>between 10% and 90%   |                     | 25  |                     | ns               |
| $t_{r(I/O)out}$                      | Output low to high level rise time <sup>(1)</sup>                 |                                       |                     | 25  |                     |                  |
| $t_{w(IT)in}$                        | External interrupt pulse time <sup>(8)</sup>                      |                                       | 1                   |     |                     | t <sub>CPU</sub> |

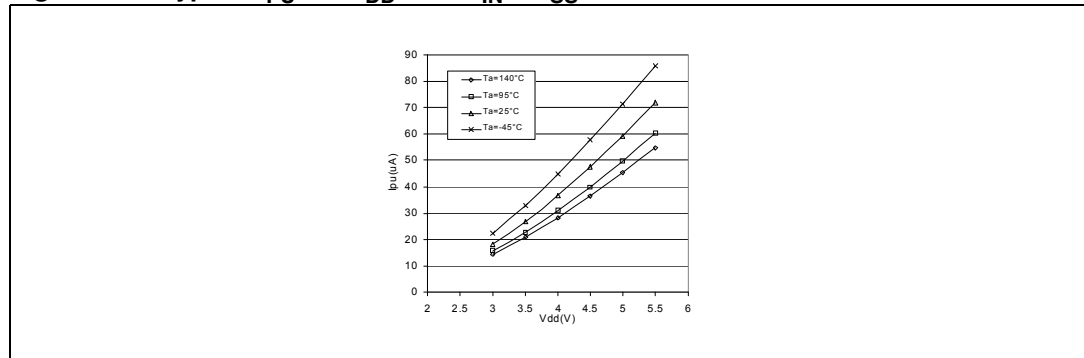
1. Data based on characterization results, not tested in production.
2. Hysteresis voltage between Schmitt trigger switching levels. Based on characterization results, not tested.
3. When the current limitation is not possible, the  $V_{IN}$  maximum must be respected, otherwise refer to the  $I_{INJ(PIN)}$  specification. A positive injection is induced by  $V_{IN} > V_{DD}$  while a negative injection is induced by  $V_{IN} < V_{SS}$ . Refer to [Section 12.2.2 on page 147](#) for more details.
4. No negative current injection allowed on 8/16 Kbyte Flash devices
5. Static peak current value taken at a fixed  $V_{IN}$  value, based on design simulation and technology characteristics, not tested in production. This value depends on  $V_{DD}$  and temperature values.
6. The Schmitt trigger that is connected to every I/O port is disabled for analog inputs only when ADON bit is ON and the particular ADC channel is selected (with port configured in input floating mode). When the ADON bit is OFF, static current consumption may result. This can be avoided by keeping the input voltage of this pin close to  $V_{DD}$  or  $V_{SS}$ .
7. The  $R_{PU}$  pull-up equivalent resistor is based on a resistive transistor (corresponding  $I_{PU}$  current characteristics described in [Figure 69](#)).
8. To generate an external interrupt, a minimum pulse width has to be applied on an I/O port pin configured as an external interrupt source.

Figure 68. Unused I/O pins configured as input<sup>(1)</sup>



1. I/O can be left unconnected if it is configured as output (0 or 1) by the software. This has the advantage of greater EMC robustness and lower cost.

Figure 69. Typical  $I_{PU}$  vs.  $V_{DD}$  with  $V_{IN} = V_{SS}$



### 12.9.2 Output driving current

Subject to general operating conditions for  $V_{DD}$ ,  $f_{CPU}$ , and  $T_A$  unless otherwise specified.

Table 106. Output driving current

| Symbol  | Parameter  | Conditions      | Min   | Max                              | Unit |   |
|---|--|-----------------|---|----------------------------------|------|---|
| $V_{OL}^{(1)}$  | Output low level voltage for a standard I/O pin when 8 pins are sunk at same time (see <a href="#">Figure 70</a> )                           | $V_{DD} = 5V$   | $I_{IO} = +5mA$   |                                  | 1.2  | V |
|   |  |                 | $I_{IO} = +2mA$   |                                  | 0.5  |   |
| Output low level voltage for a high sink I/O pin when 4 pins are sunk at same time (see <a href="#">Figure 71</a> and <a href="#">Figure 73</a> ) | $I_{IO} = +20mA$   |                 |   | 1.3                              |      |   |
|   | $T_A \leq 85^\circ C$<br>$T_A > 85^\circ C$  |                 |   | 1.5                              |      |   |
|   | $I_{IO} = +8mA$  |                 |   |                                  | 0.6  |   |
| $V_{OH}^{(2)}$  | Output high level voltage for an I/O pin when 4 pins are sourced at same time (see <a href="#">Figure 72</a> and <a href="#">Figure 75</a> ) |                 | $I_{IO} = -5mA,$<br>$T_A \leq 85^\circ C$<br>$T_A > 85^\circ C$ | $V_{DD} - 1.4$<br>$V_{DD} - 1.6$ |      |   |
|   |  |                 |   |                                  |      |   |
|   |  | $I_{IO} = -2mA$ | $V_{DD} - 0.7$  |                                  |      |   |

1. The  $I_{IO}$  current sunk must always respect the absolute maximum rating specified in [Section 12.2.2](#) and the sum of  $I_{IO}$  (I/O ports and control pins) must not exceed  $I_{VSS}$ .
2. The  $I_{IO}$  current sourced must always respect the absolute maximum rating specified in [Section 12.2.2](#) and the sum of  $I_{IO}$  (I/O ports and control pins) must not exceed  $I_{VDD}$ . True open drain I/O pins do not have  $V_{OH}$ .

Figure 70. Typical  $V_{OL}$  at  $V_{DD} = 5V$  (standard ports)

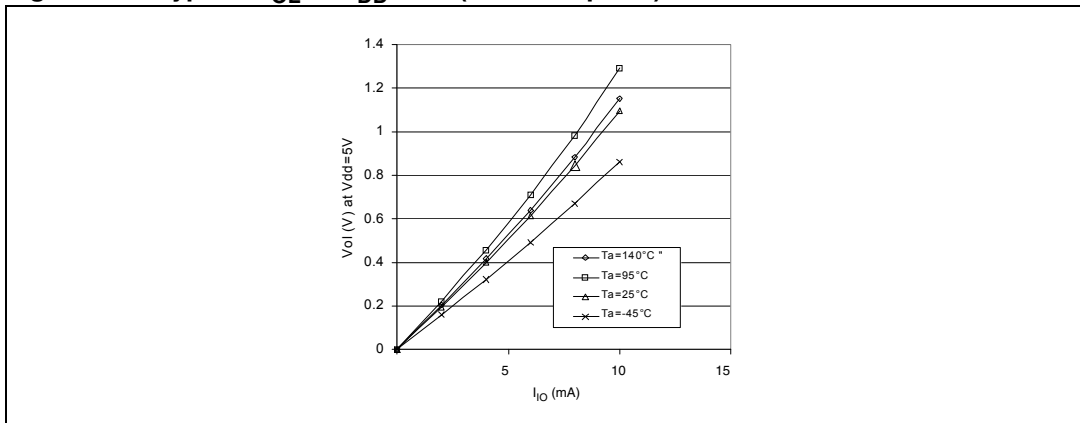


Figure 71. Typical  $V_{OL}$  at  $V_{DD} = 5V$  (high-sink ports)

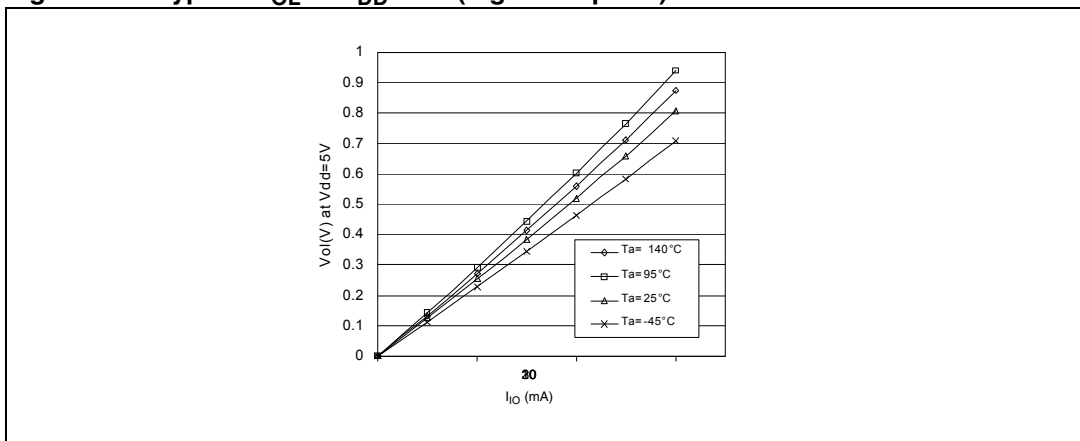


Figure 72. Typical  $V_{OH}$  at  $V_{DD} = 5V$

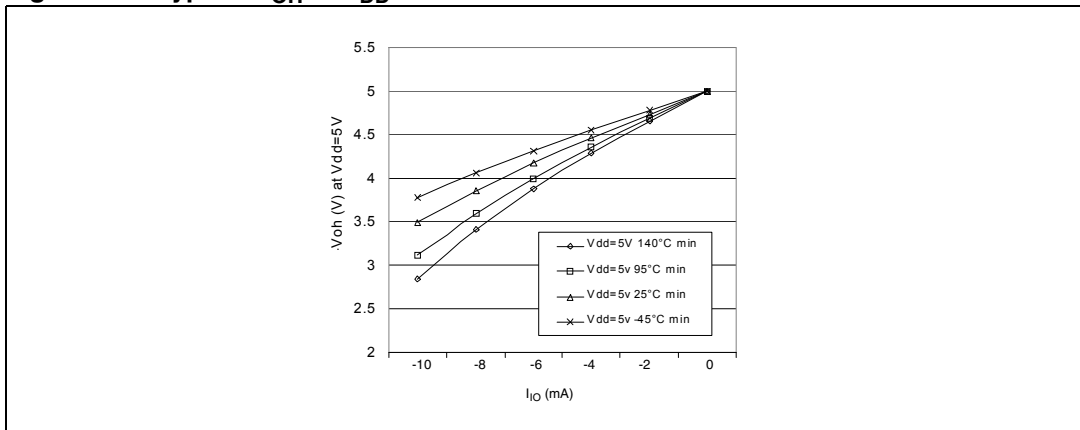


Figure 73. Typical  $V_{OL}$  vs.  $V_{DD}$  (standard ports)

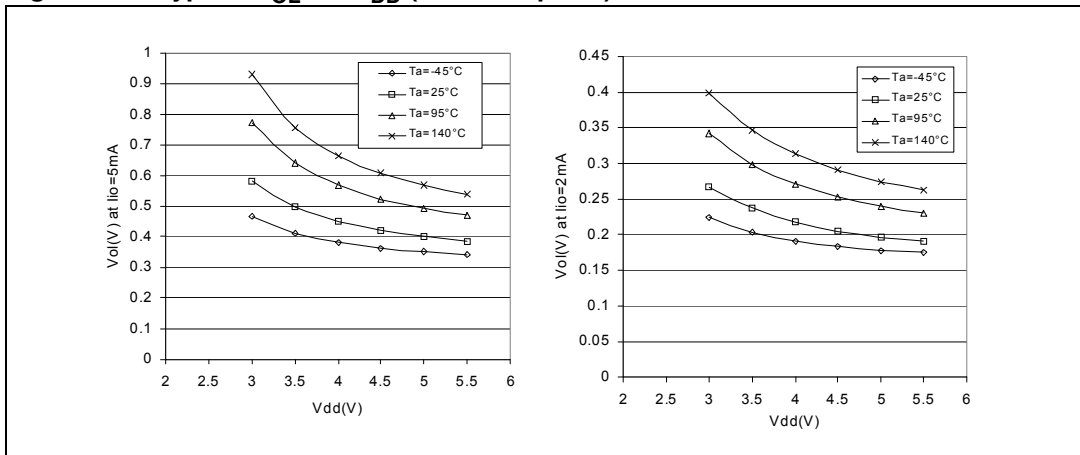


Figure 74. Typical  $V_{OL}$  vs.  $V_{DD}$  (high-sink ports)

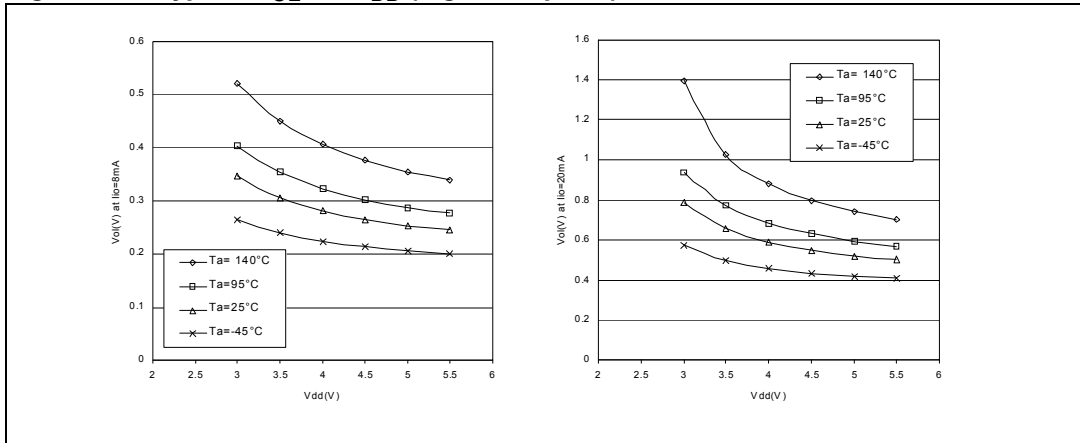
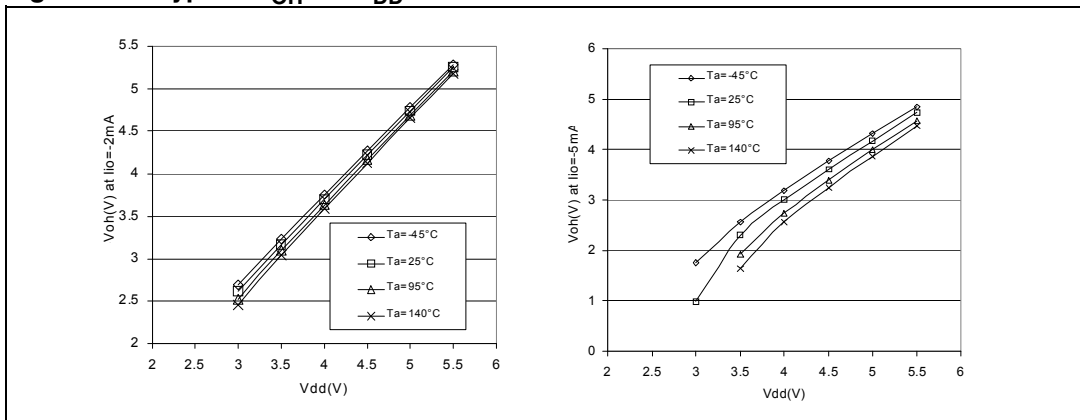


Figure 75. Typical  $V_{OH}$  vs.  $V_{DD}$



## 12.10 Control pin characteristics

### 12.10.1 Asynchronous $\overline{\text{RESET}}$ pin

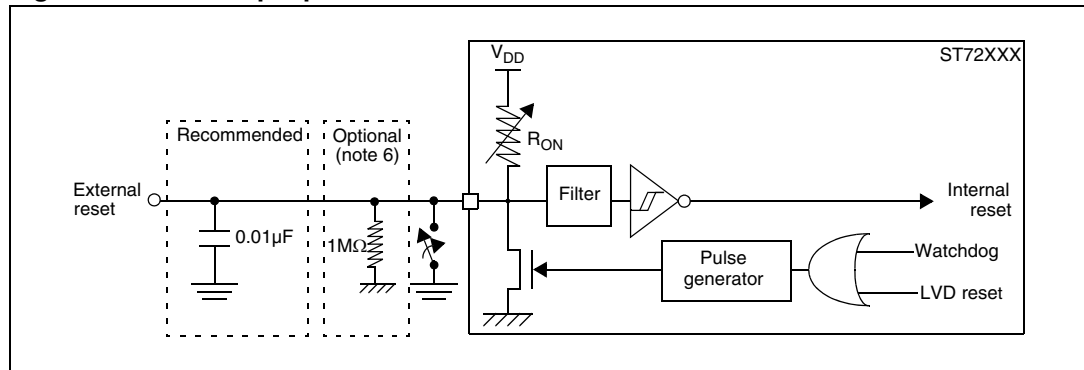
Subject to general operating conditions for  $V_{DD}$ ,  $f_{CPU}$ , and  $T_A$  unless otherwise specified.

**Table 107. Asynchronous  $\overline{\text{RESET}}$  pin**

| Symbol           | Parameter   | Conditions                   | Min                 | Typ | Max                 | Unit      |
|------------------|---|------------------------------|---------------------|-----|---------------------|-----------|
| $V_{IL}$         | Input low level voltage <sup>(1)</sup>            |                              |                     |     | $0.3 \times V_{DD}$ | V         |
| $V_{IH}$         | Input high level voltage <sup>(1)</sup>           |                              | $0.7 \times V_{DD}$ |     |                     |           |
| $V_{hys}$        | Schmitt trigger voltage hysteresis <sup>(2)</sup> |                              |                     | 2.5 |                     |           |
| $V_{OL}$         | Output low level voltage <sup>(3)</sup>           | $V_{DD} = 5V, I_{IO} = +2mA$ |                     | 0.2 | 0.5                 | V         |
| $I_{IO}$         | Driving current on $\overline{\text{RESET}}$ pin  |                              |                     | 2   |                     | mA        |
| $R_{ON}$         | Weak pull-up equivalent resistor                  | $V_{DD} = 5V$                | 20                  | 30  | 120                 | $k\Omega$ |
| $t_{w(RSTL)out}$ | Generated reset pulse duration                    | Internal reset sources       | 20                  | 30  | $42^{(4)}$          | $\mu s$   |
| $t_{h(RSTL)in}$  | External reset pulse hold time <sup>(5)</sup>     |                              | 2.5                 |     |                     | $\mu s$   |
| $t_{g(RSTL)in}$  | Filtered glitch duration <sup>(6)</sup>           |                              |                     | 200 |                     | ns        |

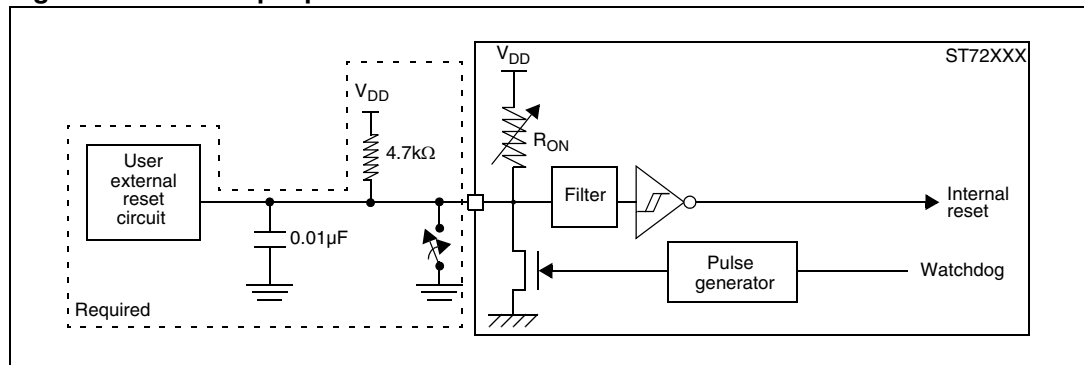
1. Data based on characterization results, not tested in production.
2. Hysteresis voltage between Schmitt trigger switching levels.
3. The  $I_{IO}$  current sunk must always respect the absolute maximum rating specified in [Section 12.2.2](#) and the sum of  $I_{IO}$  (I/O ports and control pins) must not exceed  $I_{VSS}$ .
4. Data guaranteed by design, not tested in production.
5. To guarantee the reset of the device, a minimum pulse has to be applied to the  $\overline{\text{RESET}}$  pin. All short pulses applied on the  $\overline{\text{RESET}}$  pin with a duration below  $t_{h(RSTL)in}$  can be ignored.
6. The reset network (the resistor and two capacitors) protects the device against parasitic resets, especially in noisy environments.

Figure 76.  $\overline{\text{RESET}}$  pin protection when LVD is enabled<sup>(1)(2)(3)(4)(5)(6)</sup>



1. The reset network protects the device against parasitic resets.
2. The output of the external reset circuit must have an open-drain output to drive the ST7 reset pad. Otherwise the device can be damaged when the ST7 generates an internal reset (LVD or watchdog).
3. Whatever the reset source is (internal or external), the user must ensure that the level on the  $\overline{\text{RESET}}$  pin can go below the  $V_{IL}$  max. level specified in [Section 12.10.1](#). Otherwise the reset will not be taken into account internally.
4. Because the reset circuit is designed to allow the internal RESET to be output in the  $\overline{\text{RESET}}$  pin, the user must ensure that the current sunk on the RESET pin (by an external pull-up for example) is less than the absolute maximum value specified for  $I_{INJ}(\text{RESET})$  in [Section 12.2.2 on page 147](#).
5. When the LVD is enabled, it is mandatory not to connect a pull-up resistor. A 10nF pull-down capacitor is recommended to filter noise on the reset line.
6. In case a capacitive power supply is used, it is recommended to connect a 1M ohm pull-down resistor to the RESET pin to discharge any residual voltage induced by this capacitive power supply (this will add 5µA to the power consumption of the MCU).
7. Tips when using the LVD:
  - A. Check that all recommendations related to reset circuit have been applied (see notes above)
  - B. Check that the power supply is properly decoupled (100nF + 10µF close to the MCU). Refer to AN1709. If this cannot be done, it is recommended to put a 100nF + 1M ohm pull-down on the RESET pin.
  - C. The capacitors connected on the RESET pin and also the power supply are key to avoiding any start-up marginality. In most cases, steps 1 and 2 above are sufficient for a robust solution. Otherwise: Replace 10nF pull-down on the RESET pin with a 5µF to 20µF capacitor.

Figure 77.  $\overline{\text{RESET}}$  pin protection when LVD is disabled<sup>(1)(2)(3)(4)</sup>



1. The reset network protects the device against parasitic resets.
2. The output of the external reset circuit must have an open-drain output to drive the ST7 reset pad. Otherwise the device can be damaged when the ST7 generates an internal reset (LVD or watchdog).
3. Whatever the reset source is (internal or external), the user must ensure that the level on the  $\overline{\text{RESET}}$  pin can go below the  $V_{IL}$  max. level specified in [Section 12.10.1](#). Otherwise the reset will not be taken into account internally.
4. Because the reset circuit is designed to allow the internal RESET to be output in the  $\overline{\text{RESET}}$  pin, the user must ensure that the current sunk on the RESET pin (by an external pull-up for example) is less than the absolute maximum value specified for  $I_{INJ}(\text{RESET})$  in [Section 12.2.2](#).

### 12.10.2 ICCSEL/V<sub>PP</sub> pin

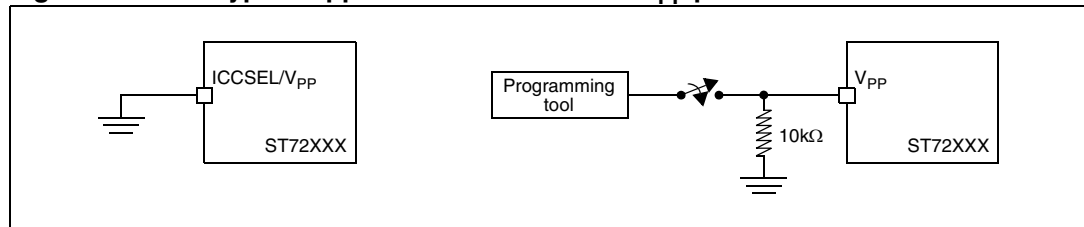
Subject to general operating conditions for V<sub>DD</sub>, f<sub>CPU</sub>, and T<sub>A</sub> unless otherwise specified.

**Table 108. ICCSEL/V<sub>PP</sub> pin**

| Symbol           | Parameter                               | Conditions                        | Min                   | Max                   | Unit |
|------------------|---|-----------------------------------|-----------------------|-----------------------|------|
| V <sub>IL</sub>  | Input low level voltage <sup>(1)</sup>  | Flash versions                    | V <sub>SS</sub>       | 0.2                   | V    |
|                  |   | ROM versions                      | V <sub>SS</sub>       | 0.3 x V <sub>DD</sub> |      |
| V <sub>IH</sub>  | Input high level voltage <sup>(1)</sup> | Flash versions                    | V <sub>DD</sub> - 0.1 | 12.6                  |      |
|                  |   | ROM versions                      | 0.7 x V <sub>DD</sub> | V <sub>DD</sub>       |      |
| I <sub>lkg</sub> | Input leakage current                   | V <sub>IN</sub> = V <sub>SS</sub> |                       | ±1                    | µA   |

1. Data based on design simulation and/or technology characteristics, not tested in production.

**Figure 78. Two typical applications with ICCSEL/V<sub>PP</sub> pin<sup>(1)</sup>**



1. When ICC mode is not required by the application ICCSEL/V<sub>PP</sub> pin must be tied to V<sub>SS</sub>.

## 12.11 Timer peripheral characteristics

Subject to general operating conditions for V<sub>DD</sub>, f<sub>OSC</sub>, and T<sub>A</sub> unless otherwise specified.

Refer to I/O port characteristics for more details on the input/output alternate function characteristics (output compare, input capture, external clock, PWM output...).

Data based on design simulation and/or characterization results, not tested in production.

### 12.11.1 16-bit timer

**Table 109. 16-bit timer**

| Symbol                 | Parameter                      | Conditions               | Min | Typ | Max                 | Unit             |
|------------------------|--------------------------------|--------------------------|-----|-----|---------------------|------------------|
| t <sub>w(ICAP)in</sub> | Input capture pulse time       |                          | 1   |     |                     | t <sub>CPU</sub> |
| t <sub>res(PWM)</sub>  | PWM resolution time            |                          | 2   |     |                     | t <sub>CPU</sub> |
|                        |                                | f <sub>CPU</sub> = 8 MHz | 250 |     |                     | ns               |
| f <sub>EXT</sub>       | Timer external clock frequency |                          | 0   |     | f <sub>CPU</sub> /4 | MHz              |
| f <sub>PWM</sub>       | PWM repetition rate            |                          |     |     |                     |                  |
| Res <sub>PWM</sub>     | PWM resolution                 |                          |     |     | 16                  | bit              |



## 12.12 Communication interface characteristics

### 12.12.1 Serial peripheral interface (SPI)

The following characteristics are subject to general operating conditions for  $V_{DD}$ ,  $f_{CPU}$ , and  $T_A$  unless otherwise specified. The data is based on design simulation and/or characterization results, not tested in production.

When no communication is on-going the data output line of the SPI (MOSI in master mode, MISO in slave mode) has its alternate function capability released. In this case, the pin status depends on the I/O port configuration. Refer to the I/O port characteristics for more details on the input/output alternate function characteristics ( $\overline{SS}$ , SCK, MOSI, MISO).

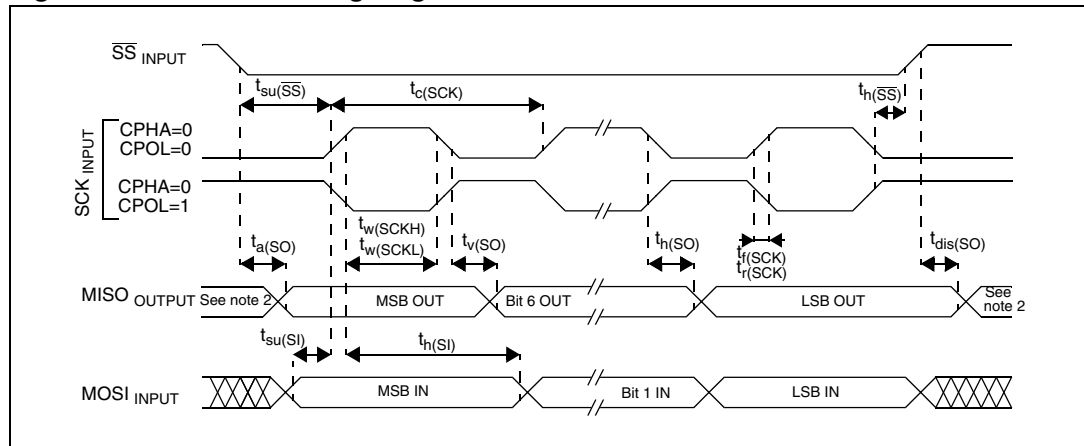
**Table 110. SPI characteristics**

| Symbol                                     | Parameter                                 | Conditions                 | Min                          | Max             | Unit |
|--|---|----------------------------|------------------------------|-----------------|------|
| $f_{SCK}$<br>$1/t_{c(SCK)}$                | SPI clock frequency                       | Master $f_{CPU} = 8$ MHz   | $f_{CPU}/128 = 0.0625$       | $f_{CPU}/4 = 2$ | MHz  |
|  |   | Slave $f_{CPU} = 8$ MHz    | 0                            | $f_{CPU}/2 = 4$ |      |
| $t_{r(SCK)}$<br>$t_{f(SCK)}$               | SPI clock rise and fall time              |                            | see I/O port pin description |                 |      |
| $t_{su(\overline{SS})}^{(1)}$              | $\overline{SS}$ setup time <sup>(2)</sup> | Slave                      | $t_{CPU} + 50$               |                 | ns   |
| $t_{h(\overline{SS})}^{(1)}$               | $\overline{SS}$ hold time                 | Slave                      | 120                          |                 |      |
| $t_{w(SCKH)}^{(1)}$<br>$t_{w(SCKL)}^{(1)}$ | SCK high and low time                     | Master                     | 100                          |                 |      |
|  |   | Slave                      | 90                           |                 |      |
| $t_{su(MI)}^{(1)}$<br>$t_{su(SI)}^{(1)}$   | Data input setup time                     | Master                     | 100                          |                 |      |
|  |   | Slave                      | 100                          |                 |      |
| $t_{h(MI)}^{(1)}$<br>$t_{h(SI)}^{(1)}$     | Data input hold time                      | Master                     | 100                          |                 |      |
|  |   | Slave                      | 100                          |                 |      |
| $t_{a(SO)}^{(1)}$                          | Data output access time                   | Slave                      | 0                            | 120             |      |
| $t_{dis(SO)}^{(1)}$                        | Data output disable time                  | Slave                      |                              | 240             |      |
| $t_{v(SO)}^{(1)}$                          | Data output valid time                    | Slave (after enable edge)  |                              | 120             |      |
| $t_{h(SO)}^{(1)}$                          | Data output hold time                     |                            | 0                            |                 |      |
| $t_{v(MO)}^{(1)}$                          | Data output valid time                    | Master (after enable edge) |                              | 120             |      |
| $t_{h(MO)}^{(1)}$                          | Data output hold time                     |                            | 0                            |                 |      |

1. Data based on design simulation and/or characterization results, not tested in production.

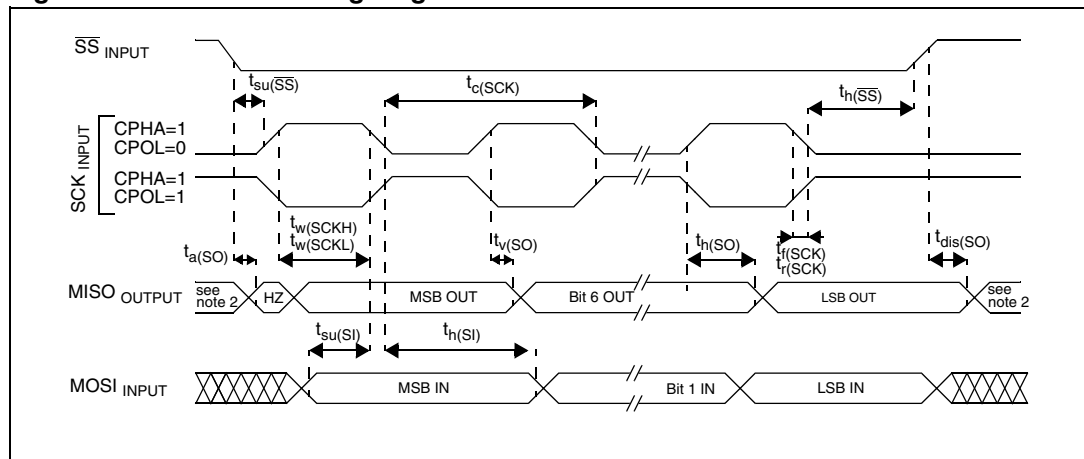
2. Depends on  $f_{CPU}$ . For example, if  $f_{CPU} = 8$  MHz, then  $t_{CPU} = 1 / f_{CPU} = 125$ ns and  $t_{su(SS)} = 175$ ns.

Figure 79. SPI slave timing diagram with CPHA = 0<sup>(1)</sup>



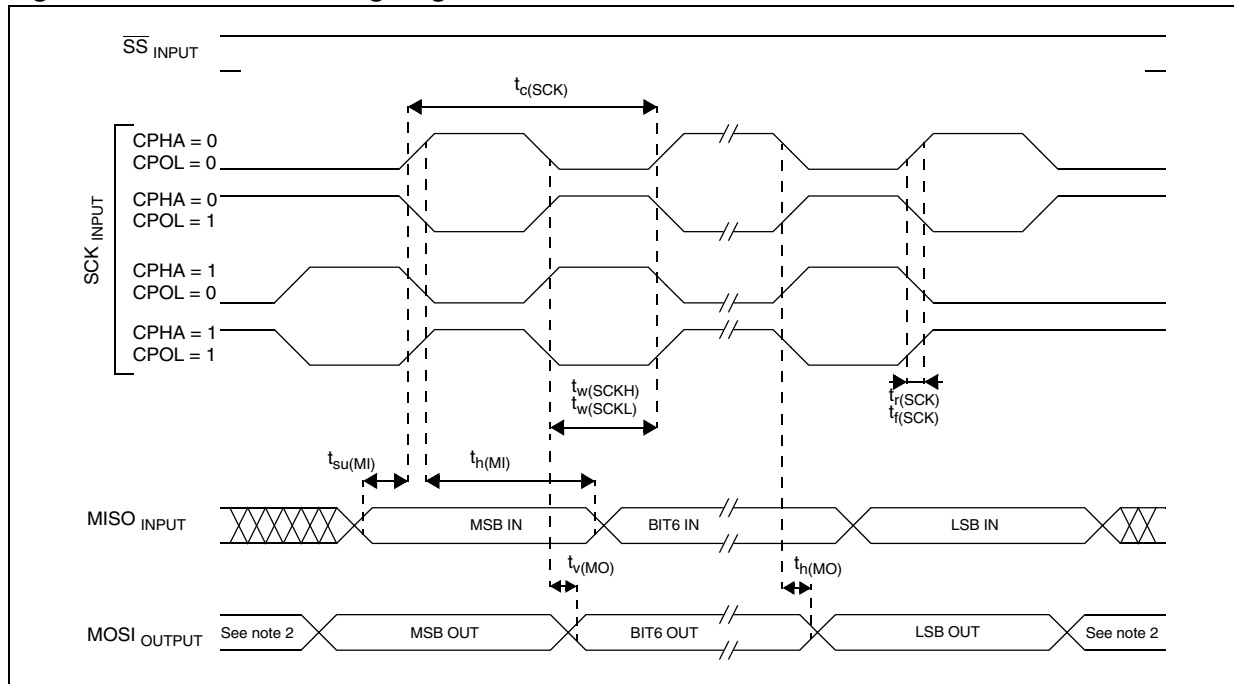
1. Measurement points are done at CMOS levels:  $0.3xV_{DD}$  and  $0.7xV_{DD}$ .
2. When no communication is on-going the data output line of the SPI (MOSI in master mode, MISO in slave mode) has its alternate function capability released. In this case, the pin status depends on the I/O port configuration.

Figure 80. SPI slave timing diagram with CPHA = 1<sup>(1)</sup>



1. Measurement points are done at CMOS levels:  $0.3xV_{DD}$  and  $0.7xV_{DD}$ .
2. When no communication is on-going the data output line of the SPI (MOSI in master mode, MISO in slave mode) has its alternate function capability released. In this case, the pin status depends on the I/O port configuration.

Figure 81. SPI master timing diagram<sup>(1)</sup>



1. Measurement points are done at CMOS levels:  $0.3 \times V_{DD}$  and  $0.7 \times V_{DD}$ .
2. When no communication is on-going the data output line of the SPI (MOSI in master mode, MISO in slave mode) has its alternate function capability released. In this case, the pin status depends on the I/O port configuration.

### 12.13 10-bit ADC characteristics

Subject to general operating conditions for  $V_{DD}$ ,  $f_{CPU}$ , and  $T_A$  unless otherwise specified.

Table 111. 10-bit ADC characteristics

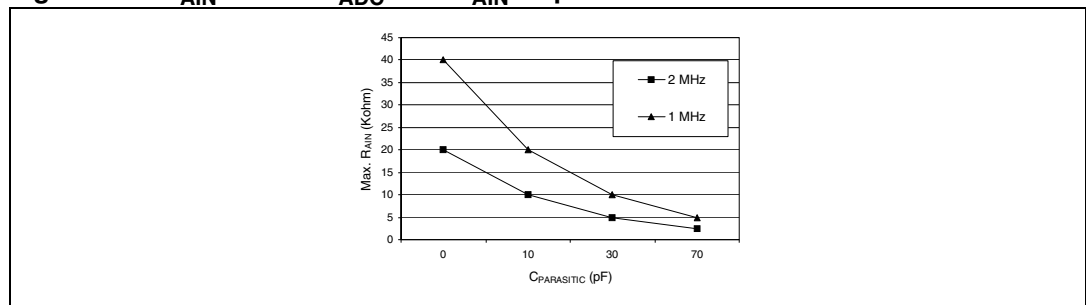
| Symbol     | Parameter   | Conditions                                    | Min       | Typ | Max                         | Unit       |
|------------|---|---|-----------|-----|-----------------------------|------------|
| $f_{ADC}$  | ADC clock frequency                                   |   | 0.4       |     | 2                           | MHz        |
| $V_{AREF}$ | Analog reference voltage                              | $0.7 \times V_{DD} \leq V_{AREF} \leq V_{DD}$ | 3.8       |     | $V_{DD}$                    | V          |
| $V_{AIN}$  | Conversion voltage range <sup>(1)</sup>               |   | $V_{SSA}$ |     | $V_{AREF}$                  |            |
| $I_{lkg}$  | Input leakage current for analog input <sup>(2)</sup> | $-40^\circ C \leq T_A \leq +85^\circ C$       |           |     | $\pm 250$                   | nA         |
|            |   | Other $T_A$ ranges                            |           |     | $\pm 1$                     | $\mu A$    |
| $R_{AIN}$  | External input impedance                              |   |           |     | See Figure 82 and Figure 83 | k $\Omega$ |
| $C_{AIN}$  | External capacitor on analog input                    |   |           |     |                             | pF         |
| $f_{AIN}$  | Variation freq. of analog input signal                |   |           |     |                             | Hz         |
| $C_{ADC}$  | Internal sample and hold capacitor                    |   |           | 12  |                             | pF         |

Table 111. 10-bit ADC characteristics (continued)

| Symbol    | Parameter  | Conditions | Min | Typ     | Max | Unit          |
|-----------|--|------------|-----|---------|-----|---------------|
| $t_{ADC}$ | Conversion time (Sample + Hold)<br>$f_{CPU} = 8 \text{ MHz}$ , Speed = 0,<br>$f_{ADC} = 2 \text{ MHz}$ |            |     | 7.5     |     | $\mu\text{s}$ |
|           | No. of sample capacitor loading cycles<br>No. of Hold conversion cycles                                |            |     | 4<br>11 |     | $1/f_{ADC}$   |

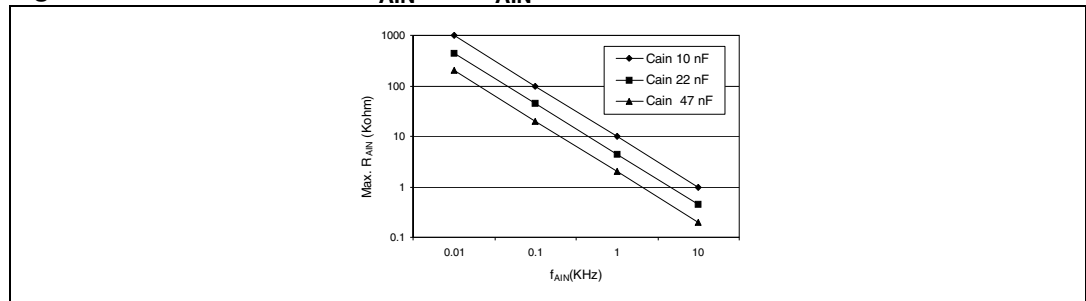
- Any added external serial resistor will downgrade the ADC accuracy (especially for resistance greater than 10k $\Omega$ ). Data based on characterization results, not tested in production.
- Injecting negative current on adjacent pins may result in increased leakage currents. Software filtering of the converted analog value is recommended.

Figure 82.  $R_{AIN}$  max. vs  $f_{ADC}$  with  $C_{AIN} = 0\text{pF}^{(1)}$



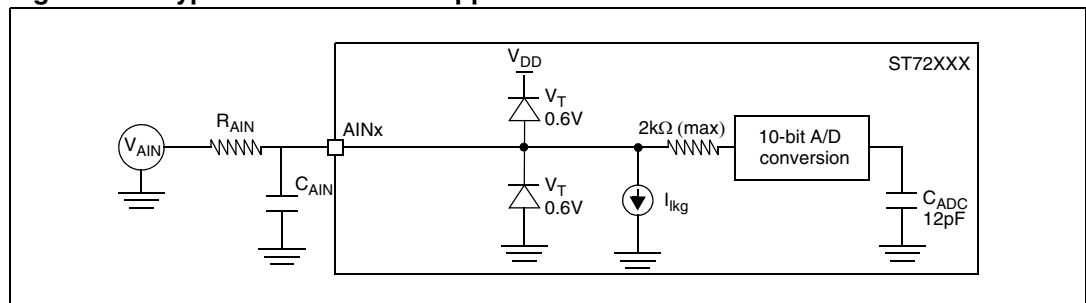
- $C_{PARASITIC}$  represents the capacitance of the PCB (dependent on soldering and PCB layout quality) plus the pad capacitance (3pF). A high  $C_{PARASITIC}$  value will downgrade conversion accuracy. To remedy this,  $f_{ADC}$  should be reduced.

Figure 83. Recommended  $C_{AIN}$  and  $R_{AIN}$  values<sup>(1)</sup>



- This graph shows that, depending on the input signal variation ( $f_{AIN}$ ),  $C_{AIN}$  can be increased for stabilization time and decreased to allow the use of a larger serial resistor ( $R_{AIN}$ ).

Figure 84. Typical A/D converter application



### 12.13.1 Analog power supply and reference pins

Depending on the MCU pin count, the package may feature separate  $V_{AREF}$  and  $V_{SSA}$  analog power supply pins. These pins supply power to the A/D converter cell and function as the high and low reference voltages for the conversion. In some packages,  $V_{AREF}$  and  $V_{SSA}$  pins are not available (refer to [Section 2 on page 15](#)). In this case the analog supply and reference pads are internally bonded to the  $V_{DD}$  and  $V_{SS}$  pins.

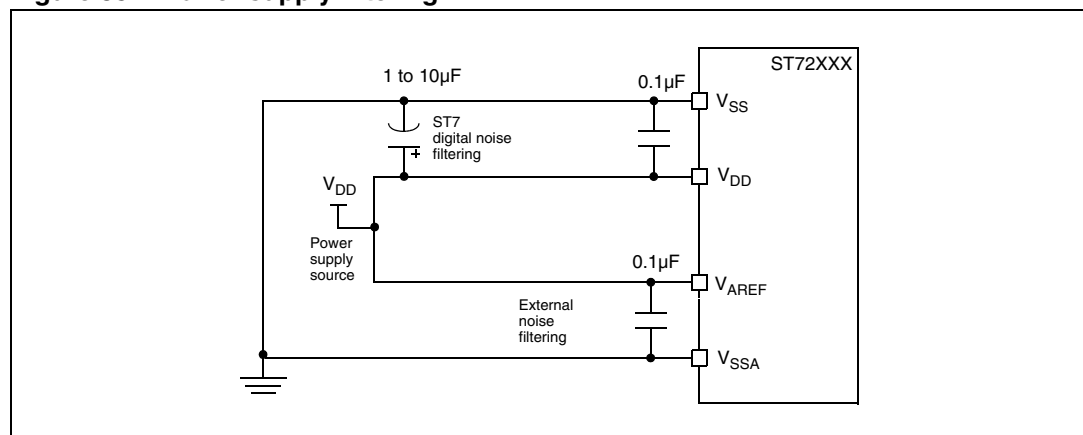
Separation of the digital and analog power pins allow board designers to improve A/D performance. Conversion accuracy can be impacted by voltage drops and noise in the event of heavily loaded or badly decoupled power supply lines (see [Section 12.13.2: General PCB design guidelines](#)).

### 12.13.2 General PCB design guidelines

To obtain best results, some general design and layout rules should be followed when designing the application PCB to shield the noise-sensitive, analog physical interface from noise-generating CMOS logic signals.

- Use separate digital and analog planes. The analog ground plane should be connected to the digital ground plane via a single point on the PCB.
- Filter power to the analog power planes. It is recommended to connect capacitors, with good high frequency characteristics, between the power and ground lines, placing  $0.1\mu\text{F}$  and optionally, if needed  $10\text{pF}$  capacitors as close as possible to the ST7 power supply pins and a 1 to  $10\mu\text{F}$  capacitor close to the power source (see [Figure 85](#)).
- The analog and digital power supplies should be connected in a star network. Do not use a resistor, as  $V_{AREF}$  is used as a reference voltage by the A/D converter and any resistance would cause a voltage drop and a loss of accuracy.
- Properly place components and route the signal traces on the PCB to shield the analog inputs. Analog signals paths should run over the analog ground plane and be as short as possible. Isolate analog signals from digital signals that may switch while the analog inputs are being sampled by the A/D converter. Do not toggle digital outputs on the same I/O port as the A/D input being converted.

**Figure 85. Power supply filtering**



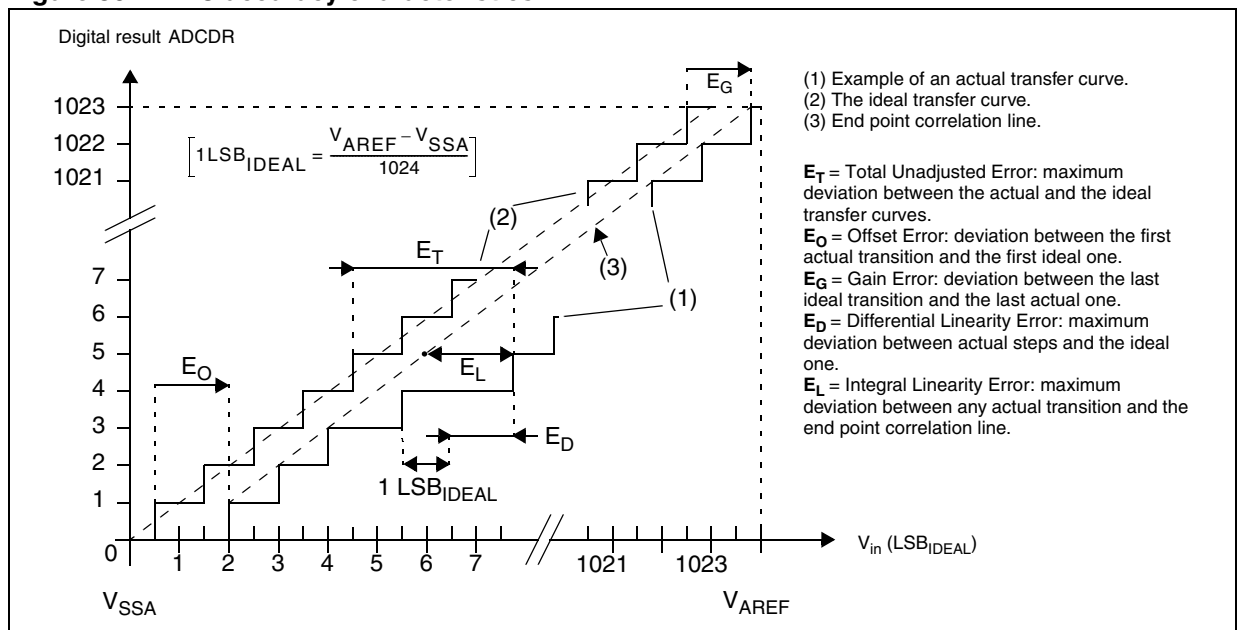
### 12.13.3 ADC accuracy

Table 112. ADC accuracy

| Symbol         | Parameter                                   | Conditions  | Typ | Max <sup>(1)</sup>       |                | Unit |
|----------------|---|---|-----|--------------------------|----------------|------|
|                |   |   |     | ROM and 8/16 Kbyte Flash | 32 Kbyte Flash |      |
| E <sub>T</sub> | Total unadjusted error <sup>(2)</sup>       | V <sub>DD</sub> = 5V <sup>(2)</sup><br>CPU in run mode @ f <sub>ADC</sub> 2 MHz | 3   | 4                        | 6              | LSB  |
| E <sub>O</sub> | Offset error <sup>(2)</sup>                 |   | 2   | 3                        | 5              |      |
| E <sub>G</sub> | Gain error <sup>(2)</sup>                   |   | 0.5 | 3                        | 4.5            |      |
| E <sub>D</sub> | Differential linearity error <sup>(2)</sup> |   | 1   | 2                        | 2              |      |
| E <sub>L</sub> | Integral linearity error <sup>(2)</sup>     |   |     |                          | 3              |      |

1. Data based on characterization results, monitored in production to guarantee 99.73% within ± max value from -40°C to 125°C (± 3σ distribution limits).
2. ADC accuracy vs. negative injection current: Injecting negative current may reduce the accuracy of the conversion being performed on another analog input. Any positive injection current within the limits specified for I<sub>INJ(PIN)</sub> and ΣI<sub>INJ(PIN)</sub> in Section 12.9 does not affect the ADC accuracy.

Figure 86. ADC accuracy characteristics



## 13 Package characteristics

In order to meet environmental requirements, ST offers these devices in different grades of ECOPACK<sup>®</sup> packages, depending on their level of environmental compliance. ECOPACK<sup>®</sup> specifications, grade definitions and product status are available at: [www.st.com](http://www.st.com). ECOPACK<sup>®</sup> is an ST trademark.

### 13.1 LQFP44 package characteristics

Figure 87. 44-pin low profile quad flat package outline

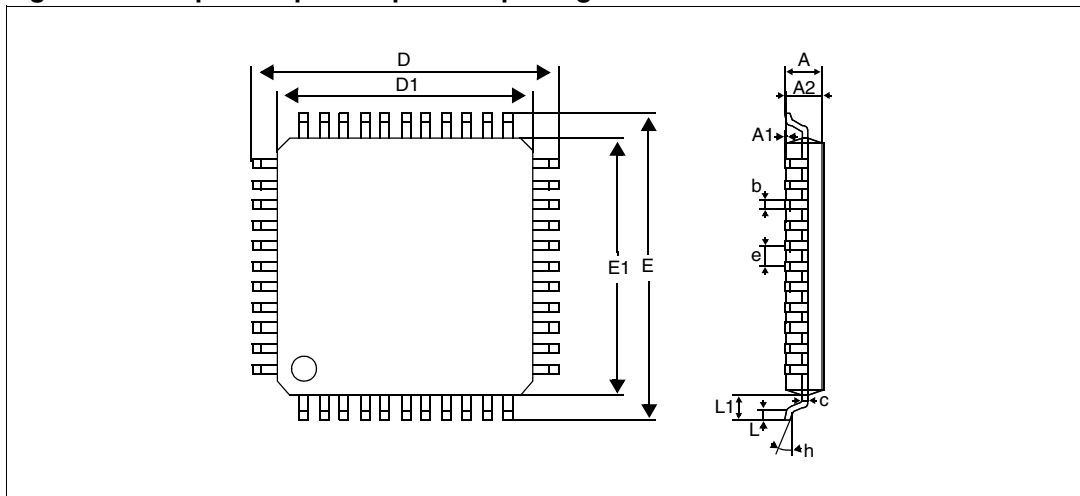


Table 113. 44-pin low profile quad flat package mechanical data

| Dim. | mm   |       |      | inches |       |       |
|------|------|-------|------|--------|-------|-------|
|      | Min  | Typ   | Max  | Min    | Typ   | Max   |
| A    |      |       | 1.60 |        |       | 0.063 |
| A1   | 0.05 |       | 0.15 | 0.002  |       | 0.006 |
| A2   | 1.35 | 1.40  | 1.45 | 0.053  | 0.055 | 0.057 |
| b    | 0.30 | 0.37  | 0.45 | 0.012  | 0.015 | 0.018 |
| C    | 0.09 |       | 0.20 | 0.004  | 0.000 | 0.008 |
| D    |      | 12.00 |      |        | 0.472 |       |
| D1   |      | 10.00 |      |        | 0.394 |       |
| E    |      | 12.00 |      |        | 0.472 |       |
| E1   |      | 10.00 |      |        | 0.394 |       |
| e    |      | 0.80  |      |        | 0.031 |       |
| θ    | 0°   | 3.5°  | 7°   | 0°     | 3.5°  | 7°    |

Table 113. 44-pin low profile quad flat package mechanical data

| Dim.           | mm   |      |      | inches |       |       |
|----------------|------|------|------|--------|-------|-------|
|                | Min  | Typ  | Max  | Min    | Typ   | Max   |
| L              | 0.45 | 0.60 | 0.75 | 0.018  | 0.024 | 0.030 |
| L1             |      | 1.00 |      |        | 0.039 |       |
| Number of pins |      |      |      |        |       |       |
| N              | 44   |      |      |        |       |       |

### 13.2 LQFP32 package characteristics

Figure 88. 32-pin low profile quad flat package outline

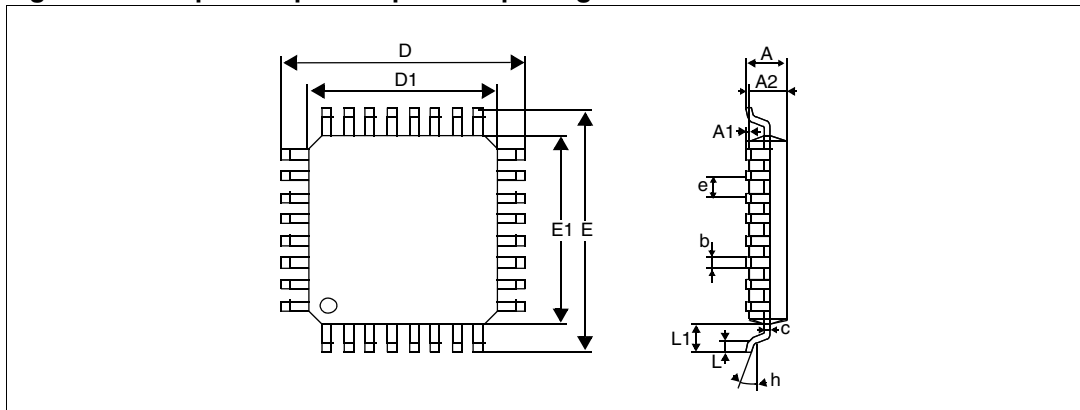


Table 114. 32-pin low profile quad flat package mechanical data

| Dim. | mm   |      |      | inches |       |       |
|------|------|------|------|--------|-------|-------|
|      | Min  | Typ  | Max  | Min    | Typ   | Max   |
| A    |      |      | 1.60 |        |       | 0.063 |
| A1   | 0.05 |      | 0.15 | 0.002  |       | 0.006 |
| A2   | 1.35 | 1.40 | 1.45 | 0.053  | 0.055 | 0.057 |
| b    | 0.30 | 0.37 | 0.45 | 0.012  | 0.015 | 0.018 |
| C    | 0.09 |      | 0.20 | 0.004  |       | 0.008 |
| D    |      | 9.00 |      |        | 0.354 |       |
| D1   |      | 7.00 |      |        | 0.276 |       |
| E    |      | 9.00 |      |        | 0.354 |       |
| E1   |      | 7.00 |      |        | 0.276 |       |
| e    |      | 0.80 |      |        | 0.031 |       |
| θ    | 0°   | 3.5° | 7°   | 0°     | 3.5°  | 7°    |
| L    | 0.45 | 0.60 | 0.75 | 0.018  | 0.024 | 0.030 |



Table 114. 32-pin low profile quad flat package mechanical data (continued)

| Dim.           | mm  |      |     | inches |       |     |
|----------------|-----|------|-----|--------|-------|-----|
|                | Min | Typ  | Max | Min    | Typ   | Max |
| L1             |     | 1.00 |     |        | 0.039 |     |
| Number of pins |     |      |     |        |       |     |
| N              | 32  |      |     |        |       |     |

### 13.3 Thermal characteristics

Table 115. Thermal characteristics

| Symbol     | Ratings   | Value    | Unit |
|------------|---|----------|------|
| $R_{thJA}$ | Package thermal resistance (junction to ambient):<br>LQFP44 10x10<br>LQFP32 7x7 | 52<br>70 | °C/W |
| $P_D$      | Power dissipation <sup>(1)</sup>  | 500      | mW   |
| $T_{Jmax}$ | Maximum junction temperature <sup>(2)</sup>                                     | 150      | °C   |

1. The maximum power dissipation is obtained from the formula  $P_D = (T_J - T_A) / R_{thJA}$ . The power dissipation of an application can be defined by the user with the formula:  $P_D = P_{INT} + P_{PORT}$  where  $P_{INT}$  is the chip internal power ( $I_{DD} \times V_{DD}$ ) and  $P_{PORT}$  is the port power dissipation depending on the ports used in the application.
2. The maximum chip-junction temperature is based on technology characteristics.

### 13.4 Ecopack information

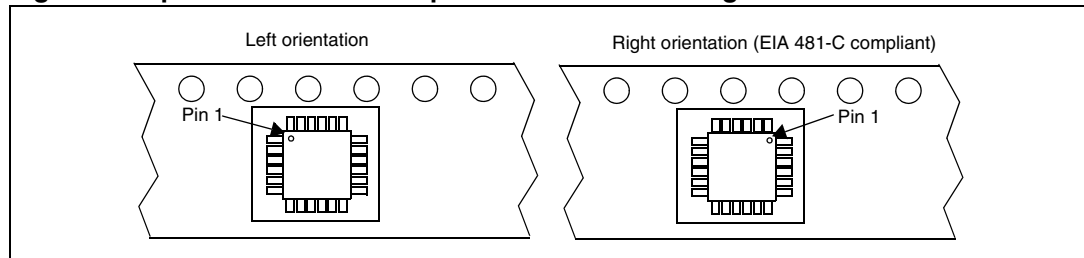
In order to meet environmental requirements, ST offers these devices in different grades of ECOPACK® packages, depending on their level of environmental compliance. ECOPACK® specifications, grade definitions and product status are available at: [www.st.com](http://www.st.com). ECOPACK® is an ST trademark.

### 13.5 Packaging for automatic handling

The devices can be supplied in trays or with tape and reel conditioning.

Tape and reel conditioning can be ordered with pin 1 left-oriented or right-oriented when facing the tape sprocket holes as shown in [Figure 89](#).

Figure 89. pin 1 orientation in tape and reel conditioning



See also [Figure 90: ST72F324Bxx-Auto Flash commercial product structure on page 182](#) and [Figure 91: ST72P324Bxx-Auto FastROM commercial product structure on page 184](#).

# 14 Device configuration and ordering information

Each device is available for production in user programmable versions (Flash) as well as in factory coded versions (ROM/FASTROM).

ST72324B-Auto devices are ROM versions. ST72P324B-Auto devices are Factory Advanced Service Technique ROM (FASTROM) versions: They are factory-programmed HDFSFlash devices. Flash devices are shipped to customers with a default content (FFh), while ROM factory coded parts contain the code supplied by the customer. This implies that Flash devices have to be configured by the customer using the Option bytes while the ROM devices are factory-configured.

## 14.1 Flash devices

### 14.1.1 Flash configuration

Table 116. Flash option bytes

|         | Static option byte 0 |    |     |    |   |          |   |       | Static option byte 1 |      |         |   |          |   |   |        |
|---------|----------------------|----|-----|----|---|----------|---|-------|----------------------|------|---------|---|----------|---|---|--------|
|         | 7                    | 6  | 5   | 4  | 3 | 2        | 1 | 0     | 7                    | 6    | 5       | 4 | 3        | 2 | 1 | 0      |
|         | WDG                  |    | Res | VD |   | Reserved |   | FMP_R | PKG1                 | RSTC | OSCTYPE |   | OSCRANGE |   |   | PLLOFF |
|         | HALT                 | SW |     | 1  | 0 |          |   |       |                      |      |         |   |          | 1 | 0 |        |
| Default | 1                    | 1  | 1   | 0  | 0 | 1        | 1 | 1     | See note 1           | 1    | 1       | 0 | 0        | 1 | 1 | 1      |

1. Depends on device type as defined in [Table 119: Package selection \(OPT7\) on page 181](#)

The option bytes allow the hardware configuration of the microcontroller to be selected. They have no address in the memory map and can be accessed only in programming mode (for example using a standard ST7 programming tool). The default content of the Flash is fixed to FFh. To program directly the Flash devices using ICP, Flash devices are shipped to customers with the internal RC clock source. In masked ROM devices, the option bytes are fixed in hardware by the ROM code (see option list).

Table 117. Option byte 0 bit description

| Bit  | Name     | Function  |
|------|----------|---|
| OPT7 | WDG HALT | Watchdog reset on HALT<br>This option bit determines if a reset is generated when entering Halt mode while the Watchdog is active.<br>0: No reset generation when entering Halt mode<br>1: Reset generation when entering Halt mode |
| OPT6 | WDG SW   | Hardware or software Watchdog<br>This option bit selects the Watchdog type.<br>0: Hardware (Watchdog always enabled)<br>1: Software (Watchdog to be enabled by software)  |

Table 117. Option byte 0 bit description (continued)

| Bit    | Name    | Function   |
|--------|---------|--|
| OPT5   | -       | Reserved, must be kept at default value.   |
| OPT4:3 | VD[1:0] | <p>Voltage detection</p> <p>These option bits enable the voltage detection block (LVD and AVD) with a selected threshold for the LVD and AVD.</p> <p>00: Selected LVD = Highest threshold (<math>V_{DD} \sim 4V</math>).</p> <p>01: Selected LVD = Medium threshold (<math>V_{DD} \sim 3.5V</math>).</p> <p>10: Selected LVD = Lowest threshold (<math>V_{DD} \sim 3V</math>).</p> <p>11: LVD and AVD off</p> <p><b>Caution:</b> If the medium or low thresholds are selected, the detection may occur outside the specified operating voltage range. Below 3.8V, device operation is not guaranteed. For details on the AVD and LVD threshold levels refer to <a href="#">Section 12.4.1 on page 149</a>.</p> |
| OPT2:1 | -       | Reserved, must be kept at default value  |
| OPT0   | FMP_R   | <p>Flash memory readout protection</p> <p>Readout protection, when selected, provides a protection against program memory content extraction and against write access to Flash memory.</p> <p>Erasing the option bytes when the FMP_R option is selected causes the whole user memory to be erased first, after which the device can be reprogrammed. Refer to <a href="#">Section 4.3.1 on page 23</a> and the <i>ST7 Flash Programming Reference Manual</i> for more details.</p> <p>0: Readout protection enabled</p> <p>1: Readout protection disabled</p>   |

Table 118. Option byte 1 bit description

| Bit    | Name         | Function  |
|--------|--------------|---|
| OPT7   | PKG1         | <p>Pin package selection bit</p> <p>This option bit selects the package (see <a href="#">Table 119</a>).</p> <p><i>Note: On the chip, each I/O port has eight pads. Pads that are not bonded to external pins are in input pull-up configuration after reset. The configuration of these pads must be kept at reset state to avoid added current consumption.</i></p> |
| OPT6   | RSTC         | <p>Reset clock cycle selection</p> <p>This option bit selects the number of CPU cycles applied during the reset phase and when exiting Halt mode. For resonator oscillators, it is advised to select 4096 due to the long crystal stabilization time.</p> <p>0: Reset phase with 4096 CPU cycles</p> <p>1: Reset phase with 256 CPU cycles</p>                        |
| OPT5:4 | OSCTYPE[1:0] | <p>Oscillator type</p> <p>These option bits select the ST7 main clock source type.</p> <p>00: Clock source = Resonator oscillator</p> <p>01: Reserved</p> <p>10: Clock source = Internal RC oscillator</p> <p>11: Clock source = External source</p>  |

Table 118. Option byte 1 bit description (continued)

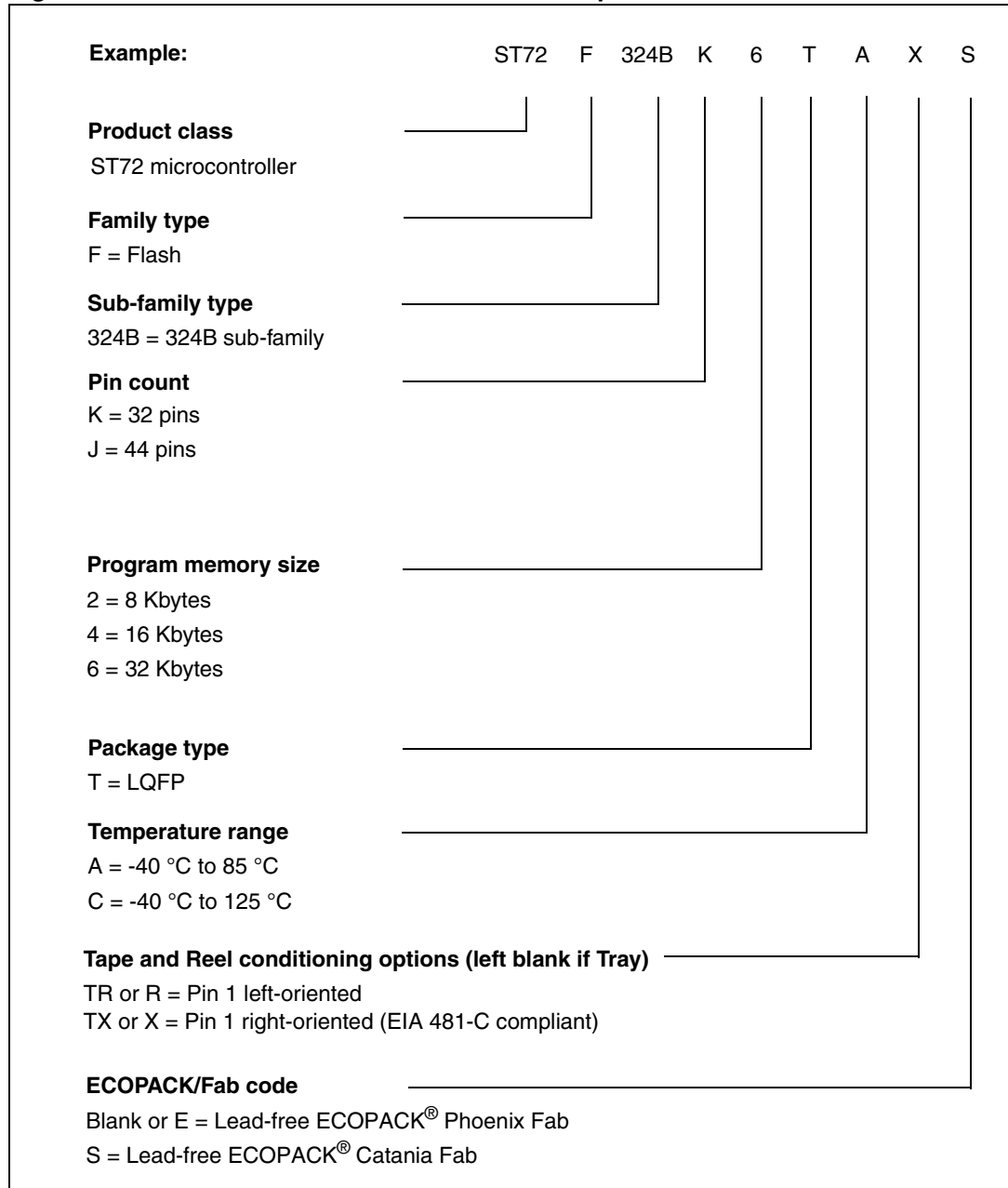
| Bit    | Name          | Function   |
|--------|---------------|--|
| OPT3:1 | OSCRANGE[2:0] | <p>Oscillator range</p> <p>When the resonator oscillator type is selected, these option bits select the resonator oscillator current source corresponding to the frequency range of the used resonator. When the external clock source is selected, these bits are set to medium power (2 ~ 4 MHz).</p> <p>000: Typ. frequency range (LP) = 1 ~ 2 MHz<br/>           001: Typ. frequency range (MP) = 2 ~ 4 MHz<br/>           010: Typ. frequency range (MS) = 4 ~ 8 MHz<br/>           011: Typ. frequency range (HS) = 8 ~ 16 MHz</p> |
| OPT0   | PLL OFF       | <p>PLL activation</p> <p>This option bit activates the PLL which allows multiplication by two of the main input clock frequency. The PLL must not be used with the internal RC oscillator. The PLL is guaranteed only with an input frequency between 2 and 4 MHz.</p> <p>0: PLL x2 enabled<br/>           1: PLL x2 disabled</p> <p><b>Caution:</b> The PLL can be enabled only if the "OSCRANGE" (OPT3:1) bits are configured to "MP - 2~4 MHz". Otherwise, the device functionality is not guaranteed.</p>                            |

Table 119. Package selection (OPT7)

| Version | Selected package | PKG1 |
|---------|------------------|------|
| J       | LQFP44           | 1    |
| K       | LQFP32           | 0    |

### 14.1.2 Flash ordering information

Figure 90. ST72F324Bxx-Auto Flash commercial product structure



1. For a list of available options (e.g. memory size, package) and orderable part numbers or for further information on any aspect of this device, please go to [www.st.com](http://www.st.com) or contact the ST Sales Office nearest to you.

## 14.2 ROM device ordering information and transfer of customer code

Customer code is made up of the ROM/FASTROM contents and the list of the selected options (if any). The ROM/FASTROM contents are to be sent with the S19 hexadecimal file generated by the development tool. All unused bytes must be set to FFh. Complete the appended ST72324B-Auto Microcontroller FASTROM/ROM Option List on page 185 to communicate the selected options to STMicroelectronics.

Refer to application note AN1635 for information on the counter listing returned by ST after code has been transferred.

The following [Figure 91: ST72P324Bxx-Auto FastROM commercial product structure](#) and [Figure 92: ST72324Bxx-Auto ROM commercial product structure](#) serve as guides for ordering. The STMicroelectronics Sales Organization will be pleased to provide detailed information on contractual points.

**Caution:** The readout protection binary value is inverted between ROM and Flash products. The option byte checksum differs between ROM and Flash.

Figure 91. ST72P324Bxx-Auto FastROM commercial product structure

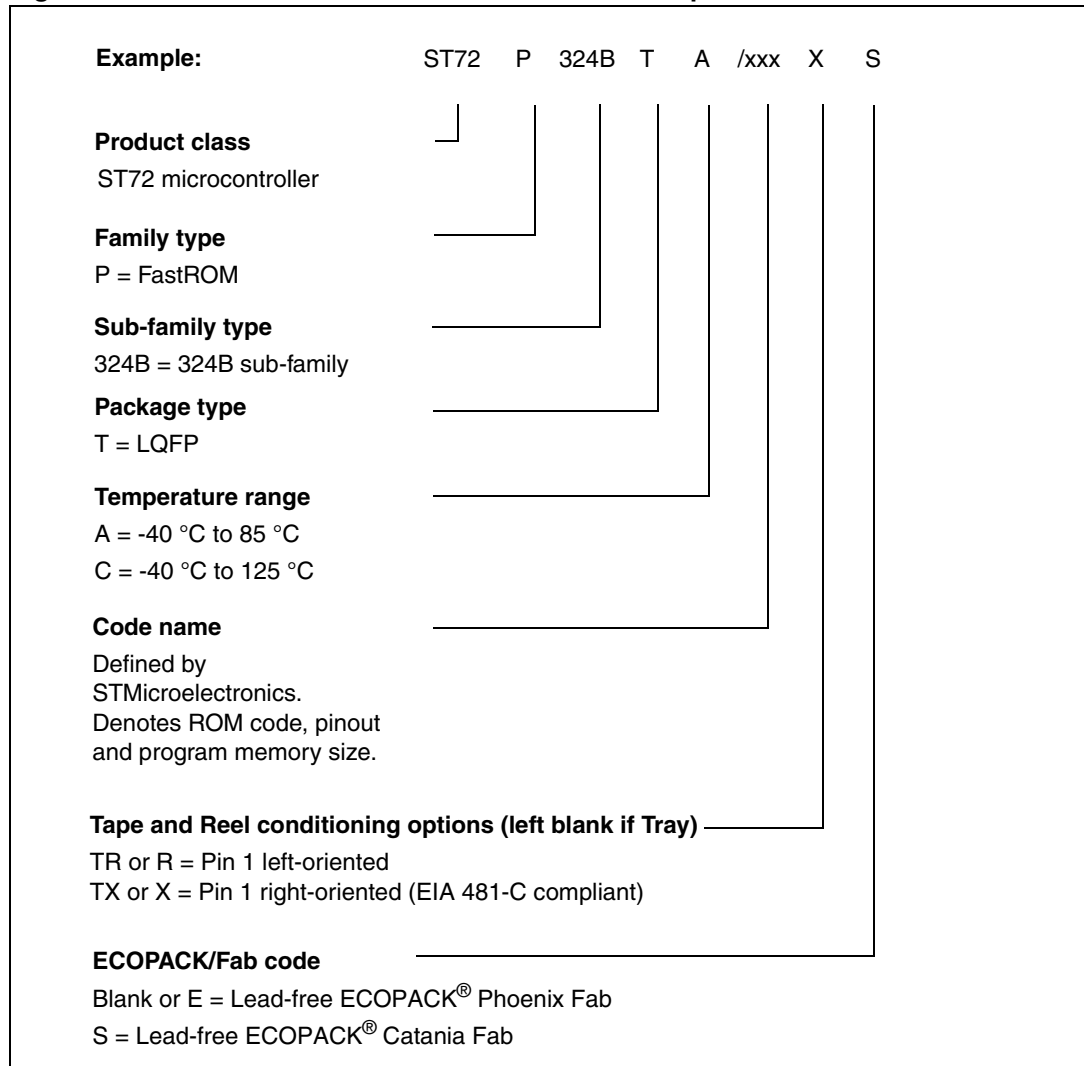
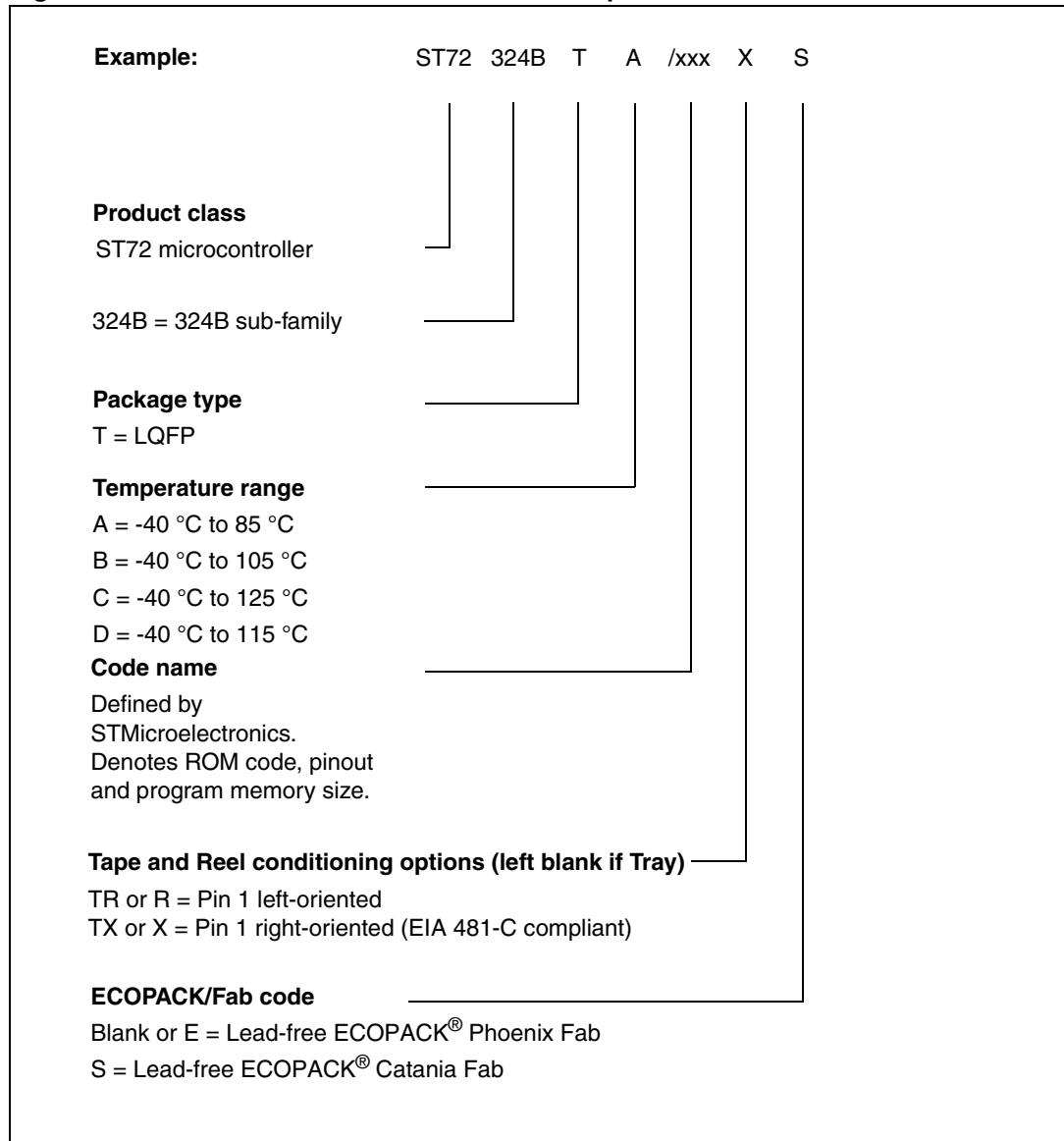




Figure 92. ST72324Bxx-Auto ROM commercial product structure



**ST72324B-Auto Microcontroller FASTROM/ROM Option List**  
(Last update: July 2007)

Customer: .....  
 Address: .....  
 Contact: .....  
 Phone No: .....  
 Reference: .....

The FASTROM/ROM code name is assigned by STMicroelectronics.  
 FASTROM/ROM code must be sent in .S19 format. .Hex extension cannot be processed.

Device Type/Memory Size/Package (check only one option):

|                 |   |   |   |
|-----------------|---|---|---|
| FASTROM DEVICE: | 32K                                     | 16K                                     | 8K                                      |
| LQFP44 10x10:   | <input type="checkbox"/> ST72P324B(J6)T | <input type="checkbox"/> ST72P324B(J4)T | <input type="checkbox"/> ST72P324B(J2)T |
| LQFP32 7x17:    | <input type="checkbox"/> ST72P324B(K6)T | <input type="checkbox"/> ST72P324B(K4)T | <input type="checkbox"/> ST72P324B(K2)T |

---

|               |  |  |  |
|---------------|--|--|--|
| ROM DEVICE:   | 32K                                    | 16K                                    | 8K                                     |
| LQFP44 10x10: | <input type="checkbox"/> ST72324B(J6)T | <input type="checkbox"/> ST72324B(J4)T | <input type="checkbox"/> ST72324B(J2)T |
| LQFP32 7x7:   | <input type="checkbox"/> ST72324B(K6)T | <input type="checkbox"/> ST72324B(K4)T | <input type="checkbox"/> ST72324B(K2)T |

Conditioning for LQFP package (check only one option):

Tape and Reel       Tray

Temperature range :  A (-40°C to +85°C)  
 B (-40°C to +105°C)  
 C (-40°C to +125°C)  
 D (-40°C to +150°C)

Special Marking:  No       Yes "-----"  
 LQFP32: 7 characters max. Other packages: 10 characters max.  
 Authorized characters are letters, digits, '-', '/', and spaces only.

Clock Source Selection:  Resonator:  
 LP: Low power resonator (1 to 2 MHz)  
 MP: Medium power resonator (2 to 4 MHz)  
 MS: Medium speed resonator (4 to 8 MHz)  
 HS: High speed resonator (8 to 16 MHz)  
 Internal RC  
 External clock (sets MP medium power resonator in option byte)

PLL <sup>(1)(2)</sup>  Disabled       Enabled

LVD reset  Disabled       High threshold  
 Medium threshold       Low threshold

Reset delay  256 cycles       4096 cycles

Watchdog selection  Software activation       Hardware activation

Halt when Watchdog on  Reset       No reset

Readout protection  Disabled       Enabled

Date .....      Signature .....

1. PLL must be disabled if internal RC network is selected.  
 2. The PLL can be enabled only if the resonator is configured to "Medium power: 2~4 MHz".

**CAUTION:** The readout protection binary value is inverted between ROM and Flash products. The option byte checksum will differ between ROM and Flash.



## 14.3 Development tools

### 14.3.1 Introduction

Development tools for the ST7 microcontrollers include a complete range of hardware systems and software tools from STMicroelectronics and third-party tool suppliers. The range of tools includes solutions to help you evaluate microcontroller peripherals, develop and debug your application, and program your microcontrollers.

### 14.3.2 Evaluation tools and starter kits

ST offers complete, affordable **starter kits** and full-featured **evaluation boards** that allow you to evaluate microcontroller features and quickly start developing ST7 applications. Starter kits are complete, affordable hardware/software tool packages that include features and samples to help you quickly start developing your application. ST evaluation boards are open-design, embedded systems, which are developed and documented to serve as references for your application design. They include sample application software to help you demonstrate, learn about and implement your ST7's features.

### 14.3.3 Development and debugging tools

Application development for ST7 is supported by fully optimizing **C Compilers** and the **ST7 Assembler-Linker** toolchain, which are all seamlessly integrated in the ST7 integrated development environments in order to facilitate the debugging and fine-tuning of your application. The Cosmic C Compiler is available in a free version that outputs up to 16 Kbytes of code.

The range of hardware tools includes cost effective ST7-DVP3 series emulators. These tools are supported by the ST7 Toolset from STMicroelectronics, which includes the STVD7 integrated development environment (IDE) with high-level language debugger, editor, project manager and integrated programming interface.

### 14.3.4 Programming tools

During the development cycle, the ST7-DVP3 and ST7-EMU3 series emulators and the RLink provide in-circuit programming capability for programming the Flash microcontroller on your application board.

ST also provides dedicated a low-cost dedicated in-circuit programmer, the ST7-STICK, as well as ST7 socket boards which provide all the sockets required for programming any of the devices in a specific ST7 subfamily on a platform that can be used with any tool with in-circuit programming capability for ST7.

For production programming of ST7 devices, ST's third-party tool partners also provide a complete range of gang and automated programming solutions, which are ready to integrate into your production environment.

For additional ordering codes for spare parts, accessories and tools available for the ST7 (including from third party manufacturers), refer to the online product selector at [www.st.com/mcu](http://www.st.com/mcu).

**Table 120. STMicroelectronics development tools**

| Supported products       | Emulation       |                  |                 |                      | Programming                |
|--------------------------|-----------------|------------------|-----------------|----------------------|----------------------------|
|                          | ST7 DVP3 series |                  | ST7 EMU3 series |                      | ICC socket board           |
|                          | Emulator        | Connection kit   | Emulator        | Active probe and TEB |                            |
| ST72324BJ,<br>ST72F324BJ | ST7MDT20-DVP3   | ST7MDT20-T44/DVP | ST7MDT20J-EMU3  | ST7MDT20J-TEB        | ST7SB20J/xx <sup>(1)</sup> |
| ST72324BK,<br>ST72F324BK |                 | ST7MDT20-T32/DVP |                 |                      |                            |

1. Add suffix /EU, /UK, /US for the power supply of your region.

### 14.3.5 Socket and emulator adapter information

For information on the type of socket that is supplied with the emulator, refer to the suggested list of sockets in [Table 121](#).

*Note:* Before designing the board layout, it is recommended to check the overall dimensions of the socket as they may be greater than the dimensions of the device.

For footprint and other mechanical information about these sockets and adapters, refer to the manufacturer’s datasheet ([www.yamaichi.de](http://www.yamaichi.de) for LQFP44 10x10 and [www.ironwoodelectronics.com](http://www.ironwoodelectronics.com) for LQFP32 7x7).

**Table 121. Suggested list of socket types**

| Device       | Socket<br>(supplied with ST7MDT20J-EMU3) | Emulator adapter<br>(supplied with ST7MDT20J-EMU3) |
|--------------|--|--|
| LQFP32 7X7   | IRONWOOD SF-QFE32SA-L-01                 | IRONWOOD SK-UGA06/32A-01                           |
| LQFP44 10X10 | YAMAICHI IC149-044-*52-*5                | YAMAICHI ICP-044-5                                 |

## 14.4 ST7 Application notes

All relevant ST7 application notes can be found on [www.st.com](http://www.st.com).

## 15 Known limitations

### 15.1 All Flash and ROM devices

#### 15.1.1 Safe connection of OSC1/OSC2 pins

The OSC1 and/or OSC2 pins must not be left unconnected, otherwise the ST7 main oscillator may start and, in this configuration, could generate an  $f_{OSC}$  clock frequency in excess of the allowed maximum ( $> 16$  MHz), putting the ST7 in an unsafe/undefined state. Refer to [Section 6.3 on page 32](#).

#### 15.1.2 External interrupt missed

To avoid any risk of generating a parasitic interrupt, the edge detector is automatically disabled for one clock cycle during an access to either DDR and OR. Any input signal edge during this period will not be detected and will not generate an interrupt.

This case can typically occur if the application refreshes the port configuration registers at intervals during runtime.

##### Workaround

The workaround is based on software checking the level on the interrupt pin before and after writing to the PxOR or PxDDR registers. If there is a level change (depending on the sensitivity programmed for this pin) the interrupt routine is invoked using the call instruction with three extra PUSH instructions before executing the interrupt routine (this is to make the call compatible with the IRET instruction at the end of the interrupt service routine).

But detection of the level change does not make sure that edge occurs during the critical one cycle duration and the interrupt has been missed. This may lead to occurrence of same interrupt twice (one hardware and another with software call).

To avoid this, a semaphore is set to '1' before checking the level change. The semaphore is changed to level '0' inside the interrupt routine. When a level change is detected, the semaphore status is checked and if it is '1' this means that the last interrupt has been missed. In this case, the interrupt routine is invoked with the call instruction.

There is another possible case that is, if writing to PxOR or PxDDR is done with global interrupts disabled (interrupt mask bit set). In this case, the semaphore is changed to '1' when the level change is detected. Detecting a missed interrupt is done after the global interrupts are enabled (interrupt mask bit reset) and by checking the status of the semaphore. If it is '1' this means that the last interrupt was missed and the interrupt routine is invoked with the call instruction.

To implement the workaround, the following software sequence is to be followed for writing into the PxOR/PxDDR registers. The example is for Port PF1 with falling edge interrupt sensitivity. The software sequence is given for both cases (global interrupt disabled/enabled).

**Case 1: Writing to PxOR or PxDDR with global interrupts enabled:**

```

LD A,#01
LD sema,A; set the semaphore to '1'
LD A,PFDR
AND A,#02
LD X,A; store the level before writing to PxOR/PxDDR
LD A,#$90
LD PFDDR,A ; Write to PFDDR
LD A,#$ff
LD PFOR,A ; Write to PFOR
LD A,PFDR
AND A,#02
LD Y,A; store the level after writing to PxOR/PxDDR
LD A,X; check for falling edge
cp A,#02
jrne OUT
TNZ Y
jrne OUT
LD A,sema ; check the semaphore status if edge is detected
CP A,#01
jrne OUT
call call_routine ; call the interrupt routine
OUT:LD A,#00
LD sema,A
.call_routine ; entry to call_routine
PUSH A
PUSH X
PUSH CC
.ext1_rt ; entry to interrupt routine
LD A,#00
LD sema,A
IRET

```

**Case 2: Writing to PxOR or PxDDR with global interrupts disabled:**

```

SIM ; set the interrupt mask
LD A,PFDR
AND A,#$02
LD X,A ; store the level before writing to PxOR/PxDDR
LD A,#$90
LD PFDDR,A ; Write into PFDDR
LD A,#$ff
LD PFOR,A ; Write to PFOR
LD A,PFDR
AND A,#$02
LD Y,A ; store the level after writing to PxOR/PxDDR
LD A,X ; check for falling edge
cp A,#$02
jrne OUT
TNZ Y
jrne OUT
LD A,#$01
LD sema,A ; set the semaphore to '1' if edge is detected

```

```
RIM ; reset the interrupt mask
LD A,sema ; check the semaphore status
CP A,#$01
jrne OUT
call call_routine ; call the interrupt routine
RIM
OUT:RIM
JP while_loop
.call_routine ; entry to call_routine
PUSH A
PUSH X
PUSH CC
.ext1_rt ; entry to interrupt routine
LD A,#$00
LD sema,A
IRET
```

### 15.1.3 Unexpected reset fetch

If an interrupt request occurs while a “POP CC” instruction is executed, the interrupt controller does not recognize the source of the interrupt and, by default, passes the reset vector address to the CPU.

#### Workaround

To solve this issue, a “POP CC” instruction must always be preceded by a “SIM” instruction.

### 15.1.4 Clearing active interrupts outside interrupt routine

When an active interrupt request occurs at the same time as the related flag is being cleared, an unwanted reset may occur.

*Note:* Clearing the related interrupt mask will not generate an unwanted reset.

#### Concurrent interrupt context

The symptom does not occur when the interrupts are handled normally, that is, when:

- The interrupt flag is cleared within its own interrupt routine
- The interrupt flag is cleared within any interrupt routine
- The interrupt flag is cleared in any part of the code while this interrupt is disabled

If these conditions are not met, the symptom can be avoided by implementing the following sequence:

Perform SIM and RIM operation before and after resetting an active interrupt request.

Example:

- SIM
- Reset interrupt flag
- RIM

### Nested interrupt context

The symptom does not occur when the interrupts are handled normally, that is, when:

- The interrupt flag is cleared within its own interrupt routine
- The interrupt flag is cleared within any interrupt routine with higher or identical priority level
- The interrupt flag is cleared in any part of the code while this interrupt is disabled

If these conditions are not met, the symptom can be avoided by implementing the following sequence:

- PUSH CC
- SIM
- Reset interrupt flag
- POP CC

### 15.1.5 16-bit timer PWM mode

In PWM mode, the first PWM pulse is missed after writing the value FFFCh in the OC1R register (OC1HR, OC1LR). It leads to either full or no PWM during a period, depending on the OVLV1 and OVLV2 settings.

### 15.1.6 TIMD set simultaneously with OC interrupt

If the 16-bit timer is disabled at the same time the output compare event occurs then output compare flag gets locked and cannot be cleared before the timer is enabled again.

#### Impact on the application

If output compare interrupt is enabled, then the output compare flag cannot be cleared in the timer interrupt routine. Consequently the interrupt service routine is called repeatedly.

#### Workaround

Disable the timer interrupt before disabling the timer. Again while enabling, first enable the timer then the timer interrupts.

- Perform the following to disable the timer:
  - TACR1 or TBCR1 = 0x00h; // Disable the compare interrupt
  - TACSR I or TBCSR I = 0x40; // Disable the timer
- Perform the following to enable the timer again:
  - TACSR & or TBCSR & = ~0x40; // Enable the timer
  - TACR1 or TBCR1 = 0x40; // Enable the compare interrupt

### 15.1.7 SCI wrong break duration

#### Description

A single break character is sent by setting and resetting the SBK bit in the SCICR2 register. In some cases, the break character may have a longer duration than expected:

- 20 bits instead of 10 bits if M = 0
- 22 bits instead of 11 bits if M = 1



In the same way, as long as the SBK bit is set, break characters are sent to the TDO pin. This may lead to generate one break more than expected.

#### Occurrence

The occurrence of the problem is random and proportional to the baud rate. With a transmit frequency of 19200 baud ( $f_{CPU} = 8\text{MHz}$  and  $SCIBRR = 0xC9$ ), the wrong break duration occurrence is around 1%.

#### Workaround

If this wrong duration is not compliant with the communication protocol in the application, software can request that an Idle line be generated before the break character. In this case, the break duration is always correct assuming the application is not doing anything between the idle and the break. This can be ensured by temporarily disabling interrupts.

The exact sequence is:

1. Disable interrupts
2. Reset and set TE (IDLE request)
3. Set and reset SBK (break request)
4. Re-enable interrupts

## 15.2 8/16 Kbyte Flash devices only

### 15.2.1 39-pulse ICC entry mode

ICC mode entry using ST7 application clock (39 pulses) is not supported. External clock mode must be used (36 pulses). Refer to the *ST7 Flash Programming Reference Manual*.

### 15.2.2 Negative current injection on pin PB0

Negative current injection on pin PB0 degrades the performance of the device and is not allowed on this pin.

## 15.3 8/16 Kbyte ROM devices only

### 15.3.1 Readout protection with LVD

Readout protection is not supported if the LVD is enabled.

### 15.3.2 I/O Port A and F configuration

When using an external quartz crystal or ceramic resonator, a few  $f_{OSC2}$  clock periods may be lost when the signal pattern in [Table 122](#) occurs. This is because this pattern causes the device to enter test mode and return to user mode after a few clock periods. User program execution and I/O status are not changed, only a few clock cycles are lost.

This happens with either one of the following configurations

- PA3 = 0, PF4 = 1, PF1 = 0 while PLL option is disabled and PF0 is toggling
- PA3 = 0, PF4 = 1, PF1 = 0, PF0 = 1 while PLL option is enabled

This is detailed in [Table 122](#)

**Table 122. Port A and F configuration**

| PLL | PA3 | PF4 | PF1 | PF0      | Clock disturbance   |
|-----|-----|-----|-----|----------|---|
| Off | 0   | 1   | 0   | Toggling | Maximum 2 clock cycles lost at each rising or falling edge of PF0 |
| On  | 0   | 1   | 0   | 1        | Maximum 1 clock cycle lost out of every 16                        |

As a consequence, for cycle-accurate operations, these configurations are prohibited in either input or output mode.

**Workaround**

To avoid this from occurring, it is recommended to connect one of these pins to GND (PF4 or PF0) or V<sub>DD</sub> (PA3 or PF1).

# 16 Revision history

**Table 123. Document revision history**

| Date        | Revision | Changes  |
|-------------|----------|--|
| 23-May-2007 | 1        | Initial release  |
| 23-Jul-2007 | 2        | <p>Replaced ST72324B-Auto with ST72324Bxx-Auto in document title on cover page.</p> <p><a href="#">1 analog peripheral (low current coupling) on page 1</a>: Replaced '12 robust input ports' with '12 input ports'</p> <p><a href="#">Table 1: Device summary on page 1</a>: Corrected order of listed packages</p> <p>Added <a href="#">Section 1.2: Differences between ST72324B-Auto and ST72324B datasheets on page 16</a></p> <p><a href="#">Figure 2: 44-pin LQFP package pinout on page 17</a>: Displayed port numbers for pins 18 and 20 (port numbers were hidden due to formatting error)</p> <p><a href="#">Table 2: Device pin description on page 18</a>:</p> <ul style="list-style-type: none"> <li>- replaced V<sub>DDA</sub> with V<sub>REF</sub> in <a href="#">Note 1</a></li> <li>- modified <a href="#">Note 2</a></li> </ul> <p><a href="#">Section 5.3.4: Condition Code register (CC) on page 29</a>: Replaced IxSPR with ISPRx</p> <p><a href="#">Section 9.5.1: I/O port implementation on page 65</a>: Removed following tables:</p> <ul style="list-style-type: none"> <li>- Standard ports PA5:4, PC7:0, PD5:0, PE1:0, PF7:6, 4</li> <li>- Interrupt ports PB4, PB2:0, PF2:0 (with pull-up)</li> <li>- Interrupt ports PA3, PB3 (without pull-up)</li> <li>- <a href="#">True open drain ports PA7:6</a> (configurations in these four tables already exist in <a href="#">Table 32: Port configuration</a>)</li> </ul> <p><a href="#">Section 12.6.3: Crystal and ceramic resonator oscillators</a>: Replaced two tables <a href="#">Crystal and ceramic resonator oscillators (8/16K Flash and ROM devices)</a> and <a href="#">Crystal and ceramic resonator oscillators (32 Kbyte Flash and ROM devices)</a> with single <a href="#">Table 95: Crystal and ceramic resonator oscillators on page 156</a></p> <p><a href="#">Table 96: OSC RANGE selection for typical resonators on page 157</a>: Deleted footnote detailing SMD and LEAD which was linked to 'Reference' column header</p> <p><a href="#">Table 102: EMI emissions on page 161</a>:</p> <ul style="list-style-type: none"> <li>- added LQFP32 package to all listed devices</li> <li>- changed values for 32 Kbyte ROM devices</li> </ul> <p><a href="#">Table 105: General characteristics on page 163</a>:</p> <ul style="list-style-type: none"> <li>- modified <a href="#">Note 5</a></li> <li>- modified <a href="#">Note 6</a></li> </ul> <p><a href="#">Figure 76: RESET pin protection when LVD is enabled(1)(2)(3)(4)(5)(6) on page 168</a>: Replaced 'MW' with 'M ohm' in footnotes to correct formatting error</p> <p><a href="#">Table 111: 10-bit ADC characteristics on page 172</a>: Modified input current leakage parameter and added <a href="#">Note 2</a></p> <p><a href="#">Table 112: ADC accuracy on page 175</a>:</p> <ul style="list-style-type: none"> <li>- added conditions to total unadjusted error, to offset error and to gain error</li> <li>- modified <a href="#">Note 2</a></li> </ul> |

**Table 123. Document revision history (continued)**

| Date        | Revision      | Changes  |
|-------------|---------------|--|
| 23-Jul-2007 | 2<br>(cont'd) | <p><i>Table 121: Flash user programmable device types on page 189:</i></p> <ul style="list-style-type: none"> <li>- added footnote to order code column</li> <li>- modified order codes</li> <li>- replaced R with TR for tape and reel in order codes</li> </ul> <p><i>Figure 89: Flash commercial product code structure on page 183:</i></p> <ul style="list-style-type: none"> <li>- replaced R with TR for tape and reel</li> <li>- changed presentation of temperature ranges</li> </ul> <p><i>Section 14.2: ROM device ordering information and transfer of customer code on page 184:</i> Added links to option list, to <i>Table 122</i> and to <i>Table 123</i></p> <p><i>Table 122: FASTROM factory coded device types on page 191:</i></p> <ul style="list-style-type: none"> <li>- added footnote to order code column</li> <li>- modified order codes</li> </ul> <p><i>Figure 90: FASTROM commercial product code structure on page 184:</i> Changed presentation of temperature ranges</p> <p><i>Table 123: ROM factory coded device types on page 192:</i></p> <ul style="list-style-type: none"> <li>- added footnote to order code column</li> <li>- modified order codes</li> </ul> <p><i>Figure 91: ROM commercial product code structure on page 184: s</i></p> <ul style="list-style-type: none"> <li>- changed title</li> <li>- changed presentation of temperature range</li> </ul> <p><i>ST72324B-Auto Microcontroller FASTROM/ROM Option List on page 185:</i></p> <ul style="list-style-type: none"> <li>- replaced ST72324B with ST72324B-Auto in title</li> <li>- grouped device code characters defining pinout and memory size in parentheses</li> <li>- modified special marking max characters allowed</li> </ul> |
| 10-Jun-2010 | 3             | <p>Removed section covering differences between automotive and standard devices.</p> <p><i>Table 86: Operating conditions on page 148:</i></p> <ul style="list-style-type: none"> <li>-added D temperature range</li> </ul> <p><i>Section 12.8.3: Absolute maximum ratings (electrical sensitivity) on page 160</i></p> <ul style="list-style-type: none"> <li>- standard microcontrollers: HB and CDM models specified only</li> <li>- automotive microcontrollers: plus an additional test of MM</li> </ul> <p><i>Figure 90: ST72F324Bxx-Auto Flash commercial product structure on page 182 and Figure 91: ST72P324Bxx-Auto FastROM commercial product structure on page 184:</i></p> <ul style="list-style-type: none"> <li>- modified figure to reflect leadfree package in Catania (from E to S).</li> <li>- modified tape and reel symbol from R to X or TX.</li> </ul> <p>-Table 121.Flash user programmable device removed.</p> <p>-Table 122.FASTROM factory coded device removed.</p> <p><i>Figure 92: ST72324Bxx-Auto ROM commercial product structure on page 185:</i></p> <ul style="list-style-type: none"> <li>- modified figure to reflect leadfree package in Catania (from E to S).</li> <li>- modified tape and reel symbol from R to X or TX.</li> <li>- added D temperature range.</li> </ul> <p>-Table 123.ROM factory coded device removed.</p> <p>Option List ordering sheet: added D temperature range</p>   |

Table 123. Document revision history (continued)

| Date        | Revision | Changes   |
|-------------|----------|---|
| 12-Jul-2010 | 4        | Added <a href="#">Section 13.5 on page 178</a><br>Updated <a href="#">Figure 90: ST72F324Bxx-Auto Flash commercial product structure on page 182</a> , <a href="#">Figure 91: ST72P324Bxx-Auto FastROM commercial product structure on page 184</a> and <a href="#">Figure 92: ST72324Bxx-Auto ROM commercial product structure on page 185</a> |

**Please Read Carefully:**

Information in this document is provided solely in connection with ST products. STMicroelectronics NV and its subsidiaries ("ST") reserve the right to make changes, corrections, modifications or improvements, to this document, and the products and services described herein at any time, without notice.

All ST products are sold pursuant to ST's terms and conditions of sale.

Purchasers are solely responsible for the choice, selection and use of the ST products and services described herein, and ST assumes no liability whatsoever relating to the choice, selection or use of the ST products and services described herein.

No license, express or implied, by estoppel or otherwise, to any intellectual property rights is granted under this document. If any part of this document refers to any third party products or services it shall not be deemed a license grant by ST for the use of such third party products or services, or any intellectual property contained therein or considered as a warranty covering the use in any manner whatsoever of such third party products or services or any intellectual property contained therein.

**UNLESS OTHERWISE SET FORTH IN ST'S TERMS AND CONDITIONS OF SALE ST DISCLAIMS ANY EXPRESS OR IMPLIED WARRANTY WITH RESPECT TO THE USE AND/OR SALE OF ST PRODUCTS INCLUDING WITHOUT LIMITATION IMPLIED WARRANTIES OF MERCHANTABILITY, FITNESS FOR A PARTICULAR PURPOSE (AND THEIR EQUIVALENTS UNDER THE LAWS OF ANY JURISDICTION), OR INFRINGEMENT OF ANY PATENT, COPYRIGHT OR OTHER INTELLECTUAL PROPERTY RIGHT.**

**UNLESS EXPRESSLY APPROVED IN WRITING BY AN AUTHORIZED ST REPRESENTATIVE, ST PRODUCTS ARE NOT RECOMMENDED, AUTHORIZED OR WARRANTED FOR USE IN MILITARY, AIR CRAFT, SPACE, LIFE SAVING, OR LIFE SUSTAINING APPLICATIONS, NOR IN PRODUCTS OR SYSTEMS WHERE FAILURE OR MALFUNCTION MAY RESULT IN PERSONAL INJURY, DEATH, OR SEVERE PROPERTY OR ENVIRONMENTAL DAMAGE. ST PRODUCTS WHICH ARE NOT SPECIFIED AS "AUTOMOTIVE GRADE" MAY ONLY BE USED IN AUTOMOTIVE APPLICATIONS AT USER'S OWN RISK.**

Resale of ST products with provisions different from the statements and/or technical features set forth in this document shall immediately void any warranty granted by ST for the ST product or service described herein and shall not create or extend in any manner whatsoever, any liability of ST.

ST and the ST logo are trademarks or registered trademarks of ST in various countries.

Information in this document supersedes and replaces all information previously supplied.

The ST logo is a registered trademark of STMicroelectronics. All other names are the property of their respective owners.

© 2010 STMicroelectronics - All rights reserved

STMicroelectronics group of companies

Australia - Belgium - Brazil - Canada - China - Czech Republic - Finland - France - Germany - Hong Kong - India - Israel - Italy - Japan - Malaysia - Malta - Morocco - Philippines - Singapore - Spain - Sweden - Switzerland - United Kingdom - United States of America

[www.st.com](http://www.st.com)

单击下面可查看定价，库存，交付和生命周期等信息

[>>STMicro\(意法半导体\)](#)