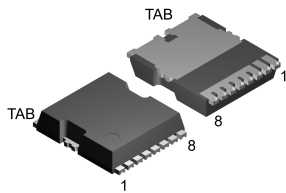
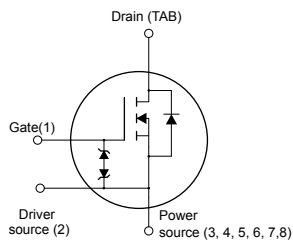


## N-channel 600 V, 70 mΩ typ., 36 A, MDmesh M6 Power MOSFET in a TO-LL package



TO-LL type A



N-chG1DS2PS345678DTABZ

### Features

Order code	$V_{DS}$	$R_{DS(on)}$ max.	$I_D$
STO47N60M6	600 V	80 mΩ	36 A

- Reduced switching losses
- Lower  $R_{DS(on)}$  per area vs previous generation
- Low gate input resistance
- 100% avalanche tested
- Zener-protected
- Excellent switching performance thanks to the extra driving source pin

### Applications

- Switching applications

### Description

The new MDmesh M6 technology incorporates the most recent advancements to the well-known and consolidated MDmesh family of SJ MOSFETs. STMicroelectronics builds on the previous generation of MDmesh devices through its new M6 technology, which combines excellent  $R_{DS(on)}$  per area improvement with one of the most effective switching behaviors available, as well as a user-friendly experience for maximum end-application efficiency.



#### Product status link

[STO47N60M6](#)

#### Product summary

<b>Order code</b>	STO47N60M6
<b>Marking</b>	47N60M6
<b>Package</b>	TO-LL type A
<b>Packing</b>	Tape and reel

# 1 Electrical ratings

**Table 1. Absolute maximum ratings**

Symbol	Parameter	Value	Unit
$V_{GS}$	Gate-source voltage	$\pm 25$	V
$I_D$	Drain current (continuous) at $T_C = 25\text{ }^\circ\text{C}$	36	A
	Drain current (continuous) at $T_C = 100\text{ }^\circ\text{C}$	23	
$I_{DM}^{(1)}$	Drain current (pulsed)	130	A
$P_{TOT}$	Total power dissipation at $T_C = 25\text{ }^\circ\text{C}$	255	W
$dv/dt^{(2)}$	Peak diode recovery voltage slope	15	V/ns
$dv/dt^{(3)}$	MOSFET $dv/dt$ ruggedness	100	V/ns
$T_{stg}$	Storage temperature range	-55 to 150	$^\circ\text{C}$
$T_J$	Operating junction temperature range		$^\circ\text{C}$

1. Pulse width limited by safe operating area.
2.  $I_{SD} \leq 36\text{ A}$ ,  $di/dt \leq 400\text{ A}/\mu\text{s}$ ,  $V_{DS}(\text{peak}) < V_{(BR)DSS}$ ,  $V_{DD} = 400\text{ V}$ .
3.  $V_{DS} \leq 480\text{ V}$ .

**Table 2. Thermal data**

Symbol	Parameter	Value	Unit
$R_{thJC}$	Thermal resistance, junction-to-case	0.49	$^\circ\text{C}/\text{W}$
$R_{thJB}$	Thermal resistance, junction-to-board <sup>(1)</sup>	43	$^\circ\text{C}/\text{W}$
	Thermal resistance, junction-to-board <sup>(2)</sup>	22	

1. When mounted on 1 inch<sup>2</sup> FR-4 pcb, standard footprint 2 Oz copper board.
2. When mounted on 40x40mm FR-4 pcb, 6 cm<sup>2</sup> 2 Oz copper board.

**Table 3. Avalanche characteristics**

Symbol	Parameter	Value	Unit
$I_{AR}$	Avalanche current, repetitive or not repetitive (pulse width limited by $T_J$ max.)	5.3	A
$E_{AS}$	Single pulse avalanche energy (starting $T_J = 25\text{ }^\circ\text{C}$ , $I_D = I_{AR}$ , $V_{DD} = 50\text{ V}$ )	800	mJ

## 2 Electrical characteristics

$T_C = 25\text{ °C}$  unless otherwise specified.

**Table 4. On/off states**

Symbol	Parameter	Test conditions	Min.	Typ.	Max.	Unit
$V_{(BR)DSS}$	Drain-source breakdown voltage	$V_{GS} = 0\text{ V}$ , $I_D = 1\text{ mA}$	600			V
$I_{DSS}$	Zero gate voltage drain current	$V_{GS} = 0\text{ V}$ , $V_{DS} = 600\text{ V}$			1	$\mu\text{A}$
		$V_{GS} = 0\text{ V}$ , $V_{DS} = 600\text{ V}$ , $T_C = 125\text{ °C}^{(1)}$			100	$\mu\text{A}$
$I_{GSS}$	Gate-body leakage current	$V_{DS} = 0\text{ V}$ , $V_{GS} = \pm 25\text{ V}$			$\pm 5$	$\mu\text{A}$
$V_{GS(th)}$	Gate threshold voltage	$V_{DS} = V_{GS}$ , $I_D = 250\text{ }\mu\text{A}$	3.25	4.00	4.75	V
$R_{DS(on)}$	Static drain-source on-resistance	$V_{GS} = 10\text{ V}$ , $I_D = 18\text{ A}$		70	80	m $\Omega$

1. Defined by design, not subject to production test.

**Table 5. Dynamic**

Symbol	Parameter	Test conditions	Min.	Typ.	Max.	Unit
$C_{iss}$	Input capacitance	$V_{DS} = 100\text{ V}$ , $f = 1\text{ MHz}$ , $V_{GS} = 0\text{ V}$	-	2340	-	pF
$C_{oss}$	Output capacitance		-	149	-	pF
$C_{rSS}$	Reverse transfer capacitance		-	3.7	-	pF
$C_{oss\text{ eq.}}^{(1)}$	Equivalent output capacitance	$V_{DS} = 0\text{ to }480\text{ V}$ , $V_{GS} = 0\text{ V}$	-	390	-	pF
$R_G$	Intrinsic gate resistance	$f = 1\text{ MHz}$ , $I_D = 0\text{ A}$	-	1.4	-	$\Omega$
$Q_g$	Total gate charge	$V_{DD} = 480\text{ V}$ , $I_D = 36\text{ A}$ , $V_{GS} = 0\text{ to }10\text{ V}$ (see Figure 14. Test circuit for gate charge behavior)	-	52.2	-	nC
$Q_{gs}$	Gate-source charge		-	16.5	-	nC
$Q_{gd}$	Gate-drain charge		-	23	-	nC

1.  $C_{oss\text{ eq.}}$  is defined as a constant equivalent capacitance giving the same charging time as  $C_{oss}$  when  $V_{DS}$  increases from 0 to 80%  $V_{DSS}$ .

**Table 6. Switching times**

Symbol	Parameter	Test conditions	Min.	Typ.	Max.	Unit
$t_{d(on)}$	Turn-on delay time	$V_{DD} = 300\text{ V}$ , $I_D = 18\text{ A}$ , $R_G = 4.7\text{ }\Omega$ , $V_{GS} = 10\text{ V}$	-	21.5	-	ns
$t_r$	Rise time		-	18.7	-	ns
$t_{d(off)}$	Turn-off delay time	(see Figure 13. Switching times test circuit for resistive load and Figure 18. Switching time waveform)	-	54.6	-	ns
$t_f$	Fall time		-	8.1	-	ns

**Table 7. Source-drain diode**

Symbol	Parameter	Test conditions	Min.	Typ.	Max.	Unit
$I_{SD}$	Source-drain current		-		36	A
$I_{SDM}^{(1)}$	Source-drain current (pulsed)		-		130	A
$V_{SD}^{(2)}$	Forward on voltage	$V_{GS} = 0\text{ V}$ , $I_{SD} = 36\text{ A}$	-		1.6	V
$t_{rr}$	Reverse recovery time	$I_{SD} = 36\text{ A}$ , $di/dt = 100\text{ A}/\mu\text{s}$ ,	-	281		ns
$Q_{rr}$	Reverse recovery charge	$V_{DD} = 60\text{ V}$	-	3.67		$\mu\text{C}$
$I_{RRM}$	Reverse recovery current	(see Figure 15. Test circuit for inductive load switching and diode recovery times)	-	26		A
$t_{rr}$	Reverse recovery time	$I_{SD} = 36\text{ A}$ , $di/dt = 100\text{ A}/\mu\text{s}$ ,	-	424		ns
$Q_{rr}$	Reverse recovery charge	$V_{DD} = 60\text{ V}$ , $T_J = 150\text{ }^\circ\text{C}$	-	7.2		$\mu\text{C}$
$I_{RRM}$	Reverse recovery current	(see Figure 15. Test circuit for inductive load switching and diode recovery times)	-	34		A

1. Pulse width is limited by safe operating area.
2. Pulse test: pulse duration = 300  $\mu\text{s}$ , duty cycle 1.5%.

## 2.1 Electrical characteristics (curves)

Figure 1. Safe operating area

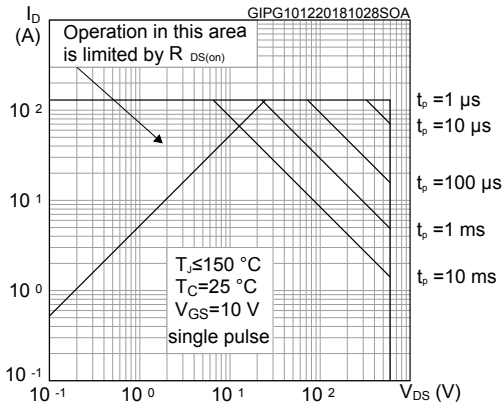


Figure 2. Thermal impedance

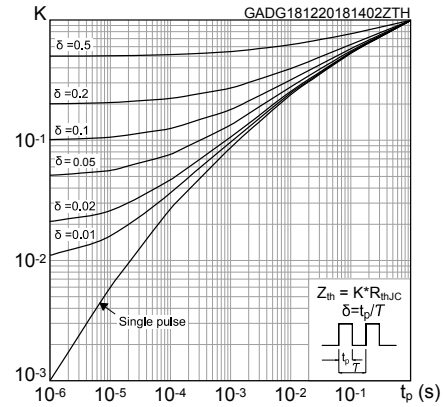


Figure 3. Output characteristics

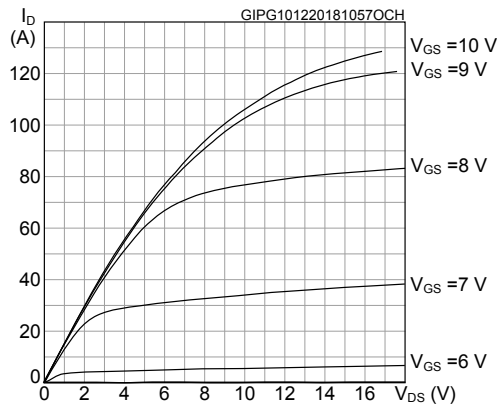


Figure 4. Transfer characteristics

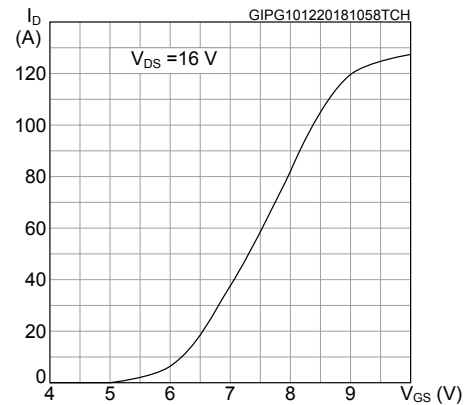


Figure 5. Gate charge vs gate-source voltage

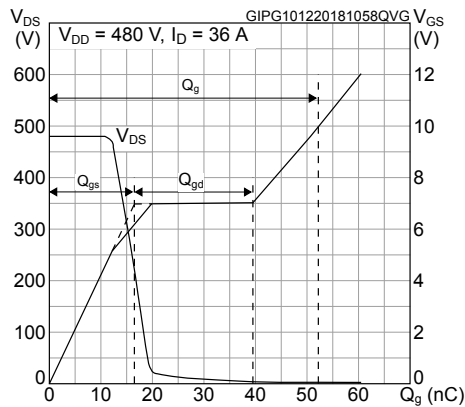
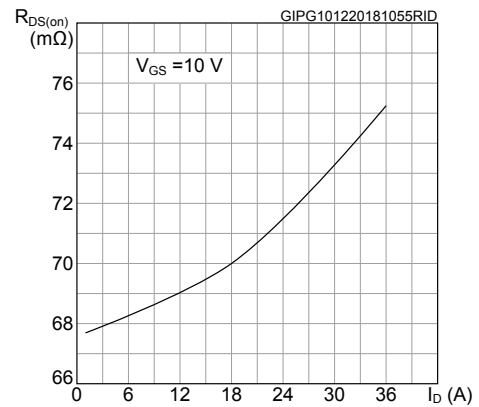
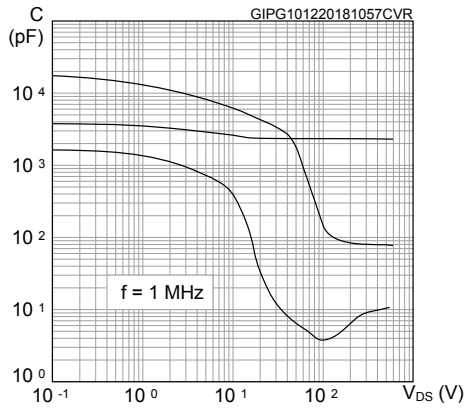


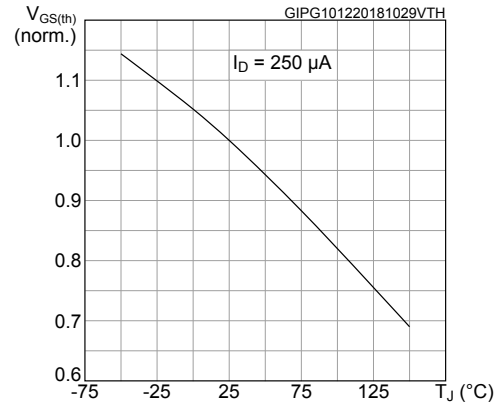
Figure 6. Static drain-source on-resistance



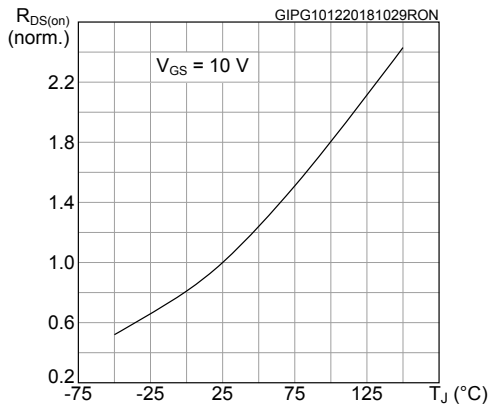
**Figure 7. Capacitance variations**



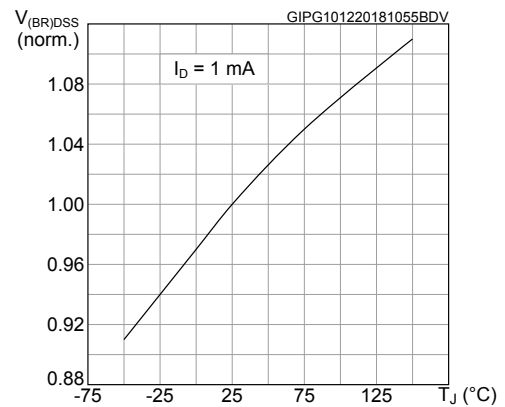
**Figure 8. Normalized gate threshold voltage vs temperature**



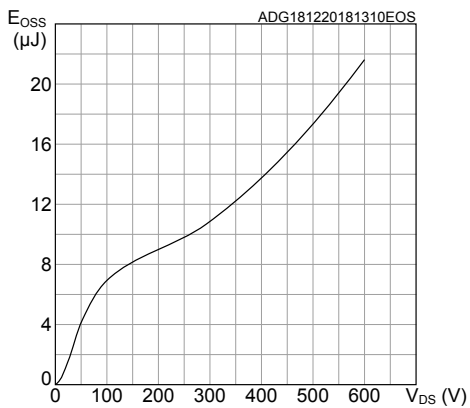
**Figure 9. Normalized on-resistance vs temperature**



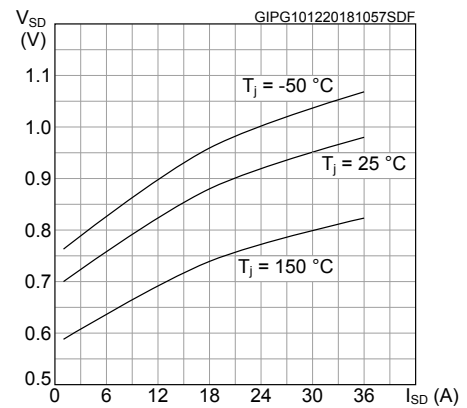
**Figure 10. Normalized V\_(BR)DSS vs temperature**



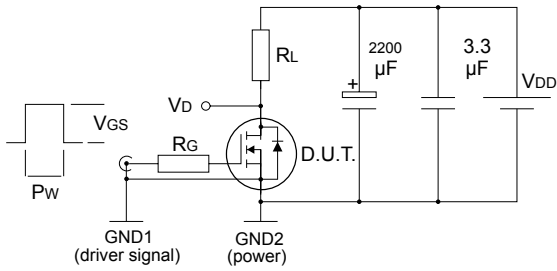
**Figure 11. Output capacitance stored energy**



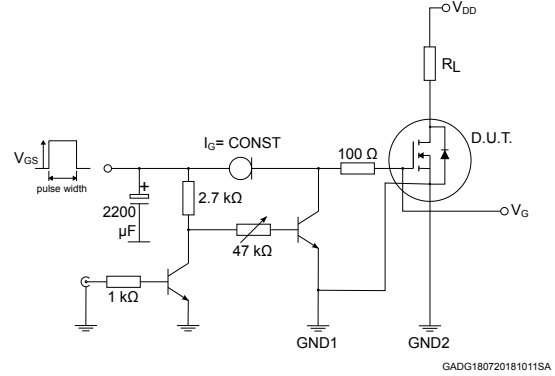
**Figure 12. Source-drain diode forward characteristics**



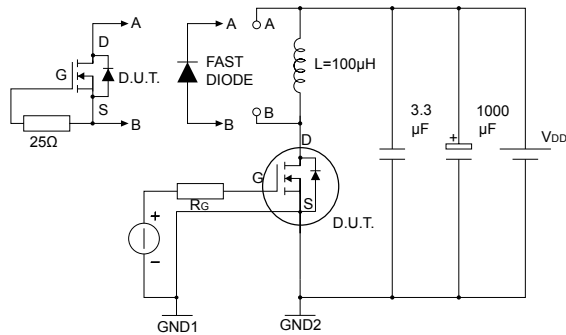
### 3 Test circuits

**Figure 13. Switching times test circuit for resistive load**


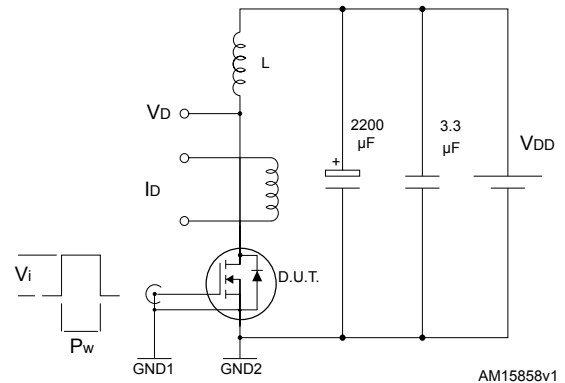
AM15855v1

**Figure 14. Test circuit for gate charge behavior**


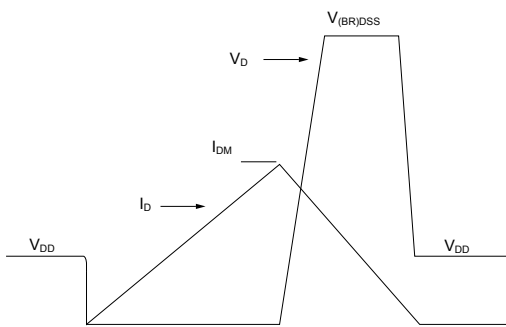
GADG180720181011SA

**Figure 15. Test circuit for inductive load switching and diode recovery times**


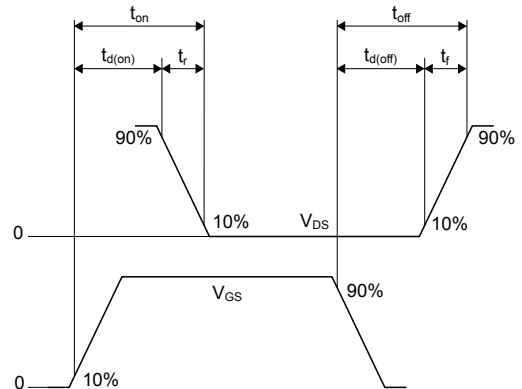
AM15857v1

**Figure 16. Unclamped inductive load test circuit**


AM15858v1

**Figure 17. Unclamped inductive waveform**


AM01472v1

**Figure 18. Switching time waveform**


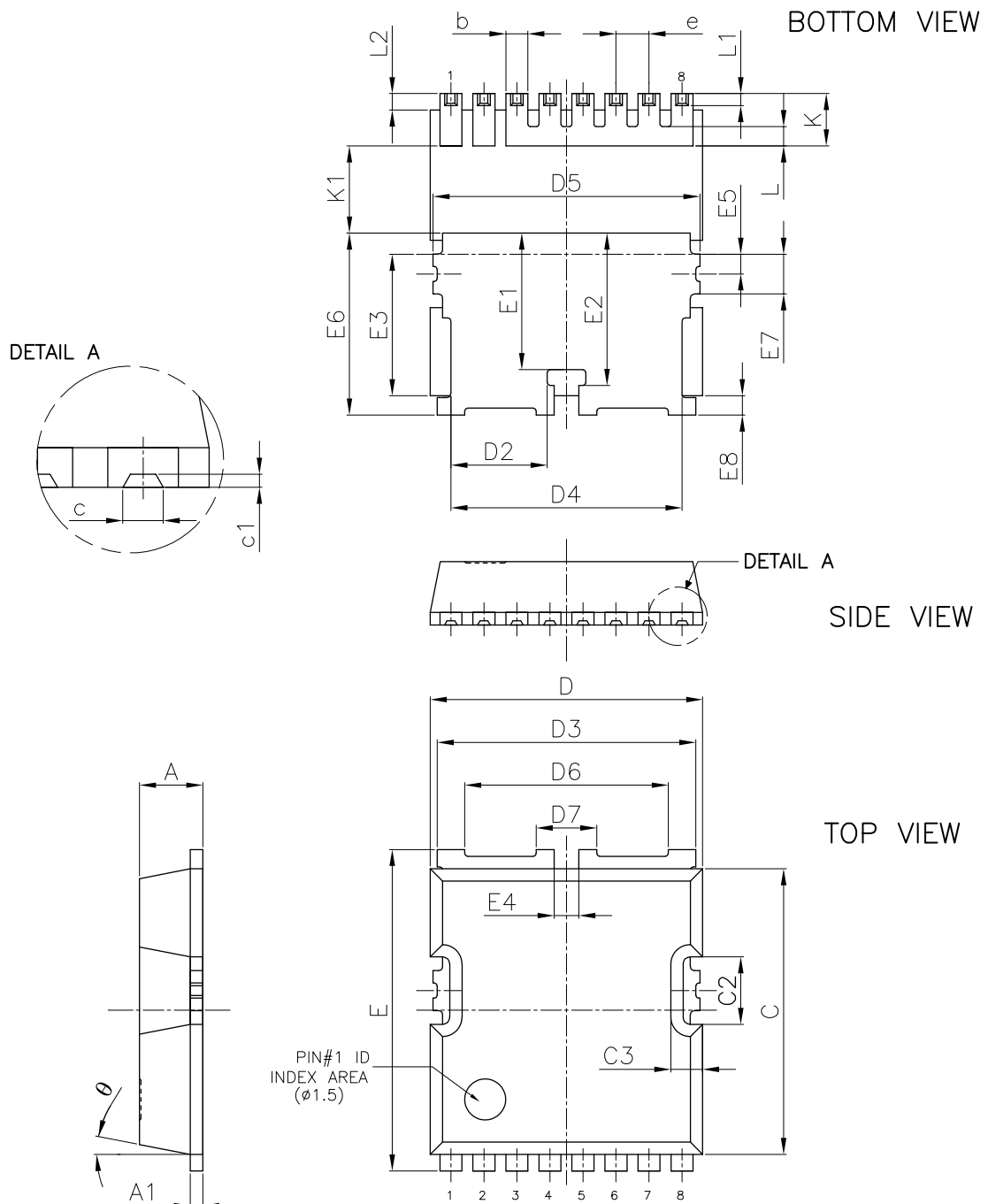
AM01473v1

## 4 Package information

In order to meet environmental requirements, ST offers these devices in different grades of **ECOPACK** packages, depending on their level of environmental compliance. ECOPACK specifications, grade definitions and product status are available at: [www.st.com](http://www.st.com). ECOPACK is an ST trademark.

### 4.1 TO-LL type A package information

Figure 19. TO-LL type A package outline



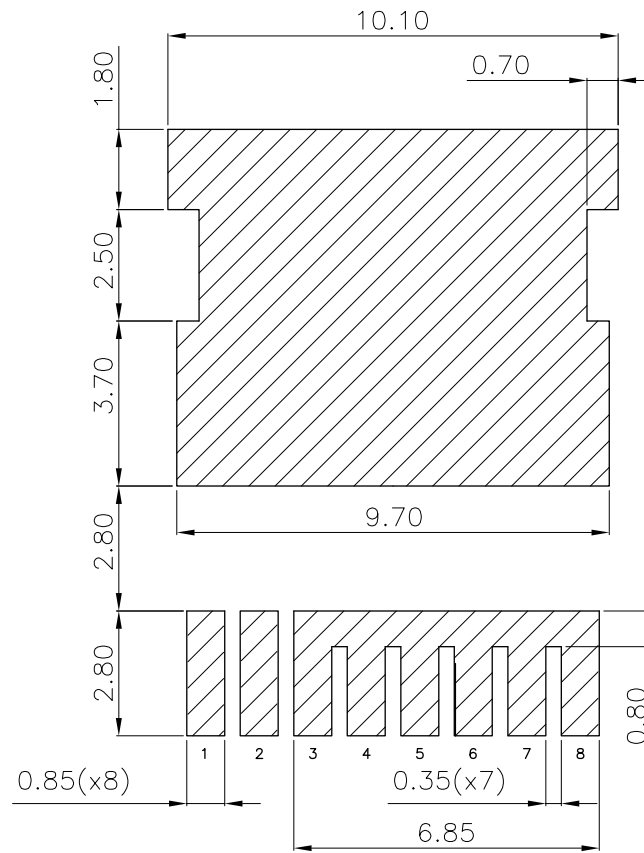
DM00276569\_5\_type\_A



**Table 8. TO-LL type A package mechanical data**

Dim.	mm		
	Min.	Typ.	Max.
A	2.20	2.30	2.40
A1	0.40	0.48	0.60
b	0.70	0.80	0.90
c		0.46	
c1		0.15	
C	10.28	10.38	10.48
C2	2.35	2.45	2.55
C3		1.16	
D	9.80	9.90	10.00
D2	3.30	3.50	3.70
D3	9.30	9.40	9.50
D4	8.20	8.40	8.60
D5	9.50	9.70	9.90
D6		7.40	
D7		2.20	
e		1.20	
E	11.48	11.68	11.88
E1		4.96	
E2		5.54	
E3		5.14	
E4		0.90	
E5		0.72	
E6	6.41	6.61	6.81
E7		1.44	
E8	0.50	0.70	0.90
K	1.70	1.90	2.10
K1	2.70		
L		0.70	
L1		0.44	
L2	0.40	0.60	0.80
θ		11°	

Figure 20. TO-LL type A recommended footprint (dimensions are in mm)



DM00276569\_5\_type\_A\_FP

## 4.2 TO-LL packing information

Figure 21. Carrier tape outline and dimensions

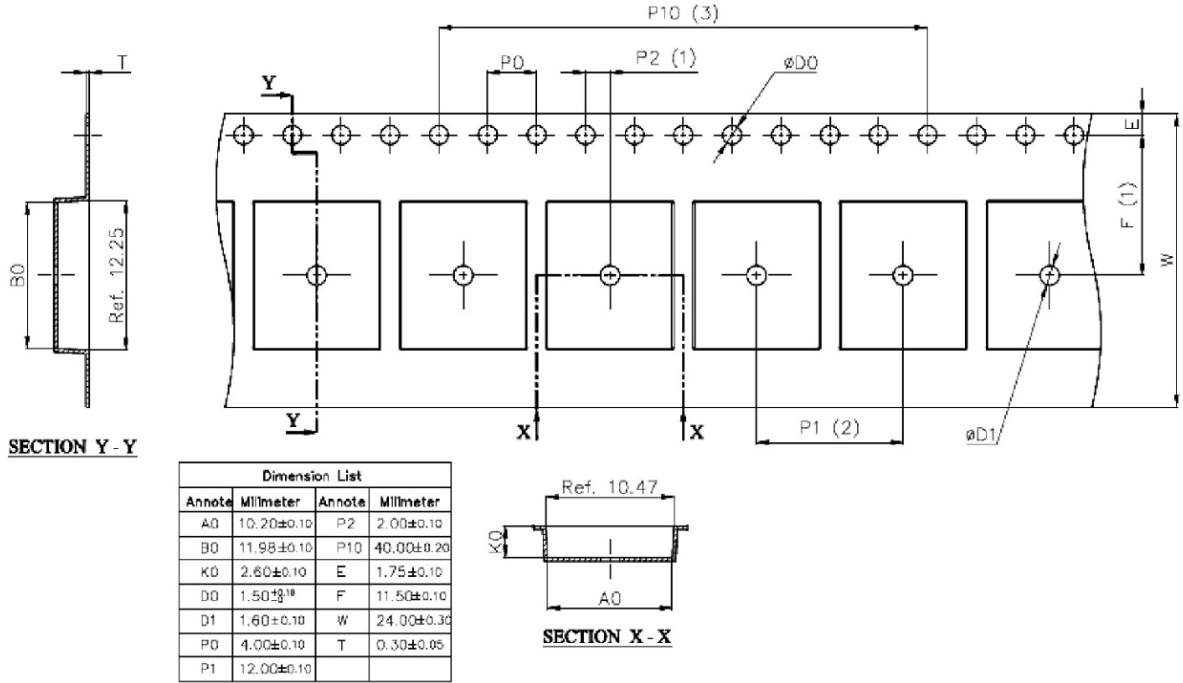
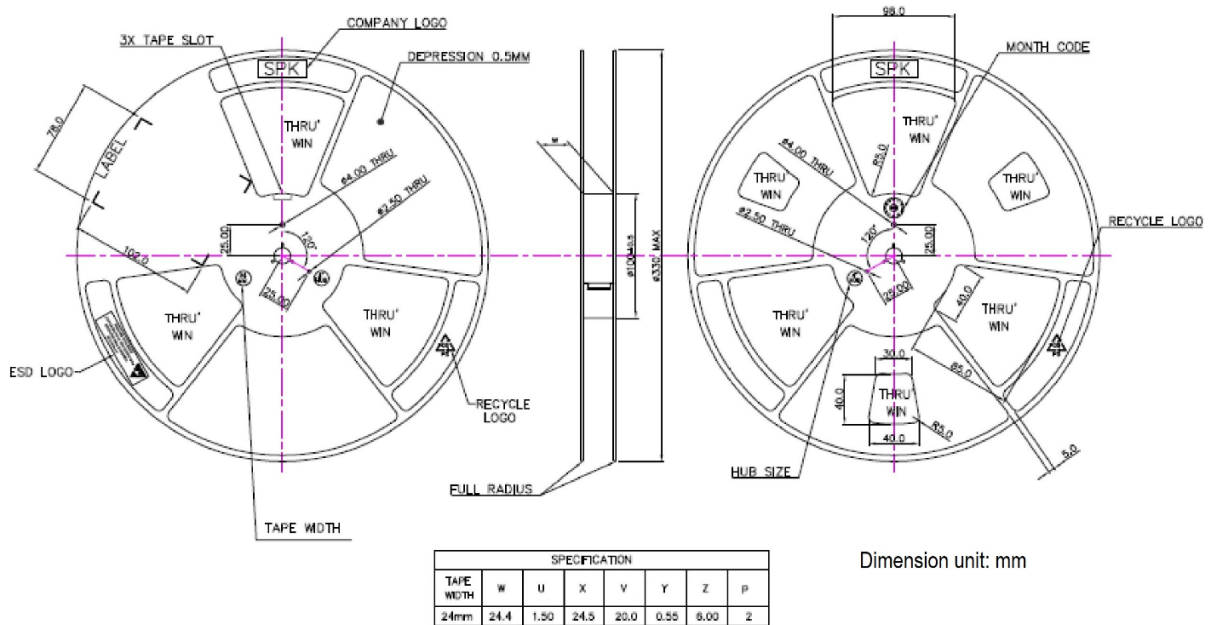
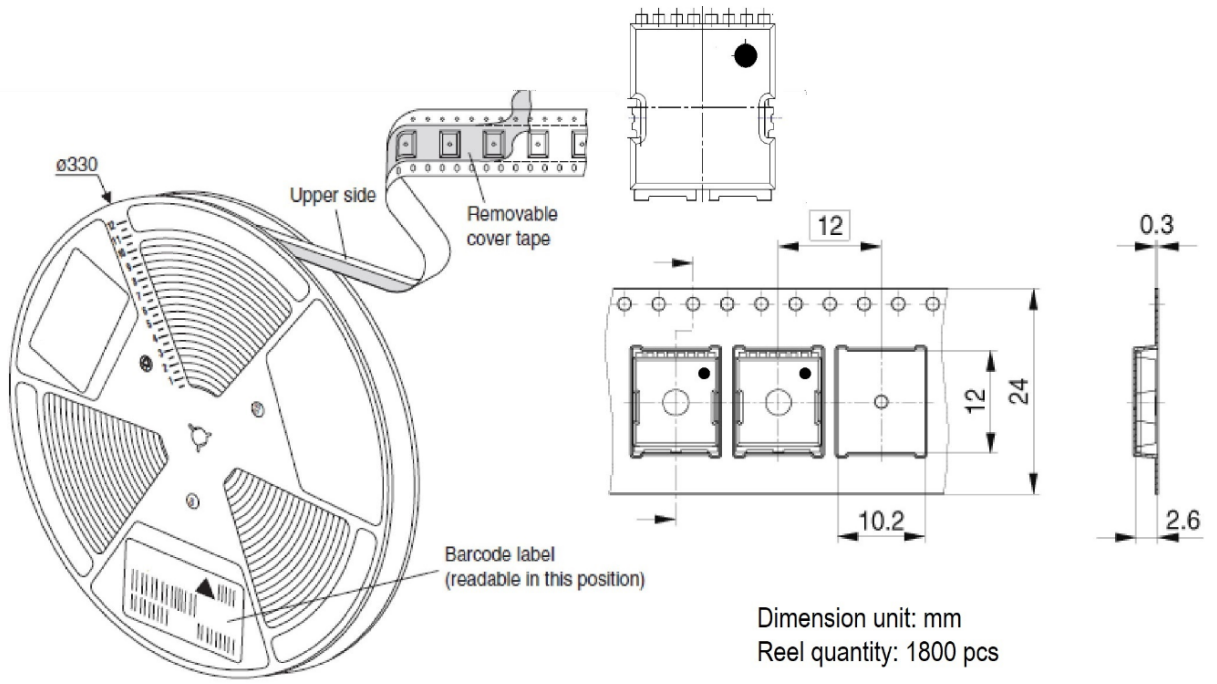


Figure 22. Reel outline and dimensions



**Figure 23. TO-LL orientation in tape pocket**



## Revision history

**Table 9. Document revision history**

Date	Version	Changes
04-Dec-2017	1	First release.
10-Dec-2018	2	Modified <i>Section 1 Electrical ratings</i> and <i>Section 2 Electrical characteristics</i> . Added <i>Section 2.1 Electrical characteristics (curves)</i> . Updated <i>Section 4.1 TO-LL type A package information</i> . Minor text changes.
05-May-2021	3	Updated title and <i>Device summary</i> in cover page. Updated <i>Table 2. Thermal data</i> . Updated <i>Section 4 Package information</i> . Minor text changes.

## Contents

<b>1</b>	<b>Electrical ratings</b> .....	<b>2</b>
<b>2</b>	<b>Electrical characteristics</b> .....	<b>3</b>
<b>2.1</b>	Electrical characteristics (curves) .....	<b>5</b>
<b>3</b>	<b>Test circuits</b> .....	<b>7</b>
<b>4</b>	<b>Package information</b> .....	<b>8</b>
<b>4.1</b>	TO-LL type A package information .....	<b>8</b>
<b>4.2</b>	TO-LL packing information .....	<b>11</b>
	<b>Revision history</b> .....	<b>13</b>

**IMPORTANT NOTICE – PLEASE READ CAREFULLY**

STMicroelectronics NV and its subsidiaries (“ST”) reserve the right to make changes, corrections, enhancements, modifications, and improvements to ST products and/or to this document at any time without notice. Purchasers should obtain the latest relevant information on ST products before placing orders. ST products are sold pursuant to ST’s terms and conditions of sale in place at the time of order acknowledgement.

Purchasers are solely responsible for the choice, selection, and use of ST products and ST assumes no liability for application assistance or the design of Purchasers’ products.

No license, express or implied, to any intellectual property right is granted by ST herein.

Resale of ST products with provisions different from the information set forth herein shall void any warranty granted by ST for such product.

ST and the ST logo are trademarks of ST. For additional information about ST trademarks, please refer to [www.st.com/trademarks](http://www.st.com/trademarks). All other product or service names are the property of their respective owners.

Information in this document supersedes and replaces information previously supplied in any prior versions of this document.

© 2021 STMicroelectronics – All rights reserved

单击下面可查看定价，库存，交付和生命周期等信息

[>>STMicro\(意法半导体\)](#)