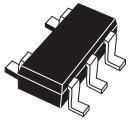
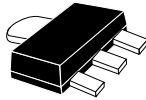


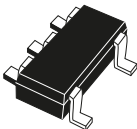
## 200 mA low quiescent current and low noise LDO



SOT23-5L



SOT89



SOT323-5L



DFN6-1.2x1.3

### Features

- Input voltage from 2.5 to 13.2 V
- Very low-dropout voltage (100 mV typ. @ 100 mA load)
- Low quiescent current (typ. 55  $\mu$ A, 1  $\mu$ A in off mode)
- Low noise
- Output voltage tolerance:  $\pm 2.0\%$  @ 25 °C
- 200 mA guaranteed output current
- Wide range of output voltages available on request: fixed from 1.2 V to 12 V with 100 mV step and adjustable
- Logic-controlled electronic shutdown
- Output discharge function
- Compatible with ceramic capacitor  $C_{OUT} = 1 \mu$ F
- Internal current and thermal limit
- Available in SOT23-5L, SOT323-5L, SOT-89 and DFN6-1.2x1.3 packages
- Temperature range: -40 °C to 125 °C

### Applications

- Battery-powered equipment
- TV
- Set-top box
- PC and laptop
- Industrial

Maturity status link

[LDK220](#)

### Description

The **LDK220** is a low drop voltage regulator, which provides a maximum output current of 200 mA from an input voltage in the range of 2.5 V to 13.2 V, with a typical dropout voltage of 100 mV.

A ceramic capacitor stabilizes it on the output.

The very low drop voltage, low quiescent current and low noise make it suitable for battery-powered applications.

The enable logic control function puts the **LDK220** in shutdown mode allowing a total current consumption lower than 1  $\mu$ A.

The device also includes a short-circuit constant current limiting and thermal protection.

# 1 Diagram

Figure 1. Block diagram (fixed version)

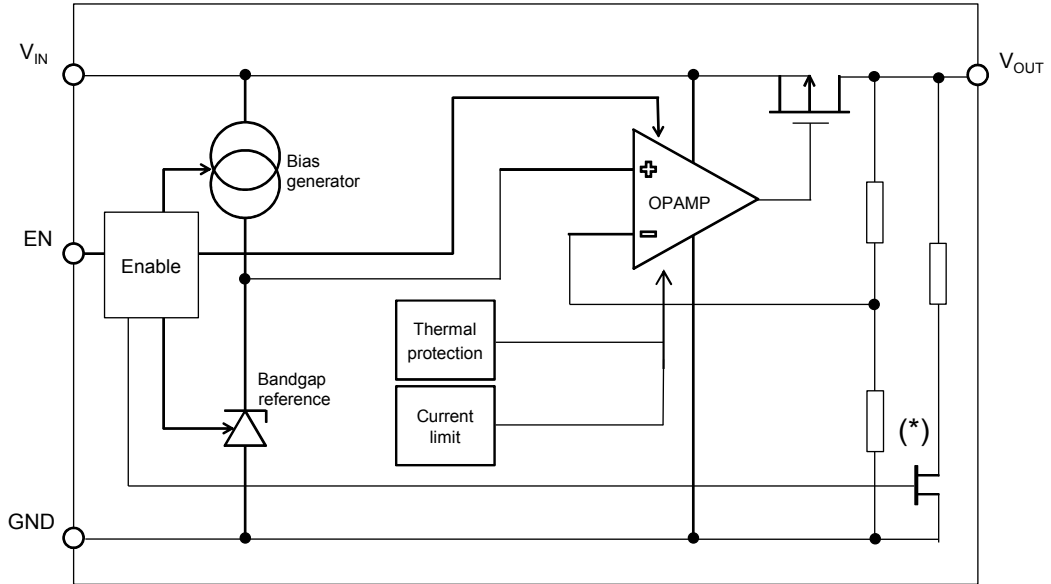
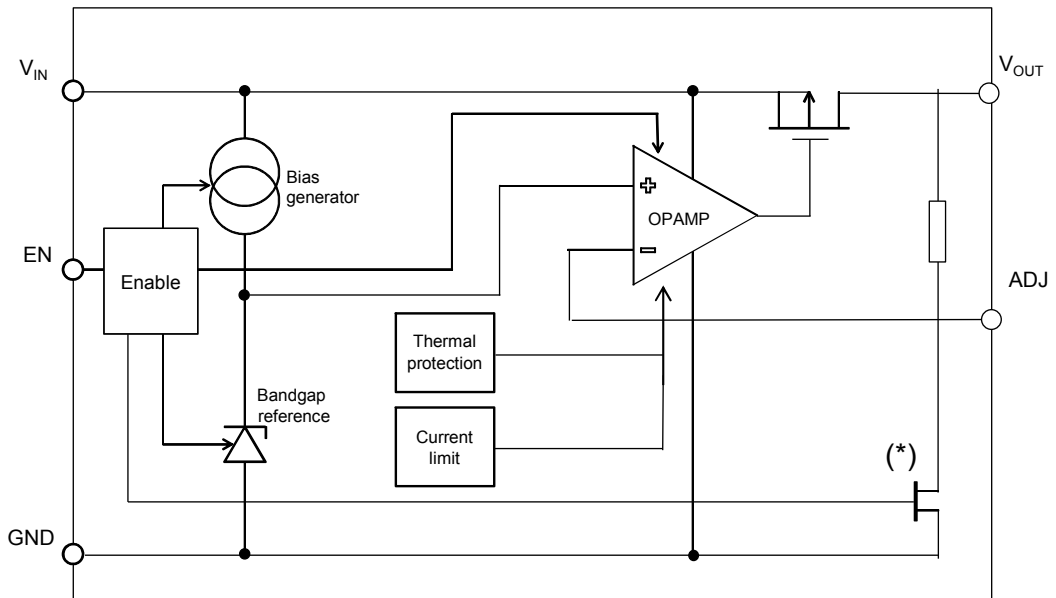
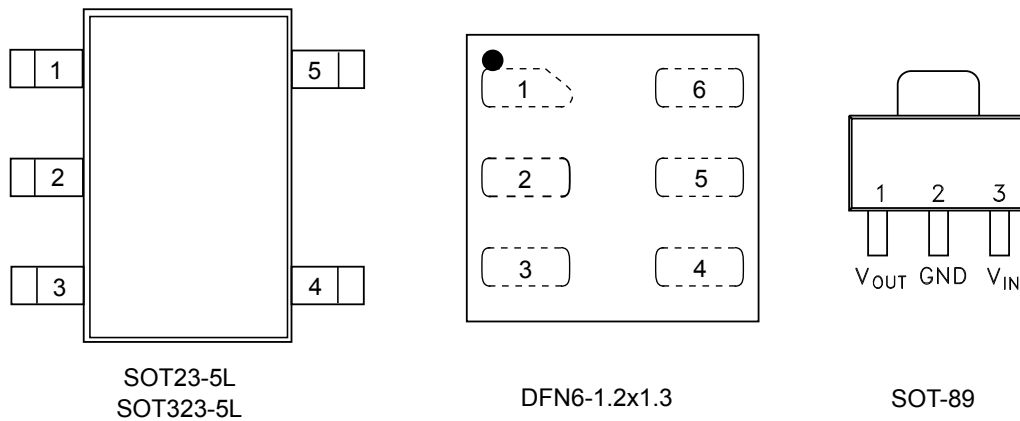


Figure 2. Block diagram (adjustable version)



(\*) The device embeds autodischarge function (active when Enable in low). To avoid damages to the discharge function, we discourage to apply any external voltage to V<sub>OUT</sub> pin when Enable pin is low.

## 2 Pin configuration

**Figure 3. Pin connections (top view)**

**Table 1. Pin description (SOT23-5L, SOT323-5L)**

Pin n°	Symbol	Function
1	IN	Input voltage of the LDO
2	GND	Common ground
3	EN	Enable pin logic input: low = shutdown, high = active. EN cannot be left floating.
4	ADJ/NC	Adjustable pin on ADJ version, not connected on fixed version
5	OUT	Output voltage of the LDO

**Table 2. Pin description (DFN6)**

Pin n°	Symbol	Function
1	OUT	Output voltage of the LDO
2	N/C	Not connected
3	ADJ/NC	Adjustable pin on ADJ version, not connected in fixed version
4	EN	Enable pin logic input: low = shutdown, high = active EN cannot be left floating.
5	GND	Common ground
6	IN	Input voltage of the LDO

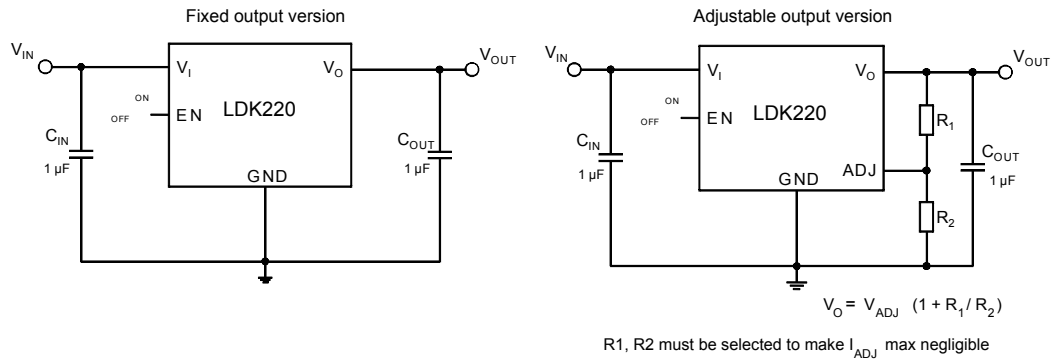
**Table 3. Pin description (SOT-89)**

Pin n° <sup>(1)</sup>	Symbol	Function
1	OUT	Output voltage of the LDO
2	GND	Common ground
3	IN	Input voltage of the LDO

1. Adjustable version and enable pin are not available on the SOT-89 package.

### 3 Typical application

**Figure 4. Typical application circuits**



*Note: Adjustable version and enable pin are not available on the SOT-89 package.*

## 4 Maximum ratings

**Table 4. Absolute maximum ratings**

Symbol	Parameter	Value	Unit
$V_{IN}$	DC input voltage	- 0.3 to 14	V
$V_{OUT}$	DC output voltage	- 0.3 to $V_I + 0.3$	V
$V_{EN}$	Enable input voltage	- 0.3 to $V_I + 0.3$	V
$V_{ADJ}$	ADJ pin voltage	- 0.3 to 2	V
$I_{OUT}$	Output current	Internally limited	mA
$P_D^{(1)}$	Power dissipation	500	mW
$T_{STG}$	Storage temperature range	- 65 to 150	°C
$T_{OP}$	Operating junction temperature range	- 40 to 125	°C

1. Maximum power dissipation has to be calculated taking into account the package thermal performance.

**Note:** Absolute maximum ratings are those values beyond which damage to the device may occur. Functional operation under these conditions is not implied. All values are referred to GND.

**Table 5. Thermal data**

Symbol	Parameter	SOT23-5L	SOT323-5L	SOT-89	DFN-6	Unit
$R_{thJA}$	Thermal resistance junction-ambient	160	246	110	237	°C/W
$R_{thJC}$	Thermal resistance junction-case	68	134	15	104	°C/W

**Note:** JESD 51, 4 LAYERS 2S2P.

## 5 Electrical characteristics

**Table 6.** LDK220 electrical characteristics for fixed output version.  $T_J = 25\text{ °C}$ ,  $V_{IN} = V_{OUT(NOM)} + 1\text{ V}$ ,  $C_{IN} = C_{OUT} = 1\text{ }\mu\text{F}$ ,  $I_{OUT} = 1\text{ mA}$ ,  $V_{EN} = V_{IN}$ , unless otherwise specified.

Symbol	Parameter	Test conditions	Min.	Typ.	Max.	Unit
$V_{IN}$	Operating input voltage		2.5		13.2	V
$V_{OUT}$	$V_{OUT}$ accuracy	$I_{OUT} = 1\text{ mA}$ , $T_J = 25\text{ °C}$	-2		2	%
		$I_{OUT} = 1\text{ mA}$ , $-40\text{ °C} < T_J < 125\text{ °C}$	-3		3	%
$\Delta V_{OUT}$	Static line regulation	$V_{OUT} + 1\text{ V} \leq V_{IN} \leq 13.2\text{ V}$ , $I_{OUT} = 1\text{ mA}$		0.001	0.05	%/V
$\Delta V_{OUT}$	Static load regulation	$I_{OUT} = 1\text{ mA}$ to 200 mA		0.001	0.003	%/mA
$V_{DROP}$	Dropout voltage <sup>(1)</sup>	$I_{OUT} = 100\text{ mA}$ , $V_{OUT} = 3.3\text{ V}$		100		mV
		$I_{OUT} = 200\text{ mA}$ , $V_{OUT} = 3.3\text{ V}$ $40\text{ °C} < T_J < 125\text{ °C}$		200	350	
$e_N$	Output noise voltage	10 Hz to 100 kHz, $I_{OUT} = 10\text{ mA}$		20		$\mu\text{V}_{RMS}/\text{V}$
SVR	Supply voltage rejection	$V_{IN} = V_{OUTNOM} + 0.5\text{ V} \pm V_{RIPPLE}$ $V_{RIPPLE} = 0.1\text{ V}$ frequency = 120 Hz to 1 kHz $I_{OUT} = 10\text{ mA}$		55		dB
		$V_{IN} = V_{OUTNOM} + 0.5\text{ V} \pm V_{RIPPLE}$ $I_{OUT} = 10\text{ mA}$ $V_{RIPPLE} = 0.1\text{ V}$ frequency = 10 kHz		50		
$I_Q$	Quiescent current	$V_{IN} = V_{OUT} + 1\text{ V}$ $I_{OUT} = 0\text{ mA}$ , $-40\text{ °C} < T_J < 125\text{ °C}$		55	90	$\mu\text{A}$
		$V_{OUT} + 1\text{ V} \leq V_{IN} \leq 13.2\text{ V}$ <sup>(2)</sup> $I_{OUT} = 200\text{ mA}$ , $-40\text{ °C} < T_J < 125\text{ °C}$		60	100	
		$V_{IN}$ input current in off mode: $V_{EN} = \text{GND}$ , $T_J = 25\text{ °C}$		0.1	1	
$I_{SC}$	Short-circuit current <sup>(2)</sup>	$R_L = 0$		400		mA
$V_{EN}$	Enable input logic low	$V_{IN} = 2.5\text{ V}$ to 13.2 V, $-40\text{ °C} < T_J < 125\text{ °C}$			0.4	V
	Enable input logic high	$V_{IN} = 2.5\text{ V}$ to 13.2 V, $-40\text{ °C} < T_J < 125\text{ °C}$	1.2			
$I_{EN}$	Enable pin input current	$V_{EN} = V_{IN}$		0.1	100	nA
$R_{dis}$	Discharger resistor	$V_{EN} = 0$		18		$\Omega$
$T_{SHDN}$	Thermal shutdown			160		$^{\circ}\text{C}$
	Hysteresis			20		
$C_{OUT}$	Output capacitor	Capacitance (see Section 6 Typical characteristics)	1		22	$\mu\text{F}$

1. Dropout voltage is the input-to-output voltage difference at which the output voltage is 100 mV below its nominal value.

2. The maximum current has to be limited according to the maximum power dissipation.

**Table 7. LDK220 electrical characteristics for adjustable version.  $T_J = 25\text{ °C}$ ,  $V_{IN} = V_{OUT(NOM)} + 1\text{ V}$ ,  $C_{IN} = C_{OUT} = 1\text{ }\mu\text{F}$ ,  $I_{OUT} = 1\text{ mA}$ ,  $V_{EN} = V_{IN}$ , unless otherwise specified.**

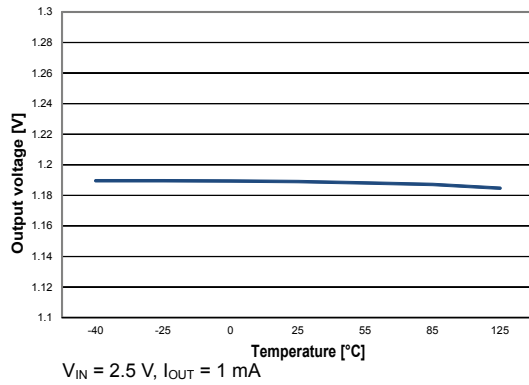
Symbol	Parameter	Test conditions	Min.	Typ.	Max.	Unit
$V_{IN}$	Operating input voltage		2.5		13.2	V
$V_{ADJ}$	Adjustable voltage	$T_J = 25\text{ °C}$		1.185		V
	Adjustable voltage accuracy	$T_J = 25\text{ °C}$ $40\text{ °C} < T_J < 125\text{ °C}$	-2 -3		+2 +3	%
$\Delta V_{OUT}$	Static line regulation	$V_{OUT} + 1\text{ V} \leq V_{IN} \leq 13.2\text{ V}$ $I_{OUT} = 1\text{ mA}$		0.001	0.05	%/V
$\Delta V_{OUT}$	Static load regulation	$I_{OUT} = 1\text{ mA}$ to 200 mA		0.0002	0.003	%/mA
$V_{DROP}$	Dropout voltage <sup>(1)</sup>	$I_{OUT} = 100\text{ mA}$ , $V_{OUT} = 3.3\text{ V}$		100		mV
		$I_{OUT} = 200\text{ mA}$ , $V_{OUT} = 3.3\text{ V}$ $40\text{ °C} < T_J < 125\text{ °C}$		200	350	
$e_N$	Output noise voltage	10 Hz to 100 kHz, $I_{OUT} = 10\text{ mA}$		100		$\mu\text{V}_{RMS}/\text{V}$
$I_{ADJ}$	Adjust pin current				1	$\mu\text{A}$
SVR	Supply voltage rejection	$V_{IN} = V_{OUTNOM} + 0.5\text{ V} \pm V_{RIPPLE}$ $V_{RIPPLE} = 0.1\text{ V}$ frequency = 120 Hz to 1 kHz, $I_{OUT} = 10\text{ mA}$		60		dB
		$V_{RIPPLE} = 0.1\text{ V}$ $V_{IN} = V_{OUTNOM} + 0.5\text{ V} \pm V_{RIPPLE}$ frequency = 10 kHz, $I_{OUT} = 10\text{ mA}$		45		
$I_Q$	Quiescent current	$V_{OUT} + 1\text{ V} \leq V_{IN} \leq 13.2\text{ V}$ $I_{OUT} = 0\text{ mA}$ , $-40\text{ °C} < T_J < 125\text{ °C}$		55	90	$\mu\text{A}$
		$V_{OUT} + 1\text{ V} \leq V_{IN} \leq 13.2\text{ V}$ $I_{OUT} = 200\text{ mA}$ , $-40\text{ °C} < T_J < 125\text{ °C}$ <sup>(2)</sup>		60	100	
		$V_{IN}$ input current in off mode: $V_{EN} = \text{GND}$ , $T_J = 25\text{ °C}$		0.1	1	
$I_{SC}$	Short-circuit current <sup>(2)</sup>	$R_L = 0$		400		mA
$V_{EN}$	Enable input logic low	$V_{IN} = 2.5\text{ V}$ to 13.2 V $-40\text{ °C} < T_J < 125\text{ °C}$			0.4	V
	Enable input logic high	$V_{IN} = 2.5\text{ V}$ to 13.2 V $-40\text{ °C} < T_J < 125\text{ °C}$	1.2			
$I_{EN}$	Enable pin input current	$V_{EN} = V_{IN}$		0.1	100	nA
$T_{SHDN}$	Thermal shutdown			160		$\text{°C}$
	Hysteresis			20		
$C_{OUT}$	Output capacitor	Capacitance (see Section 6 Typical characteristics)	1		22	$\mu\text{F}$

- Dropout voltage is the input-to-output voltage difference at which the output voltage is 100 mV below its nominal value.
- The maximum current has to be limited according to the maximum power dissipation.

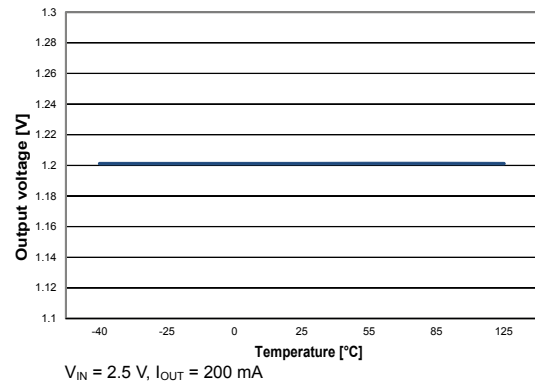
## 6 Typical performance characteristics

( $C_{IN} = C_{OUT} = 1 \mu\text{F}$ ,  $V_{EN}$  to  $V_{IN}$ )

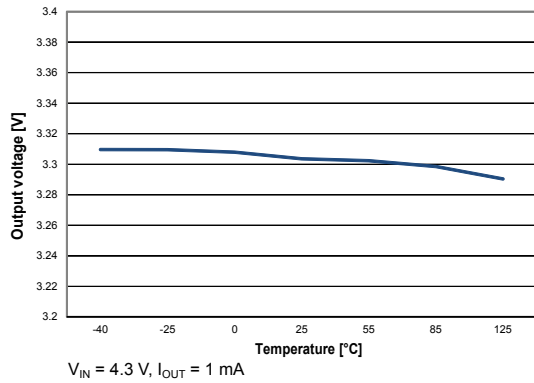
**Figure 5. Output voltage vs. temperature ( $V_{OUT} = V_{ADJ}$ ,  $I_{OUT} = 1 \text{ mA}$ )**



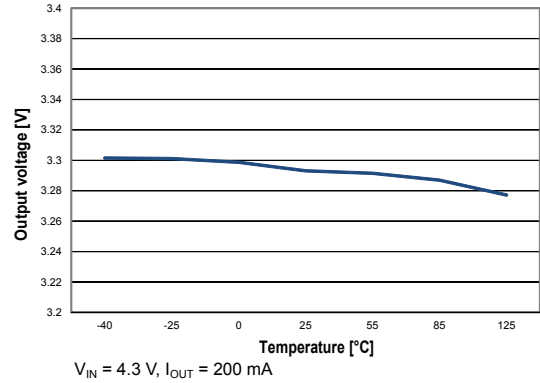
**Figure 6. Output voltage vs. temperature ( $V_{OUT} = V_{ADJ}$ ,  $I_{OUT} = 200 \text{ mA}$ )**



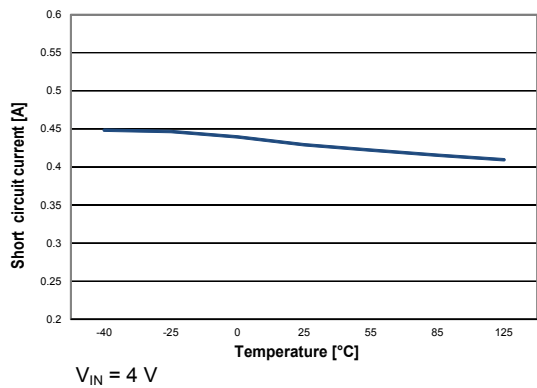
**Figure 7. Output voltage vs. temperature ( $V_{OUT} = 3.3 \text{ V}$ ,  $I_{OUT} = 1 \text{ mA}$ )**



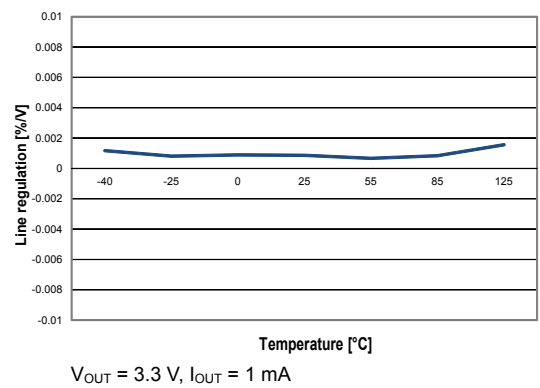
**Figure 8. Output voltage vs. temperature ( $V_{OUT} = 3.3 \text{ V}$ ,  $I_{OUT} = 200 \text{ mA}$ )**



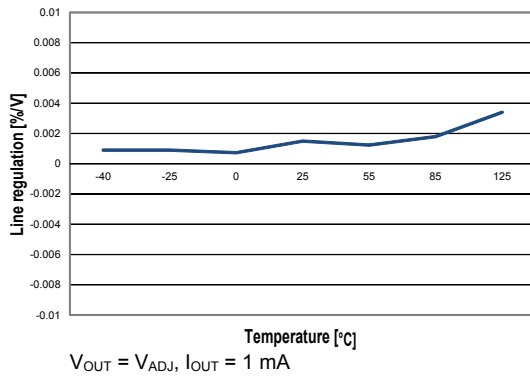
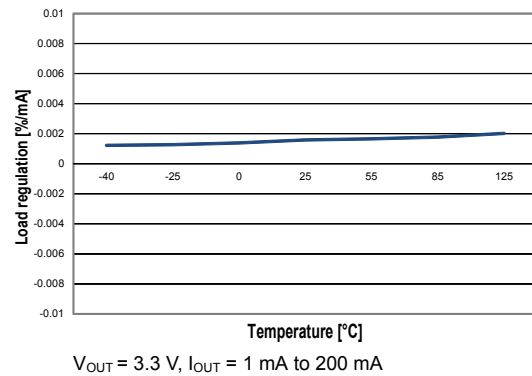
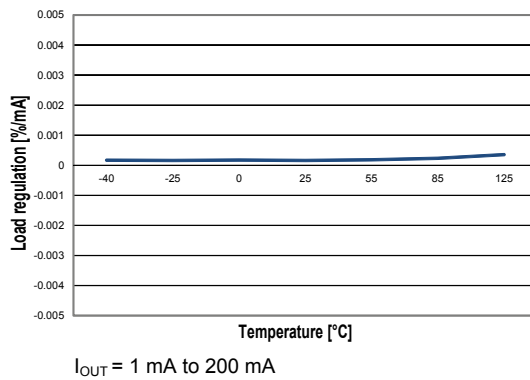
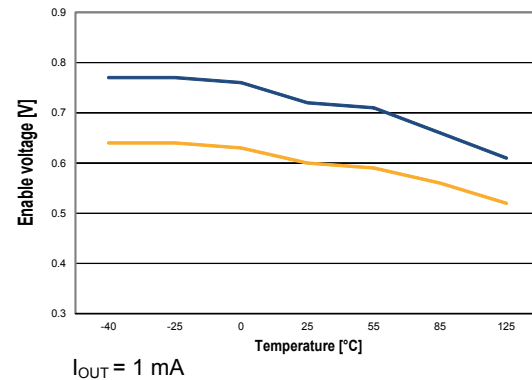
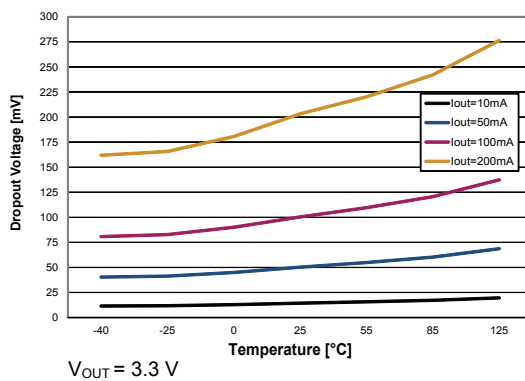
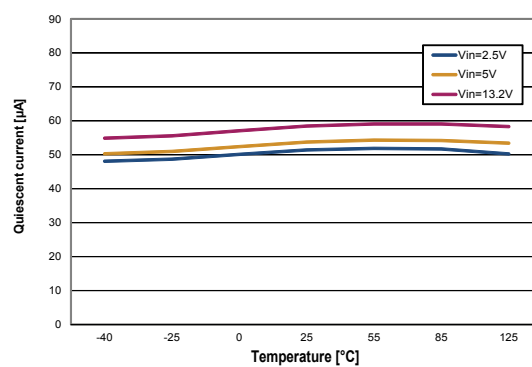
**Figure 9. Short-circuit current vs. temperature**

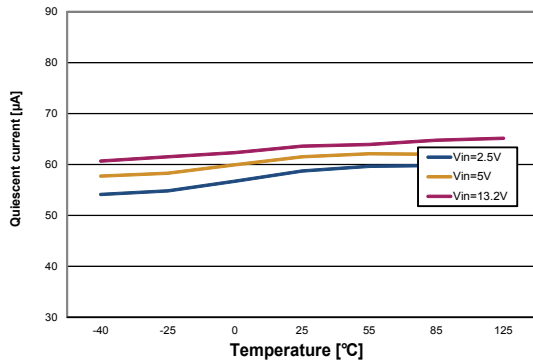
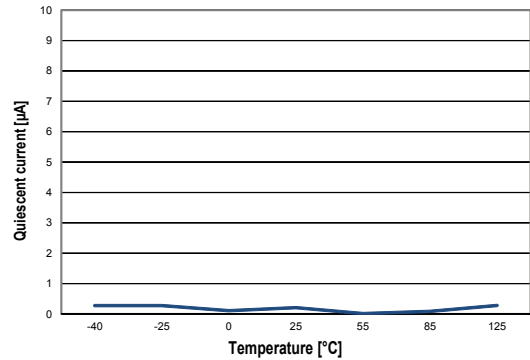
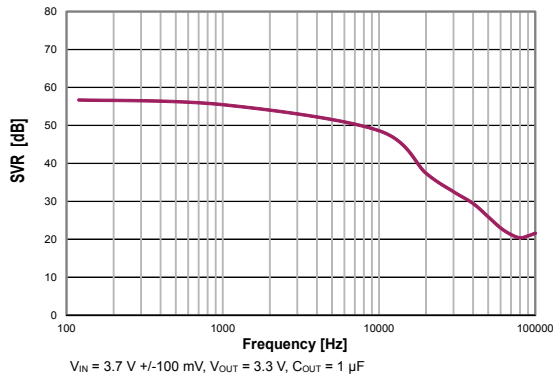
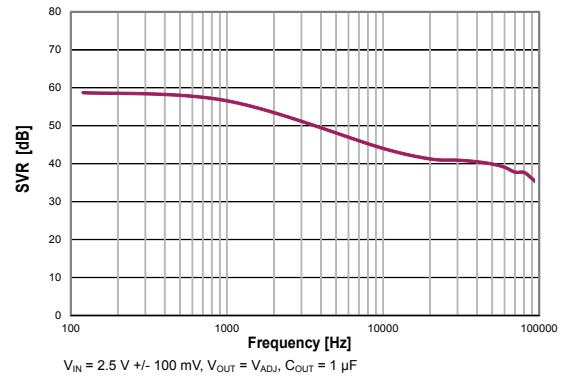
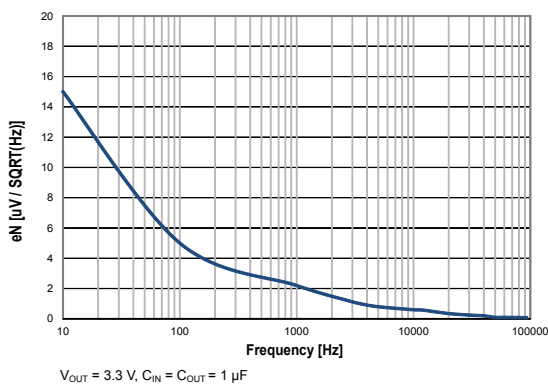
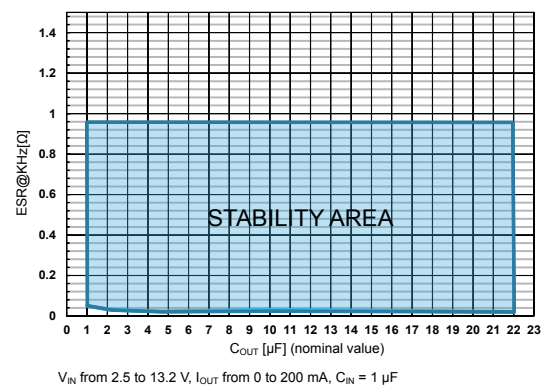


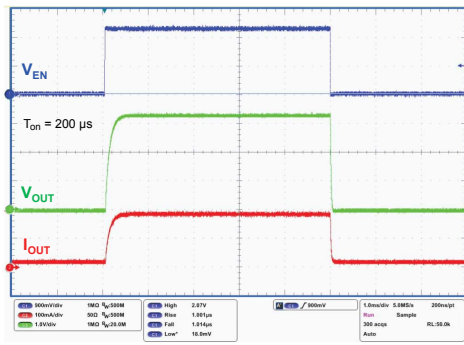
**Figure 10. Line regulation vs. temperature ( $V_{OUT} = 3.3 \text{ V}$ )**



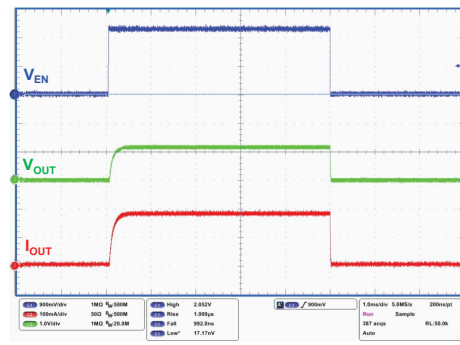


**Figure 11. Line regulation vs. temperature ( $V_{OUT} = V_{ADJ}$ )**

**Figure 12. Load regulation vs. temperature ( $V_{OUT} = 3.3 \text{ V}$ )**

**Figure 13. Load regulation vs. temperature ( $V_{OUT} = V_{ADJ}$ )**

**Figure 14. Enable thresholds vs. temperature**

**Figure 15. Dropout voltage vs. temperature**

**Figure 16. Quiescent current vs. temperature ( $I_{OUT} = 0 \text{ mA}$ )**


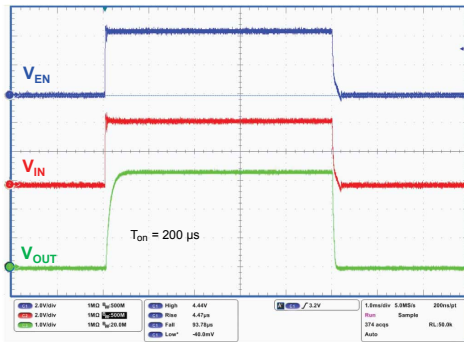
**Figure 17. Quiescent current vs. temperature ( $I_{OUT} = 200\text{ mA}$ )**

**Figure 18. Off-state current vs. temperature**

**Figure 19. SVR vs. frequency ( $V_{OUT} = 3.3\text{ V}$ )**

**Figure 20. SVR vs. frequency ( $V_{OUT} = V_{ADJ}$ )**

**Figure 21. Output noise spectral density**

**Figure 22. Stability vs. ( $C_{OUT}$ , ESR)**


**Figure 23. Startup with enable ( $V_{OUT} = 3.3\text{ V}$ )**

 $V_{IN} = 4.3\text{ V}$ ,  $V_{EN} = 0\text{ V to } 2\text{ V}$ ,  $I_{OUT} = 0.2\text{ A}$ ,  $V_{OUT} = 3.3\text{ V}$ ,  $T_r = T_f = 1\text{ }\mu\text{s}$ 

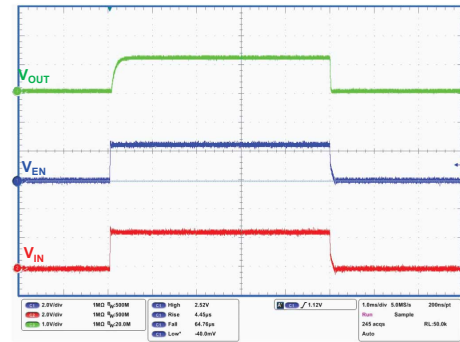
GIPD250120161426MT

**Figure 24. Startup with enable ( $V_{OUT} = V_{ADJ}$ )**

 $V_{IN} = 2.5\text{ V}$ ,  $V_{EN} = 0\text{ V to } V_{IN}$ ,  $I_{OUT} = 0.2\text{ A}$ ,  $V_{OUT} = V_{ADJ}$ ,  $T_r = T_f = 1\text{ }\mu\text{s}$ 

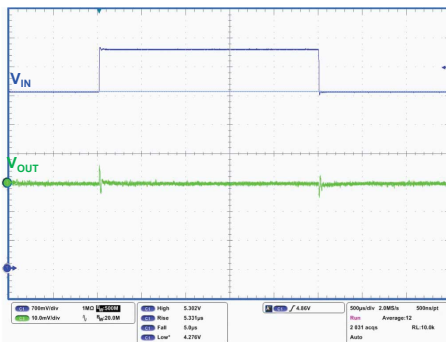
GIPD250120161427MT

**Figure 25. Turn-on time ( $V_{OUT} = 3.3\text{ V}$ )**

 $V_{IN} = V_{EN} = 0\text{ V to } 4.3\text{ V}$ ,  $I_{OUT} = 0.2\text{ A}$ ,  $V_{OUT} = 3.3\text{ V}$ ,  $T_r = 5\text{ }\mu\text{s}$ 

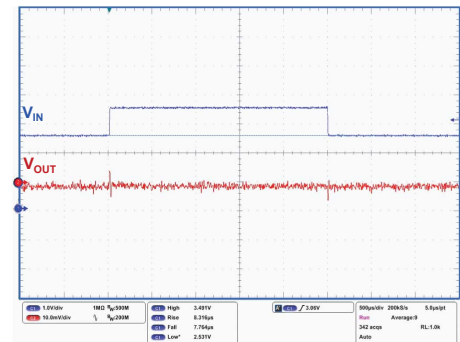
GIPD250120161428MT

**Figure 26. Turn-on time ( $V_{OUT} = V_{ADJ}$ )**

 $V_{IN} = V_{EN} = 0\text{ V to } 2.5\text{ V}$ ,  $I_{OUT} = 0.2\text{ A}$ ,  $V_{OUT} = V_{ADJ}$ ,  $T_r = 5\text{ }\mu\text{s}$ 

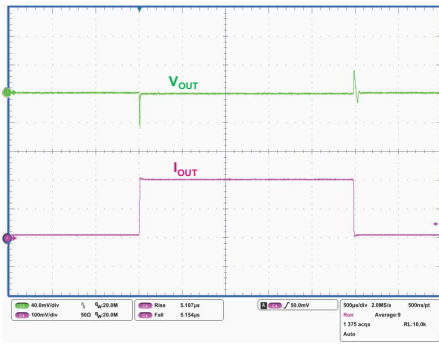
GIPD250120161429MT

**Figure 27. Line transient ( $V_{OUT} = 3.3\text{ V}$ )**

 $V_{IN} = V_{EN} = 4.3\text{ V to } 5.3\text{ V}$ ,  $I_{OUT} = 1\text{ mA}$ ,  $V_{OUT} = 3.3\text{ V}$ ,  $T_r = T_f = 5\text{ }\mu\text{s}$ 

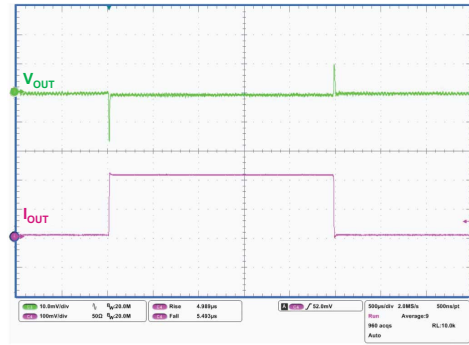
GIPD250120161430MT

**Figure 28. Line transient ( $V_{OUT} = V_{ADJ}$ )**

 $V_{IN} = V_{EN} = 2.5\text{ V to } 3.5\text{ V}$ ,  $I_{OUT} = 1\text{ mA}$ ,  $V_{OUT} = V_{ADJ}$ ,  $T_r = T_f = 5\text{ }\mu\text{s}$ 

GIPD250120161431MT

**Figure 29. Load transient ( $V_{OUT} = 3.3\text{ V}$ )**

 $V_{IN} = V_{EN} = 4.3\text{ V}$ ,  $I_{OUT} = 1\text{ mA to } 0.2\text{ A}$ ,  $V_{OUT} = 3.3\text{ V}$ ,  $T_r = T_f = 5\text{ }\mu\text{s}$ 

GIPD250120161432MT

**Figure 30. Load transient ( $V_{OUT} = V_{ADJ}$ )**

 $V_{IN} = V_{EN} = 2.5\text{ V}$ ,  $I_{OUT} = 1\text{ mA to } 0.2\text{ A}$ ,  $V_{OUT} = V_{ADJ}$ ,  $T_r = T_f = 5\text{ }\mu\text{s}$ 

GIPD250120161433MT

---

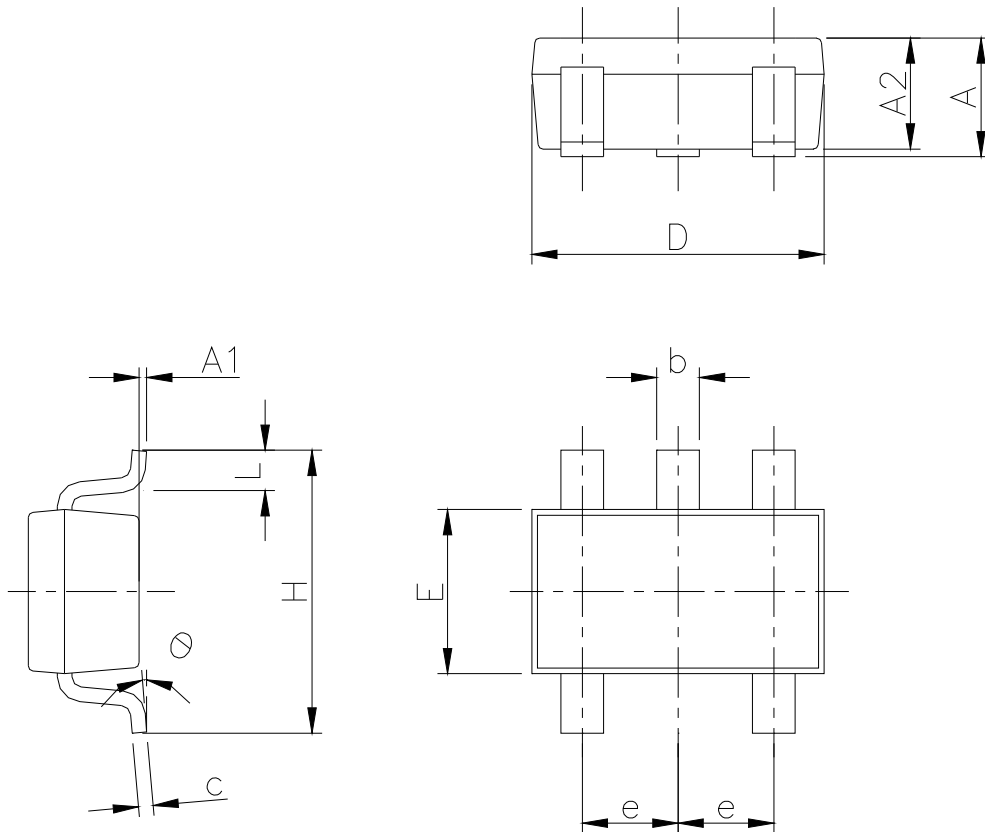
## 7 Package information

---

In order to meet environmental requirements, ST offers these devices in different grades of **ECOPACK** packages, depending on their level of environmental compliance. ECOPACK specifications, grade definitions and product status are available at: [www.st.com](http://www.st.com). ECOPACK is an ST trademark.

## 7.1 SOT23-5L package information

Figure 31. SOT23-5L package outline

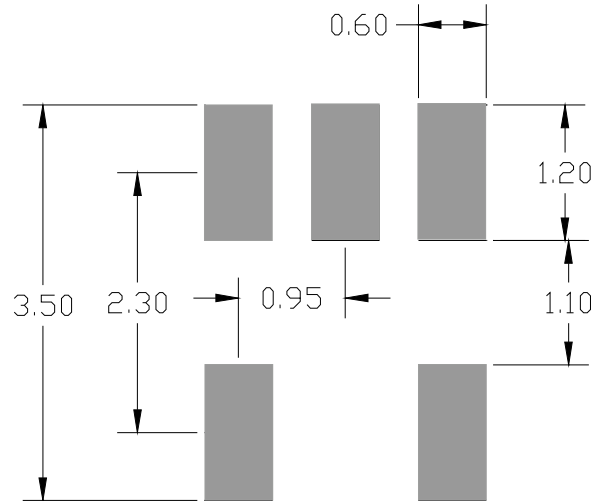


7049676\_k

Table 8. SOT23-5L package mechanical data

Dim.	mm		
	Min.	Typ.	Max.
A	0.90		1.45
A1	0		0.15
A2	0.90		1.30
b	0.30		0.50
c	0.09		0.20
D		2.95	
E		1.60	
e		0.95	
H		2.80	
L	0.30		0.60
$\theta$	0°		8°

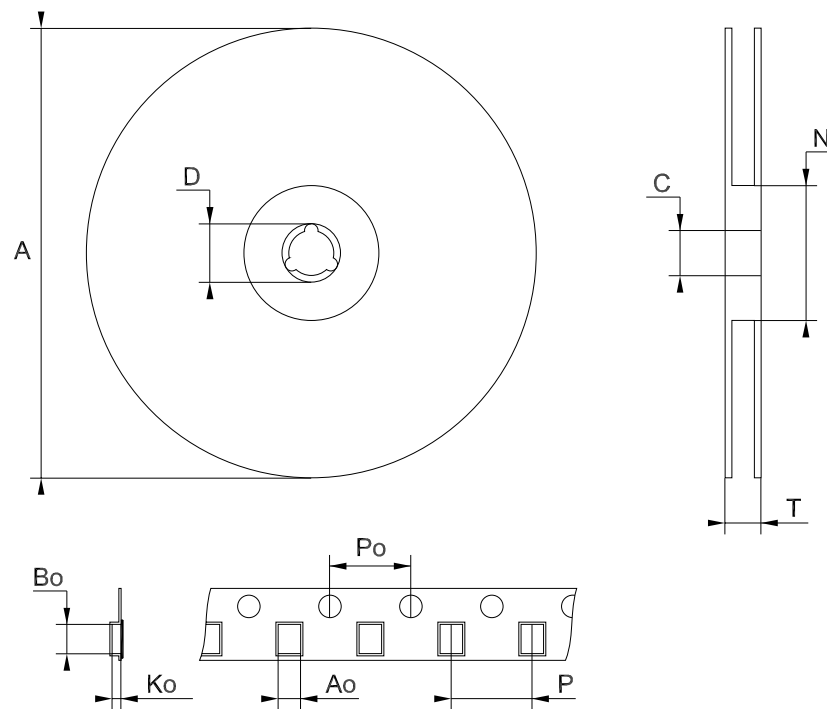
Figure 32. SOT23-5L recommended footprint



Note: Dimensions are in mm

## 7.2 SOT23-5L packing information

Figure 33. SOT23-5L tape and reel outline



Note: Drawing not in scale

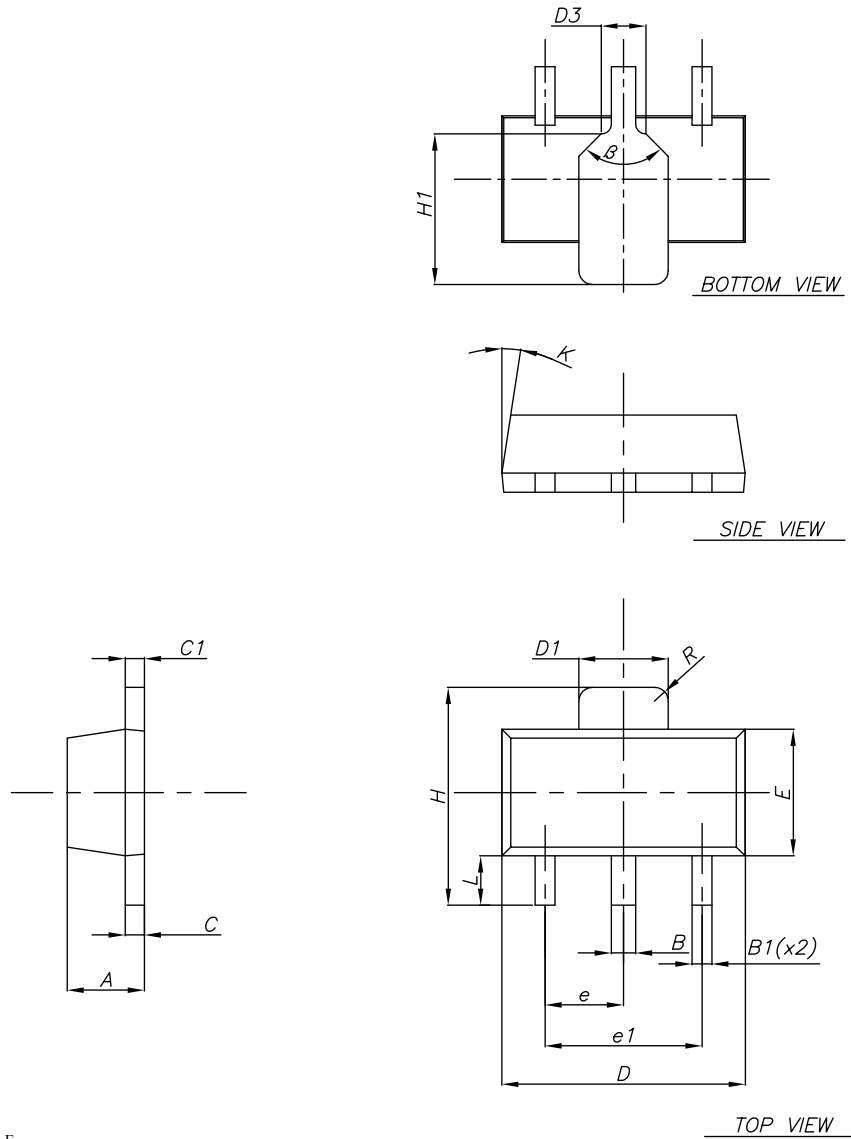
**Table 9. SOT23-5L tape and reel mechanical data**

Dim.	mm		
	Min.	Typ.	Max.
A			180
C	12.8	13.0	13.2
D	20.2		
N	60		
T			14.4
Ao	3.13	3.23	3.33
Bo	3.07	3.17	3.27
Ko	1.27	1.37	1.47
Po	3.9	4.0	4.1
P	3.9	4.0	4.1



### 7.3 SOT-89 package information

Figure 34. SOT-89 package outline

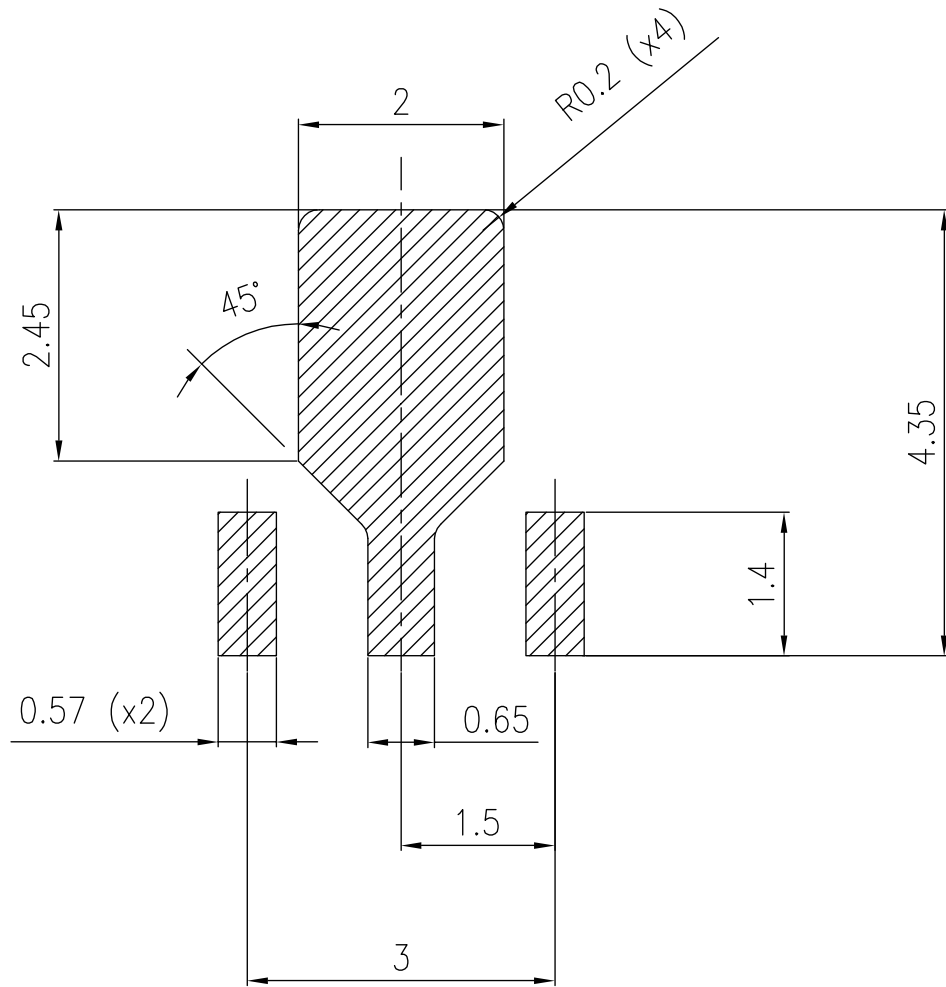


7098166\_REV\_F

Table 10. SOT-89 mechanical data

Dim.	mm		
	Min.	Typ.	Max.
A	1.40		1.60
B	0.44		0.56
B1	0.36		0.48
C	0.35		0.44
C1	0.35		0.44
D	4.40		4.60
D1	1.62		1.83
D3		0.90	
E	2.29		2.60
e	1.42		1.57
e1	2.92		3.07
H	3.94		4.25
H1	2.70		3.10
K	1°		8°
L	0.89		1.20
R		0.25	
β		90°	

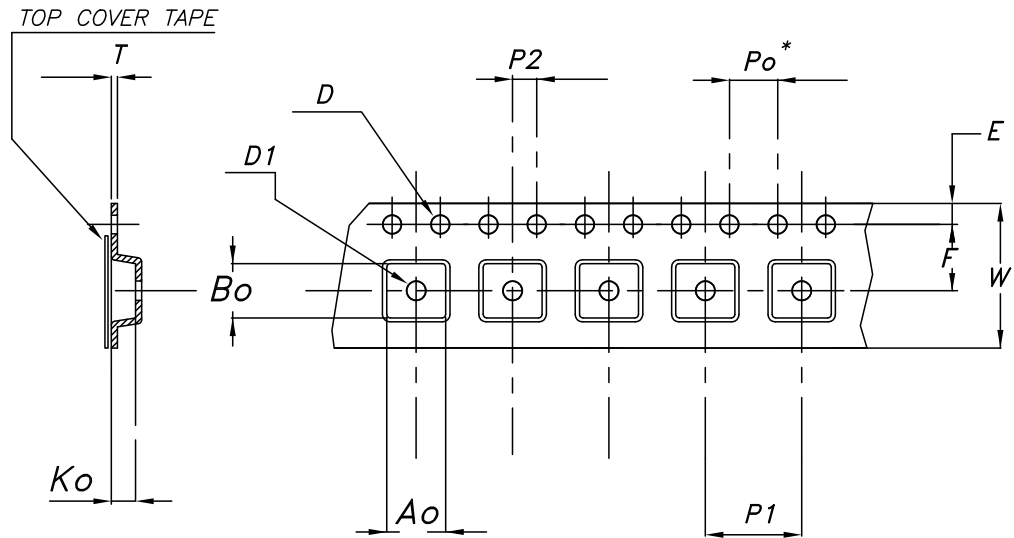
Figure 35. SOT-89 recommended footprint



Footprint

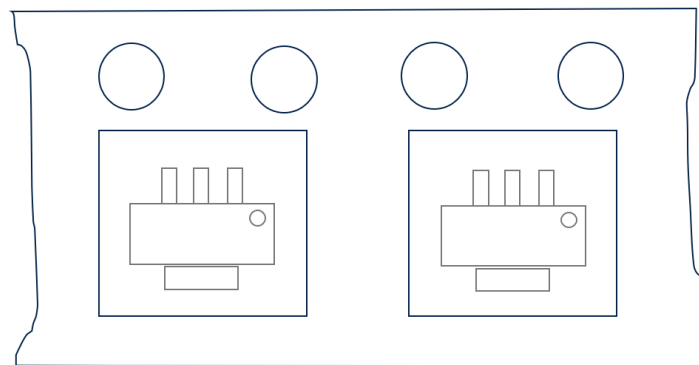
## 7.4 SOT-89 packing information

Figure 36. SOT-89 carrier tape outline



7111762\_5

Figure 37. SOT-89 device orientation

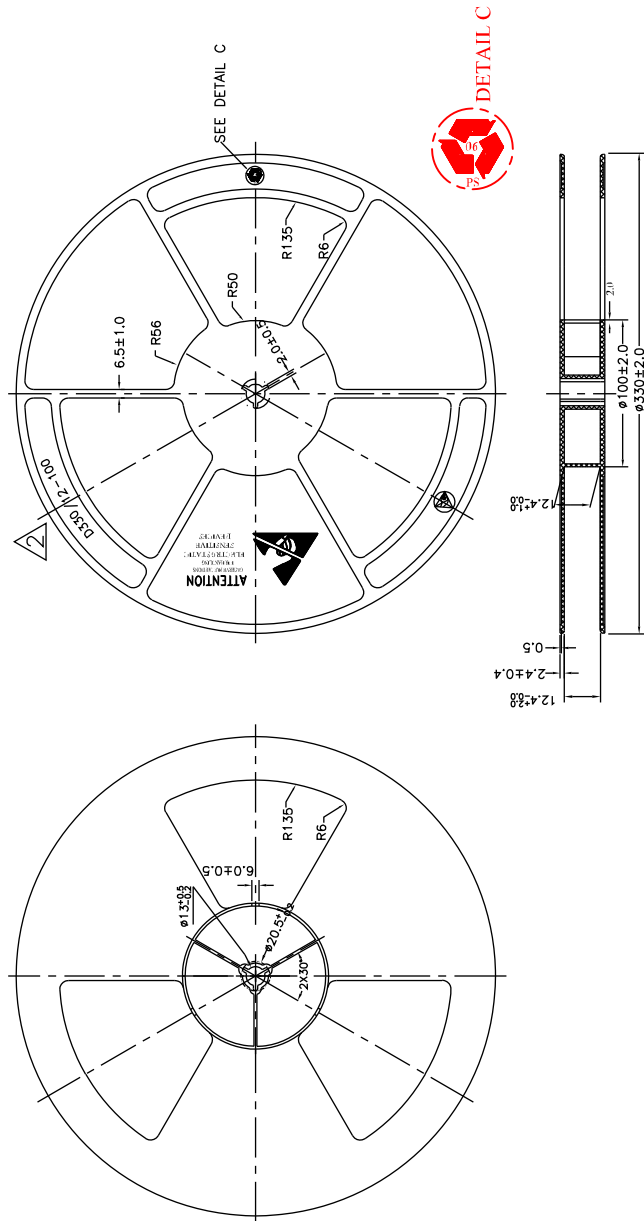


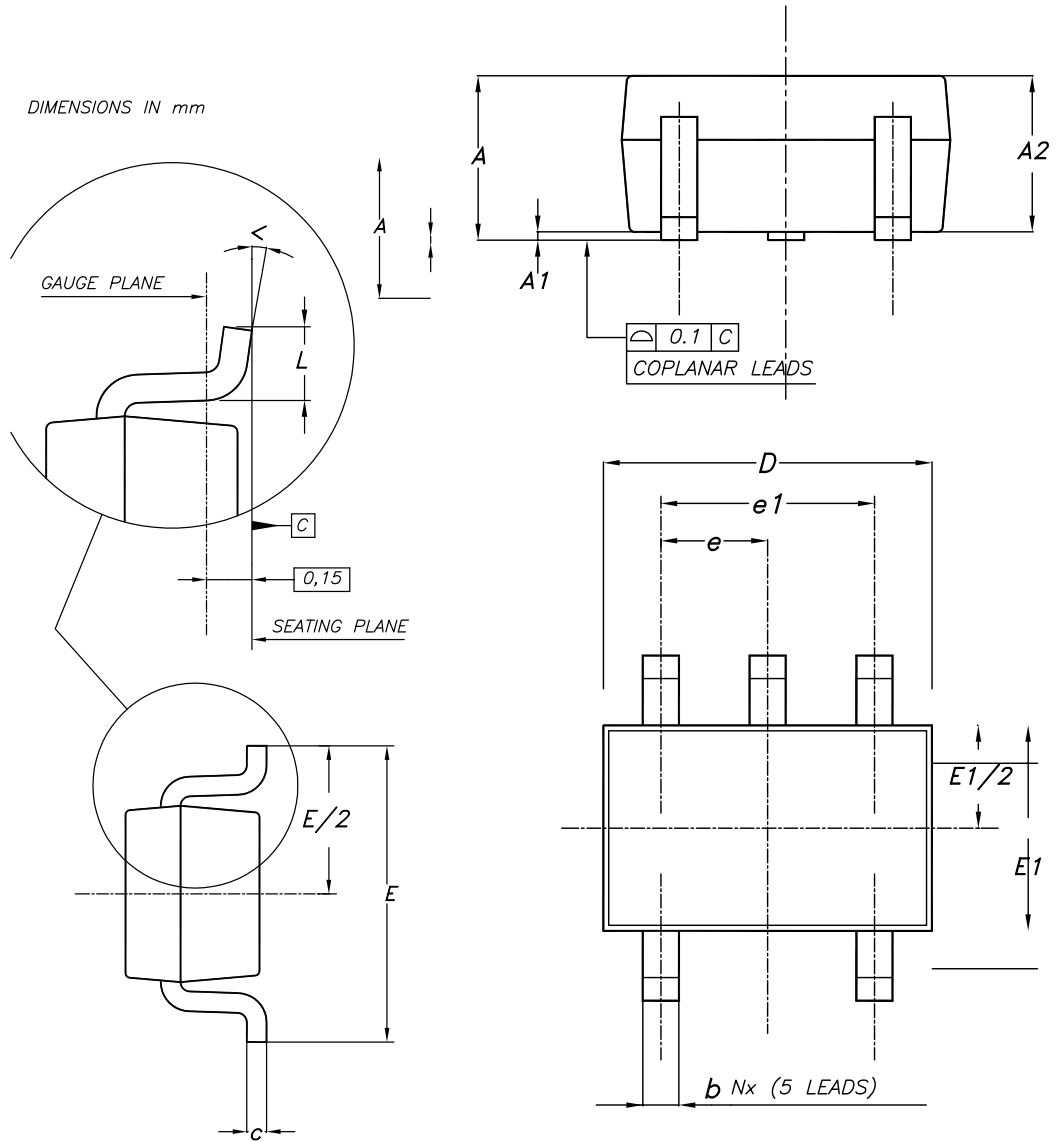
User direction of feed

**Table 11. SOT-89 carrier tape mechanical data**

Dim.	mm	
	Value	Tolerance
Ao	4.91	± 0.10
Bo	4.52	± 0.10
Ko	1.90	± 0.10
F	5.50	± 0.10
E	1.75	± 0.10
W	12	± 0.30
P2	2	± 0.10
Po	4	± 0.10
P1	8	± 0.10
T	0.30	± 0.10
D	Ø 1.55	± 0.05
D1	Ø 1.60	± 0.10

Figure 38. SOT-89 reel drawing



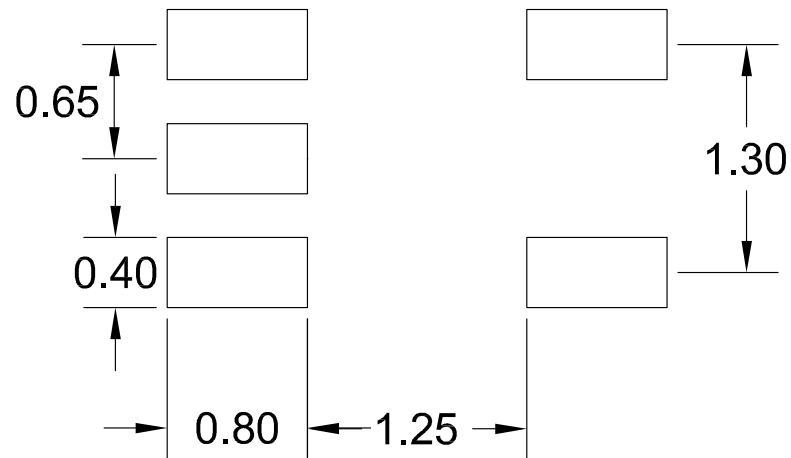
**7.5 SOT323-5L package information**
**Figure 39. SOT323-5L package outline**


7091413\_G

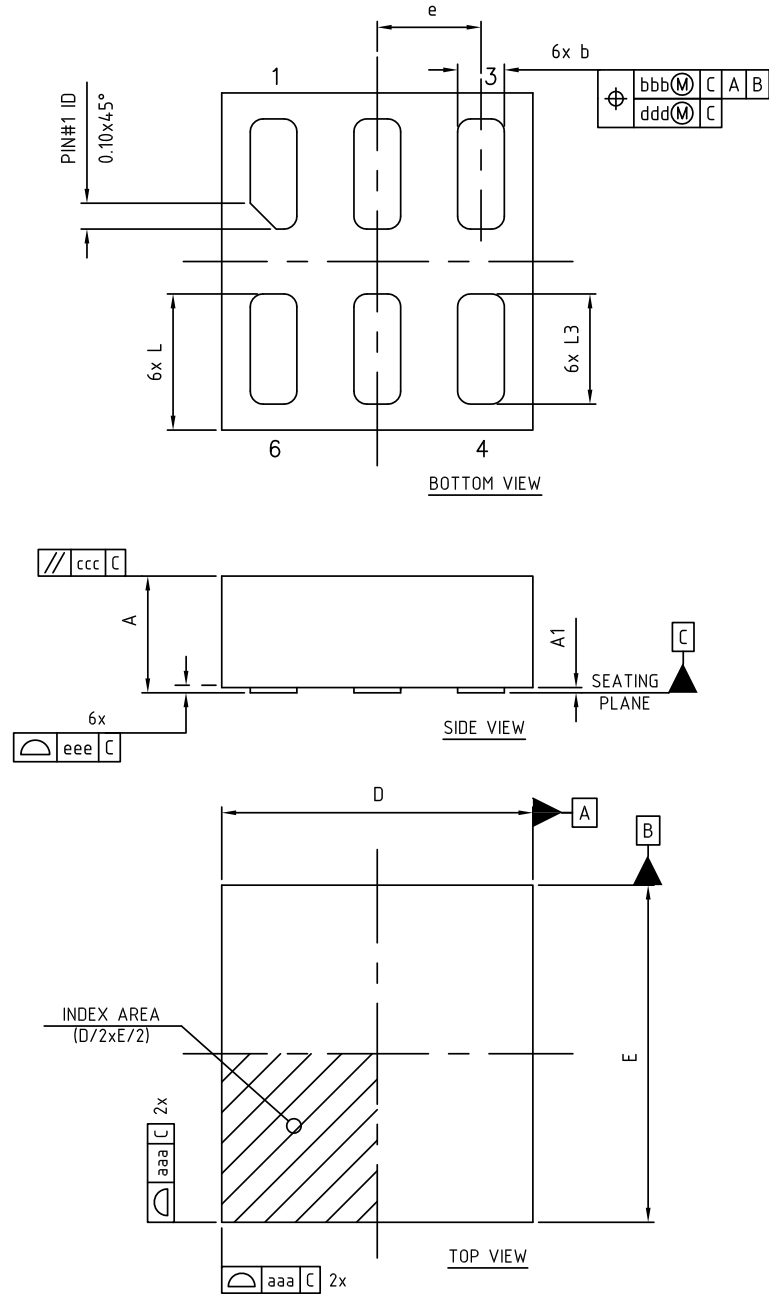
Table 12. SOT323-5L package mechanical data

Dim.	mm		
	Min.	Typ.	Max.
A	0.80		1.10
A1	0		0.10
A2	0.80	0.90	1
b	0.15		0.30
c	0.10		0.22
D	1.80	2	2.20
E	1.80	2.10	2.40
E1	1.15	1.25	1.35
e		0.65	
e1		1.30	
L	0.26	0.36	0.46
<	0°		8°

Figure 40. SOT323-5L recommended footprint





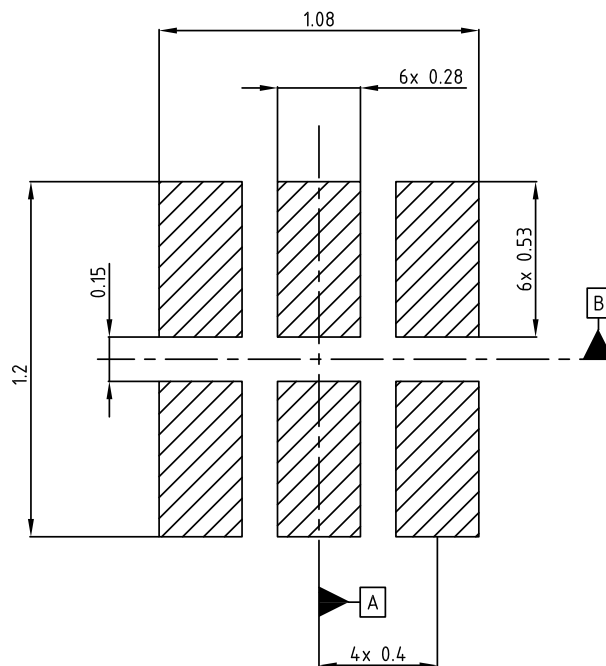
**7.6 DFN6 1.2x1.3 package information**
**Figure 41. DFN6 package outline**


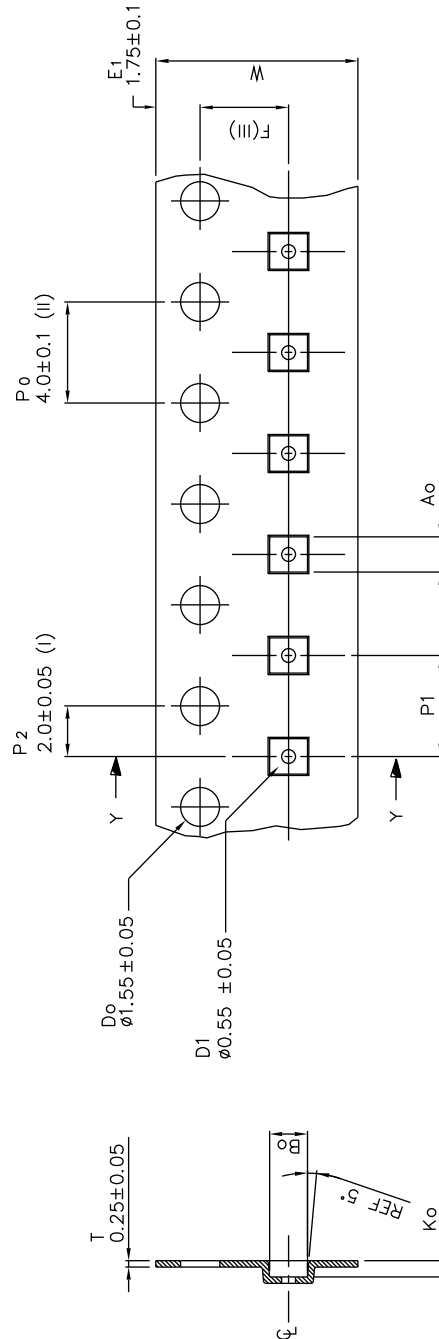
8442779\_A

**Table 13. DFN6 package mechanical data**

Dim.	mm		
	Min.	Typ.	Max.
A	0.41	0.45	0.50
A1	0.00	0.02	0.05
D	-	1.20	-
E	-	1.30	-
e	-	0.40	-
b	0.15	0.18	0.25
L	0.475	0.525	0.575
L3	0.375	0.425	0.475
aaa	-	0.05	-
bbb	-	0.10	-
ccc	-	0.05	-
ddd	-	0.05	-
eee	-	0.05	-

**Figure 42. DFN6 recommended footprint**



**7.7 DFN6 packing information**
**Figure 43. DFN6 reel drawing outline**


SECTION Y-Y

A0	1.40 + / - 0.05
B0	1.50 + / - 0.05
K0	0.65 + / - 0.05
F	3.50 + / - 0.05
P1	4.00 + / - 0.10
W	8.00 + / - 0.30

- (I) Measured from centreline of sprocket hole to centreline of pocket.
- (II) Cumulative tolerance of 10 sprocket holes is  $\pm 0.20$
- (III) Measured from centreline of sprocket hole to centreline of pocket.
- (IV) Other material available.

ALL DIMENSIONS IN MILLIMETRES UNLESS OTHERWISE STATED.

Figure 44. DFN6 carrier tape

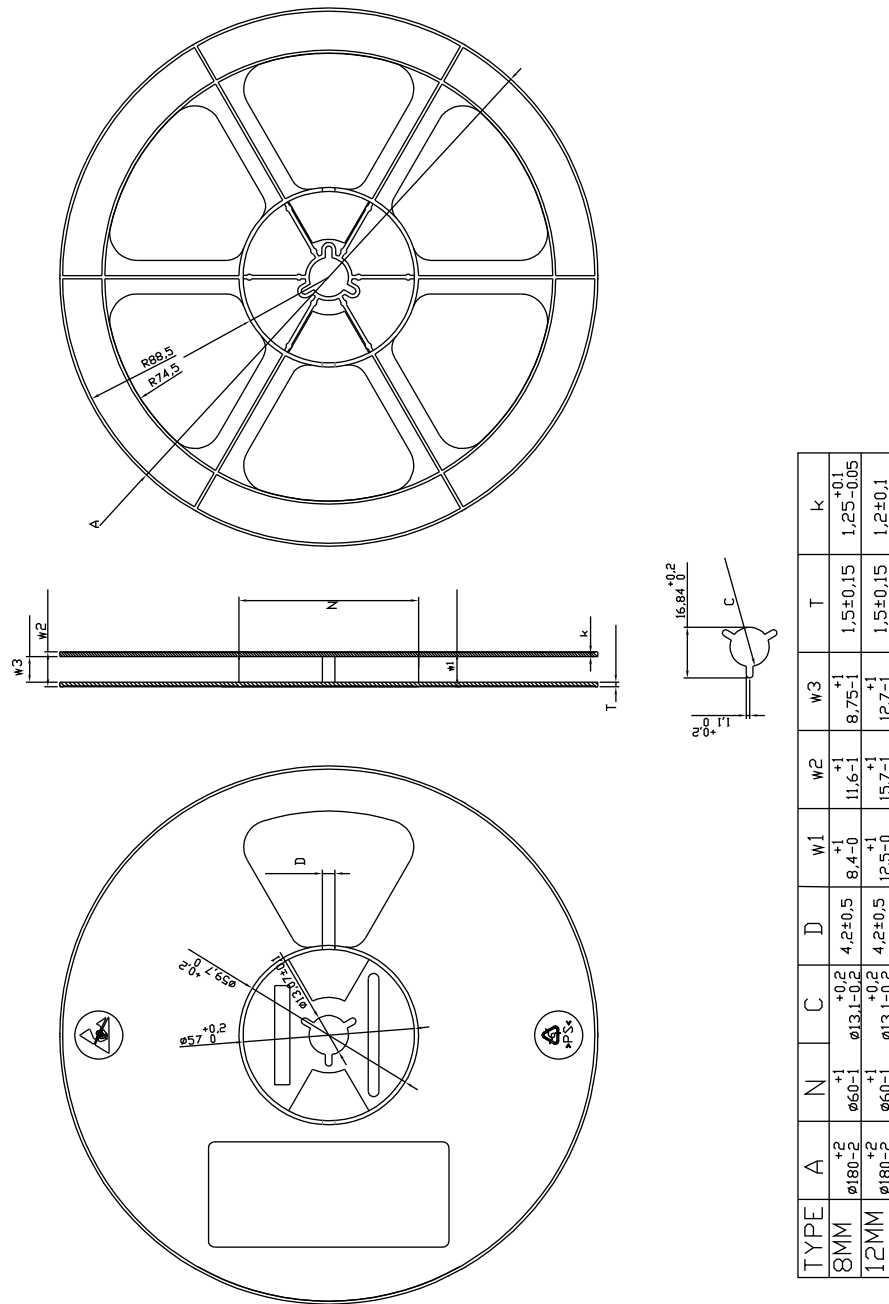
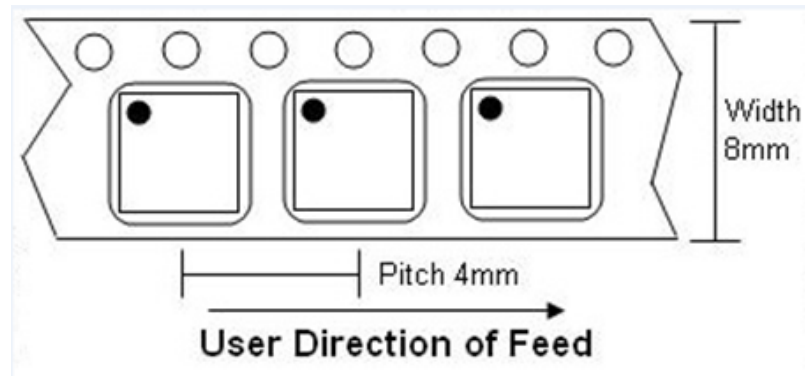


Figure 45. DFN6 device orientation in tape



## 8 Ordering information

**Table 14. Order codes**

SOT323-5L	SOT23-5L	SOT-89	DFN6	Output voltage (V)
LDK220C25R	LDK220M25R		LDK220PU25R	2.5
LDK220C27R	LDK220M27R		LDK220PU27R	2.7
LDK220C30R	LDK220M30R	LDK220U30R	LDK220PU30R	3
LDK220C32R	LDK220M32R		LDK220PU32R	3.2
LDK220C33R	LDK220M33R	LDK220U33R	LDK220PU33R	3.3
	LDK220M35R			3.5
LDK220C36R	LDK220M36R	LDK220U36R	LDK220PU36R	3.6
LDK220C40R	LDK220M40R		LDK220PU40R	4
LDK220C50R	LDK220M50R	LDK220U50R	LDK220PU50R	5
LDK220C-R	LDK220M-R		LDK220PU-R	ADJ

## Revision history

**Table 15. Document revision history**

Date	Revision	Changes
19-Mar-2014	1	Initial release.
24-Nov-2014	2	Updated the features in cover page, Table 6: LDK220 electrical characteristics for fixed output version, Table 7: LDK220 electrical characteristics for adjustable version, Table 8: SOT23-5L mechanical data, and Section 6: Typical characteristics. Minor text changes.
19-May-2015	3	Added SOT-89 package. Updated features in cover page. Updated Section 2: Pin configuration, Section 3: Typical application, Table 5: Thermal data, Section 7: Package information and Section 8: Ordering information. Minor text changes.
24-Oct-2016	4	Updated Table 7: "LDK220 electrical characteristics for adjustable version" and Section 7: "Package information". Minor text changes.
20-Dec-2019	5	Updated Section 1 Diagram.
12-Feb-2020	6	Added new part number LDK220M35R in Table 14. Order codes.
05-Nov-2021	7	Updated figure on the cover page, <a href="#">Figure 3</a> , <a href="#">Figure 4</a> , <a href="#">Figure 23</a> and <a href="#">Figure 25</a> . Added note in <a href="#">Table 5</a> , Rdis parameter in <a href="#">Table 6</a> and <a href="#">Section 7.7</a> DFN6 packing information.

**IMPORTANT NOTICE – PLEASE READ CAREFULLY**

STMicroelectronics NV and its subsidiaries (“ST”) reserve the right to make changes, corrections, enhancements, modifications, and improvements to ST products and/or to this document at any time without notice. Purchasers should obtain the latest relevant information on ST products before placing orders. ST products are sold pursuant to ST’s terms and conditions of sale in place at the time of order acknowledgement.

Purchasers are solely responsible for the choice, selection, and use of ST products and ST assumes no liability for application assistance or the design of Purchasers’ products.

No license, express or implied, to any intellectual property right is granted by ST herein.

Resale of ST products with provisions different from the information set forth herein shall void any warranty granted by ST for such product.

ST and the ST logo are trademarks of ST. For additional information about ST trademarks, please refer to [www.st.com/trademarks](http://www.st.com/trademarks). All other product or service names are the property of their respective owners.

Information in this document supersedes and replaces information previously supplied in any prior versions of this document.

© 2021 STMicroelectronics – All rights reserved



单击下面可查看定价，库存，交付和生命周期等信息

[>>STMicro\(意法半导体\)](#)