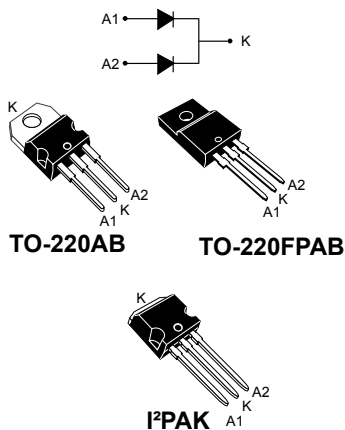


## 120 V power Schottky rectifier



### Features

- High junction temperature capability
- Avalanche capability specified
- Low forward voltage drop current
- High frequency operation
- Insulated package: TO-220FPAB
  - Insulating voltage = 1500 V<sub>RMS</sub>
- ECOPACK<sup>®</sup>2 compliant

### Applications

- Switching diode
- SMPS
- DC/DC converter
- LED lighting
- Notebook adapter

### Description

This dual center tap Schottky rectifier is optimized for high frequency switch mode power supplies.

Packaged in TO-220AB, I<sup>2</sup>PAK and TO-220FPAB, the **STPS30L120C** provides adaptor designers with an optimized price-performance ratio.

Product status link	
<a href="#">STPS30L120C</a>	
Product summary	
Symbol	Value
$I_{F(AV)}$	2 x 15A
$V_{RRM}$	120 V
$T_j$ (max.)	150 °C
$V_F$ (typ.)	0.65 V

# 1 Characteristics

**Table 1. Absolute ratings (limiting values at 25 °C, unless otherwise specified, per diode)**

Symbol	Parameter		Value	Unit
V <sub>RRM</sub>	Repetitive peak reverse voltage		120	V
I <sub>F(RMS)</sub>	Forward rms current		30	A
I <sub>F(AV)</sub>	Average forward current, $\delta = 0.5$ square wave	Per diode	15	A
		Per device	30	
I <sub>FSM</sub>	Surge non repetitive forward current	t <sub>p</sub> = 10 ms sinusoidal	220	A
P <sub>ARM</sub>	Repetitive peak avalanche power	t <sub>p</sub> = 10 $\mu$ s, T <sub>j</sub> = 125 °C	828	W
T <sub>stg</sub>	Storage temperature range		-65 to +175	°C
T <sub>j</sub>	Maximum operating junction temperature <sup>(1)</sup>		150	°C

1.  $(dP_{tot}/dT_j) < (1/R_{th(j-a)})$  condition to avoid thermal runaway for a diode on its own heatsink.

**Table 2. Thermal resistance parameters**

Symbol	Parameter		Value	Unit	
R <sub>th(j-c)</sub>	Junction to case	TO-220AB, I <sup>2</sup> PAK	Per diode	1.3	°C/W
			Total	0.7	
		TO-220FPAB	Per diode	4.5	
			Total	3.8	
R <sub>th(c)</sub>	Coupling	TO-220AB, I <sup>2</sup> PAK	0.1		
		TO-220FPAB	3		

When the diodes 1 and 2 are used simultaneously:

$$T_j(\text{diode 1}) = P(\text{diode 1}) \times R_{th(j-c)}(\text{per diode}) + P(\text{diode 2}) \times R_{th(c)}$$

For more information, please refer to the following application note:

- AN5088 : Rectifiers thermal management, handling and mounting recommendations

**Table 3. Static electrical characteristics (per diode)**

Symbol	Parameter	Test conditions		Min.	Typ.	Max.	Unit
I <sub>R</sub> <sup>(1)</sup>	Reverse leakage current	T <sub>j</sub> = 25 °C	V <sub>R</sub> = V <sub>RRM</sub>	-		200	$\mu$ A
		T <sub>j</sub> = 125 °C		-	12	35	mA
V <sub>F</sub> <sup>(2)</sup>	Forward voltage drop	T <sub>j</sub> = 25 °C	I <sub>F</sub> = 5 A	-		0.675	V
		T <sub>j</sub> = 125 °C		-	0.51	0.57	
		T <sub>j</sub> = 25 °C	I <sub>F</sub> = 15 A	-		0.88	
		T <sub>j</sub> = 125 °C		-	0.65	0.71	
		T <sub>j</sub> = 25 °C	I <sub>F</sub> = 30 A	-		1.08	
		T <sub>j</sub> = 125 °C		-	0.755	0.84	

1. Pulse test: t<sub>p</sub> = 5 ms,  $\delta < 2\%$

2. Pulse test:  $t_p = 380 \mu\text{s}$ ,  $\delta < 2\%$

To evaluate the conduction losses, use the following equation:

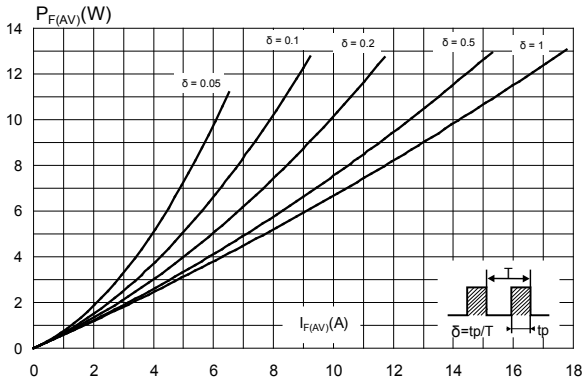
$$P = 0.58 \times I_{F(AV)} + 0.0087 \times I_{F(RMS)}^2$$

For more information, please refer to the following application notes related to the power losses :

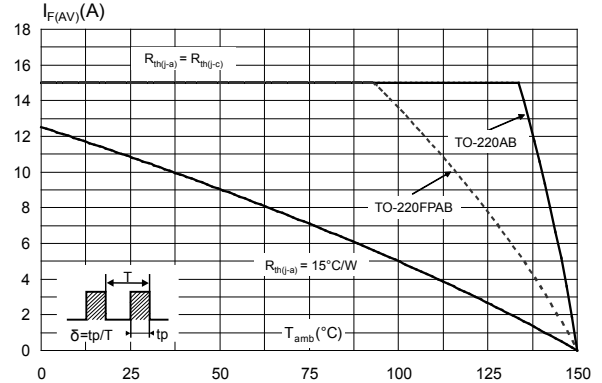
- AN604: Calculation of conduction losses in a power rectifier
- AN4021: Calculation of reverse losses on a power diode

### 1.1 Characteristics (curves)

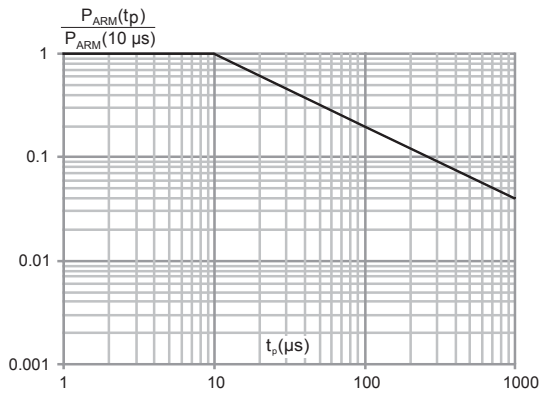
**Figure 1. Average forward power dissipation versus average forward current (per diode)**



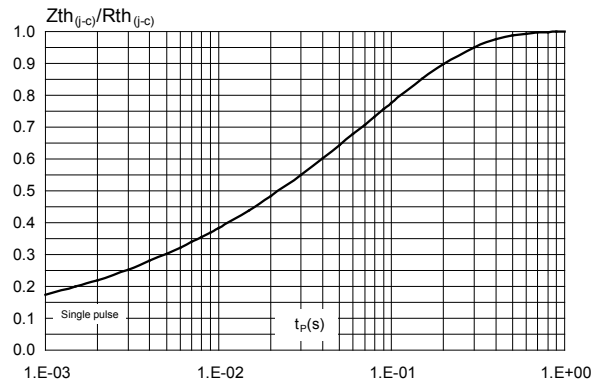
**Figure 2. Average forward current versus ambient temperature ( $\delta = 0.5$ , per diode)**



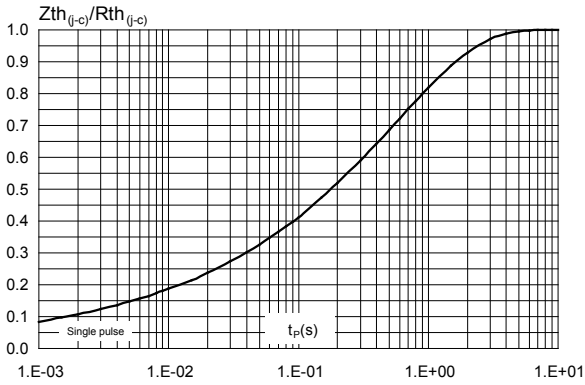
**Figure 3. Normalized avalanche power derating versus pulse duration ( $T_j = 125^\circ\text{C}$ )**



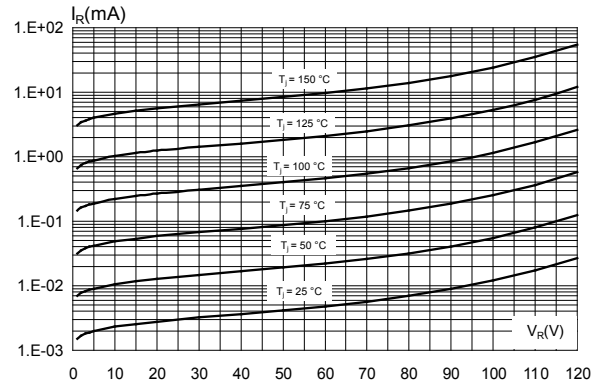
**Figure 4. Relative variation of thermal impedance junction to case versus pulse duration (TO-220AB, I<sup>2</sup>PAK)**



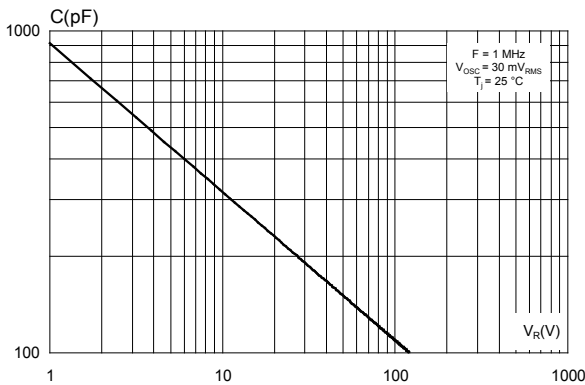
**Figure 5. Relative variation of thermal impedance junction to case versus pulse duration (TO-220FPAB)**



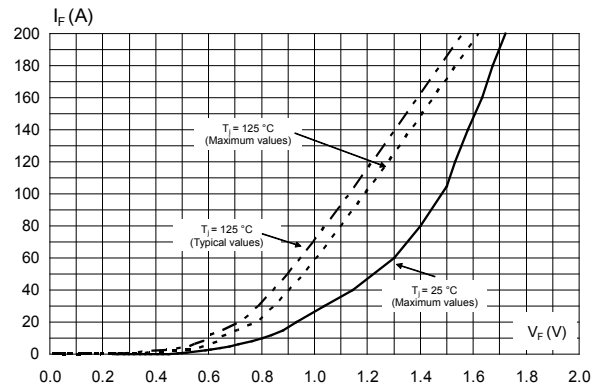
**Figure 6. Reverse leakage current versus reverse voltage applied (typical values, per diode)**



**Figure 7. Junction capacitance versus reverse voltage applied (typical values, per diode)**



**Figure 8. Forward voltage drop versus forward current (per diode)**



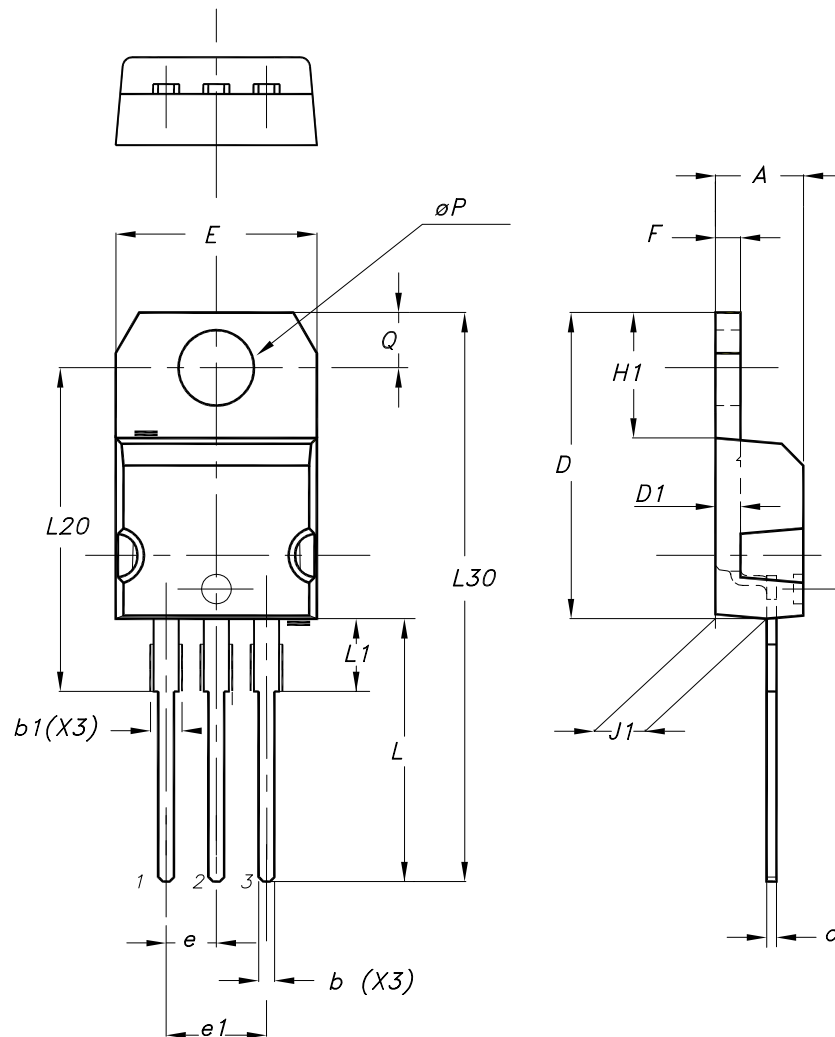
## 2 Package information

In order to meet environmental requirements, ST offers these devices in different grades of ECOPACK® packages, depending on their level of environmental compliance. ECOPACK® specifications, grade definitions and product status are available at: [www.st.com](http://www.st.com). ECOPACK® is an ST trademark.

### 2.1 TO-220AB package information

- Epoxy meets UL 94,V0
- Cooling method: by conduction (C)
- Recommended torque value: 0.55 N·m
- Maximum torque value: 0.70 N·m

Figure 9. TO-220AB package outline



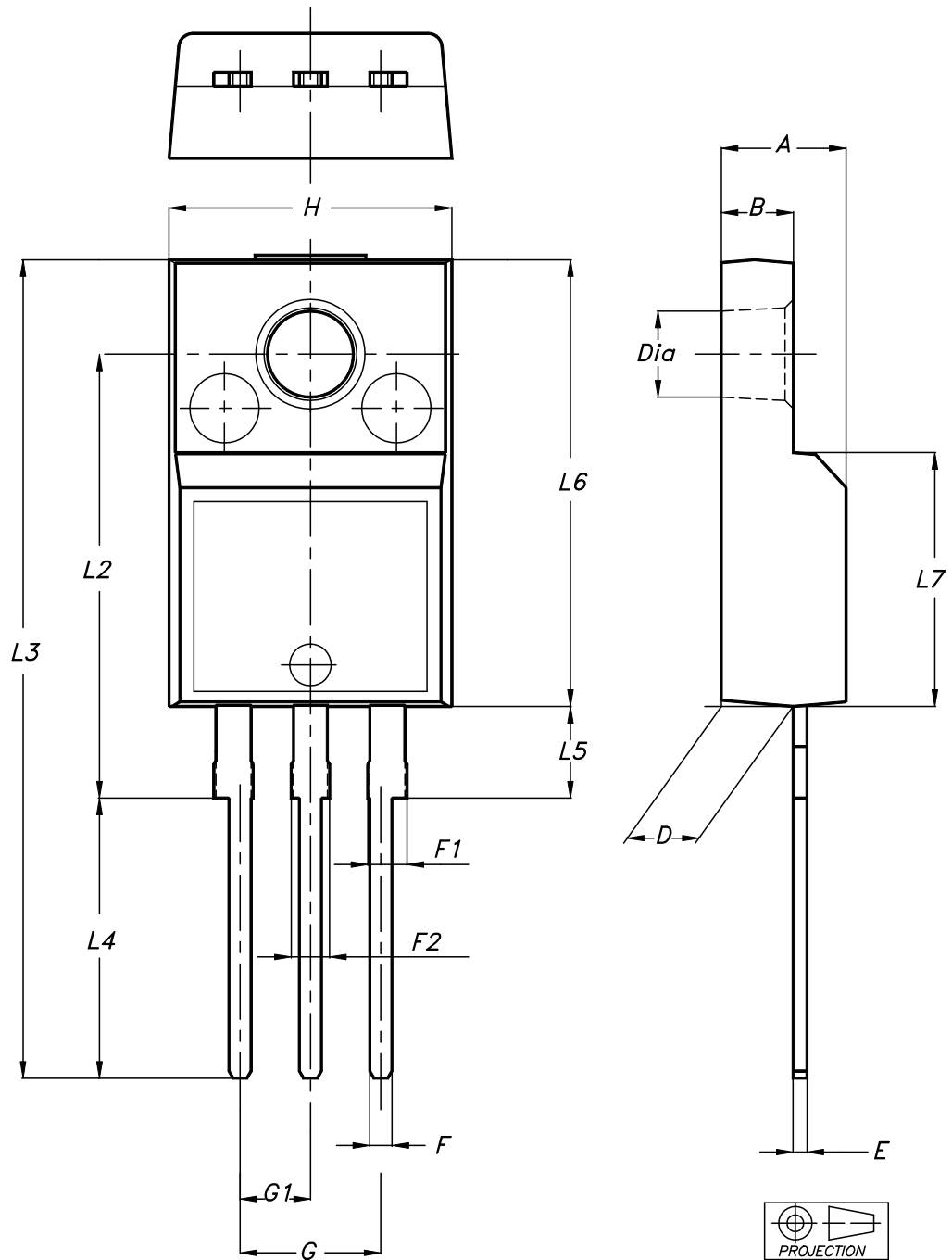
**Table 4. TO-220AB package mechanical data**

Ref.	Dimensions			
	Millimeters		Inches (for reference only)	
	Min.	Max.	Min.	Max.
A	4.40	4.60	0.173	0.181
b	0.61	0.88	0.240	0.035
b1	1.14	1.55	0.045	0.061
c	0.48	0.70	0.019	0.028
D	15.25	15.75	0.600	0.620
D1	1.27 typ.		0.050 typ.	
E	10.00	10.40	0.394	0.409
e	2.40	2.70	0.094	0.106
e1	4.95	5.15	0.195	0.203
F	1.23	1.32	0.048	0.052
H1	6.20	6.60	0.244	0.260
J1	2.40	2.72	0.094	0.107
L	13.00	14.00	0.512	0.551
L1	3.50	3.93	0.138	0.155
L20	16.40 typ.		0.646 typ.	
L30	28.90 typ.		1.138 typ.	
θP	3.75	3.85	0.148	0.152
Q	2.65	2.95	0.104	0.116

## 2.2 TO-220FPAB package information

- Epoxy meets UL 94, V0
- Cooling method: by conduction (C)
- Recommended torque value: 0.55 N·m
- Maximum torque value: 0.70 N·m

Figure 10. TO-220FPAB package outline





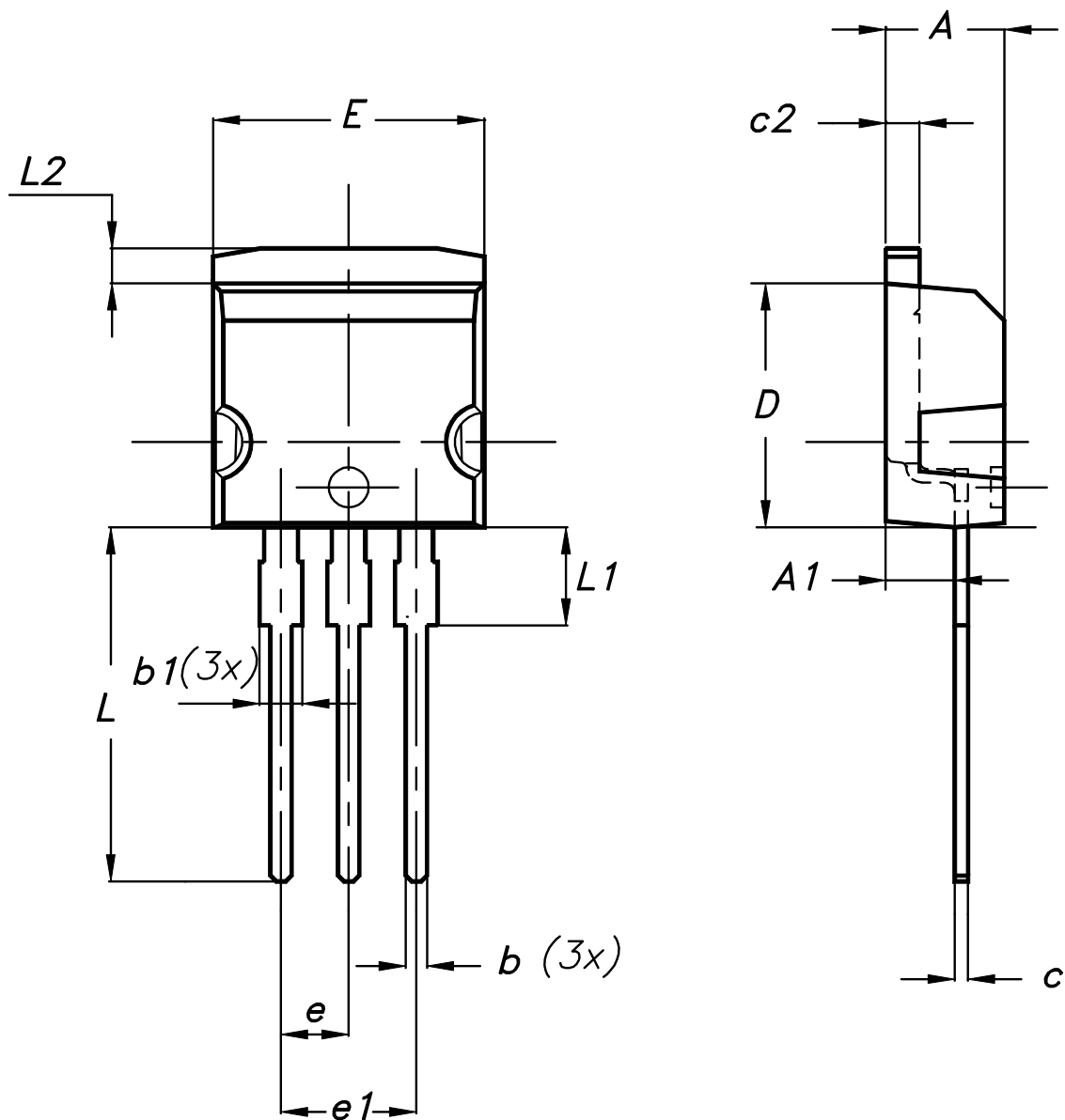
**Table 5. TO-220FPAB package mechanical data**

Ref.	Dimensions			
	Millimeters		Inches (for reference only)	
	Min.	Max.	Min.	Max.
A	4.40	4.60	0.1739	0.1818
B	2.50	2.70	0.0988	0.1067
D	2.50	2.75	0.0988	0.1087
E	0.45	0.70	0.0178	0.0277
F	0.75	1.00	0.0296	0.0395
F1	1.15	1.70	0.0455	0.0672
F2	1.15	1.70	0.0455	0.0672
G	4.95	5.20	0.1957	0.2055
G1	2.40	2.70	0.0949	0.1067
H	10.00	10.40	0.3953	0.4111
L2	16.00 typ.		0.6324 typ.	
L3	28.60	30.60	1.1304	1.2095
L4	9.80	10.60	0.3874	0.4190
L5	2.90	3.60	0.1146	0.1423
L6	15.90	16.40	0.6285	0.6482
L7	9.00	9.30	0.3557	0.3676
Dia	3.00	3.20	0.1186	0.1265

### 2.3 I<sup>2</sup>PAK package information

- Epoxy meets UL 94, V0
- Cooling method: by conduction (C)

Figure 11. I<sup>2</sup>PAK package outline



**Table 6. I<sup>2</sup>PAK package mechanical data**

Ref.	Dimensions			
	Millimeters		Inches (for reference only)	
	Min.	Max.	Min.	Max.
A	4.40	4.60	0.173	0.181
A1	2.40	2.72	0.094	0.107
b	0.61	0.88	0.024	0.035
b1	1.14	1.70	0.044	0.067
c	0.49	0.70	0.019	0.028
c2	1.23	1.32	0.048	0.052
D	8.95	9.35	0.352	0.368
e	2.40	2.70	0.094	0.106
e1	4.95	5.15	0.195	0.203
E	10.00	10.40	0.394	0.409
L	13.00	14.00	0.512	0.551
L1	3.50	3.93	0.138	0.155
L2	1.27	1.40	0.050	0.055

### 3 Ordering Information

**Table 7. Ordering information**

Order code	Marking	Package	Weight	Base qty.	Delivery mode
STPS30L120CT	STPS30L120CT	TO-220AB	1.95 g	50	Tube
STPS30L120CFP	STPS30L120CFP	TO-220FPAB	1.90 g	50	
STPS30L120CR	STPS30L120CR	I <sup>2</sup> PAK	1.50 g	50	

## Revision history

**Table 8. Document revision history**

Date	Version	Changes
28-Sep-2009	1	First issue.
17-Feb-2010	2	Updated Table 2. Added Figure 1 and Figure 13.
26-May-2011	3	Added I2PAK package.
03-Jul-2018	4	Removed figure 5, figure 6, figure 7, figure 13. Updated Figure 3. Normalized avalanche power derating versus pulse duration ( $T_j = 125\text{ °C}$ ) and Table 1. Absolute ratings (limiting values at $25\text{ °C}$ , unless otherwise specified, per diode). Minor text changes to improve readability.

**IMPORTANT NOTICE – PLEASE READ CAREFULLY**

STMicroelectronics NV and its subsidiaries (“ST”) reserve the right to make changes, corrections, enhancements, modifications, and improvements to ST products and/or to this document at any time without notice. Purchasers should obtain the latest relevant information on ST products before placing orders. ST products are sold pursuant to ST’s terms and conditions of sale in place at the time of order acknowledgement.

Purchasers are solely responsible for the choice, selection, and use of ST products and ST assumes no liability for application assistance or the design of Purchasers’ products.

No license, express or implied, to any intellectual property right is granted by ST herein.

Resale of ST products with provisions different from the information set forth herein shall void any warranty granted by ST for such product.

ST and the ST logo are trademarks of ST. All other product or service names are the property of their respective owners.

Information in this document supersedes and replaces information previously supplied in any prior versions of this document.

© 2018 STMicroelectronics – All rights reserved

单击下面可查看定价，库存，交付和生命周期等信息

[>>STMicro\(意法半导体\)](#)