

# iNEMO 6-axis IMU: 3-axis accelerometer and 3-axis gyroscope with digital output for industrial applications



**LGA-14L**  
(2.5 x 3.0 x 0.83 mm) typ.

#### Product status link

[ISM330DLC](#)

#### Product summary

Order code	ISM330DLCTR
Temperature range [°C]	-40 to +85
Package	LGA-14L (2.5 x 3.0 x 0.83 mm)
Packing	Tape and reel

#### Product resources

[TN0018](#) (design and soldering)

#### Product label



## Features

- 3-axis accelerometer with selectable full scale:  $\pm 2/\pm 4/\pm 8/\pm 16 g$
- 3-axis gyroscope with selectable full scale:  $\pm 125/\pm 250/\pm 500/\pm 1000/\pm 2000 dps$
- Analog supply voltage: 1.71 V to 3.6 V
- SPI & I<sup>2</sup>C serial interface with main processor data synchronization
- Dedicated gyroscope output chain with low latency, low noise, and dedicated low-pass filters for control loop stability (OIS and other stabilization applications)
- Auxiliary SPI serial interface for independent, low-noise low-latency data output for gyroscope and accelerometer
- Ultralow power consumption for both accelerometer and gyroscope enabling long-lasting battery-operated applications: 0.5 mA in combo normal mode and 0.75 mA in combo high-performance mode
- Smart FIFO up to 4 KB
- Smart embedded functions and interrupts: tilt detection, free-fall, wake-up, 6D/4D orientation, click and double click
- Sensor hub feature to efficiently collect data from additional external sensors
- Embedded hard, soft ironing for external magnetic sensor corrections
- Embedded temperature sensor
- Embedded self-test both for gyroscope and accelerometer
- High shock survivability
- Extended operating temperature range (-40 °C to +85 °C)
- **ECOPACK** and RoHS and compliant

## Applications

- Industrial IoT and connected devices
- Antennas, platforms, and optical image and lens stabilization
- Robotics, drones, and industrial automation
- Navigation systems and telematics
- Vibration monitoring and compensation

## Description

The ISM330DLC is a system-in-package 6-axis IMU (inertial measurement unit), featuring a high-performance 3-axis digital accelerometer and 3-axis digital gyroscope tailored for Industry 4.0 applications.

ST's family of MEMS sensor modules leverages the robust and mature manufacturing processes already used for the production of micromachined accelerometers and gyroscopes.

The various sensing elements are manufactured using specialized micromachining processes, while the IC interfaces are developed using CMOS technology that allows the design of a dedicated circuit, which is trimmed to better match the characteristics of the sensing element.

In the ISM330DLC, the sensing element of the accelerometer and of the gyroscope are implemented on the same silicon die, thus guaranteeing superior stability and robustness.

The ISM330DLC has a full-scale acceleration range of  $\pm 2/\pm 4/\pm 8/\pm 16$  g and an angular rate range of  $\pm 125/\pm 250/\pm 500/\pm 1000/\pm 2000$  dps.

Delivering high accuracy and stability with ultralow power consumption (0.75 mA in high-performance, combo mode) enables, also in the industrial domain, long-lasting battery-operated applications.

The ISM330DLC includes a dedicated configurable signal processing path with low latency, low noise, and dedicated filtering specifically intended for control loop stability. Data from this dedicated signal path can be made available through an auxiliary SPI interface, configurable for both the gyroscope and accelerometer. High-performance, high-quality, small size and low power consumption together with high robustness to mechanical shock makes the ISM330DLC the preferred choice of system designers for the creation and manufacturing of versatile and reliable products.

The ISM330DLC is available in a plastic, land grid array (LGA) package.

## 1 Overview

The ISM330DLC is a system-in-package featuring a high-performance 3-axis digital accelerometer and 3-axis digital gyroscope tailored for Industry 4.0 applications.

The ISM330DLC has a full-scale acceleration range of  $\pm 2/\pm 4/\pm 8/\pm 16$  g, an angular rate range of  $\pm 125/\pm 250/\pm 500/\pm 1000/\pm 2000$  dps and is capable of delivering highly accurate and reliable measurements at an ultralow power consumption (0.75 mA in high-performance, combo mode).

The ISM330DLC embeds smart features that simplify and optimize the application design and allows the usage of complex motion-sensing information also in power-constrained applications.

The event-detection interrupts enable efficient and reliable motion tracking and contextual awareness, implementing hardware recognition of free-fall events, 6D orientation, click and double-click sensing, activity or inactivity, and wake-up events.

Up to 4 KB of FIFO with dynamic allocation of significant data (that is, external sensors, timestamp, and so forth) allows overall power saving of the system and protects against any loss of data.

With the sensor hub feature, data from up to four external sensors can be collected and stored in the internal FIFO without any intervention from the application microcontroller.

Moreover, the ISM330DLC offers specific support, both for the gyroscope and the accelerometer, to applications requiring closed control loop. The device, through a dedicated auxiliary SPI interface and a configurable signal processing path having low latency and low noise, can provide data for the control loop while, at the same time, a second fully independent path can output data for other application intents.

Like the entire portfolio of MEMS sensor modules, the ISM330DLC leverages the robust and mature in-house manufacturing processes already used for the production of micromachined accelerometers and gyroscopes. The various sensing elements are manufactured using specialized micromachining processes, while the IC interfaces are developed using CMOS technology that allows the design of a dedicated circuit, which is trimmed to better match the characteristics of the sensing element.

In the ISM330DLC, the sensing element of the accelerometer and of the gyroscope are implemented on the same silicon die, thus guaranteeing superior stability and robustness.

The ISM330DLC is available in a small plastic land grid array (LGA) package of 2.5 x 3.0 x 0.83 mm.

## 2 Embedded smart features

The ISM330DLC features the following on-chip smart functions:

- 4 KB data buffering
  - 100% efficiency with flexible configurations and partitioning
  - Possibility to store timestamp
- Event-detection interrupts (fully configurable)
  - Free-fall
  - Wake-up
  - 6D orientation
  - Click and double-click sensing
  - Activity / inactivity recognition
  - Tilt (refer to [Section 2.1 Tilt detection](#) for additional information)
- Sensor hub
  - Up to six total sensors: two internal (accelerometer and gyroscope) and four external sensors
  - Data rate synchronization with external trigger

### 2.1 Tilt detection

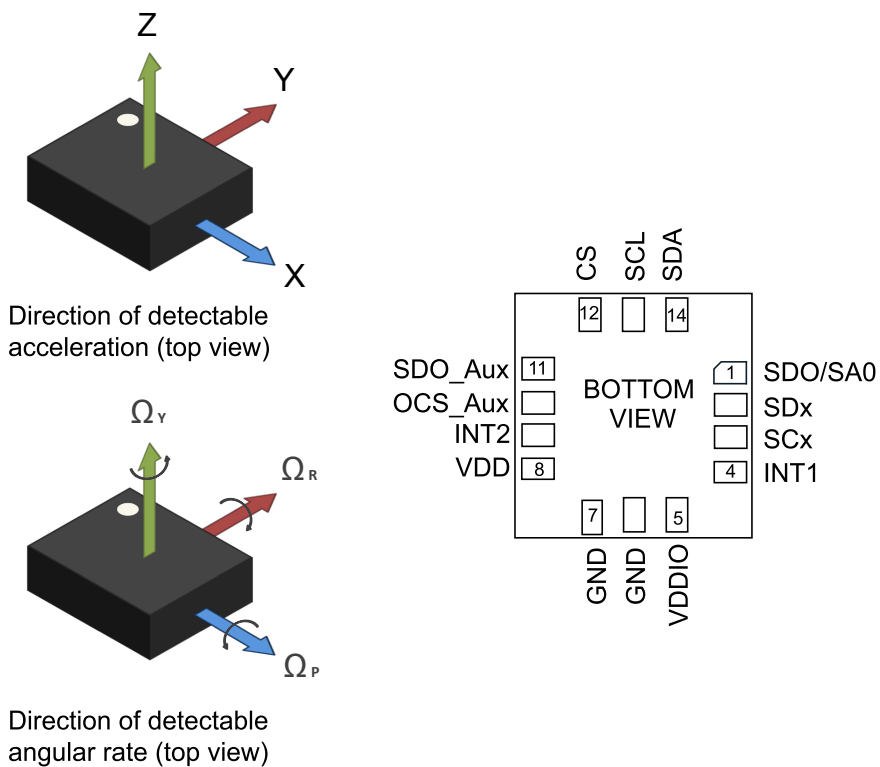
The tilt function helps to detect activity change and has been implemented in hardware using only the accelerometer to achieve both the targets of ultralow power consumption and robustness during the short duration of dynamic accelerations.

The tilt function is based on a trigger of an event each time the device's tilt changes. It is configurable through:

- A programmable average window
- A programmable average threshold

### 3 Pin description

Figure 1. Pin connections

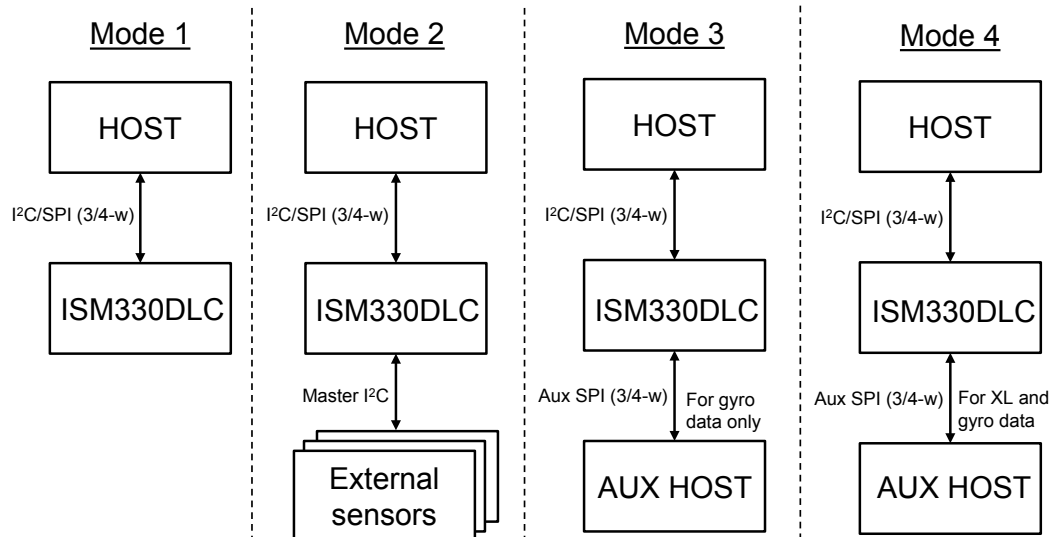


### 3.1 Pin connections

The ISM330DLC offers flexibility to connect the pins in order to have four different mode connections and functionalities. In detail:

- **Mode 1:** I<sup>2</sup>C slave interface or SPI (3- and 4-wire) serial interface is available.
- **Mode 2:** I<sup>2</sup>C slave interface or SPI (3- and 4-wire) serial interface and I<sup>2</sup>C interface master for external sensor connections are available.
- **Mode 3:** I<sup>2</sup>C slave interface or SPI (3- and 4-wire) serial interface is available for the application processor interface while an auxiliary SPI (3- and 4-wire) serial interface is available for an auxiliary host to access the gyroscope ONLY.
- **Mode 4:** I<sup>2</sup>C slave interface or SPI (3- and 4-wire) serial interface is available for the application processor interface while an auxiliary SPI (3- and 4-wire) serial interface is available for an auxiliary host to access the accelerometer and gyroscope.

**Figure 2. ISM330DLC connection modes**



In the following table, each mode is described for the pin connections and function.

**Table 1. Pin description**

Pin #	Name	Mode 1 function	Mode 2 function	Mode 3 / mode 4 function
1	SDO/SA0	SPI 4-wire interface serial data output (SDO) I <sup>2</sup> C least significant bit of the device address (SA0)	SPI 4-wire interface serial data output (SDO) I <sup>2</sup> C least significant bit of the device address (SA0)	SPI 4-wire interface serial data output (SDO) I <sup>2</sup> C least significant bit of the device address (SA0)
2	SDx	Connect to VDDIO or GND	I <sup>2</sup> C serial data master (MSDA)	Auxiliary SPI 3/4-wire interface serial data input (SDI) and SPI 3-wire serial data output (SDO)
3	SCx	Connect to VDDIO or GND	I <sup>2</sup> C serial clock master (MSCL)	Auxiliary SPI (3/4-wire) interface serial port clock (SPC_Aux)
4	INT1	Programmable interrupt 1		
5	VDDIO <sup>(1)</sup>	Power supply for I/O pins		
6	GND	0 V supply		
7	GND	0 V supply		
8	VDD <sup>(1)</sup>	Power supply		
9	INT2	Programmable interrupt 2 (INT2) / Data enable (DEN)	Programmable interrupt 2 (INT2) / Data enable (DEN)/ I <sup>2</sup> C master external synchronization signal (MDRDY)	Programmable interrupt 2 (INT2) / Data enable (DEN)
10	OCS_Aux	Leave unconnected <sup>(2)</sup>	Leave unconnected <sup>(2)</sup>	Enables auxiliary SPI 3/4-wire interface
11	SDO_Aux	Connect to VDD_IO or leave unconnected <sup>(2)</sup>	Connect to VDD_IO or leave unconnected <sup>(2)</sup>	Auxiliary SPI 3-wire interface: leave unconnected <sup>(2)</sup> Auxiliary SPI 4-wire interface: serial data output (SDO_Aux)
12	CS	I <sup>2</sup> C/SPI mode selection (1: SPI idle mode / I <sup>2</sup> C communication enabled; 0: SPI communication mode / I <sup>2</sup> C disabled)	I <sup>2</sup> C/SPI mode selection (1: SPI idle mode / I <sup>2</sup> C communication enabled; 0: SPI communication mode / I <sup>2</sup> C disabled)	I <sup>2</sup> C/SPI mode selection (1: SPI idle mode / I <sup>2</sup> C communication enabled; 0: SPI communication mode / I <sup>2</sup> C disabled)
13	SCL	I <sup>2</sup> C serial clock (SCL) SPI serial port clock (SPC)	I <sup>2</sup> C serial clock (SCL) SPI serial port clock (SPC)	I <sup>2</sup> C serial clock (SCL) SPI serial port clock (SPC)
14	SDA	I <sup>2</sup> C serial data (SDA) SPI serial data input (SDI) 3-wire interface serial data output (SDO)	I <sup>2</sup> C serial data (SDA) SPI serial data input (SDI) 3-wire interface serial data output (SDO)	I <sup>2</sup> C serial data (SDA) SPI serial data input (SDI) 3-wire interface serial data output (SDO)

1. Recommended 100 nF filter capacitor.

2. Leave pin electrically unconnected and soldered to PCB.

## 4 Module specifications

### 4.1 Mechanical characteristics

@ Vdd = 1.8 V, T = 25 °C unless otherwise noted.

**Table 2. Mechanical characteristics**

Symbol	Parameter	Test conditions	Min. <sup>(1)</sup>	Typ. <sup>(2)</sup>	Max. <sup>(1)</sup>	Unit
LA_FS	Linear acceleration measurement range			±2		g
				±4		
				±8		
				±16		
G_FS	Angular rate measurement range			±125		dps
				±250		
				±500		
				±1000		
LA_So	Linear acceleration sensitivity <sup>(3)</sup>	FS = ±2	-3%	0.061	+3%	mg/LSB
		FS = ±4		0.122		
		FS = ±8		0.244		
		FS = ±16		0.488		
G_So	Angular rate sensitivity <sup>(3)</sup>	FS = ±125	-3%	4.375	+3%	mdps/LSB
		FS = ±250		8.75		
		FS = ±500		17.50		
		FS = ±1000		35		
		FS = ±2000		70		
LA_SoDr	Linear acceleration sensitivity change vs. temperature <sup>(4)</sup>	from -40° to +85° delta from T = +25°	-0.024	±0.01	+0.024	%/°C
G_SoDr	Angular rate sensitivity change vs. temperature <sup>(4)</sup>	from -40° to +85° delta from T = +25°	-0.048	±0.007	+0.048	%/°C
LA_TyOff	Linear acceleration zero-g level offset accuracy <sup>(5)</sup>		-85	±40	+85	mg
G_TyOff	Angular rate zero-rate level <sup>(5)</sup>			±2		dps
LA_OffDr	Linear acceleration zero-g level change vs. temperature <sup>(4)</sup>			±0.1		mg/°C
G_OffDr	Angular rate typical zero-rate level change vs. temperature <sup>(4)</sup>			±0.015		dps/°C
LA_NL	Linear acceleration nonlinearity <sup>(4)</sup>	@FS = ±8 g Best-fit straight line		±2		%FS
G_NL	Angular rate nonlinearity <sup>(4)</sup>	@FS = ±2000 dps Best-fit straight line		±0.07		%FS
Rn	Rate noise density in high-performance mode <sup>(6)</sup>			3.8	11	mdps/√Hz
RnRMS	Gyroscope RMS noise in normal/low-power mode <sup>(7)</sup>			75		mdps
An	Acceleration noise density in high-performance mode <sup>(8)</sup>	FS = ±2 g		75	170	μg/√Hz
		FS = ±4 g		80	170	



Symbol	Parameter	Test conditions	Min. <sup>(1)</sup>	Typ. <sup>(2)</sup>	Max. <sup>(1)</sup>	Unit
An	Acceleration noise density in high-performance mode <sup>(8)</sup>	FS = ±8 g		90	180	µg/√Hz
		FS = ±16 g		130	230	
RMS	Acceleration RMS noise in normal/low-power mode <sup>(9)(10)</sup>	FS = ±2 g		1.8		mg(RMS)
		FS = ±4 g		2.0		
		FS = ±8 g		2.4		
		FS = ±16 g		3.0		
LA_ODR	Linear acceleration output data rate			1.6		Hz
				12.5		
				26		
				52		
				104		
				208		
				416		
				833		
				1666		
				3332		
		6664				
G_ODR	Angular rate output data rate			12.5		Hz
				26		
				52		
				104		
				208		
				416		
				833		
				1666		
				3332		
				6664		
LA_F0	Sensor resonant frequency	X,Y-axis		3.0		kHz
		Z-axis		2.2		
G_F0	Sensor resonant frequency			20		kHz
Vst	Linear acceleration self-test output change <sup>(12)(13)(14)</sup>		90		1700	mg
	Angular rate self-test output change <sup>(15)(16)</sup>	FS = ±250 dps	20		80	dps
		FS = ±2000 dps	150		700	dps
Top	Operating temperature range		-40		+85	°C

1. Min/Max values are based on characterization results, not tested in production and not guaranteed.
2. Typical specifications are not guaranteed.
3. Sensitivity values after factory calibration test and trimming.
4. Measurements are performed in a uniform temperature setup and they are based on characterization data in a limited number of samples. Not measured during final test for production.
5. Values after factory calibration test and trimming.
6. Gyroscope rate noise density in high-performance mode is independent of the ODR and FS setting.
7. Gyroscope RMS noise in normal/low-power mode is independent of the ODR and FS setting.
8. Accelerometer noise density in high-performance mode is independent of the ODR.
9. Accelerometer RMS noise in normal/low-power mode is independent of the ODR.
10. Noise RMS related to BW = ODR/2 (for ODR/9, typ value can be calculated by Typ \*0.6).

11. This ODR is available when accelerometer is in low-power mode.
12. The sign of the linear acceleration self-test output change is defined by the  $ST_x\_XL$  bits in  $CTRL5\_C$  (14h), Table 63 for all axes.
13. The linear acceleration self-test output change is defined with the device in stationary condition as the absolute value of:  $OUTPUT[LSb]$  (self-test enabled) -  $OUTPUT[LSb]$  (self-test disabled). 1LSb = 0.061 mg at  $\pm 2$  g full scale.
14. Accelerometer self-test limits are full-scale independent.
15. The sign of the angular rate self-test output change is defined by the  $ST_x\_G$  bits in  $CTRL5\_C$  (14h), Table 62 for all axes.
16. The angular rate self-test output change is defined with the device in stationary condition as the absolute value of:  $OUTPUT[LSb]$  (self-test enabled) -  $OUTPUT[LSb]$  (self-test disabled). 1LSb = 70 mdps at  $\pm 2000$  dps full scale.

## 4.2 Electrical characteristics

@ Vdd = 1.8 V, T = 25 °C unless otherwise noted.

**Table 3. Electrical characteristics**

Symbol	Parameter	Test conditions	Min.	Typ. <sup>(1)</sup>	Max.	Unit
Vdd	Supply voltage		1.71	1.8	3.6	V
Vdd_IO	Power supply for I/O		1.62		3.6	V
IddHP	Gyroscope and accelerometer current consumption in high-performance mode	ODR = 1.6 kHz		0.75		mA
IddNM	Gyroscope and accelerometer current consumption in normal mode	ODR = 208 Hz		0.5		mA
IddLP	Gyroscope and accelerometer current consumption in low-power mode	ODR = 52 Hz		0.35		mA
LA_IddHP	Accelerometer current consumption in high-performance mode	ODR < 1.6 kHz ODR ≥ 1.6 kHz		180 190		μA
LA_IddNM	Accelerometer current consumption in normal mode	ODR = 208 Hz		85		μA
LA_IddLM	Accelerometer current consumption in low-power mode	ODR = 52 Hz ODR = 12.5 Hz ODR = 1.6 Hz		25 9 4.5		μA
IddPD	Gyroscope and accelerometer current consumption during power-down			3		μA
Ton	Turn-on time			35		ms
V <sub>IH</sub>	Digital high-level input voltage		0.7 *VDD_IO			V
V <sub>IL</sub>	Digital low-level input voltage				0.3 *VDD_IO	V
V <sub>OH</sub>	High-level output voltage	I <sub>OH</sub> = 4 mA <sup>(2)</sup>	VDD_IO - 0.2			V
V <sub>OL</sub>	Low-level output voltage	I <sub>OL</sub> = 4 mA <sup>(2)</sup>			0.2	V
Top	Operating temperature range		-40		+85	°C

1. Typical specifications are not guaranteed.
2. 4 mA is the maximum driving capability, that is, the maximum DC current that can be sourced/sunk by the digital pad in order to guarantee the correct digital output voltage levels V<sub>OH</sub> and V<sub>OL</sub>.

## 4.3 Temperature sensor characteristics

@ Vdd = 1.8 V, T = 25 °C unless otherwise noted.

**Table 4. Temperature sensor characteristics**

Symbol	Parameter	Test condition	Min.	Typ. <sup>(1)</sup>	Max.	Unit
TODR <sup>(2)</sup>	Temperature refresh rate			52		Hz
Toff	Temperature offset <sup>(3)</sup>		-15		+15	°C
TSen	Temperature sensitivity			256		LSB/°C
TST	Temperature stabilization time <sup>(4)</sup>				500	μs
T_ADC_res	Temperature ADC resolution			16		bit
Top	Operating temperature range		-40		+85	°C

1. Typical specifications are not guaranteed.
2. When the accelerometer is in low-power mode and the gyroscope part is turned off, the TODR value is equal to the accelerometer ODR.
3. The output of the temperature sensor is 0 LSB (typ.) at 25 °C.
4. Time from power ON to valid data based on characterization data.

## 4.4 Communication interface characteristics

### 4.4.1 SPI - serial peripheral interface

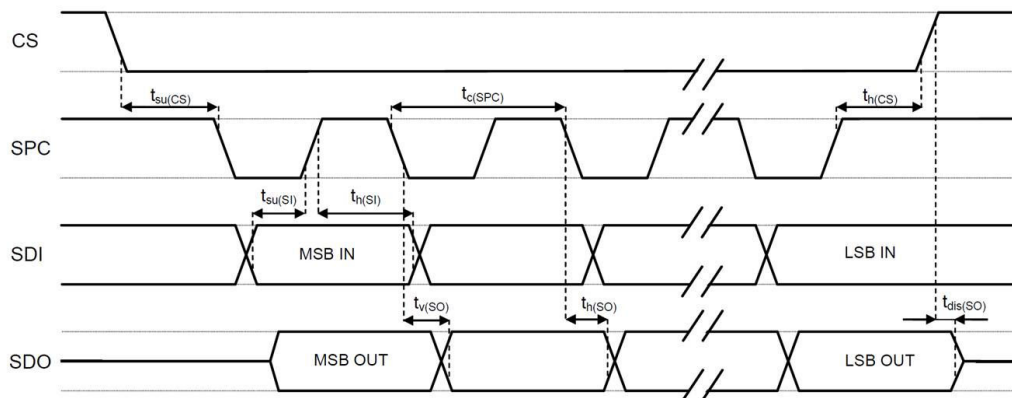
Subject to general operating conditions for Vdd and Top.

**Table 5. SPI slave timing values**

Symbol	Parameter	Value <sup>(1)</sup>		Unit
		Min	Max	
$t_{c(SPC)}$	SPI clock cycle	100		ns
$f_{c(SPC)}$	SPI clock frequency		10	MHz
$t_{su(CS)}$	CS setup time	5		ns
$t_{h(CS)}$	CS hold time	20		
$t_{su(SI)}$	SDI input setup time	5		
$t_{h(SI)}$	SDI input hold time	15		
$t_{v(SO)}$	SDO valid output time		50	
$t_{h(SO)}$	SDO output hold time	5		
$t_{dis(SO)}$	SDO output disable time		50	

1. Values are evaluated at 10 MHz clock frequency for SPI with both 4 and 3 wires, based on characterization results, not tested in production

**Figure 3. SPI slave timing diagram**

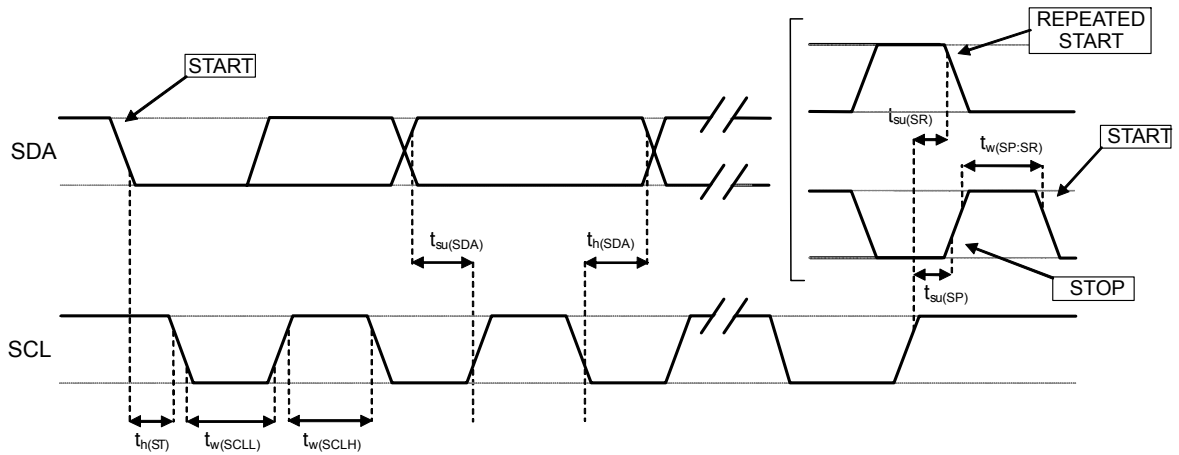


Note: Measurement points are done at  $0.3 \cdot V_{dd\_IO}$  and  $0.7 \cdot V_{dd\_IO}$  for both input and output ports.

#### 4.4.2 I<sup>2</sup>C- inter-IC control interface

Subject to general operating conditions for V<sub>dd</sub> and Top.

Figure 4. I<sup>2</sup>C timing diagram



Note: Measurement points are done at 0.3·V<sub>dd\_IO</sub> and 0.7·V<sub>dd\_IO</sub> for both ports.

##### 4.4.2.1 I<sup>2</sup>C slave

Table 6. I<sup>2</sup>C slave timing values

Symbol	Parameter	I <sup>2</sup> C standard mode <sup>(1)</sup>		I <sup>2</sup> C fast mode <sup>(1)</sup>		Unit
		Min	Max	Min	Max	
f <sub>(SCL)</sub>	SCL clock frequency	0	100	0	400	kHz
t <sub>w(SCLL)</sub>	SCL clock low time	4.7		1.3		μs
t <sub>w(SCLH)</sub>	SCL clock high time	4.0		0.6		
t <sub>su(SDA)</sub>	SDA setup time	250		100		ns
t <sub>h(SDA)</sub>	SDA data hold time	0	3.45	0	0.9	μs
t <sub>h(ST)</sub>	START condition hold time	4		0.6		μs
t <sub>su(SR)</sub>	Repeated START condition setup time	4.7		0.6		
t <sub>su(SP)</sub>	STOP condition setup time	4		0.6		
t <sub>w(SP:SR)</sub>	Bus free time between STOP and START condition	4.7		1.3		

1. Data based on standard I<sup>2</sup>C protocol requirement, not tested in production.

**4.4.2.2 I<sup>2</sup>C master**

When in I<sup>2</sup>C master mode, an external sensor can be connected to the ISM330DLC. The ISM330DLC supports I<sup>2</sup>C master - fast mode only.

**Table 7. I<sup>2</sup>C slave timing values**

Symbol	Parameter	I <sup>2</sup> C master	I <sup>2</sup> C fast mode (min)	Unit
f <sub>(SCL)</sub>	SCL clock frequency	116.3	0 (400 kHz max)	kHz
t <sub>w(SCLL)</sub>	SCL clock low time	5.86	1.3	μs
t <sub>w(SCLH)</sub>	SCL clock high time	2.74	0.6	ns
	Data valid time	3.9	-	μs
	SDA hold time	≥0	0	ns
	SDA setup time	≥100	100	ns
t <sub>su(SR)</sub>	Repeated START condition setup time	1.56	0.6	μs
t <sub>su(HD)</sub>	Repeated START condition hold time	1.56	0.6	μs
t <sub>su(SP)</sub>	STOP condition setup time	2.73	0.6	μs
t <sub>w(SP:SR)</sub>	Bus free time between STOP and START condition	21	1.3	μs

## 4.5 Absolute maximum ratings

Stresses above those listed as “absolute maximum ratings” may cause permanent damage to the device. This is a stress rating only and functional operation of the device under these conditions is not implied. Exposure to maximum rating conditions for extended periods may affect device reliability.

**Table 8. Absolute maximum ratings**

Symbol	Ratings	Maximum value	Unit
Vdd	Supply voltage	-0.3 to 4.8	V
T <sub>STG</sub>	Storage temperature range	-40 to +125	°C
Sg	Acceleration g for 0.2 ms	10,000	g
ESD	Electrostatic discharge protection (HBM)	2	kV
V <sub>in</sub>	Input voltage on any control pin (including CS, SCL/SPC, SDA/SDI/SDO, SDO/SA0)	-0.3 to Vdd_IO +0.3	V

*Note:* Supply voltage on any pin should never exceed 4.8 V.

## 4.6 Terminology

### 4.6.1 Sensitivity

Linear acceleration sensitivity can be determined, for example, by applying 1 g acceleration to the device. Because the sensor can measure DC accelerations, this can be done easily by pointing the selected axis towards the ground, noting the output value, rotating the sensor 180 degrees (pointing towards the sky) and noting the output value again. By doing so,  $\pm 1$  g acceleration is applied to the sensor. Subtracting the larger output value from the smaller one, and dividing the result by 2, leads to the actual sensitivity of the sensor. This value changes very little over temperature and over time. The sensitivity tolerance describes the range of sensitivities of a large number of sensors (see mechanical characteristics).

An angular rate gyroscope is a device that produces a positive-going digital output for counterclockwise rotation around the axis considered. Sensitivity describes the gain of the sensor and can be determined by applying a defined angular velocity to it. This value changes very little over temperature and time (see mechanical characteristics).

### 4.6.2 Zero-g and zero-rate level

Linear acceleration zero-g level offset (TyOff) describes the deviation of an actual output signal from the ideal output signal if no acceleration is present. A sensor in a steady state on a horizontal surface measures 0 g on both the X-axis and Y-axis, whereas the Z-axis measures 1 g. Ideally, the output is in the middle of the dynamic range of the sensor (content of OUT registers 00h, data expressed as two's complement number). A deviation from the ideal value in this case is called zero-g offset.

Offset is to some extent a result of stress to the MEMS sensor and therefore the offset can slightly change after mounting the sensor onto a printed circuit board or exposing it to extensive mechanical stress. Offset changes little over temperature, see "Linear acceleration zero-g level change vs. temperature" in the mechanical characteristics. The zero-g level tolerance (TyOff) describes the standard deviation of the range of zero-g levels of a group of sensors.

Zero-rate level describes the actual output signal if there is no angular rate present. The zero-rate level of precise MEMS sensors is, to some extent, a result of stress to the sensor and therefore the zero-rate level can slightly change after mounting the sensor onto a printed circuit board or after exposing it to extensive mechanical stress. This value changes very little over temperature and time (see mechanical characteristics).



## 5 Functionality

### 5.1 Operating modes

In the ISM330DLC, the accelerometer and the gyroscope can be turned on/off independently of each other and are allowed to have different ODRs and power modes.

The ISM330DLC has three operating modes available:

- Only accelerometer active and gyroscope in power-down
- Only gyroscope active and accelerometer in power-down
- Both accelerometer and gyroscope sensors active with independent ODR

The accelerometer is activated from power-down by writing ODR\_XL[3:0] in **CTRL1\_XL (10h)** while the gyroscope is activated from power-down by writing ODR\_G[3:0] in **CTRL2\_G (11h)**. For combo mode, the ODRs are totally independent.

### 5.2 Gyroscope power modes

In the ISM330DLC, the gyroscope can be configured in four different operating modes: power-down, low-power, normal mode and high-performance mode. The operating mode selected depends on the value of the G\_HM\_MODE bit in **CTRL7\_G (16h)**. If G\_HM\_MODE is set to 0, high-performance mode is valid for all ODRs (from 12.5 Hz up to 6.66 kHz).

To enable the low-power and normal mode, the G\_HM\_MODE bit has to be set to 1. Low-power mode is available for lower ODRs (12.5, 26, 52 Hz) while normal mode is available for ODRs equal to 104 and 208 Hz.

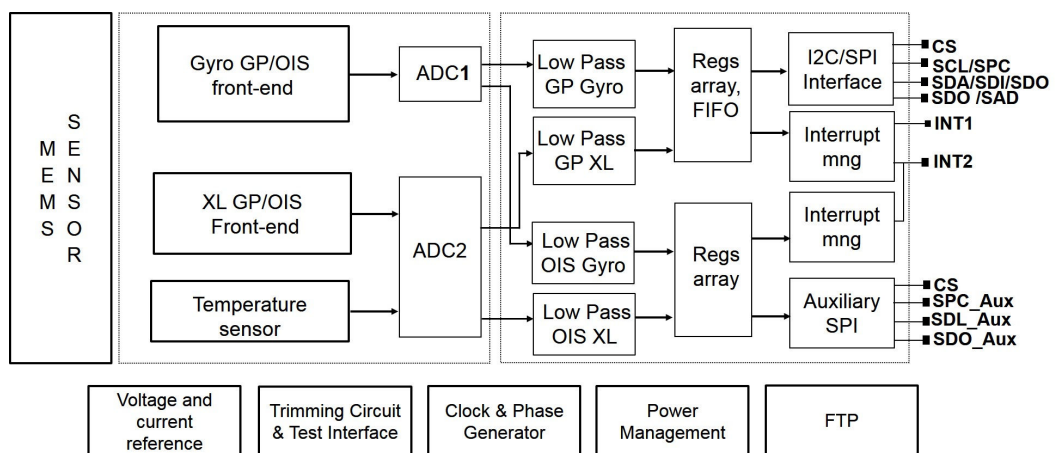
### 5.3 Accelerometer power modes

In the ISM330DLC, the accelerometer can be configured in four different operating modes: power-down, low-power, normal mode and high-performance mode. The operating mode selected depends on the value of the XL\_HM\_MODE bit in **CTRL6\_C (15h)**. If XL\_HM\_MODE is set to 0, high-performance mode is valid for all ODRs (from 12.5 Hz up to 6.66 kHz).

To enable the low-power and normal mode, the XL\_HM\_MODE bit has to be set to 1. Low-power mode is available for lower ODRs (1.6, 12.5, 26, 52 Hz) while normal mode is available for ODRs equal to 104 and 208 Hz.

### 5.4 Block diagram of filters

Figure 5. Block diagram of filters

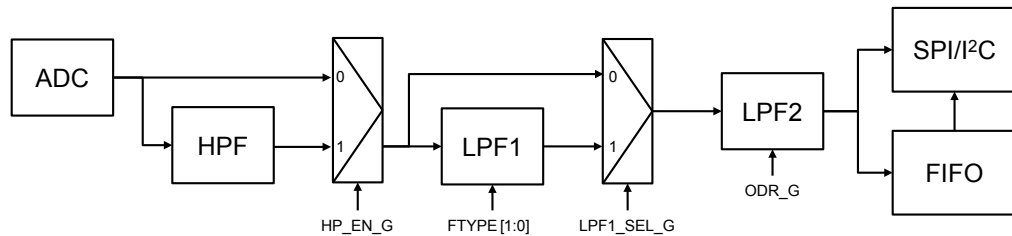


### 5.4.1 Block diagrams of the gyroscope filters

In the ISM330DLC, the gyroscope filtering chain depends on the mode configuration:

1. Mode 1 (for general-purpose (GP) functionality through primary interface) and mode 2

**Figure 6. Gyroscope digital chain - mode 1 (GP) and mode 2**

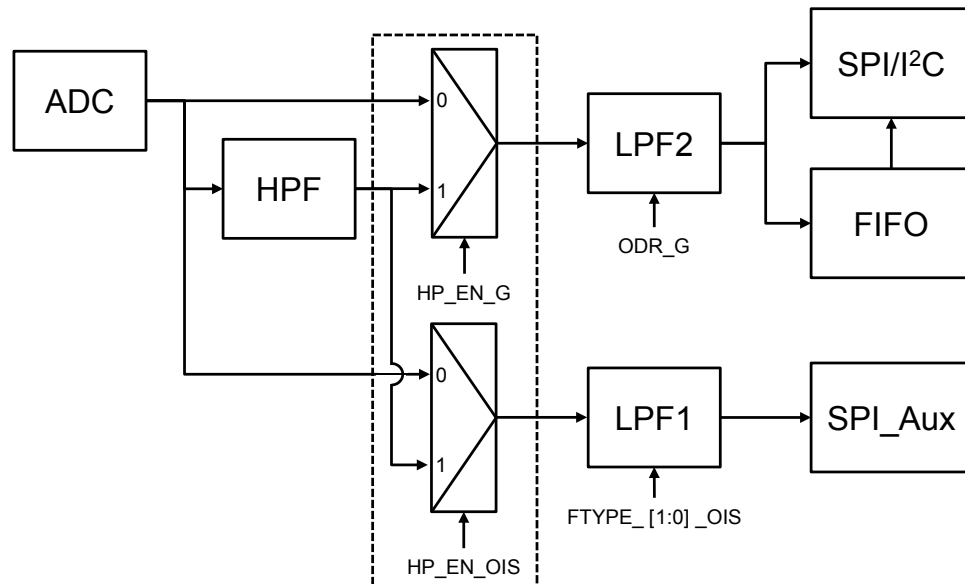


In this configuration, the gyroscope ODR is selectable from 12.5 Hz up to 6.66 kHz. A low-pass filter (LPF1) is available if the auxiliary SPI is disabled, for more details about the filter characteristics see [Table 67. Gyroscope LPF1 bandwidth selection](#).

Data can be acquired from the output registers and FIFO over the primary I<sup>2</sup>C/SPI interface.

1. Mode 3 / mode 4 (for control loop functionality (OIS))

**Figure 7. Gyroscope digital chain - mode 3 / mode 4 (OIS)**



**Note:** *HP\_EN\_OIS is active to select HPF on the auxiliary SPI chain only if HPF is not already used in the primary interface.*

In this configuration, there are two paths:

- The chain for general purpose (GP) where the ODR is selectable from 12.5 Hz up to 6.66 kHz.
- The chain for OIS where the ODR is at 6.66 kHz and the LPF1 is available. For more details about the filter characteristics, see [Table 215. Gyroscope OIS chain LPF1 bandwidth selection](#).

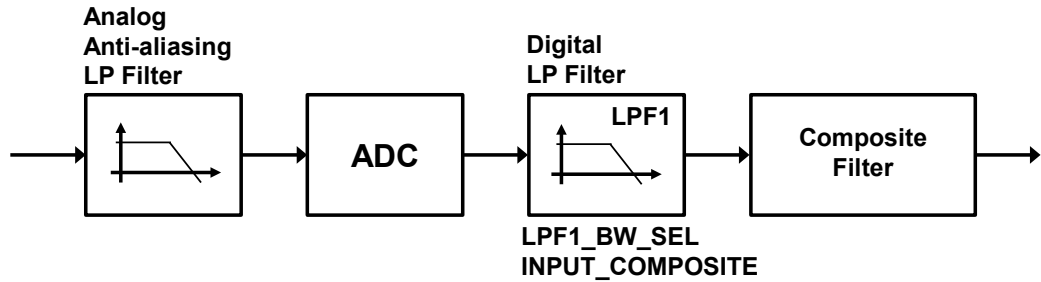
### 5.4.2 Block diagrams of the accelerometer filters

In the ISM330DLC, the filtering chain for the accelerometer part is composed of the following:

- Analog filter (anti-aliasing)
- Digital filter (LPF1)
- Composite filter

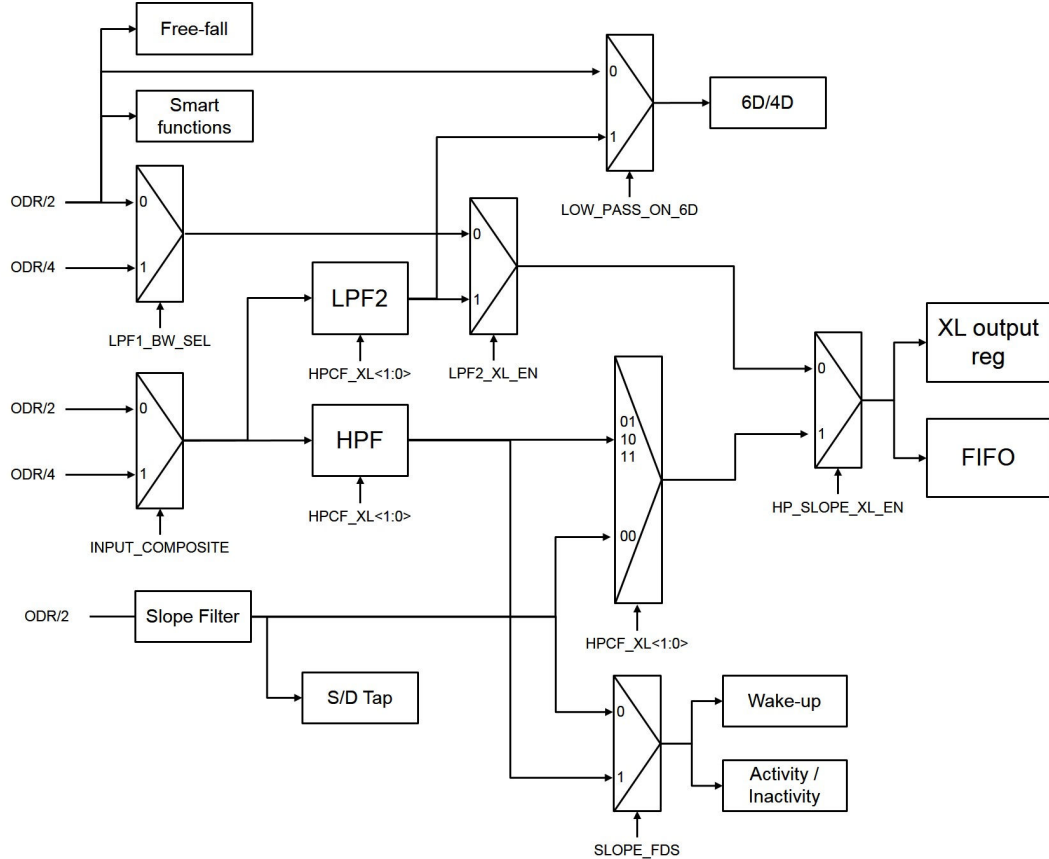
Details of the block diagram appear in the following figure.

Figure 8. Accelerometer chain



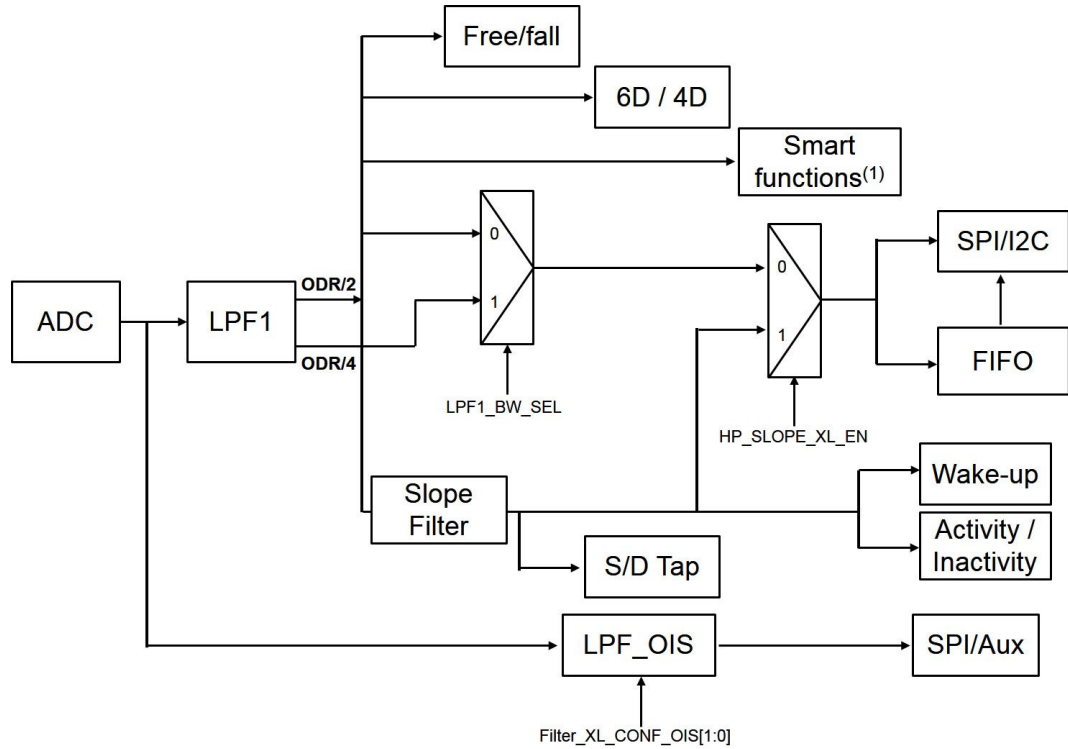
The configuration of the digital filter can be set using the LPF1\_BW\_SEL bit in CTRL1\_XL (10h) and the INPUT\_COMPOSITE bit in CTRL8\_XL (17h).

Figure 9. Accelerometer composite filter (for modes 1/2 and mode 3\*)



Note: \* Mode 3 is available only if Mode4\_EN = 0 and OIS\_EN\_SPI2 = 1 in CTRL1\_OIS (70h).

Figure 10. Accelerometer composite filter (Mode 4 only\*)



Note: \*Mode 4 is enabled when Mode4\_EN = 1 and OIS\_EN\_SPI2 = 1 in CTRL1\_OIS (70h).

## 5.5 FIFO

The presence of a FIFO allows consistent power saving for the system since the host processor does not need continuously poll data from the sensor, but it can wake up only when needed and burst the significant data out from the FIFO.

The ISM330DLC embeds 4 KB data FIFO to store the following data:

- Gyroscope
- Accelerometer
- External sensors
- Timestamp
- Temperature

Writing data in the FIFO can be configured to be triggered by the:

- Accelerometer/gyroscope data-ready signal in which case the ODR must be lower than or equal to both the accelerometer and gyroscope ODRs
- Sensor hub data-ready signal

In addition, each data can be stored at a decimated data rate compared to the FIFO ODR and it is configurable by the user, setting the [FIFO\\_CTRL3 \(08h\)](#) and [FIFO\\_CTRL4 \(09h\)](#) registers. The available decimation factors are 2, 3, 4, 8, 16, 32.

The programmable FIFO threshold can be set in [FIFO\\_CTRL1 \(06h\)](#) and [FIFO\\_CTRL2 \(07h\)](#) using the FTH [10:0] bits.

To monitor the FIFO status, dedicated registers ([FIFO\\_STATUS1 \(3Ah\)](#), [FIFO\\_STATUS2 \(3Bh\)](#), [FIFO\\_STATUS3 \(3Ch\)](#), [FIFO\\_STATUS4 \(3Dh\)](#)) can be read to detect FIFO overrun events, FIFO full status, FIFO empty status, FIFO threshold status, and the number of unread samples stored in the FIFO. To generate dedicated interrupts on the INT1 and INT2 pads of these status events, the configuration can be set in [INT1\\_CTRL \(0Dh\)](#) and [INT2\\_CTRL \(0Eh\)](#).

The FIFO buffer can be configured according to five different modes:

- Bypass mode
- FIFO mode
- Continuous mode
- Continuous-to-FIFO mode
- Bypass-to-continuous mode

Each mode is selected by the FIFO\_MODE\_[2:0] bits in the [FIFO\\_CTRL5 \(0Ah\)](#) register. To guarantee the correct acquisition of data during the switching into and out of FIFO mode, the first sample acquired must be discarded.

### 5.5.1 Bypass mode

In bypass mode ([FIFO\\_CTRL5 \(0Ah\)](#) (FIFO\_MODE\_[2:0] = 000), the FIFO is not operational and it remains empty.

Bypass mode is also used to reset the FIFO when in FIFO mode.

### 5.5.2 FIFO mode

In FIFO mode ([FIFO\\_CTRL5 \(0Ah\)](#) (FIFO\_MODE\_[2:0] = 001) data from the output channels are stored in the FIFO until it is full.

To reset FIFO content, bypass mode should be selected by writing [FIFO\\_CTRL5 \(0Ah\)](#) (FIFO\_MODE\_[2:0]) to 000. After this reset command, it is possible to restart FIFO mode by writing [FIFO\\_CTRL5 \(0Ah\)](#) (FIFO\_MODE\_[2:0]) to 001.

FIFO buffer memorizes up to 4096 samples of 16 bits each but the depth of the FIFO can be resized by setting the FTH [10:0] bits in [FIFO\\_CTRL1 \(06h\)](#) and [FIFO\\_CTRL2 \(07h\)](#). If the STOP\_ON\_FTH bit in [FIFO\\_CTRL4 \(09h\)](#) is set to 1, FIFO depth is limited up to FTH [10:0] bits in [FIFO\\_CTRL1 \(06h\)](#) and [FIFO\\_CTRL2 \(07h\)](#).

### 5.5.3 Continuous mode

Continuous mode ([FIFO\\_CTRL5 \(0Ah\)](#) ([FIFO\\_MODE\\_\[2:0\] = 110](#)) provides a continuous FIFO update: as new data arrives, the older data is discarded.

A FIFO threshold flag [FIFO\\_STATUS2 \(3Bh\)](#)(FTH) is asserted when the number of unread samples in FIFO is greater than or equal to [FIFO\\_CTRL1 \(06h\)](#) and [FIFO\\_CTRL2 \(07h\)](#)(FTH [10:0]).

It is possible to route [FIFO\\_STATUS2 \(3Bh\)](#) (FTH) to the INT1 pin by writing in register [INT1\\_CTRL \(0Dh\)](#) ([INT1\\_FTH](#)) = 1 or to the INT2 pin by writing in register [INT2\\_CTRL \(0Eh\)](#) ([INT2\\_FTH](#)) = 1.

A full-flag interrupt can be enabled, [INT1\\_CTRL \(0Dh\)](#) ([INT\\_FULL\\_FLAG](#)) = 1, in order to indicate FIFO saturation and eventually read its content all at once.

If an overrun occurs, at least one of the oldest samples in FIFO has been overwritten and the [OVER\\_RUN](#) flag in [FIFO\\_STATUS2 \(3Bh\)](#) is asserted.

In order to empty the FIFO before it is full, it is also possible to pull from FIFO the number of unread samples available in [FIFO\\_STATUS1 \(3Ah\)](#) and [FIFO\\_STATUS2 \(3Bh\)](#) ([DIFF\\_FIFO \[10:0\]](#)).

### 5.5.4 Continuous-to-FIFO mode

In continuous-to-FIFO mode ([FIFO\\_CTRL5 \(0Ah\)](#) ([FIFO\\_MODE\\_\[2:0\] = 011](#)), FIFO behavior changes according to the trigger event detected in one of the following interrupt registers [FUNC\\_SRC1 \(53h\)](#), [TAP\\_SRC \(1Ch\)](#), [WAKE\\_UP\\_SRC \(1Bh\)](#), and [D6D\\_SRC \(1Dh\)](#).

When the selected trigger bit is equal to 1, FIFO operates in FIFO mode.

When the selected trigger bit is equal to 0, FIFO operates in continuous mode.

### 5.5.5 Bypass-to-continuous mode

In bypass-to-continuous mode ([Section 10.8](#) [FIFO\\_CTRL5 \(0Ah\)](#) ([FIFO\\_MODE\\_\[2:0\] = 100](#)), data measurement storage inside FIFO operates in continuous mode when selected triggers in one of the following interrupt registers [FUNC\\_SRC1 \(53h\)](#), [TAP\\_SRC \(1Ch\)](#), [WAKE\\_UP\\_SRC \(1Bh\)](#), and [D6D\\_SRC \(1Dh\)](#) are equal to 1, otherwise FIFO content is reset (bypass mode).

### 5.5.6 FIFO reading procedure

The data stored in FIFO are accessible from dedicated registers ([FIFO\\_DATA\\_OUT\\_L \(3Eh\)](#) and [FIFO\\_DATA\\_OUT\\_H \(3Fh\)](#)) and each FIFO sample is composed of 16 bits.

All FIFO status registers ([FIFO\\_STATUS1 \(3Ah\)](#), [FIFO\\_STATUS2 \(3Bh\)](#), [FIFO\\_STATUS3 \(3Ch\)](#), [FIFO\\_STATUS4 \(3Dh\)](#)) can be read at the start of a reading operation, minimizing the intervention of the application processor.

Saving data in the FIFO buffer is organized in four FIFO data sets consisting of 6 bytes each:

The 1<sup>st</sup> FIFO data set is reserved for gyroscope data.

The 2<sup>nd</sup> FIFO data set is reserved for accelerometer data.

The 3<sup>rd</sup> FIFO data set is reserved for the external sensor data stored in the registers from [Section 10.41](#) [SENSORHUB1\\_REG \(2Eh\)](#) to [Section 10.46](#) [SENSORHUB6\\_REG \(33h\)](#).

The 4<sup>th</sup> FIFO data set can be alternately associated to the external sensor data stored in the registers from [SENSORHUB7\\_REG \(34h\)](#) to [SENSORHUB12\\_REG \(39h\)](#), and timestamp info, or to the temperature sensor data.

## 6 Digital interfaces

### 6.1 I<sup>2</sup>C/SPI interface

The registers embedded inside the ISM330DLC may be accessed through both the I<sup>2</sup>C and SPI serial interfaces. The latter may be software-configured to operate either in 3-wire or 4-wire interface mode.

The serial interfaces are mapped onto the same pins. To select/exploit the I<sup>2</sup>C interface, the CS line must be tied high (that is, connected to Vdd\_IO).

**Table 9. Serial interface pin description**

Pin name	Pin description
CS	Enables SPI I <sup>2</sup> C/SPI mode selection (1: SPI idle mode / I <sup>2</sup> C communication enabled; 0: SPI communication mode / I <sup>2</sup> C disabled)
SCL/SPC	I <sup>2</sup> C serial clock (SCL) SPI serial port clock (SPC)
SDA/SDI/SDO	I <sup>2</sup> C serial data (SDA) SPI serial data input (SDI) 3-wire interface serial data output (SDO)
SDO/SA0	SPI serial data output (SDO) I <sup>2</sup> C less significant bit of the device address

### 6.2 Master I<sup>2</sup>C

If the ISM330DLC is configured in mode 2, a master I<sup>2</sup>C line is available. The master serial interface is mapped in the following dedicated pins.

**Table 10. Master I<sup>2</sup>C pin details**

Pin name	Pin description
MSCL	I <sup>2</sup> C serial clock master
MSDA	I <sup>2</sup> C serial data master
MDRDY	I <sup>2</sup> C master external synchronization signal

### 6.3 Auxiliary SPI

If ISM330DLC is configured in mode 3, the auxiliary SPI is available. The auxiliary SPI interface is mapped in the following dedicated pins.

**Table 11. Auxiliary SPI pin details**

Pin name	Pin description
OCS_Aux	Auxiliary SPI 3/4-wire enable
SDx	Auxiliary SPI 3/4-wire data input (SDI_Aux) and SPI 3-wire data output (SDO_Aux)
SCx	Auxiliary SPI 3/4-wire interface serial port clock
SDO_Aux	SPI serial data

## 6.4 I<sup>2</sup>C serial interface

The ISM330DLC I<sup>2</sup>C is a bus slave. The I<sup>2</sup>C is employed to write the data to the registers, whose content can also be read back.

The relevant I<sup>2</sup>C terminology is provided in the table below.

**Table 12. I<sup>2</sup>C terminology**

Term	Description
Transmitter	The device that sends data to the bus
Receiver	The device that receives data from the bus
Master	The device that initiates a transfer, generates clock signals, and terminates a transfer
Slave	The device addressed by the master

There are two signals associated with the I<sup>2</sup>C bus: the serial clock line (SCL) and the serial data line (SDA). The latter is a bidirectional line used for sending and receiving the data to/from the interface. Both the lines must be connected to Vdd\_IO through external pull-up resistors. When the bus is free, both the lines are high.

The I<sup>2</sup>C interface is implemented with fast mode (400 kHz) I<sup>2</sup>C standards as well as with the standard mode.

In order to disable the I<sup>2</sup>C block, (I2C\_disable) = 1 must be written in CTRL4\_C (13h).

### 6.4.1 I<sup>2</sup>C operation

The transaction on the bus is started through a start (ST) signal. A START condition is defined as a high to low transition on the data line while the SCL line is held high. After this has been transmitted by the master, the bus is considered busy. The next byte of data transmitted after the start condition contains the address of the slave in the first 7 bits and the eighth bit tells whether the master is receiving data from the slave or transmitting data to the slave. When an address is sent, each device in the system compares the first seven bits after a start condition with its address. If they match, the device considers itself addressed by the master.

The slave address (SAD) associated to the ISM330DLC is 110101x. The SDO/SA0 pin can be used to modify the less significant bit of the device address. If the SDO/SA0 pin is connected to the supply voltage, LSb is 1 (address 1101011); else if the SDO/SA0 pin is connected to ground, the LSb value is 0 (address 1101010). This solution permits to connect and address two different inertial modules to the same I<sup>2</sup>C bus.

Data transfer with acknowledge is mandatory. The transmitter must release the SDA line during the acknowledge pulse. The receiver must then pull the data line low so that it remains stable low during the high period of the acknowledge clock pulse. A receiver that has been addressed is obliged to generate an acknowledge after each byte of data received.

The I<sup>2</sup>C embedded inside the ISM330DLC behaves like a slave device and the following protocol must be adhered to. After the start condition (ST) a slave address is sent, once a slave acknowledge (SAK) has been returned, an 8-bit subaddress (SUB) is transmitted. The increment of the address is configured by the CTRL3\_C (12h) (IF\_INC).

The slave address is completed with a read/write bit. If the bit is 1 (read), a repeated start (SR) condition must be issued after the two subaddress bytes; if the bit is 0 (write) the master transmits to the slave with direction unchanged. The following table explains how the SAD+read/write bit pattern is composed, listing all the possible configurations.

**Table 13. SAD read/write patterns**

Command	SAD[6:1]	SAD[0] = SA0	R/W	SAD+R/W
Read	110101	0	1	11010101 (D5h)
Write	110101	0	0	11010100 (D4h)
Read	110101	1	1	11010111 (D7h)
Write	110101	1	0	11010110 (D6h)



**Table 14. Transfer when master is writing one byte to slave**

Master	ST	SAD + W		SUB		DATA				SP
Slave			SAK		SAK		SAK			

**Table 15. Transfer when master is writing multiple bytes to slave**

Master	ST	SAD + W		SUB		DATA		DATA		SP
Slave			SAK		SAK		SAK		SAK	

**Table 16. Transfer when master is receiving (reading) one byte of data from slave**

Master	ST	SAD + W		SUB		SR	SAD + R			NMAK	SP
Slave			SAK		SAK			SAK	DATA		

**Table 17. Transfer when master is receiving (reading) multiple bytes of data from slave**

Master	ST	SAD+W		SUB		SR	SAD+R			MAK		MAK		NMAK	SP
Slave			SAK		SAK			SAK	DATA		DATA		DATA		

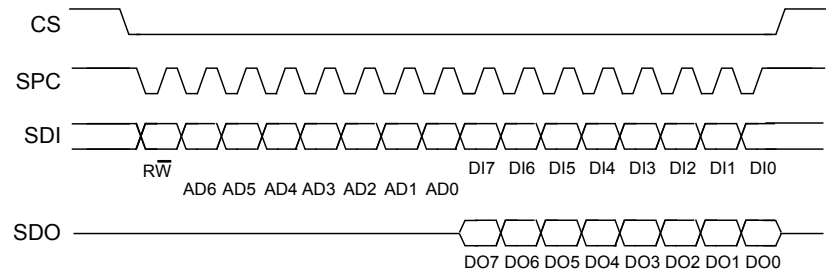
Data are transmitted in byte format (DATA). Each data transfer contains 8 bits. The number of bytes transferred per transfer is unlimited. Data is transferred with the most significant bit (MSb) first. If a slave receiver does not acknowledge the slave address (that is, it is not able to receive because it is performing some real-time function) the data line must be left high by the slave. The master can then abort the transfer. A low to high transition on the SDA line while the SCL line is high is defined as a stop condition. Each data transfer must be terminated by the generation of a stop (SP) condition.

In the presented communication format, MAK is master acknowledge and NMAK is no master acknowledge.

## 6.5 SPI bus interface

The ISM330DLC SPI is a bus slave. The SPI allows writing and reading the registers of the device. The serial interface communicates to the application using four wires: **CS**, **SPC**, **SDI**, and **SDO**.

**Figure 11. Read and write protocol**



**CS** enables the serial port and it is controlled by the SPI master. It goes low at the start of the transmission and goes back high at the end. **SPC** is the serial port clock and it is controlled by the SPI master. It is stopped high when **CS** is high (no transmission). **SDI** and **SDO** are, respectively, the serial port data input and output. Those lines are driven at the falling edge of **SPC** and should be captured at the rising edge of **SPC**.

Both the read register and write register commands are completed in 16 clock pulses or in multiples of 8 in case of multiple read/write bytes. Bit duration is the time between the two falling edges of **SPC**. The first bit (bit 0) starts at the first falling edge of **SPC** after the falling edge of **CS** while the last bit (bit 15, bit 23, ...) starts at the last falling edge of **SPC** just before the rising edge of **CS**.

**bit 0:**  $\overline{RW}$  bit. When 0, the data DI(7:0) is written into the device. When 1, the data DO(7:0) from the device is read. In the latter case, the chip drives **SDO** at the start of bit 8.

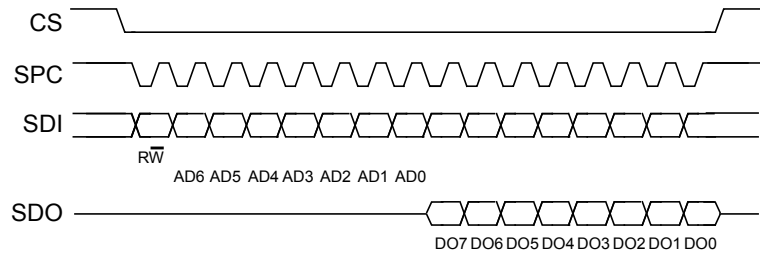
**bit 1-7:** address AD(6:0). This is the address field of the indexed register.

**bit 8-15:** data DI(7:0) (write mode). This is the data that is written into the device (MSb first).

**bit 8-15:** data DO(7:0) (read mode). This is the data that is read from the device (MSb first).

In multiple read/write commands further blocks of 8 clock periods are added. When the CTRL3\_C (12h) (IF\_INC) bit is 0, the address used to read/write data remains the same for every block. When the CTRL3\_C (12h) (IF\_INC) bit is 1, the address used to read/write data is increased at every block.

The function and the behavior of **SDI** and **SDO** remain unchanged.

**6.5.1 SPI read**
**Figure 12. SPI read protocol**


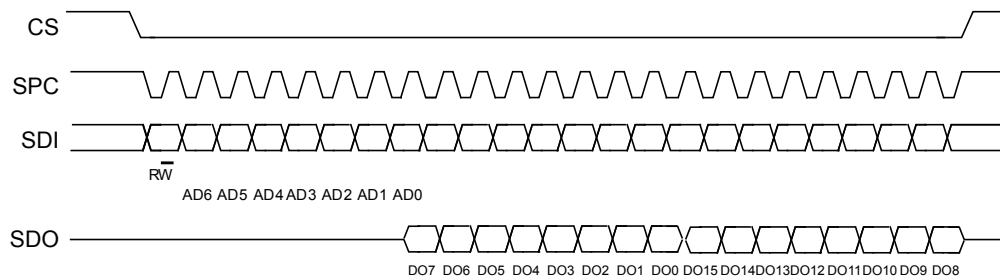
The SPI read command is performed with 16 clock pulses. A multiple byte read command is performed by adding blocks of 8 clock pulses to the previous one.

**bit 0:** READ bit. The value is 1.

**bit 1-7:** address AD(6:0). This is the address field of the indexed register.

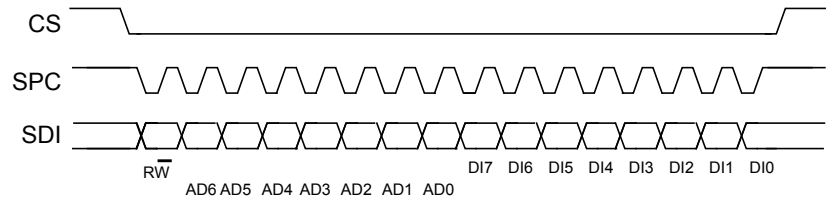
**bit 8-15:** data DO(7:0) (read mode). This is the data that is read from the device (MSb first).

**bit 16-...:** data DO(...-8). Further data in multiple byte reads.

**Figure 13. Multiple byte SPI read protocol (2-byte example)**


### 6.5.2 SPI write

**Figure 14. SPI write protocol**



The SPI write command is performed with 16 clock pulses. A multiple byte write command is performed by adding blocks of 8 clock pulses to the previous one.

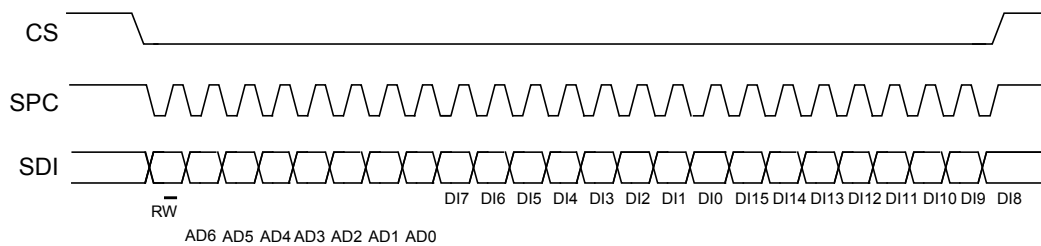
**bit 0:** WRITE bit. The value is 0.

**bit 1-7:** address AD(6:0). This is the address field of the indexed register.

**bit 8-15:** data DI(7:0) (write mode). This is the data that is written inside the device (MSb first).

**bit 16-...** : data DI(...-8). Further data in multiple byte writes.

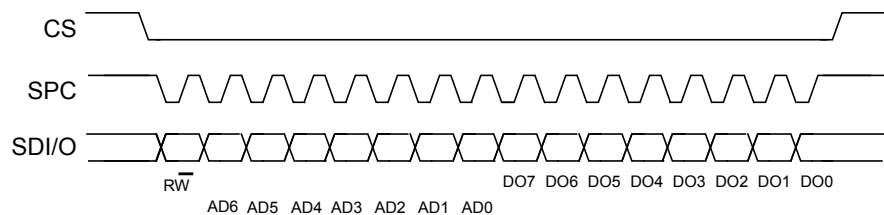
**Figure 15. Multiple byte SPI write protocol (2-byte example)**



### 6.5.3 SPI read in 3-wire mode

A 3-wire mode is entered by setting the CTRL3\_C (12h) (SIM) bit equal to 1 (SPI serial interface mode selection).

**Figure 16. SPI read protocol in 3-wire mode**



The SPI read command is performed with 16 clock pulses:

**bit 0:** READ bit. The value is 1.

**bit 1-7:** address AD(6:0). This is the address field of the indexed register.

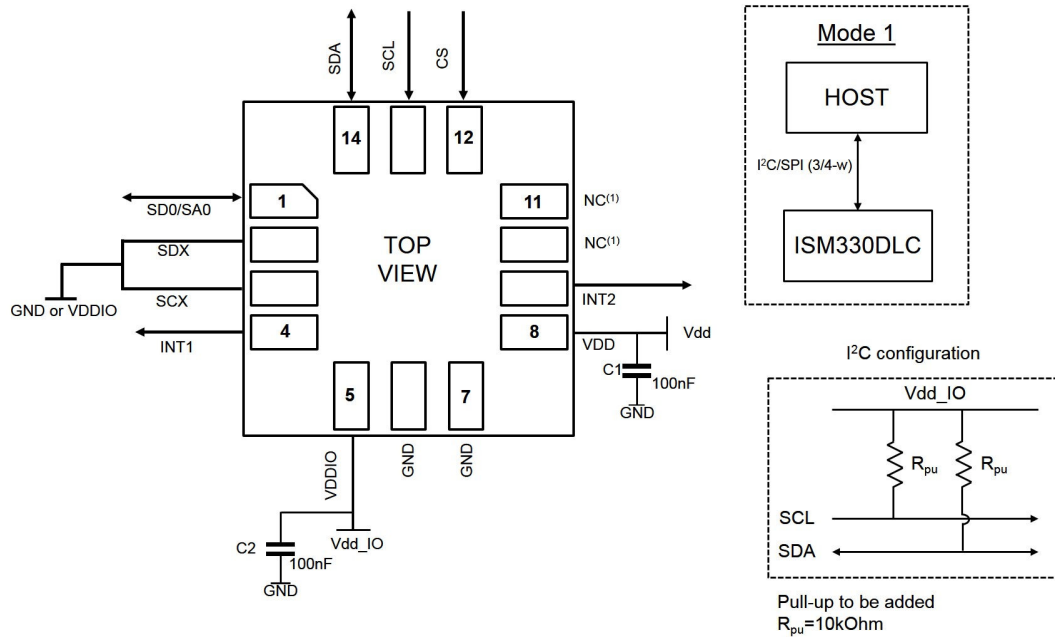
**bit 8-15:** data DO(7:0) (read mode). This is the data that is read from the device (MSb first).

A multiple read command is also available in 3-wire mode.

## 7 Application hints

### 7.1 ISM330DLC electrical connections in mode 1

Figure 17. ISM330DLC electrical connections in mode 1



1. Leave pin electrically unconnected and soldered to PCB.

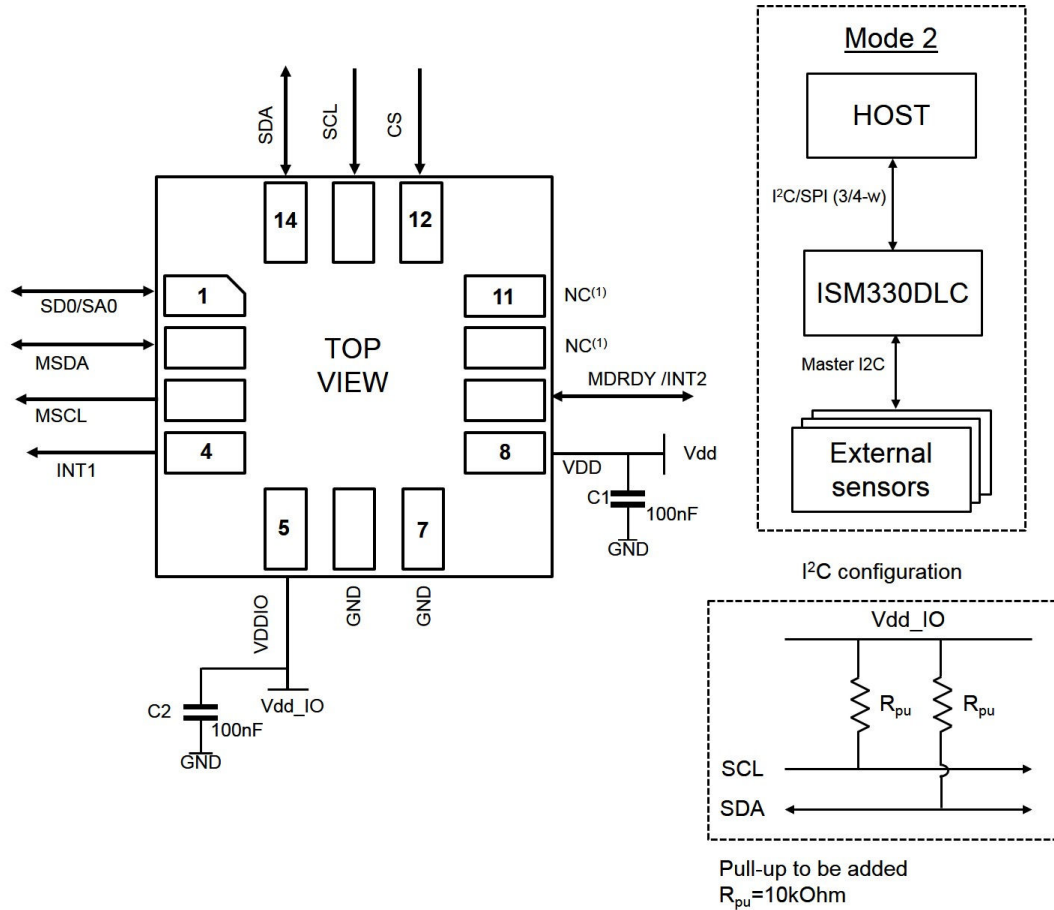
The device core is supplied through the Vdd line. Power supply decoupling capacitors (C1, C2 = 100 nF ceramic) should be placed as near as possible to the supply pin of the device (common design practice).

The functionality of the device and the measured acceleration/angular rate data is selectable and accessible through the SPI/I<sup>2</sup>C interface.

The functions, the threshold, and the timing of the two interrupt pins for each sensor can be completely programmed by the user through the SPI/I<sup>2</sup>C interface.

## 7.2 ISM330DLC electrical connections in mode 2

Figure 18. ISM330DLC electrical connections in mode 2



1. Leave pin electrically unconnected and soldered to PCB.

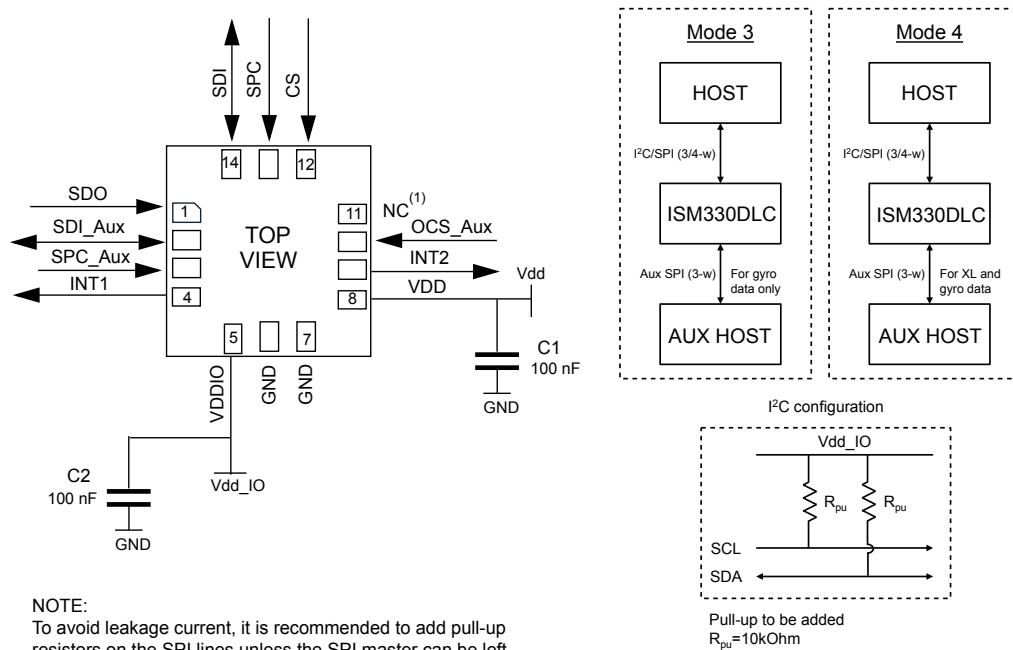
The device core is supplied through the Vdd line. Power supply decoupling capacitors (C1, C2 = 100 nF ceramic) should be placed as near as possible to the supply pin of the device (common design practice).

The functionality of the device and the measured acceleration/angular rate data is selectable and accessible through the SPI/I<sup>2</sup>C interface.

The functions, the threshold, and the timing of the two interrupt pins for each sensor can be completely programmed by the user through the SPI/I<sup>2</sup>C interface.

### 7.3 ISM330DLC electrical connections in mode 3 and mode 4

**Figure 19.** ISM330DLC electrical connections in mode 3 and mode 4 (auxiliary 3-wire SPI)

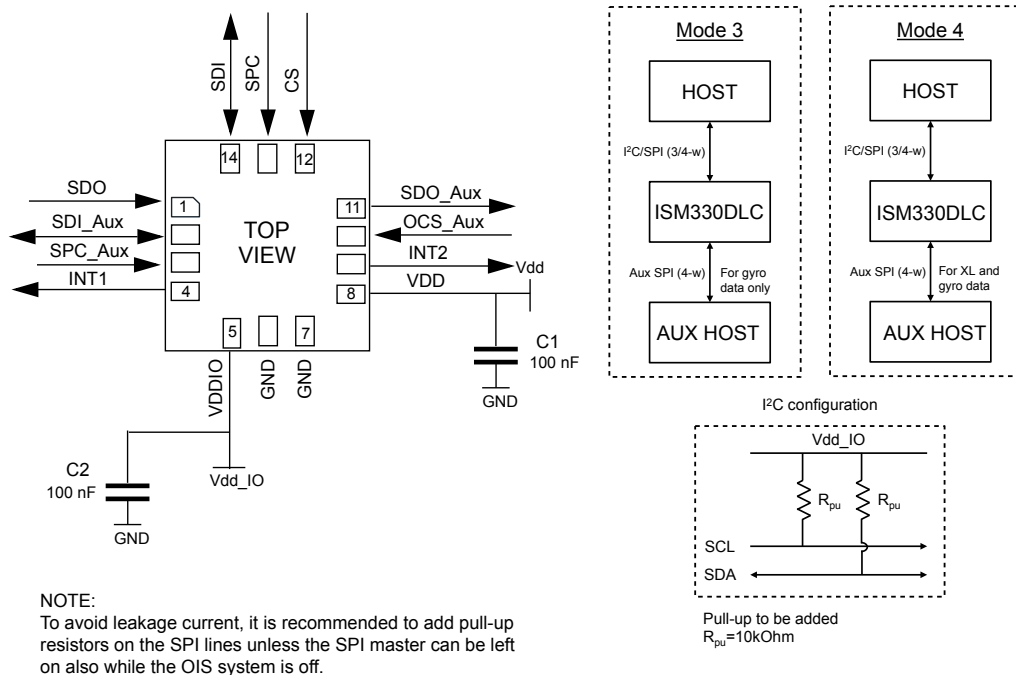


1. Leave pin electrically unconnected and soldered to PCB.

The device core is supplied through the Vdd line. Power supply decoupling capacitors (C1, C2 = 100 nF ceramic) should be placed as near as possible to the supply pin of the device (common design practice).

The functionality of the device and the measured acceleration/angular rate data is selectable and accessible through the SPI/I<sup>2</sup>C interface.

The functions, the threshold and the timing of the two interrupt pins for each sensor can be completely programmed by the user through the SPI/I<sup>2</sup>C interface.

**Figure 20. ISM330DLC electrical connections in mode 3 and mode 4 (auxiliary 4-wire SPI)**


The device core is supplied through the Vdd line. Power supply decoupling capacitors (C1, C2 = 100 nF ceramic) should be placed as near as possible to the supply pin of the device (common design practice).

The functionality of the device and the measured acceleration/angular rate data is selectable and accessible through the SPI/I<sup>2</sup>C interface.

The functions, the threshold and the timing of the two interrupt pins for each sensor can be completely programmed by the user through the SPI/I<sup>2</sup>C interface.

Internal pull-up value is from 30 kΩ to 50 kΩ, depending on VDDIO.



Table 18. Internal pin status

Pin #	Name	Mode 1 function	Mode 2 function	Mode 3 / mode 4 function	Pin status mode 1	Pin status mode 2	Pin status mode 3/4
1	SDO	SPI 4-wire interface serial data output (SDO)	SPI 4-wire interface serial data output (SDO)	SPI 4-wire interface serial data output (SDO)	Default: input without pull-up	Default: input without pull-up	Default: input without pull-up
	SA0	I <sup>2</sup> C least significant bit of the device address (SA0)	I <sup>2</sup> C least significant bit of the device address (SA0)	I <sup>2</sup> C least significant bit of the device address (SA0)	Pull-up is enabled if bit SIM = 1 (SPI 3-wire) in register CTRL3_C (12h).	Pull-up is enabled if bit SIM = 1 (SPI 3-wire) in register CTRL3_C (12h).	Pull-up is enabled if bit SIM = 1 (SPI 3-wire) in register CTRL3_C (12h).
2	SDx	Connect to VDDIO or GND	I <sup>2</sup> C serial data master (MSDA)	Auxiliary SPI 3/4-wire interface serial data input (SDI) and SPI 3-wire serial data output (SDO)	Default: input without pull-up Pull-up is enabled if bit PULL_UP_EN = 1 in register MASTER_CONFIG (1Ah).	Default: input without pull-up Pull-up is enabled if bit PULL_UP_EN = 1 in register MASTER_CONFIG (1Ah).	Default: input without pull-up Pull-up is enabled if bit PULL_UP_EN = 1 in register MASTER_CONFIG (1Ah).
3	SCx	Connect to VDDIO or GND	I <sup>2</sup> C serial clock master (MSCL)	Auxiliary SPI 3/4-wire interface serial port clock (SPC_Aux)	Default: input without pull-up Pull-up is enabled if bit PULL_UP_EN = 1 in register MASTER_CONFIG (1Ah).	Default: input without pull-up Pull-up is enabled if bit PULL_UP_EN = 1 in register MASTER_CONFIG (1Ah).	Default: input without pull-up Pull-up is enabled if bit PULL_UP_EN = 1 in register MASTER_CONFIG (1Ah).
4	INT1	Programmable interrupt 1	Programmable interrupt 1	Programmable interrupt 1	Default: output forced to ground	Default: output forced to ground	Default: output forced to ground
5	Vdd_IO	Power supply for I/O pins	Power supply for I/O pins	Power supply for I/O pins			
6	GND	0 V supply	0 V supply	0 V supply			
7	GND	0 V supply	0 V supply	0 V supply			
8	Vdd	Power supply	Power supply	Power supply			
9	INT2	Programmable interrupt 2 (INT2) / Data enabled (DEN)	Programmable interrupt 2 (INT2) / Data enabled (DEN) / I <sup>2</sup> C master external synchronization signal (MDRDY)	Programmable interrupt 2 (INT2) / Data enabled (DEN)	Default: output forced to ground	Default: output forced to ground	Default: output forced to ground
10	OCS	Leave unconnected	Leave unconnected	Auxiliary SPI 3/4-wire interface enabled	Default: input with pull-up (See Note below to disable pull-up)	Default: input with pull-up (See Note below to disable pull-up)	Default: input without pull-up
11	SDO_Aux	Connect to VDDIO or leave unconnected	Connect to VDDIO or leave unconnected	Auxiliary SPI 3-wire interface: leave unconnected / Auxiliary SPI 4-wire interface: serial data output (SDO_Aux)	Default: input with pull-up (See note below to disable pull-up)	Default: input with pull-up (See note below to disable pull-up)	Default: input without pull-up Pull-up is enabled if bit SIM_OIS = 1 (Aux_SPI 3-wire) in register CTRL1_OIS (70h).
12	CS	I <sup>2</sup> C/SPI mode selection (1: SPI idle mode / I <sup>2</sup> C communication enabled; 0: SPI communication mode / I <sup>2</sup> C disabled)	I <sup>2</sup> C/SPI mode selection (1: SPI idle mode / I <sup>2</sup> C communication enabled; 0: SPI communication mode / I <sup>2</sup> C disabled)	I <sup>2</sup> C/SPI mode selection (1: SPI idle mode / I <sup>2</sup> C communication enabled; 0: SPI communication mode / I <sup>2</sup> C disabled)	Default: input with pull-up Pull-up is disabled if bit I2C_disable = 1 in register CTRL4_C (13h).	Default: input with pull-up Pull-up is disabled if bit I2C_disable = 1 in register CTRL4_C (13h).	Default: input with pull-up Pull-up is disabled if bit I2C_disable = 1 in register CTRL4_C (13h).
13	SCL	I <sup>2</sup> C serial clock (SCL) / SPI serial port clock (SPC)	I <sup>2</sup> C serial clock (SCL) / SPI serial port clock (SPC)	I <sup>2</sup> C serial clock (SCL) / SPI serial port clock (SPC)	Default: input without pull-up	Default: input without pull-up	Default: input without pull-up

Pin #	Name	Mode 1 function	Mode 2 function	Mode 3 / mode 4 function	Pin status mode 1	Pin status mode 2	Pin status mode 3/4
14	SDA	I <sup>2</sup> C serial data (SDA) / SPI serial data input (SDI) / 3-wire interface serial data output (SDO)	I <sup>2</sup> C serial data (SDA) / SPI serial data input (SDI) / 3-wire interface serial data output (SDO)	I <sup>2</sup> C serial data (SDA) / SPI serial data input (SDI) / 3-wire interface serial data output (SDO)	Default: input without pull-up	Default: input without pull-up	Default: input without pull-up

Internal pull-up value is from 30 k $\Omega$  to 50 k $\Omega$ , depending on VDDIO.

**Note:** *The procedure to disable the pull-up on pins 10-11 is as follows:*

1. *AP side: write 80h in register at address 00h*
2. *AP side: write 01h in register at address 05h (disable the pull-up on pins 10 and 11 of ISM330DLC)*
3. *AP side: write 00h in register at address 00h*



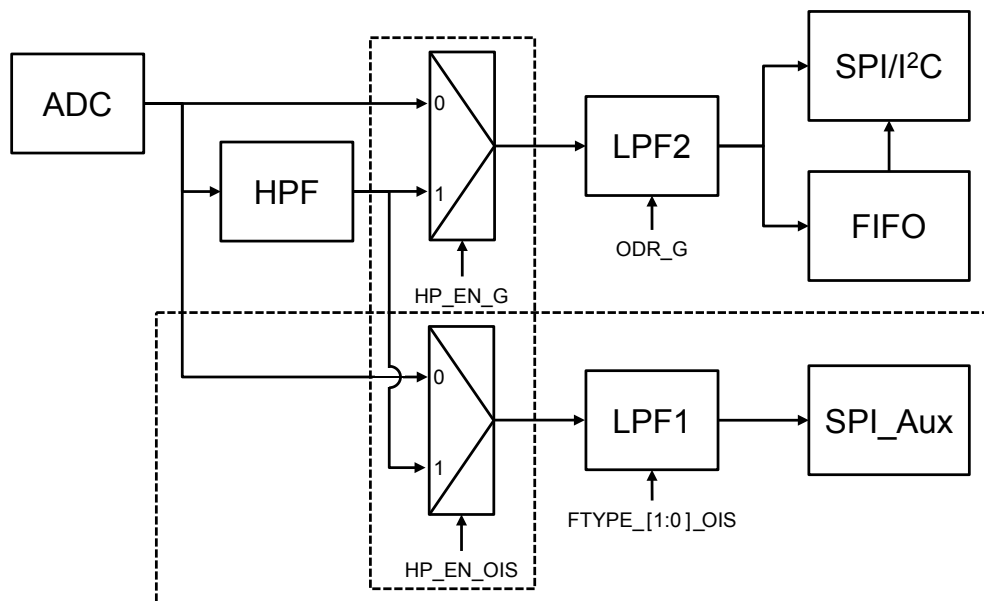
## 8 Auxiliary SPI configurations

When the ISM330DLC is configured in mode 3 and mode 4, the auxiliary SPI can be connected to an auxiliary host (OIS). In this interface, the SPI can write only to the dedicated registers `INT_OIS` (6Fh), `CTRL1_OIS` (70h), `CTRL2_OIS` (71h), `CTRL3_OIS` (72h).

### 8.1 Gyroscope filtering

The gyroscope filtering chain is illustrated in the following figure.

Figure 21. Gyroscope chain



**Note:** *HP\_EN\_OIS is active to select HPF on the auxiliary SPI chain only if HPF is not already used in the primary interface.*

The auxiliary interface needs to be enabled in `CTRL1_OIS` (70h).

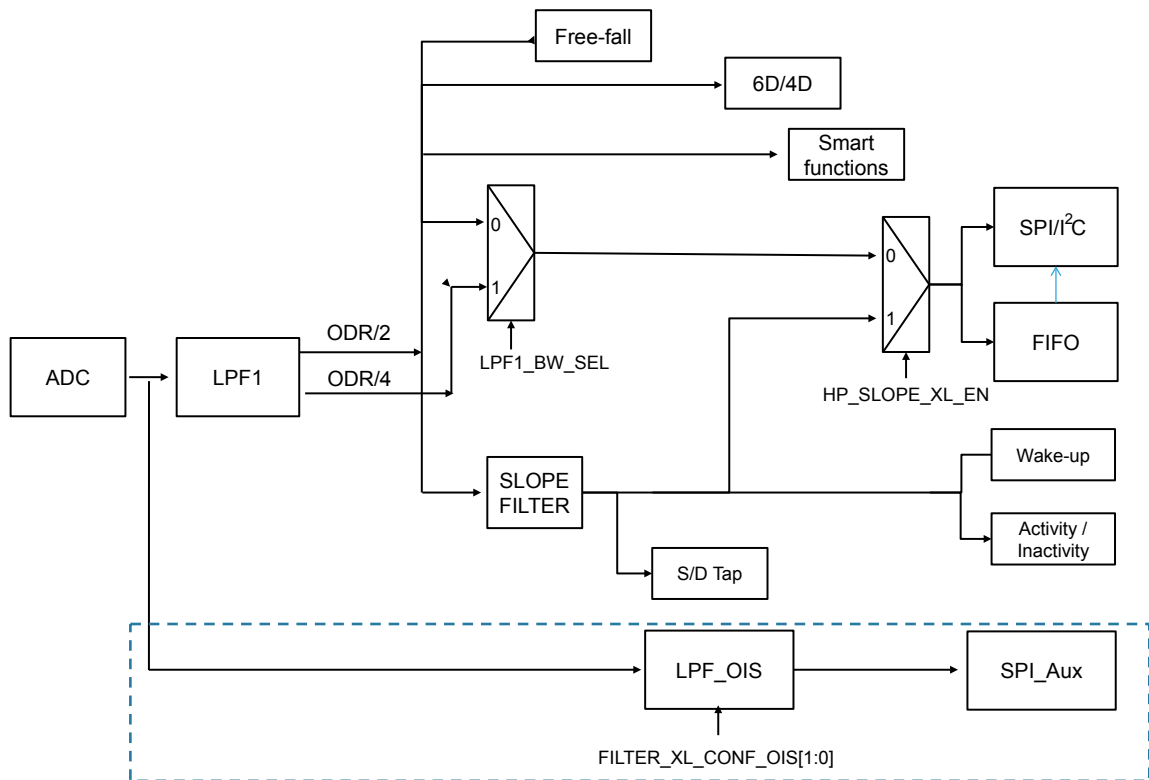
Gyroscope output values are in registers 22h to 27h with selected full scale (`FS[1:0]_G_OIS` bit in `CTRL1_OIS` (70h)) and ODR at 6.66 kHz.

LPF1 configuration depends on the setting of the `FTYPE_[1:0]_OIS` bit in register `CTRL2_OIS` (71h).

## 8.2 Accelerometer filtering

Accelerometer filtering is available only when mode 4 is enabled.

**Figure 22. Accelerometer chain (available only in mode 4)**



Accelerometer output values are in registers `OUTX_L_XL (28h)` through `OUTZ_H_XL (2Dh)` and ODR at 6.66 kHz.

### 8.2.1 Accelerometer full scale set from primary interface

If the SPI/I<sup>2</sup>C primary interface is used, the full-scale setting has been configured by the primary interface and `CTRL3_OIS (72h)` must be set to the same full-scale setting of the primary interface.

### 8.2.2 Accelerometer full scale set from auxiliary SPI

If the configuration uses only the auxiliary SPI, the full scale can be set using the `FS[1:0]_XL_OIS` bits in `CTRL3_OIS (72h)`. The configuration of the low-pass filter depends on the setting of the `FILTER_XL_CONF_OIS[1:0]` bits in register `CTRL3_OIS (72h)`.

## 9 Register mapping

The table given below provides a list of the 8/16-bit registers embedded in the device and the corresponding addresses.

**Table 19. Registers address map**

Name	Type	Register address		Default	Comment
		Hex	Binary		
RESERVED	-	00	00000000	-	Reserved
FUNC_CFG_ACCESS	R/W	01	00000001	00000000	Embedded functions configuration register
RESERVED	-	02	00000010	-	Reserved
RESERVED	-	03	00000011	-	Reserved
SENSOR_SYNC_TIME_FRAME	R/W	04	00000100	00000000	Sensor sync configuration register
SENSOR_SYNC_RES_RATIO	R/W	05	00000101	00000000	
FIFO_CTRL1	R/W	06	00000110	00000000	FIFO configuration registers
FIFO_CTRL2	R/W	07	00000111	00000000	
FIFO_CTRL3	R/W	08	00001000	00000000	
FIFO_CTRL4	R/W	09	00001001	00000000	
FIFO_CTRL5	R/W	0A	00001010	00000000	
DRDY_PULSE_CFG	R/W	0B	00001011	00000000	
RESERVED	-	0C	00001100	-	Reserved
INT1_CTRL	R/W	0D	00001101	00000000	INT1 pin control
INT2_CTRL	R/W	0E	00001110	00000000	INT2 pin control
WHO_AM_I	R	0F	00001111	01101010	Who I am ID
CTRL1_XL	R/W	10	00010000	00000000	Accelerometer and gyroscope control registers
CTRL2_G	R/W	11	00010001	00000000	
CTRL3_C	R/W	12	00010010	00000100	
CTRL4_C	R/W	13	00010011	00000000	
CTRL5_C	R/W	14	00010100	00000000	
CTRL6_C	R/W	15	00010101	00000000	
CTRL7_G	R/W	16	00010110	00000000	
CTRL8_XL	R/W	17	0001 0111	00000000	
CTRL9_XL	R/W	18	00011000	11100000	
CTRL10_C	R/W	19	00011001	00000000	
MASTER_CONFIG	R/W	1A	00011010	00000000	I <sup>2</sup> C master configuration register
WAKE_UP_SRC	R	1B	00011011	output	Interrupt registers
TAP_SRC	R	1C	00011100	output	
D6D_SRC	R	1D	00011101	output	
STATUS_REG/ <sup>(1)(2)</sup> STATUS_SPIAux	R	1E	00011110	output	Status data register for GP and OIS data
RESERVED	-	1F	00011111	-	Reserved
OUT_TEMP_L	R	20	00100000	output	Temperature output data registers

Name	Type	Register address		Default	Comment
		Hex	Binary		
OUT_TEMP_H	R	21	00100001	output	Temperature output data registers
OUTX_L_G	R	22	00100010	output	Gyroscope output registers for GP and OIS data
OUTX_H_G	R	23	00100011	output	
OUTY_L_G	R	24	00100100	output	
OUTY_H_G	R	25	00100101	output	
OUTZ_L_G	R	26	00100110	output	
OUTZ_H_G	R	27	00100111	output	
OUTX_L_XL	R	28	00101000	output	
OUTX_H_XL	R	29	00101001	output	
OUTY_L_XL	R	2A	00101010	output	
OUTY_H_XL	R	2B	00101011	output	
OUTZ_L_XL	R	2C	00101100	output	
OUTZ_H_XL	R	2D	00101101	output	
SENSORHUB1_REG	R	2E	00101110	output	Sensor hub output registers
SENSORHUB2_REG	R	2F	00101111	output	
SENSORHUB3_REG	R	30	00110000	output	
SENSORHUB4_REG	R	31	00110001	output	
SENSORHUB5_REG	R	32	00110010	output	
SENSORHUB6_REG	R	33	00110011	output	
SENSORHUB7_REG	R	34	00110100	output	
SENSORHUB8_REG	R	35	00110101	output	
SENSORHUB9_REG	R	36	00110110	output	
SENSORHUB10_REG	R	37	00110111	output	
SENSORHUB11_REG	R	38	00111000	output	
SENSORHUB12_REG	R	39	00111001	output	
FIFO_STATUS1	R	3A	00111010	output	FIFO status registers
FIFO_STATUS2	R	3B	00111011	output	
FIFO_STATUS3	R	3C	00111100	output	
FIFO_STATUS4	R	3D	00111101	output	
FIFO_DATA_OUT_L	R	3E	00111110	output	FIFO data output registers
FIFO_DATA_OUT_H	R	3F	00111111	output	
TIMESTAMP0_REG	R	40	01000000	output	Timestamp output registers
TIMESTAMP1_REG	R	41	01000001	output	
TIMESTAMP2_REG	R/W	42	01000010	output	
RESERVED	-	43-4C		-	Reserved
SENSORHUB13_REG	R	4D	01001101	output	Sensor hub output registers
SENSORHUB14_REG	R	4E	01001110	output	
SENSORHUB15_REG	R	4F	01001111	output	
SENSORHUB16_REG	R	50	01010000	output	
SENSORHUB17_REG	R	51	01010001	output	

Name	Type	Register address		Default	Comment
		Hex	Binary		
SENSORHUB18_REG	R	52	01010010	output	Sensor hub output registers
FUNC_SRC1	R	53	01010011	output	Interrupt registers
FUNC_SRC2	R	54	01010100	output	
RESERVED	-	55-57		-	Reserved
TAP_CFG	R/W	58	01011000	00000000	Interrupt registers
TAP_THS_6D	R/W	59	01011001	00000000	
INT_DUR2	R/W	5A	01011010	00000000	
WAKE_UP_THS	R/W	5B	01011011	00000000	
WAKE_UP_DUR	R/W	5C	01011100	00000000	
FREE_FALL	R/W	5D	01011101	00000000	
MD1_CFG	R/W	5E	01011110	00000000	
MD2_CFG	R/W	5F	01011111	00000000	
MASTER_CMD_CODE	R/W	60	01100000	00000000	
SENS_SYNC_SPI_ERROR_CODE	R/W	61	0110 0001	00000000	
RESERVED	-	62-65		-	Reserved
OUT_MAG_RAW_X_L	R	66	01100110	output	External magnetometer raw data output registers
OUT_MAG_RAW_X_H	R	67	01100111	output	
OUT_MAG_RAW_Y_L	R	68	01101000	output	
OUT_MAG_RAW_Y_H	R	69	01101001	output	
OUT_MAG_RAW_Z_L	R	6A	01101010	output	
OUT_MAG_RAW_Z_H	R	6B	01101011	output	
RESERVED	-	6C-6E		-	Reserved
INT_OIS	R/W	6F	01101111	00000000	Control registers for OIS connection
CTRL1_OIS	R/W	70	01110000	00000000	
CTRL2_OIS	R/W	71	01110001	00000000	
CTRL3_OIS	R/W	72	01110010	00000000	
X_OFS_USR	R/W	73	01110011	00000000	Accelerometer user offset correction
Y_OFS_USR	R/W	74	01110100	00000000	
Z_OFS_USR	R/W	75	01110101	00000000	
RESERVED	-	76-7F		-	Reserved

1. This register status is read using the auxiliary SPI for OIS data.
2. This register status is read using the primary interface for general-purpose interface data.

Reserved registers must not be changed. Writing to those registers may cause permanent damage to the device. The content of the registers that are loaded at boot should not be changed. They contain the factory calibration values. Their content is automatically restored when the device is powered up.

## 10 Register description

The device contains a set of registers which are used to control its behavior and to retrieve linear acceleration, angular rate and temperature data. The register addresses, made up of 7 bits, are used to identify them and to write the data through the serial interface.

### 10.1 FUNC\_CFG\_ACCESS (01h)

Enable embedded functions register (R/W)

**Table 20. FUNC\_CFG\_ACCESS register**

FUNC_CFG_EN	0 <sup>(1)</sup>	0 <sup>(1)</sup>	0 <sup>(1)</sup>	0 <sup>(1)</sup>	0 <sup>(1)</sup>	0 <sup>(1)</sup>	0 <sup>(1)</sup>
-------------	------------------	------------------	------------------	------------------	------------------	------------------	------------------

1. This bit must be set to 0 for the correct operation of the device.

**Table 21. FUNC\_CFG\_ACCESS register description**

FUNC_CFG_EN	Enable access to the embedded functions configuration registers <sup>(1)</sup> . Default value: 0 (0: register access disabled; 1: register access enabled)
-------------	---

1. The embedded functions configuration registers details are available in [Section 11 Embedded functions register mapping](#), and [Section 12 Embedded functions registers description](#).

### 10.2 SENSOR\_SYNC\_TIME\_FRAME (04h)

Sensor synchronization time frame register (R/W)

**Table 22. SENSOR\_SYNC\_TIME\_FRAME register**

0 <sup>(1)</sup>	0 <sup>(1)</sup>	0 <sup>(1)</sup>	0 <sup>(1)</sup>	TPH_3	TPH_2	TPH_1	TPH_0
------------------	------------------	------------------	------------------	-------	-------	-------	-------

1. This bit must be set to 0 for the correct operation of the device.

**Table 23. SENSOR\_SYNC\_TIME\_FRAME register description**

TPH_[3:0]	Sensor synchronization time frame with a step of 500 ms and full range of 5 s. Unsigned 8-bit. Default value: 0000 0000 (sensor sync disabled)
-----------	---

### 10.3 SENSOR\_SYNC\_RES\_RATIO (05h)

Sensor synchronization resolution ratio (R/W)

**Table 24. SENSOR\_SYNC\_RES\_RATIO register**

0 <sup>(1)</sup>	0 <sup>(1)</sup>	0 <sup>(1)</sup>	0 <sup>(1)</sup>	0 <sup>(1)</sup>	0 <sup>(1)</sup>	RR_1	RR_0
------------------	------------------	------------------	------------------	------------------	------------------	------	------

1. This bit must be set to 0 for the correct operation of the device.

**Table 25. SENSOR\_SYNC\_RES\_RATIO register description**

RR_[1:0]	Resolution ratio of error code for sensor synchronization. (00: SensorSync, Res_Ratio = 2 <sup>11</sup> 01: SensorSync, Res_Ratio = 2 <sup>12</sup> 10: SensorSync, Res_Ratio = 2 <sup>13</sup> 11: SensorSync, Res_Ratio = 2 <sup>14</sup> )
----------	---



## 10.4 FIFO\_CTRL1 (06h)

FIFO control register (R/W)

**Table 26. FIFO\_CTRL1 register**

FTH_7	FTH_6	FTH_5	FTH_4	FTH_3	FTH_2	FTH_1	FTH_0
-------	-------	-------	-------	-------	-------	-------	-------

**Table 27. FIFO\_CTRL1 register description**

FTH_[7:0]	<p>FIFO threshold level setting. Default value: 0000 0000<sup>(1)</sup></p> <p>Watermark flag rises when the number of bytes written to FIFO after the next write is greater than or equal to the threshold level.</p> <p>Minimum resolution for the FIFO is 1 LSB = 2 bytes (1 word) in FIFO.</p>
-----------	--

1. For the complete watermark threshold configuration, consider FTH\_[10:8] in FIFO\_CTRL2 (07h).

## 10.5 FIFO\_CTRL2 (07h)

FIFO control register (R/W)

**Table 28. FIFO\_CTRL2 register**

FIFO_TIMER_EN	0 <sup>(1)</sup>	0 <sup>(1)</sup>	0 <sup>(1)</sup>	FIFO_TEMP_EN	FTH10	FTH_9	FTH_8
---------------	------------------	------------------	------------------	--------------	-------	-------	-------

1. This bit must be set to 0 for the correct operation of the device.

**Table 29. FIFO\_CTRL2 register description**

FIFO_TIMER_EN	<p>Enables timestamp data to be stored as the 4<sup>th</sup> FIFO data set.</p> <p>(0: timestamp not included in FIFO; 1: timestamp included in FIFO)</p>
FIFO_TEMP_EN	<p>Enables the temperature data storage in FIFO. Default: 0</p> <p>(0: temperature not included in FIFO; 1: temperature included in FIFO)</p>
FTH_[10:8]	<p>FIFO threshold level setting. Default value: 0000<sup>(1)</sup></p> <p>Watermark flag rises when the number of bytes written to FIFO after the next write is greater than or equal to the threshold level.</p> <p>Minimum resolution for the FIFO is 1LSB = 2 bytes (1 word) in FIFO</p>

1. For the complete watermark threshold configuration, consider FTH\_[7:0] in FIFO\_CTRL1 (06h)

## 10.6 FIFO\_CTRL3 (08h)

FIFO control register (R/W)

**Table 30. FIFO\_CTRL3 register**

0 <sup>(1)</sup>	0 <sup>(1)</sup>	DEC_FIFO_GYRO2	DEC_FIFO_GYRO1	DEC_FIFO_GYRO0	DEC_FIFO_XL2	DEC_FIFO_XL1	DEC_FIFO_XL0
------------------	------------------	----------------	----------------	----------------	--------------	--------------	--------------

1. This bit must be set to 0 for the correct operation of the device.

**Table 31. FIFO\_CTRL3 register description**

DEC_FIFO_GYRO[2:0]	Gyroscope FIFO (first data set) decimation setting. Default: 000 For the configuration setting, refer to <a href="#">Table 32</a> .
DEC_FIFO_XL[2:0]	Accelerometer FIFO (second data set) decimation setting. Default: 000 For the configuration setting, refer to <a href="#">Table 33</a> .

**Table 32. Gyroscope FIFO decimation setting**

DEC_FIFO_GYRO[2:0]	Configuration
000	Gyroscope sensor not in FIFO
001	No decimation
010	Decimation with factor 2
011	Decimation with factor 3
100	Decimation with factor 4
101	Decimation with factor 8
110	Decimation with factor 16
111	Decimation with factor 32

**Table 33. Accelerometer FIFO decimation setting**

DEC_FIFO_XL [2:0]	Configuration
000	Accelerometer sensor not in FIFO
001	No decimation
010	Decimation with factor 2
011	Decimation with factor 3
100	Decimation with factor 4
101	Decimation with factor 8
110	Decimation with factor 16
111	Decimation with factor 32

## 10.7 FIFO\_CTRL4 (09h)

FIFO control register (R/W)

**Table 34. FIFO\_CTRL4 register**

STOP_ON_FTH	ONLY_HIGH_DATA	DEC_DS4_FIFO2	DEC_DS4_FIFO1	DEC_DS4_FIFO0	DEC_DS3_FIFO2	DEC_DS3_FIFO1	DEC_DS3_FIFO0
-------------	----------------	---------------	---------------	---------------	---------------	---------------	---------------

**Table 35. FIFO\_CTRL4 register description**

STOP_ON_FTH	Enables FIFO threshold level use. Default value: 0. (0: FIFO depth is not limited; 1: FIFO depth is limited to threshold level)
ONLY_HIGH_DATA	8-bit data storage in FIFO. Default: 0 (0: disable MSByte only memorization in FIFO for accelerometer and gyroscope; 1: enable MSByte only memorization in FIFO for accelerometer and gyroscope in FIFO)
DEC_DS4_FIFO[2:0]	Fourth FIFO data set decimation setting. Default: 000. For the configuration setting, refer to Table 36.
DEC_DS3_FIFO[2:0]	Third FIFO data set decimation setting. Default: 000. For the configuration setting, refer to Table 37.

**Table 36. Fourth FIFO data set decimation setting**

DEC_DS4_FIFO[2:0]	Configuration
000	Fourth FIFO data set not in FIFO
001	No decimation
010	Decimation with factor 2
011	Decimation with factor 3
100	Decimation with factor 4
101	Decimation with factor 8
110	Decimation with factor 16
111	Decimation with factor 32

**Table 37. Third FIFO data set decimation setting**

DEC_DS3_FIFO[2:0]	Configuration
000	Third FIFO data set not in FIFO
001	No decimation
010	Decimation with factor 2
011	Decimation with factor 3
100	Decimation with factor 4
101	Decimation with factor 8
110	Decimation with factor 16
111	Decimation with factor 32

## 10.8 FIFO\_CTRL5 (0Ah)

FIFO control register (R/W)

**Table 38. FIFO\_CTRL5 register**

0 <sup>(1)</sup>	ODR_FIFO_3	ODR_FIFO_2	ODR_FIFO_1	ODR_FIFO_0	FIFO_MODE_2	FIFO_MODE_1	FIFO_MODE_0
------------------	------------	------------	------------	------------	-------------	-------------	-------------

1. This bit must be set to 0 for the correct operation of the device.

**Table 39. FIFO\_CTRL5 register description**

ODR_FIFO_[3:0]	FIFO ODR selection, setting FIFO_MODE also. Default: 0000 For the configuration setting, refer to Table 40.
FIFO_MODE_[2:0]	FIFO mode selection bits, setting ODR_FIFO also. Default value: 000 For the configuration setting, refer to Table 41.

**Table 40. FIFO ODR selection**

ODR_FIFO_[3:0]	Configuration
0000	FIFO disabled
0001	FIFO ODR is set to 12.5 Hz
0010	FIFO ODR is set to 26 Hz
0011	FIFO ODR is set to 52 Hz
0100	FIFO ODR is set to 104 Hz
0101	FIFO ODR is set to 208 Hz
0110	FIFO ODR is set to 416 Hz
0111	FIFO ODR is set to 833 Hz
1000	FIFO ODR is set to 1.66 kHz
1001	FIFO ODR is set to 3.33 kHz
1010	FIFO ODR is set to 6.66 kHz

1. If the device is working at an ODR slower than the one selected, FIFO ODR is limited to that ODR value. Moreover, these bits are active if the DATA\_VALID\_SEL FIFO bit of MASTER\_CONFIG (1Ah) is set to 0.

**Table 41. FIFO mode selection**

FIFO_MODE_[2:0]	Configuration mode
000	Bypass mode. FIFO disabled.
001	FIFO mode. Stops collecting data when FIFO is full.
010	Reserved
011	Continuous mode until trigger is deasserted, then FIFO mode.
100	Bypass mode until trigger is deasserted, then continuous mode.
101	Reserved
110	Continuous mode. If the FIFO is full, the new sample overwrites the older one.
111	Reserved

## 10.9 DRDY\_PULSE\_CFG (0Bh)

Data-ready configuration register (R/W)

**Table 42. DRDY\_PULSE\_CFG register**

DRDY_PULSED	0 <sup>(1)</sup>	0 <sup>(1)</sup>	0 <sup>(1)</sup>	0 <sup>(1)</sup>	0 <sup>(1)</sup>	0 <sup>(1)</sup>	0 <sup>(1)</sup>
-------------	------------------	------------------	------------------	------------------	------------------	------------------	------------------

1. This bit must be set to 0 for the correct operation of the device.

**Table 43. DRDY\_PULSE\_CFG register description**

DRDY_PULSED	Enables pulsed data-ready mode. Default value: 0 (0: data-ready latched mode. Returns to 0 only after output data has been read; 1: data-ready pulsed mode. The data-ready pulses are 75 µs long.)
-------------	--

## 10.10 INT1\_CTRL (0Dh)

INT1 pad control register (R/W)

Each bit in this register enables a signal to be carried over INT1. The pad's output supplies the OR combination of the selected signals.

**Table 44. INT1\_CTRL register**

0 <sup>(1)</sup>	0 <sup>(1)</sup>	INT1_FULL_FLAG	INT1_FIFO_OVR	INT1_FTH	INT1_BOOT	INT1_DRDY_G	INT1_DRDY_XL
------------------	------------------	----------------	---------------	----------	-----------	-------------	--------------

1. This bit must be set to 0 for the correct operation of the device.

**Table 45. INT1\_CTRL register description**

INT1_FULL_FLAG	FIFO full flag interrupt enable on INT1 pad. Default value: 0 (0: disabled; 1: enabled)
INT1_FIFO_OVR	FIFO overrun interrupt on INT1 pad. Default value: 0 (0: disabled; 1: enabled)
INT1_FTH	FIFO threshold interrupt on INT1 pad. Default value: 0 (0: disabled; 1: enabled)
INT1_BOOT	Boot status available on INT1 pad. Default value: 0 (0: disabled; 1: enabled)
INT1_DRDY_G	Gyroscope data-ready on INT1 pad. Default value: 0 (0: disabled; 1: enabled)
INT1_DRDY_XL	Accelerometer data-ready on INT1 pad. Default value: 0 (0: disabled; 1: enabled)

## 10.11 INT2\_CTRL (0Eh)

INT2 pad control register (R/W)

Each bit in this register enables a signal to be carried over INT2. The pad's output supplies the OR combination of the selected signals.

**Table 46. INT2\_CTRL register**

0 <sup>(1)</sup>	0 <sup>(1)</sup>	INT2_FULL_FLAG	INT2_FIFO_OVR	INT2_FTH	INT2_DRDY_TEMP	INT2_DRDY_G	INT2_DRDY_XL
------------------	------------------	----------------	---------------	----------	----------------	-------------	--------------

1. This bit must be set to 0 for the correct operation of the device.

**Table 47. INT2\_CTRL register description**

INT2_FULL_FLAG	FIFO full flag interrupt enable on INT2 pad. Default value: 0 (0: disabled; 1: enabled)
INT2_FIFO_OVR	FIFO overrun interrupt on INT2 pad. Default value: 0 (0: disabled; 1: enabled)
INT2_FTH	FIFO threshold interrupt on INT2 pad. Default value: 0 (0: disabled; 1: enabled)
INT2_DRDY_TEMP	Temperature data-ready on INT2 pad. Default value: 0 (0: disabled; 1: enabled)
INT2_DRDY_G	Gyroscope data-ready on INT2 pad. Default value: 0 (0: disabled; 1: enabled)
INT2_DRDY_XL	Accelerometer data-ready on INT2 pad. Default value: 0 (0: disabled; 1: enabled)

## 10.12 WHO\_AM\_I (0Fh)

Who\_AM\_I register (R). This register is a read-only register. Its value is fixed at 6Ah.

**Table 48. WHO\_AM\_I register**

0	1	1	0	1	0	1	0
---	---	---	---	---	---	---	---

## 10.13 CTRL1\_XL (10h)

Linear acceleration sensor control register 1 (R/W)

**Table 49. CTRL1\_XL register**

ODR_XL3	ODR_XL2	ODR_XL1	ODR_XL0	FS_XL1	FS_XL0	LPF1_BW_SEL	BW0_XL
---------	---------	---------	---------	--------	--------	-------------	--------

**Table 50. CTRL1\_XL register description**

ODR_XL [3:0]	Output data rate and power mode selection. Default value: 0000 (see Table 51).
FS_XL [1:0]	Accelerometer full-scale selection. Default value: 00 (00: $\pm 2$ g; 01: $\pm 16$ g; 10: $\pm 4$ g; 11: $\pm 8$ g)
LPF1_BW_SEL	Accelerometer digital LPF (LPF1) bandwidth selection. For bandwidth selection refer to CTRL8_XL (17h).
BW0_XL	Accelerometer analog chain bandwidth selection (only for accelerometer ODR $\geq 1.67$ kHz). (0: BW @ 1.5 kHz; 1: BW @ 400 Hz)

**Table 51. Accelerometer ODR register setting**

ODR_XL3	ODR_XL2	ODR_XL1	ODR_XL0	ODR selection [Hz] when XL_HM_MODE = 1	ODR selection [Hz] when XL_HM_MODE = 0
0	0	0	0	Power-down	Power-down
1	0	1	1	1.6 Hz (low power only)	12.5 Hz (high performance)
0	0	0	1	12.5 Hz (low power)	12.5 Hz (high performance)
0	0	1	0	26 Hz (low power)	26 Hz (high performance)
0	0	1	1	52 Hz (low power)	52 Hz (high performance)
0	1	0	0	104 Hz (normal mode)	104 Hz (high performance)
0	1	0	1	208 Hz (normal mode)	208 Hz (high performance)
0	1	1	0	416 Hz (high performance)	416 Hz (high performance)
0	1	1	1	833 Hz (high performance)	833 Hz (high performance)
1	0	0	0	1.66 kHz (high performance)	1.66 kHz (high performance)
1	0	0	1	3.33 kHz (high performance)	3.33 kHz (high performance)
1	0	1	0	6.66 kHz (high performance)	6.66 kHz (high performance)
1	1	x	x	Not allowed	Not allowed

## 10.14 CTRL2\_G (11h)

Angular rate sensor control register 2 (R/W)

**Table 52. CTRL2\_G register**

ODR_G3	ODR_G2	ODR_G1	ODR_G0	FS_G1	FS_G0	FS_125	0 <sup>(1)</sup>
--------	--------	--------	--------	-------	-------	--------	------------------

1. This bit must be set to '0' for the correct operation of the device.

**Table 53. CTRL2\_G register description**

ODR_G [3:0]	Gyroscope output data rate selection. Default value: 0000 (Refer to Table 54)
FS_G [1:0]	Gyroscope full-scale selection. Default value: 00 (00: ±250 dps; 01: ±500 dps; 10: ±1000 dps; 11: ±2000 dps)
FS_125	Gyroscope full-scale at ±125 dps. Default value: 0 (0: disabled; 1: enabled)

**Table 54. Gyroscope ODR configuration setting**

ODR_G3	ODR_G2	ODR_G1	ODR_G0	ODR [Hz] when G_HM_MODE = 1	ODR [Hz] when G_HM_MODE = 0
0	0	0	0	Power down	Power down
0	0	0	1	12.5 Hz (low power)	12.5 Hz (high performance)
0	0	1	0	26 Hz (low power)	26 Hz (high performance)
0	0	1	1	52 Hz (low power)	52 Hz (high performance)
0	1	0	0	104 Hz (normal mode)	104 Hz (high performance)
0	1	0	1	208 Hz (normal mode)	208 Hz (high performance)
0	1	1	0	416 Hz (high performance)	416 Hz (high performance)
0	1	1	1	833 Hz (high performance)	833 Hz (high performance)
1	0	0	0	1.66 kHz (high performance)	1.66 kHz (high performance)
1	0	0	1	3.33 kHz (high performance)	3.33 kHz (high performance)
1	0	1	0	6.66 kHz (high performance)	6.66 kHz (high performance)
1	0	1	1	Not available	Not available



## 10.15 CTRL3\_C (12h)

Control register 3 (R/W)

**Table 55. CTRL3\_C register**

BOOT	BDU	H_LACTIVE	PP_OD	SIM	IF_INC	BLE	SW_RESET
------	-----	-----------	-------	-----	--------	-----	----------

**Table 56. CTRL3\_C register description**

BOOT	Reboots memory content. Default value: 0 (0: normal mode; 1: reboot memory content)
BDU	Block data update. Default value: 0 (0: continuous update; 1: output registers not updated until MSB and LSB have been read)
H_LACTIVE	Interrupt activation level. Default value: 0 (0: interrupt output pads active high; 1: interrupt output pads active low)
PP_OD	Push-pull/open-drain selection on INT1 and INT2 pads. Default value: 0 (0: push-pull mode; 1: open-drain mode)
SIM	SPI serial interface mode selection. Default value: 0 (0: 4-wire interface; 1: 3-wire interface)
IF_INC	Register address automatically incremented during a multiple byte access with a serial interface (I <sup>2</sup> C or SPI). Default value: 1 (0: disabled; 1: enabled)
BLE	Big/little endian data selection. Default value 0 (0: data LSB @ lower address; 1: data MSB @ lower address)
SW_RESET	Software reset. Default value: 0 (0: normal mode; 1: reset device) This bit is automatically cleared.

## 10.16 CTRL4\_C (13h)

Control register 4 (R/W)

**Table 57. CTRL4\_C register**

DEN_XL_EN	SLEEP	INT2_on_INT1	DEN_DRDY_INT1	DRDY_MASK	I2C_disable	LPF1_SEL_G	0 <sup>(1)</sup>
-----------	-------	--------------	---------------	-----------	-------------	------------	------------------

1. This bit must be set to '0' for the correct operation of the device.

**Table 58. CTRL4\_C register description**

DEN_XL_EN	Extend DEN functionality to accelerometer sensor. Default value: 0 (0: disabled; 1: enabled)
SLEEP	Gyroscope sleep mode enable. Default value: 0 (0: disabled; 1: enabled)
INT2_on_INT1	Enables all interrupt signals available on INT1 pad. Default value: 0 (0: interrupt signals divided between INT1 and INT2 pads; 1: all interrupt signals in logic or on INT1 pad)
DEN_DRDY_INT1	DEN DRDY signal on INT1 pad. Default value: 0 (0: disabled; 1: enabled)
DRDY_MASK	Configuration 1 data available enable bit. Default value: 0 (0: DA timer disabled; 1: DA timer enabled)
I2C_disable	Disable I <sup>2</sup> C interface. Default value: 0 (0: both I <sup>2</sup> C and SPI enabled; 1: I <sup>2</sup> C disabled, SPI only)
LPF1_SEL_G	Enable gyroscope digital LPF1 if the auxiliary SPI is disabled; the bandwidth can be selected through FTYPE [1:0] in CTRL6_C (15h) (0: disabled; 1: enabled)

**10.17 CTRL5\_C (14h)**

Control register 5 (R/W)

**Table 59. CTRL5\_C register**

ROUNDING2	ROUNDING1	ROUNDING0	DEN_LH	ST1_G	ST0_G	ST1_XL	ST0_XL
-----------	-----------	-----------	--------	-------	-------	--------	--------

**Table 60. CTRL5\_C register description**

ROUNDING[2:0]	Circular burst mode (wraparound) read from output registers through the primary interface. Default value: 000 (000: no wraparound; others: refer to Table 61)
DEN_LH	DEN active level configuration. Default value: 0 (0: active low; 1: active high)
ST_G [1:0]	Enables angular rate sensor self-test. Default value: 00 (00: self-test disabled; others: refer to Table 62)
ST_XL [1:0]	Enables linear acceleration sensor self-test. Default value: 00 (00: self-test disabled; others: refer to Table 63)

**Table 61. Output registers wraparound pattern**

ROUNDING[2:0]	Wraparound pattern
000	No wraparound
001	Accelerometer only
010	Gyroscope only
011	Gyroscope + accelerometer
100	Registers from <a href="#">SENSORHUB1_REG (2Eh)</a> to <a href="#">SENSORHUB6_REG (33h)</a> only
101	Accelerometer + registers from <a href="#">SENSORHUB1_REG (2Eh)</a> to <a href="#">SENSORHUB6_REG (33h)</a>
110	Gyroscope + accelerometer + registers from <a href="#">SENSORHUB1_REG (2Eh)</a> to <a href="#">SENSORHUB6_REG (33h)</a> and registers from <a href="#">SENSORHUB7_REG (34h)</a> to <a href="#">SENSORHUB12_REG (39h)</a>
111	Gyroscope + accelerometer + registers from <a href="#">SENSORHUB1_REG (2Eh)</a> to <a href="#">SENSORHUB6_REG (33h)</a>

**Table 62. Angular rate sensor self-test mode selection**

ST1_G	ST0_G	Self-test mode
0	0	Normal mode
0	1	Positive sign self-test
1	0	Not allowed
1	1	Negative sign self-test

**Table 63. Linear acceleration sensor self-test mode selection**

ST1_XL	ST0_XL	Self-test mode
0	0	Normal mode
0	1	Positive sign self-test
1	0	Negative sign self-test
1	1	Not allowed

## 10.18 CTRL6\_C (15h)

Angular rate sensor control register 6 (R/W)

**Table 64. CTRL6\_C register**

TRIG_EN	LVL1_EN	LVL2_EN	XL_HM_MODE	USR_OFF_W	0 <sup>(1)</sup>	FTYPE_1	FTYPE_0
---------	---------	---------	------------	-----------	------------------	---------	---------

1. This bit must be set to 0 for the correct operation of the device.

**Table 65. CTRL6\_C register description**

TRIG_EN	Enables DEN data edge-sensitive trigger. Refer to Table 66.
LVL1_EN	Enables DEN data level-sensitive trigger. Refer to Table 66.
LVL2_EN	Enables DEN level-sensitive latched. Refer to Table 66.
XL_HM_MODE	Disables high-performance operating mode for accelerometer. Default value: 0 (0: high-performance operating mode enabled; 1: high-performance operating mode disabled)
USR_OFF_W	Weight of XL user offset bits of registers X_OFS_USR (73h), Y_OFS_USR (74h), Z_OFS_USR (75h) (0: 2 <sup>-10</sup> g/LSB; 1: 2 <sup>-6</sup> g/LSB)
FTYPE[1:0]	Gyroscope low-pass filter (LPF1) bandwidth selection. Table 67 shows the selectable bandwidth values (available if the auxiliary SPI is disabled).

**Table 66. Trigger mode selection**

TRIG_EN, LVL1_EN, LVL2_EN	Trigger mode
100	Edge-sensitive trigger mode is selected
010	Level-sensitive trigger mode is selected
011	Level-sensitive latched mode is selected
110	Level-sensitive FIFO enable mode is selected

**Table 67. Gyroscope LPF1 bandwidth selection**

FTYPE[1:0]	ODR = 800 Hz		ODR = 1.6 kHz		ODR = 3.3 kHz		ODR = 6.6 kHz	
	BW	Phase delay <sup>(1)</sup>	BW	Phase delay <sup>(1)</sup>	BW	Phase delay <sup>(1)</sup>	BW	Phase delay <sup>(1)</sup>
00	245 Hz	14°	315 Hz	10°	343 Hz	8°	351 Hz	7°
01	195 Hz	17°	224 Hz	12°	234 Hz	10°	237 Hz	9°
10	155 Hz	19°	168 Hz	15°	172 Hz	12°	173 Hz	11°
11	293 Hz	13°	505 Hz	8°	925 Hz	6°	937 Hz	5°

1. Phase delay @ 20 Hz

## 10.19 CTRL7\_G (16h)

Angular rate sensor control register 7 (R/W)

**Table 68. CTRL7\_G register**

G_HM_MODE	HP_EN_G	HPM1_G	HPM0_G	0 <sup>(1)</sup>	ROUNDING_STATUS	0 <sup>(1)</sup>	0 <sup>(1)</sup>
-----------	---------	--------	--------	------------------	-----------------	------------------	------------------

1. This bit must be set to 0 for the correct operation of the device.

**Table 69. CTRL7\_G register description**

G_HM_MODE	Disables high-performance operating mode for gyroscope. Default: 0 (0: high-performance operating mode enabled; 1: high-performance operating mode disabled)
HP_EN_G	Enables gyroscope digital high-pass filter. The filter is enabled only if the gyroscope is in HP mode. Default value: 0 (0: HPF disabled; 1: HPF enabled)
HPM_G[1:0]	Gyroscope digital HP filter cutoff selection. Default: 00 (00: 16 mHz; 01: 65 mHz; 10: 260 mHz; 11: 1.04 Hz)
ROUNDING_STATUS	Source register wraparound function on <a href="#">WAKE_UP_SRC (1Bh)</a> , <a href="#">TAP_SRC (1Ch)</a> , <a href="#">D6D_SRC (1Dh)</a> , <a href="#">STATUS_REG (1Eh)</a> , and <a href="#">FUNC_SRC1 (53h)</a> registers in the primary interface. Default value: 0 (0: wraparound disabled; 1: wraparound enabled)

## 10.20 CTRL8\_XL (17h)

Linear acceleration sensor control register 8 (R/W)

**Table 70. CTRL8\_XL register**

LPF2_XL_EN	HPCF_XL1	HPCF_XL0	HP_REF_MODE	INPUT_COMPOSITE	HP_SLOPE_XL_EN	0 <sup>(1)</sup>	LOW_PASS_ON_6D
------------	----------	----------	-------------	-----------------	----------------	------------------	----------------

1. This bit must be set to '0' for the correct operation of the device.

**Table 71. CTRL8\_XL register description**

LPF2_XL_EN	Accelerometer low-pass filter LPF2 selection. Refer to <a href="#">Figure 9</a> .
HPCF_XL[1:0]	Accelerometer LPF2 and high-pass filter configuration and cutoff setting. Refer to <a href="#">Table 72</a> .
HP_REF_MODE	Enable HP filter reference mode. Default value: 0 <sup>(1)</sup> (0: disabled; 1: enabled)
INPUT_COMPOSITE	Composite filter input selection. Default: 0 (0: ODR/2 low pass filtered sent to composite filter (default) 1: ODR/4 low pass filtered sent to composite filter)
HP_SLOPE_XL_EN	Accelerometer slope filter / high-pass filter selection. Refer to <a href="#">Figure 9</a> .
LOW_PASS_ON_6D	LPF2 on 6D function selection. Refer to <a href="#">Figure 9</a> .

1. When enabled, the first output data has to be discarded.

**Table 72. Accelerometer bandwidth selection**

HP_SLOPE_XL_EN	LPF2_XL_EN	LPF1_BW_SEL	HPCF_XL[1:0]	INPUT_COMPOSITE	Bandwidth	
0 <sup>(1)</sup> (low-pass path)	0	0	-	-	ODR/2	
		1	-	-	ODR/4	
	1	-	-	00	1 (low noise)	ODR/50
				01		ODR/100
				10	0 (low latency)	ODR/9
				11		ODR/400
1 <sup>(2)</sup> (high-pass path)	-	-	00	0	ODR/4	
			01		ODR/100	
			10		ODR/9	
			11		ODR/400	

1. The bandwidth column is related to LPF1 if LPF2\_XL\_EN = 0 or to LPF2 if LPF2\_XL\_EN = 1.

2. The bandwidth column is related to the slope filter if HPCF\_XL[1:0] = 00 or to the HP filter if HPCF\_XL[1:0] = 01/10/11.

## 10.21 CTRL9\_XL (18h)

Linear acceleration sensor control register 9 (R/W)

**Table 73. CTRL9\_XL register**

DEN_X	DEN_Y	DEN_Z	DEN_XL_G	0 <sup>(1)</sup>	SOFT_EN	0 <sup>(1)</sup>	0 <sup>(1)</sup>
-------	-------	-------	----------	------------------	---------	------------------	------------------

1. This bit must be set to 0 for the correct operation of the device.

**Table 74. CTRL9\_XL register description**

DEN_X	DEN value stored in LSB of X-axis. Default value: 1 (0: DEN not stored in X-axis LSB; 1: DEN stored in X-axis LSB)
DEN_Y	DEN value stored in LSB of Y-axis. Default value: 1 (0: DEN not stored in Y-axis LSB; 1: DEN stored in Y-axis LSB)
DEN_Z	DEN value stored in LSB of Z-axis. Default value: 1 (0: DEN not stored in Z-axis LSB; 1: DEN stored in Z-axis LSB)
DEN_XL_G	DEN stamping sensor selection. Default value: 0 (0: DEN pin info stamped in the gyroscope axis selected by bits [7:5]; 1: DEN pin info stamped in the accelerometer axis selected by bits [7:5])
SOFT_EN	Enable soft-iron correction algorithm for magnetometer. Default value: 0 <sup>(1)</sup> (0: soft-iron correction algorithm disabled; 1: soft-iron correction algorithm enabled)

1. This bit is active if the IRON\_EN bit of MASTER\_CONFIG (1Ah) and FUNC\_EN bit of CTRL10\_C (19h) are set to 1.

## 10.22 CTRL10\_C (19h)

Control register 10 (R/W)

**Table 75. CTRL10\_C register**

0 <sup>(1)</sup>	0 <sup>(1)</sup>	TIMER_EN	0 <sup>(1)</sup>	TILT_EN	FUNC_EN	0 <sup>(1)</sup>	0 <sup>(1)</sup>
------------------	------------------	----------	------------------	---------	---------	------------------	------------------

1. This bit must be set to 0 for the correct operation of the device.

**Table 76. CTRL10\_C register description**

TIMER_EN	Enables timestamp count. The count is saved in TIMESTAMP0_REG (40h), TIMESTAMP1_REG (41h) and TIMESTAMP2_REG (42h). Default: 0 (0: timestamp count disabled; 1: timestamp count enabled)
TILT_EN	Enables tilt calculation. <sup>(1)</sup>
FUNC_EN	Enables embedded functionalities (tilt, sensor hub and ironing). Default value: 0 (0: disable functionalities of embedded functions and accelerometer filters; 1: enable functionalities of embedded functions and accelerometer filters)

1. This bit is active if the FUNC\_EN bit is set to 1.

## 10.23 MASTER\_CONFIG (1Ah)

Master configuration register (R/W)

**Table 77. MASTER\_CONFIG register**

DRDY_ON_INT1	DATA_VALID_SEL_FIFO	0 <sup>(1)</sup>	START_CONFIG	PULL_UP_EN	PASS_THROUGH_MODE	IRON_EN	MASTER_ON
--------------	---------------------	------------------	--------------	------------	-------------------	---------	-----------

1. This bit must be set to 0 for the correct operation of the device.

**Table 78. MASTER\_CONFIG register description**

DRDY_ON_INT1	Manages the master DRDY signal on INT1 pad. Default: 0 (0: disable master DRDY on INT1; 1: enable master DRDY on INT1)
DATA_VALID_SEL_FIFO	Selection of FIFO data-valid signal. Default value: 0 (0: data-valid signal used to write data in FIFO is the accelerometer/gyroscope data-ready; 1: data-valid signal used to write data in FIFO is the sensor hub data-ready)
START_CONFIG	Sensor hub trigger signal selection. Default value: 0 (0: sensor hub signal is the accelerometer/gyroscope data-ready; 1: sensor hub signal external from INT2 pad.)
PULL_UP_EN	Auxiliary I <sup>2</sup> C pull-up. Default value: 0 (0: internal pull-up on auxiliary I <sup>2</sup> C line disabled; 1: internal pull-up on auxiliary I <sup>2</sup> C line enabled)
PASS_THROUGH_MODE	I <sup>2</sup> C interface pass-through. Default value: 0 (0: pass-through disabled; 1: pass-through enabled)
IRON_EN	Enables hard-iron correction algorithm for magnetometer. Default value: 0 <sup>(1)</sup> (0: hard-iron correction algorithm disabled; 1: hard-iron correction algorithm enabled)
MASTER_ON	Enables sensor hub I <sup>2</sup> C master <sup>(1)</sup> . Default: 0 (0: master I <sup>2</sup> C of sensor hub disabled; 1: master I <sup>2</sup> C of sensor hub enabled)

1. This bit is active if the FUNC\_EN bit is set to 1.



## 10.24 WAKE\_UP\_SRC (1Bh)

Wake-up interrupt source register (R)

**Table 79. WAKE\_UP\_SRC register**

0	0	FF_IA	SLEEP_STATE_IA	WU_IA	X_WU	Y_WU	Z_WU
---	---	-------	----------------	-------	------	------	------

**Table 80. WAKE\_UP\_SRC register description**

FF_IA	Free-fall event detection status. Default: 0 (0: free-fall event not detected; 1: free-fall event detected)
SLEEP_STATE_IA	Sleep event status. Default value: 0 (0: sleep event not detected; 1: sleep event detected)
WU_IA	Wake-up event detection status. Default value: 0 (0: wake-up event not detected; 1: wake-up event detected.)
X_WU	Wake-up event detection status on X-axis. Default value: 0 (0: wake-up event on X-axis not detected; 1: wake-up event on X-axis detected)
Y_WU	Wake-up event detection status on Y-axis. Default value: 0 (0: wake-up event on Y-axis not detected; 1: wake-up event on Y-axis detected)
Z_WU	Wake-up event detection status on Z-axis. Default value: 0 (0: wake-up event on Z-axis not detected; 1: wake-up event on Z-axis detected)

## 10.25 TAP\_SRC (1Ch)

Tap source register (R)

**Table 81. TAP\_SRC register**

0	TAP_IA	SINGLE_TAP	DOUBLE_TAP	TAP_SIGN	X_TAP	Y_TAP	Z_TAP
---	--------	------------	------------	----------	-------	-------	-------

**Table 82. TAP\_SRC register description**

TAP_IA	Tap event detection status. Default: 0 (0: tap event not detected; 1: tap event detected)
SINGLE_TAP	Single-tap event status. Default value: 0 (0: single tap event not detected; 1: single tap event detected)
DOUBLE_TAP	Double-tap event detection status. Default value: 0 (0: double-tap event not detected; 1: double-tap event detected.)
TAP_SIGN	Sign of acceleration detected by tap event. Default: 0 (0: positive sign of acceleration detected by tap event; 1: negative sign of acceleration detected by tap event)
X_TAP	Tap event detection status on X-axis. Default value: 0 (0: tap event on X-axis not detected; 1: tap event on X-axis detected)
Y_TAP	Tap event detection status on Y-axis. Default value: 0 (0: tap event on Y-axis not detected; 1: tap event on Y-axis detected)
Z_TAP	Tap event detection status on Z-axis. Default value: 0 (0: tap event on Z-axis not detected; 1: tap event on Z-axis detected)

## 10.26 D6D\_SRC (1Dh)

6D orientation source register (R)

**Table 83. D6D\_SRC register**

DEN_DRDY	D6D_IA	ZH	ZL	YH	YL	XH	XL
----------	--------	----	----	----	----	----	----

**Table 84. D6D\_SRC register description**

DEN_DRDY	DEN data-ready signal. It is set high when data output is related to the data coming from a DEN active condition. <sup>(1)</sup>
D6D_IA	Interrupt active for change position portrait, landscape, face-up, face-down. Default value: 0 (0: change position not detected; 1: change position detected)
ZH	Z-axis high event (over threshold). Default value: 0 (0: event not detected; 1: event (overthreshold) detected)
ZL	Z-axis low event (under threshold). Default value: 0 (0: event not detected; 1: event (underthreshold) detected)
YH	Y-axis high event (over threshold). Default value: 0 (0: event not detected; 1: event (overthreshold) detected)
YL	Y-axis low event (under threshold). Default value: 0 (0: event not detected; 1: event (underthreshold) detected)
XH	X-axis high event (over threshold). Default value: 0 (0: event not detected; 1: event (overthreshold) detected)
XL	X-axis low event (under threshold). Default value: 0 (0: event not detected; 1: event (underthreshold) detected)

1. The DEN data-ready signal can be latched or pulsed depending on the value of the DRDY\_PULSED bit of the DRDY\_PULSE\_CFG (0Bh) register.

## 10.27 STATUS\_REG/STATUS\_SPIAux (1Eh)

The STATUS\_REG register is read by the primary interface SPI/I<sup>2</sup>C (R).

**Table 85. STATUS\_REG register**

0	0	0	0	0	TDA	GDA	XLDA
---	---	---	---	---	-----	-----	------

**Table 86. STATUS\_REG register description**

TDA	Temperature new data available. Default: 0 (0: no set of data is available at temperature sensor output; 1: a new set of data is available at temperature sensor output)
GDA	Gyroscope new data available. Default value: 0 (0: no set of data available at gyroscope output; 1: a new set of data is available at gyroscope output)
XLDA	Accelerometer new data available. Default value: 0 (0: no set of data available at accelerometer output; 1: a new set of data is available at accelerometer output)

The STATUS\_SPIAux register is read by the auxiliary SPI.

**Table 87. STATUS\_SPIAux register**

0	0	0	0	0	GYRO_SETTLING	GDA	XLDA
---	---	---	---	---	---------------	-----	------

**Table 88. STATUS\_SPIAux description**

GYRO_SETTLING	High when the gyroscope output is in the settling phase
GDA	Gyroscope data available (reset when one of the high bytes of the output data is read)
XLDA	Accelerometer data available (reset when one of the high bytes of the output data is read)

## 10.28 OUT\_TEMP\_L (20h), OUT\_TEMP\_H (21h)

Temperature data output register (R). L and H registers together express a 16-bit word in two's complement.

**Table 89. OUT\_TEMP\_L register**

Temp7	Temp6	Temp5	Temp4	Temp3	Temp2	Temp1	Temp0
-------	-------	-------	-------	-------	-------	-------	-------

**Table 90. OUT\_TEMP\_H register**

Temp15	Temp14	Temp13	Temp12	Temp11	Temp10	Temp9	Temp8
--------	--------	--------	--------	--------	--------	-------	-------

**Table 91. OUT\_TEMP register description**

Temp[15:0]	Temperature sensor output data The value is expressed as two's complement sign extended on the MSB.
------------	--

### 10.29 OUTX\_L\_G (22h)

Angular rate sensor pitch axis (X) angular rate output register (R). The value is expressed as a 16-bit word in two's complement.

If this register is read by the primary interface, data are according to the full scale and ODR settings (CTRL2\_G (11h)) of the gyroscope general-purpose interface.

If this register is read by the auxiliary interface, data are according to the full scale and ODR (6.66 kHz) settings of the OIS gyroscope.

**Table 92. OUTX\_L\_G register**

D7	D6	D5	D4	D3	D2	D1	D0
----	----	----	----	----	----	----	----

**Table 93. OUTX\_L\_G register description**

D[7:0]	Pitch axis (X) angular rate value (LSbyte) D[15:0] expressed in two's complement and its value depends on the interface used: SPI1/I <sup>2</sup> C: gyroscope GP chain pitch axis output SPI2: gyroscope OIS chain pitch axis output
--------	--

### 10.30 OUTX\_H\_G (23h)

Angular rate sensor pitch axis (X) angular rate output register (R). The value is expressed as a 16-bit word in two's complement.

If this register is read by the primary interface, data are according to the full scale and ODR settings (CTRL2\_G (11h)) of the gyroscope general-purpose interface.

If this register is read by the auxiliary interface, data are according to the full scale and ODR (6.66 kHz) settings of the OIS gyroscope.

**Table 94. OUTX\_H\_G register**

D15	D14	D13	D12	D11	D10	D9	D8
-----	-----	-----	-----	-----	-----	----	----

**Table 95. OUTX\_H\_G register description**

D[15:8]	Pitch axis (X) angular rate value (MSbyte) D[15:0] expressed in two's complement and its value depends on the interface used: SPI1/I <sup>2</sup> C: gyroscope GP chain pitch axis output SPI2: gyroscope OIS chain pitch axis output
---------	--

### 10.31 OUTY\_L\_G (24h)

Angular rate sensor roll axis (Y) angular rate output register (R). The value is expressed as a 16-bit word in two's complement.

If this register is read by the primary interface, data are according to the full scale and ODR settings (**CTRL2\_G (11h)**) of the gyroscope general-purpose interface.

If this register is read by the auxiliary interface, data are according to the full scale and ODR (6.66 kHz) settings of the OIS gyroscope.

**Table 96. OUTY\_L\_G register**

D7	D6	D5	D4	D3	D2	D1	D0
----	----	----	----	----	----	----	----

**Table 97. OUTY\_L\_G register description**

D[7:0]	Roll axis (Y) angular rate value (LSbyte) D[15:0] expressed in two's complement and its value depends on the interface used: SPI1/I <sup>2</sup> C: gyroscope GP chain roll axis output SPI2: gyroscope OIS chain roll axis output
--------	---

### 10.32 OUTY\_H\_G (25h)

Angular rate sensor roll axis (Y) angular rate output register (R). The value is expressed as a 16-bit word in two's complement.

If this register is read by the primary interface, data are according to the full scale and ODR settings (**CTRL2\_G (11h)**) of the gyroscope general-purpose interface.

If this register is read by the auxiliary interface, data are according to the full scale and ODR (6.66 kHz) settings of the OIS gyroscope.

**Table 98. OUTY\_H\_G register**

D15	D14	D13	D12	D11	D10	D9	D8
-----	-----	-----	-----	-----	-----	----	----

**Table 99. OUTY\_H\_G register description**

D[15:8]	Roll axis (Y) angular rate value (MSbyte) D[15:0] expressed in two's complement and its value depends on the interface used: SPI1/I <sup>2</sup> C: gyroscope GP chain roll axis output SPI2: gyroscope OIS chain roll axis output
---------	---

### 10.33 OUTZ\_L\_G (26h)

Angular rate sensor yaw axis (Z) angular rate output register (R). The value is expressed as a 16-bit word in two's complement.

If this register is read by the primary interface, data are according to the full scale and ODR settings (**CTRL2\_G (11h)**) of the gyroscope general-purpose interface.

If this register is read by the auxiliary interface, data are according to the full scale and ODR (6.66 kHz) settings of the OIS gyroscope.

**Table 100. OUTZ\_L\_G register**

D7	D6	D5	D4	D3	D2	D1	D0
----	----	----	----	----	----	----	----

**Table 101. OUTZ\_L\_G register description**

D[7:0]	Yaw axis (Z) angular rate value (LSbyte) D[15:0] expressed in two's complement and its value depends on the interface used: SPI1/I <sup>2</sup> C: gyroscope GP chain yaw axis output SPI2: gyroscope OIS chain yaw axis output
--------	--

### 10.34 OUTZ\_H\_G (27h)

Angular rate sensor Yaw axis (Z) angular rate output register (R). The value is expressed as a 16-bit word in two's complement.

If this register is read by the primary interface, data are according to the full scale and ODR settings (**CTRL2\_G (11h)**) of the gyroscope general-purpose interface.

If this register is read by the auxiliary interface, data are according to the full scale and ODR (6.66 kHz) settings of the OIS gyroscope.

**Table 102. OUTZ\_H\_G register**

D15	D14	D13	D12	D11	D10	D9	D8
-----	-----	-----	-----	-----	-----	----	----

**Table 103. OUTZ\_H\_G register description**

D[15:8]	Yaw axis (Z) angular rate value (MSbyte) D[15:0] expressed in two's complement and its value depends on the interface used: SPI1/I <sup>2</sup> C: gyroscope GP chain yaw axis output SPI2: gyroscope OIS chain yaw axis output
---------	--

### 10.35 OUTX\_L\_XL (28h)

Linear acceleration sensor X-axis output register (R). The value is expressed as a 16-bit word in two's complement.

Accelerometer data can be read also from the auxiliary SPI @6.6 kHz.

**Table 104. OUTX\_L\_XL register**

D7	D6	D5	D4	D3	D2	D1	D0
----	----	----	----	----	----	----	----

**Table 105. OUTX\_L\_XL register description**

D[7:0]	X-axis linear acceleration value (LSbyte)
--------	---

### 10.36 OUTX\_H\_XL (29h)

Linear acceleration sensor X-axis output register (R). The value is expressed as a 16-bit word in two's complement.

Accelerometer data can be read also from the auxiliary SPI @6.6 kHz.

**Table 106. OUTX\_H\_XL register**

D15	D14	D13	D12	D11	D10	D9	D8
-----	-----	-----	-----	-----	-----	----	----

**Table 107. OUTX\_H\_XL register description**

D[15:8]	X-axis linear acceleration value (MSbyte)
---------	---

### 10.37 OUTY\_L\_XL (2Ah)

Linear acceleration sensor Y-axis output register (R). The value is expressed as a 16-bit word in two's complement.

Accelerometer data can be read also from the auxiliary SPI @6.6 kHz.

**Table 108. OUTY\_L\_XL register**

D7	D6	D5	D4	D3	D2	D1	D0
----	----	----	----	----	----	----	----

**Table 109. OUTY\_L\_XL register description**

D[7:0]	Y-axis linear acceleration value (LSbyte)
--------	---

### 10.38 OUTY\_H\_XL (2Bh)

Linear acceleration sensor Y-axis output register (R). The value is expressed as a 16-bit word in two's complement.

Accelerometer data can be read also from the auxiliary SPI @6.6 kHz.

**Table 110. OUTY\_H\_XL register**

D15	D14	D13	D12	D11	D10	D9	D8
-----	-----	-----	-----	-----	-----	----	----

**Table 111. OUTY\_H\_XL register description**

D[15:8]	Y-axis linear acceleration value (MSbyte)
---------	---

### 10.39 OUTZ\_L\_XL (2Ch)

Linear acceleration sensor Z-axis output register (R). The value is expressed as a 16-bit word in two's complement.

Accelerometer data can be read also from the auxiliary SPI @6.6 kHz.

**Table 112. OUTZ\_L\_XL register**

D7	D6	D5	D4	D3	D2	D1	D0
----	----	----	----	----	----	----	----

**Table 113. OUTZ\_L\_XL register description**

D[7:0]	Z-axis linear acceleration value (LSbyte)
--------	---

### 10.40 OUTZ\_H\_XL (2Dh)

Linear acceleration sensor Z-axis output register (R). The value is expressed as a 16-bit word in two's complement.

Accelerometer data can be read also from the auxiliary SPI @6.6 kHz.

**Table 114. OUTZ\_H\_XL register**

D15	D14	D13	D12	D11	D10	D9	D8
-----	-----	-----	-----	-----	-----	----	----

**Table 115. OUTZ\_H\_XL register description**

D[15:8]	Z-axis linear acceleration value (MSbyte)
---------	---



### 10.41 SENSORHUB1\_REG (2Eh)

First byte associated to external sensors. The content of the register is consistent with the SLVx\_CONFIG number of read operation configurations (for external sensors from x = 0 to x = 3).

**Table 116. SENSORHUB1\_REG register**

SHub1_7	SHub1_6	SHub1_5	SHub1_4	SHub1_3	SHub1_2	SHub1_1	SHub1_0
---------	---------	---------	---------	---------	---------	---------	---------

**Table 117. SENSORHUB1\_REG register description**

SHub1_[7:0]	First byte associated to external sensors
-------------	---

### 10.42 SENSORHUB2\_REG (2Fh)

Second byte associated to external sensors. The content of the register is consistent with the SLVx\_CONFIG number of read operations configurations (for external sensors from x = 0 to x = 3).

**Table 118. SENSORHUB2\_REG register**

SHub2_7	SHub2_6	SHub2_5	SHub2_4	SHub2_3	SHub2_2	SHub2_1	SHub2_0
---------	---------	---------	---------	---------	---------	---------	---------

**Table 119. SENSORHUB2\_REG register description**

SHub2_[7:0]	Second byte associated to external sensors
-------------	--

### 10.43 SENSORHUB3\_REG (30h)

Third byte associated to external sensors. The content of the register is consistent with the SLVx\_CONFIG number of read operations configurations (for external sensors from x = 0 to x = 3).

**Table 120. SENSORHUB3\_REG register**

SHub3_7	SHub3_6	SHub3_5	SHub3_4	SHub3_3	SHub3_2	SHub3_1	SHub3_0
---------	---------	---------	---------	---------	---------	---------	---------

**Table 121. SENSORHUB3\_REG register description**

SHub3_[7:0]	Third byte associated to external sensors
-------------	---

### 10.44 SENSORHUB4\_REG (31h)

Fourth byte associated to external sensors. The content of the register is consistent with the SLVx\_CONFIG number of read operation configurations (for external sensors from x = 0 to x = 3).

**Table 122. SENSORHUB4\_REG register**

SHub4_7	SHub4_6	SHub4_5	SHub4_4	SHub4_3	SHub4_2	SHub4_1	SHub4_0
---------	---------	---------	---------	---------	---------	---------	---------

**Table 123. SENSORHUB4\_REG register description**

SHub4_[7:0]	Fourth byte associated to external sensors
-------------	--

### 10.45 SENSORHUB5\_REG (32h)

Fifth byte associated to external sensors. The content of the register is consistent with the SLVx\_CONFIG number of read operation configurations (for external sensors from x = 0 to x = 3).

**Table 124. SENSORHUB5\_REG register**

SHub5_7	SHub5_6	SHub5_5	SHub5_4	SHub5_3	SHub5_2	SHub5_1	SHub5_0
---------	---------	---------	---------	---------	---------	---------	---------

**Table 125. SENSORHUB5\_REG register description**

SHub5_[7:0]	Fifth byte associated to external sensors
-------------	---

### 10.46 SENSORHUB6\_REG (33h)

Sixth byte associated to external sensors. The content of the register is consistent with the SLVx\_CONFIG number of read operation configurations (for external sensors from x = 0 to x = 3).

**Table 126. SENSORHUB6\_REG register**

SHub6_7	SHub6_6	SHub6_5	SHub6_4	SHub6_3	SHub6_2	SHub6_1	SHub6_0
---------	---------	---------	---------	---------	---------	---------	---------

**Table 127. SENSORHUB6\_REG register description**

SHub6_[7:0]	Sixth byte associated to external sensors
-------------	---

### 10.47 SENSORHUB7\_REG (34h)

Seventh byte associated to external sensors. The content of the register is consistent with the SLVx\_CONFIG number of read operation configurations (for external sensors from x = 0 to x = 3).

**Table 128. SENSORHUB7\_REG register**

SHub7_7	SHub7_6	SHub7_5	SHub7_4	SHub7_3	SHub7_2	SHub7_1	SHub7_0
---------	---------	---------	---------	---------	---------	---------	---------

**Table 129. SENSORHUB7\_REG register description**

SHub7_[7:0]	Seventh byte associated to external sensors
-------------	---

### 10.48 SENSORHUB8\_REG (35h)

Eighth byte associated to external sensors. The content of the register is consistent with the SLVx\_CONFIG number of read operation configurations (for external sensors from x = 0 to x = 3).

**Table 130. SENSORHUB8\_REG register**

SHub8_7	SHub8_6	SHub8_5	SHub8_4	SHub8_3	SHub8_2	SHub8_1	SHub8_0
---------	---------	---------	---------	---------	---------	---------	---------

**Table 131. SENSORHUB8\_REG register description**

SHub8_[7:0]	Eighth byte associated to external sensors
-------------	--

### 10.49 SENSORHUB9\_REG (36h)

Ninth byte associated to external sensors. The content of the register is consistent with the SLVx\_CONFIG number of read operation configurations (for external sensors from x = 0 to x = 3).

**Table 132. SENSORHUB9\_REG register**

SHub9_7	SHub9_6	SHub9_5	SHub9_4	SHub9_3	SHub9_2	SHub9_1	SHub9_0
---------	---------	---------	---------	---------	---------	---------	---------

**Table 133. SENSORHUB9\_REG register description**

SHub9_[7:0]	Ninth byte associated to external sensors
-------------	---

### 10.50 SENSORHUB10\_REG (37h)

Tenth byte associated to external sensors. The content of the register is consistent with the SLVx\_CONFIG number of read operation configurations (for external sensors from x = 0 to x = 3).

**Table 134. SENSORHUB10\_REG register**

SHub10_7	SHub10_6	SHub10_5	SHub10_4	SHub10_3	SHub10_2	SHub10_1	SHub10_0
----------	----------	----------	----------	----------	----------	----------	----------

**Table 135. SENSORHUB10\_REG register description**

SHub10_[7:0]	Tenth byte associated to external sensors
--------------	---

### 10.51 SENSORHUB11\_REG (38h)

Eleventh byte associated to external sensors. The content of the register is consistent with the SLVx\_CONFIG number of read operation configurations (for external sensors from x = 0 to x = 3).

**Table 136. SENSORHUB11\_REG register**

SHub11_7	SHub11_6	SHub11_5	SHub11_4	SHub11_3	SHub11_2	SHub11_1	SHub11_0
----------	----------	----------	----------	----------	----------	----------	----------

**Table 137. SENSORHUB11\_REG register description**

SHub11_[7:0]	Eleventh byte associated to external sensors
--------------	--

### 10.52 SENSORHUB12\_REG (39h)

Twelfth byte associated to external sensors. The content of the register is consistent with the SLVx\_CONFIG number of read operation configurations (for external sensors from x = 0 to x = 3).

**Table 138. SENSORHUB12\_REG register**

SHub12_7	SHub12_6	SHub12_5	SHub12_4	SHub12_3	SHub12_2	SHub12_1	SHub12_0
----------	----------	----------	----------	----------	----------	----------	----------

**Table 139. SENSORHUB12\_REG register description**

SHub12[7:0]	Twelfth byte associated to external sensors
-------------	---

### 10.53 FIFO\_STATUS1 (3Ah)

FIFO status control register (R). For a proper read of the register, it is recommended to set the BDU bit in CTRL3\_C (12h) to 1.

**Table 140. FIFO\_STATUS1 register**

DIFF_FIFO_7	DIFF_FIFO_6	DIFF_FIFO_5	DIFF_FIFO_4	DIFF_FIFO_3	DIFF_FIFO_2	DIFF_FIFO_1	DIFF_FIFO_0
-------------	-------------	-------------	-------------	-------------	-------------	-------------	-------------

**Table 141. FIFO\_STATUS1 register description**

DIFF_FIFO_[7:0]	Number of unread words (16-bit axes) stored in FIFO.
-----------------	--

### 10.54 FIFO\_STATUS2 (3Bh)

FIFO status control register (R). For a proper read of the register, it is recommended to set the BDU bit in CTRL3\_C (12h) to 1.

**Table 142. FIFO\_STATUS2 register**

WaterM	OVER_RUN	FIFO_FULL_SMART	FIFO_EMPTY	0	DIFF_FIFO_10	DIFF_FIFO_9	DIFF_FIFO_8
--------	----------	-----------------	------------	---	--------------	-------------	-------------

**Table 143. FIFO\_STATUS2 register**

WaterM	FIFO watermark status. The watermark is set through bits FTH_[7:0] in FIFO_CTRL1 (06h). Default value: 0 (0: FIFO filling is lower than watermark level <sup>(1)</sup> ; 1: FIFO filling is equal to or higher than the watermark level)
OVER_RUN	FIFO overrun status. Default value: 0 (0: FIFO is not completely filled; 1: FIFO is completely filled)
FIFO_FULL_SMART	Smart FIFO full status. Default value: 0 (0: FIFO is not full; 1: FIFO will be full at the next ODR)
FIFO_EMPTY	FIFO empty bit. Default value: 0 (0: FIFO contains data; 1: FIFO is empty)
DIFF_FIFO_[10:8]	Number of unread words (16-bit axes) stored in FIFO. <sup>(2)</sup>

1. FIFO watermark level is set in FTH\_[10:0] in FIFO\_CTRL1 (06h) and FIFO\_CTRL2 (07h)

2. For a complete number of unread samples, consider DIFF\_FIFO [7:0] in FIFO\_STATUS1 (3Ah)

### 10.55 FIFO\_STATUS3 (3Ch)

FIFO status control register (R). For a proper read of the register, it is recommended to set the BDU bit in CTRL3\_C (12h) to 1.

**Table 144. FIFO\_STATUS3 register**

FIFO_PATTERN_7	FIFO_PATTERN_6	FIFO_PATTERN_5	FIFO_PATTERN_4	FIFO_PATTERN_3	FIFO_PATTERN_2	FIFO_PATTERN_1	FIFO_PATTERN_0
----------------	----------------	----------------	----------------	----------------	----------------	----------------	----------------

**Table 145. FIFO\_STATUS3 register description**

FIFO_PATTERN_[7:0]	Word of recursive pattern read at the next read.
--------------------	--

### 10.56 FIFO\_STATUS4 (3Dh)

FIFO status control register (R). For a proper read of the register, it is recommended to set the BDU bit in CTRL3\_C (12h) to 1.

**Table 146. FIFO\_STATUS4 register**

0	0	0	0	0	0	FIFO_PATTERN_9	FIFO_PATTERN_8
---	---	---	---	---	---	----------------	----------------

**Table 147. FIFO\_STATUS4 register description**

FIFO_PATTERN_[9:8]	Word of recursive pattern read at the next read.
--------------------	--

### 10.57 FIFO\_DATA\_OUT\_L (3Eh)

FIFO data output register (R). For a proper read of the register, it is recommended to set the BDU bit in CTRL3\_C (12h) to 1.

**Table 148. FIFO\_DATA\_OUT\_L register**

DATA_OUT_FIFO_L_7	DATA_OUT_FIFO_L_6	DATA_OUT_FIFO_L_5	DATA_OUT_FIFO_L_4	DATA_OUT_FIFO_L_3	DATA_OUT_FIFO_L_2	DATA_OUT_FIFO_L_1	DATA_OUT_FIFO_L_0
-------------------	-------------------	-------------------	-------------------	-------------------	-------------------	-------------------	-------------------

**Table 149. FIFO\_DATA\_OUT\_L register description**

DATA_OUT_FIFO_L_[7:0]	FIFO data output (first byte)
-----------------------	-------------------------------

### 10.58 FIFO\_DATA\_OUT\_H (3Fh)

FIFO data output register (R). For a proper read of the register, it is recommended to set the BDU bit in CTRL3\_C (12h) to 1.

**Table 150. FIFO\_DATA\_OUT\_H register**

DATA_OUT_FIFO_H_7	DATA_OUT_FIFO_H_6	DATA_OUT_FIFO_H_5	DATA_OUT_FIFO_H_4	DATA_OUT_FIFO_H_3	DATA_OUT_FIFO_H_2	DATA_OUT_FIFO_H_1	DATA_OUT_FIFO_H_0
-------------------	-------------------	-------------------	-------------------	-------------------	-------------------	-------------------	-------------------

**Table 151. FIFO\_DATA\_OUT\_H register description**

DATA_OUT_FIFO_H_[7:0]	FIFO data output (second byte)
-----------------------	--------------------------------

### 10.59 **TIMESTAMP0\_REG (40h)**

Timestamp first (least significant) byte data output register (R). The value is expressed as a 24-bit word and the bit resolution is defined by setting the value in [WAKE\\_UP\\_DUR \(5Ch\)](#).

**Table 152. TIMESTAMP0\_REG register**

TIME STAMP0_7	TIME STAMP0_6	TIME STAMP0_5	TIME STAMP0_4	TIME STAMP0_3	TIME STAMP0_2	TIME STAMP0_1	TIME STAMP0_0
---------------	---------------	---------------	---------------	---------------	---------------	---------------	---------------

**Table 153. TIMESTAMP0\_REG register description**

TIMESTAMP0_[7:0]	TIMESTAMP first byte data output
------------------	----------------------------------

### 10.60 **TIMESTAMP1\_REG (41h)**

Timestamp second byte data output register (R). The value is expressed as a 24-bit word and the bit resolution is defined by setting value in [WAKE\\_UP\\_DUR \(5Ch\)](#).

**Table 154. TIMESTAMP1\_REG register**

TIME STAMP1_7	TIME STAMP1_6	TIME STAMP1_5	TIME STAMP1_4	TIME STAMP1_3	TIME STAMP1_2	TIME STAMP1_1	TIME STAMP1_0
---------------	---------------	---------------	---------------	---------------	---------------	---------------	---------------

**Table 155. TIMESTAMP1\_REG register description**

TIMESTAMP1_[7:0]	TIMESTAMP second byte data output
------------------	-----------------------------------

### 10.61 **TIMESTAMP2\_REG (42h)**

Timestamp third (most significant) byte data output register (R/W). The value is expressed as a 24-bit word and the bit resolution is defined by setting the value in [WAKE\\_UP\\_DUR \(5Ch\)](#). To reset the timer, the AAh value has to be stored in this register.

**Table 156. TIMESTAMP2\_REG register**

TIME STAMP2_7	TIME STAMP2_6	TIME STAMP2_5	TIME STAMP2_4	TIME STAMP2_3	TIME STAMP2_2	TIME STAMP2_1	TIME STAMP2_0
---------------	---------------	---------------	---------------	---------------	---------------	---------------	---------------

**Table 157. TIMESTAMP2\_REG register description**

TIMESTAMP2_[7:0]	TIMESTAMP third byte data output
------------------	----------------------------------

### 10.62 SENSORHUB13\_REG (4Dh)

Thirteenth byte associated to external sensors. The content of the register is consistent with the SLVx\_CONFIG number of read operation configurations (for external sensors from x = 0 to x = 3).

**Table 158. SENSORHUB13\_REG register**

SHub13_7	SHub13_6	SHub13_5	SHub13_4	SHub13_3	SHub13_2	SHub13_1	SHub13_0
----------	----------	----------	----------	----------	----------	----------	----------

**Table 159. SENSORHUB13\_REG register description**

SHub13_[7:0]	Thirteenth byte associated to external sensors
--------------	--

### 10.63 SENSORHUB14\_REG (4Eh)

Fourteenth byte associated to external sensors. The content of the register is consistent with the SLVx\_CONFIG number of read operation configurations (for external sensors from x = 0 to x = 3).

**Table 160. SENSORHUB14\_REG register**

SHub14_7	SHub14_6	SHub14_5	SHub14_4	SHub14_3	SHub14_2	SHub14_1	SHub14_0
----------	----------	----------	----------	----------	----------	----------	----------

**Table 161. SENSORHUB14\_REG register description**

SHub14_[7:0]	Fourteenth byte associated to external sensors
--------------	--

### 10.64 SENSORHUB15\_REG (4Fh)

Fifteenth byte associated to external sensors. The content of the register is consistent with the SLVx\_CONFIG number of read operation configurations (for external sensors from x = 0 to x = 3).

**Table 162. SENSORHUB15\_REG register**

SHub15_7	SHub15_6	SHub15_5	SHub15_4	SHub15_3	SHub15_2	SHub15_1	SHub15_0
----------	----------	----------	----------	----------	----------	----------	----------

**Table 163. SENSORHUB15\_REG register description**

SHub15_[7:0]	Fifteenth byte associated to external sensors
--------------	---

### 10.65 SENSORHUB16\_REG (50h)

Sixteenth byte associated to external sensors. The content of the register is consistent with the SLVx\_CONFIG number of read operation configurations (for external sensors from x = 0 to x = 3).

**Table 164. SENSORHUB16\_REG register**

SHub16_7	SHub16_6	SHub16_5	SHub16_4	SHub16_3	SHub16_2	SHub16_1	SHub16_0
----------	----------	----------	----------	----------	----------	----------	----------

**Table 165. SENSORHUB16\_REG register description**

SHub16_[7:0]	Sixteenth byte associated to external sensors
--------------	---

### 10.66 SENSORHUB17\_REG (51h)

Seventeenth byte associated to external sensors. The content of the register is consistent with the SLVx\_CONFIG number of read operation configurations (for external sensors from x = 0 to x = 3).

**Table 166. SENSORHUB17\_REG register**

SHub17_7	SHub17_6	SHub17_5	SHub17_4	SHub17_3	SHub17_2	SHub17_1	SHub17_0
----------	----------	----------	----------	----------	----------	----------	----------

**Table 167. SENSORHUB17\_REG register description**

SHub17_[7:0]	Seventeenth byte associated to external sensors
--------------	---

### 10.67 SENSORHUB18\_REG (52h)

Eighteenth byte associated to external sensors. The content of the register is consistent with the SLVx\_CONFIG number of read operation configurations (for external sensors from x = 0 to x = 3).

**Table 168. SENSORHUB18\_REG register**

SHub18_7	SHub18_6	SHub18_5	SHub18_4	SHub18_3	SHub18_2	SHub18_1	SHub18_0
----------	----------	----------	----------	----------	----------	----------	----------

**Table 169. SENSORHUB18\_REG register description**

SHub18_[7:0]	Eighteenth byte associated to external sensors
--------------	--



## 10.68 FUNC\_SRC1 (53h)

Tilt, hard/soft-iron and sensor hub interrupt source register (R)

**Table 170. FUNC\_SRC1 register**

0	0	TILT_IA	0	0	HI_FAIL	SI_END_OP	SENSOR HUB_END_OP
---	---	---------	---	---	---------	-----------	-------------------

**Table 171. FUNC\_SRC1 register description**

TILT_IA	Tilt event detection status. Default value: 0 (0: tilt event not detected; 1: tilt event detected)
HI_FAIL	Fail in hard/soft-ironing algorithm.
SI_END_OP	Hard/soft-iron calculation status. Default value: 0 (0: hard/soft-iron calculation not concluded; 1: hard/soft-iron calculation concluded)
SENSORHUB_END_OP	Sensor hub communication status. Default value: 0 (0: sensor hub communication not concluded; 1: sensor hub communication concluded)

## 10.69 FUNC\_SRC2 (54h)

Slave communication register (R)

**Table 172. FUNC\_SRC2 register**

0	SLAVE3_NACK	SLAVE2_NACK	SLAVE1_NACK	SLAVE0_NACK	0	0	0
---	-------------	-------------	-------------	-------------	---	---	---

**Table 173. FUNC\_SRC2 register description**

SLAVE3_NACK	This bit is set to 1 if not acknowledge occurs on slave 3 communication. Default value: 0
SLAVE2_NACK	This bit is set to 1 if not acknowledge occurs on slave 2 communication. Default value: 0
SLAVE1_NACK	This bit is set to 1 if not acknowledge occurs on slave 1 communication. Default value: 0
SLAVE0_NACK	This bit is set to 1 if not acknowledge occurs on slave 0 communication. Default value: 0

## 10.70 TAP\_CFG (58h)

Enables interrupt and inactivity functions, configuration of filtering, and tap recognition functions (R/W)

**Table 174. TAP\_CFG register**

INTERRUPTS_ENABLE	INACT_EN1	INACT_EN0	SLOPE_FDS	TAP_X_EN	TAP_Y_EN	TAP_Z_EN	LIR
-------------------	-----------	-----------	-----------	----------	----------	----------	-----

**Table 175. TAP\_CFG register description**

INTERRUPTS_ENABLE	Enables basic interrupts (6D/4D, free-fall, wake-up, tap, inactivity). Default value: 0 (0: interrupt disabled; 1: interrupt enabled)
INACT_EN[1:0]	Enables inactivity function. Default value: 00 (00: disabled; 01: sets accelerometer ODR to 12.5 Hz (low-power mode), gyroscope does not change; 10: sets accelerometer ODR to 12.5 Hz (low-power mode), gyroscope to sleep mode; 11: sets accelerometer ODR to 12.5 Hz (low-power mode), gyroscope to power-down mode)
SLOPE_FDS	HPF or SLOPE filter selection on wake-up and activity/inactivity functions. Refer to <a href="#">Figure 9. Accelerometer composite filter (for modes 1/2 and mode 3*)</a> . Default value: 0 0: SLOPE filter applied; 1: HPF applied)
TAP_X_EN	Enables X direction in tap recognition. Default value: 0 (0: X direction disabled; 1: X direction enabled)
TAP_Y_EN	Enables Y direction in tap recognition. Default value: 0 (0: Y direction disabled; 1: Y direction enabled)
TAP_Z_EN	Enables Z direction in tap recognition. Default value: 0 (0: Z direction disabled; 1: Z direction enabled)
LIR	Latched interrupt. Default value: 0 (0: interrupt request not latched; 1: interrupt request latched)

## 10.71 TAP\_THS\_6D (59h)

Portrait/landscape position and tap function threshold register (R/W)

**Table 176. TAP\_THS\_6D register**

D4D_EN	SIXD_THS1	SIXD_THS0	TAP_THS4	TAP_THS3	TAP_THS2	TAP_THS1	TAP_THS0
--------	-----------	-----------	----------	----------	----------	----------	----------

**Table 177. TAP\_THS\_6D register description**

D4D_EN	4D orientation detection enable. Z-axis position detection is disabled. Default value: 0 (0: enabled; 1: disabled)
SIXD_THS[1:0]	Threshold for 4D/6D function. Default value: 00 For details, refer to <a href="#">Table 178. Threshold for D4D/D6D function</a> .
TAP_THS[4:0]	Threshold for tap recognition. Default value: 00000 1 LSB corresponds to $FS_{XL}/2^5$

**Table 178. Threshold for D4D/D6D function**

SIXD_THS[1:0]	Threshold value
00	80 degrees
01	70 degrees
10	60 degrees
11	50 degrees

## 10.72 INT\_DUR2 (5Ah)

Tap recognition function setting register (R/W)

**Table 179. INT\_DUR2 register**

DUR3	DUR2	DUR1	DUR0	QUIET1	QUIET0	SHOCK1	SHOCK0
------	------	------	------	--------	--------	--------	--------

**Table 180. INT\_DUR2 register description**

DUR[3:0]	Duration of maximum time gap for double tap recognition. Default: 0000 When double tap recognition is enabled, this register expresses the maximum time between two consecutive detected taps to determine a double tap event. The default value of these bits is 0000 which corresponds to 16/ODR_XL time. If the DUR[3:0] bits are set to a different value, 1LSB corresponds to 32/ODR_XL time.
QUIET[1:0]	Expected quiet time after a tap detection. Default value: 00 Quiet time is the time after the first detected tap in which there must not be any overthreshold event. The default value of these bits is 00 which corresponds to 2/ODR_XL time. If the QUIET[1:0] bits are set to a different value, 1LSB corresponds to 4/ODR_XL time.
SHOCK[1:0]	Maximum duration of overthreshold event. Default value: 00 Maximum duration is the maximum time of an overthreshold signal detection to be recognized as a tap event. The default value of these bits is 00 which corresponds to 4/ODR_XL time. If the SHOCK[1:0] bits are set to a different value, 1LSB corresponds to 8/ODR_XL time.

## 10.73 WAKE\_UP\_THS (5Bh)

Single and double-tap function threshold register (R/W)

**Table 181. WAKE\_UP\_THS register**

SINGLE_DOUBLE_TAP	0	WK_THS5	WK_THS4	WK_THS3	WK_THS2	WK_THS1	WK_THS0
-------------------	---	---------	---------	---------	---------	---------	---------

**Table 182. WAKE\_UP\_THS register description**

SINGLE_DOUBLE_TAP	Single/double-tap event enable. Default: 0 (0: only single-tap event enabled; 1: both single and double-tap events enabled)
WK_THS[5:0]	Threshold for wakeup. Default value: 000000 1 LSb corresponds to $FS\_XL/2^6$

## 10.74 WAKE\_UP\_DUR (5Ch)

Free-fall, wakeup, timestamp and sleep mode functions duration setting register (R/W)

**Table 183. WAKE\_UP\_DUR register**

FF_DUR5	WAKE_DUR1	WAKE_DUR0	TIMER_HR	SLEEP_DUR3	SLEEP_DUR2	SLEEP_DUR1	SLEEP_DUR0
---------	-----------	-----------	----------	------------	------------	------------	------------

**Table 184. WAKE\_UP\_DUR register description**

FF_DUR5	Free fall duration event. Default: 0 For the complete configuration of the free-fall duration, refer to FF_DUR[4:0] in <a href="#">FREE_FALL (5Dh)</a> configuration. 1 LSB = 1 ODR_time
WAKE_DUR[1:0]	Wake up duration event. Default: 00 1LSB = 1 ODR_time
TIMER_HR	Timestamp register resolution setting <sup>(1)</sup> . Default value: 0 (0: 1LSB = 6.4 ms; 1: 1LSB = 25 μs)
SLEEP_DUR[3:0]	Duration to go in sleep mode. Default value: 0000 (this corresponds to 16 ODR) 1 LSB = 512 ODR

1. Configuration of this bit affects the [TIMESTAMP0\\_REG \(40h\)](#), [TIMESTAMP1\\_REG \(41h\)](#), and [TIMESTAMP2\\_REG \(42h\)](#) registers.

## 10.75 FREE\_FALL (5Dh)

Free-fall function duration setting register (R/W)

**Table 185. FREE\_FALL register**

FF_DUR4	FF_DUR3	FF_DUR2	FF_DUR1	FF_DUR0	FF_THS2	FF_THS1	FF_THS0
---------	---------	---------	---------	---------	---------	---------	---------

**Table 186. FREE\_FALL register description**

FF_DUR[4:0]	Free-fall duration event. Default: 0 For the complete configuration of the free-fall duration, refer to FF_DUR5 in <a href="#">WAKE_UP_DUR (5Ch)</a> configuration.
FF_THS[2:0]	Free-fall threshold setting. Default: 000 For details refer to <a href="#">Table 187</a> .

**Table 187. Threshold for free-fall function**

FF_THS[2:0]	Threshold value
000	156 mg
001	219 mg
010	250 mg
011	312 mg
100	344 mg
101	406 mg
110	469 mg
111	500 mg

## 10.76 MD1\_CFG (5Eh)

Routing functions to INT1 register (R/W)

**Table 188. MD1\_CFG register**

INT1_INACT_STATE	INT1_SINGLE_TAP	INT1_WU	INT1_FF	INT1_DOUBLE_TAP	INT1_6D	INT1_TILT	INT1_TIMER
------------------	-----------------	---------	---------	-----------------	---------	-----------	------------

**Table 189. MD1\_CFG register description**

INT1_INACT_STATE	Routing inactivity state to INT1. Default: 0 (0: routing inactivity to INT1 disabled; 1: routing inactivity to INT1 enabled)
INT1_SINGLE_TAP	Routing single-tap recognition to INT1. Default: 0 (0: routing single-tap event to INT1 disabled; 1: routing single-tap event to INT1 enabled)
INT1_WU	Routing wake-up event to INT1. Default value: 0 (0: routing wake-up event to INT1 disabled; 1: routing wake-up event to INT1 enabled)
INT1_FF	Routing free-fall event to INT1. Default value: 0 (0: routing free-fall event to INT1 disabled; 1: routing free-fall event to INT1 enabled)
INT1_DOUBLE_TAP	Routing tap event to INT1. Default value: 0 (0: routing double-tap event to INT1 disabled; 1: routing double-tap event to INT1 enabled)
INT1_6D	Routing 6D event to INT1. Default value: 0 (0: routing 6D event to INT1 disabled; 1: routing 6D event to INT1 enabled)
INT1_TILT	Routing tilt event to INT1. Default value: 0 (0: routing tilt event to INT1 disabled; 1: routing tilt event to INT1 enabled)
INT1_TIMER	Routing end counter event of timer to INT1. Default value: 0 (0: routing end counter event of timer to INT1 disabled; 1: routing end counter event of timer to INT1 enabled)

## 10.77 MD2\_CFG (5Fh)

Routing functions to INT2 register (R/W)

**Table 190. MD2\_CFG register**

INT2_INACT_STATE	INT2_SINGLE_TAP	INT2_WU	INT2_FF	INT2_DOUBLE_TAP	INT2_6D	INT2_TILT	INT2_IRON
------------------	-----------------	---------	---------	-----------------	---------	-----------	-----------

**Table 191. MD2\_CFG register description**

INT2_INACT_STATE	Routing inactivity state to INT2. Default: 0 (0: routing inactivity to INT2 disabled; 1: routing inactivity to INT2 enabled)
INT2_SINGLE_TAP	Routing single-tap recognition to INT2. Default: 0 (0: routing single-tap event to INT2 disabled; 1: routing single-tap event to INT2 enabled)
INT2_WU	Routing wake-up event to INT2. Default value: 0 (0: routing wake-up event to INT2 disabled; 1: routing wake-up event to INT2 enabled)
INT2_FF	Routing free-fall event to INT2. Default value: 0 (0: routing free-fall event to INT2 disabled; 1: routing free-fall event to INT2 enabled)
INT2_DOUBLE_TAP	Routing tap event to INT2. Default value: 0 (0: routing double-tap event to INT2 disabled; 1: routing double-tap event to INT2 enabled)
INT2_6D	Routing 6D event to INT2. Default value: 0 (0: routing 6D event to INT2 disabled; 1: routing 6D event to INT2 enabled)
INT2_TILT	Routing tilt event to INT2. Default value: 0 (0: routing tilt event to INT2 disabled; 1: routing tilt event to INT2 enabled)
INT2_IRON	Routing soft-iron/hard-iron algorithm end event to INT2. Default value: 0 (0: routing soft-iron/hard-iron algorithm end event to INT2 disabled; 1: routing soft-iron/hard-iron algorithm end event to INT2 enabled)

## 10.78 MASTER\_CMD\_CODE (60h)

**Table 192. MASTER\_CMD\_CODE register**

MASTER_CMD_CODE7	MASTER_CMD_CODE6	MASTER_CMD_CODE5	MASTER_CMD_CODE4	MASTER_CMD_CODE3	MASTER_CMD_CODE2	MASTER_CMD_CODE1	MASTER_CMD_CODE0
------------------	------------------	------------------	------------------	------------------	------------------	------------------	------------------

**Table 193. MASTER\_CMD\_CODE register description**

MASTER_CMD_CODE[7:0]	Master command code used for stamping for sensor sync. Default value: 0
----------------------	---

## 10.79 SENS\_SYNC\_SPI\_ERROR\_CODE (61h)

**Table 194. SENS\_SYNC\_SPI\_ERROR\_CODE register**

ERROR_CODE7	ERROR_CODE6	ERROR_CODE5	ERROR_CODE4	ERROR_CODE3	ERROR_CODE2	ERROR_CODE1	ERROR_CODE0
-------------	-------------	-------------	-------------	-------------	-------------	-------------	-------------

**Table 195. SENS\_SYNC\_SPI\_ERROR\_CODE register description**

ERROR_CODE[7:0]	Error code used for sensor synchronization. Default value: 0
-----------------	--

## 10.80 OUT\_MAG\_RAW\_X\_L (66h)

External magnetometer raw data (R)

**Table 196. OUT\_MAG\_RAW\_X\_L register**

D7	D6	D5	D4	D3	D2	D1	D0
----	----	----	----	----	----	----	----

**Table 197. OUT\_MAG\_RAW\_X\_L register description**

D[7:0]	X-axis external magnetometer value (LSbyte)
--------	---

## 10.81 OUT\_MAG\_RAW\_X\_H (67h)

External magnetometer raw data (R)

**Table 198. OUT\_MAG\_RAW\_X\_H register**

D15	D14	D13	D12	D11	D10	D9	D8
-----	-----	-----	-----	-----	-----	----	----

**Table 199. OUT\_MAG\_RAW\_X\_H register description**

D[15:8]	X-axis external magnetometer value (MSbyte)
---------	---

## 10.82 OUT\_MAG\_RAW\_Y\_L (68h)

External magnetometer raw data (R)

**Table 200. OUT\_MAG\_RAW\_Y\_L register**

D7	D6	D5	D4	D3	D2	D1	D0
----	----	----	----	----	----	----	----

**Table 201. OUT\_MAG\_RAW\_Y\_L register description**

D[7:0]	Y-axis external magnetometer value (LSbyte)
--------	---

### 10.83 OUT\_MAG\_RAW\_Y\_H (69h)

External magnetometer raw data (R)

Table 202. OUT\_MAG\_RAW\_Y\_H register

D15	D14	D13	D12	D11	D10	D9	D8
-----	-----	-----	-----	-----	-----	----	----

Table 203. OUT\_MAG\_RAW\_Y\_H register description

D[15:8]	Y-axis external magnetometer value (MSbyte)
---------	---

### 10.84 OUT\_MAG\_RAW\_Z\_L (6Ah)

External magnetometer raw data (R)

Table 204. OUT\_MAG\_RAW\_Z\_L register

D7	D6	D5	D4	D3	D2	D1	D0
----	----	----	----	----	----	----	----

Table 205. OUT\_MAG\_RAW\_Z\_L register description

D[7:0]	Z-axis external magnetometer value (LSbyte)
--------	---

### 10.85 OUT\_MAG\_RAW\_Z\_H (6Bh)

External magnetometer raw data (R)

Table 206. OUT\_MAG\_RAW\_Z\_H register

D15	D14	D13	D12	D11	D10	D9	D8
-----	-----	-----	-----	-----	-----	----	----

Table 207. OUT\_MAG\_RAW\_Z\_H register description

D[15:8]	Z-axis external magnetometer value (MSbyte)
---------	---

### 10.86 INT\_OIS (6Fh)

OIS interrupt configuration register. Primary interface for read-only (R); only the auxiliary SPI can write to this register (R/W).

Table 208. INT\_OIS register

INT2_DRDY_OIS	LVL2_OIS	-	-	-	-	-	-
---------------	----------	---	---	---	---	---	---

Table 209. INT\_OIS register description

INT2_DRDY_OIS	Enables the OIS chain DRDY on the INT2 pad. This setting has priority over all other INT2 settings.
LVL2_OIS	Enables level-sensitive latched mode on the OIS chain. Default value: 0



## 10.87 CTRL1\_OIS (70h)

OIS configuration register. Primary interface for read-only (R); only the auxiliary SPI can write to this register (R/W).

**Table 210. CTRL1\_OIS register**

BLE_OIS	LVL1_OIS	SIM_OIS	MODE4_EN	FS1_G_OIS	FS0_G_OIS	FS_125_OIS	OIS_EN_SPI2
---------	----------	---------	----------	-----------	-----------	------------	-------------

**Table 211. CTRL1\_OIS register description**

BLE_OIS	Big/little endian data selection. Default value: 0 (0: output LSbyte at lower register address; 1: output LSbyte at higher register address)
LVL1_OIS	Enables level-sensitive trigger mode on OIS chain. Default value: 0
SIM_OIS	SPI2 3- or 4-wire mode. Default value: 0 (0: 4-wire SPI2; 1: 3-wire SPI2)
MODE4_EN	Enables accelerometer OIS chain if OIS_EN_SPI2 = 1. Default value: 0 (0: disable; 1: enable)
FS[1:0]_G_OIS	Gyroscope OIS chain full-scale selection. (00: ±250 dps; 01: ±500 dps; 10: ±1000 dps; 11: ±2000 dps)
FS_125_OIS	Selects gyroscope OIS chain full scale ±125 dps (0: FS selected through bits FS[1:0]_G_OIS; 1 = ±125 dps)
OIS_EN_SPI2	Enables OIS chain data processing for gyroscope in mode 3 and mode 4 (mode4_en = 1) and accelerometer data in and mode 4 (mode4_en = 1). When the OIS chain is enabled, the OIS outputs are available through the SPI2 in registers <a href="#">OUTX_L_G (22h)</a> through <a href="#">OUTZ_H_G (27h)</a> and <a href="#">STATUS_REG/STATUS_SPIAux (1Eh)</a> , and LPF1 is dedicated to this chain.

DEN mode selection can be done using the LVL1\_OIS bit of register [CTRL1\\_OIS \(70h\)](#) and the LVL2\_OIS bit of register [INT\\_OIS \(6Fh\)](#).

DEN mode on the OIS path is active in the gyroscope only.

**Table 212. DEN mode selection**

LVL1_OIS, LVL2_OIS	DEN mode
10	Level-sensitive trigger mode is selected
11	Level-sensitive latched mode is selected

## 10.88 CTRL2\_OIS (71h)

OIS configuration register. Primary interface for read-only (R); only the auxiliary SPI can write to this register (R/W).

**Table 213. CTRL2\_OIS register**

0 <sup>(1)</sup>	0 <sup>(1)</sup>	HPM1_OIS	HPM0_OIS	0 <sup>(1)</sup>	FTYPE_1_OIS	FTYPE_0_OIS	HP_EN_OIS
------------------	------------------	----------	----------	------------------	-------------	-------------	-----------

1. This bit must be set to 0 for the correct operation of the device.

**Table 214. CTRL2\_OIS register description**

HPM[1:0]_OIS	Gyroscope OIS chain digital high-pass filter cutoff selection. Default value: 00 (00: 16 mHz; 01: 65 mHz; 10: 260 mHz; 11: 1.04 Hz)
FTYPE_[1:0]_OIS	Gyroscope digital LPF1 filter bandwidth selection Table 215 shows cutoff and phase values obtained with all configurations
HP_EN_OIS	Enables gyroscope OIS chain HPF. This filter is available on the OIS chain only if HP_EN_G in CTRL7_G (16h) is set to 0. <sup>(1)</sup>

1. HP\_EN\_OIS is active to select the HPF on the auxiliary SPI chain only if the HPF is not already used in the primary interface.

**Table 215. Gyroscope OIS chain LPF1 bandwidth selection**

FTYPE_[1:0]_OIS	ODR = 6.6 kHz	
	BW	Phase delay @ 20 Hz
00	351 Hz	7°
01	237 Hz	9°
10	173 Hz	11°
11	937 Hz	5°

Sampling data with frequency equal or higher to 3.3 kHz is recommended.

If data is down-sampled @ 1 kHz, it is recommended to use a cutoff @ 173 Hz.

If data is down-sampled @ 2 kHz, it is recommended to use a cutoff @ 237 Hz.

## 10.89 CTRL3\_OIS (72h)

OIS configuration register. Primary interface for read-only (R); only the auxiliary SPI can write to this register (R/W).

**Table 216. CTRL3\_OIS register**

DEN_LH_OIS	FS1_XL_OIS	FS0_XL_OIS	FILTER_XL_CONF_OIS_1	FILTER_XL_CONF_OIS_0	ST1_OIS	ST0_OIS	ST_OIS_CLAMPDIS
------------	------------	------------	----------------------	----------------------	---------	---------	-----------------

**Table 217. CTRL3\_OIS register description**

DEN_LH_OIS	Polarity of DEN signal on OIS chain (0: DEN pin is active-low; 1: DEN pin is active-high)
FS[1:0]_XL_OIS	Accelerometer OIS channel full-scale selection. Default value: 00 (00: $\pm 2 g$ ; 01: $\pm 16 g$ ; 10: $\pm 4 g$ ; 11: $\pm 8 g$ )  These two bits act only when the accelerometer GP chain is in power-down, otherwise the accelerometer FS value is selected only from the GP side (but it is readable also from the OIS side).
FILTER_XL_CONF_OIS[1:0]	Accelerometer OIS channel bandwidth selection (see Table 215)
ST[1:0]_OIS	Gyroscope OIS chain self-test selection Table 219 lists the output variation when the self-test is enabled and ST_OIS_CLAMPDIS = 1. Default value: 00 (00: normal mode; 01: positive sign self-test; 10: normal mode; 11: negative sign self-test)
ST_OIS_CLAMPDIS	Disables gyroscope OIS chain clamp (0: all gyroscope OIS chain outputs = 8000h during self-test applied from primary interface; 1: OIS chain self-test outputs as shown in Table 219. Self-test nominal output variation if self-test applied from primary or auxiliary interfaces)

**Table 218. Accelerometer OIS channel bandwidth selection**

FILTER_XL_CONF_OIS [1:0]	ODR_GP = 0 ODR GP $\geq 1600$ Hz		ODR GP $\leq 800$ Hz	
	BW	Phase delay <sup>(1)</sup>	BW	Phase delay <sup>(1)</sup>
00	140 Hz	9.39°	128 Hz	11.5°
01	68.2 Hz	17.6°	66.5 Hz	19.7°
10	636 Hz	2.96°	329 Hz	5.08°
11	295 Hz	5.12°	222 Hz	7.23°

1. Phase delay @ 20 Hz

**Table 219. Self-test nominal output variation**

Full scale	Output variation [dps]
±2000	400
±1000	200
±500	100
±250	50
±125	25

## 10.90 X\_OFS\_USR (73h)

Accelerometer X-axis user offset correction (R/W). The offset value set in the X\_OFS\_USR offset register is internally added to the acceleration value measured on the X-axis.

**Table 220. X\_OFS\_USR register**

X_OFS_USR_7	X_OFS_USR_6	X_OFS_USR_5	X_OFS_USR_4	X_OFS_USR_3	X_OFS_USR_2	X_OFS_USR_1	X_OFS_USR_0
-------------	-------------	-------------	-------------	-------------	-------------	-------------	-------------

**Table 221. X\_OFS\_USR register description**

X_OFS_USR_[7:0]	Accelerometer X-axis user offset correction expressed in two's complement, weight depends on the CTRL6_C(4) bit. The value must be in the range [-127 127].
-----------------	---

## 10.91 Y\_OFS\_USR (74h)

Accelerometer Y-axis user offset correction (R/W). The offset value set in the Y\_OFS\_USR offset register is internally added to the acceleration value measured on the Y-axis.

**Table 222. Y\_OFS\_USR register**

Y_OFS_USR_7	Y_OFS_USR_6	Y_OFS_USR_5	Y_OFS_USR_4	Y_OFS_USR_3	Y_OFS_USR_2	Y_OFS_USR_1	Y_OFS_USR_0
-------------	-------------	-------------	-------------	-------------	-------------	-------------	-------------

**Table 223. Y\_OFS\_USR register description**

Y_OFS_USR_[7:0]	Accelerometer Y-axis user offset correction expressed in two's complement, weight depends on the CTRL6_C(4) bit. The value must be in the range [-127 127].
-----------------	---

## 10.92 Z\_OFS\_USR (75h)

Accelerometer Z-axis user offset correction (R/W). The offset value set in the Z\_OFS\_USR offset register is internally subtracted from the acceleration value measured on the Z-axis.

**Table 224. Z\_OFS\_USR register**

Z_OFS_USR_7	Z_OFS_USR_6	Z_OFS_USR_5	Z_OFS_USR_4	Z_OFS_USR_3	Z_OFS_USR_2	Z_OFS_USR_1	Z_OFS_USR_0
-------------	-------------	-------------	-------------	-------------	-------------	-------------	-------------

**Table 225. Z\_OFS\_USR register description**

Z_OFS_USR_[7:0]	Accelerometer Z-axis user offset correction expressed in two's complement, weight depends on the CTRL6_C(4) bit. The value must be in the range [-127 127].
-----------------	---

## 11 Embedded functions register mapping

The tables given below provide a list of registers related to the embedded functions available in the device and the corresponding addresses.

The embedded functions registers are accessible when FUNC\_CFG\_EN is set to 1 in FUNC\_CFG\_ACCESS (01h).

*Note:* All modifications of the content of the embedded functions registers have to be performed with the device in power-down mode.

**Table 226. Register address map embedded functions**

Name	Type	Register address		Default	Comment
		Hex	Binary		
SLV0_ADD	R/W	02	0000010	00000000	
SLV0_SUBADD	R/W	03	0000011	00000000	
SLV0_CONFIG	R/W	04	0000100	00000000	
SLV1_ADD	R/W	05	0000101	00000000	
SLV1_SUBADD	R/W	06	0000110	00000000	
SLV1_CONFIG	R/W	07	0000111	00000000	
SLV2_ADD	R/W	08	0001000	00000000	
SLV2_SUBADD	R/W	09	0001001	00000000	
SLV2_CONFIG	R/W	0A	0001010	00000000	
SLV3_ADD	R/W	0B	0001011	00000000	
SLV3_SUBADD	R/W	0C	0001100	00000000	
SLV3_CONFIG	R/W	0D	0001101	00000000	
DATAWRITE_SRC_MODE_SUB_SLV0	R/W	0E	0001110	00000000	
RESERVED	-	0F-15		-	Reserved
MAG_SI_XX	R/W	24	00100100	00001000	
MAG_SI_XY	R/W	25	00100101	00000000	
MAG_SI_XZ	R/W	26	00100110	00000000	
MAG_SI_YX	R/W	27	00100111	00000000	
MAG_SI_YY	R/W	28	00101000	00001000	
MAG_SI_YZ	R/W	29	00101001	00000000	
MAG_SI_ZX	R/W	2A	00101010	00000000	
MAG_SI_ZY	R/W	2B	00101011	00000000	
MAG_SI_ZZ	R/W	2C	00101100	00001000	
MAG_OFFX_L	R/W	2D	00101101	00000000	
MAG_OFFX_H	R/W	2E	00101110	00000000	
MAG_OFFY_L	R/W	2F	00101111	00000000	
MAG_OFFY_H	R/W	30	00110000	00000000	
MAG_OFFZ_L	R/W	31	00110001	00000000	
MAG_OFFZ_H	R/W	32	00110010	00000000	

Reserved registers must not be changed. Writing to those registers may cause permanent damage to the device. The content of the registers that are loaded at boot should not be changed. They contain the factory calibration values. Their content is automatically restored when the device is powered up.

## 12 Embedded functions registers description

*Note:* All modifications of the content of the embedded functions registers have to be performed with the device in power-down mode.

### 12.1 SLV0\_ADD (02h)

I<sup>2</sup>C slave address of the first external sensor (sensor 1) register (R/W)

**Table 227. SLV0\_ADD register**

Slave0_add6	Slave0_add5	Slave0_add4	Slave0_add3	Slave0_add2	Slave0_add1	Slave0_add0	rw_0
-------------	-------------	-------------	-------------	-------------	-------------	-------------	------

**Table 228. SLV0\_ADD register description**

Slave0_add[6:0]	I <sup>2</sup> C slave address of sensor 1 that can be read by sensor hub. Default value: 0000000
rw_0	Read/write operation on sensor 1. Default value: 0 (0: write operation; 1: read operation)

### 12.2 SLV0\_SUBADD (03h)

Address of register on the first external sensor (sensor 1) register (R/W)

**Table 229. SLV0\_SUBADD register**

Slave0_reg7	Slave0_reg6	Slave0_reg5	Slave0_reg4	Slave0_reg3	Slave0_reg2	Slave0_reg1	Slave0_reg0
-------------	-------------	-------------	-------------	-------------	-------------	-------------	-------------

**Table 230. SLV0\_SUBADD register description**

Slave0_reg[7:0]	Address of register on sensor 1 that has to be read/write according to the rw_0 bit value in SLV0_ADD (02h). Default value: 00000000
-----------------	---

### 12.3 SLV0\_CONFIG (04h)

First external sensor (sensor 1) configuration and sensor hub settings register (R/W)

**Table 231. SLV0\_CONFIG register**

Slave0_rate1	Slave0_rate0	Aux_sens_on1	Aux_sens_on0	Src_mode	Slave0_numop2	Slave0_numop1	Slave0_numop0
--------------	--------------	--------------	--------------	----------	---------------	---------------	---------------

**Table 232. SLV0\_CONFIG register description**

Slave0_rate[1:0]	Decimation of read operation on sensor 1 starting from the sensor hub trigger. Default value: 00 (00: no decimation; 01: update every 2 samples; 10: update every 4 samples; 11: update every 8 samples.)
Aux_sens_on[1:0]	Number of external sensors to be read by sensor hub. Default value: 00 (00: one sensor; 01: two sensors; 10: three sensors; 11: four sensors.)
Src_mode	Source mode conditioned read. Default value: 0 <sup>(1)</sup> (0: source mode read disabled; 1: source mode read enabled)
Slave0_numop[2:0]	Number of read operations on sensor 1.

1. Read conditioned by the content of the register at address specified in the *DATAWRITE\_SRC\_MODE\_SUB\_SLV0 (0Eh)* register. If the content is non-zero, the operation continues with the reading of the address specified in the *SLV0\_SUBADD (03h)* register, else the operation is interrupted.

### 12.4 SLV1\_ADD (05h)

I<sup>2</sup>C slave address of the second external sensor (sensor 2) register (R/W)

**Table 233. SLV1\_ADD register**

Slave1_add6	Slave1_add5	Slave1_add4	Slave1_add3	Slave1_add2	Slave1_add1	Slave1_add0	r_1
-------------	-------------	-------------	-------------	-------------	-------------	-------------	-----

**Table 234. SLV1\_ADD register description**

Slave1_add[6:0]	I <sup>2</sup> C slave address of sensor 2 that can be read by sensor hub. Default value: 0000000
r_1	Enables read operation on sensor 2. Default value: 0 (0: read operation disabled; 1: read operation enabled)

## 12.5 SLV1\_SUBADD (06h)

Address of register on the second external sensor (sensor 2) register (R/W)

**Table 235. SLV1\_SUBADD register**

Slave1_reg7	Slave1_reg6	Slave1_reg5	Slave1_reg4	Slave1_reg3	Slave1_reg2	Slave1_reg1	Slave1_reg0
-------------	-------------	-------------	-------------	-------------	-------------	-------------	-------------

**Table 236. SLV1\_SUBADD register description**

Slave1_reg[7:0]	Address of register on sensor 2 that has to be read according to the r_1 bit value in <b>SLV1_ADD (05h)</b> . Default value: 00000000
-----------------	--

## 12.6 SLV1\_CONFIG (07h)

Second external sensor (sensor 2) configuration register (R/W)

**Table 237. SLV1\_CONFIG register**

Slave1_rate1	Slave1_rate0	write_once	0 <sup>(1)</sup>	0 <sup>(1)</sup>	Slave1_numop2	Slave1_numop1	Slave1_numop0
--------------	--------------	------------	------------------	------------------	---------------	---------------	---------------

1. This bit must be set to 0 for the correct operation of the device.

**Table 238. SLV1\_CONFIG register description**

Slave1_rate[1:0]	Decimation of read operation on sensor 2 starting from the sensor hub trigger. Default value: 00 (00: no decimation; 01: update every 2 samples; 10: update every 4 samples; 11: update every 8 samples.)
write_once	Slave 0 write operation is performed only at the first sensor hub cycle. <sup>(1)</sup> Default value: 0 (0: write operation for each sensor hub cycle; 1: write operation only for the first sensor hub cycle)
Slave1_numop[2:0]	Number of read operations on sensor 2.

1. This is active if the **Aux\_sens\_on[1:0]** field in **SLV0\_CONFIG (04h)** is set to a value other than 00.



## 12.7 SLV2\_ADD (08h)

I<sup>2</sup>C slave address of the third external sensor (sensor 3) register (R/W)

**Table 239. SLV2\_ADD register**

Slave2_add6	Slave2_add5	Slave2_add4	Slave2_add3	Slave2_add2	Slave2_add1	Slave2_add0	r_2
-------------	-------------	-------------	-------------	-------------	-------------	-------------	-----

**Table 240. SLV2\_ADD register description**

Slave2_add[6:0]	I <sup>2</sup> C slave address of sensor 3 that can be read by sensor hub. Default value: 0000000
r_2	Enables read operation on sensor 3. Default value: 0 (0: read operation disabled; 1: read operation enabled)

## 12.8 SLV2\_SUBADD (09h)

Address of register on the third external sensor (sensor 3) register (R/W)

**Table 241. SLV2\_SUBADD register**

Slave2_reg7	Slave2_reg6	Slave2_reg5	Slave2_reg4	Slave2_reg3	Slave2_reg2	Slave2_reg1	Slave2_reg0
-------------	-------------	-------------	-------------	-------------	-------------	-------------	-------------

**Table 242. SLV2\_SUBADD register description**

Slave2_reg[7:0]	Address of register on sensor 3 that has to be read according to the r_2 bit value in <b>SLV2_ADD (08h)</b> . Default value: 00000000
-----------------	--

## 12.9 SLV2\_CONFIG (0Ah)

Third external sensor (sensor 3) configuration register (R/W)

**Table 243. SLV2\_CONFIG register**

Slave2_rate1	Slave2_rate0	0 <sup>(1)</sup>	0 <sup>(1)</sup>	0 <sup>(1)</sup>	Slave2_numop2	Slave2_numop1	Slave2_numop0
--------------	--------------	------------------	------------------	------------------	---------------	---------------	---------------

1. This bit must be set to 0 for the correct operation of the device.

**Table 244. SLV2\_CONFIG register description**

Slave2_rate[1:0]	Decimation of read operation on sensor 3 starting from the sensor hub trigger. Default value: 00 (00: no decimation; 01: update every 2 samples; 10: update every 4 samples; 11: update every 8 samples.)
Slave2_numop[2:0]	Number of read operations on sensor 3.

## 12.10 SLV3\_ADD (0Bh)

I<sup>2</sup>C slave address of the fourth external sensor (sensor 4) register (R/W)

**Table 245. SLV3\_ADD register**

Slave3_add6	Slave3_add5	Slave3_add4	Slave3_add3	Slave3_add2	Slave3_add1	Slave3_add0	r_3
-------------	-------------	-------------	-------------	-------------	-------------	-------------	-----

**Table 246. SLV3\_ADD register description**

Slave3_add[6:0]	I <sup>2</sup> C slave address of sensor 4 that can be read by the sensor hub. Default value: 0000000
r_3	Enables read operation on sensor 4. Default value: 0 (0: read operation disabled; 1: read operation enabled)

## 12.11 SLV3\_SUBADD (0Ch)

Address of register on the fourth external sensor (sensor 4) register (R/W)

**Table 247. SLV3\_SUBADD register**

Slave3_reg7	Slave3_reg6	Slave3_reg5	Slave3_reg4	Slave3_reg3	Slave3_reg2	Slave3_reg1	Slave3_reg0
-------------	-------------	-------------	-------------	-------------	-------------	-------------	-------------

**Table 248. SLV3\_SUBADD register description**

Slave3_reg[7:0]	Address of register on sensor 4 that has to be read according to the r_3 bit value in SLV3_ADD (0Bh). Default value: 00000000
-----------------	--

## 12.12 SLV3\_CONFIG (0Dh)

Fourth external sensor (sensor 4) configuration register (R/W)

**Table 249. SLV3\_CONFIG register**

Slave3_rate1	Slave3_rate0	0 <sup>(1)</sup>	0 <sup>(1)</sup>	0 <sup>(1)</sup>	Slave3_numop2	Slave3_numop1	Slave3_numop0
--------------	--------------	------------------	------------------	------------------	---------------	---------------	---------------

1. This bit must be set to 0 for the correct operation of the device.

**Table 250. SLV3\_CONFIG register description**

Slave3_rate[1:0]	Decimation of read operation on Sensor4 starting from the sensor hub trigger. Default value: 00 (00: no decimation; 01: update every 2 samples; 10: update every 4 samples; 11: update every 8 samples.)
Slave3_numop[2:0]	Number of read operations on sensor 4.

### 12.13 DATAWRITE\_SRC\_MODE\_SUB\_SLV0 (0Eh)

Data to be written into the slave device register (R/W)

**Table 251. DATAWRITE\_SRC\_MODE\_SUB\_SLV0 register**

Slave_dataw7	Slave_dataw6	Slave_dataw5	Slave_dataw4	Slave_dataw3	Slave_dataw2	Slave_dataw1	Slave_dataw0
--------------	--------------	--------------	--------------	--------------	--------------	--------------	--------------

**Table 252. DATAWRITE\_SRC\_MODE\_SUB\_SLV0 register description**

Slave_dataw[7:0]	Data to be written into the slave device according to the rw_0 bit in <i>SLV0_ADD</i> (02h) register or address to be read in source mode. Default value: 00000000
------------------	--

### 12.14 MAG\_SI\_XX (24h)

Soft-iron matrix correction register (R/W)

**Table 253. MAG\_SI\_XX register**

MAG_SI_XX_7	MAG_SI_XX_6	MAG_SI_XX_5	MAG_SI_XX_4	MAG_SI_XX_3	MAG_SI_XX_2	MAG_SI_XX_1	MAG_SI_XX_0
-------------	-------------	-------------	-------------	-------------	-------------	-------------	-------------

**Table 254. MAG\_SI\_XX register description**

MAG_SI_XX_[7:0]	Soft-iron correction row1 col1 coefficient <sup>(1)</sup> . Default value: 00001000
-----------------	---

1. Value is expressed in sign-module format.

### 12.15 MAG\_SI\_XY (25h)

Soft-iron matrix correction register (R/W)

**Table 255. MAG\_SI\_XY register**

MAG_SI_XY_7	MAG_SI_XY_6	MAG_SI_XY_5	MAG_SI_XY_4	MAG_SI_XY_3	MAG_SI_XY_2	MAG_SI_XY_1	MAG_SI_XY_0
-------------	-------------	-------------	-------------	-------------	-------------	-------------	-------------

**Table 256. MAG\_SI\_XY register description**

MAG_SI_XY_[7:0]	Soft-iron correction row1 col2 coefficient <sup>(1)</sup> . Default value: 00000000
-----------------	---

1. Value is expressed in sign-module format.

### 12.16 MAG\_SI\_XZ (26h)

Soft-iron matrix correction register (R/W)

**Table 257. MAG\_SI\_XZ register**

MAG_SI_XZ_7	MAG_SI_XZ_6	MAG_SI_XZ_5	MAG_SI_XZ_4	MAG_SI_XZ_3	MAG_SI_XZ_2	MAG_SI_XZ_1	MAG_SI_XZ_0
-------------	-------------	-------------	-------------	-------------	-------------	-------------	-------------

**Table 258. MAG\_SI\_XZ register description**

MAG_SI_XZ_[7:0]	Soft-iron correction row1 col3 coefficient <sup>(1)</sup> . Default value: 00000000
-----------------	---

1. Value is expressed in sign-module format.

## 12.17 MAG\_SI\_YX (27h)

Soft-iron matrix correction register (R/W)

**Table 259. MAG\_SI\_YX register**

MAG_SI_YX_7	MAG_SI_YX_6	MAG_SI_YX_5	MAG_SI_YX_4	MAG_SI_YX_3	MAG_SI_YX_2	MAG_SI_YX_1	MAG_SI_YX_0
-------------	-------------	-------------	-------------	-------------	-------------	-------------	-------------

**Table 260. MAG\_SI\_YX register description**

MAG_SI_YX[7:0]	Soft-iron correction row2 col1 coefficient <sup>(1)</sup> . Default value: 00000000
----------------	---

1. Value is expressed in sign-module format.

## 12.18 MAG\_SI\_YY (28h)

Soft-iron matrix correction register (R/W)

**Table 261. MAG\_SI\_YY register**

MAG_SI_YY_7	MAG_SI_YY_6	MAG_SI_YY_5	MAG_SI_YY_4	MAG_SI_YY_3	MAG_SI_YY_2	MAG_SI_YY_1	MAG_SI_YY_0
-------------	-------------	-------------	-------------	-------------	-------------	-------------	-------------

**Table 262. MAG\_SI\_YY register description**

MAG_SI_YY[7:0]	Soft-iron correction row2 col2 coefficient <sup>(1)</sup> . Default value: 00001000
----------------	---

1. Value is expressed in sign-module format.

## 12.19 MAG\_SI\_YZ (29h)

Soft-iron matrix correction register (R/W)

**Table 263. MAG\_SI\_YZ register**

MAG_SI_YZ_7	MAG_SI_YZ_6	MAG_SI_YZ_5	MAG_SI_YZ_4	MAG_SI_YZ_3	MAG_SI_YZ_2	MAG_SI_YZ_1	MAG_SI_YZ_0
-------------	-------------	-------------	-------------	-------------	-------------	-------------	-------------

**Table 264. MAG\_SI\_YZ register description**

MAG_SI_YZ[7:0]	Soft-iron correction row2 col3 coefficient <sup>(1)</sup> . Default value: 00000000
----------------	---

1. Value is expressed in sign-module format.

## 12.20 MAG\_SI\_ZX (2Ah)

Soft-iron matrix correction register (R/W)

**Table 265. MAG\_SI\_ZX register**

MAG_SI_ZX_7	MAG_SI_ZX_6	MAG_SI_ZX_5	MAG_SI_ZX_4	MAG_SI_ZX_3	MAG_SI_ZX_2	MAG_SI_ZX_1	MAG_SI_ZX_0
-------------	-------------	-------------	-------------	-------------	-------------	-------------	-------------

**Table 266. MAG\_SI\_ZX register description**

MAG_SI_ZX[7:0]	Soft-iron correction row3 col1 coefficient <sup>(1)</sup> . Default value: 00000000
----------------	---

1. Value is expressed in sign-module format.

## 12.21 MAG\_SI\_ZY (2Bh)

Soft-iron matrix correction register (R/W)

**Table 267. MAG\_SI\_ZY register**

MAG_SI_ZY_7	MAG_SI_ZY_6	MAG_SI_ZY_5	MAG_SI_ZY_4	MAG_SI_ZY_3	MAG_SI_ZY_2	MAG_SI_ZY_1	MAG_SI_ZY_0
-------------	-------------	-------------	-------------	-------------	-------------	-------------	-------------

**Table 268. MAG\_SI\_ZY register description**

MAG_SI_ZY[7:0]	Soft-iron correction row3 col2 coefficient <sup>(1)</sup> . Default value: 00000000
----------------	---

1. Value is expressed in sign-module format.

## 12.22 MAG\_SI\_ZZ (2Ch)

Soft-iron matrix correction register (R/W)

**Table 269. MAG\_SI\_ZZ register**

MAG_SI_ZZ_7	MAG_SI_ZZ_6	MAG_SI_ZZ_5	MAG_SI_ZZ_4	MAG_SI_ZZ_3	MAG_SI_ZZ_2	MAG_SI_ZZ_1	MAG_SI_ZZ_0
-------------	-------------	-------------	-------------	-------------	-------------	-------------	-------------

**Table 270. MAG\_SI\_ZZ register description**

MAG_SI_ZZ[7:0]	Soft-iron correction row3 col3 coefficient <sup>(1)</sup> . Default value: 00001000
----------------	---

1. Value is expressed in sign-module format.

## 12.23 MAG\_OFFX\_L (2Dh)

Offset for X-axis hard-iron compensation register (R/W). The value is expressed as a 16-bit word in two's complement.

**Table 271. MAG\_OFFX\_L register**

MAG_OFFX_L_7	MAG_OFFX_L_6	MAG_OFFX_L_5	MAG_OFFX_L_4	MAG_OFFX_L_3	MAG_OFFX_L_2	MAG_OFFX_L_1	MAG_OFFX_L_0
--------------	--------------	--------------	--------------	--------------	--------------	--------------	--------------

**Table 272. MAG\_OFFX\_L register description**

MAG_OFFX_L[7:0]	Offset for X-axis hard-iron compensation. Default value: 00000000
-----------------	---

## 12.24 MAG\_OFFX\_H (2Eh)

Offset for X-axis hard-iron compensation register (R/W). The value is expressed as a 16-bit word in two's complement.

**Table 273. MAG\_OFFX\_H register**

MAG_OFFX_H_7	MAG_OFFX_H_6	MAG_OFFX_H_5	MAG_OFFX_H_4	MAG_OFFX_H_3	MAG_OFFX_H_2	MAG_OFFX_H_1	MAG_OFFX_H_0
--------------	--------------	--------------	--------------	--------------	--------------	--------------	--------------

**Table 274. MAG\_OFFX\_H register description**

MAG_OFFX_H[7:0]	Offset for X-axis hard-iron compensation. Default value: 00000000
-----------------	---

### 12.25 **MAG\_OFFY\_L (2Fh)**

Offset for Y-axis hard-iron compensation register (R/W). The value is expressed as a 16-bit word in two's complement.

**Table 275. MAG\_OFFY\_L register**

MAG_OFFY_L_7	MAG_OFFY_L_6	MAG_OFFY_L_5	MAG_OFFY_L_4	MAG_OFFY_L_3	MAG_OFFY_L_2	MAG_OFFY_L_1	MAG_OFFY_L_0
--------------	--------------	--------------	--------------	--------------	--------------	--------------	--------------

**Table 276. MAG\_OFFY\_L register description**

MAG_OFFY_L[7:0]	Offset for Y-axis hard-iron compensation. Default value: 00000000
-----------------	---

### 12.26 **MAG\_OFFY\_H (30h)**

Offset for Y-axis hard-iron compensation register (R/W). The value is expressed as a 16-bit word in two's complement.

**Table 277. MAG\_OFFY\_H register**

MAG_OFFY_H_7	MAG_OFFY_H_6	MAG_OFFY_H_5	MAG_OFFY_H_4	MAG_OFFY_H_3	MAG_OFFY_H_2	MAG_OFFY_H_1	MAG_OFFY_H_0
--------------	--------------	--------------	--------------	--------------	--------------	--------------	--------------

**Table 278. MAG\_OFFY\_H register description**

MAG_OFFY_H[7:0]	Offset for Y-axis hard-iron compensation. Default value: 00000000
-----------------	---

### 12.27 **MAG\_OFFZ\_L (31h)**

Offset for Z-axis hard-iron compensation register (R/W). The value is expressed as a 16-bit word in two's complement.

**Table 279. MAG\_OFFZ\_L register**

MAG_OFFZ_L_7	MAG_OFFZ_L_6	MAG_OFFZ_L_5	MAG_OFFZ_L_4	MAG_OFFZ_L_3	MAG_OFFZ_L_2	MAG_OFFZ_L_1	MAG_OFFZ_L_0
--------------	--------------	--------------	--------------	--------------	--------------	--------------	--------------

**Table 280. MAG\_OFFZ\_L register description**

MAG_OFFZ_L[7:0]	Offset for Z-axis hard-iron compensation. Default value: 00000000
-----------------	---

### 12.28 **MAG\_OFFZ\_H (32h)**

Offset for Z-axis hard-iron compensation register (R/W). The value is expressed as a 16-bit word in two's complement.

**Table 281. MAG\_OFFZ\_H register**

MAG_OFFZ_H_7	MAG_OFFZ_H_6	MAG_OFFZ_H_5	MAG_OFFZ_H_4	MAG_OFFZ_H_3	MAG_OFFZ_H_2	MAG_OFFZ_H_1	MAG_OFFZ_H_0
--------------	--------------	--------------	--------------	--------------	--------------	--------------	--------------

**Table 282. MAG\_OFFZ\_H register description**

MAG_OFFZ_H[7:0]	Offset for Z-axis hard-iron compensation. Default value: 00000000
-----------------	---

## 13 Soldering information

---

The LGA package is compliant with the [ECOPACK](#) and RoHS standard.

It is qualified for soldering heat resistance according to JEDEC J-STD-020.

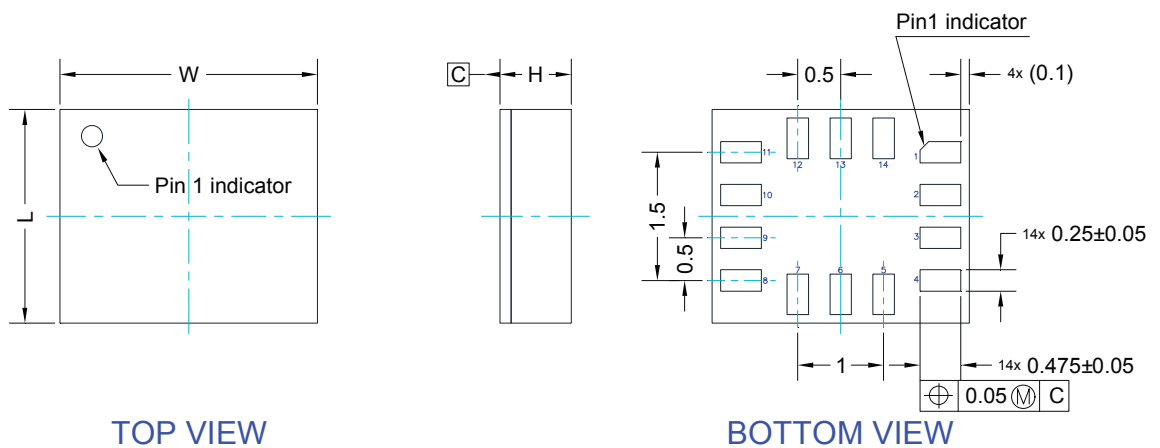
For land pattern and soldering recommendations, consult technical note [TN0018](#) available on [www.st.com](http://www.st.com).

## 14 Package information

In order to meet environmental requirements, ST offers these devices in different grades of **ECOPACK** packages, depending on their level of environmental compliance. ECOPACK specifications, grade definitions and product status are available at: [www.st.com](http://www.st.com). ECOPACK is an ST trademark.

### 14.1 LGA-14L package information

**Figure 23. LGA-14L 2.5 x 3.0 x 0.86 mm package outline and mechanical data**



Dimensions are in millimeter unless otherwise specified  
 General tolerance is  $\pm 0.1$  mm unless otherwise specified

#### OUTER DIMENSIONS

ITEM	DIMENSION [mm]	TOLERANCE [mm]
Length [L]	2.50	$\pm 0.1$
Width [W]	3.00	$\pm 0.1$
Height [H]	0.86	MAX

DM00249496\_5



## 14.2 LGA-14 packing information

Figure 24. Carrier tape information for LGA-14 package

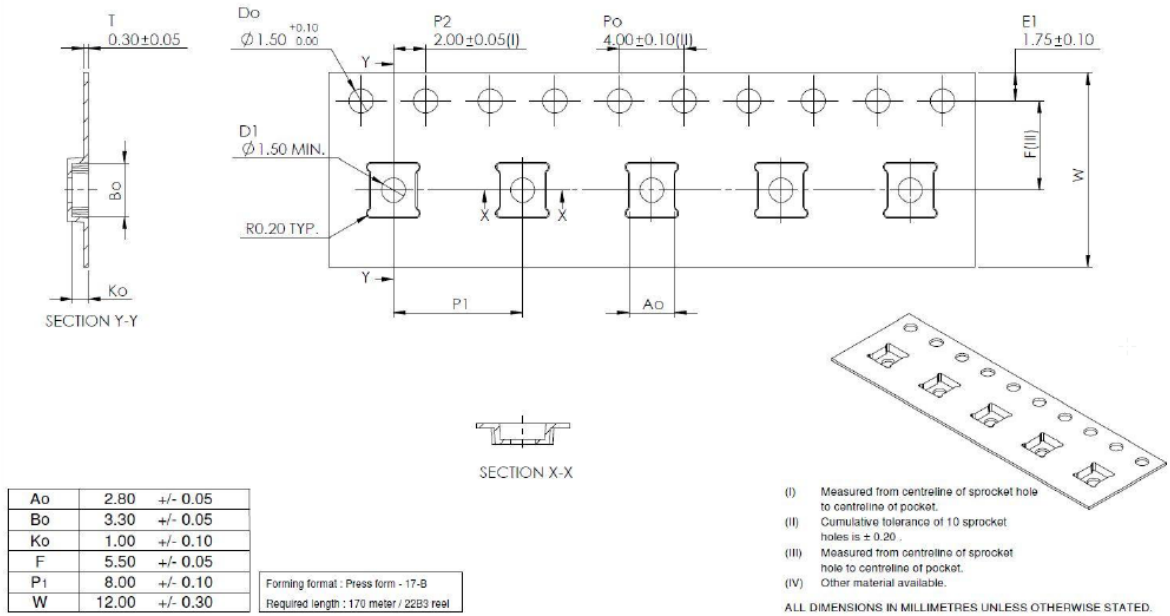


Figure 25. LGA-14 package orientation in carrier tape

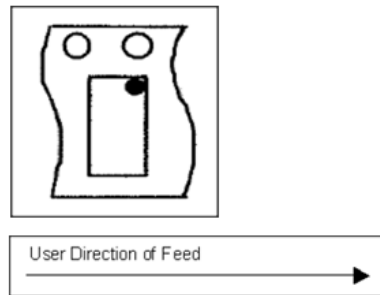


Figure 26. Reel information for carrier tape of LGA-14 package

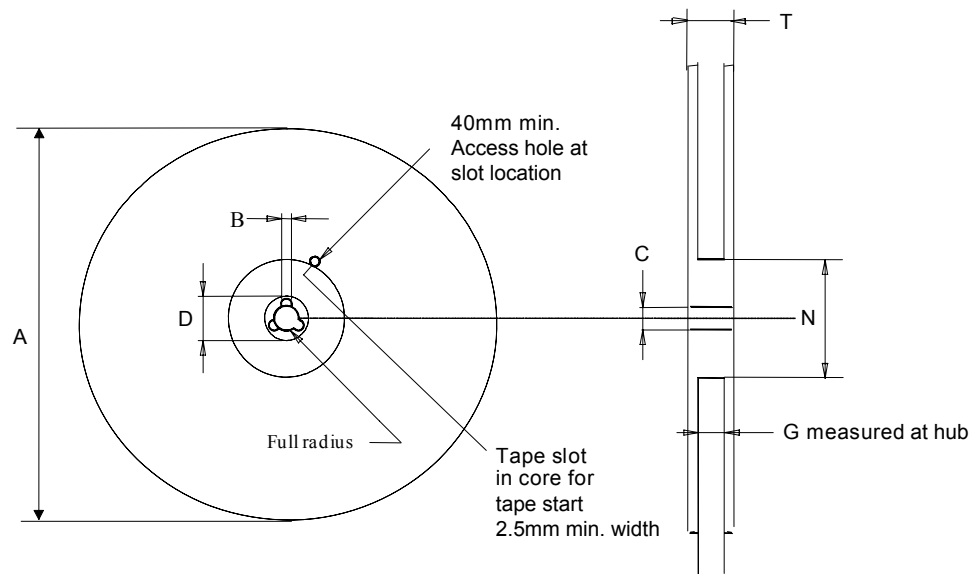


Table 283. Reel dimensions for carrier tape of LGA-14 package

Reel dimensions (mm)	
A (max)	330
B (min)	1.5
C	13 ±0.25
D (min)	20.2
N (min)	60
G	12.4 +2/-0
T (max)	18.4

## Revision history

**Table 284. Document revision history**

Date	Revision	Changes
15-Jun-2017	1	Initial release
24-Nov-2017	2	Updated Table 3: Mechanical characteristics Updated footnote 1 of Table 41: FIFO ODR selection
13-Nov-2018	3	Added product label indicating ST's 10-year longevity commitment Added sensor resonant frequency to Table 2. Mechanical characteristics Updated bit 7 in FIFO_CTRL2 (07h) Updated bit 0 in MD1_CFG (5Eh)
08-Mar-2023	4	Added product resources on page 1 Updated Note below <a href="#">Figure 3</a> and <a href="#">Figure 4</a> Updated gyroscope and accelerometer current consumption during power-down in <a href="#">Table 3. Electrical characteristics</a> Minor textual updates

## Contents

<b>1</b>	<b>Overview</b>	<b>3</b>
<b>2</b>	<b>Embedded smart features</b>	<b>4</b>
2.1	Tilt detection	4
<b>3</b>	<b>Pin description</b>	<b>5</b>
3.1	Pin connections	6
<b>4</b>	<b>Module specifications</b>	<b>8</b>
4.1	Mechanical characteristics	8
4.2	Electrical characteristics	11
4.3	Temperature sensor characteristics	11
4.4	Communication interface characteristics	12
4.4.1	SPI - serial peripheral interface	12
4.4.2	I <sup>2</sup> C- inter-IC control interface	13
4.5	Absolute maximum ratings	15
4.6	Terminology	16
4.6.1	Sensitivity	16
4.6.2	Zero-g and zero-rate level	16
<b>5</b>	<b>Functionality</b>	<b>17</b>
5.1	Operating modes	17
5.2	Gyroscope power modes	17
5.3	Accelerometer power modes	17
5.4	Block diagram of filters	17
5.4.1	Block diagrams of the gyroscope filters	18
5.4.2	Block diagrams of the accelerometer filters	19
5.5	FIFO	21
5.5.1	Bypass mode	21
5.5.2	FIFO mode	21
5.5.3	Continuous mode	22
5.5.4	Continuous-to-FIFO mode	22
5.5.5	Bypass-to-continuous mode	22
5.5.6	FIFO reading procedure	22
<b>6</b>	<b>Digital interfaces</b>	<b>23</b>
6.1	I <sup>2</sup> C/SPI interface	23
6.2	Master I <sup>2</sup> C	23
6.3	Auxiliary SPI	23
6.4	I <sup>2</sup> C serial interface	24

6.4.1	I <sup>2</sup> C operation .....	24
<b>6.5</b>	<b>SPI bus interface .....</b>	<b>26</b>
6.5.1	SPI read .....	27
6.5.2	SPI write .....	28
6.5.3	SPI read in 3-wire mode .....	28
<b>7</b>	<b>Application hints .....</b>	<b>29</b>
7.1	ISM330DLC electrical connections in mode 1 .....	29
7.2	ISM330DLC electrical connections in mode 2 .....	30
7.3	ISM330DLC electrical connections in mode 3 and mode 4 .....	31
7.3.1	.....	33
<b>8</b>	<b>Auxiliary SPI configurations .....</b>	<b>35</b>
8.1	Gyroscope filtering .....	35
8.2	Accelerometer filtering .....	36
8.2.1	Accelerometer full scale set from primary interface .....	36
8.2.2	Accelerometer full scale set from auxiliary SPI .....	36
<b>9</b>	<b>Register mapping .....</b>	<b>37</b>
<b>10</b>	<b>Register description .....</b>	<b>40</b>
10.1	FUNC_CFG_ACCESS (01h) .....	40
10.2	SENSOR_SYNC_TIME_FRAME (04h) .....	40
10.3	SENSOR_SYNC_RES_RATIO (05h) .....	40
10.4	FIFO_CTRL1 (06h) .....	41
10.5	FIFO_CTRL2 (07h) .....	41
10.6	FIFO_CTRL3 (08h) .....	42
10.7	FIFO_CTRL4 (09h) .....	43
10.8	FIFO_CTRL5 (0Ah) .....	44
10.9	DRDY_PULSE_CFG (0Bh) .....	45
10.10	INT1_CTRL (0Dh) .....	45
10.11	INT2_CTRL (0Eh) .....	46
10.12	WHO_AM_I (0Fh) .....	46
10.13	CTRL1_XL (10h) .....	47
10.14	CTRL2_G (11h) .....	48
10.15	CTRL3_C (12h) .....	49
10.16	CTRL4_C (13h) .....	50
10.17	CTRL5_C (14h) .....	51
10.18	CTRL6_C (15h) .....	52
10.19	CTRL7_G (16h) .....	53

<b>10.20</b>	CTRL8_XL (17h) .....	54
<b>10.21</b>	CTRL9_XL (18h) .....	55
<b>10.22</b>	CTRL10_C (19h) .....	55
<b>10.23</b>	MASTER_CONFIG (1Ah) .....	56
<b>10.24</b>	WAKE_UP_SRC (1Bh) .....	57
<b>10.25</b>	TAP_SRC (1Ch) .....	57
<b>10.26</b>	D6D_SRC (1Dh) .....	58
<b>10.27</b>	STATUS_REG/STATUS_SPIAux (1Eh) .....	59
<b>10.28</b>	OUT_TEMP_L (20h), OUT_TEMP_H (21h) .....	59
<b>10.29</b>	OUTX_L_G (22h) .....	60
<b>10.30</b>	OUTX_H_G (23h) .....	60
<b>10.31</b>	OUTY_L_G (24h) .....	61
<b>10.32</b>	OUTY_H_G (25h) .....	61
<b>10.33</b>	OUTZ_L_G (26h) .....	62
<b>10.34</b>	OUTZ_H_G (27h) .....	62
<b>10.35</b>	OUTX_L_XL (28h) .....	63
<b>10.36</b>	OUTX_H_XL (29h) .....	63
<b>10.37</b>	OUTY_L_XL (2Ah) .....	63
<b>10.38</b>	OUTY_H_XL (2Bh) .....	63
<b>10.39</b>	OUTZ_L_XL (2Ch) .....	64
<b>10.40</b>	OUTZ_H_XL (2Dh) .....	64
<b>10.41</b>	SENSORHUB1_REG (2Eh) .....	65
<b>10.42</b>	SENSORHUB2_REG (2Fh) .....	65
<b>10.43</b>	SENSORHUB3_REG (30h) .....	65
<b>10.44</b>	SENSORHUB4_REG (31h) .....	65
<b>10.45</b>	SENSORHUB5_REG (32h) .....	66
<b>10.46</b>	SENSORHUB6_REG (33h) .....	66
<b>10.47</b>	SENSORHUB7_REG (34h) .....	66
<b>10.48</b>	SENSORHUB8_REG (35h) .....	66
<b>10.49</b>	SENSORHUB9_REG (36h) .....	67
<b>10.50</b>	SENSORHUB10_REG (37h) .....	67
<b>10.51</b>	SENSORHUB11_REG (38h) .....	67
<b>10.52</b>	SENSORHUB12_REG (39h) .....	67
<b>10.53</b>	FIFO_STATUS1 (3Ah) .....	68
<b>10.54</b>	FIFO_STATUS2 (3Bh) .....	68
<b>10.55</b>	FIFO_STATUS3 (3Ch) .....	68

<b>10.56</b>	FIFO_STATUS4 (3Dh) .....	69
<b>10.57</b>	FIFO_DATA_OUT_L (3Eh) .....	69
<b>10.58</b>	FIFO_DATA_OUT_H (3Fh) .....	69
<b>10.59</b>	TIMESTAMP0_REG (40h) .....	70
<b>10.60</b>	TIMESTAMP1_REG (41h) .....	70
<b>10.61</b>	TIMESTAMP2_REG (42h) .....	70
<b>10.62</b>	SENSORHUB13_REG (4Dh) .....	71
<b>10.63</b>	SENSORHUB14_REG (4Eh) .....	71
<b>10.64</b>	SENSORHUB15_REG (4Fh) .....	71
<b>10.65</b>	SENSORHUB16_REG (50h) .....	71
<b>10.66</b>	SENSORHUB17_REG (51h) .....	72
<b>10.67</b>	SENSORHUB18_REG (52h) .....	72
<b>10.68</b>	FUNC_SRC1 (53h) .....	73
<b>10.69</b>	FUNC_SRC2 (54h) .....	73
<b>10.70</b>	TAP_CFG (58h) .....	74
<b>10.71</b>	TAP_THS_6D (59h) .....	74
<b>10.72</b>	INT_DUR2 (5Ah) .....	75
<b>10.73</b>	WAKE_UP_THS (5Bh) .....	75
<b>10.74</b>	WAKE_UP_DUR (5Ch) .....	76
<b>10.75</b>	FREE_FALL (5Dh) .....	76
<b>10.76</b>	MD1_CFG (5Eh) .....	77
<b>10.77</b>	MD2_CFG (5Fh) .....	78
<b>10.78</b>	MASTER_CMD_CODE (60h) .....	78
<b>10.79</b>	SENS_SYNC_SPI_ERROR_CODE (61h) .....	79
<b>10.80</b>	OUT_MAG_RAW_X_L (66h) .....	79
<b>10.81</b>	OUT_MAG_RAW_X_H (67h) .....	79
<b>10.82</b>	OUT_MAG_RAW_Y_L (68h) .....	79
<b>10.83</b>	OUT_MAG_RAW_Y_H (69h) .....	80
<b>10.84</b>	OUT_MAG_RAW_Z_L (6Ah) .....	80
<b>10.85</b>	OUT_MAG_RAW_Z_H (6Bh) .....	80
<b>10.86</b>	INT_OIS (6Fh) .....	80
<b>10.87</b>	CTRL1_OIS (70h) .....	81
<b>10.88</b>	CTRL2_OIS (71h) .....	82
<b>10.89</b>	CTRL3_OIS (72h) .....	83
<b>10.90</b>	X_OFS_USR (73h) .....	84
<b>10.91</b>	Y_OFS_USR (74h) .....	84

10.92	Z_OFS_USR (75h)	84
<b>11</b>	<b>Embedded functions register mapping</b>	<b>85</b>
<b>12</b>	<b>Embedded functions registers description</b>	<b>86</b>
12.1	SLV0_ADD (02h)	86
12.2	SLV0_SUBADD (03h)	86
12.3	SLV0_CONFIG (04h)	87
12.4	SLV1_ADD (05h)	87
12.5	SLV1_SUBADD (06h)	88
12.6	SLV1_CONFIG (07h)	88
12.7	SLV2_ADD (08h)	89
12.8	SLV2_SUBADD (09h)	89
12.9	SLV2_CONFIG (0Ah)	89
12.10	SLV3_ADD (0Bh)	90
12.11	SLV3_SUBADD (0Ch)	90
12.12	SLV3_CONFIG (0Dh)	90
12.13	DATAWRITE_SRC_MODE_SUB_SLV0 (0Eh)	91
12.14	MAG_SI_XX (24h)	91
12.15	MAG_SI_XY (25h)	91
12.16	MAG_SI_XZ (26h)	91
12.17	MAG_SI_YX (27h)	92
12.18	MAG_SI_YY (28h)	92
12.19	MAG_SI_YZ (29h)	92
12.20	MAG_SI_ZX (2Ah)	92
12.21	MAG_SI_ZY (2Bh)	93
12.22	MAG_SI_ZZ (2Ch)	93
12.23	MAG_OFFX_L (2Dh)	93
12.24	MAG_OFFX_H (2Eh)	93
12.25	MAG_OFFY_L (2Fh)	94
12.26	MAG_OFFY_H (30h)	94
12.27	MAG_OFFZ_L (31h)	94
12.28	MAG_OFFZ_H (32h)	94
<b>13</b>	<b>Soldering information</b>	<b>95</b>
<b>14</b>	<b>Package information</b>	<b>96</b>
14.1	LGA-14L package information	96
14.2	LGA-14 packing information	97





---

Revision history .....	99
List of tables .....	106
List of figures.....	112

## List of tables

<b>Table 1.</b>	Pin description . . . . .	7
<b>Table 2.</b>	Mechanical characteristics . . . . .	8
<b>Table 3.</b>	Electrical characteristics . . . . .	11
<b>Table 4.</b>	Temperature sensor characteristics . . . . .	11
<b>Table 5.</b>	SPI slave timing values . . . . .	12
<b>Table 6.</b>	I <sup>2</sup> C slave timing values . . . . .	13
<b>Table 7.</b>	I <sup>2</sup> C slave timing values . . . . .	14
<b>Table 8.</b>	Absolute maximum ratings . . . . .	15
<b>Table 9.</b>	Serial interface pin description . . . . .	23
<b>Table 10.</b>	Master I <sup>2</sup> C pin details . . . . .	23
<b>Table 11.</b>	Auxiliary SPI pin details . . . . .	23
<b>Table 12.</b>	I <sup>2</sup> C terminology . . . . .	24
<b>Table 13.</b>	SAD read/write patterns . . . . .	24
<b>Table 14.</b>	Transfer when master is writing one byte to slave . . . . .	25
<b>Table 15.</b>	Transfer when master is writing multiple bytes to slave . . . . .	25
<b>Table 16.</b>	Transfer when master is receiving (reading) one byte of data from slave . . . . .	25
<b>Table 17.</b>	Transfer when master is receiving (reading) multiple bytes of data from slave . . . . .	25
<b>Table 18.</b>	Internal pin status . . . . .	33
<b>Table 19.</b>	Registers address map . . . . .	37
<b>Table 20.</b>	FUNC_CFG_ACCESS register . . . . .	40
<b>Table 21.</b>	FUNC_CFG_ACCESS register description . . . . .	40
<b>Table 22.</b>	SENSOR_SYNC_TIME_FRAME register . . . . .	40
<b>Table 23.</b>	SENSOR_SYNC_TIME_FRAME register description . . . . .	40
<b>Table 24.</b>	SENSOR_SYNC_RES_RATIO register . . . . .	40
<b>Table 25.</b>	SENSOR_SYNC_RES_RATIO register description . . . . .	40
<b>Table 26.</b>	FIFO_CTRL1 register . . . . .	41
<b>Table 27.</b>	FIFO_CTRL1 register description . . . . .	41
<b>Table 28.</b>	FIFO_CTRL2 register . . . . .	41
<b>Table 29.</b>	FIFO_CTRL2 register description . . . . .	41
<b>Table 30.</b>	FIFO_CTRL3 register . . . . .	42
<b>Table 31.</b>	FIFO_CTRL3 register description . . . . .	42
<b>Table 32.</b>	Gyroscope FIFO decimation setting . . . . .	42
<b>Table 33.</b>	Accelerometer FIFO decimation setting . . . . .	42
<b>Table 34.</b>	FIFO_CTRL4 register . . . . .	43
<b>Table 35.</b>	FIFO_CTRL4 register description . . . . .	43
<b>Table 36.</b>	Fourth FIFO data set decimation setting . . . . .	43
<b>Table 37.</b>	Third FIFO data set decimation setting . . . . .	43
<b>Table 38.</b>	FIFO_CTRL5 register . . . . .	44
<b>Table 39.</b>	FIFO_CTRL5 register description . . . . .	44
<b>Table 40.</b>	FIFO ODR selection . . . . .	44
<b>Table 41.</b>	FIFO mode selection . . . . .	44
<b>Table 42.</b>	DRDY_PULSE_CFG register . . . . .	45
<b>Table 43.</b>	DRDY_PULSE_CFG register description . . . . .	45
<b>Table 44.</b>	INT1_CTRL register . . . . .	45
<b>Table 45.</b>	INT1_CTRL register description . . . . .	45
<b>Table 46.</b>	INT2_CTRL register . . . . .	46
<b>Table 47.</b>	INT2_CTRL register description . . . . .	46
<b>Table 48.</b>	WHO_AM_I register . . . . .	46
<b>Table 49.</b>	CTRL1_XL register . . . . .	47
<b>Table 50.</b>	CTRL1_XL register description . . . . .	47
<b>Table 51.</b>	Accelerometer ODR register setting . . . . .	47
<b>Table 52.</b>	CTRL2_G register . . . . .	48
<b>Table 53.</b>	CTRL2_G register description . . . . .	48

<b>Table 54.</b>	Gyroscope ODR configuration setting . . . . .	48
<b>Table 55.</b>	CTRL3_C register . . . . .	49
<b>Table 56.</b>	CTRL3_C register description . . . . .	49
<b>Table 57.</b>	CTRL4_C register . . . . .	50
<b>Table 58.</b>	CTRL4_C register description . . . . .	50
<b>Table 59.</b>	CTRL5_C register . . . . .	51
<b>Table 60.</b>	CTRL5_C register description . . . . .	51
<b>Table 61.</b>	Output registers wraparound pattern . . . . .	51
<b>Table 62.</b>	Angular rate sensor self-test mode selection . . . . .	51
<b>Table 63.</b>	Linear acceleration sensor self-test mode selection . . . . .	51
<b>Table 64.</b>	CTRL6_C register . . . . .	52
<b>Table 65.</b>	CTRL6_C register description . . . . .	52
<b>Table 66.</b>	Trigger mode selection . . . . .	52
<b>Table 67.</b>	Gyroscope LPF1 bandwidth selection . . . . .	52
<b>Table 68.</b>	CTRL7_G register . . . . .	53
<b>Table 69.</b>	CTRL7_G register description . . . . .	53
<b>Table 70.</b>	CTRL8_XL register . . . . .	54
<b>Table 71.</b>	CTRL8_XL register description . . . . .	54
<b>Table 72.</b>	Accelerometer bandwidth selection . . . . .	54
<b>Table 73.</b>	CTRL9_XL register . . . . .	55
<b>Table 74.</b>	CTRL9_XL register description . . . . .	55
<b>Table 75.</b>	CTRL10_C register . . . . .	55
<b>Table 76.</b>	CTRL10_C register description . . . . .	55
<b>Table 77.</b>	MASTER_CONFIG register . . . . .	56
<b>Table 78.</b>	MASTER_CONFIG register description . . . . .	56
<b>Table 79.</b>	WAKE_UP_SRC register . . . . .	57
<b>Table 80.</b>	WAKE_UP_SRC register description . . . . .	57
<b>Table 81.</b>	TAP_SRC register . . . . .	57
<b>Table 82.</b>	TAP_SRC register description . . . . .	57
<b>Table 83.</b>	D6D_SRC register . . . . .	58
<b>Table 84.</b>	D6D_SRC register description . . . . .	58
<b>Table 85.</b>	STATUS_REG register . . . . .	59
<b>Table 86.</b>	STATUS_REG register description . . . . .	59
<b>Table 87.</b>	STATUS_SPIAux register . . . . .	59
<b>Table 88.</b>	STATUS_SPIAux description . . . . .	59
<b>Table 89.</b>	OUT_TEMP_L register . . . . .	59
<b>Table 90.</b>	OUT_TEMP_H register . . . . .	59
<b>Table 91.</b>	OUT_TEMP register description . . . . .	59
<b>Table 92.</b>	OUTX_L_G register . . . . .	60
<b>Table 93.</b>	OUTX_L_G register description . . . . .	60
<b>Table 94.</b>	OUTX_H_G register . . . . .	60
<b>Table 95.</b>	OUTX_H_G register description . . . . .	60
<b>Table 96.</b>	OUTY_L_G register . . . . .	61
<b>Table 97.</b>	OUTY_L_G register description . . . . .	61
<b>Table 98.</b>	OUTY_H_G register . . . . .	61
<b>Table 99.</b>	OUTY_H_G register description . . . . .	61
<b>Table 100.</b>	OUTZ_L_G register . . . . .	62
<b>Table 101.</b>	OUTZ_L_G register description . . . . .	62
<b>Table 102.</b>	OUTZ_H_G register . . . . .	62
<b>Table 103.</b>	OUTZ_H_G register description . . . . .	62
<b>Table 104.</b>	OUTX_L_XL register . . . . .	63
<b>Table 105.</b>	OUTX_L_XL register description . . . . .	63
<b>Table 106.</b>	OUTX_H_XL register . . . . .	63
<b>Table 107.</b>	OUTX_H_XL register description . . . . .	63
<b>Table 108.</b>	OUTY_L_XL register . . . . .	63

<b>Table 109.</b>	OUTY_L_XL register description . . . . .	63
<b>Table 110.</b>	OUTY_H_XL register . . . . .	63
<b>Table 111.</b>	OUTY_H_XL register description . . . . .	63
<b>Table 112.</b>	OUTZ_L_XL register . . . . .	64
<b>Table 113.</b>	OUTZ_L_XL register description . . . . .	64
<b>Table 114.</b>	OUTZ_H_XL register . . . . .	64
<b>Table 115.</b>	OUTZ_H_XL register description . . . . .	64
<b>Table 116.</b>	SENSORHUB1_REG register . . . . .	65
<b>Table 117.</b>	SENSORHUB1_REG register description . . . . .	65
<b>Table 118.</b>	SENSORHUB2_REG register . . . . .	65
<b>Table 119.</b>	SENSORHUB2_REG register description . . . . .	65
<b>Table 120.</b>	SENSORHUB3_REG register . . . . .	65
<b>Table 121.</b>	SENSORHUB3_REG register description . . . . .	65
<b>Table 122.</b>	SENSORHUB4_REG register . . . . .	65
<b>Table 123.</b>	SENSORHUB4_REG register description . . . . .	65
<b>Table 124.</b>	SENSORHUB5_REG register . . . . .	66
<b>Table 125.</b>	SENSORHUB5_REG register description . . . . .	66
<b>Table 126.</b>	SENSORHUB6_REG register . . . . .	66
<b>Table 127.</b>	SENSORHUB6_REG register description . . . . .	66
<b>Table 128.</b>	SENSORHUB7_REG register . . . . .	66
<b>Table 129.</b>	SENSORHUB7_REG register description . . . . .	66
<b>Table 130.</b>	SENSORHUB8_REG register . . . . .	66
<b>Table 131.</b>	SENSORHUB8_REG register description . . . . .	66
<b>Table 132.</b>	SENSORHUB9_REG register . . . . .	67
<b>Table 133.</b>	SENSORHUB9_REG register description . . . . .	67
<b>Table 134.</b>	SENSORHUB10_REG register . . . . .	67
<b>Table 135.</b>	SENSORHUB10_REG register description . . . . .	67
<b>Table 136.</b>	SENSORHUB11_REG register . . . . .	67
<b>Table 137.</b>	SENSORHUB11_REG register description . . . . .	67
<b>Table 138.</b>	SENSORHUB12_REG register . . . . .	67
<b>Table 139.</b>	SENSORHUB12_REG register description . . . . .	67
<b>Table 140.</b>	FIFO_STATUS1 register . . . . .	68
<b>Table 141.</b>	FIFO_STATUS1 register description . . . . .	68
<b>Table 142.</b>	FIFO_STATUS2 register . . . . .	68
<b>Table 143.</b>	FIFO_STATUS2 register . . . . .	68
<b>Table 144.</b>	FIFO_STATUS3 register . . . . .	68
<b>Table 145.</b>	FIFO_STATUS3 register description . . . . .	68
<b>Table 146.</b>	FIFO_STATUS4 register . . . . .	69
<b>Table 147.</b>	FIFO_STATUS4 register description . . . . .	69
<b>Table 148.</b>	FIFO_DATA_OUT_L register . . . . .	69
<b>Table 149.</b>	FIFO_DATA_OUT_L register description . . . . .	69
<b>Table 150.</b>	FIFO_DATA_OUT_H register . . . . .	69
<b>Table 151.</b>	FIFO_DATA_OUT_H register description . . . . .	69
<b>Table 152.</b>	TIMESTAMP0_REG register . . . . .	70
<b>Table 153.</b>	TIMESTAMP0_REG register description . . . . .	70
<b>Table 154.</b>	TIMESTAMP1_REG register . . . . .	70
<b>Table 155.</b>	TIMESTAMP1_REG register description . . . . .	70
<b>Table 156.</b>	TIMESTAMP2_REG register . . . . .	70
<b>Table 157.</b>	TIMESTAMP2_REG register description . . . . .	70
<b>Table 158.</b>	SENSORHUB13_REG register . . . . .	71
<b>Table 159.</b>	SENSORHUB13_REG register description . . . . .	71
<b>Table 160.</b>	SENSORHUB14_REG register . . . . .	71
<b>Table 161.</b>	SENSORHUB14_REG register description . . . . .	71
<b>Table 162.</b>	SENSORHUB15_REG register . . . . .	71
<b>Table 163.</b>	SENSORHUB15_REG register description . . . . .	71

<b>Table 164.</b>	SENSORHUB16_REG register . . . . .	71
<b>Table 165.</b>	SENSORHUB16_REG register description . . . . .	71
<b>Table 166.</b>	SENSORHUB17_REG register . . . . .	72
<b>Table 167.</b>	SENSORHUB17_REG register description . . . . .	72
<b>Table 168.</b>	SENSORHUB18_REG register . . . . .	72
<b>Table 169.</b>	SENSORHUB18_REG register description . . . . .	72
<b>Table 170.</b>	FUNC_SRC1 register . . . . .	73
<b>Table 171.</b>	FUNC_SRC1 register description . . . . .	73
<b>Table 172.</b>	FUNC_SRC2 register . . . . .	73
<b>Table 173.</b>	FUNC_SRC2 register description . . . . .	73
<b>Table 174.</b>	TAP_CFG register . . . . .	74
<b>Table 175.</b>	TAP_CFG register description . . . . .	74
<b>Table 176.</b>	TAP_THS_6D register . . . . .	74
<b>Table 177.</b>	TAP_THS_6D register description . . . . .	74
<b>Table 178.</b>	Threshold for D4D/D6D function . . . . .	75
<b>Table 179.</b>	INT_DUR2 register . . . . .	75
<b>Table 180.</b>	INT_DUR2 register description . . . . .	75
<b>Table 181.</b>	WAKE_UP_THS register . . . . .	75
<b>Table 182.</b>	WAKE_UP_THS register description . . . . .	75
<b>Table 183.</b>	WAKE_UP_DUR register . . . . .	76
<b>Table 184.</b>	WAKE_UP_DUR register description . . . . .	76
<b>Table 185.</b>	FREE_FALL register . . . . .	76
<b>Table 186.</b>	FREE_FALL register description . . . . .	76
<b>Table 187.</b>	Threshold for free-fall function . . . . .	76
<b>Table 188.</b>	MD1_CFG register . . . . .	77
<b>Table 189.</b>	MD1_CFG register description . . . . .	77
<b>Table 190.</b>	MD2_CFG register . . . . .	78
<b>Table 191.</b>	MD2_CFG register description . . . . .	78
<b>Table 192.</b>	MASTER_CMD_CODE register . . . . .	78
<b>Table 193.</b>	MASTER_CMD_CODE register description . . . . .	78
<b>Table 194.</b>	SENS_SYNC_SPI_ERROR_CODE register . . . . .	79
<b>Table 195.</b>	SENS_SYNC_SPI_ERROR_CODE register description . . . . .	79
<b>Table 196.</b>	OUT_MAG_RAW_X_L register . . . . .	79
<b>Table 197.</b>	OUT_MAG_RAW_X_L register description . . . . .	79
<b>Table 198.</b>	OUT_MAG_RAW_X_H register . . . . .	79
<b>Table 199.</b>	OUT_MAG_RAW_X_H register description . . . . .	79
<b>Table 200.</b>	OUT_MAG_RAW_Y_L register . . . . .	79
<b>Table 201.</b>	OUT_MAG_RAW_Y_L register description . . . . .	79
<b>Table 202.</b>	OUT_MAG_RAW_Y_H register . . . . .	80
<b>Table 203.</b>	OUT_MAG_RAW_Y_H register description . . . . .	80
<b>Table 204.</b>	OUT_MAG_RAW_Z_L register . . . . .	80
<b>Table 205.</b>	OUT_MAG_RAW_Z_L register description . . . . .	80
<b>Table 206.</b>	OUT_MAG_RAW_Z_H register . . . . .	80
<b>Table 207.</b>	OUT_MAG_RAW_Z_H register description . . . . .	80
<b>Table 208.</b>	INT_OIS register . . . . .	80
<b>Table 209.</b>	INT_OIS register description . . . . .	80
<b>Table 210.</b>	CTRL1_OIS register . . . . .	81
<b>Table 211.</b>	CTRL1_OIS register description . . . . .	81
<b>Table 212.</b>	DEN mode selection . . . . .	81
<b>Table 213.</b>	CTRL2_OIS register . . . . .	82
<b>Table 214.</b>	CTRL2_OIS register description . . . . .	82
<b>Table 215.</b>	Gyroscope OIS chain LPF1 bandwidth selection . . . . .	82
<b>Table 216.</b>	CTRL3_OIS register . . . . .	83
<b>Table 217.</b>	CTRL3_OIS register description . . . . .	83
<b>Table 218.</b>	Accelerometer OIS channel bandwidth selection . . . . .	83

<b>Table 219.</b>	Self-test nominal output variation . . . . .	84
<b>Table 220.</b>	X_OFS_USR register . . . . .	84
<b>Table 221.</b>	X_OFS_USR register description . . . . .	84
<b>Table 222.</b>	Y_OFS_USR register . . . . .	84
<b>Table 223.</b>	Y_OFS_USR register description . . . . .	84
<b>Table 224.</b>	Z_OFS_USR register . . . . .	84
<b>Table 225.</b>	Z_OFS_USR register description . . . . .	84
<b>Table 226.</b>	Register address map embedded functions . . . . .	85
<b>Table 227.</b>	SLV0_ADD register . . . . .	86
<b>Table 228.</b>	SLV0_ADD register description . . . . .	86
<b>Table 229.</b>	SLV0_SUBADD register . . . . .	86
<b>Table 230.</b>	SLV0_SUBADD register description . . . . .	86
<b>Table 231.</b>	SLV0_CONFIG register . . . . .	87
<b>Table 232.</b>	SLV0_CONFIG register description . . . . .	87
<b>Table 233.</b>	SLV1_ADD register . . . . .	87
<b>Table 234.</b>	SLV1_ADD register description . . . . .	87
<b>Table 235.</b>	SLV1_SUBADD register . . . . .	88
<b>Table 236.</b>	SLV1_SUBADD register description . . . . .	88
<b>Table 237.</b>	SLV1_CONFIG register . . . . .	88
<b>Table 238.</b>	SLV1_CONFIG register description . . . . .	88
<b>Table 239.</b>	SLV2_ADD register . . . . .	89
<b>Table 240.</b>	SLV2_ADD register description . . . . .	89
<b>Table 241.</b>	SLV2_SUBADD register . . . . .	89
<b>Table 242.</b>	SLV2_SUBADD register description . . . . .	89
<b>Table 243.</b>	SLV2_CONFIG register . . . . .	89
<b>Table 244.</b>	SLV2_CONFIG register description . . . . .	89
<b>Table 245.</b>	SLV3_ADD register . . . . .	90
<b>Table 246.</b>	SLV3_ADD register description . . . . .	90
<b>Table 247.</b>	SLV3_SUBADD register . . . . .	90
<b>Table 248.</b>	SLV3_SUBADD register description . . . . .	90
<b>Table 249.</b>	SLV3_CONFIG register . . . . .	90
<b>Table 250.</b>	SLV3_CONFIG register description . . . . .	90
<b>Table 251.</b>	DATAWRITE_SRC_MODE_SUB_SLV0 register . . . . .	91
<b>Table 252.</b>	DATAWRITE_SRC_MODE_SUB_SLV0 register description . . . . .	91
<b>Table 253.</b>	MAG_SI_XX register . . . . .	91
<b>Table 254.</b>	MAG_SI_XX register description . . . . .	91
<b>Table 255.</b>	MAG_SI_XY register . . . . .	91
<b>Table 256.</b>	MAG_SI_XY register description . . . . .	91
<b>Table 257.</b>	MAG_SI_XZ register . . . . .	91
<b>Table 258.</b>	MAG_SI_XZ register description . . . . .	91
<b>Table 259.</b>	MAG_SI_YX register . . . . .	92
<b>Table 260.</b>	MAG_SI_YX register description . . . . .	92
<b>Table 261.</b>	MAG_SI_YY register . . . . .	92
<b>Table 262.</b>	MAG_SI_YY register description . . . . .	92
<b>Table 263.</b>	MAG_SI_YZ register . . . . .	92
<b>Table 264.</b>	MAG_SI_YZ register description . . . . .	92
<b>Table 265.</b>	MAG_SI_ZX register . . . . .	92
<b>Table 266.</b>	MAG_SI_ZX register description . . . . .	92
<b>Table 267.</b>	MAG_SI_ZY register . . . . .	93
<b>Table 268.</b>	MAG_SI_ZY register description . . . . .	93
<b>Table 269.</b>	MAG_SI_ZZ register . . . . .	93
<b>Table 270.</b>	MAG_SI_ZZ register description . . . . .	93
<b>Table 271.</b>	MAG_OFFX_L register . . . . .	93
<b>Table 272.</b>	MAG_OFFX_L register description . . . . .	93
<b>Table 273.</b>	MAG_OFFX_H register . . . . .	93



---

<b>Table 274.</b> MAG_OFFX_H register description . . . . .	93
<b>Table 275.</b> MAG_OFFY_L register . . . . .	94
<b>Table 276.</b> MAG_OFFY_L register description . . . . .	94
<b>Table 277.</b> MAG_OFFY_H register . . . . .	94
<b>Table 278.</b> MAG_OFFY_H register description . . . . .	94
<b>Table 279.</b> MAG_OFFZ_L register . . . . .	94
<b>Table 280.</b> MAG_OFFZ_L register description . . . . .	94
<b>Table 281.</b> MAG_OFFZ_H register . . . . .	94
<b>Table 282.</b> MAG_OFFZ_H register description . . . . .	94
<b>Table 283.</b> Reel dimensions for carrier tape of LGA-14 package . . . . .	98
<b>Table 284.</b> Document revision history . . . . .	99

## List of figures

<b>Figure 1.</b>	Pin connections . . . . .	5
<b>Figure 2.</b>	ISM330DLC connection modes. . . . .	6
<b>Figure 3.</b>	SPI slave timing diagram . . . . .	12
<b>Figure 4.</b>	I <sup>2</sup> C timing diagram. . . . .	13
<b>Figure 5.</b>	Block diagram of filters . . . . .	17
<b>Figure 6.</b>	Gyroscope digital chain - mode 1 (GP) and mode 2. . . . .	18
<b>Figure 7.</b>	Gyroscope digital chain - mode 3 / mode 4 (OIS) . . . . .	18
<b>Figure 8.</b>	Accelerometer chain . . . . .	19
<b>Figure 9.</b>	Accelerometer composite filter (for modes 1/2 and mode 3*). . . . .	19
<b>Figure 10.</b>	Accelerometer composite filter (Mode 4 only*) . . . . .	20
<b>Figure 11.</b>	Read and write protocol . . . . .	26
<b>Figure 12.</b>	SPI read protocol . . . . .	27
<b>Figure 13.</b>	Multiple byte SPI read protocol (2-byte example). . . . .	27
<b>Figure 14.</b>	SPI write protocol . . . . .	28
<b>Figure 15.</b>	Multiple byte SPI write protocol (2-byte example) . . . . .	28
<b>Figure 16.</b>	SPI read protocol in 3-wire mode . . . . .	28
<b>Figure 17.</b>	ISM330DLC electrical connections in mode 1 . . . . .	29
<b>Figure 18.</b>	ISM330DLC electrical connections in mode 2. . . . .	30
<b>Figure 19.</b>	ISM330DLC electrical connections in mode 3 and mode 4 (auxiliary 3-wire SPI) . . . . .	31
<b>Figure 20.</b>	ISM330DLC electrical connections in mode 3 and mode 4 (auxiliary 4-wire SPI) . . . . .	32
<b>Figure 21.</b>	Gyroscope chain. . . . .	35
<b>Figure 22.</b>	Accelerometer chain (available only in mode 4) . . . . .	36
<b>Figure 23.</b>	LGA-14L 2.5 x 3.0 x 0.86 mm package outline and mechanical data . . . . .	96
<b>Figure 24.</b>	Carrier tape information for LGA-14 package . . . . .	97
<b>Figure 25.</b>	LGA-14 package orientation in carrier tape. . . . .	97
<b>Figure 26.</b>	Reel information for carrier tape of LGA-14 package . . . . .	98



**IMPORTANT NOTICE – READ CAREFULLY**

STMicroelectronics NV and its subsidiaries (“ST”) reserve the right to make changes, corrections, enhancements, modifications, and improvements to ST products and/or to this document at any time without notice. Purchasers should obtain the latest relevant information on ST products before placing orders. ST products are sold pursuant to ST’s terms and conditions of sale in place at the time of order acknowledgment.

Purchasers are solely responsible for the choice, selection, and use of ST products and ST assumes no liability for application assistance or the design of purchasers’ products.

No license, express or implied, to any intellectual property right is granted by ST herein.

Resale of ST products with provisions different from the information set forth herein shall void any warranty granted by ST for such product.

ST and the ST logo are trademarks of ST. For additional information about ST trademarks, refer to [www.st.com/trademarks](http://www.st.com/trademarks). All other product or service names are the property of their respective owners.

Information in this document supersedes and replaces information previously supplied in any prior versions of this document.

© 2023 STMicroelectronics – All rights reserved

单击下面可查看定价，库存，交付和生命周期等信息

[>>STMicro\(意法半导体\)](#)