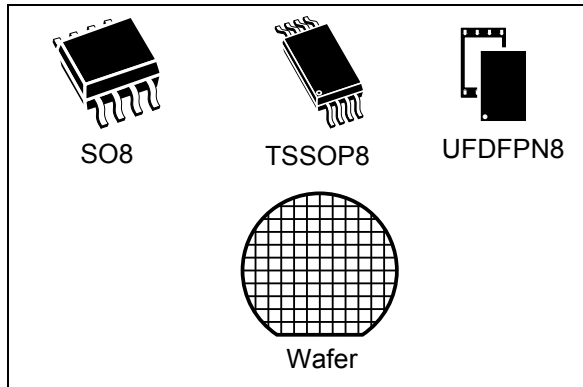


**Dynamic NFC/RFID tag IC with 2-Kbit EEPROM,  
NFC Forum Type 4 Tag and I<sup>2</sup>C interface**

Datasheet - production data

**Package**

- 8-lead small-outline package (SO8) ECOPACK2
- TSSOP8 ECOPACK2
- UFDFPN8 ECOPACK2

**Digital pad**

- GPO: configurable general purpose output
- RF disable: activation/deactivation of RF commands

**Temperature range**

- From - 40 °C up to 85 °C

**Features****I<sup>2</sup>C interface**

- Two-wire I<sup>2</sup>C serial interface supports 1 MHz protocol
- Single supply voltage: 2.7 V to 5.5 V

**Contactless interface**

- NFC Forum Type 4 Tag
- ISO/IEC 14443 Type A
- 106 Kbps data rate
- Internal tuning capacitance: 25 pF

**Memory**

- 256-byte (2-kbit) EEPROM
- Support of NDEF data structure
- Data retention: 200 years
- Write endurance:
  - 1 million cycles at 25 °C
  - 600 k cycles at 85 °C
- Read: up to 246 bytes in a single command
- Write: up to 246 bytes in a single command
- 7-byte unique identifier (UID)
- 128-bit passwords protection

**Description**

M24SR02-Y belongs to the ST25 family, which includes all STMicroelectronics NFC/RFID tag and reader products.

The M24SR02-Y device is a dynamic NFC/RFID tag IC with a dual interface embedding an EEPROM. It can be operated from an I<sup>2</sup>C interface or by a 13.56 MHz RFID reader or from an NFC phone.

The I<sup>2</sup>C interface uses a two-wire serial interface, consisting of a bidirectional data line and a clock line. It behaves as a slave in the I<sup>2</sup>C protocol.

The RF protocol is compatible with ISO/IEC 14443 Type A and NFC Forum Type 4 Tag.

# Contents

<b>1</b>	<b>Functional description</b>	<b>9</b>
1.1	Functional modes	10
1.1.1	I2C mode	10
1.1.2	Tag mode	10
1.1.3	Dual interface mode	11
<b>2</b>	<b>Description of signals</b>	<b>12</b>
2.1	Serial clock (SCL)	12
2.2	Serial data (SDA)	12
2.3	Antenna coil (AC0, AC1)	12
2.4	Ground (VSS)	12
2.5	Supply voltage ( $V_{CC}$ )	12
2.5.1	Operating supply voltage $V_{CC}$	12
2.5.2	Power-up conditions	13
2.5.3	Device reset in I <sup>2</sup> C mode	13
2.5.4	Power-down conditions	13
2.6	RF disable	13
2.7	General purpose output (GPO)	13
2.7.1	Session Open configuration (GPO field = 0xX1 or 0x1X)	14
2.7.2	WIP Writing in Progress configuration (GPO field = 0xX2 or 0x2X)	15
2.7.3	I <sup>2</sup> C answer ready configuration (GPO field = 0xX3)	16
2.7.4	MIP NDEF Message writing in Progress configuration (GPO field = 0x3X)	17
2.7.5	INT interrupt configuration (GPO field = 0xX4 or 0x4X)	18
2.7.6	State control configuration (GPO field = 0xX5 or 0x5X)	19
2.7.7	RF busy configuration (GPO field = 0x6X)	20
<b>3</b>	<b>M24SR02-Y memory management</b>	<b>21</b>
3.1	Memory structure	21
3.1.1	File identifier	21
3.1.2	CC file layout	21
3.1.3	NDEF file layout	22
3.1.4	System file layout	23
3.2	Read and write access rights to the memory	25

3.2.1	State of the Read and Write access rights	26
3.2.2	Changing the read access right to NDEF files	27
3.2.3	Changing the write access right to NDEF files	28
3.3	Access right life time	28
3.4	NDEF file passwords	28
3.5	I2C password	29
3.5.1	I <sup>2</sup> C password and I <sup>2</sup> C protect field of the System file	29
<b>4</b>	<b>Communication mechanism</b>	<b>30</b>
4.1	Master and slave	30
4.2	M24SR02-Y session mechanism	30
4.2.1	RF token	30
4.2.2	I <sup>2</sup> C token	30
<b>5</b>	<b>I<sup>2</sup>C and RF command sets</b>	<b>31</b>
5.1	Structure of the command sets	32
5.2	I-Block format	32
5.2.1	C-APDU: payload format of a command	33
5.2.2	R-APDU: payload format of a response	33
5.3	R-Block format	34
5.4	S-Block format	35
5.5	CRC of the I2C and RF frame	36
5.6	NFC Forum Type 4 Tag protocol	37
5.6.1	Command set	37
5.6.2	Status and error codes	37
5.6.3	NDEF Tag Application Select command	38
5.6.4	Capability Container Select command	38
5.6.5	NDEF Select command	39
5.6.6	System File Select command	40
5.6.7	ReadBinary command	41
5.6.8	UpdateBinary command	42
5.7	ISO/IEC 7816-4 commands	43
5.7.1	Verify command	43
5.7.2	Change Reference Data command	44
5.7.3	Enable Verification Requirement command	45
5.7.4	Disable Verification Requirement command	46

5.8	ST proprietary command set	47
5.8.1	ExtendedReadBinary command	47
5.8.2	EnablePermanentState command	48
5.8.3	DisablePermanentState command	49
5.8.4	UpdateFileType command	50
5.8.5	SendInterrupt command	51
5.8.6	StateControl command	51
5.9	Specific RF command set	52
5.9.1	Anticollision command set	52
5.9.2	RATS command and ATS response	52
5.9.3	PPS command and response	54
5.10	Specific I <sup>2</sup> C command set	55
5.10.1	GetI2Csession command	55
5.10.2	KillRFsession command	55
<b>6</b>	<b>RF device operation</b>	<b>56</b>
6.1	Anticollision and Device activation command set for the RF interface	56
6.2	Open an RF session	56
6.3	Close an RF session	56
6.4	Applicative command set	56
<b>7</b>	<b>I<sup>2</sup>C device operation</b>	<b>57</b>
7.1	I <sup>2</sup> C communication protocol	57
7.2	Start condition	58
7.3	Stop condition	58
7.4	I <sup>2</sup> C token release sequence	58
7.5	I <sup>2</sup> C timeout on clock period	59
7.6	Acknowledge bit (ACK)	59
7.7	Data input	59
7.8	I <sup>2</sup> C device address	59
7.9	I <sup>2</sup> C frame format	60
7.9.1	Example of I <sup>2</sup> C frame commands	60
7.10	Open an I <sup>2</sup> C session	62
7.11	Close the I <sup>2</sup> C session	62

<b>8</b>	<b>Functional procedures</b> .....	<b>63</b>
8.1	Selection of an NDEF message .....	63
8.2	Reading of an NDEF message .....	63
8.3	Reading a locked NDEF file .....	63
8.4	Locking an NDEF file .....	64
8.5	Unlocking an NDEF file .....	64
8.6	Reaching the read-only state for an NDEF file .....	64
8.7	Changing an NDEF password procedure .....	64
8.8	Changing a File type Procedure .....	65
8.9	Updating an NDEF file .....	65
<b>9</b>	<b>UID: unique identifier</b> .....	<b>66</b>
<b>10</b>	<b>Maximum ratings</b> .....	<b>67</b>
<b>11</b>	<b>I2C DC and AC parameters</b> .....	<b>68</b>
11.1	I2C timing measurement condition .....	73
<b>12</b>	<b>GPO parameters</b> .....	<b>75</b>
<b>13</b>	<b>Write cycle definition</b> .....	<b>77</b>
<b>14</b>	<b>RF electrical parameters</b> .....	<b>78</b>
<b>15</b>	<b>Package information</b> .....	<b>79</b>
15.1	SO8N package information .....	79
15.2	TSSOP8 package information .....	81
15.3	UFDFPN8 package information .....	82
<b>16</b>	<b>Ordering information</b> .....	<b>84</b>
<b>17</b>	<b>Revision history</b> .....	<b>85</b>

## List of tables

Table 1.	Signal names	10
Table 2.	Functional modes	10
Table 3.	File identifier	21
Table 4.	CC file layout for 1 NDEF file	22
Table 5.	NDEF file layout	23
Table 6.	Field list.	23
Table 7.	Details about I2C watchdog	24
Table 8.	Details about the GPO field	24
Table 9.	Details about the RF session field	25
Table 10.	Details about the ST reserved field.	25
Table 11.	Details about the RF enable field	25
Table 12.	Read access right	26
Table 13.	Write access right	26
Table 14.	RF and I <sup>2</sup> C command sets	31
Table 15.	I-Block format	32
Table 16.	PCB field of the I-Block format	33
Table 17.	C-APDU format	33
Table 18.	R-APDU format	34
Table 19.	R-Block format	34
Table 20.	R-Block detailed format	35
Table 21.	S-Block format	35
Table 22.	S-Block detailed format.	36
Table 23.	Command set overview	37
Table 24.	Status code of the M24SR02-Y	37
Table 25.	Error codes of the M24SR02-Y	37
Table 26.	C-APDU of the NDEF Tag Application Select command	38
Table 27.	R-APDU of the NDEF Tag Application Select command	38
Table 28.	C-APDU of the Capability Container Select command	39
Table 29.	R-APDU of the Capability Container Select command	39
Table 30.	C-APDU of the NDEF Select command	40
Table 31.	R-APDU of the NDEF Select command	40
Table 32.	C-APDU of the System File Select command.	40
Table 33.	R-APDU of the System File Select command.	41
Table 34.	C-APDU of the ReadBinary command	41
Table 35.	R-APDU of the ReadBinary command	41
Table 36.	C-APDU of the UpdateBinary command	42
Table 37.	R-APDU of the UpdateBinary command	42
Table 38.	Verify command format.	43
Table 39.	R-APDU of the Verify command	44
Table 40.	Change reference data command format	44
Table 41.	R-APDU of the Change Reference Data command	45
Table 42.	Enable Verification Requirement command format	45
Table 43.	R-APDU of the Enable Verification Requirement command.	46
Table 44.	Disable Verification Requirement command format	46
Table 45.	R-APDU of the Disable Verification Requirement command	47
Table 46.	C-APDU of the ExtendedReadBinary command	47
Table 47.	R-APDU of the ExtendedReadBinary command	48
Table 48.	EnablePermanentState command format.	48

Table 49.	R-APDU table of the EnablePermanentState command	48
Table 50.	DisablePermanentState command format	49
Table 51.	R-APDU of the DisablePermanentState command	49
Table 52.	UpdateFileType command format	50
Table 53.	R-APDU of the UpdateFileType command	50
Table 54.	SendInterrupt command format	51
Table 55.	R-APDU of the SendInterrupt command	51
Table 56.	StateControl command format	52
Table 57.	R-APDU of the StateControl command	52
Table 58.	Commands issues by the RF host	52
Table 59.	RATS command	53
Table 60.	Conversion from FDSI to FSD	53
Table 61.	ATS response	53
Table 62.	PPS command	54
Table 63.	Ascending and descending data rate coding	54
Table 64.	PPS response	54
Table 65.	Specific I <sup>2</sup> C commands	55
Table 66.	GetI2Csession command format	55
Table 67.	KillRFsession command format	55
Table 68.	I <sup>2</sup> C device address format	59
Table 69.	I <sup>2</sup> C frame format	60
Table 70.	I <sup>2</sup> C host to M24SR02-Y	60
Table 71.	M24SR02-Y to I <sup>2</sup> C host	61
Table 72.	UID format	66
Table 73.	Absolute maximum ratings	67
Table 74.	I <sup>2</sup> C operating conditions	68
Table 75.	AC test measurement conditions	68
Table 76.	Input parameters	68
Table 77.	I <sup>2</sup> C DC characteristics	69
Table 78.	I <sup>2</sup> C AC characteristics (400 kHz)	70
Table 79.	I <sup>2</sup> C AC characteristics (1 MHz)	71
Table 80.	Device select code	74
Table 81.	GPO timings measurement	75
Table 82.	Write cycle definition	77
Table 83.	Default operating conditions	78
Table 84.	RF characteristics	78
Table 85.	SO8N - 8-lead plastic small outline, 150 mils body width, package data	79
Table 86.	TSSOP8 – 8-lead thin shrink small outline, 3 x 6.4 mm, 0.65 mm pitch, package mechanical data	81
Table 87.	UFDFPN8 - 8- lead, 2 x 3 mm, 0.5 mm pitch ultra thin profile fine pitch dual flat package mechanical data	83
Table 88.	Document revision history	85

## List of figures

Figure 1.	M24SR02-Y block diagram. . . . .	9
Figure 2.	8-pin package connections. . . . .	10
Figure 3.	GPO configured as Session Open (GPO field = 0xX1 or 0x1X). . . . .	14
Figure 4.	GPO configured as WIP (GPO field = 0xX2 or 0x2X). . . . .	15
Figure 5.	GPO configured as I <sup>2</sup> C answer ready (GPO field = 0xX3). . . . .	16
Figure 6.	GPO configured as MIP (GPO field = 0xX3). . . . .	17
Figure 7.	GPO configured as INT (GPO field = 0xX4 or 0x4X). . . . .	18
Figure 8.	GPO configured as State control (GPO field = 0xX5 or 0x5X). . . . .	19
Figure 9.	GPO configured as RF busy (GPO field = 0xX6). . . . .	20
Figure 10.	Changing the read access right to an NDEF file. . . . .	27
Figure 11.	Changing the write access right to an NDEF file . . . . .	28
Figure 12.	Command and response exchange . . . . .	57
Figure 13.	I <sup>2</sup> C token release sequence . . . . .	58
Figure 14.	NDEF tag Application Select command . . . . .	61
Figure 15.	AC test measurement I/O waveform. . . . .	68
Figure 16.	I <sup>2</sup> C AC waveforms . . . . .	72
Figure 17.	Maximum Rbus value with f <sub>C</sub> = 400 kHz . . . . .	73
Figure 18.	Maximum Rbus value with f <sub>C</sub> = 1 MHz. . . . .	73
Figure 19.	I2C bus protocol . . . . .	74
Figure 20.	SO8N - 8-lead plastic small outline, 150 mils body width, package outline . . . . .	79
Figure 21.	SO8N - 8-lead plastic small outline, 150 mils body width, package recommended footprint . . . . .	80
Figure 22.	TSSOP8 – 8-lead thin shrink small outline, 3 x 6.4 mm, 0.65 mm pitch, package outline. . . . .	81
Figure 23.	UFDFPN8 - 8-lead, 2 x 3 mm, 0.5 mm pitch ultra thin profile fine pitch dual flat package outline. . . . .	82



# 1 Functional description

The M24SR02-Y device is a dynamic NFC/RFID tag that can be accessed either from the I<sup>2</sup>C or the RF interface. The RF and I<sup>2</sup>C host can read or write to the same memory, as only one host can communicate at a given time with the M24SR02-Y. The management of the interface selection is controlled by the M24SR02-Y device itself.

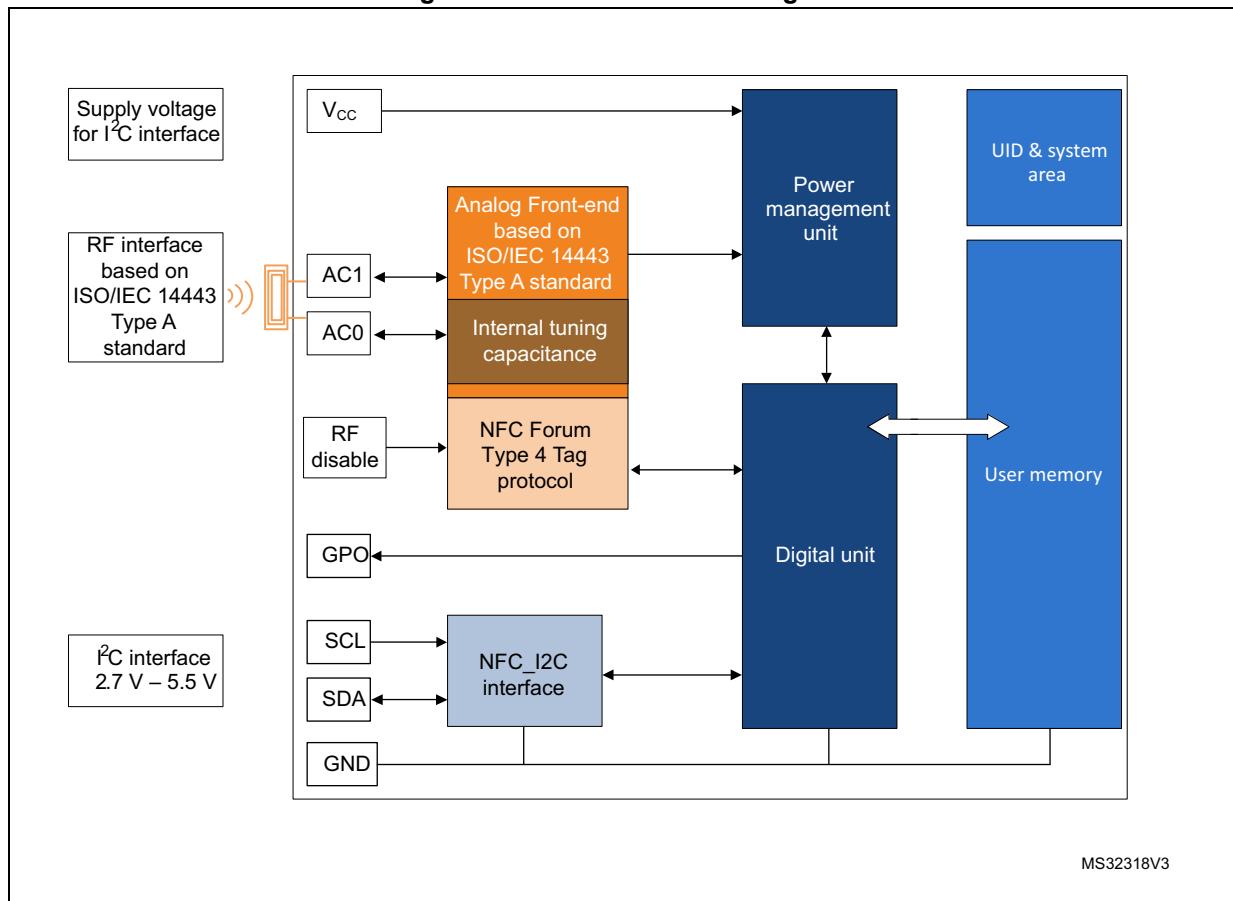
The RF interface is based on the ISO/IEC 14443 Type A standard. The M24SR02-Y is compatible with the NFC Forum Type 4 Tag specifications and supports all corresponding commands.

The I<sup>2</sup>C interface uses a two-wire serial interface consisting of a bidirectional data line and a clock line. The devices carry a built-in 4-bit device type identifier code in accordance with the I<sup>2</sup>C bus definition.

The device behaves as a slave in the I<sup>2</sup>C protocol.

Figure 1 displays the block diagram of the M24SR02-Y device.

Figure 1. M24SR02-Y block diagram

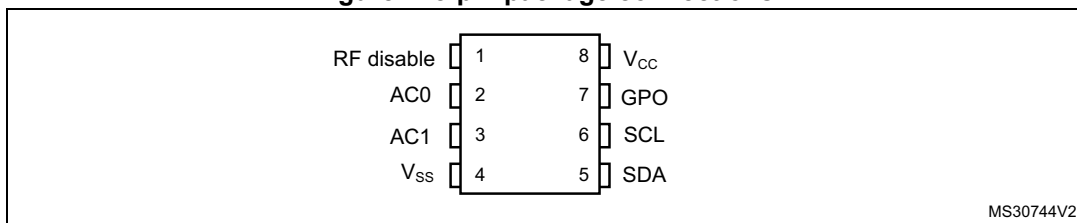


**Table 1. Signal names**

Signal name	Function	Direction
SDA	Serial data	I/O
SCL	Serial clock	Input
AC0, AC1	Antenna coils	-
V <sub>CC</sub>	Supply voltage	-
V <sub>SS</sub>	Ground	-
GPO	Interrupt output <sup>(1)</sup>	Open drain output
RF disable	Disables the RF communication <sup>(2)</sup>	Input

1. An external pull-up > 4.7 kΩ is required.
2. An external pull-down is required when the voltage on V<sub>CC</sub> is above its POR level.

**Figure 2. 8-pin package connections**



1. See [Section 15: Package information](#) for package dimensions, and how to identify pin 1.

## 1.1 Functional modes

The M24SR02-Y has two functional modes available. The difference between the modes lies in the power supply source (see [Table 2](#)).

**Table 2. Functional modes**

Modes	Supply source	Comments
I <sup>2</sup> C mode	V <sub>CC</sub>	The I <sup>2</sup> C interface is available
Tag mode	RF field only	The I <sup>2</sup> C interface is disconnected
Dual interface mode	RF field or V <sub>CC</sub>	Both I <sup>2</sup> C and RF interfaces are available

### 1.1.1 I<sup>2</sup>C mode

M24SR02-Y is powered by V<sub>CC</sub>. The I<sup>2</sup>C interface is connected to the M24SR02-Y. The I<sup>2</sup>C host can communicate with the M24SR02-Y device.

### 1.1.2 Tag mode

The M24SR02-Y is supplied by the RF field and can communicate with an RF host (RFID reader or an NFC phone). The User memory can only be accessed by the RF commands.

### 1.1.3 Dual interface mode

Both interfaces, RF and I<sup>2</sup>C, are connected to the M24SR02-Y and both RF or I<sup>2</sup>C host can communicate with the M24SR02-Y device. The power supply and the access management are carried out by the M24SR02-Y itself. For further details refer to [Section 4.2.1: RF token](#) and [Section 4.2.2: I2C token](#).

## 2 Description of signals

### 2.1 Serial clock (SCL)

This input signal is used to strobe all data in and out of the device. In applications where this signal is used by slave devices to synchronize the bus to a slower clock, the bus master must have an open drain output, and a pull-up resistor must be connected from Serial clock (SCL) to  $V_{CC}$ . (Figure 17 indicates how the value of the pull-up resistor can be calculated).

In most applications, though, this method of synchronization is not employed, and so the pull-up resistor is not necessary, provided that the bus master has a push-pull (rather than an open drain) output.

### 2.2 Serial data (SDA)

This bidirectional signal is used to transfer data in or out of the device. It is an open drain output that may be wire-OR'ed with other open drain or open collector signals on the bus. A pull-up resistor must be connected from Serial data (SDA) to  $V_{CC}$ . (Figure 17 indicates how the value of the pull-up resistor can be calculated).

### 2.3 Antenna coil (AC0, AC1)

These inputs are used to connect the device to an external coil exclusively. It is advised not to connect any other DC or AC path to AC0 or AC1.

When correctly tuned, the coil is used to access the device using NFC Forum Type 4 commands.

### 2.4 Ground ( $V_{SS}$ )

$V_{SS}$ , when connected, is the reference for the  $V_{CC}$  supply voltage for all pads, including AC0 and AC1.

### 2.5 Supply voltage ( $V_{CC}$ )

This pin can be connected to an external DC supply voltage.

*Note:* An internal voltage regulator allows the external voltage applied on  $V_{CC}$  to supply the M24SR02-Y.

#### 2.5.1 Operating supply voltage $V_{CC}$

Prior to selecting the M24SR02-Y and issuing instructions to it, a valid and stable  $V_{CC}$  voltage within the specified [ $V_{CC}(\text{min})$ ,  $V_{CC}(\text{max})$ ] range must be applied. To maintain a stable DC supply voltage, it is recommended to decouple the  $V_{CC}$  line with suitable capacitors (usually of the order of 10 nF and 100 pF) close to the  $V_{CC}$  /  $V_{SS}$  package pins.

This voltage must remain stable and valid until the end of the transmission of the instruction and, for a writing instruction (UpdateBinary, ChangeReferenceData,

EnableVerificationRequirement, DisableVerificationRequirement, EnablePermanentState, DisablePermanentState, until the completion of the internal I<sup>2</sup>C write cycle ( $t_W$ ).

## 2.5.2 Power-up conditions

When the power supply is turned on,  $V_{CC}$  rises from  $V_{SS}$  to  $V_{CC}$ . The  $V_{CC}$  rise time must not vary faster than 1 V/ $\mu$ s.

## 2.5.3 Device reset in I<sup>2</sup>C mode

In order to prevent inadvertent write operations during power-up, a power-on reset (POR) circuit is included. At power-up (continuous rise of  $V_{CC}$ ), the M24SR02-Y does not respond to any I<sup>2</sup>C instruction until  $V_{CC}$  has reached the power-on reset threshold voltage (this threshold is lower than the minimum  $V_{CC}$  operating voltage defined). When  $V_{CC}$  passes over the POR threshold, the device is reset and enters the Standby power mode. However, the device must not be accessed until  $V_{CC}$  has reached a valid and stable  $V_{CC}$  voltage within the specified [ $V_{CC}(\text{min})$ ,  $V_{CC}(\text{max})$ ] range.

In a similar way, during power-down (continuous decrease in  $V_{CC}$ ), as soon as  $V_{CC}$  drops below the power-on reset threshold voltage, the M24SR02-Y stops responding to any instruction sent to it.

## 2.5.4 Power-down conditions

During power-down (continuous decay of  $V_{CC}$ ), the M24SR02-Y must be in Standby power mode (mode reached after decoding a Stop condition, assuming that there is no internal operation in progress).

## 2.6 RF disable

This input signal is used to disable the RF communication. When the voltage on the  $V_{CC}$  pin is below the POR level or not connected, an internal pull-down resistor is connected on this pad. Thus, the RF disable pad is maintained to the low level and the RF analog front end is activated. When the voltage on the  $V_{CC}$  pin is higher than the POR level, the I<sup>2</sup>C host must set this pin to enable or disable the RF communication. In Dual interface mode, RF disable must not be left floating.

## 2.7 General purpose output (GPO)

The GPO pad is an open drain pad and an external pull-up resistor must be connected to it. This pad is a configurable output signal. On delivery, GPO is configured as Session opened. Its behavior is consistent with the I<sup>2</sup>C or RF session activated and with the mode chosen by the user. The GPO pad is enable when an RF or an I<sup>2</sup>C session is open. When neither an RF nor an I<sup>2</sup>C session is open, the GPO is high impedance.

The user can select one of these configurations<sup>(a)</sup>:

- SessionOpen: an RF or I<sup>2</sup>C session is ongoing.
- MIP (NDEF Message updating In Progress): the RF host is writing an NDEF length different from 0x0000. This mode can be used to detect when the RF host changes the NDEF message as defined by the NFC Forum.
- WIP (Writing In Progress): the M24SR02-Y is executing a writing operation.
- INT (interrupt): the I<sup>2</sup>C or RF host can force the M24SR02-Y to send a negative pulse on the GPO pin.
- I<sup>2</sup>C ready response: an I<sup>2</sup>C response is ready to be read by the I<sup>2</sup>C host.
- State mode: the I<sup>2</sup>C or RF host can control the state of the GPO pad during the RF session.
- RF busy: an RF host is communicating with the M24SR02-Y.

### 2.7.1 Session Open configuration (GPO field = 0xX1 or 0x1X)

When the GPO is configured as “Session Open”, it goes to the Low state when an RF or I<sup>2</sup>C session is ongoing (see [Figure 3](#)).

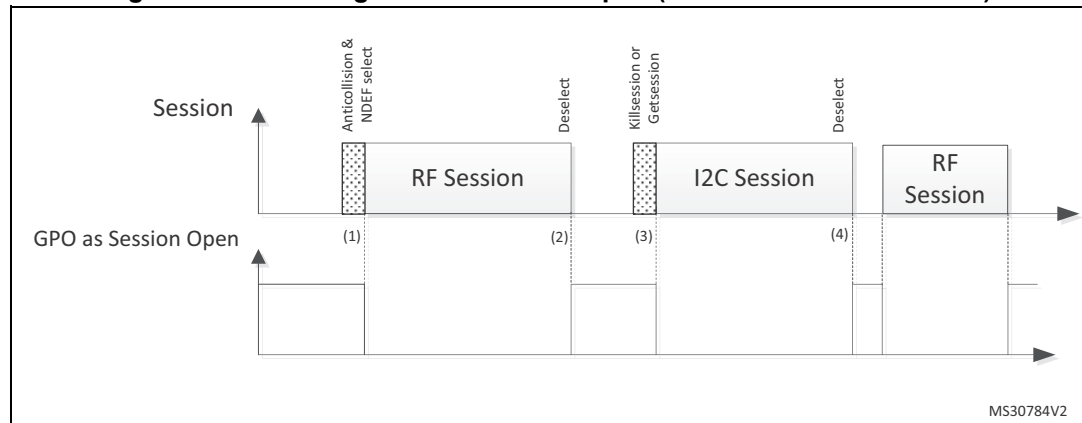
An RF session is taken when M24SR02-Y receives a valid Select Application. The session is released after M24SR02-Y has received a valid Deselect command, if M24SR02-Y has received a Kill RF session command in I<sup>2</sup>C or when the RF field became OFF.

An I<sup>2</sup>C session is taken when M24SR02-Y receives a valid Get session command or a valid Kill RF session command. The session is released after M24SR02-Y has received I<sup>2</sup>C token release sequence or after a power-off.

GPO is driven low after a delay (1) or (3) when the session is open.

GPO is released after a delay (2) or (4) when the session is released.

**Figure 3. GPO configured as Session Open (GPO field = 0xX1 or 0x1X)**



1. CmdEOFtoGPlow (RF command End of frame to GPORF Session pad low)
2. CmdEOFtoGPHZ (RF command End of frame to GPORF Session pad HZ)
3. CmdSTPtoGPlow (I2C command stop to GPO low)
4. AnswerlLBtoGPHZ (I2C answer last bit of last byte to GPO HZ)

a. See [Table 81](#) for more details.

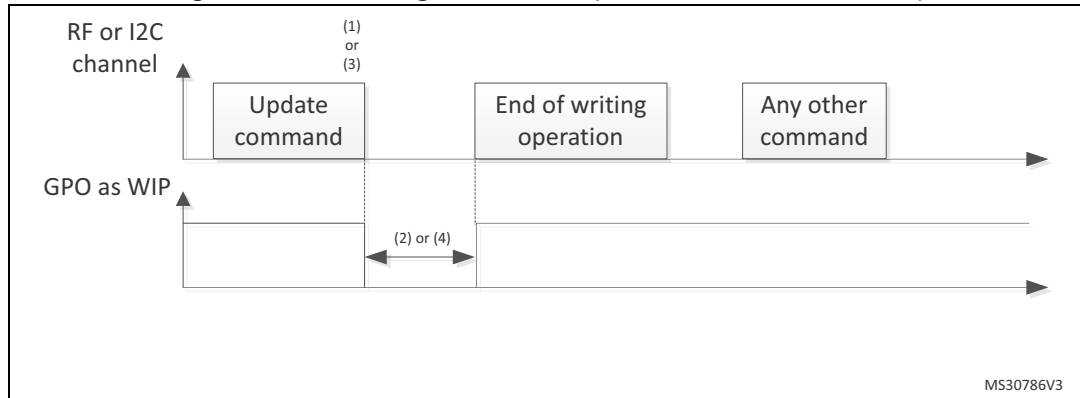
## 2.7.2 WIP Writing in Progress configuration (GPO field = 0xX2 or 0x2X)

When the GPO is configured as "WIP", it goes to the Low state during an I<sup>2</sup>C or RF writing operation.

During an RF or I<sup>2</sup>C session, when M24SR02-Y updates a file, GPO is driven low after a delay (1) or (3) following the beginning of the correspondent UpdateBinary command execution.

GPO will remain low during the writing time (2) or (4), before being released.

**Figure 4. GPO configured as WIP (GPO field = 0xX2 or 0x2X)**



1. CmdSTPtoGPlow (I2C Command Stop to GPO low)
2. Writing time duration
3. CmdEOFtoGPlow (RF Command End of frame to GPO low)
4. Writing time duration

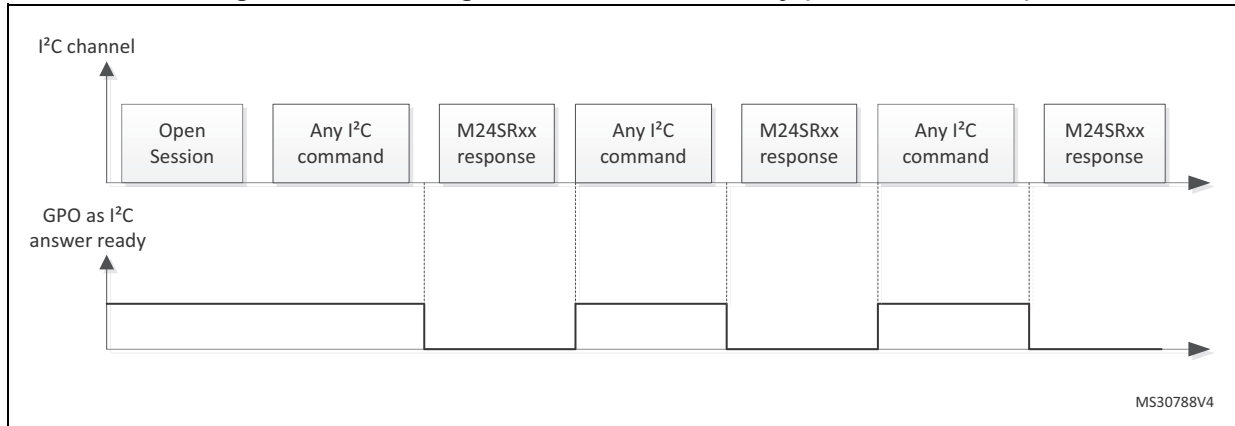
### 2.7.3 I<sup>2</sup>C answer ready configuration (GPO field = 0xX3)

When the GPO is configured as I<sup>2</sup>C answer ready, it goes to the low state when the M24SR02-Y has finished to treat the I<sup>2</sup>C command and is ready to send the I<sup>2</sup>C response.

During an I<sup>2</sup>C session, after receiving a valid I<sup>2</sup>C command, GPO pin is driven low after a delay when M24SR02-Y is ready to deliver a response on the I<sup>2</sup>C bus.

GPO is released when M24SR02-Y receives a new command.

Figure 5. GPO configured as I<sup>2</sup>C answer ready (GPO field = 0xX3)





## 2.7.4 MIP NDEF Message writing in Progress configuration (GPO field = 0x3X)

When the GPO is configured as MIP, its state goes to the low state when the RF host writes the NDEF length to another value than 0x0000.

During an RF session, when M24SR02-Y changes an NDEF file and updates the NDEF length with a value different from 0x0000, GPO is driven low after a delay (1) following the beginning of the correspondent UpdateBinary command execution.

GPO will remain low during the writing time (2), before being released.

**Figure 6. GPO configured as MIP (GPO field = 0x3X)**



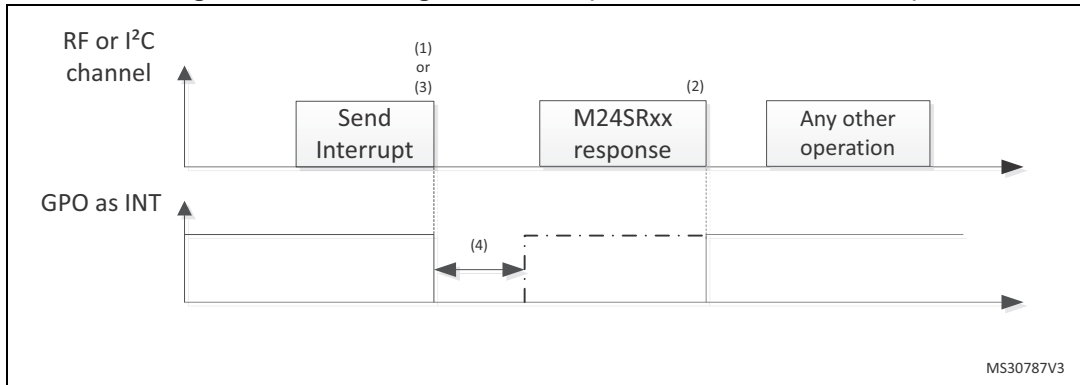
1. CmdEOFToGPlow (RF command End of frame to GPO low)
2. Writing time duration

### 2.7.5 INT interrupt configuration (GPO field = 0xX4 or 0x4X)

The I<sup>2</sup>C or RF host can send a negative pulse on the GPO pad. The GPO pad goes to the low state at the end of the command and goes to the high state at the end of the M24SR02-Y response.

During an RF or I<sup>2</sup>C session, when M24SR02-Y receives a valid Interrupt command, M24SR02-Y GPO pin is driven low after (1) or (3) for a duration of (4) in RF, or after responding in I2C (2). Then GPO pin is released.

**Figure 7. GPO configured as INT (GPO field = 0xX4 or 0x4X)**



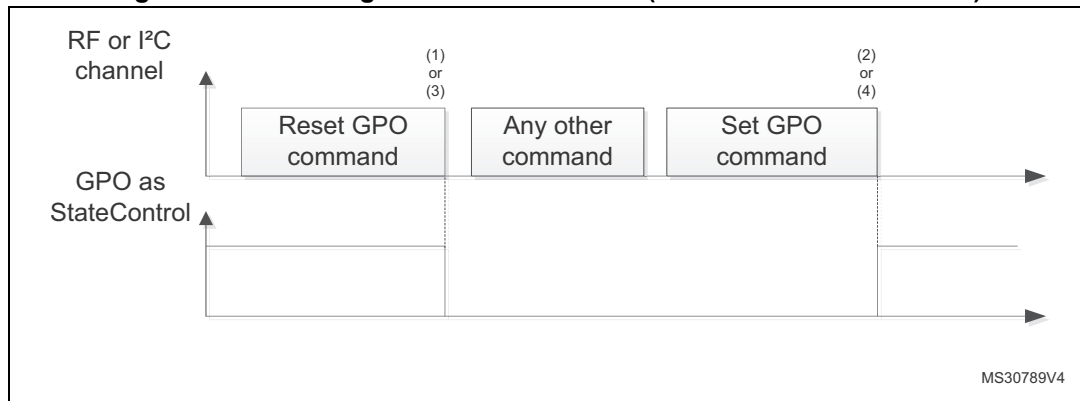
1. CmdSTPtoGPlow (I2C command Stop to GPO low)
2. After NewCmdIbFB (new I2C command last bit of first byte) or after AnswerIbFB (I2C answer last bit of first byte)
3. CmdEOFtoGPlow (RF command End of frame to GPO low)
4. GPO pulse duration

### 2.7.6 State control configuration (GPO field = 0xX5 or 0x5X)

When the GPO is configured as State control, the I<sup>2</sup>C or RF host can control the state of the GPO by sending a dedicated command.

During an RF or I<sup>2</sup>C session, the M24SR02-Y can control the GPO pin. After receiving a valid Set GPO command, GPO pin is driven low after a delay (1) or (3). GPO will be released after a valid Reset command or after a power-off or upon closing the RF session.

**Figure 8. GPO configured as State control (GPO field = 0xX5 or 0x5X)**



1. CmdSTPtoGPlow (I2C Set GPO command Stop to GPO low)
2. CmdSTPtoGPHZ (I2C Reset GPO command Stop to GPO HZ)
3. CmdEOFtoGPlow (RF Set GPO command End of frame to GPO low)
4. CmdEOFtoGPHZ (RF Reset GPO command End of frame to GPO HZ)

### 2.7.7 RF busy configuration (GPO field = 0x6X)

When the GPO is configured as RF busy, the GPO goes to the low state when the M24SR02-Y is processing an RF command or when an RF session is ongoing.

When an RF field is present, GPO is driven low after a delay (1) when M24SR02-Y detects the first command. If the RF session is ongoing and M24SR02-Y receives a not-supported command, GPO remains low. It will be released only at the end of the RF session, after (2).

**Figure 9. GPO configured as RF busy (GPO field = 0x6X)**



1. CmdSOFtoGPlow (RF command Start of frame to GPO low)
2. CmdEOFtoGPHZ (RF command End of frame to GPO HZ)

## 3 M24SR02-Y memory management

### 3.1 Memory structure

The M24SR02-Y supports the NDEF tag application as defined in the NFC Forum Type 4 Tag. The M24SR02-Y is composed of three files:

- a CC (capability container) file
- an NDEF file
- a System file: this is an ST-proprietary file

The System file contains information on the configuration of the M24SR02-Y device. The CC file gives information about the M24SR02-Y itself and the NDEF file. The NDEF file contains the User data.

#### 3.1.1 File identifier

The file identifier is the value used in the Select command to select a file.

**Table 3. File identifier**

File identifier	Meaning
0xE101	System file
0xE103	CC file
0x0001	NDEF file

#### 3.1.2 CC file layout

The CC file gives information about the M24SR02-Y and the NDEF file. This is a read-only file for the RF or I<sup>2</sup>C host and cannot be modified by issuing a write command.

The T field, Read Access and Write Access fields can be changed by the RF or I<sup>2</sup>C host by issuing a specific process (refer to [Section 8: Functional procedures](#)).

Table 4. CC file layout for 1 NDEF file

File offset	Meaning	Value	Comments
0x0000	Number of bytes of CC file	0x000F	15 bytes
0x0002	Mapping version <sup>(1)</sup>	0x20 or 0x10	V 2.0 or V 1.0
0x0003	Maximum number of bytes that can be read	0x00F6	246 bytes
0x0005	Maximum number of bytes that can be written	0x00F6	246 bytes
0x0007	NDEF file control TLV	0x04 <sup>(2)</sup>	T field
0x0008		0x06	L field
0x0009		0x0001	FileID
0x000B		0x0100	Maximum NDEF file size
0x000D		0x00 <sup>(2)</sup>	Read access
0x000E		0x00 <sup>(2)</sup>	Write access

1. According to the reader.

2. Delivery state.

### 3.1.3 NDEF file layout

The NDEF file contains the NDEF message, which contains the user data. The RF host or the I<sup>2</sup>C host can read and write data inside the file. The first two bytes (named NDEF message length) define the size of the NDEF message. The NDEF message length must be managed by the application and the M24SR02-Y device does not check if its value is relevant vs. the data written by the RF or I<sup>2</sup>C host. The M24SR02-Y device uses the NDEF message length, e. g. the standard read can be processed only inside the NDEF message; otherwise, the M24SR02-Y device returns an error code. For more details about the read command, refer to [Section 5.6.7: ReadBinary command](#).

Table 5. NDEF file layout

File offset	Byte 0	Byte 1	Byte 2	Byte 3
0x0000	NDEF message length		User data	User data
0x0004	User data	User data	User data	User data
...	...	...	...	...
...	...	...	...	...
...	...	...	...	...
0x00FC	...	...	...	User data

### 3.1.4 System file layout

The system file specifies the configuration of the M24SR02-Y. [Table 6](#) lists the different fields.

Table 6. Field list

File offset	Field name	Number of bytes	Read access	Write access	Delivery state <sup>(1)</sup>
0x0000	Length system file	2	I <sup>2</sup> C or RF	-	0x0012
0x0002	I <sup>2</sup> C protect	1	I <sup>2</sup> C or RF	I <sup>2</sup> C <sup>(2)</sup>	0x01
0x0003	I <sup>2</sup> C watchdog	1	I <sup>2</sup> C or RF	I <sup>2</sup> C <sup>(2)</sup>	0x00
0x0004	GPO	1	I <sup>2</sup> C or RF	I <sup>2</sup> C <sup>(2)</sup>	0x11
0x0005	ST reserved	1	I <sup>2</sup> C or RF	I <sup>2</sup> C <sup>(2)</sup>	0x00
0x0006	RF enable	1	I <sup>2</sup> C or RF	I <sup>2</sup> C <sup>(2)</sup>	0x xxxx xx1 <sup>(3)</sup>
0x0007	NDEF file number (RFU)	1	I <sup>2</sup> C or RF	none	0x00
0x0008	UID	7	I <sup>2</sup> C or RF	none	0x0282 xx xx xx xx xx <sup>(4)</sup>
0x000F	Memory size	2	I <sup>2</sup> C or RF	none	0x00FF
0x0011	Product code	1	I <sup>2</sup> C or RF	none	0x82

1. The delivery state for all passwords is 0x00000000000000000000000000000000.
2. The access is granted when the field I<sup>2</sup>C protect is set to the state Unprotected or when the right I<sup>2</sup>C password is correctly received (see [Section 3.5: I<sup>2</sup>C password](#)).
3. Refer to [Table 11](#).
4. x values are defined by ST to insure UID unicity.

**Table 7. Details about I<sup>2</sup>C watchdog**

File offset	b7- b0
0x0003	<p>The I<sup>2</sup>C watchdog ensures that the I2C host will not keep the session open while there is no more activity on the I<sup>2</sup>C bus (between the stop bit of the previous transaction and the start bit of the next one).</p> <ul style="list-style-type: none"> <li>– b7-b3: RFU</li> <li>– b2-b0<sup>(1)</sup>:                             <ul style="list-style-type: none"> <li>000: watchdog disabled</li> <li>001: N = 1 → 30 ms</li> <li>010: N = 2 → 60 ms</li> <li>011: N = 4 → 120 ms</li> <li>100: N = 8 → 240 ms</li> <li>101: N = 16 → 480 ms</li> <li>110: N = 32 → 960 ms</li> <li>111: N = 64 → 1920 ms</li> </ul> </li> </ul>

1. If b2-b0 are programmed to a non null value (N), the watchdog is enabled and starts counting for the indicated (approximate) duration, before releasing the I<sup>2</sup>C session.

**Table 8. Details about the GPO field**

File offset	b7	b6-b4	b3	b2-b0
0x0004				
RFU				
When an RF session is open:				
0b000: High impedance				
0b001: Session opened				
0b010: WIP				
0b011: MIP				
0b100: Interrupt				
0b101: State control				
0b110: RF busy				
0b111: RFU				
RFU				
When an I <sup>2</sup> C session is open:				
0b000: High impedance				
0b001: Session opened				
0b010: WIP				
0b011: I <sup>2</sup> C answer ready				
0b100: Interrupt				
0b101: State control				
0b110: RFU				
0b111: RFU				





**Table 9. Details about the RF session field**

File offset	b7	b6-b4	b3-b0
0x0004			
RFU			
When an RF session is open: 0b001: Session opened			
RFU			

[Table 10](#) gives some details about the ST reserved field.

**Table 10. Details about the ST reserved field**

File offset	b7-b0
0x0005	
0x00	

[Table 11](#) gives some details about the RF enable field.

**Table 11. Details about the RF enable field**

File offset	b7	b6-b4	b3	b2-b1	b0
0x0006					
0: the RF field is off <sup>(1)</sup> 1: the RF field is on <sup>(1)</sup>					
RFU					
0: the RF disable pad is at low state <sup>(1)</sup> 1: the RF disable pad is at high state <sup>(1)</sup>					
RFU					
0: the M24SR02-Y does not decode the command received from the RF interface 1: the M24SR02-Y decodes the command received from the RF interface					

1. this field is written by the M24SR02-Y.

## 3.2 Read and write access rights to the memory

An NDEF file can be locked for read or write accesses. It is also protected by a 128-bit password that the host must present before accessing the NDEF file. There are two 128-bit passwords, one for the read access and the other one for the write access.

An NDEF file can be permanently locked for read or write accesses. Thus, the host cannot access the NDEF file.

The read password must be sent to the M24SR02-Y device before reading a read-locked NDEF file.

The write password must be present on the M24SR02-Y device before writing a write-locked NDEF file. The write password must be sent to change the read or write access. The read or write access right is defined for the NDEF file.

### 3.2.1 State of the Read and Write access rights

Two bytes in the CC file are used to define the Read and Write access rights to the NDEF file. For more details refer to [Section 3.1.2: CC file layout](#).

**Table 12. Read access right**

Value	Meaning
0x00	Read access without any security
0x80	Locked <sup>(1)</sup>
0xFE	Read not authorized

1. The read password must be sent before reading in the NDEF file.

**Table 13. Write access right**

Value	Meaning
0x00	Write access without any security
0x80	Locked <sup>(1)</sup>
0xFF	Write not authorized

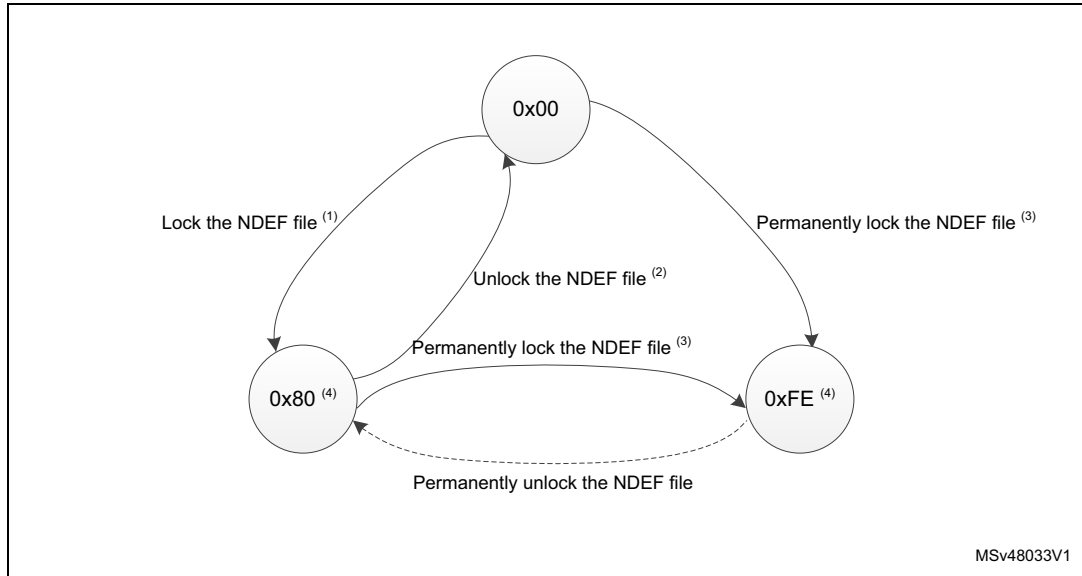
1. The write password must be sent before writing in the NDEF file.

The state 0xFF and 0xFE cannot be changed by using the Read or Write passwords.

### 3.2.2 Changing the read access right to NDEF files

The state diagram on [Figure 10](#) shows how to change the access right to read an NDEF file.

**Figure 10. Changing the read access right to an NDEF file**

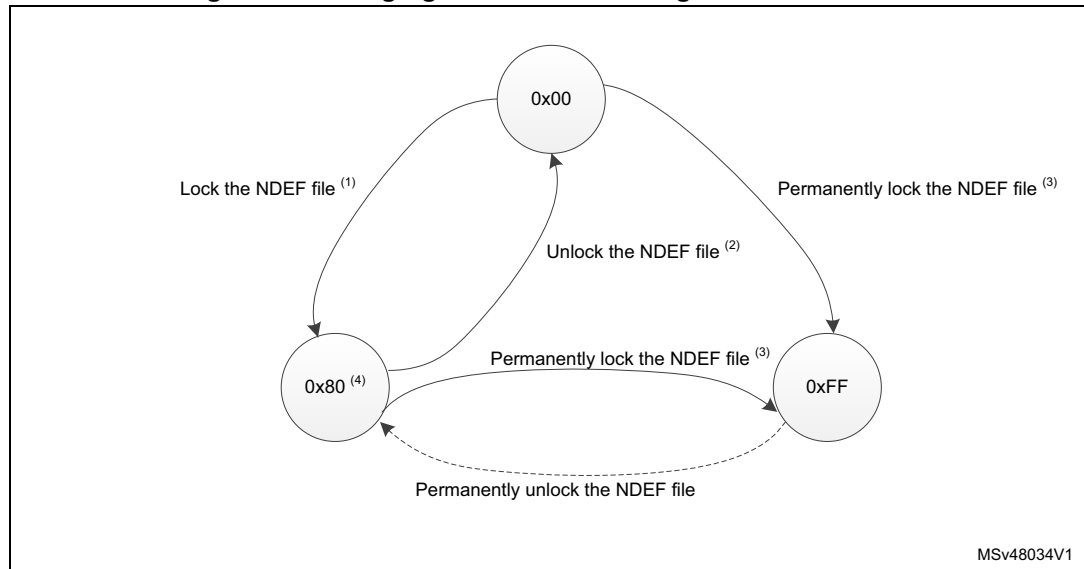


1. See the procedure to lock the read access ([Section 8.4: Locking an NDEF file](#)).
2. See the procedure to unlock the read access ([Section 8.5: Unlocking an NDEF file](#)).
3. See the procedure to permanently lock the read access ([Section 8.6: Reaching the read-only state for an NDEF file](#)).
4. Proprietary state, not defined by NFC Forum Type 4 Tag. For NFC Forum compatible tags, the only possible value of the read access rights are 0x00 (no restrictions on reads).

### 3.2.3 Changing the write access right to NDEF files

The state diagram on [Figure 1](#) shows how to change the write access right to an NDEF file.

**Figure 11. Changing the write access right to an NDEF file**



1. See the procedure to lock the write access.
2. See the procedure to unlock the write access.
3. See the procedure to permanently lock the write access ([Section 8.6: Reaching the read-only state for an NDEF file](#)).
4. Proprietary state, not defined by NFC Forum Type 4 Tag. For NFC Forum compatible tags, it is mandatory that the write access rights are set to either 0x00 (no restrictions on writes) or to 0xFF (permanently locked). 0x80 might not be fully decoded by some smart phones.

### 3.3 Access right life time

The access right life time is validated while the NDEF file is selected or until the end of the RF or I<sup>2</sup>C session. Once the read or write access right is granted, the host can send one or more ReadBinary or UpdateBinary commands.

At the end of a session or when the host selects another file, the read and write access rights are initialized.

### 3.4 NDEF file passwords

The NDEF file passwords protect the read or write access from an RF or I<sup>2</sup>C interface from/to an NDEF file.

Two NDEF file passwords are available for each NDEF file:

- Read password
- Write password

The length of a password is 128 bits (16 bytes).

## 3.5 I<sup>2</sup>C password

The I<sup>2</sup>C password can be sent only by the I<sup>2</sup>C host. It activates the SuperUser rights. The I<sup>2</sup>C host with the SuperUser rights can:

- access the NDEF file regardless of the right access and without sending the NDEF file passwords
- change the access rights regardless of the current state.

The length of the I<sup>2</sup>C password is 128 bits (16 bytes).

### 3.5.1 I<sup>2</sup>C password and I<sup>2</sup>C protect field of the System file

The I<sup>2</sup>C protect field in the system file can be set to:

- 0x00: the I<sup>2</sup>C host has the SuperUser right access without sending the I<sup>2</sup>C password
- 0x01: the I<sup>2</sup>C host has the SuperUser right access after sending the I<sup>2</sup>C password.

For more details about the system file layout, refer to [Section 3.1.4: System file layout](#).

## 4 Communication mechanism

This section describes the principle of communication between an RF or an I<sup>2</sup>C host and the M24SR02-Y device.

### 4.1 Master and slave

The M24SR02-Y acts as a slave device on either the I<sup>2</sup>C-bus or the RF channel and therefore waits for a command from the I<sup>2</sup>C master or the RF host before sending its response.

The RF host must generate the RF field and the RF commands.

The I<sup>2</sup>C host must supply the M24SR02-Y through the V<sub>CC</sub> pin and must generate the I<sup>2</sup>C clock on the SCL pad.

### 4.2 M24SR02-Y session mechanism

The M24SR02-Y is a dynamic NFC/RFID tag that can be accessed either from the RF or I<sup>2</sup>C interface. The M24SR02-Y implements a token system. This token has two possible values, RF or I<sup>2</sup>C. When the token exists and is assigned to one interface (RF or I<sup>2</sup>C), the M24SR02-Y cannot communicate with the other host.

#### 4.2.1 RF token

The token is given to the RF interface once the anticollision is done. The release condition can be either an RF field cut-off, or the reception of the command deselect, or when the I<sup>2</sup>C host sends the KillRFsession.

#### 4.2.2 I<sup>2</sup>C token

The token is given to the I<sup>2</sup>C interface when the I<sup>2</sup>C host has sent the correct device Select. The release condition can be either a power down condition on V<sub>CC</sub> pin or the reception of a I<sup>2</sup>C token release sequence from the I<sup>2</sup>C host, after which M24SR02-Y goes in Standby power mode.

## 5 I<sup>2</sup>C and RF command sets

The command sets of the M24SR02-Y can be split in different command families. Most commands are common between the RF and the I<sup>2</sup>C interface. Some commands are specific to the RF interface and some others are specific to the I<sup>2</sup>C interface. This section describes the M24SR02-Y command sets that can be issued by the RF or the I<sup>2</sup>C host.

There are three command families:

- the NFC Forum Type 4 Tag command set
- the ISO/IEC 7816-4 command set
- the proprietary command set

The NFC Forum Type 4 Tag command set and the ISO/IEC 7816-4 command set use the I-Block format. For more details about the I-Block format, refer to [Section 5.2](#).

Two other command formats exist:

- the commands using the R-Block format (refer to [Section 5.3](#))
- the commands using the S-Block format (refer to [Section 5.4](#)).

This section gives a brief description of the RF and I<sup>2</sup>C host common commands. The format of these command sets is the I-Block format.

[Table 14](#) lists the RF and I<sup>2</sup>C command sets.

**Table 14. RF and I<sup>2</sup>C command sets**

Family command set	Command name	Class byte	Instruction code	Brief description
NFC Forum Type 4 Tag	NDEF Tag Application Select	0x00	0xA4	NDEF Tag Application Select
	CC select	0x00	0xA4	Select the CC file
	NDEF select	0x00	0xA4	Select the NDEF file
	System select	0x00	0xA4	Select the system file
	ReadBinary	0x00	0xB0	Read data from file
	UpdateBinary	0x00	0xD6	Write or erase data to a NDEF file
ISO/IEC 7816-4	Verify	0x00	0x20	Checks the right access of a NDEF file or sends a password
	ChangeReferenceData	0x00	0x24	Change a Read or write password
	EnableVerificationRequirement	0x00	0x28	Activate the password security
	DisableVerificationRequirement	0x00	0x26	Disable the password security
ST proprietary	EnablePermanentState	0xA2	0x28	Enable the Read only or Write only security state
	ExtendedReadBinary	0xA2	0xB0	Read data from file

## 5.1 Structure of the command sets

The exchange of data between the RF or the I<sup>2</sup>C host and the M24SR02-Y uses three kinds of data formats, called blocks:

- I-Block: to exchange the command and the response
- R-Block: to exchange positive or negative acknowledgment
- S-Block: to use either the Deselect command or the Frame waiting extension (WTX) command or response.

*Note:* Max WTX value = 0x0B

This section describes the structure of the I-Block, R-block and S-Block. This format is used for the application command set.

## 5.2 I-Block format

The I-Block is used to exchange data between the RF or the I<sup>2</sup>C host and the M24SR02-Y. It is composed of three fields. [Table 15](#) details the I-Block format.

**Table 15. I-Block format**

Name	SoD		Payload	EoD
	PCB	DID	0	CRC
Length	1 byte	1 byte	1 to 251 bytes	2 bytes
PCB field				
DID field (optional)				
RF or I <sup>2</sup> C host to M24SR02-Y: C-APDU M24SR02-Y to RF or I <sup>2</sup> C host: R-APDU				
2 CRC bytes				



**Table 16. PCB field of the I-Block format**

	b7-b6	b5	b4	b3	b2	b1	b0
-	0b00	0	0	X	0	1	X
I-Block							
RFU							
Must be set to 0							
DID field, if bit is set							
Must be set to 0							
Must be set to 1							
Block number							

When the RF or I<sup>2</sup>C host sends a command to the M24SR02-Y the format of the payload is the C-APDU.

When the M24SR02-Y sends a command to the RF or I<sup>2</sup>C host, the format of the payload is the R-APDU.

### 5.2.1 C-APDU: payload format of a command

The C-APDU format is used by the RF or the I<sup>2</sup>C host to send a command to the M24SR02-Y. [Table 17](#) describes its format.

**Table 17. C-APDU format**

Name	Payload field						
	CLA	INS	P1	P2	LC	Data	Le
Length	1 byte	1 byte	1 byte	1 byte	1 byte	Lc byte	1 byte
Class byte 0x00: standard command 0xA2: ST command							
Instruction byte							
Parameter Byte 1							
Parameter Byte 2							
Number of bytes of the Data field							
Data bytes							
Number of bytes to be read in the M24SR02-Y memory							

### 5.2.2 R-APDU: payload format of a response

The M24SR02-Y uses the I-Block format to reply to a command that used the I-Block format. This format is described in [Table 18](#).

**Table 18. R-APDU format**

Name	Payload field		
	Data (optional)	SW1	SW2
Length	Le byte	1 byte	1 byte
Data			
Status byte 1			
Status byte 2			

### 5.3 R-Block format

The R-Block is used to convey positive or negative acknowledgment between the RF or I<sup>2</sup>C host and the M24SR02-Y.

**Table 19. R-Block format**

PCB	CRC
R(ACK) without the DID field: 0xA2 or 0xA3 R(ACK) with the DID field: 0xAA or 0xAB R(NAK) without the DID field: 0xB2 0xB3 R(NAK) with the DID field: 0xBA 0xBB	2 CRC bytes

There are two kinds of R-Blocks:

- R(ACK): the acknowledgment block sent by the RF or I<sup>2</sup>C host or by the M24SR02-Y.
- R(NAK): the non-acknowledgment block sent by the RF or I<sup>2</sup>C host or by the M24SR02-Y.

**Table 20. R-Block detailed format**

	b7-b6	b5	b4	b3	b2	b1	b0
-	0b10	1	X	X	0	1	X
R-Block							
RFU							
1: NAK 0: ACK							
0: DID field is not present 1: DID field is present							
Must be set to 0							
Must be set to 1							
Block number							

### 5.4 S-Block format

The S-Block is used to exchange control information between a reader and a contactless tag.

**Table 21. S-Block format**

NFC frame	SoD			EoD
	PCB	DID	Payload	CRC
Length	1 byte	1 byte	1 to 255 bytes	2 bytes
0xC2: for S(DES) when the DID field is not present 0xCA: for S(DES) when the DID field is present 0xF2: for S(WTX) when the DID field is not present 0xFA: for S(WTX) when the DID field is present				
DID field (optional)				
WTX field <sup>(1)</sup>				
2 CRC bytes				

1. This field is present when b5-b4 bits are set to 0b11 (S-Block is a WTX). see [Table 22](#).

There are two requests using the S-Block format:

- S(DES): the deselect command
- S(DES) is only applicable to RF
- S(WTX): the Waiting frame extension command or response.

A Waiting time extension request occurs, in RF or I<sup>2</sup>C, when the operating time needed by M24SRxx is greater than 9.6 ms.

The WTX field indicates the increase time factor to be used in this command execution (FDTtemp = WTX \* 9.6 ms). The max WTX value is equal to 0x0B.

**Table 22. S-Block detailed format**

	b7-b6	b5-b4	b3	b2	b1	b0
	0b11	X	X	0	1	0
S-Block						
0b00: Deselect 0b11: WTX						
0: DID field is not present 1: DID field is present						
-						
RFU						
RFU						

*Note:* After receiving the deselect command, the session is released and M24SR02-Y enters the Standby power mode. In I<sup>2</sup>C, the session is released after executing the I2C token release sequence.

In response to a RATS command, M24SR02-Y returns FWI parameter (default frame waiting time used); when M24SR02-Y needs more time for a command execution, it requests a frame waiting time extension by responding 0xF2 0xWTX (request waiting time = FWI \* WTX). If the reader accepts M24SR02-Y request, it acknowledges by sending the command 0xF2 0xWTX. The frame waiting time becomes FWI \* WTX for the current command only.

## 5.5 CRC of the I<sup>2</sup>C and RF frame

The two CRC bytes check the data transmission between the RF host or I<sup>2</sup>C host and the M24SR02-Y. For the RF frame, the CRC is computed on all the data bits in the frame, excluding parity bits, SOF and EOF, and the CRC itself.

For the I<sup>2</sup>C frames, the CRC is computed on all data bits of the frame excluding Device select and the CRC itself.

The CRC is as defined in ISO/IEC 13239. The initial register content must be 0x6363 and the register content must not be inverted after calculation.

## 5.6 NFC Forum Type 4 Tag protocol

### 5.6.1 Command set

With the NFC Forum Type 4 Tag protocol, the commands are common to RF and I<sup>2</sup>C.

**Table 23. Command set overview**

Command name	Brief description
NDEF Tag Application Select	Select the NDEF Tag Application
Capability Container Select	Select the capability container (CC) file using the Select command
NDEF Select	Select the NDEF file
System File Select	Select the system file
ReadBinary	Read data from a file
UpdateBinary	Write new data to a file

### 5.6.2 Status and error codes

This section lists the status and the error code of the M24SR02-Y.

**Table 24. Status code of the M24SR02-Y**

-	SW1	SW2	Comment
Value	0x90	0x00	Command completed successfully

**Table 25. Error codes of the M24SR02-Y**

-	SW1	SW2	Comment
Length	1 byte	1 byte	-
Value	0x62	0x80	File overflow (Le error)
Value	0x62	0x82	End of file or record reached before reading Le bytes
Value	0x63	0x00	Password is required
Value	0x63	0xCX	Password is incorrect, X further retries allowed (X = 0, 1, 2)
Value	0x65	0x81	Unsuccessful updating
Value	0x67	0x00	Wrong length
Value	0x69	0x81	Command is incompatible with the file structure
Value	0x69	0x82	Security status not satisfied
Value	0x69	0x84	Reference data not usable
Value	0x6A	0x80	Incorrect parameters Le or Lc
Value	0x6A	0x82	File or application not found
Value	0x6A	0x84	File overflow (Lc error)
Value	0x6A	0x86	Incorrect P1 or P2 values

**Table 25. Error codes of the M24SR02-Y (continued)**

-	SW1	SW2	Comment
Value	0x6D	0x00	INS field not supported
Value	0x6E	0x00	Class not supported

### 5.6.3 NDEF Tag Application Select command

The RF or the I<sup>2</sup>C host must send this command to activate the NDEF Tag Application.

To activate the NDEF Tag Application, the RF host sends the Select command (see [Table 26](#)) in addition to the sequence defined in the NFC Forum digital protocol.

To activate the NDEF Tag Application, the I<sup>2</sup>C host sends the Select command (see [Table 26](#)) in addition to the GetSession or the Kill RF session command.

[Table 26](#) defines the C-APDU of the Select command to select the NDEF Tag Application (called NDEF Tag Application Select).

**Table 26. C-APDU of the NDEF Tag Application Select command**

Name	CLA	INS	P1	P2	Lc	Data	Le
Value	0x00	0xA4	0x04	0x00	0x07	0xD27600 00850101	0x00
Class byte							
Select instruction code							
P1 field							
P2 field							
Number of bytes of data							
Application ID							
Le field							

[Table 27](#) defines the R-APDU of the NDEF Tag Application Select command.

**Table 27. R-APDU of the NDEF Tag Application Select command**

-	Data	SW1	SW2	Comment
Length	-	1 byte	1 byte	-
Value	-	0x90	0x00	Command completed
Value	-	0x6A	0x82	NDEF Tag Application not found
Value	-	0x6D	0x00	Class not supported

### 5.6.4 Capability Container Select command

The RF or I<sup>2</sup>C host uses the Capability Container Select procedure to select the capability container (CC) file.

The CC file is selected when this command returns “command completed” in the R-APDU. [Table 28](#) defines the C-APDU of the Select command to select the CC file (called Capability Container Select).

**Table 28. C-APDU of the Capability Container Select command**

Name	CLA	INS	P1	P2	Lc	Data	Le
Value	0x00	0xA4	0x00	0x0C	0x02	0xE103	-
Class byte							
Select instruction code							
P1 field							
P2 field							
Number of bytes of data							
CC file ID							
-							

[Table 29](#) defines the R-APDU of the CC Select command.

**Table 29. R-APDU of the Capability Container Select command**

-	Data	SW1	SW2	Comment
Length	-	1 byte	1 byte	-
Value	-	0x90	0x00	Command completed
Value	-	0x6A	0x82	File or application not found
Value	-	0x6D	0x00	Class not supported

### 5.6.5 NDEF Select command

The RF or I<sup>2</sup>C host uses the NDEF Select command to select the NDEF file.

The NDEF file is selected when this command returns “command completed” in the R-APDU. [Table 30](#) defines the C-APDU of the Select command to select the NDEF file (called NDEF Select).

In case of a password is required to access the NDEF file, the NDEF Select command will disable any previously granted access rights to this file. The Verify command might be required to access the file.

**Table 30. C-APDU of the NDEF Select command**

Name	CLA	INS	P1	P2	Lc	Data	Le
Value	0x00	0xA4	0x00	0x0C	0x02	0x000X	-
Class byte							
Select instruction code							
P1 field							
P2 field							
Number of bytes of data							
0x0001: first NDEF file							
-							

Table 31 defines the R-APDU of the NDEF Select command.

**Table 31. R-APDU of the NDEF Select command**

-	Data	SW1	SW2	Comment
Length	-	1 byte	1 byte	-
Value	-	0x90	0x00	Command completed
Value	-	0x6A	0x82	File or application not found

### 5.6.6 System File Select command

The RF or I<sup>2</sup>C host uses this command to select the system file.

The System file is selected when this command returns "command completed" in the R-APDU.

Table 32 defines the C-APDU of the command to select the System file (called System Select).

**Table 32. C-APDU of the System File Select command**

Name	CLA	INS	P1	P2	Lc	Data	Le
	0x00	0xA4	0x00	0x0C	0x02	0xE101	-
Class byte							
Select instruction code							
P1 field							
P2 field							
Number of bytes of data							
System file ID							
-							

Table 33 defines the R-APDU of the System File Select command.



**Table 33. R-APDU of the System File Select command**

-	Data	SW1	SW2	Comment
Length	-	1 byte	1 byte	-
Value	-	0x90	0x00	Command completed
Value	-	0x6A	0x82	Capability container not found, no data is returned

### 5.6.7 ReadBinary command

On receiving the ReadBinary command, the M24SR02-Y reads the requested memory field and sends back its value in the R-APDU response.

Before sending a ReadBinary command, a file must be selected by using a Select command.

The Response of the ReadBinary command is successful when the data to be read is within the selected file <sup>(a)</sup>; in other words, when the sum of P1-P2 and Le fields is equal to or lower than the selected file length.

[Table 34](#) defines the ReadBinary command.

**Table 34. C-APDU of the ReadBinary command**

Name	CLA	INS	P1 and P2	Lc	Data	Le
-	0x00	0xB0	2 bytes	-	-	1 byte
Class byte						
Read instruction code						
Offset in the file selected						
-						
-						
Number of bytes to read between $0x01 \leq Le \leq \max(\text{Selected File length}, 0xF6)$						

[Table 35](#) defines the R-APDU of the ReadBinary command.

**Table 35. R-APDU of the ReadBinary command**

-	Data	SW1	SW2	Comment
Length	-	1 byte	1 byte	-
Value	Content read	0x90	Don't care <sup>(1)</sup>	Command completed
Value	-	0x67	0x00	Wrong length
Value	-	0x69	0x82	Security status not satisfied

a. For more details about CC file, refer to [Section 3.1.2: CC file layout](#).  
 For more details about NDEF file, refer to [Section 3.1.3: NDEF file layout](#).  
 For more details about System file, refer to [Section 3.1.4: System file layout](#).

**Table 35. R-APDU of the ReadBinary command (continued)**

-	Data	SW1	SW2	Comment
Value	-	0x6A	0x82	File or application not found
Value	-	0x6E	0x00	Class not supported

1. For more information, please contact your local ST support.

### 5.6.8 UpdateBinary command

On receiving the UpdateBinary command, the M24SR02-Y writes the data field into the selected file and sends back a status in the R-APDU response. If needed, the device will request a timing extension (see [Section 5.4](#)).

Before sending an UpdateBinary command, a file must be selected by issuing a Select command.

[Table 36](#) defines the UpdateBinary command.

**Table 36. C-APDU of the UpdateBinary command**

Name	CLA	INS	P1 and P2	Lc	Data	Le
-	0x00	0xD6	2 bytes	1 byte	Lc bytes	-
Class byte						
Write instruction code						
Offset in the file selected						
Number of bytes of data (0x01 ≤ Lc ≤ 0xF6)						
Data to write in the M24SR02-Y memory						
-						

[Table 37](#) defines the R-APDU of the UpdateBinary command.

**Table 37. R-APDU of the UpdateBinary command**

-	Data	SW1	SW2	Comment
Length	-	1 byte	1 byte	-
Value	-	0x90	0x00	Command completed
Value	-	0x65	0x81	Unsuccessful updating
Value	-	0x67	0x00	Wrong length
Value	-	0x69	0x82	Security status not satisfied
Value	-	0x6A	0x82	File or application not found
Value	-	0x6E	0x00	Class not supported

*Note:* Chaining is not supported on "UpdateBinay" command. For further return codes and definitions, refer to [Status and error codes](#).



## 5.7 ISO/IEC 7816-4 commands

The ISO/IEC 7816-4 command set offers some extended features such as the protection of the NDEF file. This command set is used to manage the right access of the NDEF file.

### 5.7.1 Verify command

The Verify command has two functions:

1. check if a password is required to access to the NDEF file (the LC field = 0x00)
2. check that the password embedded in the Verify command enables the access to the memory (the Lc field = 0x10 and the password is present).

When the Lc field is equal to 0x00, the verify command returns a success code (0x90 00) provided that the access to the NDEF file does not require a password. When the access to the NDEF file is protected, the response to the Verify command returns an error code (0x63 00).

When the Lc field equals 0x10, on receiving the Verify command, the M24SR02-Y compares the requested password with the data contained in the request and reports whether the operation has been successful in the response.

Before sending this command, an NDEF file must be selected by issuing the NDEF Select command. Thus, this command checks the right access condition of the last NDEF file selected.

After a successful command, an access is granted for the whole NDEF file.

[Table 38](#) defines the Verify command.

**Table 38. Verify command format**

Name	CLA	INS	P1 and P2	Lc	Data	Le
-	0x00	0x20	2 bytes	1 byte	Lc bytes	-
Class byte						
Instruction code						
Password identification						
0x0001: Read NDEF password transmit						
0x0002: Write NDEF password transmit						
0x0003: I <sup>2</sup> C password transmit <sup>(1)</sup>						
Other: RFU						
0x00: the password is not present						
0x10: the password is present in the data field						
Password						
-						

1. This code can only be issued by the I<sup>2</sup>C host.

Table 39 defines the R-APDU of the Verify command.

**Table 39. R-APDU of the Verify command**

-	Data	SW1	SW2	Comment
Length	-	1 byte	1 byte	-
Value	-	0x90	0x00	Command completed, the password is correct
Value	-	0x69	0x85	The conditions of use are not satisfied (e.g. no NDEF file was selected)
Value	-	0x69	0x81	Cmd incompatible with file structure
Value	-	0x69	0x82	Security status not satisfied
Value	-	0x6A	0x80	Incorrect parameter in cmd data field
Value	-	0x63	0x00	A password is required
Value	-	0x63	0xCX <sup>(1)</sup>	The password transmitted is incorrect and X encodes the number of further allowed retries.
Value	-	0x6E	0x00	Class not supported

1. At each session, the RF host can check a password 3 times.

### 5.7.2 Change Reference Data command

The Change Reference Data command replaces the read or write password related to the NDEF files previously selected. It can be performed only if the security status satisfies the security attributes for this command.

Before sending this command, the verify command with the correct NDEF write password must be issued. Thus, this command changes the reference data of the NDEF file.

Table 40 defines the Change Reference Data command.

**Table 40. Change reference data command format**

Name	CLA	INS	P1 and P2	Lc	Data	Le
-	0x00	0x24	2 bytes	1 byte	Lc bytes	-
Class byte						
Instruction code						
Password identification 0x0001: Read password transmit 0x0002: Write password transmit 0x0003: I <sup>2</sup> C password transmit <sup>(1)</sup> Other: RFU						
0x10: the password is present in the data field						
NDEF file or I <sup>2</sup> C Password						
-						

1. This code can only be issued by the I<sup>2</sup>C host.



Table 41 defines the R-APDU of the Change Reference Data command.

**Table 41. R-APDU of the Change Reference Data command**

-	Data	SW1	SW2	Comment
Length	0	1 byte	1 byte	-
Value	-	0x90	0x00	Command completed, the access right has been changed
Value	-	0x69	0x81	Command is incompatible with the file structure
Value	-	0x65	0x81	Unsuccessful updating
Value	-	0x69	0x82	Security status not satisfied
Value	-	0x6A	0x80	CC file or System file selected
Value	-	0x6A	0x82	File or application not found
Value	-	0x6A	0x86	Incorrect P1 or P2 values
Value	-	0x6E	0x00	Class not supported

### 5.7.3 Enable Verification Requirement command

The Enable Verification Requirement command activates the protection by password of the NDEF file. When this command is successful, the read or write access to the NDEF file is protected by a 128-bit password. It can be performed only if the security status satisfies the security attributes for this command.

This command can update the right access of the NDEF file by writing into the EEPROM. In this case, the response timing will be around 5 ms.

Before sending this command, the verify command with the correct NDEF write password must be issued. Thus, this command changes the access right of the NDEF file.

Table 42 defines the Enable Verification requirement command.

**Table 42. Enable Verification Requirement command format**

Name	CLA	INS	P1 and P2	Lc	Data	Le
-	0x00	0x28	2 bytes	-	-	-
Class byte						
Instruction code						
New security attributes						
0x0001: Enable the read protection of the NDEF file						
0x0002: Enable the write protection of the NDEF file						
Other: RFU						
-						
-						
-						

The last five bits identify the password sent in the Verify command.

Table 43 defines the R-APDU of the Enable Verification Requirement command.

**Table 43. R-APDU of the Enable Verification Requirement command**

-	Data	SW1	SW2	Comment
Length	0	1 byte	1 byte	-
Value	-	0x90	0x00	Command completed, the password is correct
Value	-	0x69	0x81	Command is incompatible with the file structure
Value	-	0x69	0x82	Security status not satisfied
Value	-	0x6A	0x80	CC file or System file selected
Value	-	0x6A	0x82	File or application not found
Value	-	0x6A	0x86	Incorrect P1 or P2 values

### 5.7.4 Disable Verification Requirement command

The Disable Requirement command deactivates the protection by password of the NDEF file. When this command is successful, the read or write access to the NDEF file is granted without security requirements. It can be performed only if the security status satisfies the security attributes for this command.

Before sending this command, the verify command with the correct NDEF write password must be issued. Thus, this command changes the access right of the NDEF file.

This command can update the right access of the NDEF file by writing into the EEPROM. In this case, the response timing will be around 6 ms.

Table 44 defines the Disable Verification Requirement command.

**Table 44. Disable Verification Requirement command format**

Name	CLA	INS	P1 and P2	Lc	Data	Le
-	0x00	0x26	2 bytes	-	-	-
Class byte						
Instruction code						
New security attributes						
0x0001: Disable the read protection of the NDEF file						
0x0002: Disable the write protection of the NDEF file						
Other: RFU						
-						
-						
-						

Table 45 defines the R-APDU of the Disable Verification Requirement command.

**Table 45. R-APDU of the Disable Verification Requirement command**

-	Data	SW1	SW2	Comment
Length	0	1 byte	1 byte	-
Value	-	0x90	0x00	Command completed, the password is correct
Value	-	0x69	0x81	Command is incompatible with the file structure
Value	-	0x69	0x82	Security status not satisfied
Value	-	0x6A	0x80	CC file or System file selected
Value	-	0x6A	0x82	File or application not found
Value	-	0x6A	0x86	Incorrect P1 or P2 values
Value	-	0x6E	0x00	Class not supported
Value	-	0x65	0x81	Update failed

## 5.8 ST proprietary command set

The RF or I<sup>2</sup>C host can be issued with the command set described in this section.

### 5.8.1 ExtendedReadBinary command

On receiving the ExtendedReadBinary command, the M24SR02-Y reads the requested memory field and sends back its value in the R-APDU response.

Before sending an ExtendedReadBinary command, a file must be selected by issuing an NDEF select command.

The response of the ExtendedReadBinary command will be successful even if the data to be read is beyond the NDEF message. The command returns an error code if the data to be read goes beyond the end of the file.

**Table 46. C-APDU of the ExtendedReadBinary command**

Name	CLA	INS	P1 and P2	Lc	Data	Le
Length	0xA2	0xB0	2 bytes	-	-	1 byte
ST Class byte						
Read instruction code						
Offset in the file selected						
-						
-						
-						
Number of bytes to read between 0x01 ≤ Le ≤ 0xF6						

[Table 47](#) defines the R-APDU of the read binary command.

**Table 47. R-APDU of the ExtendedReadBinary command**

-	Data	SW1	SW2	Comment
Length	Le bytes	1 byte	1 byte	-
Value	Content read	0x90	Don't care <sup>(1)</sup>	Command completed
Value	-	0x67	0x00	Wrong length
Value	-	0x69	0x82	Security status not satisfied
Value	-	0x6A	0x82	File or application not found
Value	-	0x6A	0x86	Incorrect P1 or P2 values
Value	-	0x6E	0x00	Class not supported

1. For more information, please contact your local ST support.

### 5.8.2 EnablePermanentState command

The command configures the NDEF file to the ReadOnly or to the WriteOnly State.

This command can update the right access to the NDEF file by writing into the EEPROM. In this case, the response timing will be around 6 ms.

*Table 48* defines the EnablePermanentState requirement command.

**Table 48. EnablePermanentState command format**

Name	CLA	INS	P1 and P2	Lc	Data	Le
Length	0xA2	0x28	2 bytes	-	-	-
Class byte						
Instruction code						
New security attributes 0x0001: Enable the read protection of the NDEF file 0x0002: Enable the write protection of the NDEF file Other: RFU						
-						
-						
-						
-						

*Table 49* defines the R-APDU of the EnablePermanentState command.

**Table 49. R-APDU table of the EnablePermanentState command**

-	Data	SW1	SW2	Comment
Length	-	1 byte	1 byte	-
Value	-	0x90	0x00	Command completed
Value	-	0x65	0x81	Update failed
Value	-	0x67	0x00	Wrong length





**Table 49. R-APDU table of the EnablePermanentState command (continued)**

-	Data	SW1	SW2	Comment
Value	-	0x69	0x82	Security status not satisfied
Value	-	0x6A	0x80	CC file or System file selected
Value	-	0x6A	0x82	File or application not found
Value	-	0x6A	0x86	Incorrect P1 or P2 values
Value	-	0x6E	0x00	Class not supported

### 5.8.3 DisablePermanentState command

The command configures the NDEF file to the Lock state.

This command can update the right access of the NDEF file by writing into the EEPROM. In this case, the response timing will be around 6 ms. This command is only valid in I<sup>2</sup>C. The SuperUser rights must have been granted to execute the command.

Before sending this command, an NDEF file must be selected by issuing the NDEF Select command.

Table 50 defines the DisablePermanentState requirement command.

**Table 50. DisablePermanentState command format**

Name	CLA	INS	P1 and P2	Lc	Data	Le
Length	0xA2	0x26	2 bytes	-	-	-
Class byte						
Instruction code						
New security attributes						
0x0001: Disable the read protection of the NDEF file						
0x0002: Disable the write protection of the NDEF file						
Other: RFU						
-						
-						
-						

Table 51 defines the R-APDU of the DisablePermanentState command.

**Table 51. R-APDU of the DisablePermanentState command**

-	Data	SW1	SW2	Comment
Length	-	1 byte	1 byte	-
Value	-	0x90	0x00	Command completed
Value	-	0x65	0x81	Update failed
Value	-	0x67	0x00	Wrong length
Value	-	0x69	0x82	Security status not satisfied

**Table 51. R-APDU of the DisablePermanentState command (continued)**

-	Data	SW1	SW2	Comment
Value	-	0x6A	0x80	CC file or System file selected
Value	-	0x6A	0x82	File or application not found
Value	-	0x6A	0x86	Incorrect P1 or P2 values
Value	-	0x6E	0x00	Class not supported

### 5.8.4 UpdateFileType command

This command allows to modify the file type of a selected file to Proprietary file (0x05) or NDEF file (0x04).

NFC Forum compatible tags must configure the file as NDEF file (0x04).

This command is granted only, when application and file are selected and if the file length and access right have previously been set to 0X00h (message invalid, all access rights granted).

This command will update the file type located in the CC file by writing into the EEPROM. In this case, the response timing will be around 6 ms.

[Table 52](#) defines the UpdateFileType command.

**Table 52. UpdateFileType command format**

Name	CLA	INS	P1	P2	Lc	Data	Le
Value	0xA2	0xD6	0x00	0x00	0x01	0x04 or 0x05	-
Class byte							
Select instruction code							
P1 field							
P2 field							
Number of bytes of data							
File type							
-							

[Table 53](#) describes the R-APDU of the UpdateFileType command.

**Table 53. R-APDU of the UpdateFileType command**

-	Data	SW1	SW2	Comment
Length	-	1 byte	1 byte	-
Value	-	0x90	0x00	Command completed
Value	-	0x69	0x82	Security status not satisfied
Value	-	0x6A	0x80	CC file or System file selected

**Table 53. R-APDU of the UpdateFileType command (continued)**

-	Data	SW1	SW2	Comment
Value	-	0x6A	0x82	File or application not found
Value	-	0x6A	0x86	Incorrect P1 or P2 values

### 5.8.5 SendInterrupt command

On receiving the SendInterrupt command, the M24SR02-Y generates a negative pulse on the GPO pin. It starts at the end of the command and ends at the end of the RF response.

Before sending this command, the system file must be selected by issuing the System Select command.

[Table 54](#) defines the SendInterrupt command.

**Table 54. SendInterrupt command format**

-	CLA	INS	P1&P2	Lc	Data	Le
Length	1 byte	1 byte	2 bytes	1 byte	-	-
Value	0xA2	0xD6	0x001E	0x00	-	-

[Table 55](#) describes the R-APDU of the SendInterrupt command.

**Table 55. R-APDU of the SendInterrupt command**

	Data	SW1	SW2	Comment
Length	-	1 byte	1 byte	-
Value	-	0x90	0x00	The interrupt has been sent
Value	-	0x6A	0x80	The GPO is not configured as an interrupt mode
Value	-	0x6A	0x82	File or application not found
Value	-	0x6A	0x86	Incorrect P1 or P2 values
Value	-	0x6E	0x00	Class not supported

### 5.8.6 StateControl command

On receiving the StateControl command with reset value: data 0x00, the M24SR02-Y drives the GPO pin low. On receiving the StateControl command with set value: data 0x01, the M24SR02-Y releases the GPO pin, which returns to HZ.

Before sending this command, the system file must be selected by issuing the System Select command.

[Table 56](#) defines the StateControl command.

**Table 56. StateControl command format**

-	CLA	INS	P1&P2	Lc	Data	Le
Length	1 byte	1 byte	2 bytes	1 byte	-	-
Reset value	0xA2	0xD6	0x001F	0x01	0x00	-
Set value	0xA2	0xD6	0x001F	0x01	0x01	-

**Table 57. R-APDU of the StateControl command**

-	Data	SW1	SW2	Comment
Length	-	1 byte	1 byte	-
Value	-	0x90	0x00	The set or reset has been sent
Value	-	0x6A	0x80	The GPO is not configured in StateControl mode
Value	-	0x6A	0x82	File or application not found
Value	-	0x6A	0x86	Incorrect P1 or P2 values
Value	-	0x6E	0x00	Class not supported

## 5.9 Specific RF command set

This section describes the command set that can be issued only by the RF host.

### 5.9.1 Anticollision command set

[Table 58](#) lists the commands that can be issued only by the RF host. The format of these commands is described in the NFC Forum Digital Protocol specification.

**Table 58. Commands issues by the RF host**

Family command set	Command name	Instruction code
NFC-A technology	ALL_REQ	0x52 <sup>(1)</sup>
	SENS_REQ	0x26 <sup>(1)</sup>
	SDD_REQ	0x93 or 0x95 or 0x97
	SEL_REQ	0x93 or 0x95 or 0x97
	SLP_REQ	0x50

1. Coded on 7 bits.

### 5.9.2 RATS command and ATS response

RATS command and ATS response are used for NFC Forum Type 4A Tag Platform Device Activation (as defined in NFC Forum Digital Protocol specification).

[Table 59](#) details the RATS command. This command must be sent after the anticollision process.



Table 59. RATS command

Name	INS	Param		CRC
Byte field	0xE0	1 byte		2 bytes
Bit field	-	b7-b4	b3-b0	-
Instruction code				
FSDI				
DID (0 ≤ DID ≤ 14)				
2 CRC bytes				

The FSDI field codes the FSD that defines the maximum size that an RF or I<sup>2</sup>C host is able to receive. [Table 60](#) gives the conversion from FSDI to FSD.

Table 60. Conversion from FSDI to FSD

FSDI	0x0	0x1	0x2	0x3	0x4	0x5	0x6	0x7	0x8	0x9h-0xE	0xF
FSD	16	24	32	40	48	64	96	128	256	RFU	256

The DID field defines the value of the addressed M24SR02-Y.

Table 61. ATS response

Name	TL	T0	TA(1)	TB(1)		TC(1)	CRC
Byte field	0x05	0x78	1 byte	1 byte		0x02	2 bytes
Bit field	-	-	-	b8-b5	b4-b1	-	-
Length of the ATS response							
FSCI = 256 bytes							
The maximum ascending data rate is 106 kbps The maximum descending data rate is 106 kbps							
FWI field (9.6 ms when TB = 0x50)							
SFGI field (302 μs when TB = 0x50)							
The DID is supported							
2 CRC bytes							

The FSCI codes the FSC, which stands for the maximum frame size that the M24SR02-Y is able to receive. The M24SR02-Y is able to receive up to 256 bytes of command. If the RF or I<sup>2</sup>C host sends a command with more than 256 bytes, the M24SR02-Y will not be able to treat the command and will not reply.

The FWI, which stands for the frame waiting time integer codes the FWT. This time corresponds to the maximum duration while an RF or I<sup>2</sup>C host must wait before sending the next command.

The SFGI, which stands for the start-up frame guard time is the minimum time that the reader must wait after receiving the response of the M24SR02-Y.

### 5.9.3 PPS command and response

PPS (protocol and parameter selection) command and response are defined in ISO/IEC 14443-4, in the protocol activation of PICC Type A.

The PPS command makes possible to change the data rates of the ascending (RF host to M24SR02-Y) and descending (M24SR02-Y to RF host) data rates.

**Table 62. PPS command**

-	Name	INS		PPS0	PPS1			CRC
	Byte field	0xDX		0x11	1 byte			2 bytes
	Bit field	b7-b4	b3-b0	-	0b0000	b3-b2	b1-b0	-
INS	Instruction code							
	DID							
-	PPS1 is present							
PPS1	RFU							
	Descending data rate							
	Ascending data rate							
-	2 CRC bytes							

The ascending and descending data rates must be coded as described in [Table 63](#).

**Table 63. Ascending and descending data rate coding**

Value	0b00	0b01	0b10	0b11
Data rate	106 kbps	RFU	RFU	RFU

When the M24SR02-Y is able to change both data rates, it returns the following response. The data rate of this response is 106 kbps; then, the M24SR02-Y changes the ascending and descending data rates.

[Table 64](#) gives the details of the PPS response.

**Table 64. PPS response**

Name	INS	-	PPS0
Byte field	0xDX	-	0x11
Bit field	b8-b5	b4-b1	
Response code			
DID field			
2 CRC bytes			



## 5.10 Specific I<sup>2</sup>C command set

[Table 65](#) lists the commands that can only be issued by the I<sup>2</sup>C host.

**Table 65. Specific I<sup>2</sup>C commands**

Command name	Format	Class byte	Instruction code	Brief description
GetI2Csession	-	-	0x26	Open an I <sup>2</sup> C session when the RF session is not ongoing
KillRFsession	-	-	0x52	Kill the RF session and open an I <sup>2</sup> C session

### 5.10.1 GetI2Csession command

The GetI2Csession command opens an I<sup>2</sup>C session if an RF session is not ongoing.

[Table 66](#) defines the GetI2Csession command.

**Table 66. GetI2Csession command format**

-	INS
Length	1 byte
Value	0x26

The GetI2Csession command does not create a reply.

When an RF session is ongoing, the M24SRxx will not acknowledge the command.

When no RF session is ongoing, the M24SRxx will acknowledge the command and open an I<sup>2</sup>C session.

### 5.10.2 KillRFsession command

The KillRF session command closes the RF session and opens an I<sup>2</sup>C session.

[Table 67](#) defines the KillRFsession command.

**Table 67. KillRFsession command format**

-	INS
Length	1 byte
Value	0x52

The KillRFsession command does not create a reply. The RF session is closed when the device acknowledges the command.

**Caution:** A successful completion of the RF command is not certain.

## 6 RF device operation

### 6.1 Anticollision and Device activation command set for the RF interface

The M24SR02-Y device supports the command set defined in the NFC-A Technology and the Type 4A Tag Platform chapters of the NFC Digital Protocol V1.0 specification.

### 6.2 Open an RF session

Once the RF host has terminated the anticollision procedure and retrieve the ATS response, it must send the SelectApplication command. The M24SR02-Y will open an RF session. At this point, the RF host can send the applicative command set and the I<sup>2</sup>C cannot communicate with the M24SR02-Y without closing first the RF session using the I<sup>2</sup>C KillRFsession command.

### 6.3 Close an RF session

The RF host can close the RF session through one of these methods:

- send an S(DES) command
- turn off the RF field.

### 6.4 Applicative command set

The applicative command set is composed of the following command sets:

- the NFC Forum Type 4 Tag command set
- the ISO/IEC 7816-4 command set
- the proprietary command set.



## 7 I<sup>2</sup>C device operation

The M24SR02-Y device supports the I<sup>2</sup>C protocol. The device that controls the data transfer is known as the bus master, and the other one as the slave device. A data transfer can only be initiated by the bus master, which also provides the serial clock for synchronization. The M24SR02-Y device is a slave in all communications.

### 7.1 I<sup>2</sup>C communication protocol

The I<sup>2</sup>C communication is built on a system of command and reply exchange. The I<sup>2</sup>C host starts the communication by sending a request. Once a valid request is received by the M24SR02-Y device, it carries out an internal operation and creates its answer.

As defined in this document, and except for the GetI2C session and Kill RF session commands, the definition of a valid request is a command with a right CRC value.

Figure 12 shows an exchange of a command and a response between the I<sup>2</sup>C host and the M24SR02-Y. Once the I<sup>2</sup>C session is open, the I<sup>2</sup>C host can send a command. The command is composed of:

- a Device Select field with the R/W bit set to 0
- the command field.

The M24SR02-Y acknowledges on the reception of each byte.

Once the M24SR02-Y is ready to send the answer, the I<sup>2</sup>C host must:

- send a Device Select field with the R/W bit set to 1
- release the SDA line and send an SCL clock.

The I<sup>2</sup>C host must acknowledge on the reception of each byte.

**Figure 12. Command and response exchange**



Legend:

- S is the I<sup>2</sup>C Start bit sequence
- P is the I<sup>2</sup>C Stop bit sequence
- R/W is the 8<sup>th</sup> bit of Device Select.

**Note:** A restart during a command and response exchange is not supported by the M24SR02-Y. After a command, the I<sup>2</sup>C host can execute a Polling sequence to determine when the response is available.

*Polling sequence: Loop on < START (S) + DeviceSelect with RW=0 + read NACK/ACK + STOP (P) >*

*The response is available as soon as the M24SR02-Y sends an ACK ( host read will a '0').*

### 7.2 Start condition

A Start condition is identified by a falling edge of serial data (SDA) while the serial clock (SCL) is stable in the high state. A Start condition must precede any data transfer command. The device continuously monitors (except during an instruction processing) the SDA and the SCL for a Start condition, and does not respond unless one is given.

### 7.3 Stop condition

A Stop condition is identified by a rising edge of serial data (SDA) while the serial clock (SCL) is stable and driven high. A Stop condition terminates a command between the device and the bus master.

### 7.4 I<sup>2</sup>C token release sequence

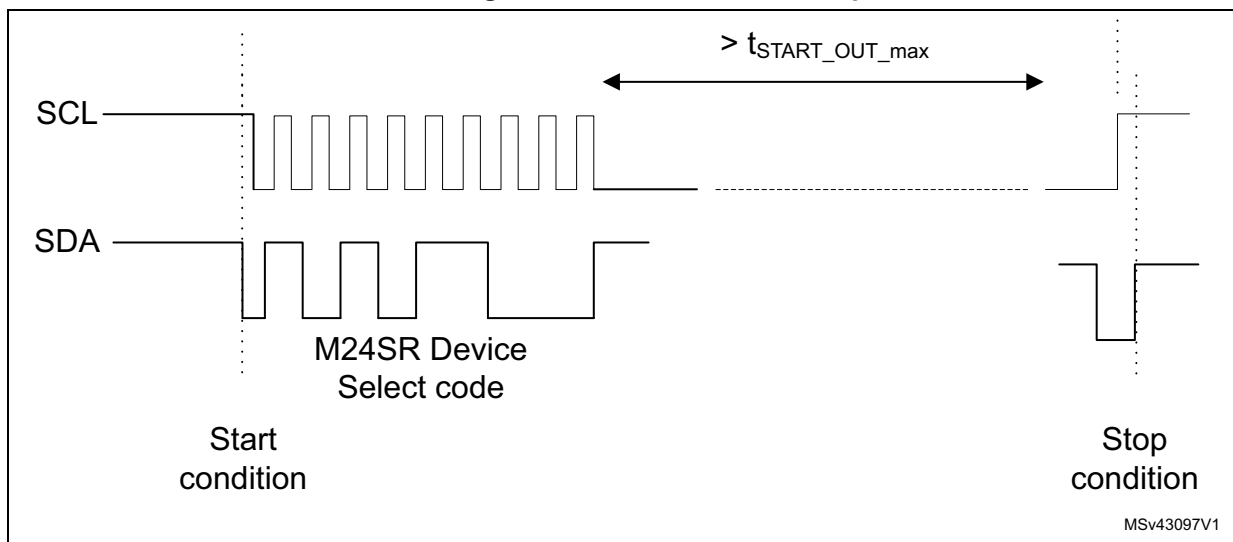
As explained in the M24SR02-Y session mechanism, the I<sup>2</sup>C communication is reserved to the I<sup>2</sup>C host when the session token has the I<sup>2</sup>C value.

The following sequence explains how to release the I<sup>2</sup>C value of the session token.

I<sup>2</sup>C communication with the M24SR02-Y starts with a valid Start condition, followed by a device select code.

If the delay between the Start condition and the following rising edge of the Serial Clock (SCL) that samples the most significant of the Device Select exceeds the  $t_{START\_OUT\_MAX}$  time (see [Table 78](#)), the I<sup>2</sup>C logic block is reset and further incoming data transfer is ignored until the next valid Start condition.

Figure 13. I<sup>2</sup>C token release sequence



**Note:** If the above delay is below  $t_{START\_OUT\_min}$  (see [Table 78](#)), I<sup>2</sup>C session token stays unmodified.  
 If the delay is between  $t_{START\_OUT\_min}$  and  $t_{START\_OUT\_max}$ , I<sup>2</sup>C session token might or not be released. This range of delay is not authorized for safe operation.

## 7.5 I<sup>2</sup>C timeout on clock period

During a data transfer on the I<sup>2</sup>C bus, if the serial clock high pulse or serial clock low pulse exceeds  $t_{CL\_RESET}$  value that is the maximum value specified in [Table 78](#), the I<sup>2</sup>C logic block is reset and any further incoming data transfer is ignored until the next valid Start condition.

If the serial clock high pulse is under the maximum value of  $t_{CHCL}$  and the serial clock low pulse is under the maximum value of  $t_{CLCH}$  in [Table 78](#), the I<sup>2</sup>C logic block is not reset.

For proper operation, the serial clock high pulse must not be higher than  $t_{CHCL}$  and lower than  $t_{CL\_RESET}$ , and the serial clock low pulse must not be higher than  $t_{CHCH}$  and lower than  $t_{CL\_RESET}$ .

## 7.6 Acknowledge bit (ACK)

The acknowledge bit is used to indicate a successful byte transfer. The bus transmitter, whether a bus master or a slave device, releases the serial data (SDA) after sending eight bits of data. During the 9th clock pulse period, the receiver pulls the SDA low to acknowledge the receipt of the eight data bits.

## 7.7 Data input

During data input, the device samples serial data (SDA) on the rising edge of the serial clock (SCL). For a correct device operation, the SDA must be stable during the rising edge of the SCL, and the SDA signal must change only when the SCL is driven low.

## 7.8 I<sup>2</sup>C device address

The device address is the concatenation of the group number coded on 4 bits and the I<sup>2</sup>C address coded on 3 bits, as shown in [Table 68](#).

**Table 68. I<sup>2</sup>C device address format**

	b7-b4	b3	b2	b1	b0
-	0b1010	1	1	0	0bx
Group number					
E2 bit					
E1 bit					
E0 bit					
0 = Request 1 = Answer					

## 7.9 I<sup>2</sup>C frame format

The I<sup>2</sup>C frame is composed of three fields:

1. SOD field: contains the device select and the PCB. The PCB field is detailed in [Section 5.2](#).
2. Payload field: contains the command and its parameter, as defined in the I<sup>2</sup>C command set.
3. EOD field: contains the two CRC bytes computed on the SOD but excluding the device select byte field.

[Table 69](#) shows the format of an I<sup>2</sup>C frame.

**Table 69. I<sup>2</sup>C frame format**

I <sup>2</sup> C frame	SOD		Payload	EOD
	0xAC or 0xAD	1 byte	1 to 251 bytes	2 bytes
Device select 0xAC: to send a request to the M24SR02-Y 0xAD: to read a response of the M24SR02-Y				
PCB field				
I <sup>2</sup> C command or I <sup>2</sup> C answer				
2 CRC bytes				

### 7.9.1 Example of I<sup>2</sup>C frame commands

#### NDEF Tag Application command

This example presents the I<sup>2</sup>C frame of an NDEF Tag Application Select command. The I<sup>2</sup>C frame is detailed in [Table 70](#).

**Table 70. I<sup>2</sup>C host to M24SR02-Y**

Field	SOD		Payload	EOD
Value	0xAC	0x02 or 0x03	Command field	35 C0 or DF BE
Device select				
PCB field				
0x00 A4 04 00 07 D2 76 00 00 85 01 01 00				
2 CRC bytes				

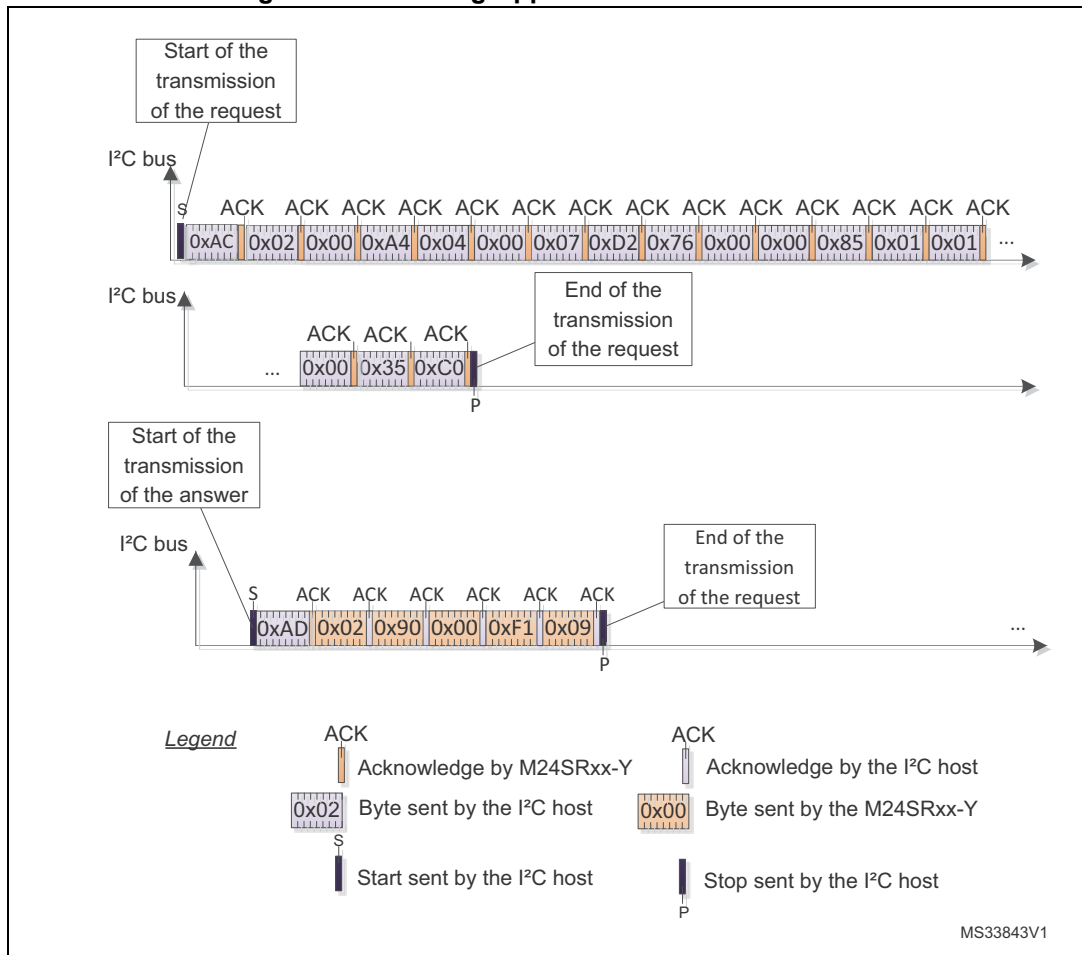
Before sending a new command, the I<sup>2</sup>C host can send an I<sup>2</sup>C frame to read the M24SR02-Y answer to the NDEF tag Application Select command.

Table 71. M24SR02-Y to I<sup>2</sup>C host

Field	SOD		Payload	EOD
	I <sup>2</sup> C host to M24SR02-Y	M24SR02-Y to I <sup>2</sup> C host		
Value	0xAD	0x02 or 0x03	0x90 00	F1 09 or 2D 53
Device select				
PCB field				
I <sup>2</sup> C command				
2 CRC bytes				

Figure 14 shows the I<sup>2</sup>C frame of the NDEF tag Application Select command.

Figure 14. NDEF tag Application Select command



## 7.10 Open an I<sup>2</sup>C session

To open an I<sup>2</sup>C session, the I<sup>2</sup>C host must send either the GetSession command or the KillRFsession command. The GetSession Command opens an I<sup>2</sup>C session if an RF session is not currently opened.

A KillRFsession command closes the current RF session if it exists, and opens an I<sup>2</sup>C session.

When an I<sup>2</sup>C session is opened, the RF host cannot communicate with the M24SR02-Y and cannot close the I<sup>2</sup>C session.

## 7.11 Close the I<sup>2</sup>C session

There are four ways to close an I<sup>2</sup>C session:

- turn off the Vcc power supply
- send the I<sup>2</sup>C token release sequence
- wait for the I<sup>2</sup>C watchdog when it is enabled
- wait for the I<sup>2</sup>C timeout on clock period.

## 8 Functional procedures

This section describes some procedure to access the memory or manage its protection.

### 8.1 Selection of an NDEF message

The RF or I<sup>2</sup>C host must use this procedure to detect the NDEF message inside an M24SR02-Y.

The NDEF detection procedure is as follows:

1. Open an RF or an I<sup>2</sup>C session
2. Send the SelectNDEFTagApplication command
3. Select the CC file
4. Read the CC file
5. Select the NDEF file

### 8.2 Reading of an NDEF message

The RF or I<sup>2</sup>C host executes the NDEF read procedure to read the NDEF file.

1. Detect successfully the NDEF file using the NDEF detection procedure
2. Check that the read access without any security is granted for the NDEF file from the information provided by the CC file
3. Select the NDEF file
4. Read the NDEF file

*Note:* Reading the NDEF file must not go beyond the NDEF Length field (NLEN), which indicates the size of the NDEF message stored in the NDEF file.

### 8.3 Reading a locked NDEF file

The RF or I<sup>2</sup>C host executes this procedure to read an NDEF file that has been previously locked.

1. Select the NDEF Tag Application
2. Select the NDEF file
3. Verify the Read password by using the Verify command
4. Read the data in the NDEF file

## 8.4 Locking an NDEF file

The RF or I<sup>2</sup>C host executes this procedure to protect an NDEF file.

1. Select the NDEF Tag Application
2. Check the right access provided by the CC file
3. Select the NDEF file
4. Transmit the NDEF file Write password by using the Verify command
5. Lock the NDEF file by sending the Enable verification command.

## 8.5 Unlocking an NDEF file

The RF or I<sup>2</sup>C host executes this procedure to unlock an NDEF file that has been previously locked.

1. Select the NDEF Tag Application
2. Select the NDEF file
3. Verify the NDEF file Write password or the I<sup>2</sup>C password by using the Verify command
4. Unlock the NDEF file by sending the Disable verification command.

## 8.6 Reaching the read-only state for an NDEF file

The RF or I<sup>2</sup>C host executes this procedure to reach the read-only state for an NDEF file.

1. Select the NDEF Tag Application
2. Select the NDEF file
3. Transmit the NDEF file Write password or the I<sup>2</sup>C password by using the Verify command
4. Send an EnablePermanentState command as the Write access right of the previous Select NDEF file.

## 8.7 Changing an NDEF password procedure

The RF or I<sup>2</sup>C host could use this procedure to change one NDEF password. it can be a Read or Write password.

1. Select the NDEF Tag Application
2. Select the NDEF file
3. Transmit the NDEF file Write password or the I<sup>2</sup>C password by using the Verify command
4. Change the password by sending a ChangeReferenceData command.



## 8.8 Changing a File type Procedure

The RF or I<sup>2</sup>C host executes this procedure to change the File Type of a file for which all access rights were previously granted.

1. Select the NDEF Tag Application
2. Select the File to be modified
3. Set the File Length to 0x00 using the UpdateBinary command
4. Send an UpdateFileType command with the New file Type as data.

## 8.9 Updating an NDEF file

When there's enough space in the file to update it with new content, the following steps must be followed to update the NDEF message:

1. Select the NDEF Tag Application
2. Select the NDEF file
3. Unlock the NDEF file if necessary
4. Write the NDEF length to 0x0000 with the Update Binary command.
5. Write the NDEF message in the NDEF message field using one or more Update Binary commands.
6. Write the NDEF length of the NDEF message using the Update Update command.

It is recommended the NDEF length is read back and checked against the desired value to ensure the Update sequence has been correctly performed.

## 9 UID: unique identifier

The M24SR02-Y is uniquely identified by a 7-byte unique identifier (UID). The UID is a read-only code and comprises:

- the IC manufacturer code on 1 byte (0x02 for STMicroelectronics)
- the product code on 1 byte
- a device number on 5 bytes.

[Table 72](#) describes the UID format.

**Table 72. UID format**

-	0x02	0x82	5 bytes
IC manufacturer code			
M24SR02-Y product code			
Device number			

## 10 Maximum ratings

Stressing the device above the ratings listed in [Table 73](#) may cause permanent damage to the device. These are stress ratings only and operation of the device at these or any other conditions above those indicated in the operating sections of this specification is not implied. Exposure to absolute maximum rating conditions for extended periods may affect the device reliability.

**Table 73. Absolute maximum ratings**

Symbol	Parameter		Min.	Max.	Unit
$T_A$	Ambient operating temperature		-40	85	°C
$T_{STG}$ , $h_{STG}$ , $t_{STG}$	Storage conditions	Sawn wafer on UV tape	15	25	°C
				9 <sup>(1)</sup>	months
		Kept in its original packing form			
$T_{STG}$	Storage temperature	UFD8FN8, SO8, TSSOP8	-65	150	°C
$T_{STG}$	Storage temperature	Sawn bumped wafer (kept in its antistatic bag)	15	25	°C
	Storage time			9	months
$T_{LEAD}$	Lead temperature during soldering	UFD8FN8, SO8, TSSOP8	See note <sup>(2)</sup>		°C
$V_{IO}$	I <sup>2</sup> C input or output range and GPO		-0.50	6.5	V
$I_{CC}$ <sup>(3)</sup>	RF supply current AC0 - AC1		-	100	mA
$V_{MAX\_1}$ <sup>(3)</sup>	RF input voltage amplitude between AC0 and AC1, GND pad left floating	VAC0-VAC1	-	10	V
$V_{MAX\_2}$ <sup>(3)</sup>	AC voltage between AC0 and GND, or AC1 and GND	VAC0-GND or VAC1-GND	-0.5	4.5	V
$V_{ESD}$	Electrostatic discharge voltage (human body model) <sup>(4)</sup>	AC0-AC1	-	1000	V
$V_{ESD}$	Electrostatic discharge voltage (human body model) <sup>(4)</sup>	Other pads	-	3500	V

1. Counted from ST shipment date.
2. Compliant with JEDEC Std J-STD-020D (for small body, Sn-Pb or Pb assembly), the ST ECOPACK 7191395 specification, and the European directive on Restrictions on Hazardous Substances (ROHS directive 2011/65/EU, July 2011).
3. Based on characterization, not tested in production. Maximum adsorbed power = 100 mW @ 7.5 A/m
4. AEC-Q100-002 (compliant with JEDEC Std JESD22-A114A, C1 = 100 pF, R1 = 1500 Ω, R2 = 500 Ω)

# 11 I<sup>2</sup>C DC and AC parameters

This section summarizes the operating and measurement conditions, and the DC and AC characteristics of the device in I<sup>2</sup>C mode. The parameters in the DC and AC characteristic tables that follow are derived from tests performed under the measurement conditions summarized in the relevant tables. Designers must check that the operating conditions in their circuit match the measurement conditions when relying on the quoted parameters.

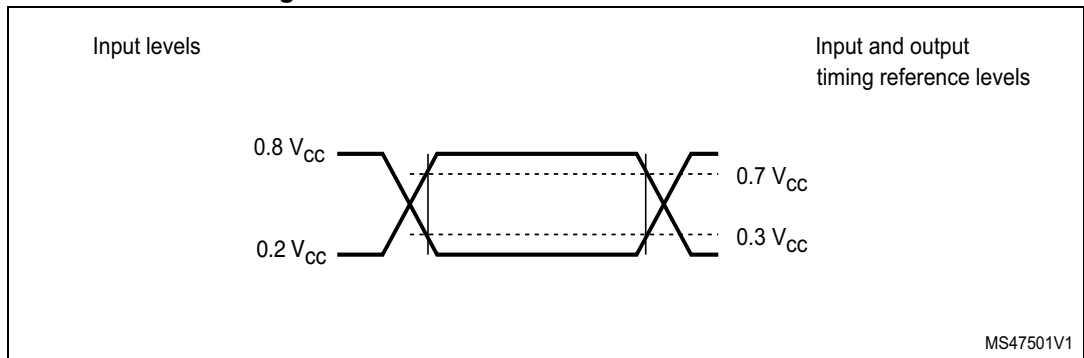
**Table 74. I<sup>2</sup>C operating conditions**

Symbol	Parameter	Min.	Max.	Unit
V <sub>CC</sub>	Supply voltage	2.7	5.5	V
T <sub>A</sub>	Ambient operating temperature	- 40	85	°C

**Table 75. AC test measurement conditions**

Symbol	Parameter	Min.	Max.	Unit
C <sub>L</sub>	Load capacitance	100		pF
t <sub>r</sub> , t <sub>f</sub>	Input rise and fall times	-	50	ns
V <sub>hi-lo</sub>	Input levels	0.2 V <sub>CC</sub> to 0.8 V <sub>CC</sub>		V
V <sub>ref(t)</sub>	Input and output timing reference levels	0.3 V <sub>CC</sub> to 0.7 V <sub>CC</sub>		V

**Figure 15. AC test measurement I/O waveform**



**Table 76. Input parameters**

Symbol	Parameter	Min.	Max.	Unit
C <sub>IN</sub>	Input capacitance (SDA)	-	8	pF
C <sub>IN</sub>	Input capacitance (other pins)	-	6	pF
t <sub>NS</sub>	Pulse width ignored (Input filter on SCL and SDA)	-	80	ns

Table 77. I<sup>2</sup>C DC characteristics

Symbol	Parameter	Test condition	Min.	Max.	Unit
I <sub>LI</sub>	Input leakage current (SCL, SDA)	V <sub>IN</sub> = V <sub>SS</sub> or V <sub>CC</sub> device in Standby mode	-	± 2	µA
I <sub>LO</sub>	Output leakage current	SDA in Hi-Z, external voltage applied on SDA: V <sub>SS</sub> or V <sub>CC</sub>	-	± 2	µA
I <sub>CC0</sub>	Standby power mode supply current	V <sub>CC</sub> = 3.3 V, with RF ON	-	30	µA
		V <sub>CC</sub> = 3.3 V, with RF OFF	-	5	
		V <sub>CC</sub> = 5.5 V, with RF ON <sup>(1)</sup>	-	30	
		V <sub>CC</sub> = 5.5 V, with RF OFF	-	5	
I <sub>CC1</sub>	Supply current (I <sup>2</sup> C Session open)	V <sub>CC</sub> = 3.3 V, with RF ON	-	150	µA
		V <sub>CC</sub> = 3.3 V, with RF OFF	-	150	
		V <sub>CC</sub> = 5.5 V, with RF ON	-	150	
		V <sub>CC</sub> = 5.5 V, with RF OFF	-	150	
I <sub>CC2</sub>	Supply current <sup>(2)</sup> (Read binary)	V <sub>CC</sub> = 3.3 V (f <sub>C</sub> = 1 MHz), with RF ON <sup>(3)</sup>	-	250	µA
		V <sub>CC</sub> = 3.3 V (f <sub>C</sub> = 1 MHz), with RF OFF <sup>(3)</sup>	-	200	
		V <sub>CC</sub> = 5.5 V (f <sub>C</sub> = 1 MHz), with RF ON <sup>(3)</sup>	-	250	
		V <sub>CC</sub> = 5.5 V (f <sub>C</sub> = 1 MHz), with RF OFF <sup>(3)</sup>	-	200	
I <sub>CC3</sub>	Supply current <sup>(2)</sup> (Update binary)	V <sub>CC</sub> = 3.3 V (f <sub>C</sub> = 1 MHz), with RF ON <sup>(3)</sup>	-	550	µA
		V <sub>CC</sub> = 3.3 V (f <sub>C</sub> = 1 MHz), with RF OFF <sup>(3)</sup>	-	500	
		V <sub>CC</sub> = 5.5 V (f <sub>C</sub> = 1 MHz), with RF ON <sup>(3)</sup>	-	550	
		V <sub>CC</sub> = 5.5 V (f <sub>C</sub> = 1 MHz), with RF OFF <sup>(3)</sup>	-	500	
V <sub>IL</sub>	Input low voltage (SDA, SCL)	V <sub>CC</sub> = 2.7 V V <sub>CC</sub> = 5.5 V	-0.45	0.3 V <sub>CC</sub>	V
V <sub>IH</sub>	Input high voltage (SDA, SCL)	V <sub>CC</sub> = 2.7 V V <sub>CC</sub> = 5.5 V	0.7 V <sub>CC</sub>	6.5	V
V <sub>IL</sub>	Input low voltage (RF disable)	V <sub>CC</sub> = 2.7 V V <sub>CC</sub> = 5.5 V	-	0.45	V
V <sub>IH</sub>	Input high voltage (RF disable)	V <sub>CC</sub> = 2.7 V V <sub>CC</sub> = 5.5 V	1.4	-	V
V <sub>OL</sub>	Output low voltage (SDA)	I <sub>OL</sub> = 3 mA, V <sub>CC</sub> = 5.5 V	-	0.4	V
	Output low voltage (GPO)	I <sub>OL</sub> = 1 mA, V <sub>CC</sub> = 2.7 to 5.5 V	-	0.4	V

1. When an RF session is Opened, I<sub>CC</sub> corresponds to the standby power mode.
2. Characterized only.
3. Input levels as defined in [Figure 15](#).

Table 78. I<sup>2</sup>C AC characteristics (400 kHz)

Test conditions specified in <a href="#">Table 74</a> (preliminary data based on design simulations)					
Symbol	Alt.	Parameter	Min.	Max.	Unit
$f_C$	$f_{SCL}$	Clock frequency	0.05	400	kHz
$t_{CHCL}^{(1)}$	$t_{HIGH}$	Clock pulse width high	0.6	20000	$\mu$ s
$t_{CLCH}^{(2)}$	$t_{LOW}$	Clock pulse width low	1.3	20000	$\mu$ s
$t_{CL\_reset}$	-	Clock reset	40000	-	$\mu$ s
$t_{XH1XH2}$	$t_R$	Input signal rise time	(3)	(3)	ns
$t_{XL1XL2}$	$t_F$	Input signal fall time	(3)	(3)	ns
$t_{DL1DL2}$	$t_F$	SDA (out) fall time	20	300	ns
$t_{DXCX}$	$t_{SU:DAT}$	Data in set up time	100	-	ns
$t_{CLDX}$	$t_{HD:DAT}$	Data in hold time	0	-	ns
$t_{CLQX}^{(4)}$	$t_{DH}$	Data out hold time	100	-	ns
$t_{CLQV}^{(5)}$	$t_{AA}$	Clock low to next data valid (access time)	-	900	ns
$t_{CHDX}^{(6)}$	$t_{SU:STA}$	Start condition set up time	600	-	ns
$t_{DLCL}$	$t_{HD:STA}$	Start condition hold time	600	-	ns
$t_{CHDH}$	$t_{SU:STO}$	Stop condition set up time	600	-	ns
$t_{DHDL}$	$t_{BUF}$	Time between Stop condition and next Start condition	1300	-	ns
$t_W$	$t_{WR}$	I <sup>2</sup> C write time in one page	-	5	ms
		I <sup>2</sup> C write time up to 246 bytes	-	90	ms
$t_{NS}^{(7)}$	-	Pulse width ignored (input filter on SCL and SDA)	-	80	ns
$t_{START\_OUT}$	-	Delay for I <sup>2</sup> C token release	20	40	ms

- $t_{CHCL}$  timeout.
- $t_{CLCH}$  timeout.
- There is no min. or max. value for the input signal rise and fall times. It is however recommended by the I<sup>2</sup>C specification that the input signal rise and fall times be more than 20 ns and less than 300 ns when  $f_C < 400$  kHz.
- To avoid spurious Start and Stop conditions, a minimum delay is placed between SCL=1 and the falling or rising edge of SDA.
- $t_{CLQV}$  is the time (from the falling edge of SCL) required by the SDA bus line to reach  $0.8V_{CC}$  in a compatible way with the I<sup>2</sup>C specification (which specifies  $t_{SU:DAT}$  (min) = 100 ns), assuming that the  $R_{bus} \times C_{bus}$  time constant is less than 500 ns (as specified in [Figure 16](#)).
- For a restart condition, or following a write cycle.
- Characterized only, not tested in production.

Table 79. I<sup>2</sup>C AC characteristics (1 MHz)

Test conditions specified in <a href="#">Table 74</a> (preliminary data based on design simulations)					
Symbol	Alt.	Parameter	Min.	Max.	Unit
$f_C$	$f_{SCL}$	Clock frequency	0.05	1000	kHz
$t_{CHCL}^{(1)}$	$t_{HIGH}$	Clock pulse width high	260	-	ns
$t_{CLCH}^{(2)}$	$t_{LOW}$	Clock pulse width low	500	-	ns
$t_{XH1XH2}$	$t_R$	Input signal rise time	(3)	(3)	ns
$t_{XL1XL2}$	$t_F$	Input signal fall time	(3)	(3)	ns
$t_{DL1DL2}$	$t_F$	SDA (out) fall time	20	120	ns
$t_{DXCX}$	$t_{SU:DAT}$	Data in set up time	50	-	ns
$t_{CLDX}$	$t_{HD:DAT}$	Data in hold time	0	-	ns
$t_{CLQX}$	$t_{DH}$	Data out hold time	100	-	ns
$t_{CLQV}^{(4)(5)}$	$t_{AA}$	Clock low to next data valid (access time)	-	450	ns
$t_{CHDX}^{(6)}$	$t_{SU:STA}$	Start condition set up time	250	-	ns
$t_{DLCL}$	$t_{HD:STA}$	Start condition hold time	250	-	ns
$t_{CHDH}$	$t_{SU:STO}$	Stop condition set up time	250	-	ns
$t_{DHDL}$	$t_{BUF}$	Time between Stop condition and next Start condition	500	-	ns
$t_W$	$t_{WR}$	I <sup>2</sup> C write time in one page	-	5	ms
		I <sup>2</sup> C write time up to 246 bytes	-	90	ms
$t_{NS}^{(7)}$	-	Pulse width ignored (input filter on SCL and SDA)	-	80	ns

1.  $t_{CHCL}$  timeout.
2.  $t_{CLCH}$  timeout.
3. There is no min. or max. value for the input signal rise and fall times. It is however recommended by the I<sup>2</sup>C specification that the input signal rise and fall times be less than 120 ns when  $f_C < 1$  MHz.
4. To avoid spurious Start and Stop conditions, a minimum delay is placed between SCL = 1 and the falling or rising edge of SDA.
5.  $t_{CLQV}$  is the time (from the falling edge of SCL) required by the SDA bus line to reach  $0.8V_{CC}$  in a compatible way with the I<sup>2</sup>C specification (which specifies  $t_{SU:DAT}(\text{min}) = 100$  ns), assuming that the  $R_{bus} \times C_{bus}$  time constant is less than 500 ns (as specified in [Figure 16](#)).
6. For a reStart condition, or following a write cycle.
7. Characterized only, not tested in production.

Figure 16. I<sup>2</sup>C AC waveforms





### 11.1 I<sup>2</sup>C timing measurement condition

Figure 17 represents the maximum  $R_{bus}$  value versus bus parasitic capacitance ( $C_{bus}$ ) for an I<sup>2</sup>C bus at maximum frequency  $f_C = 400$  kHz.

Figure 17. Maximum  $R_{bus}$  value with  $f_C = 400$  kHz



Figure 18 represents the Maximum  $R_{bus}$  value versus bus parasitic capacitance ( $C_{bus}$ ) for an I<sup>2</sup>C bus at maximum frequency  $f_C = 1$  MHz.

Figure 18. Maximum  $R_{bus}$  value with  $f_C = 1$  MHz

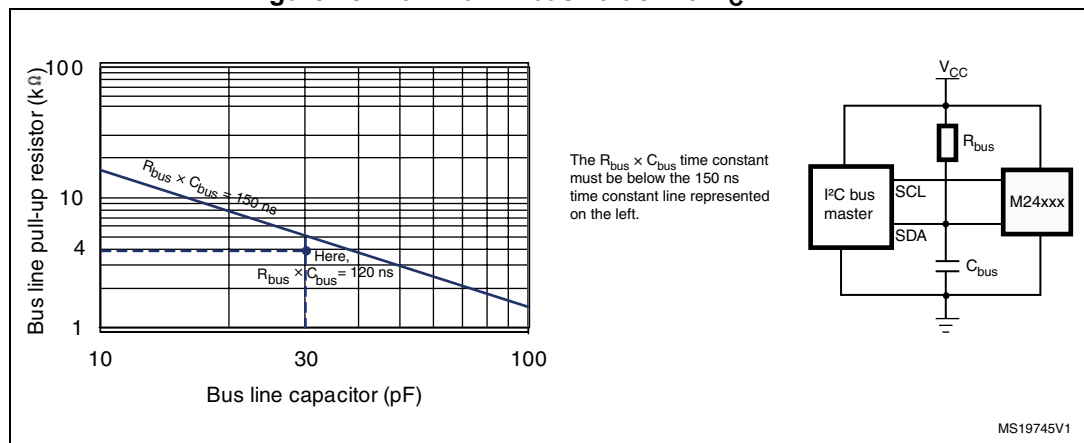


Figure 19. I<sup>2</sup>C bus protocol



Table 80. Device select code

Device type identifier <sup>(1)</sup>				Chip Enable address			RW
b7	b6	b5	b4	b3	b2	b1	b0
1	0	1	0	1	1	0	RW

1. The most significant bit, b7, is sent first.

## 12 GPO parameters

This section lists the timing of the GPO according to its configuration.

**Table 81. GPO timings measurement <sup>(1)</sup>**

GPO field		I/F	Condition	Command	Symbol	Typ.	Unit
Session open	0xX1	I <sup>2</sup> C	GPO low when session active	Kill session	CmdSTPtoGPlow	15 <sup>(2)</sup>	μs
				Get session		15 <sup>(2)</sup>	
	0x1X	I <sup>2</sup> C	GPO return HZ	I <sup>2</sup> C token release sequence	AnswerlbBtoGPHZ	105	ns
		RF	GPO low when session active	NDEF select	CmdEOFtoGPlow	170	μs
	RF	GPO return HZ	Deselect	CmdEOFtoGPHZ	370		
WIP	0xX2	I <sup>2</sup> C	GPO low when programming	Update Binary	CmdSTPtoGPlow	45	μs
		I <sup>2</sup> C			Writing time duration (No time extension)	5	ms
	0x2X	RF	GPO low when programming	Update Binary	CmdEOFtoGPlow	75	μs
		RF			Writing time duration (No time extension)	5	ms
Answer ready	0xX3	I <sup>2</sup> C	GPO low when a command is computed	ReadBinary or UpdateBinary	CmdSTPtoGPlow	55 or 5	μs ms
		I <sup>2</sup> C	GPO return HZ on new command	All commands	After NewCmdlbFB or AnswerlbFB	105	ns
Message in progress	0x3X	RF	GPO low when modifying NDEF	UpdateBinary (Msg Length #0)	CmdEOFtoGPlow	75	μs
		RF	GPO low when modifying NDEF	UpdateBinary	Writing time duration (No time extension)	5	ms
Interrupt	0xX4	I <sup>2</sup> C	GPO low after receiving an Interrupt command	SendInterrupt	CmdSTPtoGPlow	50	μs
		I <sup>2</sup> C	GPO return HZ	All commands	After NewCmdlbFB or AnswerlbFB	105	ns
	0x4X	RF	GPO low after receiving an Interrupt command	SendInterrupt	CmdEOFtoGPlow	75	μs
		RF			Pulse duration	540	

**Table 81. GPO timings measurement <sup>(1)</sup> (continued)**

GPO field		I/F	Condition	Command	Symbol	Typ.	Unit
State control	0xX5	I <sup>2</sup> C	GPO low when reset	Reset GPO	CmdSTPtoGPlow	40	μs
		I <sup>2</sup> C	GPO return HZ when set	Set GPO	CmdSTPtoGPHZ	40	
	0x5X	RF	GPO low when reset	Reset GPO	CmdEOFtoGPlow	60	
		RF	GPO return HZ when set	Set GPO	CmdEOFtoGPHZ	60	
RF busy	0x6X	RF	GPO low after receiving an RF command	Anticollision command or start of RF disturb (command using another RF protocol)	CmdSOFtoGPlow	6	
		RF	GPO return HZ after deselection or RF command in another protocol	Deselect or end of RF disturb (command using another RF protocol)	CmdEOFtoGPHZ	460	

1. Characterized only.
2. Add 100 μs for boot after POR.

## 13 Write cycle definition

**Table 82. Write cycle definition<sup>(1)</sup>**

Symbol	Parameter	Test Conditions	Min	Max	Units
Ncycle	Write cycle endurance <sup>(2)</sup>	$T_A \leq 25\text{ }^\circ\text{C}, V_{CC(\min)} < V_{CC} < V_{CC(\max)}$	-	1,000,000	Write cycle
		$T_A \leq 85\text{ }^\circ\text{C}, V_{CC(\min)} < V_{CC} < V_{CC(\max)}$	-	600,000	

1. A write cycle is calculated per byte, and corresponds to a write to this byte.
2. Write cycle endurance is defined by characterization and qualification.

## 14 RF electrical parameters

This section summarizes the operating and measurement conditions, and the DC and AC characteristics of the device in RF mode.

The parameters in the following tables are derived from tests performed under the measurement conditions summarized in the relevant tables. Designers have to check that the operating conditions in their circuit match the measurement conditions when relying on the quoted parameters.

**Table 83. Default operating conditions**

Symbol	Parameter	Min.	Max.	Unit
$T_A$	Ambient operating temperature	-40	85	°C

**Table 84. RF characteristics (1)**

Symbol	Parameter	Condition	Min	Typ	Max	Unit
$f_C$	External RF signal frequency		13.553	13.560	13.567	MHz
$H_{ISO}$	Operating field according to ISO	$T_A = 0\text{ °C to }50\text{ °C}$	1500	-	7500	mA/m
$H_{Extended}$	Operating field in extended temperature range	$T_A = -40\text{ °C to }85\text{ °C}$	500	-	7500	mA/m
$MI_{CARRIER}$	100% carrier modulation index	$MI=(A-B)/(A+B)$	90	-	100	%
$t_1$	Pause A length	-	$28 / f_C$	-	$40.5 / f_C$	μs
$t_2$	Pause A low time	-	$7 / f_C$	-	$t_1$	
$t_3$	Pause A rise time	-	$1.5 \times t_4$	-	$16 / f_C$	
$t_4$	Pause A rise time section	-	0	-	$6 / f_C$	
$t_{MIN CD}$	Minimum time from carrier generation to first data	From H-field min	-	-	5	ms
$W_t$	RF write time (including internal verify) for one page	-	-	6	-	
$C_{TUN}$	Internal tuning capacitor in SO8 (2)	$f_C = 13.56\text{ MHz}$	22.5	25	27.5	pF
$t_{RF\_OFF}$	RF OFF time	Chip reset	-	-	5	ms

- All timing characterizations are performed on a reference antenna with the following characteristics:  
 External size: 75 mm x 48 mm  
 Number of turns: 6  
 Width of conductor: 0.6 mm  
 Space between two conductors: 0.6 mm  
 Value of the tuning capacitor in SO8: 25 pF (M24SR02-Y)  
 Value of the coil: 5 μH  
 Tuning frequency: 14.2 MHz.
- Characterized only, at room temperature only, measured at VAC0-VAC1 = 2 V peak to peak at 13.56 MHz.

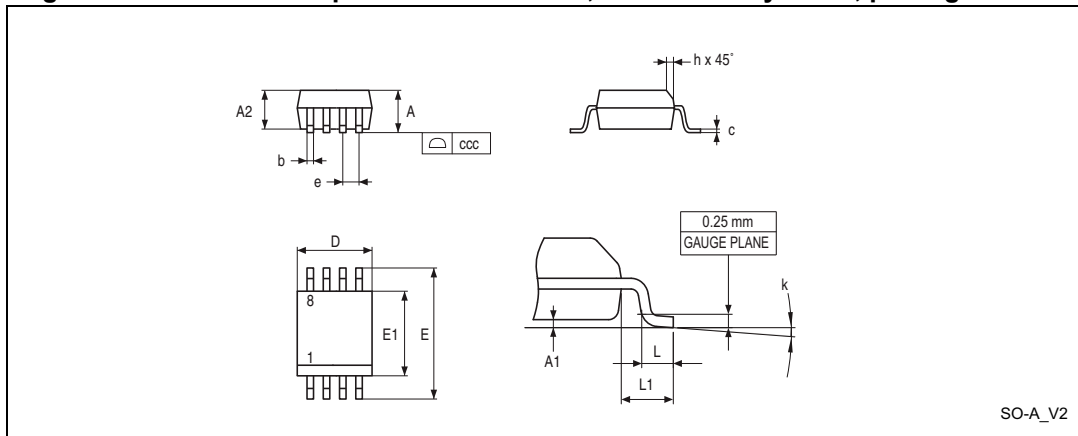
## 15 Package information

In order to meet environmental requirements, ST offers these devices in different grades of ECOPACK packages, depending on their level of environmental compliance. ECOPACK specifications, grade definitions and product status are available at: [www.st.com](http://www.st.com).

ECOPACK is an ST trademark.

### 15.1 SO8N package information

Figure 20. SO8N - 8-lead plastic small outline, 150 mils body width, package outline



1. Drawing is not to scale.

Table 85. SO8N - 8-lead plastic small outline, 150 mils body width, package data

Symbol	millimeters			inches <sup>(1)</sup>		
	Min	Typ	Max	Min	Typ	Max
A	-	-	1.750	-	-	0.0689
A1	0.100	-	0.250	0.0039	-	0.0098
A2	1.250	-		0.0492	-	-
b	0.280	-	0.480	0.0110	-	0.0189
c	0.170	-	0.230	0.0067	-	0.0091
D	4.800	4.900	5.000	0.1890	0.1929	0.1969
E	5.800	6.000	6.200	0.2283	0.2362	0.2441
E1	3.800	3.900	4.000	0.1496	0.1535	0.1575
e	-	1.270	-	-	0.0500	-
h	0.250	-	0.500	0.0098	-	0.0197
k	0°	-	8°	0°	-	8°
L	0.400	-	1.270	0.0157	-	0.0500

**Table 85. SO8N - 8-lead plastic small outline, 150 mils body width, package data (continued)**

Symbol	millimeters			inches <sup>(1)</sup>		
	Min	Typ	Max	Min	Typ	Max
L1	-	1.040	-	-	0.0409	-
ccc	-	-	0.100	-	-	0.0039

1. Values in inches are converted from mm and rounded to four decimal digits.

**Figure 21. SO8N - 8-lead plastic small outline, 150 mils body width, package recommended footprint**

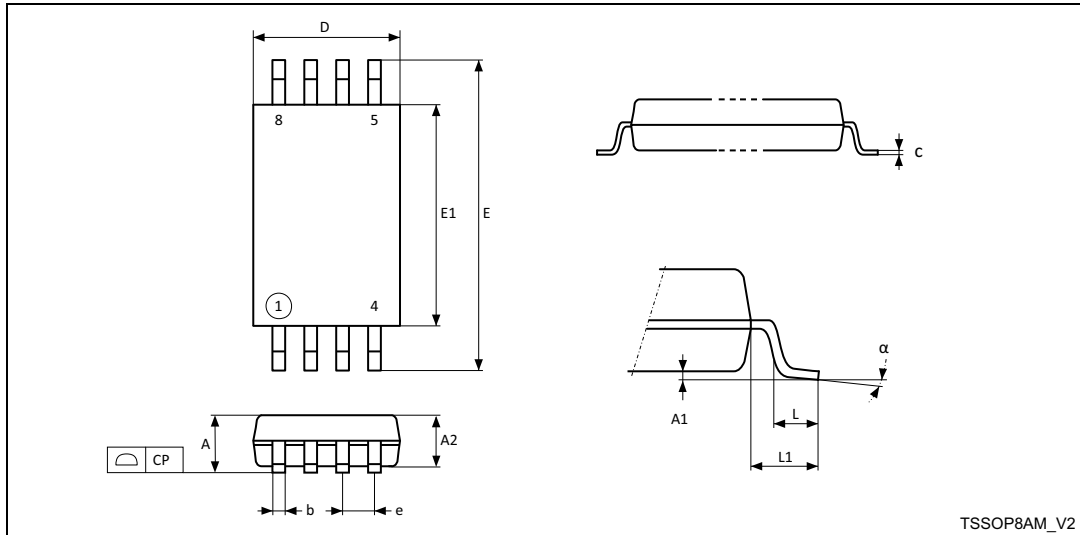


07\_SO8N\_FP\_V1



## 15.2 TSSOP8 package information

Figure 22. TSSOP8 – 8-lead thin shrink small outline, 3 x 6.4 mm, 0.65 mm pitch, package outline



1. Drawing is not to scale.

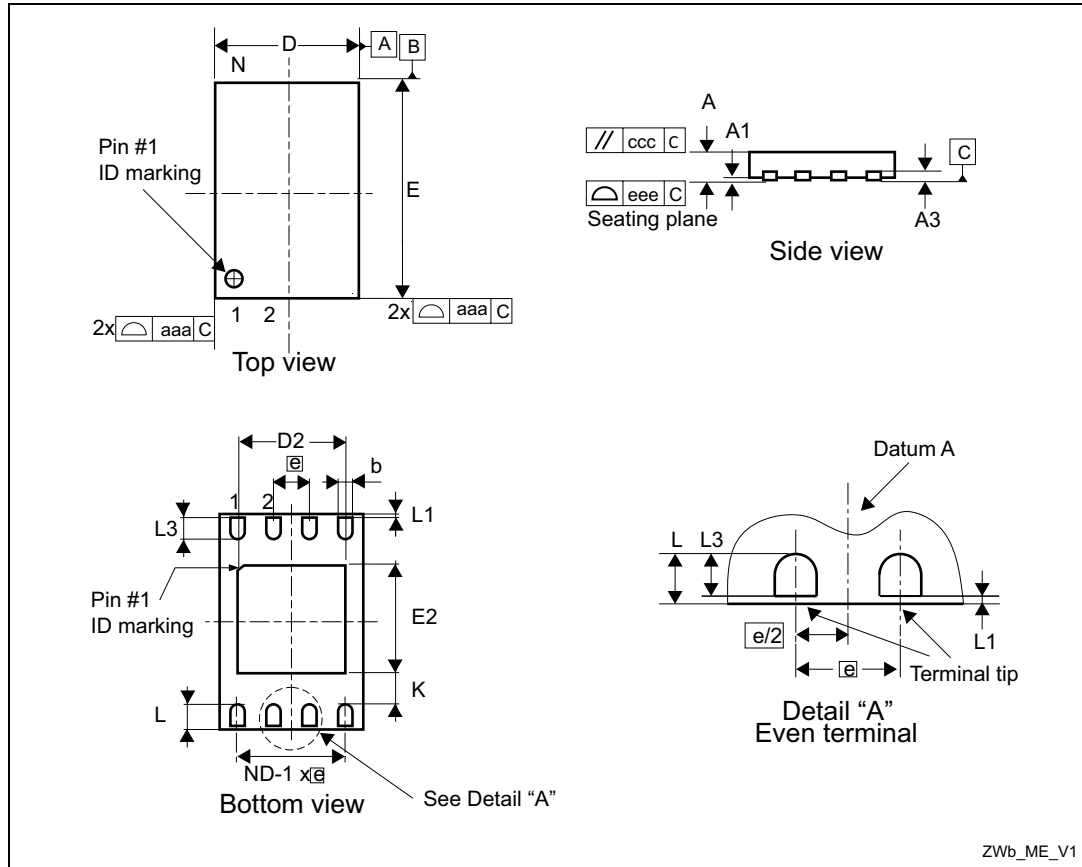
Table 86. TSSOP8 – 8-lead thin shrink small outline, 3 x 6.4 mm, 0.65 mm pitch, package mechanical data

Symbol	millimeters			inches <sup>(1)</sup>		
	Typ	Min	Max	Typ	Min	Max
A	-	-	1.200	-	-	0.0472
A1	0.050	-	0.150	0.0020	-	0.0059
A2	0.800	1.000	1.050	0.0315	0.0394	0.0413
b	0.190	-	0.300	0.0075	-	0.0118
c	0.090	-	0.200	0.0035	-	0.0079
CP	-	-	0.100	-	-	0.0039
D	2.900	3.000	3.100	0.1142	0.1181	0.1220
e	-	0.650	-	-	0.0256	-
E	6.200	6.400	6.600	0.2441	0.2520	0.2598
E1	4.300	4.400	4.500	0.1693	0.1732	0.1772
L	0.450	0.600	0.750	0.0177	0.02636	0.0295
L1	-	1.000	-	-	0.0394	-
$\alpha$	0°		8°	0°	-	8°

1. Values in inches are converted from mm and rounded to four decimal digits.

### 15.3 UFDFPN8 package information

Figure 23. UFDFPN8 - 8-lead, 2 x 3 mm, 0.5 mm pitch ultra thin profile fine pitch dual flat package outline



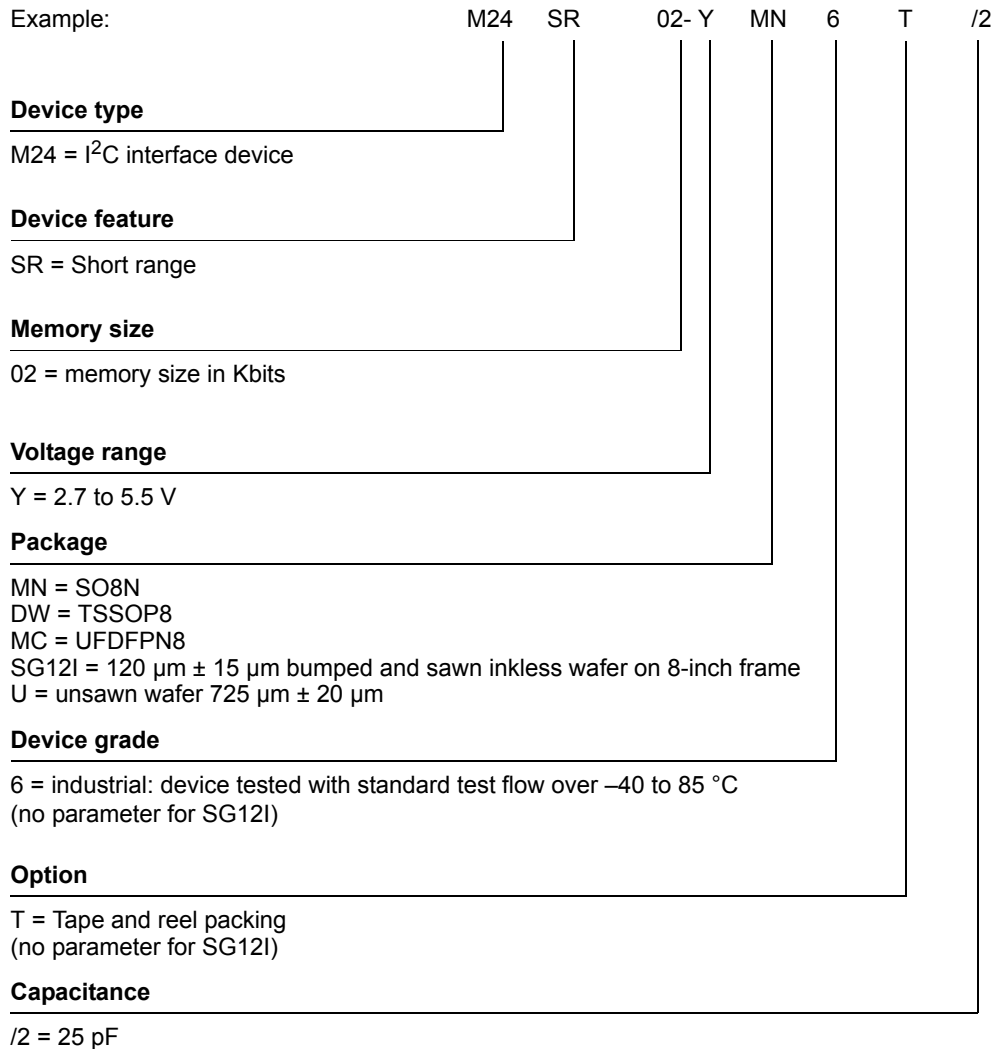
1. Max package warpage is 0.05 mm.
2. Exposed copper is not systematic and can appear partially or totally according to the cross section.
3. Drawing is not to scale.
4. The central pad (the area  $E2$  by  $D2$  in the above illustration) must be either connected to  $V_{SS}$  or left floating (not connected) in the end application.

**Table 87. UFDFPN8 - 8- lead, 2 x 3 mm, 0.5 mm pitch ultra thin profile fine pitch dual flat package mechanical data**

Symbol	millimeters			inches <sup>(1)</sup>		
	Min	Typ	Max	Min	Typ	Max
A	0.450	0.550	0.600	0.0177	0.0217	0.0236
A1	0.000	0.020	0.050	0.0000	0.0008	0.0020
b <sup>(2)</sup>	0.200	0.250	0.300	0.0079	0.0098	0.0118
D	1.900	2.000	2.100	0.0748	0.0787	0.0827
D2 (rev MC)	1.200	-	1.600	0.0472	-	0.0630
E	2.900	3.000	3.100	0.1142	0.1181	0.1220
E2 (rev MC)	1.200	-	1.600	0.0472	-	0.0630
e	-	0.500	-	-	0.0197	-
K (rev MC)	0.300	-	-	0.0118	-	-
L	0.300	-	0.500	0.0118	-	0.0197
L1	-	-	0.150	-	-	0.0059
L3	0.300	-	-	0.0118	-	-
aaa	-	-	0.150	-	-	0.0059
bbb	-	-	0.100	-	-	0.0039
ccc	-	-	0.100	-	-	0.0039
ddd	-	-	0.050	-	-	0.0020
eee <sup>(3)</sup>	-	-	0.080	-	-	0.0031

1. Values in inches are converted from mm and rounded to four decimal digits.
2. Dimension b applies to plated terminal and is measured between 0.15 and 0.30 mm from the terminal tip.
3. Applied for exposed die paddle and terminals. Exclude embedded part of exposed die paddle from measuring.

# 16 Ordering information



**Note:** *Parts marked as “ES”, “E” or accompanied by an Engineering Sample notification letter, are not yet qualified and therefore not approved for use in production. ST is not responsible for any consequences resulting from such use. In no event will ST be liable for the customer using any of these engineering samples in production. ST Quality has to be contacted prior to any decision to use these Engineering samples to run qualification activity.*



# 17 Revision history

**Table 88. Document revision history**

Date	Revision	Changes
29-Oct-2013	1	Initial release.
09-Nov-2013	2	Added a note to <a href="#">Section 7.1: I2C communication protocol</a> below <a href="#">Figure 12: Command and response exchange</a> .
20-Dec-2013	3	<p>Changed the datasheet status from "Preliminary data" to "Production data".</p> <p>Restored the whole content of <a href="#">Table 77: I2C DC characteristics</a>.</p> <p>Updated the capacitor values in <a href="#">Section 2.5.1: Operating supply voltage VCC</a>.</p> <p>Removed bullet (4) from <a href="#">Section 8.6: Reaching the read-only state for an NDEF file</a>.</p> <p>Updated <math>V_{ESD}</math> value in <a href="#">Table 73: Absolute maximum ratings</a>, <math>I_{CC}</math> values in <a href="#">Table 77: I2C DC characteristics</a>, and <math>H_{Extended}</math> value in <a href="#">Table 84: RF characteristics</a>.</p> <p>Added details to "S(WTX)" bullet in <a href="#">Section 5.4: S-Block format</a>.</p> <p>Added sentences to <a href="#">Section 5.6.8: UpdateBinary command</a> and to <a href="#">Section 5.8.3: DisablePermanentState command</a>.</p> <p>Changed '0x001E' value into '0x001F' in <a href="#">Table 56: StateControl command format</a>.</p> <p>Updated values in <a href="#">Table 61: ATS response</a>.</p> <p>Added Note (4) to <a href="#">Figure 10: Changing the read access right to an NDEF file</a> and <a href="#">Figure 11: Changing the write access right to an NDEF file</a>.</p>
28-Feb-2014	4	<p>Updated <a href="#">Figure 5: GPO configured as I2C answer ready (GPO field = 0xX3)</a> and <a href="#">Figure 8: GPO configured as State control (GPO field = 0xX5 or 0x5X)</a>.</p> <p>Added I<sup>2</sup>C text to the Note below <a href="#">Table 22: S-Block detailed format</a>.</p> <p>Edited the third paragraph of <a href="#">Section 5.8.1: ExtendedReadBinary command</a>.</p> <p>Added <a href="#">Section 5.8.4: UpdateFileType command</a> and <a href="#">Section 8.8: Changing a File type Procedure</a>.</p> <p>Updated bullet 3 in <a href="#">Section 7.9: I<sup>2</sup>C frame format</a>, and the Payload row of <a href="#">Table 70: I2C host to M24SR02-Y</a>. Updated bullet 2 in <a href="#">Section 7.11: Close the I<sup>2</sup>C session</a>.</p> <p>Edited <math>V_{IO}</math> row and removed <math>V_{ESD}</math> (machine model) row from <a href="#">Table 73: Absolute maximum ratings</a>.</p> <p>Updated <math>I_{CC}</math> rows and added a Note to <a href="#">Table 77: I2C DC characteristics</a>.</p> <p>Updated <a href="#">Figure 20: SO8N - 8-lead plastic small outline, 150 mils body width, package outline</a>.</p> <p>Fixed a typo in <a href="#">Figure 23: UFDFPN8 - 8-lead, 2 x 3 mm, 0.5 mm pitch ultra thin profile fine pitch dual flat package outline</a> title: UFDFPN8 changed into UFDFPN8.</p>

Table 88. Document revision history (continued)

Date	Revision	Changes
04-Jun-2014	5	<p>Added data for automotive grade in <a href="#">Table 6: Field list</a> and <a href="#">Table 72: UID format</a></p> <p>Added WFDFPN8 package for automotive grade under qualification</p> <p>Added <a href="#">Figure 24: WFDFPN8 (MLP8) 8-lead, 2 x 3 mm, 0.5 mm pitch very thin fine pitch dual flat package outline</a></p> <p>Added <a href="#">Table 88: WFDFPN8 8-lead thin fine pitch dual flat package no lead mechanical data</a></p> <p>Added MF = WFDFPN8 inside <a href="#">Table 88: Ordering information scheme for packaged devices</a></p> <p>Inserted byte &lt;04&gt; between A4 and 00 inside <a href="#">Table 26: C-APDU of the NDEF Tag Application Select command</a></p>
04-May-2016	6	<p>Added</p> <ul style="list-style-type: none"> <li>– <a href="#">Table 7: Details about I2C watchdog</a></li> <li>– <a href="#">Table 82: Write cycle definition</a></li> <li>– <a href="#">Section 13: Write cycle definition</a></li> </ul> <p>Updated:</p> <ul style="list-style-type: none"> <li>– <a href="#">Features</a></li> <li>– <a href="#">Section 2.7.6: State control configuration (GPO field = 0xX5 or 0x5X)</a></li> <li>– <a href="#">Table 73: Absolute maximum ratings</a></li> <li>– <a href="#">Table 74: I2C operating conditions</a></li> </ul>
08-Aug-2016	7	<p>Updated:</p> <ul style="list-style-type: none"> <li>– <a href="#">Section 2.7.1: Session Open configuration (GPO field = 0xX1 or 0x1X)</a></li> <li>– <a href="#">Section 4.2.2: I2C token</a></li> <li>– <a href="#">Section 7.4: I<sup>2</sup>C token release sequence</a></li> <li>– <a href="#">Figure 13: I<sup>2</sup>C token release sequence</a></li> <li>– <a href="#">Section 7.5: I<sup>2</sup>C timeout on clock period</a></li> <li>– <a href="#">Section 7.11: Close the I<sup>2</sup>C session</a></li> <li>– <a href="#">Table 78: I2C AC characteristics (400 kHz)</a></li> <li>– <a href="#">Table 81: GPO timings measurement</a></li> </ul>
04-Oct-2016	8	<p>Updated:</p> <ul style="list-style-type: none"> <li>– <a href="#">Section 3.2.2: Changing the read access right to NDEF files</a></li> <li>– <a href="#">Section 3.2.3: Changing the write access right to NDEF files</a></li> <li>– <a href="#">Section 5.6.5: NDEF Select command</a></li> <li>– <a href="#">Section 5.8.4: UpdateFileType command</a></li> <li>– <a href="#">Section 5.8.5: SendInterrupt command</a></li> <li>– <a href="#">Section 8.2: Reading of an NDEF message</a></li> <li>– <a href="#">Section 8.5: Unlocking an NDEF file</a></li> <li>– <a href="#">Section 8.6: Reaching the read-only state for an NDEF file</a></li> <li>– <a href="#">Section 16: Ordering information</a></li> </ul>
23-Nov-2016	9	<p>Updated:</p> <ul style="list-style-type: none"> <li>– <a href="#">Table 35: R-APDU of the ReadBinary command</a></li> <li>– <a href="#">Table 47: R-APDU of the ExtendedReadBinary command</a></li> </ul>

Table 88. Document revision history (continued)

Date	Revision	Changes
07-Feb-2017	10	Added: – Note 4, on <a href="#">Figure 23.: UFDFPN8 - 8-lead, 2 x 3 mm, 0.5 mm pitch ultra thin profile fine pitch dual flat package outline</a> Updated: – <a href="#">Table 88: Ordering information scheme for packaged devices</a>
02-Oct-2017	11	Updated: – <a href="#">Table 6: Field list</a> – <a href="#">Table 20: R-Block detailed format</a> – <a href="#">Table 72: UID format</a> – <a href="#">Table 74: I2C operating conditions</a> – <a href="#">Table 78: I2C AC characteristics (400 kHz)</a> – <a href="#">Table 86: TSSOP8 – 8-lead thin shrink small outline, 3 x 6.4 mm, 0.65 mm pitch, package mechanical data</a> – <a href="#">Table 88: Ordering information scheme for packaged devices</a> – <a href="#">Figure 10: Changing the read access right to an NDEF file</a> – <a href="#">Figure 11: Changing the write access right to an NDEF file</a> – <a href="#">Figure 15: AC test measurement I/O waveform</a> – <a href="#">Figure 16: I2C AC waveforms</a> – <a href="#">Figure 19: I2C bus protocol</a> – <a href="#">Figure 22: TSSOP8 – 8-lead thin shrink small outline, 3 x 6.4 mm, 0.65 mm pitch, package outline</a> – <a href="#">Section 16: Ordering information</a>
04-Apr-2019	12	Updated <a href="#">Features, Section 7.11: Close the I<sup>2</sup>C session</a> and note in <a href="#">Section 16: Ordering information</a> . Updated <a href="#">Table 7: Details about I2C watchdog</a> and <a href="#">Table 81: GPO timings measurement</a> . Updated footnote 5 of <a href="#">Table 78</a> and footnote 5 of <a href="#">Table 79</a> . Minor text edits across the whole document.

**IMPORTANT NOTICE – PLEASE READ CAREFULLY**

STMicroelectronics NV and its subsidiaries (“ST”) reserve the right to make changes, corrections, enhancements, modifications, and improvements to ST products and/or to this document at any time without notice. Purchasers should obtain the latest relevant information on ST products before placing orders. ST products are sold pursuant to ST’s terms and conditions of sale in place at the time of order acknowledgement.

Purchasers are solely responsible for the choice, selection, and use of ST products and ST assumes no liability for application assistance or the design of Purchasers’ products.

No license, express or implied, to any intellectual property right is granted by ST herein.

Resale of ST products with provisions different from the information set forth herein shall void any warranty granted by ST for such product.

ST and the ST logo are trademarks of ST. For additional information about ST trademarks, please refer to [www.st.com/trademarks](http://www.st.com/trademarks). All other product or service names are the property of their respective owners.

Information in this document supersedes and replaces information previously supplied in any prior versions of this document.

© 2019 STMicroelectronics – All rights reserved



单击下面可查看定价，库存，交付和生命周期等信息

[>>STMicroelectronics\(意法半导体\)](#)