


## Ultra-low-power Arm<sup>®</sup> Cortex<sup>®</sup>-M4 32-bit MCU+FPU, 100DMIPS, 1MB Flash, 128KB SRAM, USB OTG FS, LCD, ext. SMPS, AES

Datasheet - production data

### Features

- Ultra-low-power with FlexPowerControl
    - 1.71 V to 3.6 V power supply
    - -40 °C to 85/105/125 °C temperature range
    - 300 nA in V<sub>BAT</sub> mode: supply for RTC and 32x32-bit backup registers
    - 30 nA Shutdown mode (5 wakeup pins)
    - 120 nA Standby mode (5 wakeup pins)
    - 420 nA Standby mode with RTC
    - 1.1 µA Stop 2 mode, 1.4 µA with RTC
    - 100 µA/MHz run mode (LDO Mode)
    - 39 µA/MHz run mode (@3.3 V SMPS Mode)
    - Batch acquisition mode (BAM)
    - 4 µs wakeup from Stop mode
    - Brown out reset (BOR)
    - Interconnect matrix
  - Core: Arm<sup>®</sup> 32-bit Cortex<sup>®</sup>-M4 CPU with FPU, Adaptive real-time accelerator (ART Accelerator™) allowing 0-wait-state execution from Flash memory, frequency up to 80 MHz, MPU, 100DMIPS and DSP instructions
  - Performance benchmark
    - 1.25 DMIPS/MHz (Drystone 2.1)
    - 273.55 CoreMark<sup>®</sup> (3.42 CoreMark/MHz @ 80 MHz)
  - Energy benchmark
    - 294 ULPMark™ CP score
    - 106 ULPMark™ PP score
  - Clock Sources
    - 4 to 48 MHz crystal oscillator
    - 32 kHz crystal oscillator for RTC (LSE)
    - Internal 16 MHz factory-trimmed RC (±1%)
    - Internal low-power 32 kHz RC (±5%)
    - Internal multispeed 100 kHz to 48 MHz oscillator, auto-trimmed by LSE (better than ±0.25 % accuracy)
    - 3 PLLs for system clock, USB, audio, ADC
- 

LQFP144 (20 × 20)  
 LQFP100 (14 × 14)  
 LQFP64 (10 × 10)

UFBGA132  
 (7 × 7)

WLCSP72
- Up to 114 fast I/Os, most 5 V-tolerant, up to 14 I/Os with independent supply down to 1.08 V
  - RTC with HW calendar, alarms and calibration
  - LCD 8× 40 or 4× 44 with step-up converter
  - Up to 24 capacitive sensing channels: support touchkey, linear and rotary touch sensors
  - 16x timers: 2x 16-bit advanced motor-control, 2x 32-bit and 5x 16-bit general purpose, 2x 16-bit basic, 2x low-power 16-bit timers (available in Stop mode), 2x watchdogs, SysTick timer
  - Memories
    - 1 MB Flash, 2 banks read-while-write, proprietary code readout protection
    - 128 KB of SRAM including 32 KB with hardware parity check
    - External memory interface for static memories supporting SRAM, PSRAM, NOR and NAND memories
    - Quad SPI memory interface
  - 4x digital filters for sigma delta modulator
  - Rich analog peripherals (independent supply)
    - 3x 12-bit ADC 5 Msps, up to 16-bit with hardware oversampling, 200 µA/Msps
    - 2x 12-bit DAC output channels, low-power sample and hold
    - 2x operational amplifiers with built-in PGA
    - 2x ultra-low-power comparators
  - AES: 128/256-bit key encryption hardware accelerator
  - 20x communication interfaces
    - USB OTG 2.0 full-speed, LPM and BCD
    - 2x SAs (serial audio interface)
    - 3x I2C FM+(1 Mbit/s), SMBus/PMBus
    - 5x USARTs (ISO 7816, LIN, IrDA, modem)

- 1x LPUART (Stop 2 wake-up)
- 3x SPIs (and 1x Quad SPI)
- CAN (2.0B Active) and SDMMC interface
- SWPMI single wire protocol master I/F
- IRTIM (Infrared interface)
- 14-channel DMA controller
- True random number generator
- CRC calculation unit, 96-bit unique ID
- Development support: serial wire debug (SWD), JTAG, Embedded Trace Macrocell™
- All packages are ECOPACK2® compliant

**Table 1. Device summary**

| Reference   | Part numbers  |
|-------------|---|
| STM32L486xx | STM32L486JG, STM32L486QG, STM32L486RG, STM32L486VG, STM32L486ZG |

# Contents

|          |  |           |
|----------|--|-----------|
| <b>1</b> | <b>Introduction</b> .....                                      | <b>13</b> |
| <b>2</b> | <b>Description</b> .....                                       | <b>14</b> |
| <b>3</b> | <b>Functional overview</b> .....                               | <b>18</b> |
| 3.1      | Arm® Cortex®-M4 core with FPU .....                            | 18        |
| 3.2      | Adaptive real-time memory accelerator (ART Accelerator™) ..... | 18        |
| 3.3      | Memory protection unit .....                                   | 18        |
| 3.4      | Embedded Flash memory .....                                    | 19        |
| 3.5      | Embedded SRAM .....  | 20        |
| 3.6      | Firewall .....   | 20        |
| 3.7      | Boot modes .....   | 21        |
| 3.8      | Cyclic redundancy check calculation unit (CRC) .....           | 21        |
| 3.9      | Power supply management .....                                  | 21        |
| 3.9.1    | Power supply schemes .....                                     | 21        |
| 3.9.2    | Power supply supervisor .....                                  | 23        |
| 3.9.3    | Voltage regulator .....  | 24        |
| 3.9.4    | Low-power modes .....  | 24        |
| 3.9.5    | Reset mode .....   | 33        |
| 3.9.6    | VBAT operation .....   | 33        |
| 3.10     | Interconnect matrix .....                                      | 34        |
| 3.11     | Clocks and startup .....                                       | 36        |
| 3.12     | General-purpose inputs/outputs (GPIOs) .....                   | 39        |
| 3.13     | Direct memory access controller (DMA) .....                    | 39        |
| 3.14     | Interrupts and events .....                                    | 40        |
| 3.14.1   | Nested vectored interrupt controller (NVIC) .....              | 40        |
| 3.14.2   | Extended interrupt/event controller (EXTI) .....               | 40        |
| 3.15     | Analog to digital converter (ADC) .....                        | 41        |
| 3.15.1   | Temperature sensor .....                                       | 41        |
| 3.15.2   | Internal voltage reference (VREFINT) .....                     | 42        |
| 3.15.3   | VBAT battery voltage monitoring .....                          | 42        |
| 3.16     | Digital to analog converter (DAC) .....                        | 42        |

- 3.17 Voltage reference buffer (VREFBUF) ..... 43
- 3.18 Comparators (COMP) ..... 44
- 3.19 Operational amplifier (OPAMP) ..... 44
- 3.20 Touch sensing controller (TSC) ..... 44
- 3.21 Liquid crystal display controller (LCD) ..... 45
- 3.22 Digital filter for Sigma-Delta Modulators (DFSDM) ..... 45
- 3.23 Random number generator (RNG) ..... 47
- 3.24 Advanced encryption standard hardware accelerator (AES) ..... 47
- 3.25 Timers and watchdogs ..... 48
  - 3.25.1 Advanced-control timer (TIM1, TIM8) ..... 48
  - 3.25.2 General-purpose timers (TIM2, TIM3, TIM4, TIM5, TIM15, TIM16, TIM17) ..... 49
  - 3.25.3 Basic timers (TIM6 and TIM7) ..... 49
  - 3.25.4 Low-power timer (LPTIM1 and LPTIM2) ..... 49
  - 3.25.5 Infrared interface (IRTIM) ..... 50
  - 3.25.6 Independent watchdog (IWDG) ..... 50
  - 3.25.7 System window watchdog (WWDG) ..... 50
  - 3.25.8 SysTick timer ..... 50
- 3.26 Real-time clock (RTC) and backup registers ..... 51
- 3.27 Inter-integrated circuit interface (I<sup>2</sup>C) ..... 52
- 3.28 Universal synchronous/asynchronous receiver transmitter (USART) ... 53
- 3.29 Low-power universal asynchronous receiver transmitter (LPUART) ... 54
- 3.30 Serial peripheral interface (SPI) ..... 55
- 3.31 Serial audio interfaces (SAI) ..... 55
- 3.32 Single wire protocol master interface (SWPMI) ..... 56
- 3.33 Controller area network (CAN) ..... 56
- 3.34 Secure digital input/output and MultiMediaCards Interface (SDMMC) ... 57
- 3.35 Universal serial bus on-the-go full-speed (OTG\_FS) ..... 57
- 3.36 Flexible static memory controller (FSMC) ..... 58
- 3.37 Quad SPI memory interface (QUADSPI) ..... 59
- 3.38 Development support ..... 60
  - 3.38.1 Serial wire JTAG debug port (SWJ-DP) ..... 60
  - 3.38.2 Embedded Trace Macrocell™ ..... 60
- 4 Pinouts and pin description ..... 61**



|          |  |            |
|----------|--|------------|
| <b>5</b> | <b>Memory mapping</b> .....  | <b>101</b> |
| <b>6</b> | <b>Electrical characteristics</b> .....  | <b>106</b> |
| 6.1      | Parameter conditions .....   | 106        |
| 6.1.1    | Minimum and maximum values .....   | 106        |
| 6.1.2    | Typical values .....   | 106        |
| 6.1.3    | Typical curves .....   | 106        |
| 6.1.4    | Loading capacitor .....  | 106        |
| 6.1.5    | Pin input voltage .....  | 106        |
| 6.1.6    | Power supply scheme .....  | 107        |
| 6.1.7    | Current consumption measurement .....  | 109        |
| 6.2      | Absolute maximum ratings .....   | 109        |
| 6.3      | Operating conditions .....   | 112        |
| 6.3.1    | General operating conditions .....   | 112        |
| 6.3.2    | Operating conditions at power-up / power-down .....                            | 113        |
| 6.3.3    | Embedded reset and power control block characteristics .....                   | 114        |
| 6.3.4    | Embedded voltage reference .....   | 116        |
| 6.3.5    | Supply current characteristics .....   | 118        |
| 6.3.6    | Wakeup time from low-power modes and voltage scaling<br>transition times ..... | 145        |
| 6.3.7    | External clock source characteristics .....                                    | 147        |
| 6.3.8    | Internal clock source characteristics .....                                    | 152        |
| 6.3.9    | PLL characteristics .....  | 157        |
| 6.3.10   | Flash memory characteristics .....   | 158        |
| 6.3.11   | EMC characteristics .....  | 160        |
| 6.3.12   | Electrical sensitivity characteristics .....                                   | 161        |
| 6.3.13   | I/O current injection characteristics .....                                    | 162        |
| 6.3.14   | I/O port characteristics .....   | 163        |
| 6.3.15   | NRST pin characteristics .....   | 169        |
| 6.3.16   | Extended interrupt and event controller input (EXTI) characteristics ..        | 170        |
| 6.3.17   | Analog switches booster .....  | 170        |
| 6.3.18   | Analog-to-Digital converter characteristics .....                              | 171        |
| 6.3.19   | Digital-to-Analog converter characteristics .....                              | 184        |
| 6.3.20   | Voltage reference buffer characteristics .....                                 | 189        |
| 6.3.21   | Comparator characteristics .....   | 191        |
| 6.3.22   | Operational amplifiers characteristics .....                                   | 192        |
| 6.3.23   | Temperature sensor characteristics .....                                       | 196        |

|          |   |            |
|----------|---|------------|
| 6.3.24   | V <sub>BAT</sub> monitoring characteristics | 196        |
| 6.3.25   | LCD controller characteristics              | 197        |
| 6.3.26   | DFSDM characteristics                       | 199        |
| 6.3.27   | Timer characteristics                       | 200        |
| 6.3.28   | Communication interfaces characteristics    | 202        |
| 6.3.29   | FSMC characteristics                        | 215        |
| 6.3.30   | SWPMI characteristics                       | 232        |
| <b>7</b> | <b>Package information</b>                  | <b>233</b> |
| 7.1      | LQFP144 package information                 | 233        |
| 7.2      | UFBGA132 package information                | 237        |
| 7.3      | LQFP100 package information                 | 240        |
| 7.4      | WLCSP72 package information                 | 243        |
| 7.5      | LQFP64 package information                  | 246        |
| 7.6      | Thermal characteristics                     | 249        |
| 7.6.1    | Reference document                          | 249        |
| 7.6.2    | Selecting the product temperature range     | 249        |
| <b>8</b> | <b>Ordering information</b>                 | <b>252</b> |
| <b>9</b> | <b>Revision history</b>                     | <b>253</b> |

## List of tables

|           |   |     |
|-----------|---|-----|
| Table 1.  | Device summary . . . . .  | 2   |
| Table 2.  | STM32L486xx family device features and peripheral counts . . . . .  | 15  |
| Table 3.  | Access status versus readout protection level and execution modes. . . . .  | 19  |
| Table 4.  | STM32L486xx modes overview . . . . .  | 25  |
| Table 5.  | Functionalities depending on the working mode. . . . .  | 31  |
| Table 6.  | STM32L486xx peripherals interconnect matrix . . . . .   | 34  |
| Table 7.  | DMA implementation . . . . .  | 39  |
| Table 8.  | Temperature sensor calibration values. . . . .  | 42  |
| Table 9.  | Internal voltage reference calibration values . . . . .   | 42  |
| Table 10. | DFSDM1 implementation . . . . .   | 47  |
| Table 11. | Timer feature comparison. . . . .   | 48  |
| Table 12. | I2C implementation. . . . .   | 52  |
| Table 13. | STM32L486xx USART/UART/LPUART features . . . . .  | 53  |
| Table 14. | SAI implementation. . . . .   | 56  |
| Table 15. | Legend/abbreviations used in the pinout table . . . . .   | 66  |
| Table 16. | STM32L486xx pin definitions . . . . .   | 67  |
| Table 17. | Alternate function AF0 to AF7. . . . .  | 86  |
| Table 18. | Alternate function AF8 to AF15. . . . .   | 93  |
| Table 19. | STM32L486xx memory map and peripheral register boundary addresses . . . . .   | 102 |
| Table 20. | Voltage characteristics . . . . .   | 109 |
| Table 21. | Current characteristics . . . . .   | 110 |
| Table 22. | Thermal characteristics. . . . .  | 111 |
| Table 23. | General operating conditions . . . . .  | 112 |
| Table 24. | Operating conditions at power-up / power-down . . . . .   | 113 |
| Table 25. | Embedded reset and power control block characteristics. . . . .   | 114 |
| Table 26. | Embedded internal voltage reference. . . . .  | 116 |
| Table 27. | Current consumption in Run and Low-power run modes, code with data processing running from Flash, ART enable (Cache ON Prefetch OFF) . . . . .                                    | 119 |
| Table 28. | Current consumption in Run modes, code with data processing running from Flash, ART enable (Cache ON Prefetch OFF) and power supplied by external SMPS (VDD12 = 1.10 V) . . . . . | 120 |
| Table 29. | Current consumption in Run and Low-power run modes, code with data processing running from Flash, ART disable . . . . .   | 121 |
| Table 30. | Current consumption in Run modes, code with data processing running from Flash, ART disable and power supplied by external SMPS (VDD12 = 1.10 V). . . . .                         | 122 |
| Table 31. | Current consumption in Run and Low-power run modes, code with data processing running from SRAM1 . . . . .  | 123 |
| Table 32. | Current consumption in Run, code with data processing running from SRAM1 and power supplied by external SMPS (VDD12 = 1.10 V) . . . . .   | 124 |
| Table 33. | Typical current consumption in Run and Low-power run modes, with different codes running from Flash, ART enable (Cache ON Prefetch OFF) . . . . .                                 | 125 |
| Table 34. | Typical current consumption in Run, with different codes running from Flash, ART enable (Cache ON Prefetch OFF) and power supplied by external SMPS (VDD12 = 1.10 V) . . . . .    | 125 |
| Table 35. | Typical current consumption in Run, with different codes running from Flash, ART enable (Cache ON Prefetch OFF) and power supplied by external SMPS (VDD12 = 1.05 V) . . . . .    | 126 |
| Table 36. | Typical current consumption in Run and Low-power run modes, with different codes  |     |

|           |   |     |
|-----------|---|-----|
|           | running from Flash, ART disable . . . . .   | 126 |
| Table 37. | Typical current consumption in Run modes, with different codes running from Flash, ART disable and power supplied by external SMPS (VDD12 = 1.10 V) . . . . . | 127 |
| Table 38. | Typical current consumption in Run modes, with different codes running from Flash, ART disable and power supplied by external SMPS (VDD12 = 1.05 V) . . . . . | 127 |
| Table 39. | Typical current consumption in Run and Low-power run modes, with different codes running from SRAM1 . . . . .   | 128 |
| Table 40. | Typical current consumption in Run mode, with different codes running from SRAM1 and power supplied by external SMPS (VDD12 = 1.10 V) . . . . .               | 128 |
| Table 41. | Typical current consumption in Run mode, with different codes running from SRAM1 and power supplied by external SMPS (VDD12 = 1.05 V) . . . . .               | 129 |
| Table 42. | Current consumption in Sleep and Low-power sleep modes, Flash ON . . . . .  | 130 |
| Table 43. | Current consumption in Sleep, Flash ON and power supplied by external SMPS (VDD12 = 1.10 V) . . . . .   | 131 |
| Table 44. | Current consumption in Low-power sleep modes, Flash in power-down . . . . .   | 131 |
| Table 45. | Current consumption in Stop 2 mode . . . . .  | 132 |
| Table 46. | Current consumption in Stop 1 mode . . . . .  | 134 |
| Table 47. | Current consumption in Stop 0 mode . . . . .  | 136 |
| Table 48. | Current consumption in Standby mode . . . . .   | 137 |
| Table 49. | Current consumption in Shutdown mode . . . . .  | 138 |
| Table 50. | Current consumption in VBAT mode . . . . .  | 140 |
| Table 51. | Peripheral current consumption . . . . .  | 142 |
| Table 52. | Low-power mode wakeup timings . . . . .   | 145 |
| Table 53. | Regulator modes transition times . . . . .  | 147 |
| Table 54. | Wakeup time using USART/LPUART . . . . .  | 147 |
| Table 55. | High-speed external user clock characteristics . . . . .  | 147 |
| Table 56. | Low-speed external user clock characteristics . . . . .   | 148 |
| Table 57. | HSE oscillator characteristics . . . . .  | 149 |
| Table 58. | LSE oscillator characteristics ( $f_{LSE} = 32.768$ kHz) . . . . .  | 150 |
| Table 59. | HSI16 oscillator characteristics . . . . .  | 152 |
| Table 60. | MSI oscillator characteristics . . . . .  | 154 |
| Table 61. | LSI oscillator characteristics . . . . .  | 157 |
| Table 62. | PLL, PLLSAI1, PLLSAI2 characteristics . . . . .   | 158 |
| Table 63. | Flash memory characteristics . . . . .  | 158 |
| Table 64. | Flash memory endurance and data retention . . . . .   | 159 |
| Table 65. | EMS characteristics . . . . .   | 160 |
| Table 66. | EMI characteristics . . . . .   | 161 |
| Table 67. | ESD absolute maximum ratings . . . . .  | 161 |
| Table 68. | Electrical sensitivities . . . . .  | 162 |
| Table 69. | I/O current injection susceptibility . . . . .  | 162 |
| Table 70. | I/O static characteristics . . . . .  | 163 |
| Table 71. | Output voltage characteristics . . . . .  | 166 |
| Table 72. | I/O AC characteristics . . . . .  | 167 |
| Table 73. | NRST pin characteristics . . . . .  | 169 |
| Table 74. | EXTI input characteristics . . . . .  | 170 |
| Table 75. | Analog switches booster characteristics . . . . .   | 170 |
| Table 76. | ADC characteristics . . . . .   | 171 |
| Table 77. | Maximum ADC RAIN . . . . .  | 173 |
| Table 78. | ADC accuracy - limited test conditions 1 . . . . .  | 175 |
| Table 79. | ADC accuracy - limited test conditions 2 . . . . .  | 177 |
| Table 80. | ADC accuracy - limited test conditions 3 . . . . .  | 179 |
| Table 81. | ADC accuracy - limited test conditions 4 . . . . .  | 181 |



|            |   |     |
|------------|---|-----|
| Table 82.  | DAC characteristics   | 184 |
| Table 83.  | DAC accuracy  | 187 |
| Table 84.  | VREFBUF characteristics   | 189 |
| Table 85.  | COMP characteristics  | 191 |
| Table 86.  | OPAMP characteristics   | 192 |
| Table 87.  | TS characteristics  | 196 |
| Table 88.  | V <sub>BAT</sub> monitoring characteristics   | 196 |
| Table 89.  | V <sub>BAT</sub> charging characteristics   | 196 |
| Table 90.  | LCD controller characteristics  | 197 |
| Table 91.  | DFSDM characteristics   | 199 |
| Table 92.  | TIMx characteristics  | 201 |
| Table 93.  | IWDG min/max timeout period at 32 kHz (LSI)   | 201 |
| Table 94.  | WWDG min/max timeout value at 80 MHz (PCLK)   | 201 |
| Table 95.  | I2C analog filter characteristics   | 202 |
| Table 96.  | SPI characteristics   | 203 |
| Table 97.  | Quad SPI characteristics in SDR mode  | 206 |
| Table 98.  | QUADSPI characteristics in DDR mode   | 207 |
| Table 99.  | SAI characteristics   | 208 |
| Table 100. | SD / MMC dynamic characteristics, VDD=2.7 V to 3.6 V  | 210 |
| Table 101. | eMMC dynamic characteristics, VDD = 1.71 V to 1.9 V   | 211 |
| Table 102. | USB OTG DC electrical characteristics   | 212 |
| Table 103. | USB OTG electrical characteristics  | 213 |
| Table 104. | USB BCD DC electrical characteristics   | 213 |
| Table 105. | Asynchronous non-multiplexed SRAM/PSRAM/NOR read timings  | 217 |
| Table 106. | Asynchronous non-multiplexed SRAM/PSRAM/NOR read-NWAIT timings  | 217 |
| Table 107. | Asynchronous non-multiplexed SRAM/PSRAM/NOR write timings   | 218 |
| Table 108. | Asynchronous non-multiplexed SRAM/PSRAM/NOR write-NWAIT timings                                       | 219 |
| Table 109. | Asynchronous multiplexed PSRAM/NOR read timings   | 220 |
| Table 110. | Asynchronous multiplexed PSRAM/NOR read-NWAIT timings   | 220 |
| Table 111. | Asynchronous multiplexed PSRAM/NOR write timings  | 222 |
| Table 112. | Asynchronous multiplexed PSRAM/NOR write-NWAIT timings  | 222 |
| Table 113. | Synchronous multiplexed NOR/PSRAM read timings  | 224 |
| Table 114. | Synchronous multiplexed PSRAM write timings   | 226 |
| Table 115. | Synchronous non-multiplexed NOR/PSRAM read timings  | 227 |
| Table 116. | Synchronous non-multiplexed PSRAM write timings   | 229 |
| Table 117. | Switching characteristics for NAND Flash read cycles  | 231 |
| Table 118. | Switching characteristics for NAND Flash write cycles   | 231 |
| Table 119. | SWPMI electrical characteristics  | 232 |
| Table 120. | LQFP144 - 144-pin, 20 x 20 mm low-profile quad flat package<br>mechanical data                        | 234 |
| Table 121. | UFBGA132 - 132-ball, 7 x 7 mm ultra thin fine pitch ball grid array<br>package mechanical data        | 237 |
| Table 122. | UFBGA132 recommended PCB design rules (0.5 mm pitch BGA)  | 238 |
| Table 123. | LQFP100 - 100-pin, 14 x 14 mm low-profile quad flat package<br>mechanical data                        | 240 |
| Table 124. | WLCSP72 - 72-ball, 4.4084 x 3.7594 mm, 0.4 mm pitch wafer level chip<br>scale package mechanical data | 243 |
| Table 125. | WLCSP72 recommended PCB design rules (0.4 mm pitch BGA)   | 244 |
| Table 126. | LQFP64 - 64-pin, 10 x 10 mm low-profile quad flat<br>package mechanical data                          | 246 |
| Table 127. | Package thermal characteristics   | 249 |
| Table 128. | STM32L486xx ordering information scheme   | 252 |

Table 129. Document revision history ..... 253

## List of figures

|            |  |     |
|------------|--|-----|
| Figure 1.  | STM32L486xx block diagram . . . . .  | 17  |
| Figure 2.  | Power supply overview . . . . .  | 22  |
| Figure 3.  | Power-up/down sequence . . . . .   | 23  |
| Figure 4.  | Clock tree . . . . .   | 38  |
| Figure 5.  | Voltage reference buffer . . . . .   | 43  |
| Figure 6.  | STM32L486Zx LQFP144 pinout <sup>(1)</sup> . . . . .  | 61  |
| Figure 7.  | STM32L486Zx, external SMPS device, LQFP144 pinout <sup>(1)</sup> . . . . .                   | 62  |
| Figure 8.  | STM32L486Qx UFBGA132 ballout <sup>(1)</sup> . . . . .  | 63  |
| Figure 9.  | STM32L486Vx LQFP100 pinout <sup>(1)</sup> . . . . .  | 63  |
| Figure 10. | STM32L486Jx WLCSP72 ballout <sup>(1)</sup> . . . . .   | 64  |
| Figure 11. | STM32L486Jx, external SMPS device, WLCSP72 ballout <sup>(1)</sup> . . . . .                  | 64  |
| Figure 12. | STM32L486Rx LQFP64 pinout <sup>(1)</sup> . . . . .   | 65  |
| Figure 13. | STM32L486Rx, external SMPS device, LQFP64 pinout <sup>(1)</sup> . . . . .                    | 66  |
| Figure 14. | STM32L486xx memory map . . . . .   | 101 |
| Figure 15. | Pin loading conditions . . . . .   | 106 |
| Figure 16. | Pin input voltage . . . . .  | 106 |
| Figure 17. | Power supply scheme . . . . .  | 107 |
| Figure 18. | Current consumption measurement scheme with and without external SMPS power supply . . . . . | 109 |
| Figure 19. | VREFINT versus temperature . . . . .   | 117 |
| Figure 20. | High-speed external clock source AC timing diagram . . . . .                                 | 148 |
| Figure 21. | Low-speed external clock source AC timing diagram . . . . .                                  | 148 |
| Figure 22. | Typical application with an 8 MHz crystal . . . . .  | 150 |
| Figure 23. | Typical application with a 32.768 kHz crystal . . . . .                                      | 151 |
| Figure 24. | HSI16 frequency versus temperature . . . . .   | 153 |
| Figure 25. | Typical current consumption versus MSI frequency . . . . .                                   | 157 |
| Figure 26. | I/O input characteristics . . . . .  | 165 |
| Figure 27. | I/O AC characteristics definition <sup>(1)</sup> . . . . .                                   | 169 |
| Figure 28. | Recommended NRST pin protection . . . . .  | 170 |
| Figure 29. | ADC accuracy characteristics . . . . .   | 183 |
| Figure 30. | Typical connection diagram using the ADC . . . . .   | 183 |
| Figure 31. | 12-bit buffered / non-buffered DAC . . . . .   | 186 |
| Figure 32. | SPI timing diagram - slave mode and CPHA = 0 . . . . .                                       | 204 |
| Figure 33. | SPI timing diagram - slave mode and CPHA = 1 . . . . .                                       | 205 |
| Figure 34. | SPI timing diagram - master mode . . . . .   | 205 |
| Figure 35. | Quad SPI timing diagram - SDR mode . . . . .   | 207 |
| Figure 36. | Quad SPI timing diagram - DDR mode . . . . .   | 207 |
| Figure 37. | SAI master timing waveforms . . . . .  | 209 |
| Figure 38. | SAI slave timing waveforms . . . . .   | 210 |
| Figure 39. | SDIO high-speed mode . . . . .   | 211 |
| Figure 40. | SD default mode . . . . .  | 212 |
| Figure 41. | USB OTG timings – definition of data signal rise and fall time . . . . .                     | 213 |
| Figure 42. | Asynchronous non-multiplexed SRAM/PSRAM/NOR read waveforms . . . . .                         | 216 |
| Figure 43. | Asynchronous non-multiplexed SRAM/PSRAM/NOR write waveforms . . . . .                        | 218 |
| Figure 44. | Asynchronous multiplexed PSRAM/NOR read waveforms . . . . .                                  | 219 |
| Figure 45. | Asynchronous multiplexed PSRAM/NOR write waveforms . . . . .                                 | 221 |
| Figure 46. | Synchronous multiplexed NOR/PSRAM read timings . . . . .                                     | 223 |
| Figure 47. | Synchronous multiplexed PSRAM write timings . . . . .  | 225 |

|            |   |     |
|------------|---|-----|
| Figure 48. | Synchronous non-multiplexed NOR/PSRAM read timings . . . . .  | 227 |
| Figure 49. | Synchronous non-multiplexed PSRAM write timings . . . . .   | 228 |
| Figure 50. | NAND controller waveforms for read access . . . . .   | 230 |
| Figure 51. | NAND controller waveforms for write access . . . . .  | 230 |
| Figure 52. | NAND controller waveforms for common memory read access . . . . .   | 230 |
| Figure 53. | NAND controller waveforms for common memory write access . . . . .  | 231 |
| Figure 54. | LQFP144 - 144-pin, 20 x 20 mm low-profile quad flat package outline . . . . .   | 233 |
| Figure 55. | LQFP144 - 144-pin, 20 x 20 mm low-profile quad flat package<br>recommended footprint . . . . .                        | 235 |
| Figure 56. | LQFP144 marking (package top view) . . . . .  | 236 |
| Figure 57. | UFBGA132 - 132-ball, 7 x 7 mm ultra thin fine pitch ball grid array<br>package outline . . . . .                      | 237 |
| Figure 58. | UFBGA132 - 132-ball, 7 x 7 mm ultra thin fine pitch ball grid array<br>package recommended footprint . . . . .        | 238 |
| Figure 59. | UFBGA132 marking (package top view) . . . . .   | 239 |
| Figure 60. | LQFP100 - 100-pin, 14 x 14 mm low-profile quad flat package outline . . . . .   | 240 |
| Figure 61. | LQFP100 - 100-pin, 14 x 14 mm low-profile quad flat<br>recommended footprint . . . . .                                | 241 |
| Figure 62. | LQFP100 marking (package top view) . . . . .  | 242 |
| Figure 63. | WLCSP72 - 72-ball, 4.4084 x 3.7594 mm, 0.4 mm pitch wafer level chip<br>scale package outline . . . . .               | 243 |
| Figure 64. | WLCSP72 - 72-ball, 4.4084 x 3.7594 mm, 0.4 mm pitch wafer level<br>chip scale package recommended footprint . . . . . | 244 |
| Figure 65. | WLCSP72 marking (package top view) . . . . .  | 245 |
| Figure 66. | LQFP64 - 64-pin, 10 x 10 mm low-profile quad flat package outline . . . . .   | 246 |
| Figure 67. | LQFP64 - 64-pin, 10 x 10 mm low-profile quad flat package<br>recommended footprint . . . . .                          | 247 |
| Figure 68. | LQFP64 marking (package top view) . . . . .   | 248 |
| Figure 69. | LQFP64 $P_D$ max vs. $T_A$ . . . . .  | 251 |

# 1 Introduction

This datasheet provides the ordering information and mechanical device characteristics of the STM32L486xx microcontrollers.

This document should be read in conjunction with the STM32L4x6 reference manual (RM0351). The reference manual is available from the STMicroelectronics website [www.st.com](http://www.st.com).

For information on the Arm<sup>®(a)</sup> Cortex<sup>®</sup>-M4 core, please refer to the Cortex<sup>®</sup>-M4 Technical Reference Manual, available from the [www.arm.com](http://www.arm.com) website.



arm

---

a. Arm is a registered trademark of Arm Limited (or its subsidiaries) in the US and/or elsewhere.

## 2 Description

The STM32L486xx devices are the ultra-low-power microcontrollers based on the high-performance Arm® Cortex®-M4 32-bit RISC core operating at a frequency of up to 80 MHz. The Cortex-M4 core features a Floating point unit (FPU) single precision which supports all Arm® single-precision data-processing instructions and data types. It also implements a full set of DSP instructions and a memory protection unit (MPU) which enhances application security.

The STM32L486xx devices embed high-speed memories (1 Mbyte of Flash memory, 128 Kbyte of SRAM), a flexible external memory controller (FSMC) for static memories (for devices with packages of 100 pins and more), a Quad SPI flash memories interface (available on all packages) and an extensive range of enhanced I/Os and peripherals connected to two APB buses, two AHB buses and a 32-bit multi-AHB bus matrix.

The STM32L486xx devices embed several protection mechanisms for embedded Flash memory and SRAM: readout protection, write protection, proprietary code readout protection and Firewall.

The devices offer up to three fast 12-bit ADCs (5 Msps), two comparators, two operational amplifiers, two DAC channels, an internal voltage reference buffer, a low-power RTC, two general-purpose 32-bit timer, two 16-bit PWM timers dedicated to motor control, seven general-purpose 16-bit timers, and two 16-bit low-power timers. The devices support four digital filters for external sigma delta modulators (DFSDM).

In addition, up to 24 capacitive sensing channels are available. The devices also embed an integrated LCD driver 8x40 or 4x44, with internal step-up converter.

They also feature standard and advanced communication interfaces.

- Three I2Cs
- Three SPIs
- Three USARTs, two UARTs and one Low-Power UART.
- Two SAIs (Serial Audio Interfaces)
- One SDMMC
- One CAN
- One USB OTG full-speed
- One SWPMI (Single Wire Protocol Master Interface)

The STM32L486xx devices embed AES hardware accelerator.

The STM32L486xx operates in the -40 to +85 °C (+105 °C junction), -40 to +105 °C (+125 °C junction) and -40 to +125 °C (+130 °C junction) temperature ranges from a 1.71 to 3.6 V  $V_{DD}$  power supply when using internal LDO regulator and a 1.05 to 1.32V  $V_{DD12}$  power supply when using external SMPS supply. A comprehensive set of power-saving modes allows the design of low-power applications.

Some independent power supplies are supported: analog independent supply input for ADC, DAC, OPAMPs and comparators, 3.3 V dedicated supply input for USB and up to 14 I/Os can be supplied independently down to 1.08V. A VBAT input allows to backup the RTC and backup registers. Dedicated  $V_{DD12}$  power supplies can be used to bypass the internal LDO regulator when connected to an external SMPS.

The STM32L486xx family offers five packages from 64-pin to 144-pin packages.

**Table 2. STM32L486xx family device features and peripheral counts**

| Peripheral                                     |  | STM32L486Zx              | STM32L486Qx         | STM32L486Vx         | STM32L486Jx         | STM32L486Rx         |
|--|--|--------------------------|---------------------|---------------------|---------------------|---------------------|
| Flash memory                                   |  | 1 MB                     |                     |                     |                     |                     |
| SRAM   |  | 128 KB                   |                     |                     |                     |                     |
| External memory controller for static memories |  | Yes                      | Yes                 | Yes <sup>(1)</sup>  | No                  | No                  |
| Quad SPI                                       |  | Yes                      |                     |                     |                     |                     |
| Timers   | Advanced control                       | 2 (16-bit)               |                     |                     |                     |                     |
|  | General purpose                        | 5 (16-bit)<br>2 (32-bit) |                     |                     |                     |                     |
|  | Basic                                  | 2 (16-bit)               |                     |                     |                     |                     |
|  | Low power                              | 2 (16-bit)               |                     |                     |                     |                     |
|  | SysTick timer                          | 1                        |                     |                     |                     |                     |
|  | Watchdog timers (independent , window) | 2                        |                     |                     |                     |                     |
| Comm. interfaces                               | SPI                                    | 3                        |                     |                     |                     |                     |
|  | I <sup>2</sup> C                       | 3                        |                     |                     |                     |                     |
|  | USART                                  | 3                        |                     |                     |                     |                     |
|  | UART                                   | 2                        |                     |                     |                     |                     |
|  | LPUART                                 | 1                        |                     |                     |                     |                     |
|  | SAI                                    | 2                        |                     |                     |                     |                     |
|  | CAN                                    | 1                        |                     |                     |                     |                     |
|  | USB OTG FS                             | Yes                      |                     |                     |                     |                     |
| SDMMC  | Yes                                    |                          |                     |                     |                     |                     |
| SWPMI  | Yes                                    |                          |                     |                     |                     |                     |
| Digital filters for sigma-delta modulators     |  | Yes (4 filters)          |                     |                     |                     |                     |
| Number of channels                             |  | 8                        |                     |                     |                     |                     |
| RTC  |  | Yes                      |                     |                     |                     |                     |
| Tamper pins                                    |  | 3                        |                     |                     | 2                   | 2                   |
| LCD COM x SEG                                  | Yes<br>8x40 or 4x44                    | Yes<br>8x40 or 4x44      | Yes<br>8x40 or 4x44 | Yes<br>8x28 or 4x32 | Yes<br>8x28 or 4x32 | Yes<br>8x28 or 4x32 |
| Random generator                               |  | Yes                      |                     |                     |                     |                     |
| AES  |  | Yes                      |                     |                     |                     |                     |

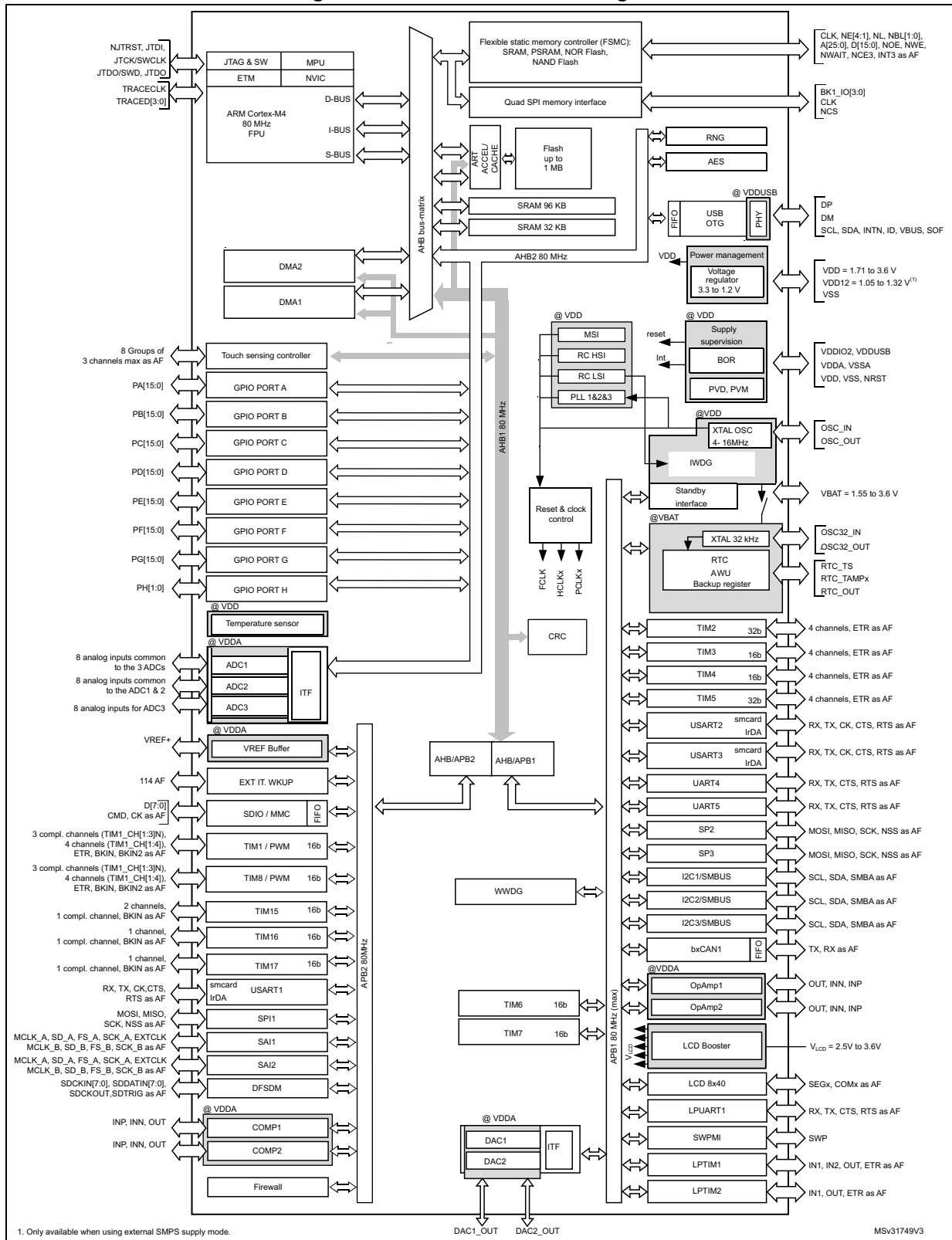
Table 2. STM32L486xx family device features and peripheral counts (continued)

| Peripheral                               | STM32L486Zx  | STM32L486Qx | STM32L486Vx | STM32L486Jx | STM32L486Rx |
|--|--|-------------|-------------|-------------|-------------|
| GPIOs <sup>(2)</sup>                     | 114  | 109         | 82          | 57          | 51          |
| Wakeup pins                              | 5  | 5           | 5           | 4           | 4           |
| Nb of I/Os down to 1.08 V                | 14   | 14          | 0           | 6           | 0           |
| Capacitive sensing<br>Number of channels | 24   | 24          | 21          | 12          | 12          |
| 12-bit ADCs<br>Number of channels        | 3<br>24  | 3<br>19     | 3<br>16     | 3<br>16     | 3<br>16     |
| 12-bit DAC channels                      | 2  |             |             |             |             |
| Internal voltage reference<br>buffer     | Yes  |             |             |             | No          |
| Analog comparator                        | 2  |             |             |             |             |
| Operational amplifiers                   | 2  |             |             |             |             |
| Max. CPU frequency                       | 80 MHz   |             |             |             |             |
| Operating voltage (V <sub>DD</sub> )     | 1.71 to 3.6 V  |             |             |             |             |
| Operating voltage (V <sub>DD12</sub> )   | 1.05 to 1.32 V   |             |             |             |             |
| Operating temperature                    | Ambient operating temperature: -40 to 85 °C / -40 to 105 °C / -40 to 125 °C<br>Junction temperature: -40 to 105 °C / -40 to 125 °C / -40 to 130 °C |             |             |             |             |
| Packages                                 | LQFP144  | UFBGA132    | LQFP100     | WLCSP72     | LQFP64      |

- For the LQFP100 package, only FMC Bank1 is available. Bank1 can only support a multiplexed NOR/PSRAM memory using the NE1 Chip Select.
- In case external SMPS package type is used, 2 GPIO's are replaced by VDD12 pins to connect the SMPS power supplies hence reducing the number of available GPIO's by 2.



Figure 1. STM32L486xx block diagram



Note: AF: alternate function on I/O pins.



## 3 Functional overview

### 3.1 Arm<sup>®</sup> Cortex<sup>®</sup>-M4 core with FPU

The Arm<sup>®</sup> Cortex<sup>®</sup>-M4 with FPU processor is the latest generation of Arm<sup>®</sup> processors for embedded systems. It was developed to provide a low-cost platform that meets the needs of MCU implementation, with a reduced pin count and low-power consumption, while delivering outstanding computational performance and an advanced response to interrupts.

The Arm<sup>®</sup> Cortex<sup>®</sup>-M4 with FPU 32-bit RISC processor features exceptional code-efficiency, delivering the high-performance expected from an Arm<sup>®</sup> core in the memory size usually associated with 8- and 16-bit devices.

The processor supports a set of DSP instructions which allow efficient signal processing and complex algorithm execution.

Its single precision FPU speeds up software development by using metalanguage development tools, while avoiding saturation.

With its embedded Arm<sup>®</sup> core, the STM32L486xx family is compatible with all Arm<sup>®</sup> tools and software.

*Figure 1* shows the general block diagram of the STM32L486xx family devices.

### 3.2 Adaptive real-time memory accelerator (ART Accelerator™)

The ART Accelerator™ is a memory accelerator which is optimized for STM32 industry-standard Arm<sup>®</sup> Cortex<sup>®</sup>-M4 processors. It balances the inherent performance advantage of the Arm<sup>®</sup> Cortex<sup>®</sup>-M4 over Flash memory technologies, which normally requires the processor to wait for the Flash memory at higher frequencies.

To release the processor near 100 DMIPS performance at 80MHz, the accelerator implements an instruction prefetch queue and branch cache, which increases program execution speed from the 64-bit Flash memory. Based on CoreMark benchmark, the performance achieved thanks to the ART accelerator is equivalent to 0 wait state program execution from Flash memory at a CPU frequency up to 80 MHz.

### 3.3 Memory protection unit

The memory protection unit (MPU) is used to manage the CPU accesses to memory to prevent one task to accidentally corrupt the memory or resources used by any other active task. This memory area is organized into up to 8 protected areas that can in turn be divided up into 8 subareas. The protection area sizes are between 32 bytes and the whole 4 gigabytes of addressable memory.

The MPU is especially helpful for applications where some critical or certified code has to be protected against the misbehavior of other tasks. It is usually managed by an RTOS (real-time operating system). If a program accesses a memory location that is prohibited by the MPU, the RTOS can detect it and take action. In an RTOS environment, the kernel can dynamically update the MPU area setting, based on the process to be executed.

The MPU is optional and can be bypassed for applications that do not need it.

### 3.4 Embedded Flash memory

STM32L486xx devices feature 1 Mbyte of embedded Flash memory available for storing programs and data. The Flash memory is divided into two banks allowing read-while-write operations. This feature allows to perform a read operation from one bank while an erase or program operation is performed to the other bank. The dual bank boot is also supported. Each bank contains 256 pages of 2 Kbyte.

Flexible protections can be configured thanks to option bytes:

- Readout protection (RDP) to protect the whole memory. Three levels are available:
  - Level 0: no readout protection
  - Level 1: memory readout protection: the Flash memory cannot be read from or written to if either debug features are connected, boot in RAM or bootloader is selected
  - Level 2: chip readout protection: debug features (Cortex-M4 JTAG and serial wire), boot in RAM and bootloader selection are disabled (JTAG fuse). This selection is irreversible.

**Table 3. Access status versus readout protection level and execution modes**

| Area             | Protection level | User execution |       |                    | Debug, boot from RAM or boot from system memory (loader) |       |                    |
|------------------|------------------|----------------|-------|--------------------|--|-------|--------------------|
|                  |                  | Read           | Write | Erase              | Read   | Write | Erase              |
| Main memory      | 1                | Yes            | Yes   | Yes                | No   | No    | No                 |
|                  | 2                | Yes            | Yes   | Yes                | N/A  | N/A   | N/A                |
| System memory    | 1                | Yes            | No    | No                 | Yes  | No    | No                 |
|                  | 2                | Yes            | No    | No                 | N/A  | N/A   | N/A                |
| Option bytes     | 1                | Yes            | Yes   | Yes                | Yes  | Yes   | Yes                |
|                  | 2                | Yes            | No    | No                 | N/A  | N/A   | N/A                |
| Backup registers | 1                | Yes            | Yes   | N/A <sup>(1)</sup> | No   | No    | N/A <sup>(1)</sup> |
|                  | 2                | Yes            | Yes   | N/A                | N/A  | N/A   | N/A                |
| SRAM2            | 1                | Yes            | Yes   | Yes <sup>(1)</sup> | No   | No    | No <sup>(1)</sup>  |
|                  | 2                | Yes            | Yes   | Yes                | N/A  | N/A   | N/A                |

1. Erased when RDP change from Level 1 to Level 0.

- Write protection (WRP): the protected area is protected against erasing and programming. Two areas per bank can be selected, with 2-Kbyte granularity.
- Proprietary code readout protection (PCROP): a part of the flash memory can be protected against read and write from third parties. The protected area is execute-only: it can only be reached by the STM32 CPU, as an instruction code, while all other accesses (DMA, debug and CPU data read, write and erase) are strictly prohibited. One area per bank can be selected, with 64-bit granularity. An additional option bit (PCROP\_RDP) allows to select if the PCROP area is erased or not when the RDP protection is changed from Level 1 to Level 0.



The whole non-volatile memory embeds the error correction code (ECC) feature supporting:

- single error detection and correction
- double error detection.
- The address of the ECC fail can be read in the ECC register

### 3.5 Embedded SRAM

STM32L486xx devices feature 128 Kbyte of embedded SRAM. This SRAM is split into two blocks:

- 96 Kbyte mapped at address 0x2000 0000 (SRAM1)
- 32 Kbyte located at address 0x1000 0000 with hardware parity check (SRAM2).  
This block is accessed through the ICode/DCode buses for maximum performance. These 32 Kbyte SRAM can also be retained in Standby mode.  
The SRAM2 can be write-protected with 1 Kbyte granularity.

The memory can be accessed in read/write at CPU clock speed with 0 wait states.

### 3.6 Firewall

The device embeds a Firewall which protects code sensitive and secure data from any access performed by a code executed outside of the protected areas.

Each illegal access generates a reset which kills immediately the detected intrusion.

The Firewall main features are the following:

- Three segments can be protected and defined thanks to the Firewall registers:
  - Code segment (located in Flash or SRAM1 if defined as executable protected area)
  - Non-volatile data segment (located in Flash)
  - Volatile data segment (located in SRAM1)
- The start address and the length of each segments are configurable:
  - Code segment: up to 1024 Kbyte with granularity of 256 bytes
  - Non-volatile data segment: up to 1024 Kbyte with granularity of 256 bytes
  - Volatile data segment: up to 96 Kbyte with a granularity of 64 bytes
- Specific mechanism implemented to open the Firewall to get access to the protected areas (call gate entry sequence)
- Volatile data segment can be shared or not with the non-protected code
- Volatile data segment can be executed or not depending on the Firewall configuration

The Flash readout protection must be set to level 2 in order to reach the expected level of protection.

## 3.7 Boot modes

At startup, BOOT0 pin and BOOT1 option bit are used to select one of three boot options:

- Boot from user Flash
- Boot from system memory
- Boot from embedded SRAM

The boot loader is located in system memory. It is used to reprogram the Flash memory by using USART, I2C, SPI, CAN or USB OTG FS in Device mode through DFU (device firmware upgrade).

## 3.8 Cyclic redundancy check calculation unit (CRC)

The CRC (cyclic redundancy check) calculation unit is used to get a CRC code using a configurable generator polynomial value and size.

Among other applications, CRC-based techniques are used to verify data transmission or storage integrity. In the scope of the EN/IEC 60335-1 standard, they offer a means of verifying the Flash memory integrity. The CRC calculation unit helps compute a signature of the software during runtime, to be compared with a reference signature generated at link-time and stored at a given memory location.

## 3.9 Power supply management

### 3.9.1 Power supply schemes

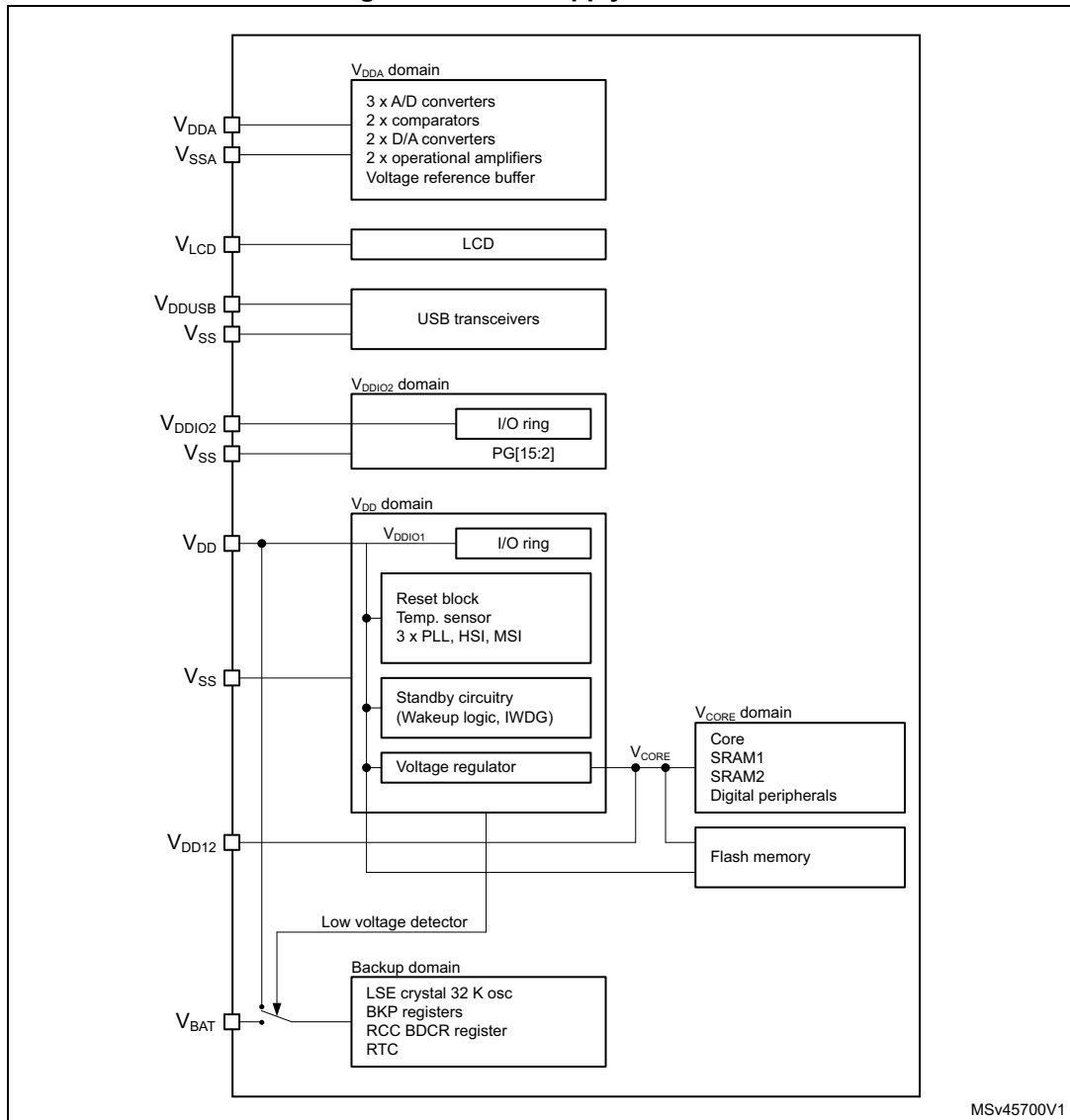
- $V_{DD} = 1.71$  to  $3.6$  V: external power supply for I/Os ( $V_{DDIO1}$ ), the internal regulator and the system analog such as reset, power management and internal clocks. It is provided externally through VDD pins.
- $V_{DD12} = 1.05$  to  $1.32$  V: external power supply bypassing internal regulator when connected to an external SMPS. It is provided externally through VDD12 pins and only available on packages with the external SMPS supply option. VDD12 does not require any external decoupling capacitance and cannot support any external load.
- $V_{DDA} = 1.62$  V (ADCs/COMP) /  $1.8$  (DAC/OPAMPs) to  $3.6$  V: external analog power supply for ADCs, DAC, OPAMPs, Comparators and Voltage reference buffer. The  $V_{DDA}$  voltage level is independent from the  $V_{DD}$  voltage.
- $V_{DDUSB} = 3.0$  to  $3.6$  V: external independent power supply for USB transceivers. The  $V_{DDUSB}$  voltage level is independent from the  $V_{DD}$  voltage.
- $V_{DDIO2} = 1.08$  to  $3.6$  V: external power supply for 14 I/Os (PG[15:2]). The  $V_{DDIO2}$  voltage level is independent from the  $V_{DD}$  voltage.
- $V_{LCD} = 2.5$  to  $3.6$  V: the LCD controller can be powered either externally through VLCD pin, or internally from an internal voltage generated by the embedded step-up converter.
- $V_{BAT} = 1.55$  to  $3.6$  V: power supply for RTC, external clock 32 kHz oscillator and backup registers (through power switch) when  $V_{DD}$  is not present.

*Note:* When the functions supplied by  $V_{DDA}$ ,  $V_{DDUSB}$  or  $V_{DDIO2}$  are not used, these supplies should preferably be shorted to  $V_{DD}$ .

Note: If these supplies are tied to ground, the I/Os supplied by these power supplies are not 5 V tolerant (refer to [Table 20: Voltage characteristics](#)).

Note:  $V_{DDIOx}$  is the I/Os general purpose digital functions supply.  $V_{DDIOx}$  represents  $V_{DDIO1}$  or  $V_{DDIO2}$ , with  $V_{DDIO1} = V_{DD}$ .  $V_{DDIO2}$  supply voltage level is independent from  $V_{DDIO1}$ .

Figure 2. Power supply overview

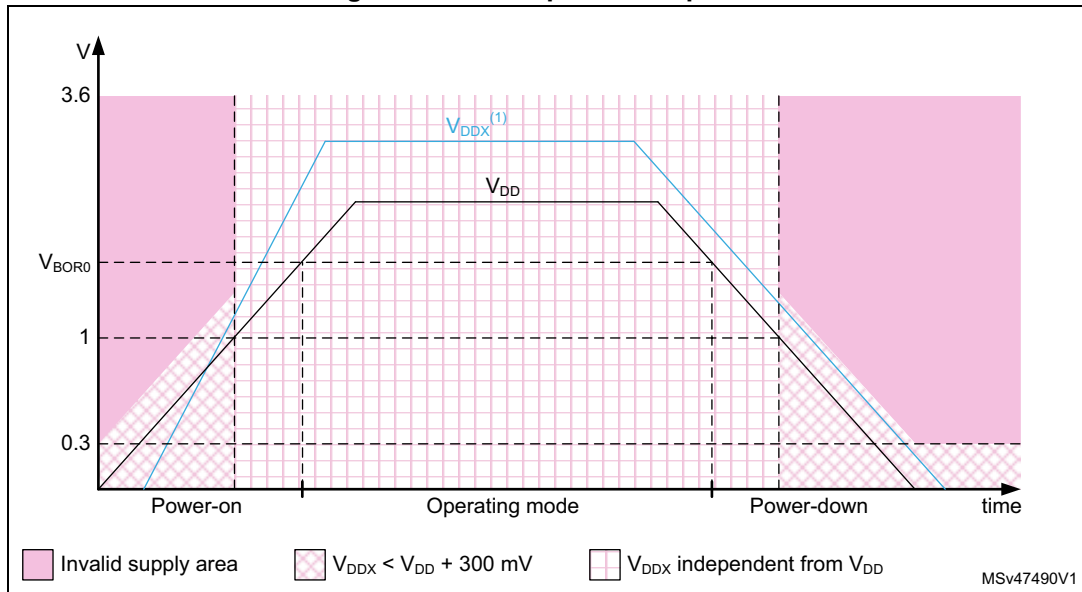


During power-up and power-down phases, the following power sequence requirements must be respected:

- When  $V_{DD}$  is below 1 V, other power supplies ( $V_{DDA}$ ,  $V_{DDUSB}$ ,  $V_{DDIO2}$ ,  $V_{LCD}$ ) must remain below  $V_{DD} + 300$  mV.
- When  $V_{DD}$  is above 1 V, all power supplies are independent.

During the power-down phase,  $V_{DD}$  can temporarily become lower than other supplies only if the energy provided to the MCU remains below 1 mJ; this allows external decoupling capacitors to be discharged with different time constants during the power-down transient phase.

Figure 3. Power-up/down sequence



1.  $V_{DDX}$  refers to any power supply among  $V_{DDA}$ ,  $V_{DDUSB}$ ,  $V_{DDIO2}$ ,  $V_{LCD}$ .

### 3.9.2 Power supply supervisor

The device has an integrated ultra-low-power brown-out reset (BOR) active in all modes except Shutdown and ensuring proper operation after power-on and during power down. The device remains in reset mode when the monitored supply voltage  $V_{DD}$  is below a specified threshold, without the need for an external reset circuit.

The lowest BOR level is 1.71V at power on, and other higher thresholds can be selected through option bytes. The device features an embedded programmable voltage detector (PVD) that monitors the  $V_{DD}$  power supply and compares it to the VPVD threshold. An interrupt can be generated when  $V_{DD}$  drops below the VPVD threshold and/or when  $V_{DD}$  is higher than the VPVD threshold. The interrupt service routine can then generate a warning message and/or put the MCU into a safe state. The PVD is enabled by software.

In addition, the device embeds a Peripheral Voltage Monitor which compares the independent supply voltages  $V_{DDA}$ ,  $V_{DDUSB}$ ,  $V_{DDIO2}$  with a fixed threshold in order to ensure that the peripheral is in its functional supply range.

### 3.9.3 Voltage regulator

Two embedded linear voltage regulators supply most of the digital circuitries: the main regulator (MR) and the low-power regulator (LPR).

- The MR is used in the Run and Sleep modes and in the Stop 0 mode.
- The LPR is used in Low-Power Run, Low-Power Sleep, Stop 1 and Stop 2 modes. It is also used to supply the 32 Kbyte SRAM2 in Standby with SRAM2 retention.
- Both regulators are in power-down in Standby and Shutdown modes: the regulator output is in high impedance, and the kernel circuitry is powered down thus inducing zero consumption.

The ultralow-power STM32L486xx supports dynamic voltage scaling to optimize its power consumption in run mode. The voltage from the Main Regulator that supplies the logic ( $V_{CORE}$ ) can be adjusted according to the system's maximum operating frequency.

There are two power consumption ranges:

- Range 1 with the CPU running at up to 80 MHz.
- Range 2 with a maximum CPU frequency of 26 MHz. All peripheral clocks are also limited to 26 MHz.

The  $V_{CORE}$  can be supplied by the low-power regulator, the main regulator being switched off. The system is then in Low-power run mode.

- Low-power run mode with the CPU running at up to 2 MHz. Peripherals with independent clock can be clocked by HSI16.

When the MR is in use, the STM32L486xx with the external SMPS option allows to force an external  $V_{CORE}$  supply on the VDD12 supply pins.

When  $V_{DD12}$  is forced by an external source and is higher than the output of the internal LDO, the current is taken from this external supply and the overall power efficiency is significantly improved if using an external step down DC/DC converter.

### 3.9.4 Low-power modes

The ultra-low-power STM32L486xx supports seven low-power modes to achieve the best compromise between low-power consumption, short startup time, available peripherals and available wakeup sources.



**Table 4. STM32L486xx modes overview**

| Mode    | Regulator <sup>(1)</sup> | CPU | Flash             | SRAM              | Clocks         | DMA & Peripherals <sup>(2)</sup> | Wakeup source          | Consumption <sup>(3)</sup> | Wakeup time                           |
|---------|--------------------------|-----|-------------------|-------------------|----------------|----------------------------------|------------------------|----------------------------|---------------------------------------|
| Run     | MR range 1               | Yes | ON <sup>(4)</sup> | ON                | Any            | All                              | N/A                    | 112 µA/MHz                 | N/A                                   |
|         | SMPS range 2 High        |     |                   |                   |                |                                  |                        | 40 µA/MHz <sup>(5)</sup>   |                                       |
|         | MR range2                |     |                   |                   |                | All except OTG_FS, RNG           |                        | 100 µA/MHz                 |                                       |
|         | SMPS range 2 Low         |     |                   |                   |                |                                  |                        | 39 µA/MHz <sup>(6)</sup>   |                                       |
| LPRun   | LPR                      | Yes | ON <sup>(4)</sup> | ON                | Any except PLL | All except OTG_FS, RNG           | N/A                    | 136 µA/MHz                 | to Range 1: 4 µs<br>to Range 2: 64 µs |
| Sleep   | MR range 1               | No  | ON <sup>(4)</sup> | ON <sup>(7)</sup> | Any            | All                              | Any interrupt or event | 37 µA/MHz                  | 6 cycles                              |
|         | SMPS range 2 High        |     |                   |                   |                |                                  |                        | 13 µA/MHz <sup>(5)</sup>   |                                       |
|         | MR range2                |     |                   |                   |                | All except OTG_FS, RNG           |                        | 35 µA/MHz                  | 6 cycles                              |
|         | SMPS range 2 Low         |     |                   |                   |                |                                  |                        | 15 µA/MHz <sup>(6)</sup>   |                                       |
| LPSleep | LPR                      | No  | ON <sup>(4)</sup> | ON <sup>(7)</sup> | Any except PLL | All except OTG_FS, RNG           | Any interrupt or event | 40 µA/MHz                  | 6 cycles                              |



Table 4. STM32L486xx modes overview (continued)

| Mode   | Regulator <sup>(1)</sup> | CPU | Flash | SRAM | Clocks     | DMA & Peripherals <sup>(2)</sup>  | Wakeup source   | Consumption <sup>(3)</sup>     | Wakeup time                       |
|--------|--------------------------|-----|-------|------|------------|---|---|--------------------------------|-----------------------------------|
| Stop 0 | Range 1 <sup>(8)</sup>   | No  | Off   | ON   | LSE<br>LSI | BOR, PVD, PVM<br>RTC, LCD, IWDG<br>COMPx (x=1,2)<br>DAC1<br>OPAMPx (x=1,2)<br>USARTx (x=1...5) <sup>(9)</sup><br>LPUART1 <sup>(9)</sup><br>I2Cx (x=1...3) <sup>(10)</sup><br>LPTIMx (x=1,2)<br>***<br>All other peripherals are frozen. | Reset pin, all I/Os<br>BOR, PVD, PVM<br>RTC, LCD, IWDG<br>COMPx (x=1..2)<br>USARTx (x=1...5) <sup>(9)</sup><br>LPUART1 <sup>(9)</sup><br>I2Cx (x=1...3) <sup>(10)</sup><br>LPTIMx (x=1,2)<br>OTG_FS <sup>(11)</sup><br>SWPMI1 <sup>(12)</sup> | 108 µA                         | 0.7 µs in SRAM<br>4.5 µs in Flash |
|        | Range 2 <sup>(8)</sup>   |     |       |      |            |   |   |                                |                                   |
| Stop 1 | LPR                      | No  | Off   | ON   | LSE<br>LSI | BOR, PVD, PVM<br>RTC, LCD, IWDG<br>COMPx (x=1,2)<br>DAC1<br>OPAMPx (x=1,2)<br>USARTx (x=1...5) <sup>(9)</sup><br>LPUART1 <sup>(9)</sup><br>I2Cx (x=1...3) <sup>(10)</sup><br>LPTIMx (x=1,2)<br>***<br>All other peripherals are frozen. | Reset pin, all I/Os<br>BOR, PVD, PVM<br>RTC, LCD, IWDG<br>COMPx (x=1..2)<br>USARTx (x=1...5) <sup>(9)</sup><br>LPUART1 <sup>(9)</sup><br>I2Cx (x=1...3) <sup>(10)</sup><br>LPTIMx (x=1,2)<br>OTG_FS <sup>(11)</sup><br>SWPMI1 <sup>(12)</sup> | 6.6 µA w/o RTC<br>6.9 µA w RTC | 4 µs in SRAM<br>6 µs in Flash     |

**Table 4. STM32L486xx modes overview (continued)**

| Mode     | Regulator <sup>(1)</sup> | CPU         | Flash | SRAM        | Clocks     | DMA & Peripherals <sup>(2)</sup>  | Wakeup source  | Consumption <sup>(3)</sup>                  | Wakeup time                                 |
|----------|--------------------------|-------------|-------|-------------|------------|---|--|---|---|
| Stop 2   | LPR                      | No          | Off   | ON          | LSE<br>LSI | BOR, PVD, PVM<br>RTC, LCD, IWDG<br>COMPx (x=1..2)<br>I2C3 <sup>(10)</sup><br>LPUART1 <sup>(9)</sup><br>LPTIM1<br>***<br>All other peripherals are frozen. | Reset pin, all I/Os<br>BOR, PVD, PVM<br>RTC, LCD, IWDG<br>COMPx (x=1..2)<br>I2C3 <sup>(10)</sup><br>LPUART1 <sup>(9)</sup><br>LPTIM1 | 1.1 $\mu$ A w/o RTC<br>1.4 $\mu$ A w/RTC    | 5 $\mu$ s in SRAM<br><br>7 $\mu$ s in Flash |
| Standby  | LPR                      | Powered Off | Off   | SRAM2 ON    | LSE<br>LSI | BOR, RTC, IWDG<br>***<br>All other peripherals are powered off.<br>***<br>I/O configuration can be floating, pull-up or pull-down                         | Reset pin<br>5 I/Os (WKUPx) <sup>(13)</sup><br>BOR, RTC, IWDG  | 0.35 $\mu$ A w/o RTC<br>0.65 $\mu$ A w/ RTC | 14 $\mu$ s                                  |
|          | OFF                      |             |       | Powered Off |            | 0.12 $\mu$ A w/o RTC<br>0.42 $\mu$ A w/ RTC   |  |   |   |
| Shutdown | OFF                      | Powered Off | Off   | Powered Off | LSE        | RTC<br>***<br>All other peripherals are powered off.<br>***<br>I/O configuration can be floating, pull-up or pull-down <sup>(14)</sup>                    | Reset pin<br>5 I/Os (WKUPx) <sup>(13)</sup><br>RTC   | 0.03 $\mu$ A w/o RTC<br>0.33 $\mu$ A w/ RTC | 256 $\mu$ s                                 |

- LPR means Main regulator is OFF and Low-power regulator is ON.
- All peripherals can be active or clock gated to save power consumption.
- Typical current at  $V_{DD} = 1.8$  V, 25°C. Consumptions values provided running from SRAM, Flash memory Off, 80 MHz in Range 1, 26 MHz in Range 2, 2 MHz in LPRun/LPSleep.
- The Flash memory can be put in power-down and its clock can be gated off when executing from SRAM.
- Theoretical value based on  $V_{DD} = 3.3$  V, DC/DC Efficiency of 85%,  $V_{CORE} = 1.10$  V
- Theoretical value based on  $V_{DD} = 3.3$  V, DC/DC Efficiency of 85%,  $V_{CORE} = 1.05$  V
- The SRAM1 and SRAM2 clocks can be gated on or off independently.

8. SMPS mode can be used in STOP0 Mode, but no significant power gain can be expected.
9. U(S)ART and LPUART reception is functional in Stop mode, and generates a wakeup interrupt on Start, address match or received frame event.
10. I2C address detection is functional in Stop mode, and generates a wakeup interrupt in case of address match.
11. OTG\_FS wakeup by resume from suspend and attach detection protocol event.
12. SWPMI1 wakeup by resume from suspend.
13. The I/Os with wakeup from Standby/Shutdown capability are: PA0, PC13, PE6, PA2, PC5.
14. I/Os can be configured with internal pull-up, pull-down or floating in Shutdown mode but the configuration is lost when exiting the Shutdown mode.

By default, the microcontroller is in Run mode after a system or a power Reset. It is up to the user to select one of the low-power modes described below:

- **Sleep mode**

In Sleep mode, only the CPU is stopped. All peripherals continue to operate and can wake up the CPU when an interrupt/event occurs.

- **Low-power run mode**

This mode is achieved with  $V_{CORE}$  supplied by the low-power regulator to minimize the regulator's operating current. The code can be executed from SRAM or from Flash, and the CPU frequency is limited to 2 MHz. The peripherals with independent clock can be clocked by HSI16.

- **Low-power sleep mode**

This mode is entered from the low-power run mode. Only the CPU clock is stopped. When wakeup is triggered by an event or an interrupt, the system reverts to the low-power run mode.

- **Stop 0, Stop 1 and Stop 2 modes**

Stop mode achieves the lowest power consumption while retaining the content of SRAM and registers. All clocks in the  $V_{CORE}$  domain are stopped, the PLL, the MSI RC, the HSI16 RC and the HSE crystal oscillators are disabled. The LSE or LSI is still running.

The RTC can remain active (Stop mode with RTC, Stop mode without RTC).

Some peripherals with wakeup capability can enable the HSI16 RC during Stop mode to detect their wakeup condition.

Three Stop modes are available: Stop 0, Stop 1 and Stop 2 modes. In Stop 2 mode, most of the  $V_{CORE}$  domain is put in a lower leakage mode.

Stop 1 offers the largest number of active peripherals and wakeup sources, a smaller wakeup time but a higher consumption than Stop 2. In Stop 0 mode, the main regulator remains ON, allowing a very fast wakeup time but with much higher consumption.

The system clock when exiting from Stop 0, Stop 1 or Stop 2 modes can be either MSI up to 48 MHz or HSI16, depending on software configuration.

- **Standby mode**

The Standby mode is used to achieve the lowest power consumption with BOR. The internal regulator is switched off so that the  $V_{CORE}$  domain is powered off. The PLL, the MSI RC, the HSI16 RC and the HSE crystal oscillators are also switched off.

The RTC can remain active (Standby mode with RTC, Standby mode without RTC).

The brown-out reset (BOR) always remains active in Standby mode.

The state of each I/O during standby mode can be selected by software: I/O with internal pull-up, internal pull-down or floating.

After entering Standby mode, SRAM1 and register contents are lost except for registers in the Backup domain and Standby circuitry. Optionally, SRAM2 can be retained in Standby mode, supplied by the low-power Regulator (Standby with SRAM2 retention mode).

The device exits Standby mode when an external reset (NRST pin), an IWDG reset, WKUP pin event (configurable rising or falling edge), or an RTC event occurs (alarm, periodic wakeup, timestamp, tamper) or a failure is detected on LSE (CSS on LSE).

The system clock after wakeup is MSI up to 8 MHz.

- **Shutdown mode**

The Shutdown mode allows to achieve the lowest power consumption. The internal regulator is switched off so that the  $V_{CORE}$  domain is powered off. The PLL, the HSI16, the MSI, the LSI and the HSE oscillators are also switched off.

The RTC can remain active (Shutdown mode with RTC, Shutdown mode without RTC).

The BOR is not available in Shutdown mode. No power voltage monitoring is possible in this mode, therefore the switch to Backup domain is not supported.

SRAM1, SRAM2 and register contents are lost except for registers in the Backup domain.

The device exits Shutdown mode when an external reset (NRST pin), a WKUP pin event (configurable rising or falling edge), or an RTC event occurs (alarm, periodic wakeup, timestamp, tamper).

The system clock after wakeup is MSI at 4 MHz.

Table 5. Functionalities depending on the working mode<sup>(1)</sup>

| Peripheral                                   | Run              | Sleep            | Low-power run    | Low-power sleep  | Stop 0/1 |                   | Stop 2 |                   | Standby          |                   | Shutdown |                   | VBAT |
|--|------------------|------------------|------------------|------------------|----------|-------------------|--------|-------------------|------------------|-------------------|----------|-------------------|------|
|  |                  |                  |                  |                  | -        | Wakeup capability | -      | Wakeup capability | -                | Wakeup capability | -        | Wakeup capability |      |
| CPU  | Y                | -                | Y                | -                | -        | -                 | -      | -                 | -                | -                 | -        | -                 | -    |
| Flash memory (1 MB)                          | O <sup>(2)</sup> | O <sup>(2)</sup> | O <sup>(2)</sup> | O <sup>(2)</sup> | -        | -                 | -      | -                 | -                | -                 | -        | -                 | -    |
| SRAM1 (96 KB)                                | Y                | Y <sup>(3)</sup> | Y                | Y <sup>(3)</sup> | Y        | -                 | Y      | -                 | -                | -                 | -        | -                 | -    |
| SRAM2 (32 KB)                                | Y                | Y <sup>(3)</sup> | Y                | Y <sup>(3)</sup> | Y        | -                 | Y      | -                 | O <sup>(4)</sup> | -                 | -        | -                 | -    |
| FSMC   | O                | O                | O                | O                | -        | -                 | -      | -                 | -                | -                 | -        | -                 | -    |
| Quad SPI                                     | O                | O                | O                | O                | -        | -                 | -      | -                 | -                | -                 | -        | -                 | -    |
| Backup Registers                             | Y                | Y                | Y                | Y                | Y        | -                 | Y      | -                 | Y                | -                 | Y        | -                 | Y    |
| Brown-out reset (BOR)                        | Y                | Y                | Y                | Y                | Y        | Y                 | Y      | Y                 | Y                | Y                 | -        | -                 | -    |
| Programmable Voltage Detector (PVD)          | O                | O                | O                | O                | O        | O                 | O      | O                 | -                | -                 | -        | -                 | -    |
| Peripheral Voltage Monitor (PVMx; x=1,2,3,4) | O                | O                | O                | O                | O        | O                 | O      | O                 | -                | -                 | -        | -                 | -    |
| DMA  | O                | O                | O                | O                | -        | -                 | -      | -                 | -                | -                 | -        | -                 | -    |
| High Speed Internal (HSI16)                  | O                | O                | O                | O                | (5)      | -                 | (5)    | -                 | -                | -                 | -        | -                 | -    |
| High Speed External (HSE)                    | O                | O                | O                | O                | -        | -                 | -      | -                 | -                | -                 | -        | -                 | -    |
| Low Speed Internal (LSI)                     | O                | O                | O                | O                | O        | -                 | O      | -                 | O                | -                 | -        | -                 | -    |
| Low Speed External (LSE)                     | O                | O                | O                | O                | O        | -                 | O      | -                 | O                | -                 | O        | -                 | O    |
| Multi-Speed Internal (MSI)                   | O                | O                | O                | O                | -        | -                 | -      | -                 | -                | -                 | -        | -                 | -    |
| Clock Security System (CSS)                  | O                | O                | O                | O                | -        | -                 | -      | -                 | -                | -                 | -        | -                 | -    |
| Clock Security System on LSE                 | O                | O                | O                | O                | O        | O                 | O      | O                 | O                | O                 | -        | -                 | -    |
| RTC / Auto wakeup                            | O                | O                | O                | O                | O        | O                 | O      | O                 | O                | O                 | O        | O                 | O    |
| Number of RTC Tamper pins                    | 3                | 3                | 3                | 3                | 3        | O                 | 3      | O                 | 3                | O                 | 3        | O                 | 3    |
| LCD  | O                | O                | O                | O                | O        | O                 | O      | O                 | -                | -                 | -        | -                 | -    |



Table 5. Functionalities depending on the working mode<sup>(1)</sup> (continued)

| Peripheral                     | Run              | Sleep            | Low-power run | Low-power sleep | Stop 0/1         |                   | Stop 2           |                   | Standby |                   | Shutdown |                   | VBAT |
|--------------------------------|------------------|------------------|---------------|-----------------|------------------|-------------------|------------------|-------------------|---------|-------------------|----------|-------------------|------|
|                                |                  |                  |               |                 | -                | Wakeup capability | -                | Wakeup capability | -       | Wakeup capability | -        | Wakeup capability |      |
| USB OTG FS                     | O <sup>(8)</sup> | O <sup>(8)</sup> | -             | -               | -                | O                 | -                | -                 | -       | -                 | -        | -                 | -    |
| USARTx (x=1,2,3,4,5)           | O                | O                | O             | O               | O <sup>(6)</sup> | O <sup>(6)</sup>  | -                | -                 | -       | -                 | -        | -                 | -    |
| Low-power UART (LPUART)        | O                | O                | O             | O               | O <sup>(6)</sup> | O <sup>(6)</sup>  | O <sup>(6)</sup> | O <sup>(6)</sup>  | -       | -                 | -        | -                 | -    |
| I2Cx (x=1,2)                   | O                | O                | O             | O               | O <sup>(7)</sup> | O <sup>(7)</sup>  | -                | -                 | -       | -                 | -        | -                 | -    |
| I2C3                           | O                | O                | O             | O               | O <sup>(7)</sup> | O <sup>(7)</sup>  | O <sup>(7)</sup> | O <sup>(7)</sup>  | -       | -                 | -        | -                 | -    |
| SPIx (x=1,2,3)                 | O                | O                | O             | O               | -                | -                 | -                | -                 | -       | -                 | -        | -                 | -    |
| CAN                            | O                | O                | O             | O               | -                | -                 | -                | -                 | -       | -                 | -        | -                 | -    |
| SDMMC1                         | O                | O                | O             | O               | -                | -                 | -                | -                 | -       | -                 | -        | -                 | -    |
| SWPMI1                         | O                | O                | O             | O               | -                | O                 | -                | -                 | -       | -                 | -        | -                 | -    |
| SAIx (x=1,2)                   | O                | O                | O             | O               | -                | -                 | -                | -                 | -       | -                 | -        | -                 | -    |
| DFSDM1                         | O                | O                | O             | O               | -                | -                 | -                | -                 | -       | -                 | -        | -                 | -    |
| ADCx (x=1,2,3)                 | O                | O                | O             | O               | -                | -                 | -                | -                 | -       | -                 | -        | -                 | -    |
| DAC1                           | O                | O                | O             | O               | O                | -                 | -                | -                 | -       | -                 | -        | -                 | -    |
| VREFBUF                        | O                | O                | O             | O               | O                | -                 | -                | -                 | -       | -                 | -        | -                 | -    |
| OPAMPx (x=1,2)                 | O                | O                | O             | O               | O                | -                 | -                | -                 | -       | -                 | -        | -                 | -    |
| COMPx (x=1,2)                  | O                | O                | O             | O               | O                | O                 | O                | O                 | -       | -                 | -        | -                 | -    |
| Temperature sensor             | O                | O                | O             | O               | -                | -                 | -                | -                 | -       | -                 | -        | -                 | -    |
| Timers (TIMx)                  | O                | O                | O             | O               | -                | -                 | -                | -                 | -       | -                 | -        | -                 | -    |
| Low-power timer 1 (LPTIM1)     | O                | O                | O             | O               | O                | O                 | O                | O                 | -       | -                 | -        | -                 | -    |
| Low-power timer 2 (LPTIM2)     | O                | O                | O             | O               | O                | O                 | -                | -                 | -       | -                 | -        | -                 | -    |
| Independent watchdog (IWDG)    | O                | O                | O             | O               | O                | O                 | O                | O                 | O       | O                 | -        | -                 | -    |
| Window watchdog (WWDG)         | O                | O                | O             | O               | -                | -                 | -                | -                 | -       | -                 | -        | -                 | -    |
| SysTick timer                  | O                | O                | O             | O               | -                | -                 | -                | -                 | -       | -                 | -        | -                 | -    |
| Touch sensing controller (TSC) | O                | O                | O             | O               | -                | -                 | -                | -                 | -       | -                 | -        | -                 | -    |
| Random number generator (RNG)  | O <sup>(8)</sup> | O <sup>(8)</sup> | -             | -               | -                | -                 | -                | -                 | -       | -                 | -        | -                 | -    |





**Table 5. Functionalities depending on the working mode<sup>(1)</sup> (continued)**

| Peripheral               | Run | Sleep | Low-power run | Low-power sleep | Stop 0/1 |                   | Stop 2 |                   | Standby                                  |   | Shutdown |                   | VBAT |
|--------------------------|-----|-------|---------------|-----------------|----------|-------------------|--------|-------------------|--|---|----------|-------------------|------|
|                          |     |       |               |                 | -        | Wakeup capability | -      | Wakeup capability | -  | Wakeup capability                         | -        | Wakeup capability |      |
| AES hardware accelerator | O   | O     | O             | O               | -        | -                 | -      | -                 | -  | -   | -        | -                 | -    |
| CRC calculation unit     | O   | O     | O             | O               | -        | -                 | -      | -                 | -  | -   | -        | -                 | -    |
| GPIOs                    | O   | O     | O             | O               | O        | O                 | O      | O                 | <sup>(9)</sup> 5 pins<br><sup>(10)</sup> | <sup>(11)</sup> 5 pins<br><sup>(10)</sup> | -        | -                 | -    |

- Legend: Y = Yes (Enable). O = Optional (Disable by default. Can be enabled by software). - = Not available.
- The Flash can be configured in power-down mode. By default, it is not in power-down mode.
- The SRAM clock can be gated on or off.
- SRAM2 content is preserved when the bit RRS is set in PWR\_CR3 register.
- Some peripherals with wakeup from Stop capability can request HSI16 to be enabled. In this case, HSI16 is woken up by the peripheral, and only feeds the peripheral which requested it. HSI16 is automatically put off when the peripheral does not need it anymore.
- UART and LPUART reception is functional in Stop mode, and generates a wakeup interrupt on Start, address match or received frame event.
- I2C address detection is functional in Stop mode, and generates a wakeup interrupt in case of address match.
- Voltage scaling Range 1 only.
- I/Os can be configured with internal pull-up, pull-down or floating in Standby mode.
- The I/Os with wakeup from Standby/Shutdown capability are: PA0, PC13, PE6, PA2, PC5.
- I/Os can be configured with internal pull-up, pull-down or floating in Shutdown mode but the configuration is lost when exiting the Shutdown mode.

### 3.9.5 Reset mode

In order to improve the consumption under reset, the I/Os state under and after reset is “analog state” (the I/O schmitt trigger is disable). In addition, the internal reset pull-up is deactivated when the reset source is internal.

### 3.9.6 VBAT operation

The VBAT pin allows to power the device VBAT domain from an external battery, an external supercapacitor, or from V<sub>DD</sub> when no external battery and an external supercapacitor are present. The VBAT pin supplies the RTC with LSE and the backup registers. Three anti-tamper detection pins are available in VBAT mode.

VBAT operation is automatically activated when V<sub>DD</sub> is not present.

An internal VBAT battery charging circuit is embedded and can be activated when V<sub>DD</sub> is present.

*Note:* When the microcontroller is supplied from VBAT, external interrupts and RTC alarm/events do not exit it from VBAT operation.



### 3.10 Interconnect matrix

Several peripherals have direct connections between them. This allows autonomous communication between peripherals, saving CPU resources thus power supply consumption. In addition, these hardware connections allow fast and predictable latency.

Depending on peripherals, these interconnections can operate in Run, Sleep, low-power run and sleep, Stop 0, Stop 1 and Stop 2 modes.

**Table 6. STM32L486xx peripherals interconnect matrix**

| Interconnect source  | Interconnect destination | Interconnect action  | Run | Sleep | Low-power run | Low-power sleep | Stop 0 / Stop 1 | Stop 2           |
|--|--------------------------|--|-----|-------|---------------|-----------------|-----------------|------------------|
| TIMx   | TIMx                     | Timers synchronization or chaining                                 | Y   | Y     | Y             | Y               | -               | -                |
|  | ADCx<br>DAC1<br>DFSDM1   | Conversion triggers  | Y   | Y     | Y             | Y               | -               | -                |
|  | DMA                      | Memory to memory transfer trigger                                  | Y   | Y     | Y             | Y               | -               | -                |
|  | COMPx                    | Comparator output blanking   | Y   | Y     | Y             | Y               | -               | -                |
| TIM16/TIM17  | IRTIM                    | Infrared interface output generation                               | Y   | Y     | Y             | Y               | -               | -                |
| COMPx  | TIM1, 8<br>TIM2, 3       | Timer input channel, trigger, break from analog signals comparison | Y   | Y     | Y             | Y               | -               | -                |
|  | LPTIMERx                 | Low-power timer triggered by analog signals comparison             | Y   | Y     | Y             | Y               | Y               | Y <sup>(1)</sup> |
| ADCx   | TIM1, 8                  | Timer triggered by analog watchdog                                 | Y   | Y     | Y             | Y               | -               | -                |
| RTC  | TIM16                    | Timer input channel from RTC events                                | Y   | Y     | Y             | Y               | -               | -                |
|  | LPTIMERx                 | Low-power timer triggered by RTC alarms or tampers                 | Y   | Y     | Y             | Y               | Y               | Y <sup>(1)</sup> |
| All clocks sources (internal and external)   | TIM2<br>TIM15, 16, 17    | Clock source used as input channel for RC measurement and trimming | Y   | Y     | Y             | Y               | -               | -                |
| USB  | TIM2                     | Timer triggered by USB SOF   | Y   | Y     | -             | -               | -               | -                |
| CSS<br>CPU (hard fault)<br>RAM (parity error)<br>Flash memory (ECC error)<br>COMPx<br>PVD<br>DFSDM1 (analog watchdog, short circuit detection) | TIM1,8<br>TIM15,16,17    | Timer break  | Y   | Y     | Y             | Y               | -               | -                |



Table 6. STM32L486xx peripherals interconnect matrix (continued)

| Interconnect source | Interconnect destination | Interconnect action         | Run | Sleep | Low-power run | Low-power sleep | Stop 0 / Stop 1 | Stop 2           |
|---------------------|--------------------------|-----------------------------|-----|-------|---------------|-----------------|-----------------|------------------|
| GPIO                | TIMx                     | External trigger            | Y   | Y     | Y             | Y               | -               | -                |
|                     | LPTIMERx                 | External trigger            | Y   | Y     | Y             | Y               | Y               | Y <sup>(1)</sup> |
|                     | ADCx<br>DAC1<br>DFSDM1   | Conversion external trigger | Y   | Y     | Y             | Y               | -               | -                |

1. LPTIM1 only.

### 3.11 Clocks and startup

The clock controller (see [Figure 4](#)) distributes the clocks coming from different oscillators to the core and the peripherals. It also manages clock gating for low-power modes and ensures clock robustness. It features:

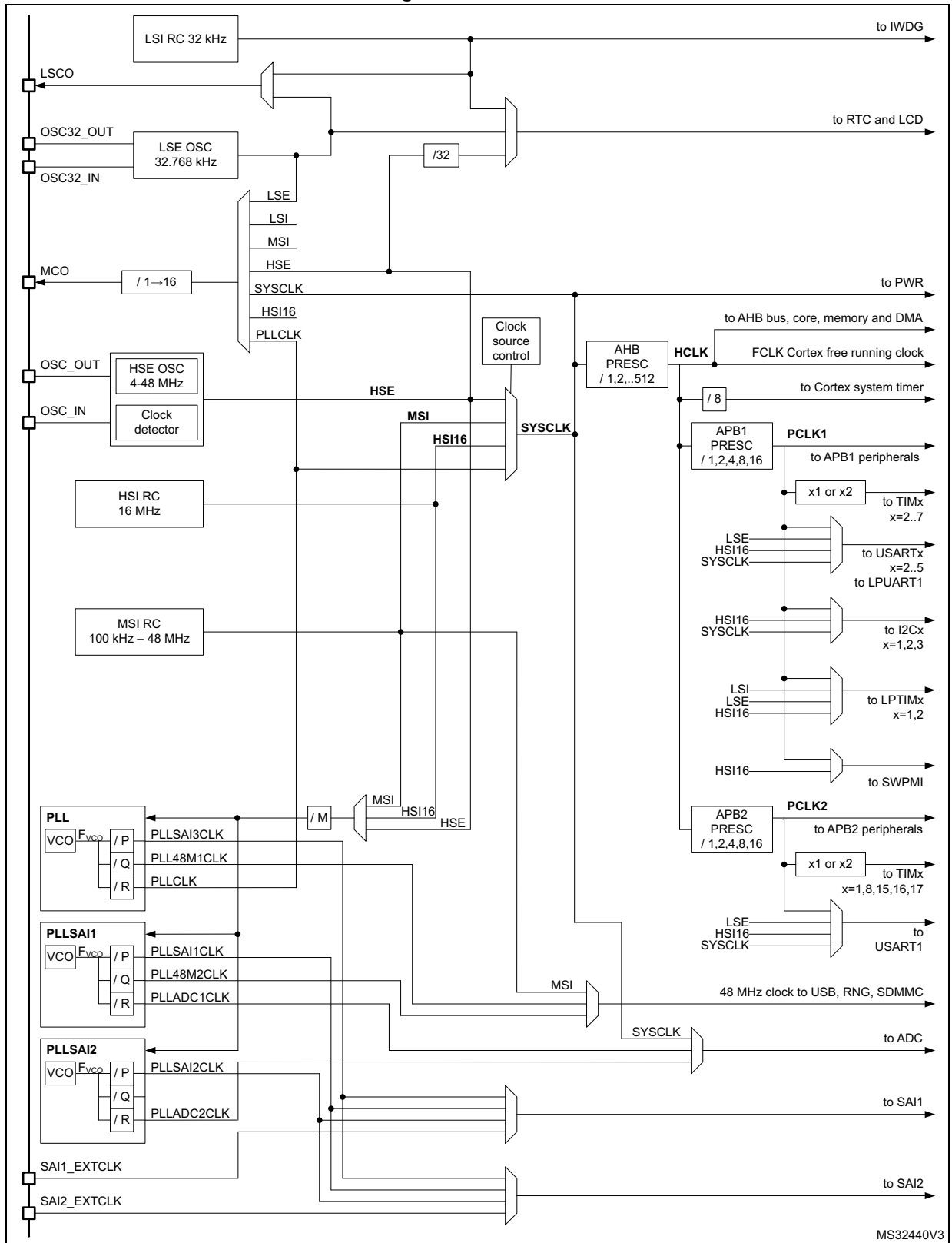
- **Clock prescaler:** to get the best trade-off between speed and current consumption, the clock frequency to the CPU and peripherals can be adjusted by a programmable prescaler
- **Safe clock switching:** clock sources can be changed safely on the fly in run mode through a configuration register.
- **Clock management:** to reduce power consumption, the clock controller can stop the clock to the core, individual peripherals or memory.
- **System clock source:** four different clock sources can be used to drive the master clock SYSCLK:
  - 4-48 MHz high-speed external crystal or ceramic resonator (HSE), that can supply a PLL. The HSE can also be configured in bypass mode for an external clock.
  - 16 MHz high-speed internal RC oscillator (HSI16), trimmable by software, that can supply a PLL
  - Multispeed internal RC oscillator (MSI), trimmable by software, able to generate 12 frequencies from 100 kHz to 48 MHz. When a 32.768 kHz clock source is available in the system (LSE), the MSI frequency can be automatically trimmed by hardware to reach better than  $\pm 0.25\%$  accuracy. In this mode the MSI can feed the USB device, saving the need of an external high-speed crystal (HSE). The MSI can supply a PLL.
  - System PLL which can be fed by HSE, HSI16 or MSI, with a maximum frequency at 80 MHz.
- **Auxiliary clock source:** two ultralow-power clock sources that can be used to drive the LCD controller and the real-time clock:
  - 32.768 kHz low-speed external crystal (LSE), supporting four drive capability modes. The LSE can also be configured in bypass mode for an external clock.
  - 32 kHz low-speed internal RC (LSI), also used to drive the independent watchdog. The LSI clock accuracy is  $\pm 5\%$  accuracy.
- **Peripheral clock sources:** Several peripherals (USB, SDMMC, RNG, SAI, USARTs, I2Cs, LPTimers, ADC, SWPMI) have their own independent clock whatever the system clock. Three PLLs, each having three independent outputs allowing the highest flexibility, can generate independent clocks for the ADC, the USB/SDMMC/RNG and the two SAIs.
- **Startup clock:** after reset, the microcontroller restarts by default with an internal 4 MHz clock (MSI). The prescaler ratio and clock source can be changed by the application program as soon as the code execution starts.
- **Clock security system (CSS):** this feature can be enabled by software. If a HSE clock failure occurs, the master clock is automatically switched to HSI16 and a software

interrupt is generated if enabled. LSE failure can also be detected and generated an interrupt.

- Clock-out capability:
  - **MCO: microcontroller clock output:** it outputs one of the internal clocks for external use by the application. Low frequency clocks (LSI, LSE) are available down to Stop 1 low power state.
  - **LSCO: low speed clock output:** it outputs LSI or LSE in all low-power modes down to Standby mode. LSE can also be output on LSCO in Shutdown mode. LSCO is not available in VBAT mode.

Several prescalers allow to configure the AHB frequency, the high speed APB (APB2) and the low speed APB (APB1) domains. The maximum frequency of the AHB and the APB domains is 80 MHz.

Figure 4. Clock tree



MS32440V3

### 3.12 General-purpose inputs/outputs (GPIOs)

Each of the GPIO pins can be configured by software as output (push-pull or open-drain), as input (with or without pull-up or pull-down) or as peripheral alternate function. Most of the GPIO pins are shared with digital or analog alternate functions. Fast I/O toggling can be achieved thanks to their mapping on the AHB2 bus.

The I/Os alternate function configuration can be locked if needed following a specific sequence in order to avoid spurious writing to the I/Os registers.

### 3.13 Direct memory access controller (DMA)

The device embeds 2 DMAs. Refer to [Table 7: DMA implementation](#) for the features implementation.

Direct memory access (DMA) is used in order to provide high-speed data transfer between peripherals and memory as well as memory to memory. Data can be quickly moved by DMA without any CPU actions. This keeps CPU resources free for other operations.

The two DMA controllers have 14 channels in total, each dedicated to managing memory access requests from one or more peripherals. Each has an arbiter for handling the priority between DMA requests.

The DMA supports:

- 14 independently configurable channels (requests)
- Each channel is connected to dedicated hardware DMA requests, software trigger is also supported on each channel. This configuration is done by software.
- Priorities between requests from channels of one DMA are software programmable (4 levels consisting of very high, high, medium, low) or hardware in case of equality (request 1 has priority over request 2, etc.)
- Independent source and destination transfer size (byte, half word, word), emulating packing and unpacking. Source/destination addresses must be aligned on the data size.
- Support for circular buffer management
- 3 event flags (DMA Half Transfer, DMA Transfer complete and DMA Transfer Error) logically ORed together in a single interrupt request for each channel
- Memory-to-memory transfer
- Peripheral-to-memory and memory-to-peripheral, and peripheral-to-peripheral transfers
- Access to Flash, SRAM, APB and AHB peripherals as source and destination
- Programmable number of data to be transferred: up to 65536.

**Table 7. DMA implementation**

| DMA features               | DMA1 | DMA2 |
|----------------------------|------|------|
| Number of regular channels | 7    | 7    |

## 3.14 Interrupts and events

### 3.14.1 Nested vectored interrupt controller (NVIC)

The devices embed a nested vectored interrupt controller able to manage 16 priority levels, and handle up to 82 maskable interrupt channels plus the 16 interrupt lines of the Cortex<sup>®</sup>-M4.

The NVIC benefits are the following:

- Closely coupled NVIC gives low latency interrupt processing
- Interrupt entry vector table address passed directly to the core
- Allows early processing of interrupts
- Processing of late arriving higher priority interrupts
- Support for tail chaining
- Processor state automatically saved on interrupt entry, and restored on interrupt exit, with no instruction overhead

The NVIC hardware block provides flexible interrupt management features with minimal interrupt latency.

### 3.14.2 Extended interrupt/event controller (EXTI)

The extended interrupt/event controller consists of 40 edge detector lines used to generate interrupt/event requests and wake-up the system from Stop mode. Each external line can be independently configured to select the trigger event (rising edge, falling edge, both) and can be masked independently. A pending register maintains the status of the interrupt requests. The internal lines are connected to peripherals with wakeup from Stop mode capability. The EXTI can detect an external line with a pulse width shorter than the internal clock period. Up to 114 GPIOs can be connected to the 16 external interrupt lines.



### 3.15 Analog to digital converter (ADC)

The device embeds 3 successive approximation analog-to-digital converters with the following features:

- 12-bit native resolution, with built-in calibration
- 5.33 Msps maximum conversion rate with full resolution
  - Down to 18.75 ns sampling time
  - Increased conversion rate for lower resolution (up to 8.88 Msps for 6-bit resolution)
- Up to 24 external channels, some of them shared between ADC1 and ADC2, or ADC1, ADC2 and ADC3.
- 5 internal channels: internal reference voltage, temperature sensor, VBAT/3, DAC1\_OUT1 and DAC1\_OUT2.
- One external reference pin is available on some package, allowing the input voltage range to be independent from the power supply
- Single-ended and differential mode inputs
- Low-power design
  - Capable of low-current operation at low conversion rate (consumption decreases linearly with speed)
  - Dual clock domain architecture: ADC speed independent from CPU frequency
- Highly versatile digital interface
  - Single-shot or continuous/discontinuous sequencer-based scan mode: 2 groups of analog signals conversions can be programmed to differentiate background and high-priority real-time conversions
  - Handles two ADC converters for dual mode operation (simultaneous or interleaved sampling modes)
  - Each ADC support multiple trigger inputs for synchronization with on-chip timers and external signals
  - Results stored into 3 data register or in RAM with DMA controller support
  - Data pre-processing: left/right alignment and per channel offset compensation
  - Built-in oversampling unit for enhanced SNR
  - Channel-wise programmable sampling time
  - Three analog watchdog for automatic voltage monitoring, generating interrupts and trigger for selected timers
  - Hardware assistant to prepare the context of the injected channels to allow fast context switching

#### 3.15.1 Temperature sensor

The temperature sensor (TS) generates a voltage  $V_{TS}$  that varies linearly with temperature.

The temperature sensor is internally connected to the ADC1\_IN17 and ADC3\_IN17 input channels which is used to convert the sensor output voltage into a digital value.

The sensor provides good linearity but it has to be calibrated to obtain good overall accuracy of the temperature measurement. As the offset of the temperature sensor varies from chip to chip due to process variation, the uncalibrated internal temperature sensor is suitable for applications that detect temperature changes only.

To improve the accuracy of the temperature sensor measurement, each device is individually factory-calibrated by ST. The temperature sensor factory calibration data are stored by ST in the system memory area, accessible in read-only mode.

**Table 8. Temperature sensor calibration values**

| Calibration value name | Description  | Memory address            |
|------------------------|--|---------------------------|
| TS_CAL1                | TS ADC raw data acquired at a temperature of 30 °C (± 5 °C), $V_{DDA} = V_{REF+} = 3.0\text{ V} (\pm 10\text{ mV})$  | 0x1FFF 75A8 - 0x1FFF 75A9 |
| TS_CAL2                | TS ADC raw data acquired at a temperature of 110 °C (± 5 °C), $V_{DDA} = V_{REF+} = 3.0\text{ V} (\pm 10\text{ mV})$ | 0x1FFF 75CA - 0x1FFF 75CB |

### 3.15.2 Internal voltage reference ( $V_{REFINT}$ )

The internal voltage reference ( $V_{REFINT}$ ) provides a stable (bandgap) voltage output for the ADC and Comparators.  $V_{REFINT}$  is internally connected to the ADC1\_IN0 input channel. The precise voltage of  $V_{REFINT}$  is individually measured for each part by ST during production test and stored in the system memory area. It is accessible in read-only mode.

**Table 9. Internal voltage reference calibration values**

| Calibration value name | Description  | Memory address            |
|------------------------|--|---------------------------|
| VREFINT                | Raw data acquired at a temperature of 30 °C (± 5 °C), $V_{DDA} = V_{REF+} = 3.0\text{ V} (\pm 10\text{ mV})$ | 0x1FFF 75AA - 0x1FFF 75AB |

### 3.15.3 $V_{BAT}$ battery voltage monitoring

This embedded hardware feature allows the application to measure the  $V_{BAT}$  battery voltage using the internal ADC channel ADC1\_IN18 or ADC3\_IN18. As the  $V_{BAT}$  voltage may be higher than  $V_{DDA}$ , and thus outside the ADC input range, the  $V_{BAT}$  pin is internally connected to a bridge divider by 3. As a consequence, the converted digital value is one third the  $V_{BAT}$  voltage.

## 3.16 Digital to analog converter (DAC)

Two 12-bit buffered DAC channels can be used to convert digital signals into analog voltage signal outputs. The chosen design structure is composed of integrated resistor strings and an amplifier in inverting configuration.

This digital interface supports the following features:

- Up to two DAC output channels
- 8-bit or 12-bit output mode
- Buffer offset calibration (factory and user trimming)
- Left or right data alignment in 12-bit mode
- Synchronized update capability
- Noise-wave generation
- Triangular-wave generation
- Dual DAC channel independent or simultaneous conversions
- DMA capability for each channel
- External triggers for conversion
- Sample and hold low-power mode, with internal or external capacitor

The DAC channels are triggered through the timer update outputs that are also connected to different DMA channels.

### 3.17 Voltage reference buffer (VREFBUF)

The STM32L486xx devices embed an voltage reference buffer which can be used as voltage reference for ADCs, DAC and also as voltage reference for external components through the VREF+ pin.

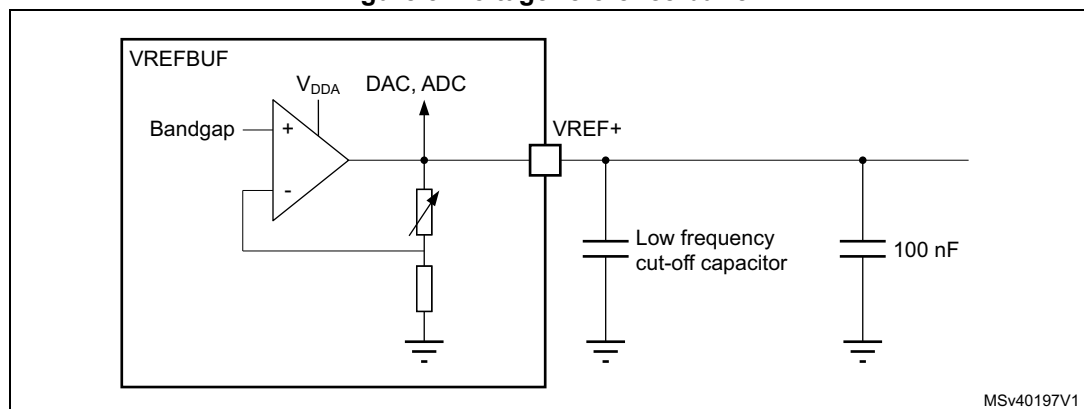
The internal voltage reference buffer supports two voltages:

- 2.048 V
- 2.5 V

An external voltage reference can be provided through the VREF+ pin when the internal voltage reference buffer is off.

The VREF+ pin is double-bonded with VDDA on some packages. In these packages the internal voltage reference buffer is not available.

Figure 5. Voltage reference buffer



### 3.18 Comparators (COMP)

The STM32L486xx devices embed two rail-to-rail comparators with programmable reference voltage (internal or external), hysteresis and speed (low speed for low-power) and with selectable output polarity.

The reference voltage can be one of the following:

- External I/O
- DAC output channels
- Internal reference voltage or submultiple (1/4, 1/2, 3/4).

All comparators can wake up from Stop mode, generate interrupts and breaks for the timers and can be also combined into a window comparator.

### 3.19 Operational amplifier (OPAMP)

The STM32L486xx embeds two operational amplifiers with external or internal follower routing and PGA capability.

The operational amplifier features:

- Low input bias current
- Low offset voltage
- Low-power mode
- Rail-to-rail input

### 3.20 Touch sensing controller (TSC)

The touch sensing controller provides a simple solution for adding capacitive sensing functionality to any application. Capacitive sensing technology is able to detect finger presence near an electrode which is protected from direct touch by a dielectric (glass, plastic, ...). The capacitive variation introduced by the finger (or any conductive object) is measured using a proven implementation based on a surface charge transfer acquisition principle.

The touch sensing controller is fully supported by the STMTouch touch sensing firmware library which is free to use and allows touch sensing functionality to be implemented reliably in the end application.

The main features of the touch sensing controller are the following:

- Proven and robust surface charge transfer acquisition principle
- Supports up to 24 capacitive sensing channels
- Up to 3 capacitive sensing channels can be acquired in parallel offering a very good response time
- Spread spectrum feature to improve system robustness in noisy environments
- Full hardware management of the charge transfer acquisition sequence
- Programmable charge transfer frequency
- Programmable sampling capacitor I/O pin
- Programmable channel I/O pin
- Programmable max count value to avoid long acquisition when a channel is faulty
- Dedicated end of acquisition and max count error flags with interrupt capability
- One sampling capacitor for up to 3 capacitive sensing channels to reduce the system components
- Compatible with proximity, touchkey, linear and rotary touch sensor implementation
- Designed to operate with STMTouch touch sensing firmware library

*Note:* The number of capacitive sensing channels is dependent on the size of the packages and subject to I/O availability.

### 3.21 Liquid crystal display controller (LCD)

The LCD drives up to 8 common terminals and 44 segment terminals to drive up to 320 pixels.

- Internal step-up converter to guarantee functionality and contrast control irrespective of  $V_{DD}$ . This converter can be deactivated, in which case the VLCD pin is used to provide the voltage to the LCD
- Supports static, 1/2, 1/3, 1/4 and 1/8 duty
- Supports static, 1/2, 1/3 and 1/4 bias
- Phase inversion to reduce power consumption and EMI
- Integrated voltage output buffers for higher LCD driving capability
- Up to 8 pixels can be programmed to blink
- Unneeded segments and common pins can be used as general I/O pins
- LCD RAM can be updated at any time owing to a double-buffer
- The LCD controller can operate in Stop mode

### 3.22 Digital filter for Sigma-Delta Modulators (DFSDM)

The device embeds one DFSDM with 4 digital filters modules and 8 external input serial channels (transceivers) or alternately 8 internal parallel inputs support.

The DFSDM peripheral is dedicated to interface the external  $\Sigma\Delta$  modulators to microcontroller and then to perform digital filtering of the received data streams (which represent analog value on  $\Sigma\Delta$  modulators inputs). DFSDM can also interface PDM (Pulse Density Modulation) microphones and perform PDM to PCM conversion and filtering in

hardware. DFSDM features optional parallel data stream inputs from microcontrollers memory (through DMA/CPU transfers into DFSDM).

DFSDM transceivers support several serial interface formats (to support various  $\Sigma\Delta$  modulators). DFSDM digital filter modules perform digital processing according user selected filter parameters with up to 24-bit final ADC resolution.

The DFSDM peripheral supports:

- 8 multiplexed input digital serial channels:
  - configurable SPI interface to connect various SD modulator(s)
  - configurable Manchester coded 1 wire interface support
  - PDM (Pulse Density Modulation) microphone input support
  - maximum input clock frequency up to 20 MHz (10 MHz for Manchester coding)
  - clock output for SD modulator(s): 0..20 MHz
- alternative inputs from 8 internal digital parallel channels (up to 16 bit input resolution):
  - internal sources: device memory data streams (DMA)
- 4 digital filter modules with adjustable digital signal processing:
  - Sinc<sup>x</sup> filter: filter order/type (1..5), oversampling ratio (up to 1..1024)
  - integrator: oversampling ratio (1..256)
- up to 24-bit output data resolution, signed output data format
- automatic data offset correction (offset stored in register by user)
- continuous or single conversion
- start-of-conversion triggered by:
  - software trigger
  - internal timers
  - external events
  - start-of-conversion synchronously with first digital filter module (DFSDM1\_FLT0)
- analog watchdog feature:
  - low value and high value data threshold registers
  - dedicated configurable Sinc<sup>x</sup> digital filter (order = 1..3, oversampling ratio = 1..32)
  - input from final output data or from selected input digital serial channels
  - continuous monitoring independently from standard conversion
- short circuit detector to detect saturated analog input values (bottom and top range):
  - up to 8-bit counter to detect 1..256 consecutive 0's or 1's on serial data stream
  - monitoring continuously each input serial channel
- break signal generation on analog watchdog event or on short circuit detector event
- extremes detector:
  - storage of minimum and maximum values of final conversion data
  - refreshed by software
- DMA capability to read the final conversion data
- interrupts: end of conversion, overrun, analog watchdog, short circuit, input serial channel clock absence
- “regular” or “injected” conversions:
  - “regular” conversions can be requested at any time or even in continuous mode

- without having any impact on the timing of “injected” conversions
- “injected” conversions for precise timing and with high conversion priority

**Table 10. DFSDM1 implementation**

| DFSDM features            | DFSDM1 |
|---------------------------|--------|
| Number of channels        | 8      |
| Number of filters         | 4      |
| Input from internal ADC   | -      |
| Supported trigger sources | 10     |
| Pulses skipper            | -      |
| ID registers support      | -      |

### 3.23 Random number generator (RNG)

All devices embed an RNG that delivers 32-bit random numbers generated by an integrated analog circuit.

### 3.24 Advanced encryption standard hardware accelerator (AES)

The devices embed an AES hardware accelerator can be used to both encipher and decipher data using AES algorithm.

The AES peripheral supports:

- Encryption/Decryption using AES Rijndael Block Cipher algorithm
- NIST FIPS 197 compliant implementation of AES encryption/decryption algorithm
- 128-bit and 256-bit register for storing the encryption, decryption or derivation key (4x 32-bit registers)
- Electronic codebook (ECB), Cipher block chaining (CBC), Counter mode (CTR), Galois Counter Mode (GCM), Galois Message Authentication Code mode (GMAC) and Cipher Message Authentication Code mode (CMAC) supported.
- Key scheduler
- Key derivation for decryption
- 128-bit data block processing
- 128-bit, 256-bit key length
- 1x32-bit INPUT buffer and 1x32-bit OUTPUT buffer.
- Register access supporting 32-bit data width only.
- One 128-bit Register for the initialization vector when AES is configured in CBC mode or for the 32-bit counter initialization when CTR mode is selected, GCM mode or CMAC mode.
- Automatic data flow control with support of direct memory access (DMA) using 2 channels, one for incoming data, and one for outgoing data.
- Suspend a message if another message with a higher priority needs to be processed

### 3.25 Timers and watchdogs

The STM32L486xx includes two advanced control timers, up to nine general-purpose timers, two basic timers, two low-power timers, two watchdog timers and a SysTick timer. The table below compares the features of the advanced control, general purpose and basic timers.

**Table 11. Timer feature comparison**

| Timer type       | Timer        | Counter resolution | Counter type      | Prescaler factor                | DMA request generation | Capture/compare channels | Complementary outputs |
|------------------|--------------|--------------------|-------------------|---------------------------------|------------------------|--------------------------|-----------------------|
| Advanced control | TIM1, TIM8   | 16-bit             | Up, down, Up/down | Any integer between 1 and 65536 | Yes                    | 4                        | 3                     |
| General-purpose  | TIM2, TIM5   | 32-bit             | Up, down, Up/down | Any integer between 1 and 65536 | Yes                    | 4                        | No                    |
| General-purpose  | TIM3, TIM4   | 16-bit             | Up, down, Up/down | Any integer between 1 and 65536 | Yes                    | 4                        | No                    |
| General-purpose  | TIM15        | 16-bit             | Up                | Any integer between 1 and 65536 | Yes                    | 2                        | 1                     |
| General-purpose  | TIM16, TIM17 | 16-bit             | Up                | Any integer between 1 and 65536 | Yes                    | 1                        | 1                     |
| Basic            | TIM6, TIM7   | 16-bit             | Up                | Any integer between 1 and 65536 | Yes                    | 0                        | No                    |

#### 3.25.1 Advanced-control timer (TIM1, TIM8)

The advanced-control timer can each be seen as a three-phase PWM multiplexed on 6 channels. They have complementary PWM outputs with programmable inserted dead-times. They can also be seen as complete general-purpose timers. The 4 independent channels can be used for:

- Input capture
- Output compare
- PWM generation (edge or center-aligned modes) with full modulation capability (0-100%)
- One-pulse mode output

In debug mode, the advanced-control timer counter can be frozen and the PWM outputs disabled to turn off any power switches driven by these outputs.

Many features are shared with those of the general-purpose TIMx timers (described in [Section 3.25.2](#)) using the same architecture, so the advanced-control timers can work together with the TIMx timers via the Timer Link feature for synchronization or event chaining.



### 3.25.2 General-purpose timers (TIM2, TIM3, TIM4, TIM5, TIM15, TIM16, TIM17)

There are up to seven synchronizable general-purpose timers embedded in the STM32L486xx (see [Table 11](#) for differences). Each general-purpose timer can be used to generate PWM outputs, or act as a simple time base.

- TIM2, TIM3, TIM4 and TIM5

They are full-featured general-purpose timers:

- TIM2 and TIM5 have a 32-bit auto-reload up/downcounter and 32-bit prescaler
- TIM3 and TIM4 have 16-bit auto-reload up/downcounter and 16-bit prescaler.

These timers feature 4 independent channels for input capture/output compare, PWM or one-pulse mode output. They can work together, or with the other general-purpose timers via the Timer Link feature for synchronization or event chaining.

The counters can be frozen in debug mode.

All have independent DMA request generation and support quadrature encoders.

- TIM15, 16 and 17

They are general-purpose timers with mid-range features:

They have 16-bit auto-reload upcounters and 16-bit prescalers.

- TIM15 has 2 channels and 1 complementary channel
- TIM16 and TIM17 have 1 channel and 1 complementary channel

All channels can be used for input capture/output compare, PWM or one-pulse mode output.

The timers can work together via the Timer Link feature for synchronization or event chaining. The timers have independent DMA request generation.

The counters can be frozen in debug mode.

### 3.25.3 Basic timers (TIM6 and TIM7)

The basic timers are mainly used for DAC trigger generation. They can also be used as generic 16-bit timebases.

### 3.25.4 Low-power timer (LPTIM1 and LPTIM2)

The devices embed two low-power timers. These timers have an independent clock and are running in Stop mode if they are clocked by LSE, LSI or an external clock. They are able to wakeup the system from Stop mode.

LPTIM1 is active in Stop 0, Stop 1 and Stop 2 modes.

LPTIM2 is active in Stop 0 and Stop 1 mode.

This low-power timer supports the following features:

- 16-bit up counter with 16-bit autoreload register
- 16-bit compare register
- Configurable output: pulse, PWM
- Continuous/ one shot mode
- Selectable software/hardware input trigger
- Selectable clock source
  - Internal clock sources: LSE, LSI, HSI16 or APB clock
  - External clock source over LPTIM input (working even with no internal clock source running, used by pulse counter application).
- Programmable digital glitch filter
- Encoder mode (LPTIM1 only)

### 3.25.5 Infrared interface (IRTIM)

The STM32L486xx includes one infrared interface (IRTIM). It can be used with an infrared LED to perform remote control functions. It uses TIM16 and TIM17 output channels to generate output signal waveforms on IR\_OUT pin.

### 3.25.6 Independent watchdog (IWDG)

The independent watchdog is based on a 12-bit downcounter and 8-bit prescaler. It is clocked from an independent 32 kHz internal RC (LSI) and as it operates independently from the main clock, it can operate in Stop and Standby modes. It can be used either as a watchdog to reset the device when a problem occurs, or as a free running timer for application timeout management. It is hardware or software configurable through the option bytes. The counter can be frozen in debug mode.

### 3.25.7 System window watchdog (WWDG)

The window watchdog is based on a 7-bit downcounter that can be set as free running. It can be used as a watchdog to reset the device when a problem occurs. It is clocked from the main clock. It has an early warning interrupt capability and the counter can be frozen in debug mode.

### 3.25.8 SysTick timer

This timer is dedicated to real-time operating systems, but could also be used as a standard down counter. It features:

- A 24-bit down counter
- Autoreload capability
- Maskable system interrupt generation when the counter reaches 0.
- Programmable clock source

## 3.26 Real-time clock (RTC) and backup registers

The RTC is an independent BCD timer/counter. It supports the following features:

- Calendar with subsecond, seconds, minutes, hours (12 or 24 format), week day, date, month, year, in BCD (binary-coded decimal) format.
- Automatic correction for 28, 29 (leap year), 30, and 31 days of the month.
- Two programmable alarms.
- On-the-fly correction from 1 to 32767 RTC clock pulses. This can be used to synchronize it with a master clock.
- Reference clock detection: a more precise second source clock (50 or 60 Hz) can be used to enhance the calendar precision.
- Digital calibration circuit with 0.95 ppm resolution, to compensate for quartz crystal inaccuracy.
- Three anti-tamper detection pins with programmable filter.
- Timestamp feature which can be used to save the calendar content. This function can be triggered by an event on the timestamp pin, or by a tamper event, or by a switch to VBAT mode.
- 17-bit auto-reload wakeup timer (WUT) for periodic events with programmable resolution and period.

The RTC and the 32 backup registers are supplied through a switch that takes power either from the  $V_{DD}$  supply when present or from the VBAT pin.

The backup registers are 32-bit registers used to store 128 bytes of user application data when  $V_{DD}$  power is not present. They are not reset by a system or power reset, or when the device wakes up from Standby or Shutdown mode.

The RTC clock sources can be:

- A 32.768 kHz external crystal (LSE)
- An external resonator or oscillator (LSE)
- The internal low power RC oscillator (LSI, with typical frequency of 32 kHz)
- The high-speed external clock (HSE) divided by 32.

The RTC is functional in VBAT mode and in all low-power modes when it is clocked by the LSE. When clocked by the LSI, the RTC is not functional in VBAT mode, but is functional in all low-power modes except Shutdown mode.

All RTC events (Alarm, WakeUp Timer, Timestamp or Tamper) can generate an interrupt and wakeup the device from the low-power modes.

### 3.27 Inter-integrated circuit interface (I<sup>2</sup>C)

The device embeds three I2C. Refer to [Table 12: I2C implementation](#) for the features implementation.

The I<sup>2</sup>C bus interface handles communications between the microcontroller and the serial I<sup>2</sup>C bus. It controls all I<sup>2</sup>C bus-specific sequencing, protocol, arbitration and timing.

The I2C peripheral supports:

- I<sup>2</sup>C-bus specification and user manual rev. 5 compatibility:
  - Slave and master modes, multimaster capability
  - Standard-mode (Sm), with a bitrate up to 100 kbit/s
  - Fast-mode (Fm), with a bitrate up to 400 kbit/s
  - Fast-mode Plus (Fm+), with a bitrate up to 1 Mbit/s and 20 mA output drive I/Os
  - 7-bit and 10-bit addressing mode, multiple 7-bit slave addresses
  - Programmable setup and hold times
  - Optional clock stretching
- System Management Bus (SMBus) specification rev 2.0 compatibility:
  - Hardware PEC (Packet Error Checking) generation and verification with ACK control
  - Address resolution protocol (ARP) support
  - SMBus alert
- Power System Management Protocol (PMBus™) specification rev 1.1 compatibility
- Independent clock: a choice of independent clock sources allowing the I2C communication speed to be independent from the PCLK reprogramming. Refer to [Figure 4: Clock tree](#).
- Wakeup from Stop mode on address match
- Programmable analog and digital noise filters
- 1-byte buffer with DMA capability

**Table 12. I2C implementation**

| I2C features <sup>(1)</sup>                                 | I2C1 | I2C2 | I2C3 |
|---|------|------|------|
| Standard-mode (up to 100 kbit/s)                            | X    | X    | X    |
| Fast-mode (up to 400 kbit/s)                                | X    | X    | X    |
| Fast-mode Plus with 20mA output drive I/Os (up to 1 Mbit/s) | X    | X    | X    |
| Programmable analog and digital noise filters               | X    | X    | X    |
| SMBus/PMBus hardware support                                | X    | X    | X    |
| Independent clock   | X    | X    | X    |
| Wakeup from Stop 0 / Stop 1 mode on address match           | X    | X    | X    |
| Wakeup from Stop 2 mode on address match                    | -    | -    | X    |

1. X: supported

### 3.28 Universal synchronous/asynchronous receiver transmitter (USART)

The STM32L486xx devices have three embedded universal synchronous receiver transmitters (USART1, USART2 and USART3) and two universal asynchronous receiver transmitters (UART4, UART5).

These interfaces provide asynchronous communication, IrDA SIR ENDEC support, multiprocessor communication mode, single-wire half-duplex communication mode and have LIN Master/Slave capability. They provide hardware management of the CTS and RTS signals, and RS485 Driver Enable. They are able to communicate at speeds of up to 10Mbit/s.

USART1, USART2 and USART3 also provide Smart Card mode (ISO 7816 compliant) and SPI-like communication capability.

All USART have a clock domain independent from the CPU clock, allowing the USARTx (x=1,2,3,4,5) to wake up the MCU from Stop mode using baudrates up to 204 Kbaud. The wake up events from Stop mode are programmable and can be:

- Start bit detection
- Any received data frame
- A specific programmed data frame

All USART interfaces can be served by the DMA controller.

**Table 13. STM32L486xx USART/UART/LPUART features**

| USART modes/features <sup>(1)</sup>   | USART1          | USART2 | USART3 | UART4 | UART5 | LPUART1 |
|---------------------------------------|-----------------|--------|--------|-------|-------|---------|
| Hardware flow control for modem       | X               | X      | X      | X     | X     | X       |
| Continuous communication using DMA    | X               | X      | X      | X     | X     | X       |
| Multiprocessor communication          | X               | X      | X      | X     | X     | X       |
| Synchronous mode                      | X               | X      | X      | -     | -     | -       |
| Smartcard mode                        | X               | X      | X      | -     | -     | -       |
| Single-wire half-duplex communication | X               | X      | X      | X     | X     | X       |
| IrDA SIR ENDEC block                  | X               | X      | X      | X     | X     | -       |
| LIN mode                              | X               | X      | X      | X     | X     | -       |
| Dual clock domain                     | X               | X      | X      | X     | X     | X       |
| Wakeup from Stop 0 / Stop 1 modes     | X               | X      | X      | X     | X     | X       |
| Wakeup from Stop 2 mode               | -               | -      | -      | -     | -     | X       |
| Receiver timeout interrupt            | X               | X      | X      | X     | X     | -       |
| Modbus communication                  | X               | X      | X      | X     | X     | -       |
| Auto baud rate detection              | X (4 modes)     |        |        |       |       | -       |
| Driver Enable                         | X               | X      | X      | X     | X     | X       |
| LPUART/USART data length              | 7, 8 and 9 bits |        |        |       |       |         |

1. X = supported.



### 3.29 Low-power universal asynchronous receiver transmitter (LPUART)

The device embeds one Low-Power UART. The LPUART supports asynchronous serial communication with minimum power consumption. It supports half duplex single wire communication and modem operations (CTS/RTS). It allows multiprocessor communication.

The LPUART has a clock domain independent from the CPU clock, and can wakeup the system from Stop mode using baudrates up to 220 Kbaud. The wake up events from Stop mode are programmable and can be:

- Start bit detection
- Any received data frame
- A specific programmed data frame

Only a 32.768 kHz clock (LSE) is needed to allow LPUART communication up to 9600 baud. Therefore, even in Stop mode, the LPUART can wait for an incoming frame while having an extremely low energy consumption. Higher speed clock can be used to reach higher baudrates.

LPUART interface can be served by the DMA controller.

### 3.30 Serial peripheral interface (SPI)

Three SPI interfaces allow communication up to 40 Mbits/s in master and up to 24 Mbits/s slave modes, in half-duplex, full-duplex and simplex modes. The 3-bit prescaler gives 8 master mode frequencies and the frame size is configurable from 4 bits to 16 bits. The SPI interfaces support NSS pulse mode, TI mode and Hardware CRC calculation.

All SPI interfaces can be served by the DMA controller.

### 3.31 Serial audio interfaces (SAI)

The device embeds 2 SAI. Refer to [Table 14: SAI implementation](#) for the features implementation. The SAI bus interface handles communications between the microcontroller and the serial audio protocol.

The SAI peripheral supports:

- Two independent audio sub-blocks which can be transmitters or receivers with their respective FIFO.
- 8-word integrated FIFOs for each audio sub-block.
- Synchronous or asynchronous mode between the audio sub-blocks.
- Master or slave configuration independent for both audio sub-blocks.
- Clock generator for each audio block to target independent audio frequency sampling when both audio sub-blocks are configured in master mode.
- Data size configurable: 8-, 10-, 16-, 20-, 24-, 32-bit.
- Peripheral with large configurability and flexibility allowing to target as example the following audio protocol: I2S, LSB or MSB-justified, PCM/DSP, TDM, AC'97 and SPDIF out.
- Up to 16 slots available with configurable size and with the possibility to select which ones are active in the audio frame.
- Number of bits by frame may be configurable.
- Frame synchronization active level configurable (offset, bit length, level).
- First active bit position in the slot is configurable.
- LSB first or MSB first for data transfer.
- Mute mode.
- Stereo/Mono audio frame capability.
- Communication clock strobing edge configurable (SCK).
- Error flags with associated interrupts if enabled respectively.
  - Overrun and underrun detection.
  - Anticipated frame synchronization signal detection in slave mode.
  - Late frame synchronization signal detection in slave mode.
  - Codec not ready for the AC'97 mode in reception.
- Interruption sources when enabled:
  - Errors.
  - FIFO requests.
- DMA interface with 2 dedicated channels to handle access to the dedicated integrated FIFO of each SAI audio sub-block.

Table 14. SAI implementation

| SAI features <sup>(1)</sup>                            | SAI1       | SAI2       |
|--|------------|------------|
| I2S, LSB or MSB-justified, PCM/DSP, TDM, AC'97         | X          | X          |
| Mute mode  | X          | X          |
| Stereo/Mono audio frame capability.                    | X          | X          |
| 16 slots   | X          | X          |
| Data size configurable: 8-, 10-, 16-, 20-, 24-, 32-bit | X          | X          |
| FIFO Size  | X (8 Word) | X (8 Word) |
| SPDIF  | X          | X          |

1. X: supported

### 3.32 Single wire protocol master interface (SWPMI)

The Single wire protocol master interface (SWPMI) is the master interface corresponding to the Contactless Frontend (CLF) defined in the ETSI TS 102 613 technical specification. The main features are:

- full-duplex communication mode
- automatic SWP bus state management (active, suspend, resume)
- configurable bitrate up to 2 Mbit/s
- automatic SOF, EOF and CRC handling

SWPMI can be served by the DMA controller.

### 3.33 Controller area network (CAN)

The CAN is compliant with specifications 2.0A and B (active) with a bit rate up to 1 Mbit/s. It can receive and transmit standard frames with 11-bit identifiers as well as extended frames with 29-bit identifiers. It has three transmit mailboxes, two receive FIFOs with 3 stages and 14 scalable filter banks.



The CAN peripheral supports:

- Supports CAN protocol version 2.0 A, B Active
- Bit rates up to 1 Mbit/s
- Transmission
  - Three transmit mailboxes
  - Configurable transmit priority
- Reception
  - Two receive FIFOs with three stages
  - 14 Scalable filter banks
  - Identifier list feature
  - Configurable FIFO overrun
- Time-triggered communication option
  - Disable automatic retransmission mode
  - 16-bit free running timer
  - Time Stamp sent in last two data bytes
- Management
  - Maskable interrupts
  - Software-efficient mailbox mapping at a unique address space

### 3.34 Secure digital input/output and MultiMediaCards Interface (SDMMC)

The card host interface (SDMMC) provides an interface between the APB peripheral bus and MultiMediaCards (MMCs), SD memory cards and SDIO cards.

The SDMMC features include the following:

- Full compliance with MultiMediaCard System Specification Version 4.2. Card support for three different databus modes: 1-bit (default), 4-bit and 8-bit
- Full compatibility with previous versions of MultiMediaCards (forward compatibility)
- Full compliance with SD Memory Card Specifications Version 2.0
- Full compliance with SD I/O Card Specification Version 2.0: card support for two different databus modes: 1-bit (default) and 4-bit
- Data transfer up to 48 MHz for the 8 bit mode
- Data write and read with DMA capability

### 3.35 Universal serial bus on-the-go full-speed (OTG\_FS)

The devices embed an USB OTG full-speed device/host/OTG peripheral with integrated transceivers. The USB OTG FS peripheral is compliant with the USB 2.0 specification and with the OTG 2.0 specification. It has software-configurable endpoint setting and supports suspend/resume. The USB OTG controller requires a dedicated 48 MHz clock that can be provided by the internal multispeed oscillator (MSI) automatically trimmed by 32.768 kHz external oscillator (LSE). This allows to use the USB device without external high speed crystal (HSE).

The major features are:

- Combined Rx and Tx FIFO size of 1.25 KB with dynamic FIFO sizing
- Supports the session request protocol (SRP) and host negotiation protocol (HNP)
- 1 bidirectional control endpoint + 5 IN endpoints + 5 OUT endpoints
- 12 host channels with periodic OUT support
- HNP/SNP/IP inside (no need for any external resistor)
- USB 2.0 LPM (Link Power Management) support
- Battery Charging Specification Revision 1.2 support
- Internal FS OTG PHY support

For OTG/Host modes, a power switch is needed in case bus-powered devices are connected.

### 3.36 Flexible static memory controller (FSMC)

The Flexible static memory controller (FSMC) includes two memory controllers:

- The NOR/PSRAM memory controller
- The NAND/memory controller

This memory controller is also named Flexible memory controller (FMC).

The main features of the FMC controller are the following:

- Interface with static-memory mapped devices including:
  - Static random access memory (SRAM)
  - NOR Flash memory/OneNAND Flash memory
  - PSRAM (4 memory banks)
  - NAND Flash memory with ECC hardware to check up to 8 Kbyte of data
- 8-,16- bit data bus width
- Independent Chip Select control for each memory bank
- Independent configuration for each memory bank
- Write FIFO
- The Maximum FMC\_CLK frequency for synchronous accesses is HCLK/2.

#### LCD parallel interface

The FMC can be configured to interface seamlessly with most graphic LCD controllers. It supports the Intel 8080 and Motorola 6800 modes, and is flexible enough to adapt to specific LCD interfaces. This LCD parallel interface capability makes it easy to build cost effective graphic applications using LCD modules with embedded controllers or high performance solutions using external controllers with dedicated acceleration.

### 3.37 Quad SPI memory interface (QUADSPI)

The Quad SPI is a specialized communication interface targeting single, dual or quad SPI flash memories. It can operate in any of the three following modes:

- Indirect mode: all the operations are performed using the QUADSPI registers
- Status polling mode: the external flash status register is periodically read and an interrupt can be generated in case of flag setting
- Memory-mapped mode: the external Flash is memory mapped and is seen by the system as if it were an internal memory

The Quad SPI interface supports:

- Three functional modes: indirect, status-polling, and memory-mapped
- SDR and DDR support
- Fully programmable opcode for both indirect and memory mapped mode
- Fully programmable frame format for both indirect and memory mapped mode
- Each of the 5 following phases can be configured independently (enable, length, single/dual/quad communication)
  - Instruction phase
  - Address phase
  - Alternate bytes phase
  - Dummy cycles phase
  - Data phase
- Integrated FIFO for reception and transmission
- 8, 16, and 32-bit data accesses are allowed
- DMA channel for indirect mode operations
- Programmable masking for external flash flag management
- Timeout management
- Interrupt generation on FIFO threshold, timeout, status match, operation complete, and access error

## 3.38 Development support

### 3.38.1 Serial wire JTAG debug port (SWJ-DP)

The Arm® SWJ-DP interface is embedded, and is a combined JTAG and serial wire debug port that enables either a serial wire debug or a JTAG probe to be connected to the target.

Debug is performed using 2 pins only instead of 5 required by the JTAG (JTAG pins could be re-use as GPIO with alternate function): the JTAG TMS and TCK pins are shared with SWDIO and SWCLK, respectively, and a specific sequence on the TMS pin is used to switch between JTAG-DP and SW-DP.

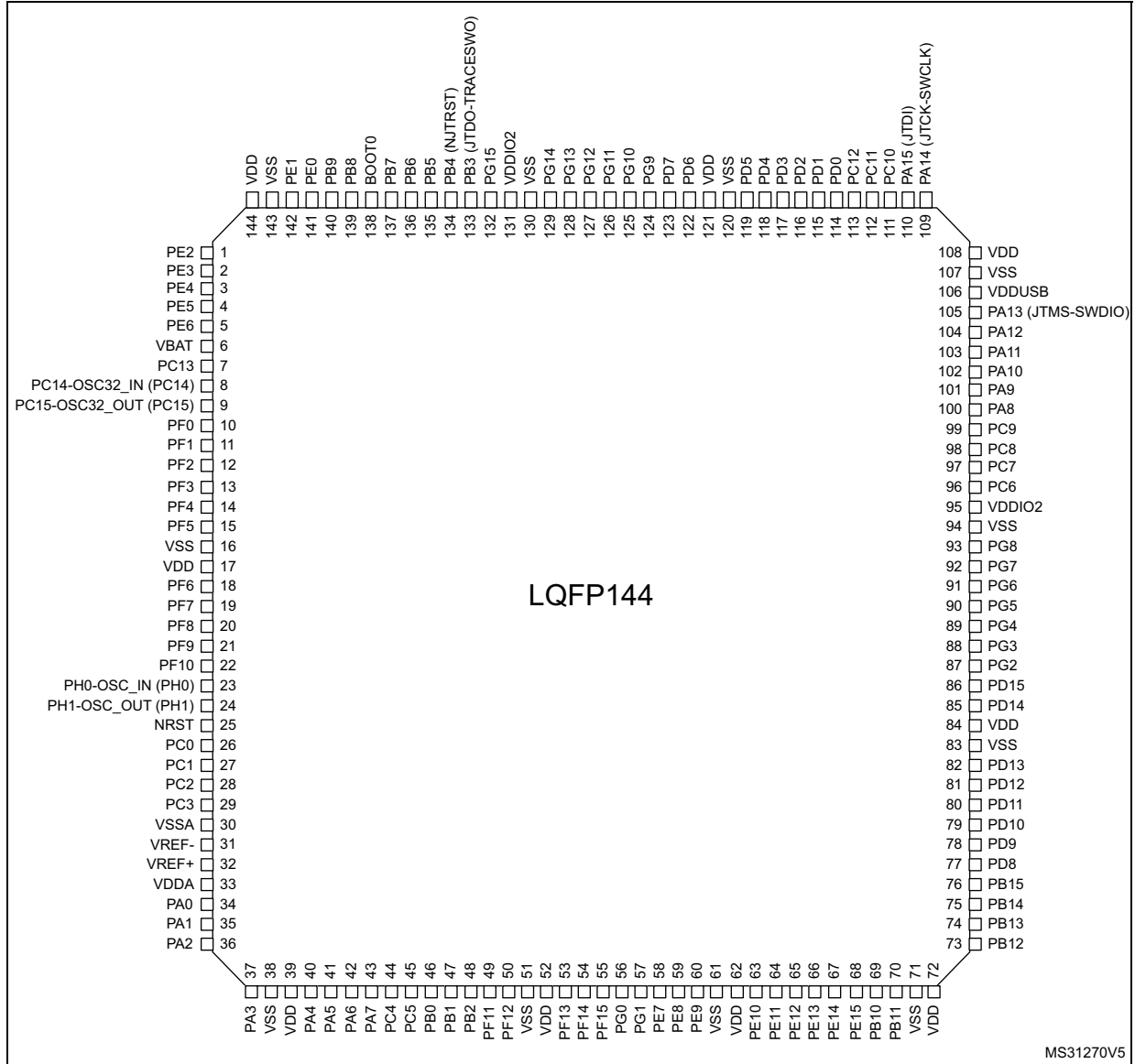
### 3.38.2 Embedded Trace Macrocell™

The Arm® Embedded Trace Macrocell™ provides a greater visibility of the instruction and data flow inside the CPU core by streaming compressed data at a very high rate from the STM32L486xx through a small number of ETM pins to an external hardware trace port analyzer (TPA) device. Real-time instruction and data flow activity be recorded and then formatted for display on the host computer that runs the debugger software. TPA hardware is commercially available from common development tool vendors.

The Embedded Trace Macrocell™ operates with third party debugger software tools.

# 4 Pinouts and pin description

Figure 6. STM32L486Zx LQFP144 pinout<sup>(1)</sup>



MS31270V5

1. The above figure shows the package top view.

Figure 7. STM32L486Zx, external SMPS device, LQFP144 pinout<sup>(1)</sup>



MSv43895V2

1. The above figure shows the package top view.

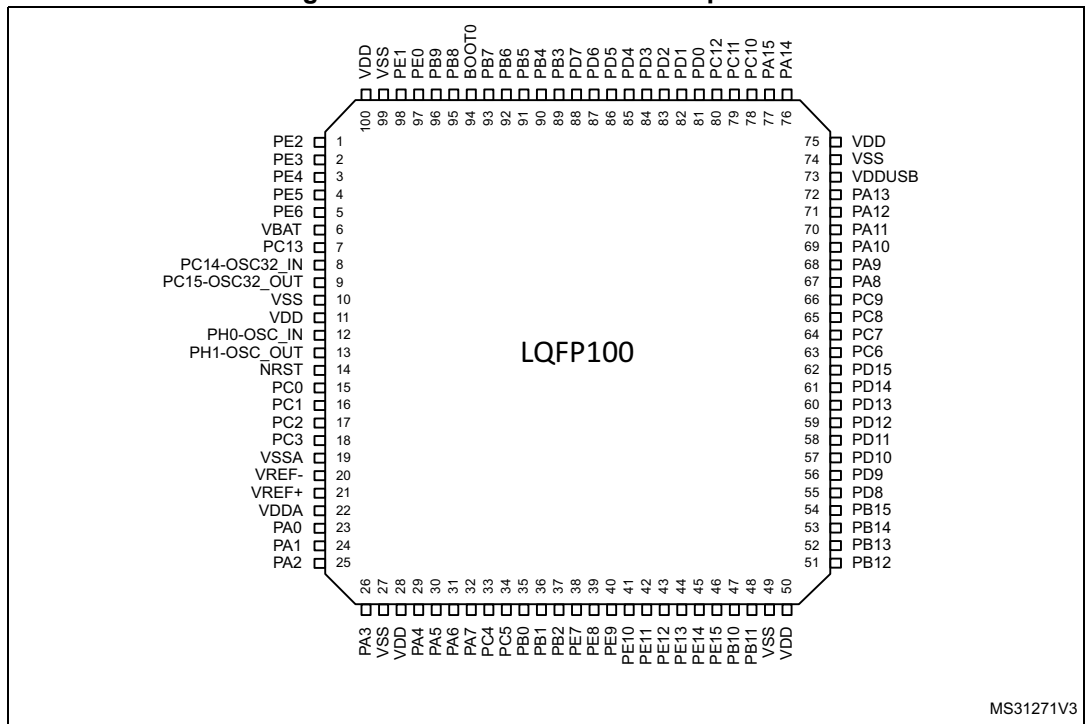
Figure 8. STM32L486Qx UFBGA132 ballout<sup>(1)</sup>

|     | 1              | 2    | 3           | 4           | 5  | 6    | 7    | 8    | 9    | 10   | 11     | 12     |     |     |     |     |
|-----|----------------|------|-------------|-------------|--|------|------|------|------|------|--------|--------|-----|-----|-----|-----|
| A   | PE3            | PE1  | PB8         | BOOT0       | PD7  | PD5  | PB4  | PB3  | PA15 | PA14 | PA13   | PA12   |     |     |     |     |
| B   | PE4            | PE2  | PB9         | PB7         | PB6  | PD6  | PD4  | PD3  | PD1  | PC12 | PC10   | PA11   |     |     |     |     |
| C   | PC13           | PE5  | PE0         | VDD         | PB5  | PG14 | PG13 | PD2  | PD0  | PC11 | VDDUSB | PA10   |     |     |     |     |
| D   | PC14-OSC32_IN  | PE6  | VSS         | PF2         | PF1  | PF0  | PG12 | PG10 | PG9  | PA9  | PA8    | PC9    |     |     |     |     |
| E   | PC15-OSC32_OUT | VBAT | VSS         | PF3         | <table border="1" style="margin: auto;"> <tr> <td>VSS</td> <td>VSS</td> </tr> <tr> <td>VDD</td> <td>VDDIO2</td> </tr> </table> |      |      |      | VSS  | VSS  | VDD    | VDDIO2 | PG5 | PC8 | PC7 | PC6 |
| VSS | VSS            |      |             |             |  |      |      |      |      |      |        |        |     |     |     |     |
| VDD | VDDIO2         |      |             |             |  |      |      |      |      |      |        |        |     |     |     |     |
| F   | PH0-OSC_IN     | VSS  | PF4         | PF5         | PG3  | PG4  | VSS  | VSS  |      |      |        |        |     |     |     |     |
| G   | PH1-OSC_OUT    | VDD  | PG11        | PG6         | PG1  | PG2  | VDD  | VDD  |      |      |        |        |     |     |     |     |
| H   | PC0            | NRST | VDD         | PG7         | PG0  | PD15 | PD14 | PD13 |      |      |        |        |     |     |     |     |
| J   | VSSA/VREF-     | PC1  | PC2         | PA4         | PA7  | PG8  | PF12 | PF14 | PF15 | PD12 | PD11   | PD10   |     |     |     |     |
| K   | PG15           | PC3  | PA2         | PA5         | PC4  | PF11 | PF13 | PD9  | PD8  | PB15 | PB14   | PB13   |     |     |     |     |
| L   | VREF+          | PA0  | PA3         | PA6         | PC5  | PB2  | PE8  | PE10 | PE12 | PB10 | PB11   | PB12   |     |     |     |     |
| M   | VDDA           | PA1  | OPAMP1_VINM | OPAMP2_VINM | PB0  | PB1  | PE7  | PE9  | PE11 | PE13 | PE14   | PE15   |     |     |     |     |

MSv35003V7

1. The above figure shows the package top view.

Figure 9. STM32L486Vx LQFP100 pinout<sup>(1)</sup>



MS31271V3

1. The above figure shows the package top view.

Figure 10. STM32L486Jx WLCSP72 ballout<sup>(1)</sup>

|   | 1      | 2    | 3    | 4       | 5    | 6      | 7     | 8              | 9             |
|---|--------|------|------|---------|------|--------|-------|----------------|---------------|
| A | VDDUSB | PA15 | PD2  | PG9     | PG14 | PB3    | PB7   | VSS            | VDD           |
| B | VSS    | PA14 | PC12 | PG10    | PG13 | VDDIO2 | PB6   | PC13           | VBAT          |
| C | PA12   | PA13 | PC11 | PG11    | PG12 | PB4    | PB5   | PC15-OSC32_OUT | PC14-OSC32_IN |
| D | PA11   | PA10 | PC10 | WLCSP72 |      |        | BOOT0 | PH1-OSC_OUT    | PH0-OSC_IN    |
| E | PC9    | PA8  | PA9  |         |      |        | PB8   | PB9            | NRST          |
| F | PC7    | PC8  | PC6  |         |      |        | PC2   | PC1            | PC0           |
| G | PB15   | PB14 | PB11 |         |      |        | PA1   | PA4            | PA2           |
| H | PB12   | PB13 | PB10 | PA7     | PA6  | PA5    | PA3   | PA0            | VDDA          |
| J | VDD    | VSS  | PB2  | PB1     | PB0  | PC5    | PC4   | VDD            | VSS           |

MSv35083V7

1. The above figure shows the package top view.

Figure 11. STM32L486Jx, external SMPS device, WLCSP72 ballout<sup>(1)</sup>

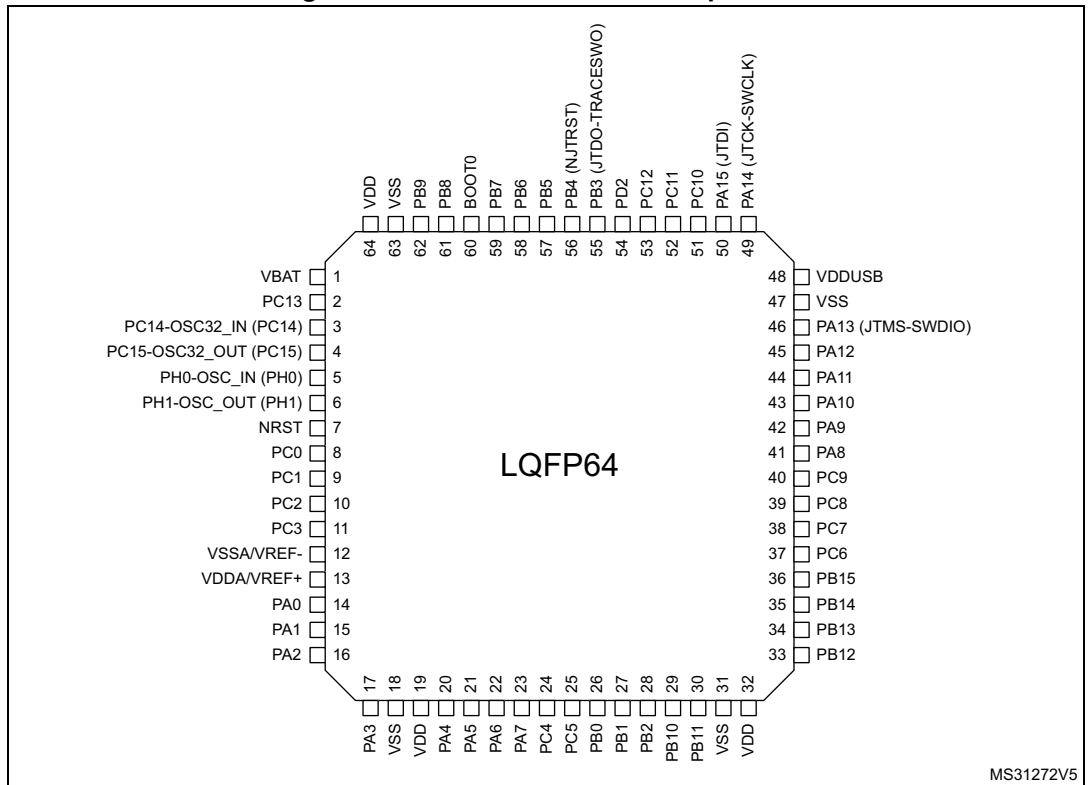
|   | 1      | 2    | 3    | 4       | 5    | 6      | 7     | 8              | 9             |
|---|--------|------|------|---------|------|--------|-------|----------------|---------------|
| A | VDDUSB | PC10 | PD2  | PG9     | PG14 | PB3    | BOOT0 | VSS            | VDD           |
| B | VSS    | PA14 | PC12 | PG10    | PG13 | VDDIO2 | PB7   | VDD12          | VBAT          |
| C | PA12   | PA13 | PA15 | PG12    | PB4  | PB8    | PC13  | PC15-OSC32_OUT | PC14-OSC32_IN |
| D | PA11   | PA10 | PC11 | WLCSP72 |      |        | PB9   | PH1-OSC_OUT    | PH0-OSC_IN    |
| E | PC9    | PA8  | PA9  |         |      |        | PB5   | PB6            | NRST          |
| F | VDD    | PC7  | PC8  |         |      |        | PC2   | PC1            | PC0           |
| G | PB15   | PC6  | PB14 |         |      |        | PA2   | PA0            | PA1           |
| H | PB12   | PB13 | PB11 | PA7     | PA5  | PA4    | PA3   | VDD            | VDDA          |
| J | VDD12  | VSS  | PB10 | PB0     | PB1  | PB2    | PC4   | PA6            | VSS           |

MSv43896V1

1. The above figure shows the package top view.

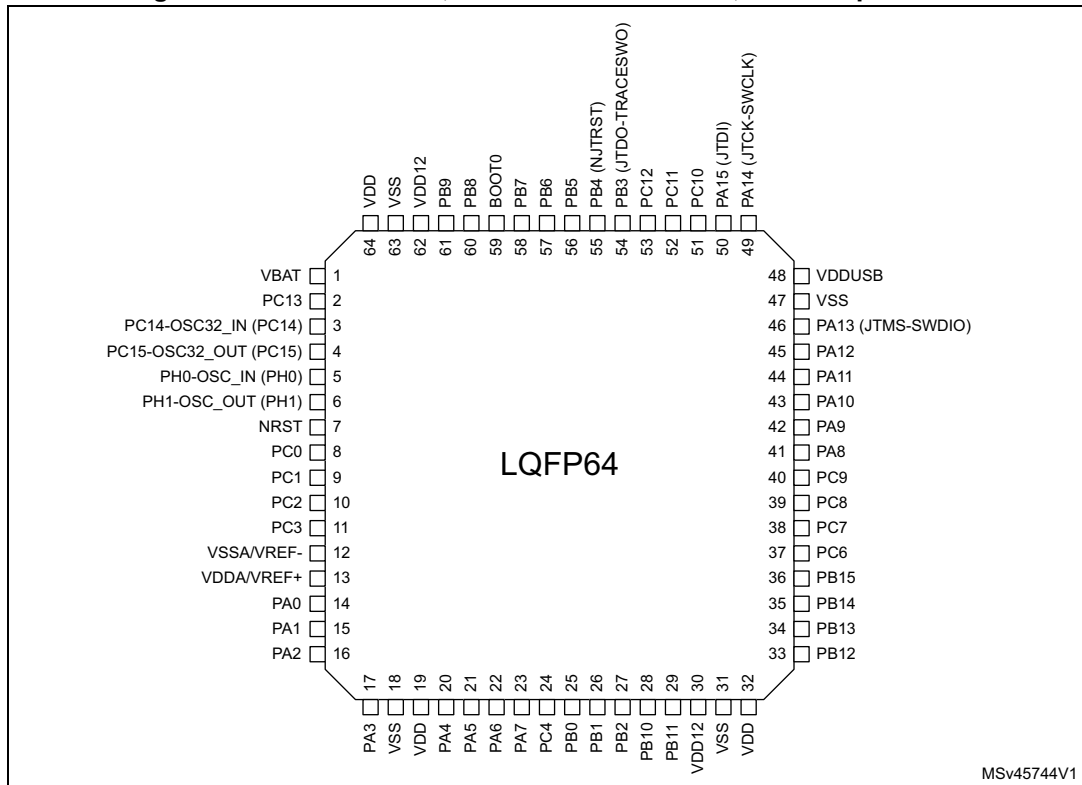


Figure 12. STM32L486Rx LQFP64 pinout<sup>(1)</sup>



1. The above figure shows the package top view.

Figure 13. STM32L486Rx, external SMPS device, LQFP64 pinout<sup>(1)</sup>



1. The above figure shows the package top view.

Table 15. Legend/abbreviations used in the pinout table

| Name              | Abbreviation  | Definition  |
|-------------------|---|---|
| Pin name          | Unless otherwise specified in brackets below the pin name, the pin function during and after reset is the same as the actual pin name |   |
| Pin type          | S   | Supply pin  |
|                   | I   | Input only pin  |
|                   | I/O   | Input / output pin  |
| I/O structure     | FT  | 5 V tolerant I/O  |
|                   | TT  | 3.6 V tolerant I/O  |
|                   | B   | Dedicated BOOT0 pin   |
|                   | RST   | Bidirectional reset pin with embedded weak pull-up resistor   |
|                   | <b>Option for TT or FT I/Os</b>   |   |
|                   | _f <sup>(1)</sup>   | I/O, Fm+ capable  |
|                   | _l <sup>(2)</sup>   | I/O, with LCD function supplied by V <sub>LCD</sub>           |
|                   | _u <sup>(3)</sup>   | I/O, with USB function supplied by V <sub>DDUSB</sub>         |
|                   | _a <sup>(4)</sup>   | I/O, with Analog switch function supplied by V <sub>DDA</sub> |
| _s <sup>(5)</sup> | I/O supplied only by V <sub>DDIO2</sub>   |   |

**Table 15. Legend/abbreviations used in the pinout table (continued)**

| Name          |                      | Abbreviation  | Definition |
|---------------|----------------------|---|------------|
| Notes         |                      | Unless otherwise specified by a note, all I/Os are set as analog inputs during and after reset. |            |
| Pin functions | Alternate functions  | Functions selected through GPIOx_AFR registers  |            |
|               | Additional functions | Functions directly selected/enabled through peripheral registers                                |            |

1. The related I/O structures in [Table 16](#) are: FT\_f, FT\_fa, FT\_fl, FT fla.
2. The related I/O structures in [Table 16](#) are: FT\_l, FT\_fl, FT\_lu.
3. The related I/O structures in [Table 16](#) are: FT\_u, FT\_lu.
4. The related I/O structures in [Table 16](#) are: FT\_a, FT\_la, FT\_fa, FT fla, TT\_a, TT\_la.
5. The related I/O structures in [Table 16](#) are: FT\_s, FT\_fs.

**Table 16. STM32L486xx pin definitions**

| Pin Number |             |         |              |         |          |         |              | Pin name<br>(function after reset) | Pin type | I/O structure | Notes | Pin functions  |                      |
|------------|-------------|---------|--------------|---------|----------|---------|--------------|------------------------------------|----------|---------------|-------|--|----------------------|
| LQFP64     | LQFP64_SMPS | WLCSP72 | WLCSP72_SMPS | LQFP100 | UFPGA132 | LQFP144 | LQFP144_SMPS |                                    |          |               |       | Alternate functions  | Additional functions |
| -          | -           | -       | -            | 1       | B2       | 1       | 1            | PE2                                | I/O      | FT_I          | -     | TRACECK,<br>TIM3_ETR,<br>TSC_G7_IO1,<br>LCD_SEG38,<br>FMC_A23,<br>SAI1_MCLK_A,<br>EVENTOUT   | -                    |
| -          | -           | -       | -            | 2       | A1       | 2       | 2            | PE3                                | I/O      | FT_I          | -     | TRACED0,<br>TIM3_CH1,<br>TSC_G7_IO2,<br>LCD_SEG39,<br>FMC_A19,<br>SAI1_SD_B,<br>EVENTOUT     | -                    |
| -          | -           | -       | -            | 3       | B1       | 3       | 3            | PE4                                | I/O      | FT            | -     | TRACED1,<br>TIM3_CH2,<br>DFSDM1_DATIN3,<br>TSC_G7_IO3,<br>FMC_A20,<br>SAI1_FS_A,<br>EVENTOUT | -                    |

Table 16. STM32L486xx pin definitions (continued)

| Pin Number |             |         |              |         |          |         |              | Pin name<br>(function after<br>reset) | Pin type | I/O structure | Notes      | Pin functions  |  |
|------------|-------------|---------|--------------|---------|----------|---------|--------------|---------------------------------------|----------|---------------|------------|--|--|
| LQFP64     | LQFP64_SMPS | WLCSP72 | WLCSP72_SMPS | LQFP100 | UFBGA132 | LQFP144 | LQFP144_SMPS |                                       |          |               |            | Alternate functions  | Additional functions                           |
| -          | -           | -       | -            | 4       | C2       | 4       | 4            | PE5                                   | I/O      | FT            | -          | TRACED2,<br>TIM3_CH3,<br>DFSDM1_CKIN3,<br>TSC_G7_IO4,<br>FMC_A21,<br>SAI1_SCK_A,<br>EVENTOUT | -  |
| -          | -           | -       | -            | 5       | D2       | 5       | 5            | PE6                                   | I/O      | FT            | -          | TRACED3,<br>TIM3_CH4,<br>FMC_A22,<br>SAI1_SD_A,<br>EVENTOUT                                  | RTC_<br>TAMP3/<br>WKUP3                        |
| 1          | 1           | B9      | B9           | 6       | E2       | 6       | 6            | VBAT                                  | S        | -             | -          | -  | -  |
| 2          | 2           | B8      | C7           | 7       | C1       | 7       | 7            | PC13                                  | I/O      | FT            | (1)<br>(2) | EVENTOUT   | RTC_<br>TAMP1/<br>RTC_TS/<br>RTC_OUT/<br>WKUP2 |
| 3          | 3           | C9      | C9           | 8       | D1       | 8       | 8            | PC14-<br>OSC32_IN<br>(PC14)           | I/O      | FT            | (1)<br>(2) | EVENTOUT   | OSC32_IN                                       |
| 4          | 4           | C8      | C8           | 9       | E1       | 9       | 9            | PC15-<br>OSC32_OUT<br>(PC15)          | I/O      | FT            | (1)<br>(2) | EVENTOUT   | OSC32_<br>OUT                                  |
| -          | -           | -       | -            | -       | D6       | 10      | 10           | PF0                                   | I/O      | FT_f          | -          | I2C2_SDA, FMC_A0,<br>EVENTOUT  | -  |
| -          | -           | -       | -            | -       | D5       | 11      | 11           | PF1                                   | I/O      | FT_f          | -          | I2C2_SCL, FMC_A1,<br>EVENTOUT  | -  |
| -          | -           | -       | -            | -       | D4       | 12      | 12           | PF2                                   | I/O      | FT            | -          | I2C2_SMBA,<br>FMC_A2,<br>EVENTOUT  | -  |
| -          | -           | -       | -            | -       | E4       | 13      | 13           | PF3                                   | I/O      | FT_a          | -          | FMC_A3,<br>EVENTOUT  | ADC3_IN6                                       |
| -          | -           | -       | -            | -       | F3       | 14      | 14           | PF4                                   | I/O      | FT_a          | -          | FMC_A4,<br>EVENTOUT  | ADC3_IN7                                       |
| -          | -           | -       | -            | -       | F4       | 15      | 15           | PF5                                   | I/O      | FT_a          | -          | FMC_A5,<br>EVENTOUT  | ADC3_IN8                                       |
| -          | -           | -       | -            | 10      | F2       | 16      | 16           | VSS                                   | S        | -             | -          | -  | -  |
| -          | -           | -       | -            | 11      | G2       | 17      | 17           | VDD                                   | S        | -             | -          | -  | -  |



Table 16. STM32L486xx pin definitions (continued)

| Pin Number |             |         |              |         |          |         |              | Pin name<br>(function after<br>reset) | Pin type | I/O structure | Notes | Pin functions  |                      |
|------------|-------------|---------|--------------|---------|----------|---------|--------------|---------------------------------------|----------|---------------|-------|--|----------------------|
| LQFP64     | LQFP64_SMPS | WLCSP72 | WLCSP72_SMPS | LQFP100 | UFBGA132 | LQFP144 | LQFP144_SMPS |                                       |          |               |       | Alternate functions  | Additional functions |
| -          | -           | -       | -            | -       | -        | 18      | 18           | PF6                                   | I/O      | FT_a          | -     | TIM5_ETR,<br>TIM5_CH1,<br>SAI1_SD_B,<br>EVENTOUT   | ADC3_IN9             |
| -          | -           | -       | -            | -       | -        | 19      | 19           | PF7                                   | I/O      | FT_a          | -     | TIM5_CH2,<br>SAI1_MCLK_B,<br>EVENTOUT  | ADC3_IN10            |
| -          | -           | -       | -            | -       | -        | 20      | 20           | PF8                                   | I/O      | FT_a          | -     | TIM5_CH3,<br>SAI1_SCK_B,<br>EVENTOUT   | ADC3_IN11            |
| -          | -           | -       | -            | -       | -        | 21      | 21           | PF9                                   | I/O      | FT_a          | -     | TIM5_CH4,<br>SAI1_FS_B,<br>TIM15_CH1,<br>EVENTOUT  | ADC3_IN12            |
| -          | -           | -       | -            | -       | -        | 22      | 22           | PF10                                  | I/O      | FT_a          | -     | TIM15_CH2,<br>EVENTOUT   | ADC3_IN13            |
| 5          | 5           | D9      | D9           | 12      | F1       | 23      | 23           | PH0-OSC_IN<br>(PH0)                   | I/O      | FT            | -     | EVENTOUT   | OSC_IN               |
| 6          | 6           | D8      | D8           | 13      | G1       | 24      | 24           | PH1-OSC_OUT<br>(PH1)                  | I/O      | FT            | -     | EVENTOUT   | OSC_OUT              |
| 7          | 7           | E9      | E9           | 14      | H2       | 25      | 25           | NRST                                  | I/O      | RST           | -     | -  | -                    |
| 8          | 8           | F9      | F9           | 15      | H1       | 26      | 26           | PC0                                   | I/O      | FT_fla        | -     | LPTIM1_IN1,<br>I2C3_SCL,<br>DFSDM1_DATIN4,<br>LPUART1_RX,<br>LCD_SEG18,<br>LPTIM2_IN1,<br>EVENTOUT | ADC123_<br>IN1       |
| 9          | 9           | F8      | F8           | 16      | J2       | 27      | 27           | PC1                                   | I/O      | FT_fla        | -     | LPTIM1_OUT,<br>I2C3_SDA,<br>DFSDM1_CKIN4,<br>LPUART1_TX,<br>LCD_SEG19,<br>EVENTOUT                 | ADC123_<br>IN2       |
| 10         | 10          | F7      | F7           | 17      | J3       | 28      | 28           | PC2                                   | I/O      | FT_la         | -     | LPTIM1_IN2,<br>SPI2_MISO,<br>DFSDM1_CKOUT,<br>LCD_SEG20,<br>EVENTOUT                               | ADC123_<br>IN3       |



Table 16. STM32L486xx pin definitions (continued)

| Pin Number |             |         |              |         |          |         |              | Pin name<br>(function after<br>reset) | Pin type | I/O structure | Notes | Pin functions  |   |
|------------|-------------|---------|--------------|---------|----------|---------|--------------|---------------------------------------|----------|---------------|-------|--|---|
| LQFP64     | LQFP64_SMPS | WLCSP72 | WLCSP72_SMPS | LQFP100 | UFBGA132 | LQFP144 | LQFP144_SMPS |                                       |          |               |       | Alternate functions  | Additional functions                                      |
| 11         | 11          | G7      | G7           | 18      | K2       | 29      | 29           | PC3                                   | I/O      | FT_a          | -     | LPTIM1_ETR,<br>SPI2_MOSI,<br>LCD_VLCD,<br>SAI1_SD_A,<br>LPTIM2_ETR,<br>EVENTOUT                          | ADC123_<br>IN4  |
| -          | -           | -       | -            | 19      | -        | 30      | 30           | VSSA                                  | S        | -             | -     | -  | -   |
| -          | -           | -       | -            | 20      | -        | 31      | 31           | VREF-                                 | S        | -             | -     | -  | -   |
| 12         | 12          | G9      | G9           | -       | J1       | -       | -            | VSSA/VREF-                            | S        | -             | -     | -  | -   |
| -          | -           | G8      | G8           | 21      | L1       | 32      | 32           | VREF+                                 | S        | -             | -     | -  | VREFBUF_<br>OUT   |
| -          | -           | H9      | H9           | 22      | M1       | 33      | 33           | VDDA                                  | S        | -             | -     | -  | -   |
| 13         | 13          | -       | -            | -       | -        | -       | -            | VDDA/VREF+                            | S        | -             | -     | -  | -   |
| 14         | 14          | H8      | G5           | 23      | L2       | 34      | 34           | PA0                                   | I/O      | FT_a          | -     | TIM2_CH1,<br>TIM5_CH1,<br>TIM8_ETR,<br>USART2_CTS,<br>UART4_TX,<br>SAI1_EXTCLK,<br>TIM2_ETR,<br>EVENTOUT | OPAMP1_<br>VINP,<br>ADC12_IN5,<br>RTC_<br>TAMP2/<br>WKUP1 |
| -          | -           | -       | -            | -       | M3       | -       | -            | OPAMP1_VINM                           | I        | TT            | -     | -  | -   |
| 15         | 15          | G4      | G6           | 24      | M2       | 35      | 35           | PA1                                   | I/O      | FT_la         | (3)   | TIM2_CH2,<br>TIM5_CH2,<br>USART2_RTS_DE,<br>UART4_RX,<br>LCD_SEG0,<br>TIM15_CH1N,<br>EVENTOUT            | OPAMP1_<br>VINM,<br>ADC12_IN6                             |
| 16         | 16          | G6      | G4           | 25      | K3       | 36      | 36           | PA2                                   | I/O      | FT_la         | -     | TIM2_CH3,<br>TIM5_CH3,<br>USART2_TX,<br>LCD_SEG1,<br>SAI2_EXTCLK,<br>TIM15_CH1,<br>EVENTOUT              | ADC12_IN7,<br>WKUP4/<br>LSCO                              |

Table 16. STM32L486xx pin definitions (continued)

| Pin Number |             |         |              |         |          |         |              | Pin name<br>(function after<br>reset) | Pin type | I/O structure | Notes | Pin functions   |                                    |
|------------|-------------|---------|--------------|---------|----------|---------|--------------|---------------------------------------|----------|---------------|-------|---|------------------------------------|
| LQFP64     | LQFP64_SMPS | WLCSP72 | WLCSP72_SMPS | LQFP100 | UFBGA132 | LQFP144 | LQFP144_SMPS |                                       |          |               |       | Alternate functions   | Additional functions               |
| 17         | 17          | H7      | H7           | 26      | L3       | 37      | 37           | PA3                                   | I/O      | TT_la         | -     | TIM2_CH4,<br>TIM5_CH4,<br>USART2_RX,<br>LCD_SEG2,<br>TIM15_CH2,<br>EVENTOUT   | OPAMP1_<br>VOUT,<br>ADC12_IN8      |
| 18         | 18          | J9      | J9           | 27      | E3       | 38      | 38           | VSS                                   | S        | -             | -     | -   | -                                  |
| 19         | 19          | J8      | H8           | 28      | H3       | 39      | 39           | VDD                                   | S        | -             | -     | -   | -                                  |
| 20         | 20          | G5      | H6           | 29      | J4       | 40      | 40           | PA4                                   | I/O      | TT_a          | -     | SPI1_NSS,<br>SPI3_NSS,<br>USART2_CK,<br>SAI1_FS_B,<br>LPTIM2_OUT,<br>EVENTOUT   | ADC12_<br>IN9, DAC1_<br>OUT1       |
| 21         | 21          | H6      | H5           | 30      | K4       | 41      | 41           | PA5                                   | I/O      | TT_a          | -     | TIM2_CH1,<br>TIM2_ETR,<br>TIM8_CH1N,<br>SPI1_SCK,<br>LPTIM2_ETR,<br>EVENTOUT  | ADC12_<br>IN10,<br>DAC1_<br>OUT2   |
| 22         | 22          | H5      | J8           | 31      | L4       | 42      | 42           | PA6                                   | I/O      | FT_la         | -     | TIM1_BKIN,<br>TIM3_CH1,<br>TIM8_BKIN,<br>SPI1_MISO,<br>USART3_CTS,<br>QUADSPI_BK1_IO3,<br>LCD_SEG3,<br>TIM1_BKIN_COMP2,<br>TIM8_BKIN_COMP2,<br>TIM16_CH1,<br>EVENTOUT | OPAMP2_<br>VINP,<br>ADC12_<br>IN11 |
| -          | -           | -       | -            | -       | M4       | -       | -            | OPAMP2_VINM                           | I        | TT            | -     | -   | -                                  |
| 23         | 23          | H4      | H4           | 32      | J5       | 43      | 43           | PA7                                   | I/O      | FT_la         | (3)   | TIM1_CH1N,<br>TIM3_CH2,<br>TIM8_CH1N,<br>SPI1_MOSI,<br>QUADSPI_BK1_IO2,<br>LCD_SEG4,<br>TIM17_CH1,<br>EVENTOUT  | OPAMP2_<br>VINM,<br>ADC12_<br>IN12 |



Table 16. STM32L486xx pin definitions (continued)

| Pin Number |             |         |              |         |          |         |              | Pin name<br>(function after<br>reset) | Pin type | I/O structure | Notes | Pin functions   |  |
|------------|-------------|---------|--------------|---------|----------|---------|--------------|---------------------------------------|----------|---------------|-------|---|--|
| LQFP64     | LQFP64_SMPS | WLCSP72 | WLCSP72_SMPS | LQFP100 | UFBGA132 | LQFP144 | LQFP144_SMPS |                                       |          |               |       | Alternate functions   | Additional functions                       |
| 24         | 24          | J7      | J7           | 33      | K5       | 44      | 44           | PC4                                   | I/O      | FT_la         | -     | USART3_TX,<br>LCD_SEG22,<br>EVENTOUT  | COMP1_<br>INM,<br>ADC12_<br>IN13           |
| 25         | -           | J6      | -            | 34      | L5       | 45      | 45           | PC5                                   | I/O      | FT_la         | -     | USART3_RX,<br>LCD_SEG23,<br>EVENTOUT  | COMP1_<br>INP,<br>ADC12_<br>IN14,<br>WKUP5 |
| 26         | 25          | J5      | J4           | 35      | M5       | 46      | 46           | PB0                                   | I/O      | TT_la         | -     | TIM1_CH2N,<br>TIM3_CH3,<br>TIM8_CH2N,<br>USART3_CK,<br>QUADSPI_BK1_IO1,<br>LCD_SEG5,<br>COMP1_OUT,<br>EVENTOUT                        | OPAMP2_<br>VOUT,<br>ADC12_<br>IN15         |
| 27         | 26          | J4      | J5           | 36      | M6       | 47      | 47           | PB1                                   | I/O      | FT_la         | -     | TIM1_CH3N,<br>TIM3_CH4,<br>TIM8_CH3N,<br>DFSDM1_DATIN0,<br>USART3_RTS_DE,<br>QUADSPI_BK1_IO0,<br>LCD_SEG6,<br>LPTIM2_IN1,<br>EVENTOUT | COMP1_<br>INM,<br>ADC12_<br>IN16           |
| 28         | 27          | J3      | J6           | 37      | L6       | 48      | 48           | PB2                                   | I/O      | FT_a          | -     | RTC_OUT,<br>LPTIM1_OUT,<br>I2C3_SMBA,<br>DFSDM1_CKIN0,<br>EVENTOUT  | COMP1_<br>INP                              |
| -          | -           | -       | -            | -       | K6       | 49      | 49           | PF11                                  | I/O      | FT            | -     | EVENTOUT  | -  |
| -          | -           | -       | -            | -       | J7       | 50      | 50           | PF12                                  | I/O      | FT            | -     | FMC_A6,<br>EVENTOUT   | -  |
| -          | -           | -       | -            | -       | -        | 51      | 51           | VSS                                   | S        | -             | -     | -   | -  |
| -          | -           | -       | -            | -       | -        | 52      | 52           | VDD                                   | S        | -             | -     | -   | -  |
| -          | -           | -       | -            | -       | K7       | 53      | 53           | PF13                                  | I/O      | FT            | -     | DFSDM1_DATIN6,<br>FMC_A7,<br>EVENTOUT   | -  |



Table 16. STM32L486xx pin definitions (continued)

| Pin Number |             |         |              |         |          |         |              | Pin name<br>(function after<br>reset) | Pin type | I/O structure | Notes | Pin functions  |                      |
|------------|-------------|---------|--------------|---------|----------|---------|--------------|---------------------------------------|----------|---------------|-------|--|----------------------|
| LQFP64     | LQFP64_SMPS | WLCSP72 | WLCSP72_SMPS | LQFP100 | UFBGA132 | LQFP144 | LQFP144_SMPS |                                       |          |               |       | Alternate functions  | Additional functions |
| -          | -           | -       | -            | -       | J8       | 54      | 54           | PF14                                  | I/O      | FT            | -     | DFSDM1_CKIN6,<br>TSC_G8_IO1,<br>FMC_A8,<br>EVENTOUT  | -                    |
| -          | -           | -       | -            | -       | J9       | 55      | 55           | PF15                                  | I/O      | FT            | -     | TSC_G8_IO2,<br>FMC_A9,<br>EVENTOUT   | -                    |
| -          | -           | -       | -            | -       | H9       | 56      | 56           | PG0                                   | I/O      | FT            | -     | TSC_G8_IO3,<br>FMC_A10,<br>EVENTOUT  | -                    |
| -          | -           | -       | -            | -       | G9       | 57      | 57           | PG1                                   | I/O      | FT            | -     | TSC_G8_IO4,<br>FMC_A11,<br>EVENTOUT  | -                    |
| -          | -           | -       | -            | 38      | M7       | 58      | 58           | PE7                                   | I/O      | FT            | -     | TIM1_ETR,<br>DFSDM1_DATIN2,<br>FMC_D4,<br>SAI1_SD_B,<br>EVENTOUT                                   | -                    |
| -          | -           | -       | -            | 39      | L7       | 59      | 59           | PE8                                   | I/O      | FT            | -     | TIM1_CH1N,<br>DFSDM1_CKIN2,<br>FMC_D5,<br>SAI1_SCK_B,<br>EVENTOUT                                  | -                    |
| -          | -           | -       | -            | 40      | M8       | 60      | 60           | PE9                                   | I/O      | FT            | -     | TIM1_CH1,<br>DFSDM1_CKOUT,<br>FMC_D6,<br>SAI1_FS_B,<br>EVENTOUT                                    | -                    |
| -          | -           | -       | -            | -       | F6       | 61      | 61           | VSS                                   | S        | -             | -     | -  | -                    |
| -          | -           | -       | -            | -       | G6       | 62      | 62           | VDD                                   | S        | -             | -     | -  | -                    |
| -          | -           | -       | -            | 41      | L8       | 63      | 63           | PE10                                  | I/O      | FT            | -     | TIM1_CH2N,<br>DFSDM1_DATIN4,<br>TSC_G5_IO1,<br>QUADSPI_CLK,<br>FMC_D7,<br>SAI1_MCLK_B,<br>EVENTOUT | -                    |

Table 16. STM32L486xx pin definitions (continued)

| Pin Number |             |         |              |         |          |         |              | Pin name<br>(function after<br>reset) | Pin type | I/O structure | Notes | Pin functions  |                      |
|------------|-------------|---------|--------------|---------|----------|---------|--------------|---------------------------------------|----------|---------------|-------|--|----------------------|
| LQFP64     | LQFP64_SMPS | WLCSP72 | WLCSP72_SMPS | LQFP100 | UFBGA132 | LQFP144 | LQFP144_SMPS |                                       |          |               |       | Alternate functions  | Additional functions |
| -          | -           | -       | -            | 42      | M9       | 64      | 64           | PE11                                  | I/O      | FT            | -     | TIM1_CH2,<br>DFSDM1_CKIN4,<br>TSC_G5_IO2,<br>QUADSPI_NCS,<br>FMC_D8,<br>EVENTOUT                         | -                    |
| -          | -           | -       | -            | 43      | L9       | 65      | 65           | PE12                                  | I/O      | FT            | -     | TIM1_CH3N,<br>SPI1_NSS,<br>DFSDM1_DATIN5,<br>TSC_G5_IO3,<br>QUADSPI_BK1_IO0,<br>FMC_D9,<br>EVENTOUT      | -                    |
| -          | -           | -       | -            | 44      | M10      | 66      | 66           | PE13                                  | I/O      | FT            | -     | TIM1_CH3,<br>SPI1_SCK,<br>DFSDM1_CKIN5,<br>TSC_G5_IO4,<br>QUADSPI_BK1_IO1,<br>FMC_D10,<br>EVENTOUT       | -                    |
| -          | -           | -       | -            | 45      | M11      | 67      | 67           | PE14                                  | I/O      | FT            | -     | TIM1_CH4,<br>TIM1_BKIN2,<br>TIM1_BKIN2_<br>COMP2, SPI1_MISO,<br>QUADSPI_BK1_IO2,<br>FMC_D11,<br>EVENTOUT | -                    |
| -          | -           | -       | -            | 46      | M12      | 68      | 68           | PE15                                  | I/O      | FT            | -     | TIM1_BKIN,<br>TIM1_BKIN_COMP1,<br>SPI1_MOSI,<br>QUADSPI_BK1_IO3,<br>FMC_D12,<br>EVENTOUT                 | -                    |

Table 16. STM32L486xx pin definitions (continued)

| Pin Number |             |         |              |         |          |         |              | Pin name<br>(function after<br>reset) | Pin type | I/O structure | Notes | Pin functions  |                      |   |
|------------|-------------|---------|--------------|---------|----------|---------|--------------|---------------------------------------|----------|---------------|-------|--|----------------------|---|
| LQFP64     | LQFP64_SMPS | WLCSP72 | WLCSP72_SMPS | LQFP100 | UFBGA132 | LQFP144 | LQFP144_SMPS |                                       |          |               |       | Alternate functions  | Additional functions |   |
| 29         | 28          | H3      | J3           | 47      | L10      | 69      | 69           | PB10                                  | I/O      | FT_fl         | -     | TIM2_CH3,<br>I2C2_SCL,<br>SPI2_SCK,<br>DFSDM1_DATIN7,<br>USART3_TX,<br>LPUART1_RX,<br>QUADSPI_CLK,<br>LCD_SEG10,<br>COMP1_OUT,<br>SAI1_SCK_A,<br>EVENTOUT  | -                    |   |
| 30         | 29          | G3      | H3           | 48      | L11      | 70      | -            | PB11                                  | I/O      | FT_fl         | -     | TIM2_CH4,<br>I2C2_SDA,<br>DFSDM1_CKIN7,<br>USART3_RX,<br>LPUART1_TX,<br>QUADSPI_NCS,<br>LCD_SEG11,<br>COMP2_OUT,<br>EVENTOUT   | -                    |   |
| -          | 30          | -       | B8           | -       | -        | -       | 70           | VDD12                                 | S        | -             | -     | -  | -                    | - |
| 31         | 31          | J2      | J2           | 49      | F12      | 71      | 71           | VSS                                   | S        | -             | -     | -  | -                    | - |
| 32         | 32          | J1      | F1           | 50      | G12      | 72      | 72           | VDD                                   | S        | -             | -     | -  | -                    | - |
| 33         | 33          | H1      | H1           | 51      | L12      | 73      | 73           | PB12                                  | I/O      | FT_I          | -     | TIM1_BKIN,<br>TIM1_BKIN_COMP2,<br>I2C2_SMBA,<br>SPI2_NSS,<br>DFSDM1_DATIN1,<br>USART3_CK,<br>LPUART1_RTS_DE,<br>TSC_G1_IO1,<br>LCD_SEG12,<br>SWPMI1_IO,<br>SAI2_FS_A,<br>TIM15_BKIN,<br>EVENTOUT | -                    |   |

Table 16. STM32L486xx pin definitions (continued)

| Pin Number |             |         |              |         |          |         |              | Pin name<br>(function after<br>reset) | Pin type | I/O structure | Notes | Pin functions  |                      |
|------------|-------------|---------|--------------|---------|----------|---------|--------------|---------------------------------------|----------|---------------|-------|--|----------------------|
| LQFP64     | LQFP64_SMPS | WLCSP72 | WLCSP72_SMPS | LQFP100 | UFBGA132 | LQFP144 | LQFP144_SMPS |                                       |          |               |       | Alternate functions  | Additional functions |
| 34         | 34          | H2      | H2           | 52      | K12      | 74      | 74           | PB13                                  | I/O      | FT_fl         | -     | TIM1_CH1N,<br>I2C2_SCL,<br>SPI2_SCK,<br>DFSDM1_CKIN1,<br>USART3_CTS,<br>LPUART1_CTS,<br>TSC_G1_IO2,<br>LCD_SEG13,<br>SWPMI1_TX,<br>SAI2_SCK_A,<br>TIM15_CH1N,<br>EVENTOUT    | -                    |
| 35         | 35          | G2      | G3           | 53      | K11      | 75      | 75           | PB14                                  | I/O      | FT_fl         | -     | TIM1_CH2N,<br>TIM8_CH2N,<br>I2C2_SDA,<br>SPI2_MISO,<br>DFSDM1_DATIN2,<br>USART3_RTS_DE,<br>TSC_G1_IO3,<br>LCD_SEG14,<br>SWPMI1_RX,<br>SAI2_MCLK_A,<br>TIM15_CH1,<br>EVENTOUT | -                    |
| 36         | 36          | G1      | G1           | 54      | K10      | 76      | 76           | PB15                                  | I/O      | FT_I          | -     | RTC_REFIN,<br>TIM1_CH3N,<br>TIM8_CH3N,<br>SPI2_MOSI,<br>DFSDM1_CKIN2,<br>TSC_G1_IO4,<br>LCD_SEG15,<br>SWPMI1_SUSPEND,<br>SAI2_SD_A,<br>TIM15_CH2,<br>EVENTOUT                | -                    |
| -          | -           | -       | -            | 55      | K9       | 77      | 77           | PD8                                   | I/O      | FT_I          | -     | USART3_TX,<br>LCD_SEG28,<br>FMC_D13,<br>EVENTOUT   | -                    |
| -          | -           | -       | -            | 56      | K8       | 78      | 78           | PD9                                   | I/O      | FT_I          | -     | USART3_RX,<br>LCD_SEG29,<br>FMC_D14,<br>SAI2_MCLK_A,<br>EVENTOUT   | -                    |

Table 16. STM32L486xx pin definitions (continued)

| Pin Number |             |         |              |         |          |         |              | Pin name<br>(function after<br>reset) | Pin type | I/O structure | Notes | Pin functions   |                      |
|------------|-------------|---------|--------------|---------|----------|---------|--------------|---------------------------------------|----------|---------------|-------|---|----------------------|
| LQFP64     | LQFP64_SMPS | WLCSP72 | WLCSP72_SMPS | LQFP100 | UFBGA132 | LQFP144 | LQFP144_SMPS |                                       |          |               |       | Alternate functions   | Additional functions |
| -          | -           | -       | -            | 57      | J12      | 79      | 79           | PD10                                  | I/O      | FT_I          | -     | USART3_CK,<br>TSC_G6_IO1,<br>LCD_SEG30,<br>FMC_D15,<br>SAI2_SCK_A,<br>EVENTOUT                                | -                    |
| -          | -           | -       | -            | 58      | J11      | 80      | 80           | PD11                                  | I/O      | FT_I          | -     | USART3_CTS,<br>TSC_G6_IO2,<br>LCD_SEG31,<br>FMC_A16,<br>SAI2_SD_A,<br>LPTIM2_ETR,<br>EVENTOUT                 | -                    |
| -          | -           | -       | -            | 59      | J10      | 81      | 81           | PD12                                  | I/O      | FT_I          | -     | TIM4_CH1,<br>USART3_RTS_DE,<br>TSC_G6_IO3,<br>LCD_SEG32,<br>FMC_A17,<br>SAI2_FS_A,<br>LPTIM2_IN1,<br>EVENTOUT | -                    |
| -          | -           | -       | -            | 60      | H12      | 82      | 82           | PD13                                  | I/O      | FT_I          | -     | TIM4_CH2,<br>TSC_G6_IO4,<br>LCD_SEG33,<br>FMC_A18,<br>LPTIM2_OUT,<br>EVENTOUT                                 | -                    |
| -          | -           | -       | -            | -       | -        | 83      | 83           | VSS                                   | S        | -             | -     | -   | -                    |
| -          | -           | -       | -            | -       | -        | 84      | 84           | VDD                                   | S        | -             | -     | -   | -                    |
| -          | -           | -       | -            | 61      | H11      | 85      | 85           | PD14                                  | I/O      | FT_I          | -     | TIM4_CH3,<br>LCD_SEG34,<br>FMC_D0,<br>EVENTOUT  | -                    |
| -          | -           | -       | -            | 62      | H10      | 86      | 86           | PD15                                  | I/O      | FT_I          | -     | TIM4_CH4,<br>LCD_SEG35,<br>FMC_D1,<br>EVENTOUT  | -                    |
| -          | -           | -       | -            | -       | G10      | 87      | 87           | PG2                                   | I/O      | FT_s          | -     | SPI1_SCK,<br>FMC_A12,<br>SAI2_SCK_B,<br>EVENTOUT  | -                    |

Table 16. STM32L486xx pin definitions (continued)

| Pin Number |             |         |              |         |          |         |              | Pin name<br>(function after<br>reset) | Pin type | I/O structure | Notes | Pin functions   |                      |
|------------|-------------|---------|--------------|---------|----------|---------|--------------|---------------------------------------|----------|---------------|-------|---|----------------------|
| LQFP64     | LQFP64_SMPS | WLCSP72 | WLCSP72_SMPS | LQFP100 | UFBGA132 | LQFP144 | LQFP144_SMPS |                                       |          |               |       | Alternate functions   | Additional functions |
| -          | -           | -       | -            | -       | F9       | 88      | 88           | PG3                                   | I/O      | FT_s          | -     | SPI1_MISO,<br>FMC_A13,<br>SAI2_FS_B,<br>EVENTOUT  | -                    |
| -          | -           | -       | -            | -       | F10      | 89      | 89           | PG4                                   | I/O      | FT_s          | -     | SPI1_MOSI,<br>FMC_A14,<br>SAI2_MCLK_B,<br>EVENTOUT  | -                    |
| -          | -           | -       | -            | -       | E9       | 90      | 90           | PG5                                   | I/O      | FT_s          | -     | SPI1_NSS,<br>LPUART1_CTS,<br>FMC_A15,<br>SAI2_SD_B,<br>EVENTOUT   | -                    |
| -          | -           | -       | -            | -       | G4       | 91      | 91           | PG6                                   | I/O      | FT_s          | -     | I2C3_SMBA,<br>LPUART1_RTS_DE,<br>EVENTOUT   | -                    |
| -          | -           | -       | -            | -       | H4       | 92      | 92           | PG7                                   | I/O      | FT_fs         | -     | I2C3_SCL,<br>LPUART1_TX,<br>FMC_INT,<br>EVENTOUT  | -                    |
| -          | -           | -       | -            | -       | J6       | 93      | 93           | PG8                                   | I/O      | FT_fs         | -     | I2C3_SDA,<br>LPUART1_RX,<br>EVENTOUT  | -                    |
| -          | -           | -       | -            | -       | -        | 94      | 94           | VSS                                   | S        | -             | -     | -   | -                    |
| -          | -           | -       | -            | -       | -        | 95      | 95           | VDDIO2                                | S        | -             | -     | -   | -                    |
| 37         | 37          | F3      | G2           | 63      | E12      | 96      | 96           | PC6                                   | I/O      | FT_I          | -     | TIM3_CH1,<br>TIM8_CH1,<br>DFSDM1_CKIN3,<br>TSC_G4_IO1,<br>LCD_SEG24,<br>SDMMC1_D6,<br>SAI2_MCLK_A,<br>EVENTOUT  | -                    |
| 38         | 38          | F1      | F2           | 64      | E11      | 97      | 97           | PC7                                   | I/O      | FT_I          | -     | TIM3_CH2,<br>TIM8_CH2,<br>DFSDM1_DATIN3,<br>TSC_G4_IO2,<br>LCD_SEG25,<br>SDMMC1_D7,<br>SAI2_MCLK_B,<br>EVENTOUT | -                    |



Table 16. STM32L486xx pin definitions (continued)

| Pin Number |             |         |              |         |          |         |              | Pin name<br>(function after<br>reset) | Pin type | I/O structure | Notes | Pin functions   |                      |
|------------|-------------|---------|--------------|---------|----------|---------|--------------|---------------------------------------|----------|---------------|-------|---|----------------------|
| LQFP64     | LQFP64_SMPS | WLCSP72 | WLCSP72_SMPS | LQFP100 | UFBGA132 | LQFP144 | LQFP144_SMPS |                                       |          |               |       | Alternate functions   | Additional functions |
| 39         | 39          | F2      | F3           | 65      | E10      | 98      | 98           | PC8                                   | I/O      | FT_I          | -     | TIM3_CH3,<br>TIM8_CH3,<br>TSC_G4_IO3,<br>LCD_SEG26,<br>SDMMC1_D0,<br>EVENTOUT   | -                    |
| 40         | 40          | E1      | E1           | 66      | D12      | 99      | 99           | PC9                                   | I/O      | FT_I          | -     | TIM8_BKIN2,<br>TIM3_CH4,<br>TIM8_CH4,<br>TSC_G4_IO4,<br>OTG_FS_NOE,<br>LCD_SEG27,<br>SDMMC1_D1,<br>SAI2_EXTCLK,<br>TIM8_BKIN2_<br>COMP1, EVENTOUT | -                    |
| 41         | 41          | E2      | E2           | 67      | D11      | 100     | 100          | PA8                                   | I/O      | FT_I          | -     | MCO, TIM1_CH1,<br>USART1_CK,<br>OTG_FS_SOF,<br>LCD_COM0,<br>LPTIM2_OUT,<br>EVENTOUT   | -                    |
| 42         | 42          | E3      | E3           | 68      | D10      | 101     | 101          | PA9                                   | I/O      | FT_lu         | -     | TIM1_CH2,<br>USART1_TX,<br>LCD_COM1,<br>TIM15_BKIN,<br>EVENTOUT   | OTG_FS_<br>VBUS      |
| 43         | 43          | D2      | D2           | 69      | C12      | 102     | 102          | PA10                                  | I/O      | FT_lu         | -     | TIM1_CH3,<br>USART1_RX,<br>OTG_FS_ID,<br>LCD_COM2,<br>TIM17_BKIN,<br>EVENTOUT   | -                    |
| 44         | 44          | D1      | D1           | 70      | B12      | 103     | 103          | PA11                                  | I/O      | FT_u          | -     | TIM1_CH4,<br>TIM1_BKIN2,<br>USART1_CTS,<br>CAN1_RX,<br>OTG_FS_DM,<br>TIM1_BKIN2_COMP1<br>, EVENTOUT   | -                    |

Table 16. STM32L486xx pin definitions (continued)

| Pin Number |             |         |              |         |          |         |              | Pin name<br>(function after<br>reset) | Pin type | I/O structure | Notes | Pin functions   |                      |
|------------|-------------|---------|--------------|---------|----------|---------|--------------|---------------------------------------|----------|---------------|-------|---|----------------------|
| LQFP64     | LQFP64_SMPS | WLCSP72 | WLCSP72_SMPS | LQFP100 | UFBGA132 | LQFP144 | LQFP144_SMPS |                                       |          |               |       | Alternate functions   | Additional functions |
| 45         | 45          | C1      | C1           | 71      | A12      | 104     | 104          | PA12                                  | I/O      | FT_u          | -     | TIM1_ETR,<br>USART1_RTS_DE,<br>CAN1_TX,<br>OTG_FS_DP,<br>EVENTOUT   | -                    |
| 46         | 46          | C2      | C2           | 72      | A11      | 105     | 105          | PA13<br>(JTMS-SWDIO)                  | I/O      | FT            | (4)   | JTMS-SWDIO,<br>IR_OUT,<br>OTG_FS_NOE,<br>EVENTOUT   | -                    |
| 47         | 47          | B1      | B1           | -       | -        | -       | -            | VSS                                   | S        | -             | -     | -   | -                    |
| 48         | 48          | A1      | A1           | 73      | C11      | 106     | 106          | VDDUSB                                | S        | -             | -     | -   | -                    |
| -          | -           | -       | -            | 74      | F11      | 107     | 107          | VSS                                   | S        | -             | -     | -   | -                    |
| -          | -           | -       | -            | 75      | G11      | 108     | 108          | VDD                                   | S        | -             | -     | -   | -                    |
| 49         | 49          | B2      | B2           | 76      | A10      | 109     | 109          | PA14<br>(JTCK-SWCLK)                  | I/O      | FT            | (4)   | JTCK-SWCLK,<br>EVENTOUT   | -                    |
| 50         | 50          | A2      | C3           | 77      | A9       | 110     | 110          | PA15 (JTDI)                           | I/O      | FT_I          | (4)   | JTDI, TIM2_CH1,<br>TIM2_ETR,<br>SPI1_NSS,<br>SPI3_NSS,<br>UART4_RTS_DE,<br>TSC_G3_IO1,<br>LCD_SEG17,<br>SAI2_FS_B,<br>EVENTOUT        | -                    |
| 51         | 51          | D3      | A2           | 78      | B11      | 111     | 111          | PC10                                  | I/O      | FT_I          | -     | SPI3_SCK,<br>USART3_TX,<br>UART4_TX,<br>TSC_G3_IO2,<br>LCD_COM4/<br>LCD_SEG28/<br>LCD_SEG40,<br>SDMMC1_D2,<br>SAI2_SCK_B,<br>EVENTOUT | -                    |



Table 16. STM32L486xx pin definitions (continued)

| Pin Number |             |         |              |         |          |         |              | Pin name<br>(function after<br>reset) | Pin type | I/O structure | Notes | Pin functions   |                      |
|------------|-------------|---------|--------------|---------|----------|---------|--------------|---------------------------------------|----------|---------------|-------|---|----------------------|
| LQFP64     | LQFP64_SMPS | WLCSP72 | WLCSP72_SMPS | LQFP100 | UFBGA132 | LQFP144 | LQFP144_SMPS |                                       |          |               |       | Alternate functions   | Additional functions |
| 52         | 52          | C3      | D3           | 79      | C10      | 112     | 112          | PC11                                  | I/O      | FT_I          | -     | SPI3_MISO,<br>USART3_RX,<br>UART4_RX,<br>TSC_G3_IO3,<br>LCD_COM5/<br>LCD_SEG29/<br>LCD_SEG41,<br>SDMMC1_D3,<br>SAI2_MCLK_B,<br>EVENTOUT | -                    |
| 53         | 53          | B3      | B3           | 80      | B10      | 113     | 113          | PC12                                  | I/O      | FT_I          | -     | SPI3_MOSI,<br>USART3_CK,<br>UART5_TX,<br>TSC_G3_IO4,<br>LCD_COM6/<br>LCD_SEG30/<br>LCD_SEG42,<br>SDMMC1_CK,<br>SAI2_SD_B,<br>EVENTOUT   | -                    |
| -          | -           | -       | -            | 81      | C9       | 114     | 114          | PD0                                   | I/O      | FT            | -     | SPI2_NSS,<br>DFSDM1_DATIN7,<br>CAN1_RX, FMC_D2,<br>EVENTOUT   | -                    |
| -          | -           | -       | -            | 82      | B9       | 115     | 115          | PD1                                   | I/O      | FT            | -     | SPI2_SCK,<br>DFSDM1_CKIN7,<br>CAN1_TX, FMC_D3,<br>EVENTOUT  | -                    |
| 54         | -           | A3      | A3           | 83      | C8       | 116     | 116          | PD2                                   | I/O      | FT_I          | -     | TIM3_ETR,<br>USART3_RTS_DE,<br>UART5_RX,<br>TSC_SYNC,<br>LCD_COM7/LCD_<br>SEG31/LCD_SEG43,<br>SDMMC1_CMD,<br>EVENTOUT                   | -                    |
| -          | -           | -       | -            | 84      | B8       | 117     | 117          | PD3                                   | I/O      | FT            | -     | SPI2_MISO,<br>DFSDM1_DATIN0,<br>USART2_CTS,<br>FMC_CLK,<br>EVENTOUT   | -                    |

Table 16. STM32L486xx pin definitions (continued)

| Pin Number |             |         |              |         |          |         |              | Pin name<br>(function after<br>reset) | Pin type | I/O structure | Notes | Pin functions   |                      |
|------------|-------------|---------|--------------|---------|----------|---------|--------------|---------------------------------------|----------|---------------|-------|---|----------------------|
| LQFP64     | LQFP64_SMPS | WLCSP72 | WLCSP72_SMPS | LQFP100 | UFBGA132 | LQFP144 | LQFP144_SMPS |                                       |          |               |       | Alternate functions   | Additional functions |
| -          | -           | -       | -            | 85      | B7       | 118     | 118          | PD4                                   | I/O      | FT            | -     | SPI2_MOSI,<br>DFSDM1_CKIN0,<br>USART2_RTS_DE,<br>FMC_NOE,<br>EVENTOUT                       | -                    |
| -          | -           | -       | -            | 86      | A6       | 119     | 119          | PD5                                   | I/O      | FT            | -     | USART2_TX,<br>FMC_NWE,<br>EVENTOUT  | -                    |
| -          | -           | -       | -            | -       | -        | 120     | 120          | VSS                                   | S        | -             | -     | -   | -                    |
| -          | -           | -       | -            | -       | -        | 121     | 121          | VDD                                   | S        | -             | -     | -   | -                    |
| -          | -           | -       | -            | 87      | B6       | 122     | 122          | PD6                                   | I/O      | FT            | -     | DFSDM1_DATIN1,<br>USART2_RX,<br>FMC_NWAIT,<br>SAI1_SD_A,<br>EVENTOUT                        | -                    |
| -          | -           | -       | -            | 88      | A5       | 123     | 123          | PD7                                   | I/O      | FT            | -     | DFSDM1_CKIN1,<br>USART2_CK,<br>FMC_NE1,<br>EVENTOUT   | -                    |
| -          | -           | A4      | A4           | -       | D9       | 124     | 124          | PG9                                   | I/O      | FT_s          | -     | SPI3_SCK,<br>USART1_TX,<br>FMC_NCE/<br>FMC_NE2,<br>SAI2_SCK_A,<br>TIM15_CH1N,<br>EVENTOUT   | -                    |
| -          | -           | B4      | B4           | -       | D8       | 125     | 125          | PG10                                  | I/O      | FT_s          | -     | LPTIM1_IN1,<br>SPI3_MISO,<br>USART1_RX,<br>FMC_NE3,<br>SAI2_FS_A,<br>TIM15_CH1,<br>EVENTOUT | -                    |
| -          | -           | C4      | -            | -       | G3       | 126     | 126          | PG11                                  | I/O      | FT_s          | -     | LPTIM1_IN2,<br>SPI3_MOSI,<br>USART1_CTS,<br>SAI2_MCLK_A,<br>TIM15_CH2,<br>EVENTOUT          | -                    |

Table 16. STM32L486xx pin definitions (continued)

| Pin Number |             |         |              |         |          |         |              | Pin name<br>(function after<br>reset) | Pin type | I/O structure | Notes | Pin functions  |                      |
|------------|-------------|---------|--------------|---------|----------|---------|--------------|---------------------------------------|----------|---------------|-------|--|----------------------|
| LQFP64     | LQFP64_SMPS | WLCSP72 | WLCSP72_SMPS | LQFP100 | UFBGA132 | LQFP144 | LQFP144_SMPS |                                       |          |               |       | Alternate functions  | Additional functions |
| -          | -           | C5      | C4           | -       | D7       | 127     | 127          | PG12                                  | I/O      | FT_s          | -     | LPTIM1_ETR,<br>SPI3_NSS,<br>USART1_RTS_DE,<br>FMC_NE4,<br>SAI2_SD_A,<br>EVENTOUT   | -                    |
| -          | -           | B5      | B5           | -       | C7       | 128     | 128          | PG13                                  | I/O      | FT_fs         | -     | I2C1_SDA,<br>USART1_CK,<br>FMC_A24,<br>EVENTOUT  | -                    |
| -          | -           | A5      | A5           | -       | C6       | 129     | 129          | PG14                                  | I/O      | FT_fs         | -     | I2C1_SCL,<br>FMC_A25,<br>EVENTOUT  | -                    |
| -          | -           | -       | -            | -       | F7       | 130     | 130          | VSS                                   | S        | -             | -     | -  | -                    |
| -          | -           | B6      | B6           | -       | G7       | 131     | 131          | VDDIO2                                | S        | -             | -     | -  | -                    |
| -          | -           | -       | -            | -       | K1       | 132     | -            | PG15                                  | I/O      | FT_s          | -     | LPTIM1_OUT,<br>I2C1_SMBA,<br>EVENTOUT  | -                    |
| 55         | 54          | A6      | A6           | 89      | A8       | 133     | 132          | PB3<br>(JTDO-<br>TRACESWO)            | I/O      | FT_la         | (4)   | JTDO-TRACESWO,<br>TIM2_CH2,<br>SPI1_SCK,<br>SPI3_SCK,<br>USART1_RTS_DE,<br>LCD_SEG7,<br>SAI1_SCK_B,<br>EVENTOUT                                      | COMP2_<br>INM        |
| 56         | 55          | C6      | C5           | 90      | A7       | 134     | 133          | PB4<br>(NJTRST)                       | I/O      | FT_la         | (4)   | NJTRST, TIM3_CH1,<br>SPI1_MISO,<br>SPI3_MISO,<br>USART1_CTS,<br>UART5_RTS_DE,<br>TSC_G2_IO1,<br>LCD_SEG8,<br>SAI1_MCLK_B,<br>TIM17_BKIN,<br>EVENTOUT | COMP2_<br>INP        |

Table 16. STM32L486xx pin definitions (continued)

| Pin Number |             |         |              |         |          |         |              | Pin name<br>(function after<br>reset) | Pin type | I/O structure | Notes | Pin functions   |                      |
|------------|-------------|---------|--------------|---------|----------|---------|--------------|---------------------------------------|----------|---------------|-------|---|----------------------|
| LQFP64     | LQFP64_SMPS | WLCSP72 | WLCSP72_SMPS | LQFP100 | UFBGA132 | LQFP144 | LQFP144_SMPS |                                       |          |               |       | Alternate functions   | Additional functions |
| 57         | 56          | C7      | E7           | 91      | C5       | 135     | 134          | PB5                                   | I/O      | FT_la         | -     | LPTIM1_IN1,<br>TIM3_CH2,<br>I2C1_SMBA,<br>SPI1_MOSI,<br>SPI3_MOSI,<br>USART1_CK,<br>UART5_CTS,<br>TSC_G2_IO2,<br>LCD_SEG9,<br>COMP2_OUT,<br>SAI1_SD_B,<br>TIM16_BKIN,<br>EVENTOUT       | -                    |
| 58         | 57          | B7      | E8           | 92      | B5       | 136     | 135          | PB6                                   | I/O      | FT_fa         | -     | LPTIM1_ETR,<br>TIM4_CH1,<br>TIM8_BKIN2,<br>I2C1_SCL,<br>DFSDM1_DATIN5,<br>USART1_TX,<br>TSC_G2_IO3,<br>TIM8_BKIN2,<br>COMP2_SAI1_FS_B,<br>TIM16_CH1N,<br>EVENTOUT                       | COMP2_INP            |
| 59         | 58          | A7      | B7           | 93      | B4       | 137     | 136          | PB7                                   | I/O      | FT fla        | -     | LPTIM1_IN2,<br>TIM4_CH2,<br>TIM8_BKIN,<br>I2C1_SDA,<br>DFSDM1_CKIN5,<br>USART1_RX,<br>UART4_CTS,<br>TSC_G2_IO4,<br>LCD_SEG21,<br>FMC_NL,<br>TIM8_BKIN_COMP1,<br>TIM17_CH1N,<br>EVENTOUT | COMP2_INM,<br>PVD_IN |
| 60         | 59          | D7      | A7           | 94      | A4       | 138     | 137          | BOOT0                                 | I        | -             | -     | -   | -                    |



Table 16. STM32L486xx pin definitions (continued)

| Pin Number |             |         |              |         |          |         |              | Pin name<br>(function after<br>reset) | Pin type | I/O structure | Notes | Pin functions   |                      |
|------------|-------------|---------|--------------|---------|----------|---------|--------------|---------------------------------------|----------|---------------|-------|---|----------------------|
| LQFP64     | LQFP64_SMPS | WLCSP72 | WLCSP72_SMPS | LQFP100 | UFBGA132 | LQFP144 | LQFP144_SMPS |                                       |          |               |       | Alternate functions   | Additional functions |
| 61         | 60          | E7      | C6           | 95      | A3       | 139     | 138          | PB8                                   | I/O      | FT_fl         | -     | TIM4_CH3,<br>I2C1_SCL,<br>DFSDM1_DATIN6,<br>CAN1_RX,<br>LCD_SEG16,<br>SDMMC1_D4,<br>SAI1_MCLK_A,<br>TIM16_CH1,<br>EVENTOUT                  | -                    |
| 62         | 61          | E8      | D7           | 96      | B3       | 140     | 139          | PB9                                   | I/O      | FT_fl         | -     | IR_OUT, TIM4_CH4,<br>I2C1_SDA,<br>SPI2_NSS,<br>DFSDM1_CKIN6,<br>CAN1_TX,<br>LCD_COM3,<br>SDMMC1_D5,<br>SAI1_FS_A,<br>TIM17_CH1,<br>EVENTOUT | -                    |
| -          | -           | -       | -            | 97      | C3       | 141     | 140          | PE0                                   | I/O      | FT_I          | -     | TIM4_ETR,<br>LCD_SEG36,<br>FMC_NBL0,<br>TIM16_CH1,<br>EVENTOUT  | -                    |
| -          | -           | -       | -            | 98      | A2       | 142     | 141          | PE1                                   | I/O      | FT_I          | -     | LCD_SEG37,<br>FMC_NBL1,<br>TIM17_CH1,<br>EVENTOUT   | -                    |
| -          | 62          | -       | J1           | -       | -        | -       | 142          | VDD12                                 | S        | -             | -     | -   | -                    |
| 63         | 63          | A8      | A8           | 99      | D3       | 143     | 143          | VSS                                   | S        | -             | -     | -   | -                    |
| 64         | 64          | A9      | A9           | 100     | C4       | 144     | 144          | VDD                                   | S        | -             | -     | -   | -                    |

- PC13, PC14 and PC15 are supplied through the power switch. Since the switch only sinks a limited amount of current (3 mA), the use of GPIOs PC13 to PC15 in output mode is limited:
  - The speed should not exceed 2 MHz with a maximum load of 30 pF
  - These GPIOs must not be used as current sources (e.g. to drive an LED).
- After a Backup domain power-up, PC13, PC14 and PC15 operate as GPIOs. Their function then depends on the content of the RTC registers which are not reset by the system reset. For details on how to manage these GPIOs, refer to the Backup domain and RTC register descriptions in the RM0351 reference manual.
- OPAMPx\_VINM pins are not available as additional functions on pins PA1 and PA7 on UFBGA packages. On UFBGA packages, use the OPAMPx\_VINM dedicated pins available on M3 and M4 balls.
- After reset, these pins are configured as JTAG/SW debug alternate functions, and the internal pull-up on PA15, PA13, PB4 pins and the internal pull-down on PA14 pin are activated.



Table 17. Alternate function AF0 to AF7<sup>(1)</sup>

| Port   | AF0    | AF1                                | AF2                              | AF3        | AF4            | AF5       | AF6        | AF7                          |                   |
|--------|--------|------------------------------------|----------------------------------|------------|----------------|-----------|------------|------------------------------|-------------------|
|        | SYS_AF | TIM1/TIM2/<br>TIM5/TIM8/<br>LPTIM1 | TIM1/TIM2/<br>TIM3/TIM4/<br>TIM5 | TIM8       | I2C1/I2C2/I2C3 | SPI1/SPI2 | SPI3/DFSDM | USART1/<br>USART2/<br>USART3 |                   |
| Port A | PA0    | -                                  | TIM2_CH1                         | TIM5_CH1   | TIM8_ETR       | -         | -          | USART2_CTS                   |                   |
|        | PA1    | -                                  | TIM2_CH2                         | TIM5_CH2   | -              | -         | -          | USART2_RTS_<br>DE            |                   |
|        | PA2    | -                                  | TIM2_CH3                         | TIM5_CH3   | -              | -         | -          | USART2_TX                    |                   |
|        | PA3    | -                                  | TIM2_CH4                         | TIM5_CH4   | -              | -         | -          | USART2_RX                    |                   |
|        | PA4    | -                                  | -                                | -          | -              | -         | SPI1_NSS   | SPI3_NSS                     | USART2_CK         |
|        | PA5    | -                                  | TIM2_CH1                         | TIM2_ETR   | TIM8_CH1N      | -         | SPI1_SCK   | -                            | -                 |
|        | PA6    | -                                  | TIM1_BKIN                        | TIM3_CH1   | TIM8_BKIN      | -         | SPI1_MISO  | -                            | USART3_CTS        |
|        | PA7    | -                                  | TIM1_CH1N                        | TIM3_CH2   | TIM8_CH1N      | -         | SPI1_MOSI  | -                            | -                 |
|        | PA8    | MCO                                | TIM1_CH1                         | -          | -              | -         | -          | -                            | USART1_CK         |
|        | PA9    | -                                  | TIM1_CH2                         | -          | -              | -         | -          | -                            | USART1_TX         |
|        | PA10   | -                                  | TIM1_CH3                         | -          | -              | -         | -          | -                            | USART1_RX         |
|        | PA11   | -                                  | TIM1_CH4                         | TIM1_BKIN2 | -              | -         | -          | -                            | USART1_CTS        |
|        | PA12   | -                                  | TIM1_ETR                         | -          | -              | -         | -          | -                            | USART1_RTS_<br>DE |
|        | PA13   | JTMS-SWDIO                         | IR_OUT                           | -          | -              | -         | -          | -                            | -                 |
|        | PA14   | JTCK-SWCLK                         | -                                | -          | -              | -         | -          | -                            | -                 |
| PA15   | JTDI   | TIM2_CH1                           | TIM2_ETR                         | -          | -              | SPI1_NSS  | SPI3_NSS   | -                            |                   |



Table 17. Alternate function AF0 to AF7<sup>(1)</sup> (continued)

| Port   | AF0       | AF1                                | AF2                              | AF3       | AF4                 | AF5       | AF6           | AF7                          |               |
|--------|-----------|------------------------------------|----------------------------------|-----------|---------------------|-----------|---------------|------------------------------|---------------|
|        | SYS_AF    | TIM1/TIM2/<br>TIM5/TIM8/<br>LPTIM1 | TIM1/TIM2/<br>TIM3/TIM4/<br>TIM5 | TIM8      | I2C1/I2C2/I2C3      | SPI1/SPI2 | SPI3/DFSDM    | USART1/<br>USART2/<br>USART3 |               |
| Port B | PB0       | -                                  | TIM1_CH2N                        | TIM3_CH3  | TIM8_CH2N           | -         | -             | USART3_CK                    |               |
|        | PB1       | -                                  | TIM1_CH3N                        | TIM3_CH4  | TIM8_CH3N           | -         | DFSDM1_DATIN0 | USART3_RTS_DE                |               |
|        | PB2       | RTC_OUT                            | LPTIM1_OUT                       | -         | -                   | I2C3_SMBA | DFSDM1_CKIN0  | -                            |               |
|        | PB3       | JTDO-<br>TRACESWO                  | TIM2_CH2                         | -         | -                   | -         | SPI1_SCK      | SPI3_SCK                     | USART1_RTS_DE |
|        | PB4       | NJTRST                             | -                                | TIM3_CH1  | -                   | -         | SPI1_MISO     | SPI3_MISO                    | USART1_CTS    |
|        | PB5       | -                                  | LPTIM1_IN1                       | TIM3_CH2  | -                   | I2C1_SMBA | SPI1_MOSI     | SPI3_MOSI                    | USART1_CK     |
|        | PB6       | -                                  | LPTIM1_ETR                       | TIM4_CH1  | TIM8_BKIN2          | I2C1_SCL  | -             | DFSDM1_DATIN5                | USART1_TX     |
|        | PB7       | -                                  | LPTIM1_IN2                       | TIM4_CH2  | TIM8_BKIN           | I2C1_SDA  | -             | DFSDM1_CKIN5                 | USART1_RX     |
|        | PB8       | -                                  | -                                | TIM4_CH3  | -                   | I2C1_SCL  | -             | DFSDM1_DATIN6                | -             |
|        | PB9       | -                                  | IR_OUT                           | TIM4_CH4  | -                   | I2C1_SDA  | SPI2_NSS      | DFSDM1_CKIN6                 | -             |
|        | PB10      | -                                  | TIM2_CH3                         | -         | -                   | I2C2_SCL  | SPI2_SCK      | DFSDM1_DATIN7                | USART3_TX     |
|        | PB11      | -                                  | TIM2_CH4                         | -         | -                   | I2C2_SDA  | -             | DFSDM1_CKIN7                 | USART3_RX     |
|        | PB12      | -                                  | TIM1_BKIN                        | -         | TIM1_BKIN_<br>COMP2 | I2C2_SMBA | SPI2_NSS      | DFSDM1_DATIN1                | USART3_CK     |
|        | PB13      | -                                  | TIM1_CH1N                        | -         | -                   | I2C2_SCL  | SPI2_SCK      | DFSDM1_CKIN1                 | USART3_CTS    |
|        | PB14      | -                                  | TIM1_CH2N                        | -         | TIM8_CH2N           | I2C2_SDA  | SPI2_MISO     | DFSDM1_DATIN2                | USART3_RTS_DE |
| PB15   | RTC_REFIN | TIM1_CH3N                          | -                                | TIM8_CH3N | -                   | SPI2_MOSI | DFSDM1_CKIN2  | -                            |               |

DS10199 Rev 7

87/259

STM32L486xx

Pinouts and pin description

Table 17. Alternate function AF0 to AF7<sup>(1)</sup> (continued)

| Port   |      | AF0    | AF1                                | AF2                              | AF3      | AF4            | AF5       | AF6               | AF7                          |
|--------|------|--------|------------------------------------|----------------------------------|----------|----------------|-----------|-------------------|------------------------------|
|        |      | SYS_AF | TIM1/TIM2/<br>TIM5/TIM8/<br>LPTIM1 | TIM1/TIM2/<br>TIM3/TIM4/<br>TIM5 | TIM8     | I2C1/I2C2/I2C3 | SPI1/SPI2 | SPI3/DFSDM        | USART1/<br>USART2/<br>USART3 |
| Port C | PC0  | -      | LPTIM1_IN1                         | -                                | -        | I2C3_SCL       | -         | DFSDM1_<br>DATIN4 | -                            |
|        | PC1  | -      | LPTIM1_OUT                         | -                                | -        | I2C3_SDA       | -         | DFSDM1_CKIN4      | -                            |
|        | PC2  | -      | LPTIM1_IN2                         | -                                | -        | -              | SPI2_MISO | DFSDM1_<br>CKOUT  | -                            |
|        | PC3  | -      | LPTIM1_ETR                         | -                                | -        | -              | SPI2_MOSI | -                 | -                            |
|        | PC4  | -      | -                                  | -                                | -        | -              | -         | -                 | USART3_TX                    |
|        | PC5  | -      | -                                  | -                                | -        | -              | -         | -                 | USART3_RX                    |
|        | PC6  | -      | -                                  | TIM3_CH1                         | TIM8_CH1 | -              | -         | DFSDM1_CKIN3      | -                            |
|        | PC7  | -      | -                                  | TIM3_CH2                         | TIM8_CH2 | -              | -         | DFSDM1_<br>DATIN3 | -                            |
|        | PC8  | -      | -                                  | TIM3_CH3                         | TIM8_CH3 | -              | -         | -                 | -                            |
|        | PC9  | -      | TIM8_BKIN2                         | TIM3_CH4                         | TIM8_CH4 | -              | -         | -                 | -                            |
|        | PC10 | -      | -                                  | -                                | -        | -              | -         | SPI3_SCK          | USART3_TX                    |
|        | PC11 | -      | -                                  | -                                | -        | -              | -         | SPI3_MISO         | USART3_RX                    |
|        | PC12 | -      | -                                  | -                                | -        | -              | -         | SPI3_MOSI         | USART3_CK                    |
|        | PC13 | -      | -                                  | -                                | -        | -              | -         | -                 | -                            |
|        | PC14 | -      | -                                  | -                                | -        | -              | -         | -                 | -                            |
| PC15   | -    | -      | -                                  | -                                | -        | -              | -         | -                 |                              |



Table 17. Alternate function AF0 to AF7<sup>(1)</sup> (continued)

| Port   |      | AF0    | AF1                                | AF2                              | AF3  | AF4            | AF5       | AF6               | AF7                          |
|--------|------|--------|------------------------------------|----------------------------------|------|----------------|-----------|-------------------|------------------------------|
|        |      | SYS_AF | TIM1/TIM2/<br>TIM5/TIM8/<br>LPTIM1 | TIM1/TIM2/<br>TIM3/TIM4/<br>TIM5 | TIM8 | I2C1/I2C2/I2C3 | SPI1/SPI2 | SPI3/DFSDM        | USART1/<br>USART2/<br>USART3 |
| Port D | PD0  | -      | -                                  | -                                | -    | -              | SPI2_NSS  | DFSDM1_<br>DATIN7 | -                            |
|        | PD1  | -      | -                                  | -                                | -    | -              | SPI2_SCK  | DFSDM1_CKIN7      | -                            |
|        | PD2  | -      | -                                  | TIM3_ETR                         | -    | -              | -         | -                 | USART3_RTS_<br>DE            |
|        | PD3  | -      | -                                  | -                                | -    | -              | SPI2_MISO | DFSDM1_<br>DATIN0 | USART2_CTS                   |
|        | PD4  | -      | -                                  | -                                | -    | -              | SPI2_MOSI | DFSDM1_CKIN0      | USART2_RTS_<br>DE            |
|        | PD5  | -      | -                                  | -                                | -    | -              | -         | -                 | USART2_TX                    |
|        | PD6  | -      | -                                  | -                                | -    | -              | -         | DFSDM1_<br>DATIN1 | USART2_RX                    |
|        | PD7  | -      | -                                  | -                                | -    | -              | -         | DFSDM1_CKIN1      | USART2_CK                    |
|        | PD8  | -      | -                                  | -                                | -    | -              | -         | -                 | USART3_TX                    |
|        | PD9  | -      | -                                  | -                                | -    | -              | -         | -                 | USART3_RX                    |
|        | PD10 | -      | -                                  | -                                | -    | -              | -         | -                 | USART3_CK                    |
|        | PD11 | -      | -                                  | -                                | -    | -              | -         | -                 | USART3_CTS                   |
|        | PD12 | -      | -                                  | TIM4_CH1                         | -    | -              | -         | -                 | USART3_RTS_<br>DE            |
|        | PD13 | -      | -                                  | TIM4_CH2                         | -    | -              | -         | -                 | -                            |
|        | PD14 | -      | -                                  | TIM4_CH3                         | -    | -              | -         | -                 | -                            |
| PD15   | -    | -      | TIM4_CH4                           | -                                | -    | -              | -         | -                 |                              |

DS10199 Rev 7

89/259

STM32L486xx

Pinouts and pin description

Table 17. Alternate function AF0 to AF7<sup>(1)</sup> (continued)

| Port   | AF0    | AF1                                | AF2                              | AF3        | AF4                  | AF5       | AF6        | AF7                          |
|--------|--------|------------------------------------|----------------------------------|------------|----------------------|-----------|------------|------------------------------|
|        | SYS_AF | TIM1/TIM2/<br>TIM5/TIM8/<br>LPTIM1 | TIM1/TIM2/<br>TIM3/TIM4/<br>TIM5 | TIM8       | I2C1/I2C2/I2C3       | SPI1/SPI2 | SPI3/DFSDM | USART1/<br>USART2/<br>USART3 |
| Port E | PE0    | -                                  | -                                | TIM4_ETR   | -                    | -         | -          | -                            |
|        | PE1    | -                                  | -                                | -          | -                    | -         | -          | -                            |
|        | PE2    | TRACECK                            | -                                | TIM3_ETR   | -                    | -         | -          | -                            |
|        | PE3    | TRACED0                            | -                                | TIM3_CH1   | -                    | -         | -          | -                            |
|        | PE4    | TRACED1                            | -                                | TIM3_CH2   | -                    | -         | -          | DFSDM1_<br>DATIN3            |
|        | PE5    | TRACED2                            | -                                | TIM3_CH3   | -                    | -         | -          | DFSDM1_CKIN3                 |
|        | PE6    | TRACED3                            | -                                | TIM3_CH4   | -                    | -         | -          | -                            |
|        | PE7    | -                                  | TIM1_ETR                         | -          | -                    | -         | -          | DFSDM1_<br>DATIN2            |
|        | PE8    | -                                  | TIM1_CH1N                        | -          | -                    | -         | -          | DFSDM1_CKIN2                 |
|        | PE9    | -                                  | TIM1_CH1                         | -          | -                    | -         | -          | DFSDM1_<br>CKOUT             |
|        | PE10   | -                                  | TIM1_CH2N                        | -          | -                    | -         | -          | DFSDM1_<br>DATIN4            |
|        | PE11   | -                                  | TIM1_CH2                         | -          | -                    | -         | -          | DFSDM1_<br>CKIN4             |
|        | PE12   | -                                  | TIM1_CH3N                        | -          | -                    | -         | SPI1_NSS   | DFSDM1_<br>DATIN5            |
|        | PE13   | -                                  | TIM1_CH3                         | -          | -                    | -         | SPI1_SCK   | DFSDM1_CKIN5                 |
|        | PE14   | -                                  | TIM1_CH4                         | TIM1_BKIN2 | TIM1_BKIN2_<br>COMP2 | -         | SPI1_MISO  | -                            |
|        | PE15   | -                                  | TIM1_BKIN                        | -          | TIM1_BKIN_<br>COMP1  | -         | SPI1_MOSI  | -                            |

Table 17. Alternate function AF0 to AF7<sup>(1)</sup> (continued)

| Port   | AF0    | AF1                                | AF2                              | AF3      | AF4            | AF5       | AF6        | AF7                          |
|--------|--------|------------------------------------|----------------------------------|----------|----------------|-----------|------------|------------------------------|
|        | SYS_AF | TIM1/TIM2/<br>TIM5/TIM8/<br>LPTIM1 | TIM1/TIM2/<br>TIM3/TIM4/<br>TIM5 | TIM8     | I2C1/I2C2/I2C3 | SPI1/SPI2 | SPI3/DFSDM | USART1/<br>USART2/<br>USART3 |
| Port F | PF0    | -                                  | -                                | -        | -              | I2C2_SDA  | -          | -                            |
|        | PF1    | -                                  | -                                | -        | -              | I2C2_SCL  | -          | -                            |
|        | PF2    | -                                  | -                                | -        | -              | I2C2_SMBA | -          | -                            |
|        | PF3    | -                                  | -                                | -        | -              | -         | -          | -                            |
|        | PF4    | -                                  | -                                | -        | -              | -         | -          | -                            |
|        | PF5    | -                                  | -                                | -        | -              | -         | -          | -                            |
|        | PF6    | -                                  | TIM5_ETR                         | TIM5_CH1 | -              | -         | -          | -                            |
|        | PF7    | -                                  | -                                | TIM5_CH2 | -              | -         | -          | -                            |
|        | PF8    | -                                  | -                                | TIM5_CH3 | -              | -         | -          | -                            |
|        | PF9    | -                                  | -                                | TIM5_CH4 | -              | -         | -          | -                            |
|        | PF10   | -                                  | -                                | -        | -              | -         | -          | -                            |
|        | PF11   | -                                  | -                                | -        | -              | -         | -          | -                            |
|        | PF12   | -                                  | -                                | -        | -              | -         | -          | -                            |
|        | PF13   | -                                  | -                                | -        | -              | -         | -          | DFSDM1_<br>DATIN6            |
|        | PF14   | -                                  | -                                | -        | -              | -         | -          | DFSDM1_CKIN6                 |
| PF15   | -      | -                                  | -                                | -        | -              | -         | -          |                              |

Table 17. Alternate function AF0 to AF7<sup>(1)</sup> (continued)

| Port   | AF0    | AF1                                | AF2                              | AF3  | AF4            | AF5       | AF6        | AF7                          |                   |
|--------|--------|------------------------------------|----------------------------------|------|----------------|-----------|------------|------------------------------|-------------------|
|        | SYS_AF | TIM1/TIM2/<br>TIM5/TIM8/<br>LPTIM1 | TIM1/TIM2/<br>TIM3/TIM4/<br>TIM5 | TIM8 | I2C1/I2C2/I2C3 | SPI1/SPI2 | SPI3/DFSDM | USART1/<br>USART2/<br>USART3 |                   |
| Port G | PG0    | -                                  | -                                | -    | -              | -         | -          | -                            |                   |
|        | PG1    | -                                  | -                                | -    | -              | -         | -          | -                            |                   |
|        | PG2    | -                                  | -                                | -    | -              | -         | SPI1_SCK   | -                            |                   |
|        | PG3    | -                                  | -                                | -    | -              | -         | SPI1_MISO  | -                            |                   |
|        | PG4    | -                                  | -                                | -    | -              | -         | SPI1_MOSI  | -                            |                   |
|        | PG5    | -                                  | -                                | -    | -              | -         | SPI1_NSS   | -                            |                   |
|        | PG6    | -                                  | -                                | -    | -              | I2C3_SMBA | -          | -                            |                   |
|        | PG7    | -                                  | -                                | -    | -              | I2C3_SCL  | -          | -                            |                   |
|        | PG8    | -                                  | -                                | -    | -              | I2C3_SDA  | -          | -                            |                   |
|        | PG9    | -                                  | -                                | -    | -              | -         | -          | SPI3_SCK                     | USART1_TX         |
|        | PG10   | -                                  | LPTIM1_IN1                       | -    | -              | -         | -          | SPI3_MISO                    | USART1_RX         |
|        | PG11   | -                                  | LPTIM1_IN2                       | -    | -              | -         | -          | SPI3_MOSI                    | USART1_CTS        |
|        | PG12   | -                                  | LPTIM1_ETR                       | -    | -              | -         | -          | SPI3_NSS                     | USART1_RTS_<br>DE |
|        | PG13   | -                                  | -                                | -    | -              | I2C1_SDA  | -          | -                            | USART1_CK         |
|        | PG14   | -                                  | -                                | -    | -              | I2C1_SCL  | -          | -                            | -                 |
| PG15   | -      | LPTIM1_OUT                         | -                                | -    | I2C1_SMBA      | -         | -          | -                            |                   |
| Port H | PH0    | -                                  | -                                | -    | -              | -         | -          | -                            |                   |
|        | PH1    | -                                  | -                                | -    | -              | -         | -          | -                            |                   |

1. Please refer to [Table 18](#) for AF8 to AF15.

**Table 18. Alternate function AF8 to AF15<sup>(1)</sup>**

| Port   |                  | AF8                         | AF9       | AF10            | AF11     | AF12                                    | AF13                | AF14                                    | AF15     |
|--------|------------------|-----------------------------|-----------|-----------------|----------|---|---------------------|---|----------|
|        |                  | UART4,<br>UART5,<br>LPUART1 | CAN1, TSC | OTG_FS, QUADSPI | LCD      | SDMMC1, COMP1,<br>COMP2, FMC,<br>SWPMI1 | SAI1, SAI2          | TIM2, TIM15,<br>TIM16, TIM17,<br>LPTIM2 | EVENTOUT |
| Port A | PA0              | UART4_TX                    | -         | -               | -        | -                                       | SAI1_EXTCLK         | TIM2_ETR                                | EVENTOUT |
|        | PA1              | UART4_RX                    | -         | -               | LCD_SEG0 | -                                       | -                   | TIM15_CH1N                              | EVENTOUT |
|        | PA2              | -                           | -         | -               | LCD_SEG1 | -                                       | SAI2_EXTCLK         | TIM15_CH1                               | EVENTOUT |
|        | PA3              | -                           | -         | -               | LCD_SEG2 | -                                       | -                   | TIM15_CH2                               | EVENTOUT |
|        | PA4              | -                           | -         | -               | -        | -                                       | SAI1_FS_B           | LPTIM2_OUT                              | EVENTOUT |
|        | PA5              | -                           | -         | -               | -        | -                                       | -                   | LPTIM2_ETR                              | EVENTOUT |
|        | PA6              | -                           | -         | QUADSPI_BK1_IO3 | LCD_SEG3 | TIM1_BKIN_<br>COMP2                     | TIM8_BKIN_<br>COMP2 | TIM16_CH1                               | EVENTOUT |
|        | PA7              | -                           | -         | QUADSPI_BK1_IO2 | LCD_SEG4 | -                                       | -                   | TIM17_CH1                               | EVENTOUT |
|        | PA8              | -                           | -         | OTG_FS_SOF      | LCD_COM0 | -                                       | -                   | LPTIM2_OUT                              | EVENTOUT |
|        | PA9              | -                           | -         | -               | LCD_COM1 | -                                       | -                   | TIM15_BKIN                              | EVENTOUT |
|        | PA10             | -                           | -         | OTG_FS_ID       | LCD_COM2 | -                                       | -                   | TIM17_BKIN                              | EVENTOUT |
|        | PA11             | -                           | CAN1_RX   | OTG_FS_DM       | -        | TIM1_BKIN2_<br>COMP1                    | -                   | -                                       | EVENTOUT |
|        | PA12             | -                           | CAN1_TX   | OTG_FS_DP       | -        | -                                       | -                   | -                                       | EVENTOUT |
|        | PA13             | -                           | -         | OTG_FS_NOE      | -        | -                                       | -                   | -                                       | EVENTOUT |
|        | PA14             | -                           | -         | -               | -        | -                                       | -                   | -                                       | EVENTOUT |
| PA15   | UART4_RTS_<br>DE | TSC_G3_IO1                  | -         | LCD_SEG17       | -        | SAI2_FS_B                               | -                   | EVENTOUT                                |          |

Table 18. Alternate function AF8 to AF15<sup>(1)</sup> (continued)

| Port   | AF8                         | AF9            | AF10            | AF11            | AF12                                    | AF13             | AF14                                    | AF15       |          |
|--------|-----------------------------|----------------|-----------------|-----------------|---|------------------|---|------------|----------|
|        | UART4,<br>UART5,<br>LPUART1 | CAN1, TSC      | OTG_FS, QUADSPI | LCD             | SDMMC1, COMP1,<br>COMP2, FMC,<br>SWPMI1 | SAI1, SAI2       | TIM2, TIM15,<br>TIM16, TIM17,<br>LPTIM2 | EVENTOUT   |          |
| Port B | PB0                         | -              | -               | QUADSPI_BK1_IO1 | LCD_SEG5                                | COMP1_OUT        | -                                       | -          | EVENTOUT |
|        | PB1                         | -              | -               | QUADSPI_BK1_IO0 | LCD_SEG6                                | -                | -                                       | LPTIM2_IN1 | EVENTOUT |
|        | PB2                         | -              | -               | -               | -                                       | -                | -                                       | -          | EVENTOUT |
|        | PB3                         | -              | -               | -               | LCD_SEG7                                | -                | SAI1_SCK_B                              | -          | EVENTOUT |
|        | PB4                         | UART5_RTS_DE   | TSC_G2_IO1      | -               | LCD_SEG8                                | -                | SAI1_MCLK_B                             | TIM17_BKIN | EVENTOUT |
|        | PB5                         | UART5_CTS      | TSC_G2_IO2      | -               | LCD_SEG9                                | COMP2_OUT        | SAI1_SD_B                               | TIM16_BKIN | EVENTOUT |
|        | PB6                         | -              | TSC_G2_IO3      | -               | -                                       | TIM8_BKIN2_COMP2 | SAI1_FS_B                               | TIM16_CH1N | EVENTOUT |
|        | PB7                         | UART4_CTS      | TSC_G2_IO4      | -               | LCD_SEG21                               | FMC_NL           | TIM8_BKIN_COMP1                         | TIM17_CH1N | EVENTOUT |
|        | PB8                         | -              | CAN1_RX         | -               | LCD_SEG16                               | SDMMC1_D4        | SAI1_MCLK_A                             | TIM16_CH1  | EVENTOUT |
|        | PB9                         | -              | CAN1_TX         | -               | LCD_COM3                                | SDMMC1_D5        | SAI1_FS_A                               | TIM17_CH1  | EVENTOUT |
|        | PB10                        | LPUART1_RX     | -               | QUADSPI_CLK     | LCD_SEG10                               | COMP1_OUT        | SAI1_SCK_A                              | -          | EVENTOUT |
|        | PB11                        | LPUART1_TX     | -               | QUADSPI_NCS     | LCD_SEG11                               | COMP2_OUT        | -                                       | -          | EVENTOUT |
|        | PB12                        | LPUART1_RTS_DE | TSC_G1_IO1      | -               | LCD_SEG12                               | SWPMI1_IO        | SAI2_FS_A                               | TIM15_BKIN | EVENTOUT |
|        | PB13                        | LPUART1_CTS    | TSC_G1_IO2      | -               | LCD_SEG13                               | SWPMI1_TX        | SAI2_SCK_A                              | TIM15_CH1N | EVENTOUT |
|        | PB14                        | -              | TSC_G1_IO3      | -               | LCD_SEG14                               | SWPMI1_RX        | SAI2_MCLK_A                             | TIM15_CH1  | EVENTOUT |
| PB15   | -                           | TSC_G1_IO4     | -               | LCD_SEG15       | SWPMI1_SUSPEND                          | SAI2_SD_A        | TIM15_CH2                               | EVENTOUT   |          |



Table 18. Alternate function AF8 to AF15<sup>(1)</sup> (continued)

| Port   | AF8                         | AF9        | AF10            | AF11       | AF12                                    | AF13       | AF14                                    | AF15             |          |
|--------|-----------------------------|------------|-----------------|------------|---|------------|---|------------------|----------|
|        | UART4,<br>UART5,<br>LPUART1 | CAN1, TSC  | OTG_FS, QUADSPI | LCD        | SDMMC1, COMP1,<br>COMP2, FMC,<br>SWPMI1 | SAI1, SAI2 | TIM2, TIM15,<br>TIM16, TIM17,<br>LPTIM2 | EVENTOUT         |          |
| Port C | PC0                         | LPUART1_RX | -               | -          | LCD_SEG18                               | -          | -                                       | LPTIM2_IN1       | EVENTOUT |
|        | PC1                         | LPUART1_TX | -               | -          | LCD_SEG19                               | -          | -                                       | -                | EVENTOUT |
|        | PC2                         | -          | -               | -          | LCD_SEG20                               | -          | -                                       | -                | EVENTOUT |
|        | PC3                         | -          | -               | -          | LCD_VLCD                                | -          | SAI1_SD_A                               | LPTIM2_ETR       | EVENTOUT |
|        | PC4                         | -          | -               | -          | LCD_SEG22                               | -          | -                                       | -                | EVENTOUT |
|        | PC5                         | -          | -               | -          | LCD_SEG23                               | -          | -                                       | -                | EVENTOUT |
|        | PC6                         | -          | TSC_G4_IO1      | -          | LCD_SEG24                               | SDMMC1_D6  | SAI2_MCLK_A                             | -                | EVENTOUT |
|        | PC7                         | -          | TSC_G4_IO2      | -          | LCD_SEG25                               | SDMMC1_D7  | SAI2_MCLK_B                             | -                | EVENTOUT |
|        | PC8                         | -          | TSC_G4_IO3      | -          | LCD_SEG26                               | SDMMC1_D0  | -                                       | -                | EVENTOUT |
|        | PC9                         | -          | TSC_G4_IO4      | OTG_FS_NOE | LCD_SEG27                               | SDMMC1_D1  | SAI2_EXTCLK                             | TIM8_BKIN2_COMP1 | EVENTOUT |
|        | PC10                        | UART4_TX   | TSC_G3_IO2      | -          | LCD_COM4/<br>LCD_SEG28/<br>LCD_SEG40    | SDMMC1_D2  | SAI2_SCK_B                              | -                | EVENTOUT |
|        | PC11                        | UART4_RX   | TSC_G3_IO3      | -          | LCD_COM5/<br>LCD_SEG29/<br>LCD_SEG41    | SDMMC1_D3  | SAI2_MCLK_B                             | -                | EVENTOUT |
|        | PC12                        | UART5_TX   | TSC_G3_IO4      | -          | LCD_COM6/<br>LCD_SEG30/<br>LCD_SEG42    | SDMMC1_CK  | SAI2_SD_B                               | -                | EVENTOUT |
|        | PC13                        | -          | -               | -          | -                                       | -          | -                                       | -                | EVENTOUT |
|        | PC14                        | -          | -               | -          | -                                       | -          | -                                       | -                | EVENTOUT |
| PC15   | -                           | -          | -               | -          | -                                       | -          | -                                       | EVENTOUT         |          |

DS10199 Rev 7

95/259

STM32L486xx

Pinouts and pin description

Table 18. Alternate function AF8 to AF15<sup>(1)</sup> (continued)

| Port   | AF8                         | AF9       | AF10            | AF11      | AF12                                    | AF13       | AF14                                    | AF15       |          |
|--------|-----------------------------|-----------|-----------------|-----------|---|------------|---|------------|----------|
|        | UART4,<br>UART5,<br>LPUART1 | CAN1, TSC | OTG_FS, QUADSPI | LCD       | SDMMC1, COMP1,<br>COMP2, FMC,<br>SWPMI1 | SAI1, SAI2 | TIM2, TIM15,<br>TIM16, TIM17,<br>LPTIM2 | EVENTOUT   |          |
| Port D | PD0                         | -         | CAN1_RX         | -         | -                                       | FMC_D2     | -                                       | -          | EVENTOUT |
|        | PD1                         | -         | CAN1_TX         | -         | -                                       | FMC_D3     | -                                       | -          | EVENTOUT |
|        | PD2                         | UART5_RX  | TSC_SYNC        | -         | LCD_COM7/<br>LCD_SEG31/<br>LCD_SEG43    | SDMMC1_CMD | -                                       | -          | EVENTOUT |
|        | PD3                         | -         | -               | -         | -                                       | FMC_CLK    | -                                       | -          | EVENTOUT |
|        | PD4                         | -         | -               | -         | -                                       | FMC_NOE    | -                                       | -          | EVENTOUT |
|        | PD5                         | -         | -               | -         | -                                       | FMC_NWE    | -                                       | -          | EVENTOUT |
|        | PD6                         | -         | -               | -         | -                                       | FMC_NWAIT  | SAI1_SD_A                               | -          | EVENTOUT |
|        | PD7                         | -         | -               | -         | -                                       | FMC_NE1    | -                                       | -          | EVENTOUT |
|        | PD8                         | -         | -               | -         | LCD_SEG28                               | FMC_D13    | -                                       | -          | EVENTOUT |
|        | PD9                         | -         | -               | -         | LCD_SEG29                               | FMC_D14    | SAI2_MCLK_A                             | -          | EVENTOUT |
|        | PD10                        | -         | TSC_G6_IO1      | -         | LCD_SEG30                               | FMC_D15    | SAI2_SCK_A                              | -          | EVENTOUT |
|        | PD11                        | -         | TSC_G6_IO2      | -         | LCD_SEG31                               | FMC_A16    | SAI2_SD_A                               | LPTIM2_ETR | EVENTOUT |
|        | PD12                        | -         | TSC_G6_IO3      | -         | LCD_SEG32                               | FMC_A17    | SAI2_FS_A                               | LPTIM2_IN1 | EVENTOUT |
|        | PD13                        | -         | TSC_G6_IO4      | -         | LCD_SEG33                               | FMC_A18    | -                                       | LPTIM2_OUT | EVENTOUT |
|        | PD14                        | -         | -               | -         | LCD_SEG34                               | FMC_D0     | -                                       | -          | EVENTOUT |
| PD15   | -                           | -         | -               | LCD_SEG35 | FMC_D1                                  | -          | -                                       | EVENTOUT   |          |





Table 18. Alternate function AF8 to AF15<sup>(1)</sup> (continued)

| Port   | AF8                         | AF9       | AF10            | AF11            | AF12                                    | AF13       | AF14                                    | AF15      |          |
|--------|-----------------------------|-----------|-----------------|-----------------|---|------------|---|-----------|----------|
|        | UART4,<br>UART5,<br>LPUART1 | CAN1, TSC | OTG_FS, QUADSPI | LCD             | SDMMC1, COMP1,<br>COMP2, FMC,<br>SWPMI1 | SAI1, SAI2 | TIM2, TIM15,<br>TIM16, TIM17,<br>LPTIM2 | EVENTOUT  |          |
| Port E | PE0                         | -         | -               | -               | LCD_SEG36                               | FMC_NBL0   | -                                       | TIM16_CH1 | EVENTOUT |
|        | PE1                         | -         | -               | -               | LCD_SEG37                               | FMC_NBL1   | -                                       | TIM17_CH1 | EVENTOUT |
|        | PE2                         | -         | TSC_G7_IO1      | -               | LCD_SEG38                               | FMC_A23    | SAI1_MCLK_A                             | -         | EVENTOUT |
|        | PE3                         | -         | TSC_G7_IO2      | -               | LCD_SEG39                               | FMC_A19    | SAI1_SD_B                               | -         | EVENTOUT |
|        | PE4                         | -         | TSC_G7_IO3      | -               | -                                       | FMC_A20    | SAI1_FS_A                               | -         | EVENTOUT |
|        | PE5                         | -         | TSC_G7_IO4      | -               | -                                       | FMC_A21    | SAI1_SCK_A                              | -         | EVENTOUT |
|        | PE6                         | -         | -               | -               | -                                       | FMC_A22    | SAI1_SD_A                               | -         | EVENTOUT |
|        | PE7                         | -         | -               | -               | -                                       | FMC_D4     | SAI1_SD_B                               | -         | EVENTOUT |
|        | PE8                         | -         | -               | -               | -                                       | FMC_D5     | SAI1_SCK_B                              | -         | EVENTOUT |
|        | PE9                         | -         | -               | -               | -                                       | FMC_D6     | SAI1_FS_B                               | -         | EVENTOUT |
|        | PE10                        | -         | TSC_G5_IO1      | QUADSPI_CLK     | -                                       | FMC_D7     | SAI1_MCLK_B                             | -         | EVENTOUT |
|        | PE11                        | -         | TSC_G5_IO2      | QUADSPI_NCS     | -                                       | FMC_D8     | -                                       | -         | EVENTOUT |
|        | PE12                        | -         | TSC_G5_IO3      | QUADSPI_BK1_IO0 | -                                       | FMC_D9     | -                                       | -         | EVENTOUT |
|        | PE13                        | -         | TSC_G5_IO4      | QUADSPI_BK1_IO1 | -                                       | FMC_D10    | -                                       | -         | EVENTOUT |
|        | PE14                        | -         | -               | QUADSPI_BK1_IO2 | -                                       | FMC_D11    | -                                       | -         | EVENTOUT |
| PE15   | -                           | -         | QUADSPI_BK1_IO3 | -               | FMC_D12                                 | -          | -                                       | EVENTOUT  |          |

Table 18. Alternate function AF8 to AF15<sup>(1)</sup> (continued)

| Port   | AF8                         | AF9        | AF10            | AF11 | AF12                                    | AF13       | AF14                                    | AF15      |          |
|--------|-----------------------------|------------|-----------------|------|---|------------|---|-----------|----------|
|        | UART4,<br>UART5,<br>LPUART1 | CAN1, TSC  | OTG_FS, QUADSPI | LCD  | SDMMC1, COMP1,<br>COMP2, FMC,<br>SWPMI1 | SAI1, SAI2 | TIM2, TIM15,<br>TIM16, TIM17,<br>LPTIM2 | EVENTOUT  |          |
| Port F | PF0                         | -          | -               | -    | -                                       | FMC_A0     | -                                       | -         | EVENTOUT |
|        | PF1                         | -          | -               | -    | -                                       | FMC_A1     | -                                       | -         | EVENTOUT |
|        | PF2                         | -          | -               | -    | -                                       | FMC_A2     | -                                       | -         | EVENTOUT |
|        | PF3                         | -          | -               | -    | -                                       | FMC_A3     | -                                       | -         | EVENTOUT |
|        | PF4                         | -          | -               | -    | -                                       | FMC_A4     | -                                       | -         | EVENTOUT |
|        | PF5                         | -          | -               | -    | -                                       | FMC_A5     | -                                       | -         | EVENTOUT |
|        | PF6                         | -          | -               | -    | -                                       | -          | SAI1_SD_B                               | -         | EVENTOUT |
|        | PF7                         | -          | -               | -    | -                                       | -          | SAI1_MCLK_B                             | -         | EVENTOUT |
|        | PF8                         | -          | -               | -    | -                                       | -          | SAI1_SCK_B                              | -         | EVENTOUT |
|        | PF9                         | -          | -               | -    | -                                       | -          | SAI1_FS_B                               | TIM15_CH1 | EVENTOUT |
|        | PF10                        | -          | -               | -    | -                                       | -          | -                                       | TIM15_CH2 | EVENTOUT |
|        | PF11                        | -          | -               | -    | -                                       | -          | -                                       | -         | EVENTOUT |
|        | PF12                        | -          | -               | -    | -                                       | FMC_A6     | -                                       | -         | EVENTOUT |
|        | PF13                        | -          | -               | -    | -                                       | FMC_A7     | -                                       | -         | EVENTOUT |
|        | PF14                        | -          | TSC_G8_IO1      | -    | -                                       | FMC_A8     | -                                       | -         | EVENTOUT |
| PF15   | -                           | TSC_G8_IO2 | -               | -    | FMC_A9                                  | -          | -                                       | EVENTOUT  |          |

**Table 18. Alternate function AF8 to AF15<sup>(1)</sup> (continued)**

| Port   | AF8                         | AF9            | AF10            | AF11 | AF12                                    | AF13                | AF14                                    | AF15       |          |
|--------|-----------------------------|----------------|-----------------|------|---|---------------------|---|------------|----------|
|        | UART4,<br>UART5,<br>LPUART1 | CAN1, TSC      | OTG_FS, QUADSPI | LCD  | SDMMC1, COMP1,<br>COMP2, FMC,<br>SWPMI1 | SAI1, SAI2          | TIM2, TIM15,<br>TIM16, TIM17,<br>LPTIM2 | EVENTOUT   |          |
| Port G | PG0                         | -              | TSC_G8_IO3      | -    | -                                       | FMC_A10             | -                                       | -          | EVENTOUT |
|        | PG1                         | -              | TSC_G8_IO4      | -    | -                                       | FMC_A11             | -                                       | -          | EVENTOUT |
|        | PG2                         | -              | -               | -    | -                                       | FMC_A12             | SAI2_SCK_B                              | -          | EVENTOUT |
|        | PG3                         | -              | -               | -    | -                                       | FMC_A13             | SAI2_FS_B                               | -          | EVENTOUT |
|        | PG4                         | -              | -               | -    | -                                       | FMC_A14             | SAI2_MCLK_B                             | -          | EVENTOUT |
|        | PG5                         | LPUART1_CTS    | -               | -    | -                                       | FMC_A15             | SAI2_SD_B                               | -          | EVENTOUT |
|        | PG6                         | LPUART1_RTS_DE | -               | -    | -                                       | -                   | -                                       | -          | EVENTOUT |
|        | PG7                         | LPUART1_TX     | -               | -    | -                                       | FMC_INT             | -                                       | -          | EVENTOUT |
|        | PG8                         | LPUART1_RX     | -               | -    | -                                       | -                   | -                                       | -          | EVENTOUT |
|        | PG9                         | -              | -               | -    | -                                       | FMC_NCE/<br>FMC_NE2 | SAI2_SCK_A                              | TIM15_CH1N | EVENTOUT |
|        | PG10                        | -              | -               | -    | -                                       | FMC_NE3             | SAI2_FS_A                               | TIM15_CH1  | EVENTOUT |
|        | PG11                        | -              | -               | -    | -                                       | -                   | SAI2_MCLK_A                             | TIM15_CH2  | EVENTOUT |
|        | PG12                        | -              | -               | -    | -                                       | FMC_NE4             | SAI2_SD_A                               | -          | EVENTOUT |
|        | PG13                        | -              | -               | -    | -                                       | FMC_A24             | -                                       | -          | EVENTOUT |
|        | PG14                        | -              | -               | -    | -                                       | FMC_A25             | -                                       | -          | EVENTOUT |
| PG15   | -                           | -              | -               | -    | -                                       | -                   | -                                       | EVENTOUT   |          |

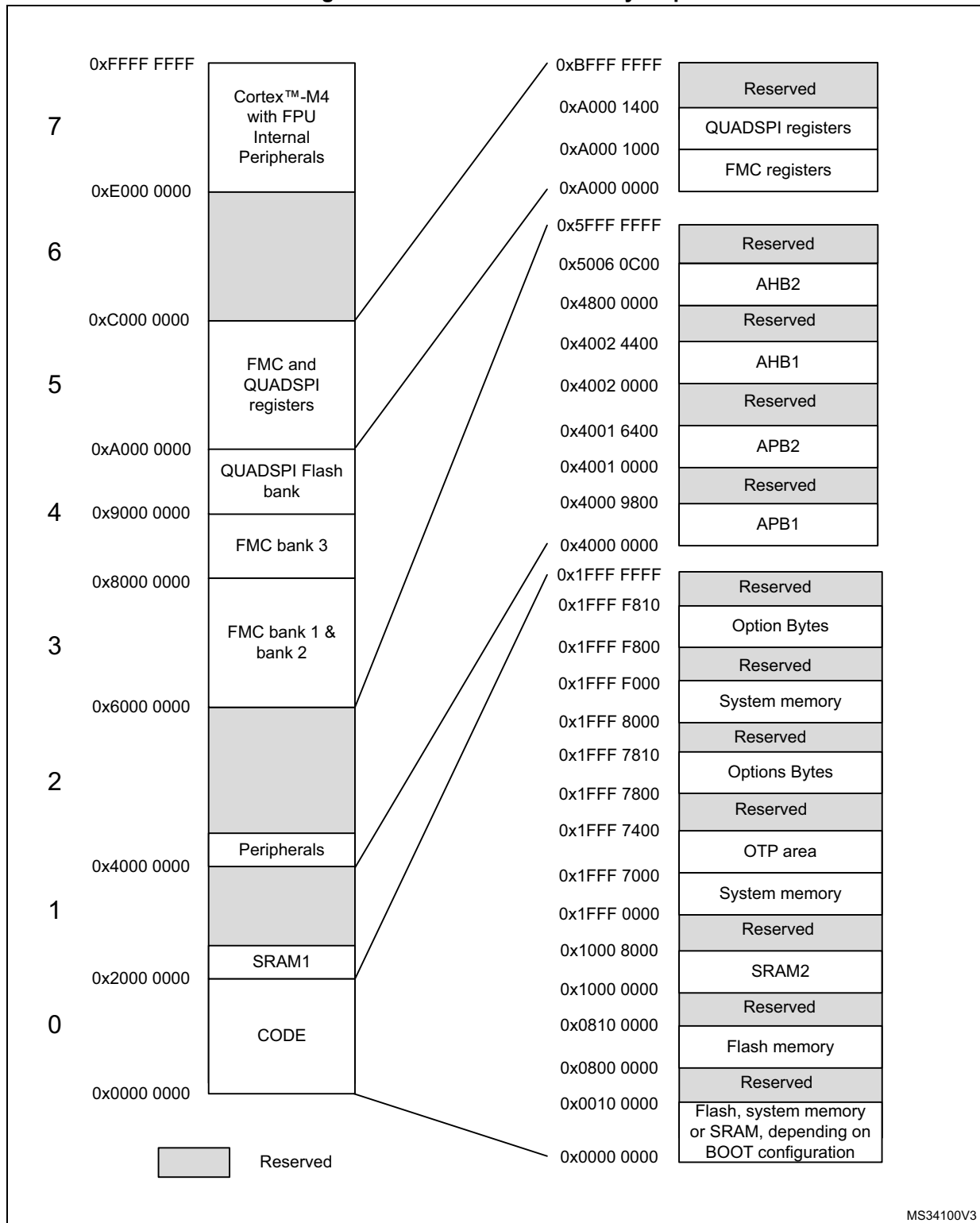

**Table 18. Alternate function AF8 to AF15<sup>(1)</sup> (continued)**

| Port   |     | AF8                         | AF9       | AF10            | AF11 | AF12                                    | AF13       | AF14                                    | AF15     |
|--------|-----|-----------------------------|-----------|-----------------|------|---|------------|---|----------|
|        |     | UART4,<br>UART5,<br>LPUART1 | CAN1, TSC | OTG_FS, QUADSPI | LCD  | SDMMC1, COMP1,<br>COMP2, FMC,<br>SWPMI1 | SAI1, SAI2 | TIM2, TIM15,<br>TIM16, TIM17,<br>LPTIM2 | EVENTOUT |
| Port H | PH0 | -                           | -         | -               | -    | -                                       | -          | -                                       | EVENTOUT |
|        | PH1 | -                           | -         | -               | -    | -                                       | -          | -                                       | EVENTOUT |

1. Please refer to [Table 17](#) for AF0 to AF7.

# 5 Memory mapping

Figure 14. STM32L486xx memory map



MS34100V3

Table 19. STM32L486xx memory map and peripheral register boundary addresses<sup>(1)</sup>

| Bus                       | Boundary address          | Size (bytes) | Peripheral      |
|---------------------------|---------------------------|--------------|-----------------|
| AHB3                      | 0xA000 1000 - 0xA000 13FF | 1 KB         | QUADSPI         |
|                           | 0xA000 0000 - 0xA000 0FFF | 4 KB         | FMC             |
| AHB2                      | 0x5006 0800 - 0x5006 0BFF | 1 KB         | RNG             |
|                           | 0x5006 0400 - 0x5006 07FF | 1 KB         | Reserved        |
|                           | 0x5006 0000 - 0x5006 03FF | 1 KB         | AES             |
|                           | 0x5004 0400 - 0x5005 FFFF | 127 KB       | Reserved        |
|                           | 0x5004 0000 - 0x5004 03FF | 1 KB         | ADC             |
|                           | 0x5000 0000 - 0x5003 FFFF | 16 KB        | OTG_FS          |
|                           | 0x4800 2000 - 0x4FFF FFFF | ~127 MB      | Reserved        |
|                           | 0x4800 1C00 - 0x4800 1FFF | 1 KB         | GPIOH           |
|                           | 0x4800 1800 - 0x4800 1BFF | 1 KB         | GPIOG           |
|                           | 0x4800 1400 - 0x4800 17FF | 1 KB         | GPIOF           |
|                           | 0x4800 1000 - 0x4800 13FF | 1 KB         | GPIOE           |
|                           | 0x4800 0C00 - 0x4800 0FFF | 1 KB         | GPIOD           |
|                           | 0x4800 0800 - 0x4800 0BFF | 1 KB         | GPIOC           |
|                           | 0x4800 0400 - 0x4800 07FF | 1 KB         | GPIOB           |
| 0x4800 0000 - 0x4800 03FF | 1 KB                      | GPIOA        |                 |
| -                         | 0x4002 4400 - 0x47FF FFFF | ~127 MB      | Reserved        |
| AHB1                      | 0x4002 4000 - 0x4002 43FF | 1 KB         | TSC             |
|                           | 0x4002 3400 - 0x4002 3FFF | 1 KB         | Reserved        |
|                           | 0x4002 3000 - 0x4002 33FF | 1 KB         | CRC             |
|                           | 0x4002 2400 - 0x4002 2FFF | 3 KB         | Reserved        |
|                           | 0x4002 2000 - 0x4002 23FF | 1 KB         | FLASH registers |
|                           | 0x4002 1400 - 0x4002 1FFF | 3 KB         | Reserved        |
|                           | 0x4002 1000 - 0x4002 13FF | 1 KB         | RCC             |
|                           | 0x4002 0800 - 0x4002 0FFF | 2 KB         | Reserved        |
|                           | 0x4002 0400 - 0x4002 07FF | 1 KB         | DMA2            |
|                           | 0x4002 0000 - 0x4002 03FF | 1 KB         | DMA1            |

**Table 19. STM32L486xx memory map and peripheral register boundary addresses<sup>(1)</sup>  
(continued)**

| Bus  | Boundary address          | Size (bytes) | Peripheral |
|------|---------------------------|--------------|------------|
| APB2 | 0x4001 6400 - 0x4001 FFFF | 39 KB        | Reserved   |
|      | 0x4001 6000 - 0x4000 63FF | 1 KB         | DFSDM1     |
|      | 0x4001 5C00 - 0x4000 5FFF | 1 KB         | Reserved   |
|      | 0x4001 5800 - 0x4000 5BFF | 1 KB         | SAI2       |
|      | 0x4001 5400 - 0x4000 57FF | 1 KB         | SAI1       |
|      | 0x4001 4C00 - 0x4000 53FF | 2 KB         | Reserved   |
|      | 0x4001 4800 - 0x4001 4BFF | 1 KB         | TIM17      |
| APB2 | 0x4001 4400 - 0x4001 47FF | 1 KB         | TIM16      |
|      | 0x4001 4000 - 0x4001 43FF | 1 KB         | TIM15      |
|      | 0x4001 3C00 - 0x4001 3FFF | 1 KB         | Reserved   |
|      | 0x4001 3800 - 0x4001 3BFF | 1 KB         | USART1     |
|      | 0x4001 3400 - 0x4001 37FF | 1 KB         | TIM8       |
|      | 0x4001 3000 - 0x4001 33FF | 1 KB         | SPI1       |
|      | 0x4001 2C00 - 0x4001 2FFF | 1 KB         | TIM1       |
|      | 0x4001 2800 - 0x4001 2BFF | 1 KB         | SDMMC1     |
|      | 0x4001 2000 - 0x4001 27FF | 2 KB         | Reserved   |
|      | 0x4001 1C00 - 0x4001 1FFF | 1 KB         | FIREWALL   |
|      | 0x4001 0800 - 0x4001 1BFF | 5 KB         | Reserved   |
|      | 0x4001 0400 - 0x4001 07FF | 1 KB         | EXTI       |
|      | 0x4001 0200 - 0x4001 03FF | 1 KB         | COMP       |
|      | 0x4001 0030 - 0x4001 01FF |              | VREFBUF    |
|      | 0x4001 0000 - 0x4001 002F |              | SYSCFG     |

**Table 19. STM32L486xx memory map and peripheral register boundary addresses<sup>(1)</sup>  
(continued)**

| Bus  | Boundary address          | Size (bytes) | Peripheral |
|------|---------------------------|--------------|------------|
| APB1 | 0x4000 9800 - 0x4000 FFFF | 26 KB        | Reserved   |
|      | 0x4000 9400 - 0x4000 97FF | 1 KB         | LPTIM2     |
|      | 0x4000 8C00 - 0x4000 93FF | 2 KB         | Reserved   |
|      | 0x4000 8800 - 0x4000 8BFF | 1 KB         | SWPMI1     |
|      | 0x4000 8400 - 0x4000 87FF | 1 KB         | Reserved   |
|      | 0x4000 8000 - 0x4000 83FF | 1 KB         | LPUART1    |
|      | 0x4000 7C00 - 0x4000 7FFF | 1 KB         | LPTIM1     |
|      | 0x4000 7800 - 0x4000 7BFF | 1 KB         | OPAMP      |
|      | 0x4000 7400 - 0x4000 77FF | 1 KB         | DAC1       |
|      | 0x4000 7000 - 0x4000 73FF | 1 KB         | PWR        |
|      | 0x4000 6800 - 0x4000 6FFF | 1 KB         | Reserved   |
|      | 0x4000 6400 - 0x4000 67FF | 1 KB         | CAN1       |
|      | 0x4000 6000 - 0x4000 63FF | 1 KB         | Reserved   |
|      | 0x4000 5C00 - 0x4000 5FFF | 1 KB         | I2C3       |
|      | 0x4000 5800 - 0x4000 5BFF | 1 KB         | I2C2       |
|      | 0x4000 5400 - 0x4000 57FF | 1 KB         | I2C1       |
|      | 0x4000 5000 - 0x4000 53FF | 1 KB         | UART5      |
|      | 0x4000 4C00 - 0x4000 4FFF | 1 KB         | UART4      |



**Table 19. STM32L486xx memory map and peripheral register boundary addresses<sup>(1)</sup>  
(continued)**

| Bus                       | Boundary address          | Size (bytes) | Peripheral |
|---------------------------|---------------------------|--------------|------------|
| APB1                      | 0x4000 4800 - 0x4000 4BFF | 1 KB         | USART3     |
|                           | 0x4000 4400 - 0x4000 47FF | 1 KB         | USART2     |
|                           | 0x4000 4000 - 0x4000 43FF | 1 KB         | Reserved   |
|                           | 0x4000 3C00 - 0x4000 3FFF | 1 KB         | SPI3       |
|                           | 0x4000 3800 - 0x4000 3BFF | 1 KB         | SPI2       |
|                           | 0x4000 3400 - 0x4000 37FF | 1 KB         | Reserved   |
|                           | 0x4000 3000 - 0x4000 33FF | 1 KB         | IWDG       |
|                           | 0x4000 2C00 - 0x4000 2FFF | 1 KB         | WWDG       |
|                           | 0x4000 2800 - 0x4000 2BFF | 1 KB         | RTC        |
|                           | 0x4000 2400 - 0x4000 27FF | 1 KB         | LCD        |
|                           | 0x4000 1800 - 0x4000 23FF | 3 KB         | Reserved   |
|                           | 0x4000 1400 - 0x4000 17FF | 1 KB         | TIM7       |
|                           | 0x4000 1000 - 0x4000 13FF | 1 KB         | TIM6       |
|                           | 0x4000 0C00 - 0x4000 0FFF | 1 KB         | TIM5       |
|                           | 0x4000 0800 - 0x4000 0BFF | 1 KB         | TIM4       |
|                           | 0x4000 0400 - 0x4000 07FF | 1 KB         | TIM3       |
| 0x4000 0000 - 0x4000 03FF | 1 KB                      | TIM2         |            |

1. The gray color is used for reserved boundary addresses.

## 6 Electrical characteristics

### 6.1 Parameter conditions

Unless otherwise specified, all voltages are referenced to  $V_{SS}$ .

#### 6.1.1 Minimum and maximum values

Unless otherwise specified, the minimum and maximum values are guaranteed in the worst conditions of ambient temperature, supply voltage and frequencies by tests in production on 100% of the devices with an ambient temperature at  $T_A = 25\text{ }^\circ\text{C}$  and  $T_A = T_{Amax}$  (given by the selected temperature range).

Data based on characterization results, design simulation and/or technology characteristics are indicated in the table footnotes and are not tested in production. Based on characterization, the minimum and maximum values refer to sample tests and represent the mean value plus or minus three times the standard deviation (mean  $\pm 3\sigma$ ).

#### 6.1.2 Typical values

Unless otherwise specified, typical data are based on  $T_A = 25\text{ }^\circ\text{C}$ ,  $V_{DD} = V_{DDA} = 3\text{ V}$ . They are given only as design guidelines and are not tested.

Typical ADC accuracy values are determined by characterization of a batch of samples from a standard diffusion lot over the full temperature range, where 95% of the devices have an error less than or equal to the value indicated (mean  $\pm 2\sigma$ ).

#### 6.1.3 Typical curves

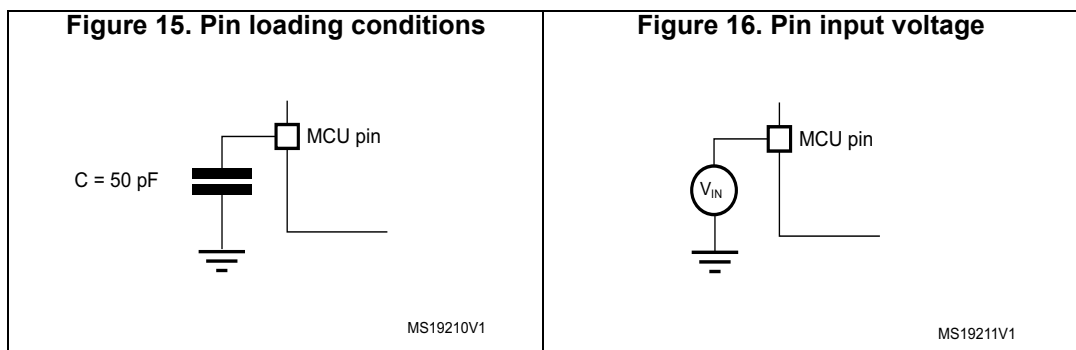
Unless otherwise specified, all typical curves are given only as design guidelines and are not tested.

#### 6.1.4 Loading capacitor

The loading conditions used for pin parameter measurement are shown in [Figure 15](#).

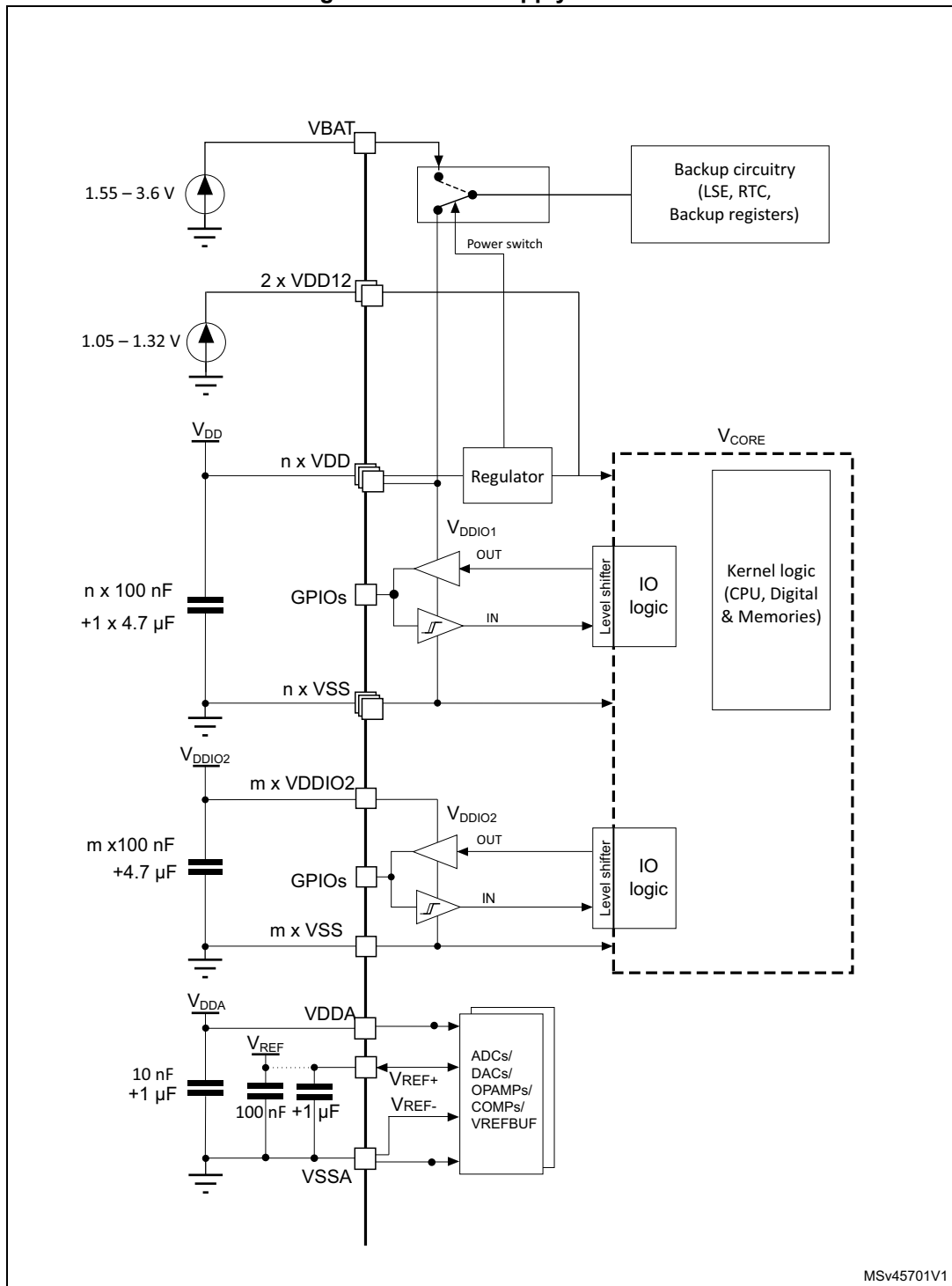
#### 6.1.5 Pin input voltage

The input voltage measurement on a pin of the device is described in [Figure 16](#).



6.1.6 Power supply scheme

Figure 17. Power supply scheme



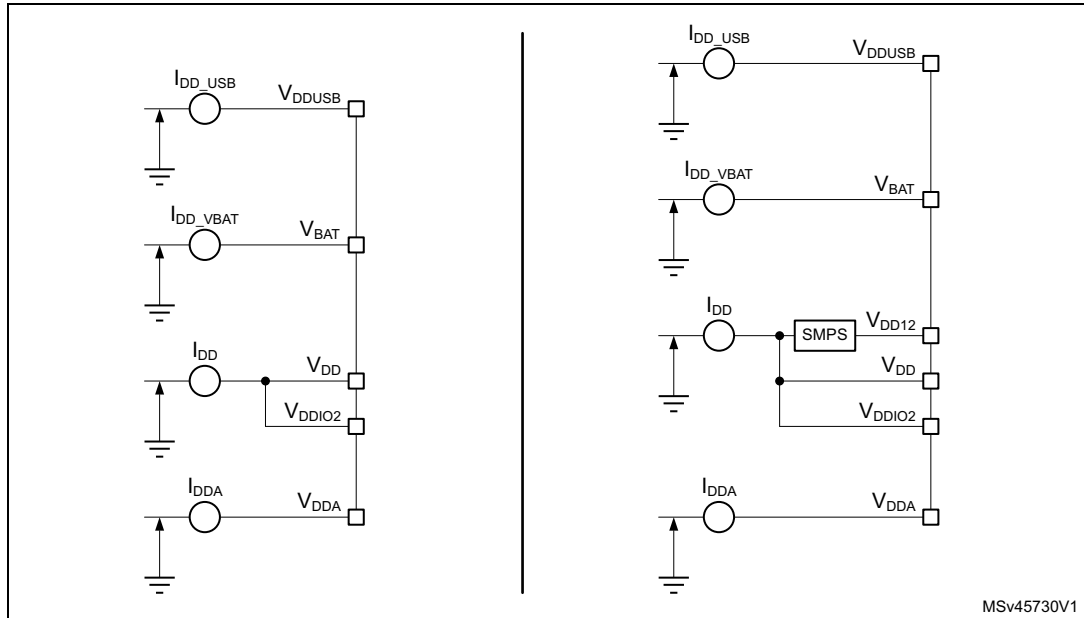
MSv45701V1

**Caution:** Each power supply pair ( $V_{DD}/V_{SS}$ ,  $V_{DDA}/V_{SSA}$  etc.) must be decoupled with filtering ceramic capacitors as shown above. These capacitors must be placed as close as possible to, or

below, the appropriate pins on the underside of the PCB to ensure the good functionality of the device.

### 6.1.7 Current consumption measurement

Figure 18. Current consumption measurement scheme with and without external SMPS power supply



MSv45730V1

## 6.2 Absolute maximum ratings

Stresses above the absolute maximum ratings listed in [Table 20: Voltage characteristics](#), [Table 21: Current characteristics](#) and [Table 22: Thermal characteristics](#) may cause permanent damage to the device. These are stress ratings only and functional operation of the device at these conditions is not implied. Exposure to maximum rating conditions for extended periods may affect device reliability. Device mission profile (application conditions) is compliant with JEDEC JESD47 qualification standard, extended mission profiles are available on demand.

Table 20. Voltage characteristics<sup>(1)</sup>

| Symbol              | Ratings  | Min          | Max   | Unit |
|---------------------|--|--------------|---|------|
| $V_{DDX} - V_{SS}$  | External main supply voltage (including $V_{DD}$ , $V_{DDA}$ , $V_{DDIO2}$ , $V_{DDUSB}$ , $V_{LCD}$ , $V_{BAT}$ ) | -0.3         | 4.0   | V    |
| $V_{DD12} - V_{SS}$ | External SMPS supply voltage   | Range 1      | 1.4   | V    |
|                     |  | Range 2      |   |      |
| $V_{IN}^{(2)}$      | Input voltage on FT_XXX pins   | $V_{SS}-0.3$ | $\min(V_{DD}, V_{DDA}, V_{DDIO2}, V_{DDUSB}, V_{LCD}) + 4.0^{(3)(4)}$ | V    |
|                     | Input voltage on TT_XX pins  | $V_{SS}-0.3$ | 4.0   |      |
|                     | Input voltage on BOOT0 pin   | $V_{SS}$     | 9.0   |      |
|                     | Input voltage on any other pins  | $V_{SS}-0.3$ | 4.0   |      |

**Table 20. Voltage characteristics<sup>(1)</sup> (continued)**

| Symbol             | Ratings  | Min | Max | Unit |
|--------------------|--|-----|-----|------|
| $ \Delta V_{DDx} $ | Variations between different $V_{DDx}$ power pins of the same domain | -   | 50  | mV   |
| $ V_{SSx}-V_{SS} $ | Variations between all the different ground pins <sup>(5)</sup>      | -   | 50  | mV   |

1. All main power ( $V_{DD}$ ,  $V_{DDA}$ ,  $V_{DDIO2}$ ,  $V_{DDUSB}$ ,  $V_{LCD}$ ,  $V_{BAT}$ ) and ground ( $V_{SS}$ ,  $V_{SSA}$ ) pins must always be connected to the external power supply, in the permitted range.
2.  $V_{IN}$  maximum must always be respected. Refer to [Table 21: Current characteristics](#) for the maximum allowed injected current values.
3. This formula has to be applied only on the power supplies related to the IO structure described in the pin definition table.
4. To sustain a voltage higher than 4 V the internal pull-up/pull-down resistors must be disabled.
5. Include VREF- pin.

**Table 21. Current characteristics**

| Symbol                  | Ratings   | Max                  | Unit |
|-------------------------|---|----------------------|------|
| $\Sigma I_{DD}$         | Total current into sum of all $V_{DD}$ power lines (source) <sup>(1)(2)</sup>   | 150                  | mA   |
| $\Sigma I_{SS}$         | Total current out of sum of all $V_{SS}$ ground lines (sink) <sup>(1)</sup>     | 150                  |      |
| $I_{DD(PIN)}$           | Maximum current into each $V_{DD}$ power pin (source) <sup>(1)(2)</sup>         | 100                  |      |
| $I_{SS(PIN)}$           | Maximum current out of each $V_{SS}$ ground pin (sink) <sup>(1)</sup>           | 100                  |      |
| $I_{IO(PIN)}$           | Output current sunk by any I/O and control pin except FT_f                      | 20                   |      |
|                         | Output current sunk by any FT_f pin   | 20                   |      |
|                         | Output current sourced by any I/O and control pin                               | 20                   |      |
| $\Sigma I_{IO(PIN)}$    | Total output current sunk by sum of all I/Os and control pins <sup>(3)</sup>    | 100                  |      |
|                         | Total output current sourced by sum of all I/Os and control pins <sup>(3)</sup> | 100                  |      |
| $I_{INJ(PIN)}^{(4)}$    | Injected current on FT_xxx, TT_xx, RST and B pins, except PA4, PA5              | -5/+0 <sup>(5)</sup> |      |
|                         | Injected current on PA4, PA5  | -5/0                 |      |
| $\Sigma  I_{INJ(PIN)} $ | Total injected current (sum of all I/Os and control pins) <sup>(6)</sup>        | 25                   |      |

1. All main power ( $V_{DD}$ ,  $V_{DDA}$ ,  $V_{DDIO2}$ ,  $V_{DDUSB}$ ,  $V_{LCD}$ ,  $V_{BAT}$ ) and ground ( $V_{SS}$ ,  $V_{SSA}$ ) pins must always be connected to the external power supplies, in the permitted range.
2. Valid also for  $V_{DD12}$  on SMPS packages.
3. This current consumption must be correctly distributed over all I/Os and control pins. The total output current must not be sunk/sourced between two consecutive power supply pins referring to high pin count QFP packages.
4. Positive injection (when  $V_{IN} > V_{DDIOx}$ ) is not possible on these I/Os and does not occur for input voltages lower than the specified maximum value.
5. A negative injection is induced by  $V_{IN} < V_{SS}$ .  $I_{INJ(PIN)}$  must never be exceeded. Refer also to [Table 20: Voltage characteristics](#) for the minimum allowed input voltage values.
6. When several inputs are submitted to a current injection, the maximum  $\Sigma |I_{INJ(PIN)}|$  is the absolute sum of the negative injected currents (instantaneous values).



Table 22. Thermal characteristics

| Symbol    | Ratings                      | Value       | Unit |
|-----------|------------------------------|-------------|------|
| $T_{STG}$ | Storage temperature range    | -65 to +150 | °C   |
| $T_J$     | Maximum junction temperature | 150         | °C   |

### 6.3 Operating conditions

#### 6.3.1 General operating conditions

Table 23. General operating conditions

| Symbol             | Parameter   | Conditions                              | Min         | Max   | Unit |    |
|--------------------|---|---|-------------|---|------|----|
| f <sub>HCLK</sub>  | Internal AHB clock frequency  | -                                       | 0           | 80  | MHz  |    |
| f <sub>PCLK1</sub> | Internal APB1 clock frequency   | -                                       | 0           | 80  |      |    |
| f <sub>PCLK2</sub> | Internal APB2 clock frequency   | -                                       | 0           | 80  |      |    |
| V <sub>DD</sub>    | Standard operating voltage  | -                                       | 1.71<br>(1) | 3.6   | V    |    |
| V <sub>DD12</sub>  | Standard operating voltage  | Full frequency range                    | 1.08        | 1.32  | V    |    |
|                    |   | Up to 26 MHz                            | 1.05        |   |      |    |
| V <sub>DDIO2</sub> | PG[15:2] I/Os supply voltage  | At least one I/O in PG[15:2] used       | 1.08        | 3.6   | V    |    |
|                    |   | PG[15:2] not used                       | 0           | 3.6   |      |    |
| V <sub>DDA</sub>   | Analog supply voltage   | ADC or COMP used                        | 1.62        | 3.6   | V    |    |
|                    |   | DAC or OPAMP used                       | 1.8         |   |      |    |
|                    |   | VREFBUF used                            | 2.4         |   |      |    |
|                    |   | ADC, DAC, OPAMP, COMP, VREFBUF not used | 0           |   |      |    |
| V <sub>BAT</sub>   | Backup operating voltage  | -                                       | 1.55        | 3.6   | V    |    |
| V <sub>DDUSB</sub> | USB supply voltage  | USB used                                | 3.0         | 3.6   | V    |    |
|                    |   | USB not used                            | 0           | 3.6   |      |    |
| V <sub>IN</sub>    | I/O input voltage   | TT_xx I/O                               | -0.3        | V <sub>DDIOx</sub> +0.3   | V    |    |
|                    |   | BOOT0                                   | 0           | 9   |      |    |
|                    |   | All I/O except BOOT0 and TT_xx          | -0.3        | Min(Min(V <sub>DD</sub> , V <sub>DDA</sub> , V <sub>DDIO2</sub> , V <sub>DDUSB</sub> , V <sub>LCD</sub> )+3.6 V, 5.5 V) <sup>(2)(3)</sup> |      |    |
| P <sub>D</sub>     | Power dissipation at T <sub>A</sub> = 85 °C for suffix 6 or T <sub>A</sub> = 105 °C for suffix 7 <sup>(4)</sup> | LQFP144                                 | -           | -   | 625  | mW |
|                    |   | LQFP100                                 | -           | -   | 476  |    |
|                    |   | LQFP64                                  | -           | -   | 444  |    |
|                    |   | UFBGA132                                | -           | -   | 363  |    |
|                    |   | WLCSP72                                 | -           | -   | 434  |    |
| P <sub>D</sub>     | Power dissipation at T <sub>A</sub> = 125 °C for suffix 3 <sup>(4)</sup>  | LQFP144                                 | -           | -   | 156  | mW |
|                    |   | LQFP100                                 | -           | -   | 119  |    |
|                    |   | LQFP64                                  | -           | -   | 111  |    |
|                    |   | UFBGA132                                | -           | -   | 90   |    |
|                    |   | WLCSP72                                 | -           | -   | 108  |    |





**Table 23. General operating conditions (continued)**

| Symbol         | Parameter                                    | Conditions                           | Min | Max | Unit |
|----------------|--|--------------------------------------|-----|-----|------|
| T <sub>A</sub> | Ambient temperature for the suffix 6 version | Maximum power dissipation            | -40 | 85  | °C   |
|                |  | Low-power dissipation <sup>(5)</sup> | -40 | 105 |      |
|                | Ambient temperature for the suffix 7 version | Maximum power dissipation            | -40 | 105 |      |
|                |  | Low-power dissipation <sup>(5)</sup> | -40 | 125 |      |
|                | Ambient temperature for the suffix 3 version | Maximum power dissipation            | -40 | 125 |      |
|                |  | Low-power dissipation <sup>(5)</sup> | -40 | 130 |      |
| T <sub>J</sub> | Junction temperature range                   | Suffix 6 version                     | -40 | 105 | °C   |
|                |  | Suffix 7 version                     | -40 | 125 |      |
|                |  | Suffix 3 version                     | -40 | 130 |      |

- When RESET is released functionality is guaranteed down to V<sub>BOR0</sub> Min.
- This formula has to be applied only on the power supplies related to the IO structure described by the pin definition table. Maximum I/O input voltage is the smallest value between Min(V<sub>DD</sub>, V<sub>DDA</sub>, V<sub>DDIO2</sub>, V<sub>DDUSB</sub>, V<sub>LCD</sub>)+3.6 V and 5.5V.
- For operation with voltage higher than Min (V<sub>DD</sub>, V<sub>DDA</sub>, V<sub>DDIO2</sub>, V<sub>DDUSB</sub>, V<sub>LCD</sub>) +0.3 V, the internal Pull-up and Pull-Down resistors must be disabled.
- If T<sub>A</sub> is lower, higher P<sub>D</sub> values are allowed as long as T<sub>J</sub> does not exceed T<sub>Jmax</sub> (see [Section 7.6: Thermal characteristics](#)).
- In low-power dissipation state, T<sub>A</sub> can be extended to this range as long as T<sub>J</sub> does not exceed T<sub>Jmax</sub> (see [Section 7.6: Thermal characteristics](#)).

### 6.3.2 Operating conditions at power-up / power-down

The parameters given in [Table 24](#) are derived from tests performed under the ambient temperature condition summarized in [Table 23](#).

**Table 24. Operating conditions at power-up / power-down<sup>(1)</sup>**

| Symbol              | Parameter                         | Conditions | Min | Max | Unit |
|---------------------|-----------------------------------|------------|-----|-----|------|
| t <sub>VDD</sub>    | V <sub>DD</sub> rise time rate    | -          | 0   | ∞   | μs/V |
|                     | V <sub>DD</sub> fall time rate    |            | 10  | ∞   |      |
| t <sub>VDDA</sub>   | V <sub>DDA</sub> rise time rate   | -          | 0   | ∞   | μs/V |
|                     | V <sub>DDA</sub> fall time rate   |            | 10  | ∞   |      |
| t <sub>VDDUSB</sub> | V <sub>DDUSB</sub> rise time rate | -          | 0   | ∞   | μs/V |
|                     | V <sub>DDUSB</sub> fall time rate |            | 10  | ∞   |      |
| t <sub>VDDIO2</sub> | V <sub>DDIO2</sub> rise time rate | -          | 0   | ∞   | μs/V |
|                     | V <sub>DDIO2</sub> fall time rate |            | 10  | ∞   |      |

- At power-up, the V<sub>DD12</sub> voltage should not be forced externally.

The requirements for power-up/down sequence specified in [Section 3.9.1: Power supply schemes](#) must be respected.

### 6.3.3 Embedded reset and power control block characteristics

The parameters given in [Table 25](#) are derived from tests performed under the ambient temperature conditions summarized in [Table 23: General operating conditions](#).

**Table 25. Embedded reset and power control block characteristics**

| Symbol               | Parameter   | Conditions <sup>(1)</sup>     | Min  | Typ  | Max  | Unit |
|----------------------|---|-------------------------------|------|------|------|------|
| $t_{RSTTEMPO}^{(2)}$ | Reset temporization after BOR0 is detected        | V <sub>DD</sub> rising        | -    | 250  | 400  | μs   |
| $V_{BOR0}^{(2)}$     | Brown-out reset threshold 0                       | Rising edge                   | 1.62 | 1.66 | 1.7  | V    |
|                      |   | Falling edge                  | 1.6  | 1.64 | 1.69 |      |
| $V_{BOR1}$           | Brown-out reset threshold 1                       | Rising edge                   | 2.06 | 2.1  | 2.14 | V    |
|                      |   | Falling edge                  | 1.96 | 2    | 2.04 |      |
| $V_{BOR2}$           | Brown-out reset threshold 2                       | Rising edge                   | 2.26 | 2.31 | 2.35 | V    |
|                      |   | Falling edge                  | 2.16 | 2.20 | 2.24 |      |
| $V_{BOR3}$           | Brown-out reset threshold 3                       | Rising edge                   | 2.56 | 2.61 | 2.66 | V    |
|                      |   | Falling edge                  | 2.47 | 2.52 | 2.57 |      |
| $V_{BOR4}$           | Brown-out reset threshold 4                       | Rising edge                   | 2.85 | 2.90 | 2.95 | V    |
|                      |   | Falling edge                  | 2.76 | 2.81 | 2.86 |      |
| $V_{PVD0}$           | Programmable voltage detector threshold 0         | Rising edge                   | 2.1  | 2.15 | 2.19 | V    |
|                      |   | Falling edge                  | 2    | 2.05 | 2.1  |      |
| $V_{PVD1}$           | PVD threshold 1                                   | Rising edge                   | 2.26 | 2.31 | 2.36 | V    |
|                      |   | Falling edge                  | 2.15 | 2.20 | 2.25 |      |
| $V_{PVD2}$           | PVD threshold 2                                   | Rising edge                   | 2.41 | 2.46 | 2.51 | V    |
|                      |   | Falling edge                  | 2.31 | 2.36 | 2.41 |      |
| $V_{PVD3}$           | PVD threshold 3                                   | Rising edge                   | 2.56 | 2.61 | 2.66 | V    |
|                      |   | Falling edge                  | 2.47 | 2.52 | 2.57 |      |
| $V_{PVD4}$           | PVD threshold 4                                   | Rising edge                   | 2.69 | 2.74 | 2.79 | V    |
|                      |   | Falling edge                  | 2.59 | 2.64 | 2.69 |      |
| $V_{PVD5}$           | PVD threshold 5                                   | Rising edge                   | 2.85 | 2.91 | 2.96 | V    |
|                      |   | Falling edge                  | 2.75 | 2.81 | 2.86 |      |
| $V_{PVD6}$           | PVD threshold 6                                   | Rising edge                   | 2.92 | 2.98 | 3.04 | V    |
|                      |   | Falling edge                  | 2.84 | 2.90 | 2.96 |      |
| $V_{hyst\_BORH0}$    | Hysteresis voltage of BORH0                       | Hysteresis in continuous mode | -    | 20   | -    | mV   |
|                      |   | Hysteresis in other mode      | -    | 30   | -    |      |
| $V_{hyst\_BOR\_PVD}$ | Hysteresis voltage of BORH (except BORH0) and PVD | -                             | -    | 100  | -    | mV   |

Table 25. Embedded reset and power control block characteristics (continued)

| Symbol                               | Parameter  | Conditions <sup>(1)</sup> | Min  | Typ  | Max  | Unit          |
|--------------------------------------|--|---------------------------|------|------|------|---------------|
| $I_{DD}$<br>(BOR_PVD) <sup>(2)</sup> | BOR <sup>(3)</sup> (except BOR0) and PVD consumption from $V_{DD}$ | -                         | -    | 1.1  | 1.6  | $\mu\text{A}$ |
| $V_{PVM1}$                           | $V_{DDUSB}$ peripheral voltage monitoring                          | -                         | 1.18 | 1.22 | 1.26 | V             |
| $V_{PVM2}$                           | $V_{DDIO2}$ peripheral voltage monitoring                          | -                         | 0.92 | 0.96 | 1    | V             |
| $V_{PVM3}$                           | $V_{DDA}$ peripheral voltage monitoring                            | Rising edge               | 1.61 | 1.65 | 1.69 | V             |
|                                      |  | Falling edge              | 1.6  | 1.64 | 1.68 |               |
| $V_{PVM4}$                           | $V_{DDA}$ peripheral voltage monitoring                            | Rising edge               | 1.78 | 1.82 | 1.86 | V             |
|                                      |  | Falling edge              | 1.77 | 1.81 | 1.85 |               |
| $V_{hyst\_PVM3}$                     | PVM3 hysteresis  | -                         | -    | 10   | -    | mV            |
| $V_{hyst\_PVM4}$                     | PVM4 hysteresis  | -                         | -    | 10   | -    | mV            |
| $I_{DD}$<br>(PVM1/PVM2)<br>(2)       | PVM1 and PVM2 consumption from $V_{DD}$                            | -                         | -    | 0.2  | -    | $\mu\text{A}$ |
| $I_{DD}$<br>(PVM3/PVM4)<br>(2)       | PVM3 and PVM4 consumption from $V_{DD}$                            | -                         | -    | 2    | -    | $\mu\text{A}$ |

1. Continuous mode means Run/Sleep modes, or temperature sensor enable in Low-power run/Low-power sleep modes.
2. Guaranteed by design.
3. BOR0 is enabled in all modes (except shutdown) and its consumption is therefore included in the supply current characteristics tables.

### 6.3.4 Embedded voltage reference

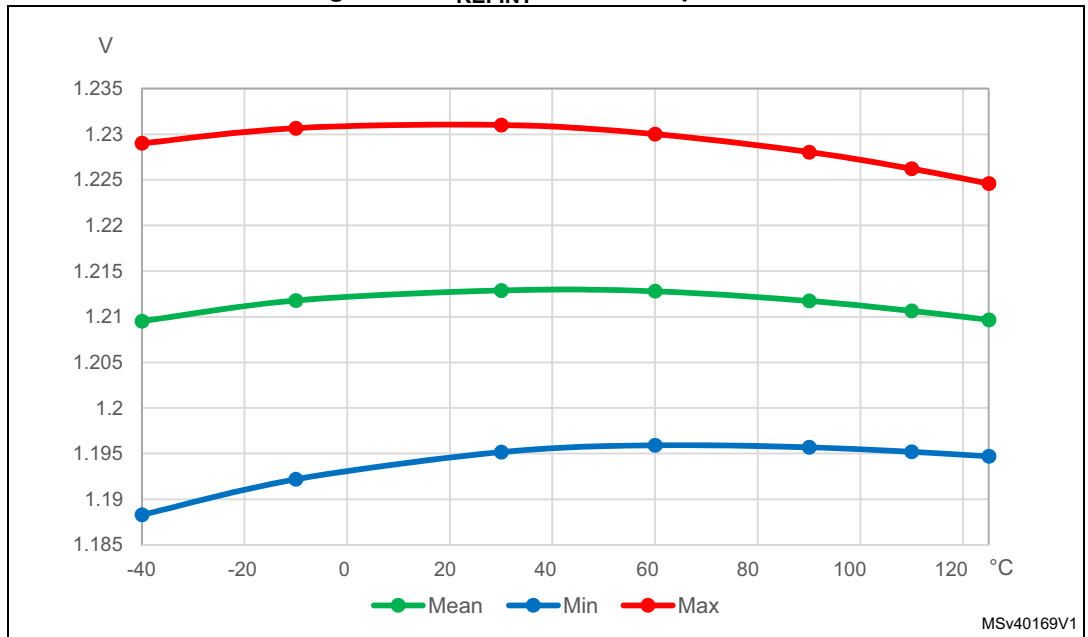
The parameters given in [Table 26](#) are derived from tests performed under the ambient temperature and supply voltage conditions summarized in [Table 23: General operating conditions](#).

**Table 26. Embedded internal voltage reference**

| Symbol                  | Parameter   | Conditions   | Min              | Typ   | Max                 | Unit                    |
|-------------------------|---|--|------------------|-------|---------------------|-------------------------|
| $V_{REFINT}$            | Internal reference voltage  | $-40\text{ }^{\circ}\text{C} < T_A < +130\text{ }^{\circ}\text{C}$ | 1.182            | 1.212 | 1.232               | V                       |
| $t_{S\_vrefint}^{(1)}$  | ADC sampling time when reading the internal reference voltage       | -  | 4 <sup>(2)</sup> | -     | -                   | $\mu\text{s}$           |
| $t_{start\_vrefint}$    | Start time of reference voltage buffer when ADC is enable           | -  | -                | 8     | 12 <sup>(2)</sup>   | $\mu\text{s}$           |
| $I_{DD}(V_{REFINTBUF})$ | $V_{REFINT}$ buffer consumption from $V_{DD}$ when converted by ADC | -  | -                | 12.5  | 20 <sup>(2)</sup>   | $\mu\text{A}$           |
| $\Delta V_{REFINT}$     | Internal reference voltage spread over the temperature range        | $V_{DD} = 3\text{ V}$  | -                | 5     | 7.5 <sup>(2)</sup>  | mV                      |
| $T_{Coeff}$             | Average temperature coefficient                                     | $-40\text{ }^{\circ}\text{C} < T_A < +130\text{ }^{\circ}\text{C}$ | -                | 30    | 50 <sup>(2)</sup>   | ppm/ $^{\circ}\text{C}$ |
| $A_{Coeff}$             | Long term stability   | 1000 hours, $T = 25\text{ }^{\circ}\text{C}$                       | -                | 300   | 1000 <sup>(2)</sup> | ppm                     |
| $V_{DDCoeff}$           | Average voltage coefficient   | $3.0\text{ V} < V_{DD} < 3.6\text{ V}$                             | -                | 250   | 1200 <sup>(2)</sup> | ppm/V                   |
| $V_{REFINT\_DIV1}$      | 1/4 reference voltage   | -  | 24               | 25    | 26                  | %<br>$V_{REFINT}$       |
| $V_{REFINT\_DIV2}$      | 1/2 reference voltage   |  | 49               | 50    | 51                  |                         |
| $V_{REFINT\_DIV3}$      | 3/4 reference voltage   |  | 74               | 75    | 76                  |                         |

1. The shortest sampling time can be determined in the application by multiple iterations.
2. Guaranteed by design.

Figure 19.  $V_{REFINT}$  versus temperature



### 6.3.5 Supply current characteristics

The current consumption is a function of several parameters and factors such as the operating voltage, ambient temperature, I/O pin loading, device software configuration, operating frequencies, I/O pin switching rate, program location in memory and executed binary code.

The current consumption is measured as described in [Figure 18: Current consumption measurement scheme with and without external SMPS power supply](#).

The  $I_{DD\_ALL}$  parameters given in [Table 27](#) to [Table 49](#) represent the total MCU consumption including the current supplying  $V_{DD}$ ,  $V_{DD12}$ ,  $V_{DDIO2}$ ,  $V_{DDA}$ ,  $V_{LCD}$ ,  $V_{DDUSB}$  and  $V_{BAT}$ .

#### Typical and maximum current consumption

The MCU is placed under the following conditions:

- All I/O pins are in analog input mode
- All peripherals are disabled except when explicitly mentioned
- The Flash memory access time is adjusted with the minimum wait states number, depending on the  $f_{HCLK}$  frequency (refer to the table “Number of wait states according to CPU clock (HCLK) frequency” available in the RM0351 reference manual).
- When the peripherals are enabled  $f_{PCLK} = f_{HCLK}$

The parameters given in [Table 27](#) to [Table 50](#) are derived from tests performed under ambient temperature and supply voltage conditions summarized in [Table 23: General operating conditions](#).

**Table 27. Current consumption in Run and Low-power run modes, code with data processing running from Flash, ART enable (Cache ON Prefetch OFF)**

| Symbol                      | Parameter                            | Conditions   |                 |                   | TYP   |       |       |        |        | MAX <sup>(1)</sup> |       |       |        |        | Unit |
|-----------------------------|--------------------------------------|--|-----------------|-------------------|-------|-------|-------|--------|--------|--------------------|-------|-------|--------|--------|------|
|                             |                                      | -  | Voltage scaling | f <sub>HCLK</sub> | 25 °C | 55 °C | 85 °C | 105 °C | 125 °C | 25 °C              | 55 °C | 85 °C | 105 °C | 125 °C |      |
| I <sub>DD_ALL</sub> (Run)   | Supply current in Run mode           | f <sub>HCLK</sub> = f <sub>HSE</sub> up to 48MHz included, bypass mode PLL ON above 48 MHz all peripherals disable | Range 2         | 26 MHz            | 2.88  | 2.93  | 3.05  | 3.23   | 3.58   | 3.20               | 3.37  | 3.51  | 3.93   | 4.76   | mA   |
|                             |                                      |  |                 | 16 MHz            | 1.83  | 1.87  | 1.98  | 2.16   | 2.49   | 2.01               | 2.16  | 2.30  | 2.72   | 3.34   |      |
|                             |                                      |  |                 | 8 MHz             | 0.98  | 1.02  | 1.12  | 1.29   | 1.62   | 1.10               | 1.17  | 1.31  | 1.73   | 2.56   |      |
|                             |                                      |  |                 | 4 MHz             | 0.55  | 0.59  | 0.69  | 0.85   | 1.18   | 0.61               | 0.70  | 0.89  | 1.24   | 1.95   |      |
|                             |                                      |  |                 | 2 MHz             | 0.34  | 0.37  | 0.47  | 0.64   | 0.96   | 0.37               | 0.46  | 0.64  | 0.98   | 1.71   |      |
|                             |                                      |  |                 | 1 MHz             | 0.23  | 0.26  | 0.36  | 0.53   | 0.85   | 0.27               | 0.33  | 0.50  | 0.86   | 1.57   |      |
|                             |                                      |  |                 | 100 kHz           | 0.14  | 0.17  | 0.27  | 0.43   | 0.75   | 0.17               | 0.21  | 0.38  | 0.74   | 1.44   |      |
|                             |                                      |  | Range 1         | 80 MHz            | 10.2  | 10.3  | 10.5  | 10.7   | 11.1   | 11.22              | 11.8  | 12.1  | 12.5   | 13.3   |      |
|                             |                                      |  |                 | 72 MHz            | 9.24  | 9.31  | 9.47  | 9.69   | 10.1   | 10.16              | 10.7  | 11.0  | 11.4   | 12.2   |      |
|                             |                                      |  |                 | 64 MHz            | 8.25  | 8.32  | 8.46  | 8.68   | 9.09   | 9.08               | 9.6   | 9.9   | 10.3   | 11.1   |      |
|                             |                                      |  |                 | 48 MHz            | 6.28  | 6.35  | 6.5   | 6.72   | 7.11   | 6.91               | 7.3   | 7.6   | 8.0    | 8.8    |      |
|                             |                                      |  |                 | 32 MHz            | 4.24  | 4.30  | 4.44  | 4.65   | 5.04   | 4.66               | 4.97  | 5.26  | 5.67   | 6.51   |      |
|                             |                                      |  |                 | 24 MHz            | 3.21  | 3.27  | 3.4   | 3.61   | 3.98   | 3.53               | 3.76  | 4.05  | 4.46   | 5.30   |      |
|                             |                                      |  |                 | 16 MHz            | 2.19  | 2.24  | 2.36  | 2.56   | 2.94   | 2.41               | 2.66  | 2.95  | 3.16   | 3.99   |      |
| I <sub>DD_ALL</sub> (LPRun) | Supply current in Low-power run mode | f <sub>HCLK</sub> = f <sub>MSI</sub><br>all peripherals disable  | 2 MHz           | 272               | 303   | 413   | 592   | 958    | 330    | 393                | 579   | 954   | 1704   | μA     |      |
|                             |                                      |  | 1 MHz           | 154               | 184   | 293   | 473   | 835    | 195    | 265                | 457   | 822   | 1572   |        |      |
|                             |                                      |  | 400 kHz         | 78                | 108   | 217   | 396   | 758    | 110    | 180                | 380   | 755   | 1505   |        |      |
|                             |                                      |  | 100 kHz         | 42                | 73    | 182   | 360   | 723    | 75     | 138                | 331   | 706   | 1456   |        |      |

1. Guaranteed by characterization results, unless otherwise specified.



**Table 28. Current consumption in Run modes, code with data processing running from Flash, ART enable (Cache ON Prefetch OFF) and power supplied by external SMPS (V<sub>DD12</sub> = 1.10 V)**

| Symbol                    | Parameter                  | Conditions <sup>(1)</sup>   |                   | TYP   |       |       |        |        | Unit |
|---------------------------|----------------------------|---|-------------------|-------|-------|-------|--------|--------|------|
|                           |                            | -   | f <sub>HCLK</sub> | 25 °C | 55 °C | 85 °C | 105 °C | 125 °C |      |
| I <sub>DD_ALL</sub> (Run) | Supply current in Run mode | f <sub>HCLK</sub> = f <sub>HSE</sub> up to 48MHz included, bypass mode<br>PLL ON above 48 MHz all peripherals disable | 80 MHz            | 3.67  | 3.70  | 3.77  | 3.85   | 3.99   | mA   |
|                           |                            |   | 72 MHz            | 3.32  | 3.35  | 3.40  | 3.48   | 3.63   |      |
|                           |                            |   | 64 MHz            | 2.97  | 2.99  | 3.04  | 3.12   | 3.27   |      |
|                           |                            |   | 48 MHz            | 2.26  | 2.28  | 2.34  | 2.42   | 2.56   |      |
|                           |                            |   | 32 MHz            | 1.52  | 1.55  | 1.60  | 1.67   | 1.81   |      |
|                           |                            |   | 24 MHz            | 1.15  | 1.18  | 1.22  | 1.30   | 1.43   |      |
|                           |                            |   | 16 MHz            | 0.79  | 0.81  | 0.85  | 0.92   | 1.06   |      |
|                           |                            |   | 8 MHz             | 0.42  | 0.44  | 0.48  | 0.56   | 0.70   |      |
|                           |                            |   | 4 MHz             | 0.24  | 0.25  | 0.30  | 0.37   | 0.51   |      |
|                           |                            |   | 2 MHz             | 0.15  | 0.16  | 0.20  | 0.28   | 0.41   |      |
|                           |                            |   | 1 MHz             | 0.10  | 0.11  | 0.16  | 0.23   | 0.37   |      |
| 100 kHz                   | 0.06                       | 0.07  | 0.12              | 0.19  | 0.32  |       |        |        |      |

1. All values are obtained by calculation based on measurements done without SMPS and using following parameters: SMPS input = 3.3 V, SMPS efficiency = 85%, V<sub>DD12</sub> = 1.10 V



**Table 29. Current consumption in Run and Low-power run modes, code with data processing running from Flash, ART disable**

| Symbol                      | Parameter                       | Conditions   |                 |                   | TYP   |       |       |        |        | MAX <sup>(1)</sup> |       |       |        |        | Unit |  |
|-----------------------------|---------------------------------|--|-----------------|-------------------|-------|-------|-------|--------|--------|--------------------|-------|-------|--------|--------|------|--|
|                             |                                 | -  | Voltage scaling | f <sub>HCLK</sub> | 25 °C | 55 °C | 85 °C | 105 °C | 125 °C | 25 °C              | 55 °C | 85 °C | 105 °C | 125 °C |      |  |
| I <sub>DD_ALL</sub> (Run)   | Supply current in Run mode      | f <sub>HCLK</sub> = f <sub>HSE</sub> up to 48MHz included, bypass mode PLL ON above 48 MHz all peripherals disable | Range 2         | 26 MHz            | 3.15  | 3.19  | 3.31  | 3.50   | 3.85   | 3.47               | 3.70  | 3.84  | 4.26   | 4.88   | mA   |  |
|                             |                                 |  |                 | 16 MHz            | 2.24  | 2.28  | 2.39  | 2.57   | 2.90   | 2.46               | 2.60  | 2.74  | 3.16   | 3.78   |      |  |
|                             |                                 |  |                 | 8 MHz             | 1.26  | 1.29  | 1.40  | 1.57   | 1.89   | 1.40               | 1.50  | 1.64  | 2.06   | 2.68   |      |  |
|                             |                                 |  |                 | 4 MHz             | 0.71  | 0.75  | 0.85  | 1.02   | 1.34   | 0.79               | 0.88  | 1.06  | 1.38   | 2.21   |      |  |
|                             |                                 |  |                 | 2 MHz             | 0.42  | 0.45  | 0.55  | 0.72   | 1.04   | 0.46               | 0.55  | 0.73  | 1.09   | 1.88   |      |  |
|                             |                                 |  |                 | 1 MHz             | 0.27  | 0.30  | 0.40  | 0.57   | 0.89   | 0.30               | 0.38  | 0.57  | 0.90   | 1.61   |      |  |
|                             |                                 |  | Range 1         | 100 kHz           | 0.14  | 0.17  | 0.27  | 0.43   | 0.75   | 0.17               | 0.22  | 0.40  | 0.74   | 1.44   |      |  |
|                             |                                 |  |                 | 80 MHz            | 10.0  | 10.1  | 10.3  | 10.6   | 11.0   | 11.00              | 11.35 | 11.64 | 12.26  | 13.10  |      |  |
|                             |                                 |  |                 | 72 MHz            | 9.06  | 9.13  | 9.28  | 9.51   | 9.92   | 9.97               | 10.36 | 10.65 | 11.06  | 11.69  |      |  |
|                             |                                 |  |                 | 64 MHz            | 8.96  | 9.04  | 9.22  | 9.48   | 9.92   | 9.86               | 10.25 | 10.54 | 10.95  | 11.79  |      |  |
|                             |                                 |  |                 | 48 MHz            | 7.64  | 7.72  | 7.91  | 8.17   | 8.62   | 8.40               | 8.76  | 8.90  | 9.52   | 10.36  |      |  |
|                             |                                 |  |                 | 32 MHz            | 5.49  | 5.57  | 5.74  | 5.98   | 6.40   | 6.04               | 6.40  | 6.69  | 7.10   | 7.94   |      |  |
|                             |                                 |  |                 | 24 MHz            | 4.16  | 4.22  | 4.36  | 4.57   | 4.96   | 4.60               | 4.86  | 5.15  | 5.56   | 6.19   |      |  |
|                             |                                 |  |                 | 16 MHz            | 2.93  | 2.99  | 3.13  | 3.35   | 3.75   | 3.22               | 3.43  | 3.72  | 4.13   | 4.97   |      |  |
| I <sub>DD_ALL</sub> (LPRun) | Supply current in Low-power run | f <sub>HCLK</sub> = f <sub>MSI</sub><br>all peripherals disable  | 2 MHz           | 358               | 392   | 503   | 683   | 1050   | 435    | 501                | 694   | 1069  | 1819   | μA     |      |  |
|                             |                                 |  | 1 MHz           | 197               | 230   | 340   | 519   | 880    | 245    | 312                | 512   | 887   | 1637   |        |      |  |
|                             |                                 |  | 400 kHz         | 97                | 126   | 235   | 414   | 778    | 130    | 202                | 402   | 777   | 1527   |        |      |  |
|                             |                                 |  | 100 kHz         | 47                | 77    | 186   | 365   | 726    | 85     | 147                | 347   | 711   | 1472   |        |      |  |

1. Guaranteed by characterization results, unless otherwise specified.



**Table 30. Current consumption in Run modes, code with data processing running from Flash,  
ART disable and power supplied by external SMPS ( $V_{DD12} = 1.10\text{ V}$ )**

| Symbol                    | Parameter                  | Conditions <sup>(1)</sup>   |            | TYP   |       |       |        |        | Unit |
|---------------------------|----------------------------|---|------------|-------|-------|-------|--------|--------|------|
|                           |                            | -   | $f_{HCLK}$ | 25 °C | 55 °C | 85 °C | 105 °C | 125 °C |      |
| $I_{DD\_ALL}(\text{Run})$ | Supply current in Run mode | $f_{HCLK} = f_{HSE}$ up to 48MHz included, bypass mode<br>PLL ON above 48 MHz all peripherals disable | 80 MHz     | 3.59  | 3.63  | 3.70  | 3.81   | 3.95   | mA   |
|                           |                            |   | 72 MHz     | 3.26  | 3.28  | 3.34  | 3.42   | 3.57   |      |
|                           |                            |   | 64 MHz     | 3.22  | 3.25  | 3.31  | 3.41   | 3.57   |      |
|                           |                            |   | 48 MHz     | 2.75  | 2.78  | 2.84  | 2.94   | 3.10   |      |
|                           |                            |   | 32 MHz     | 1.97  | 2.00  | 2.06  | 2.15   | 2.30   |      |
|                           |                            |   | 24 MHz     | 1.50  | 1.52  | 1.57  | 1.64   | 1.78   |      |
|                           |                            |   | 16 MHz     | 1.05  | 1.07  | 1.13  | 1.20   | 1.35   |      |
|                           |                            |   | 8 MHz      | 0.54  | 0.56  | 0.60  | 0.68   | 0.82   |      |
|                           |                            |   | 4 MHz      | 0.31  | 0.32  | 0.37  | 0.44   | 0.58   |      |
|                           |                            |   | 2 MHz      | 0.18  | 0.19  | 0.24  | 0.31   | 0.45   |      |
|                           |                            |   | 1 MHz      | 0.12  | 0.13  | 0.17  | 0.25   | 0.38   |      |
| 100 kHz                   | 0.06                       | 0.07  | 0.12       | 0.19  | 0.32  |       |        |        |      |

1. All values are obtained by calculation based on measurements done without SMPS and using following parameters: SMPS input = 3.3 V, SMPS efficiency = 85%,  $V_{DD12} = 1.10\text{ V}$

**Table 31. Current consumption in Run and Low-power run modes, code with data processing running from SRAM1**

| Symbol                      | Parameter                            | Conditions   |                 |                   | TYP   |       |       |        |        | MAX <sup>(1)</sup> |       |       |        |        | Unit |
|-----------------------------|--------------------------------------|--|-----------------|-------------------|-------|-------|-------|--------|--------|--------------------|-------|-------|--------|--------|------|
|                             |                                      | -  | Voltage scaling | f <sub>HCLK</sub> | 25 °C | 55 °C | 85 °C | 105 °C | 125 °C | 25 °C              | 55 °C | 85 °C | 105 °C | 125 °C |      |
| I <sub>DD_ALL</sub> (Run)   | Supply current in Run mode           | f <sub>HCLK</sub> = f <sub>HSE</sub> up to 48MHz included, bypass mode PLL ON above 48 MHz all peripherals disable | Range 2         | 26 MHz            | 2.88  | 2.94  | 3.05  | 3.23   | 3.58   | 3.18               | 3.26  | 3.40  | 4.02   | 4.65   | mA   |
|                             |                                      |  |                 | 16 MHz            | 1.83  | 1.87  | 1.98  | 2.15   | 2.50   | 2.01               | 2.16  | 2.30  | 2.72   | 3.34   |      |
|                             |                                      |  |                 | 8 MHz             | 0.97  | 1.00  | 1.11  | 1.27   | 1.62   | 1.07               | 1.16  | 1.32  | 1.73   | 2.36   |      |
|                             |                                      |  |                 | 4 MHz             | 0.54  | 0.57  | 0.67  | 0.84   | 1.18   | 0.59               | 0.69  | 0.88  | 1.23   | 1.96   |      |
|                             |                                      |  |                 | 2 MHz             | 0.33  | 0.36  | 0.46  | 0.62   | 0.96   | 0.37               | 0.45  | 0.63  | 0.98   | 1.70   |      |
|                             |                                      |  |                 | 1 MHz             | 0.22  | 0.25  | 0.35  | 0.51   | 0.85   | 0.25               | 0.33  | 0.50  | 0.86   | 1.57   |      |
|                             |                                      |  |                 | 100 kHz           | 0.12  | 0.15  | 0.25  | 0.41   | 0.75   | 0.15               | 0.21  | 0.39  | 0.74   | 1.45   |      |
|                             |                                      |  | Range 1         | 80 MHz            | 10.2  | 10.3  | 10.5  | 10.7   | 11.1   | 11.22              | 11.57 | 11.86 | 12.07  | 13.11  |      |
|                             |                                      |  |                 | 72 MHz            | 9.25  | 9.31  | 9.46  | 9.68   | 10.1   | 10.18              | 10.41 | 10.55 | 10.76  | 11.80  |      |
|                             |                                      |  |                 | 64 MHz            | 8.25  | 8.31  | 8.46  | 8.67   | 9.08   | 9.08               | 9.37  | 9.66  | 9.87   | 10.91  |      |
|                             |                                      |  |                 | 48 MHz            | 6.26  | 6.33  | 6.48  | 6.69   | 7.11   | 6.89               | 7.11  | 7.25  | 7.67   | 8.50   |      |
|                             |                                      |  |                 | 32 MHz            | 4.22  | 4.28  | 4.42  | 4.63   | 5.03   | 4.64               | 4.86  | 5.15  | 5.56   | 6.19   |      |
|                             |                                      |  |                 | 24 MHz            | 3.20  | 3.25  | 3.38  | 3.59   | 3.99   | 3.52               | 3.70  | 3.84  | 4.26   | 5.09   |      |
|                             |                                      |  |                 | 16 MHz            | 2.18  | 2.22  | 2.35  | 2.55   | 2.94   | 2.40               | 2.55  | 2.84  | 3.25   | 4.09   |      |
| I <sub>DD_ALL</sub> (LPRun) | Supply current in low-power run mode | f <sub>HCLK</sub> = f <sub>MSI</sub><br>all peripherals disable<br>FLASH in power-down                             | 2 MHz           | 242               | 275   | 384   | 562   | 924    | 300    | 380                | 573   | 927   | 1677   | µA     |      |
|                             |                                      |  | 1 MHz           | 130               | 162   | 269   | 445   | 809    | 180    | 243                | 435   | 810   | 1560   |        |      |
|                             |                                      |  | 400 kHz         | 61                | 90    | 197   | 374   | 734    | 95     | 160                | 353   | 728   | 1478   |        |      |
|                             |                                      |  | 100 kHz         | 26                | 56    | 163   | 339   | 702    | 55     | 122                | 314   | 679   | 1429   |        |      |

1. Guaranteed by characterization results, unless otherwise specified.



**Table 32. Current consumption in Run, code with data processing running from SRAM1 and power supplied by external SMPS ( $V_{DD12} = 1.10$  V)**

| Symbol             | Parameter                  | Conditions <sup>(1)</sup>   |            | TYP   |       |       |        |        | Unit |
|--------------------|----------------------------|---|------------|-------|-------|-------|--------|--------|------|
|                    |                            | -   | $f_{HCLK}$ | 25 °C | 55 °C | 85 °C | 105 °C | 125 °C |      |
| $I_{DD\_ALL}(Run)$ | Supply current in Run mode | $f_{HCLK} = f_{HSE}$ up to 48MHz included, bypass mode<br>PLL ON above 48 MHz all peripherals disable | 80 MHz     | 3.67  | 3.70  | 3.77  | 3.85   | 3.99   | mA   |
|                    |                            |   | 72 MHz     | 3.33  | 3.35  | 3.40  | 3.48   | 3.63   |      |
|                    |                            |   | 64 MHz     | 2.97  | 2.99  | 3.04  | 3.12   | 3.26   |      |
|                    |                            |   | 48 MHz     | 2.25  | 2.28  | 2.33  | 2.40   | 2.56   |      |
|                    |                            |   | 32 MHz     | 1.52  | 1.54  | 1.59  | 1.66   | 1.81   |      |
|                    |                            |   | 24 MHz     | 1.15  | 1.17  | 1.22  | 1.29   | 1.43   |      |
|                    |                            |   | 16 MHz     | 0.78  | 0.80  | 0.84  | 0.92   | 1.06   |      |
|                    |                            |   | 8 MHz      | 0.42  | 0.43  | 0.48  | 0.55   | 0.70   |      |
|                    |                            |   | 4 MHz      | 0.23  | 0.25  | 0.29  | 0.36   | 0.51   |      |
|                    |                            |   | 2 MHz      | 0.14  | 0.16  | 0.20  | 0.27   | 0.41   |      |
|                    |                            |   | 1 MHz      | 0.09  | 0.11  | 0.15  | 0.22   | 0.37   |      |
| 100 kHz            | 0.05                       | 0.06  | 0.11       | 0.18  | 0.32  |       |        |        |      |

1. All values are obtained by calculation based on measurements done without SMPS and using following parameters: SMPS input = 3.3 V, SMPS efficiency = 85%,  $V_{DD12} = 1.10$  V

**Table 33. Typical current consumption in Run and Low-power run modes, with different codes running from Flash, ART enable (Cache ON Prefetch OFF)**

| Symbol                      | Parameter                       | Conditions  |                                       |                             | TYP   | Unit | TYP   | Unit   |
|-----------------------------|---------------------------------|---|---------------------------------------|-----------------------------|-------|------|-------|--------|
|                             |                                 | -   | Voltage scaling                       | Code                        | 25 °C |      | 25 °C |        |
| I <sub>DD_ALL</sub> (Run)   | Supply current in Run mode      | f <sub>HCLK</sub> = f <sub>HSE</sub> up to 48 MHz included, bypass mode PLL ON above 48 MHz all peripherals disable | Range 2<br>f <sub>HCLK</sub> = 26 MHz | Reduced code <sup>(1)</sup> | 2.9   | mA   | 111   | µA/MHz |
|                             |                                 |   |                                       | Coremark                    | 3.1   |      | 118   |        |
|                             |                                 |   |                                       | Dhrystone 2.1               | 3.1   |      | 119   |        |
|                             |                                 |   |                                       | Fibonacci                   | 2.9   |      | 112   |        |
|                             |                                 |   |                                       | While(1)                    | 2.8   |      | 108   |        |
|                             |                                 |   | Range 1<br>f <sub>HCLK</sub> = 80 MHz | Reduced code <sup>(1)</sup> | 10.2  | mA   | 127   | µA/MHz |
|                             |                                 |   |                                       | Coremark                    | 10.9  |      | 136   |        |
|                             |                                 |   |                                       | Dhrystone 2.1               | 11.0  |      | 137   |        |
|                             |                                 |   |                                       | Fibonacci                   | 10.5  |      | 131   |        |
|                             |                                 |   |                                       | While(1)                    | 9.9   |      | 124   |        |
| I <sub>DD_ALL</sub> (LPRun) | Supply current in Low-power run | f <sub>HCLK</sub> = f <sub>MSI</sub> = 2 MHz all peripherals disable  | Reduced code <sup>(1)</sup>           |                             | 272   | µA   | 136   | µA/MHz |
|                             |                                 |   | Coremark                              |                             | 291   |      | 145   |        |
|                             |                                 |   | Dhrystone 2.1                         |                             | 302   |      | 151   |        |
|                             |                                 |   | Fibonacci                             |                             | 269   |      | 135   |        |
|                             |                                 |   | While(1)                              |                             | 269   |      | 135   |        |

1. Reduced code used for characterization results provided in [Table 27](#), [Table 29](#), [Table 31](#).

**Table 34. Typical current consumption in Run, with different codes running from Flash, ART enable (Cache ON Prefetch OFF) and power supplied by external SMPS (V<sub>DD12</sub> = 1.10 V)**

| Symbol                    | Parameter                  | Conditions <sup>(1)</sup>   |                            |                             | TYP   | Unit | TYP   | Unit   |    |        |
|---------------------------|----------------------------|---|----------------------------|-----------------------------|-------|------|-------|--------|----|--------|
|                           |                            | -   | Voltage scaling            | Code                        | 25 °C |      | 25 °C |        |    |        |
| I <sub>DD_ALL</sub> (Run) | Supply current in Run mode | f <sub>HCLK</sub> = f <sub>HSE</sub> up to 48 MHz included, bypass mode PLL ON above 48 MHz all peripherals disable | f <sub>HCLK</sub> = 26 MHz | Reduced code <sup>(2)</sup> | 1.25  | mA   | 48    | µA/MHz |    |        |
|                           |                            |   |                            | Coremark                    | 1.34  |      | 51    |        |    |        |
|                           |                            |   |                            | Dhrystone 2.1               | 1.34  |      | 51    |        |    |        |
|                           |                            |   |                            | Fibonacci                   | 1.25  |      | 48    |        |    |        |
|                           |                            |   |                            | While(1)                    | 1.21  |      | 46    |        |    |        |
|                           |                            |   |                            | While(1)                    | 1.21  |      | 46    |        |    |        |
|                           |                            |   | f <sub>HCLK</sub> = 80 MHz | Reduced code <sup>(2)</sup> | 3.67  |      | mA    |        | 46 | µA/MHz |
|                           |                            |   |                            | Coremark                    | 3.92  |      |       |        | 49 |        |
|                           |                            |   |                            | Dhrystone 2.1               | 3.95  |      |       |        | 49 |        |
|                           |                            |   |                            | Fibonacci                   | 3.77  |      |       |        | 47 |        |
|                           |                            |   |                            | While(1)                    | 3.56  |      |       |        | 44 |        |
|                           |                            |   |                            | While(1)                    | 3.56  |      |       |        | 44 |        |



1. All values are obtained by calculation based on measurements done without SMPS and using following parameters:  
SMPS input = 3.3 V, SMPS efficiency = 85%,  $V_{DD12} = 1.10\text{ V}$
2. Reduced code used for characterization results provided in [Table 27](#), [Table 29](#), [Table 31](#).

**Table 35. Typical current consumption in Run, with different codes running from Flash, ART enable (Cache ON Prefetch OFF) and power supplied by external SMPS ( $V_{DD12} = 1.05\text{ V}$ )**

| Symbol              | Parameter                  | Conditions <sup>(1)</sup>   |                            |                             | TYP   | Unit | TYP   | Unit                     |
|---------------------|----------------------------|---|----------------------------|-----------------------------|-------|------|-------|--------------------------|
|                     |                            | -   | Voltage scaling            | Code                        | 25 °C |      | 25 °C |                          |
| $I_{DD\_ALL}$ (Run) | Supply current in Run mode | $f_{HCLK} = f_{HSE}$ up to 48 MHz included, bypass mode PLL ON above 48 MHz all peripherals disable | $f_{HCLK} = 26\text{ MHz}$ | Reduced code <sup>(2)</sup> | 1.14  | mA   | 44    | $\mu\text{A}/\text{MHz}$ |
|                     |                            |   |                            | Coremark                    | 1.22  |      | 47    |                          |
|                     |                            |   |                            | Dhrystone 2.1               | 1.22  |      | 47    |                          |
|                     |                            |   |                            | Fibonacci                   | 1.14  |      | 44    |                          |
|                     |                            |   |                            | While(1)                    | 1.10  |      | 42    |                          |

1. All values are obtained by calculation based on measurements done without SMPS and using following parameters:  
SMPS input = 3.3 V, SMPS efficiency = 85%,  $V_{DD12} = 1.05\text{ V}$
2. Reduced code used for characterization results provided in [Table 27](#), [Table 29](#), [Table 31](#).

**Table 36. Typical current consumption in Run and Low-power run modes, with different codes running from Flash, ART disable**

| Symbol                | Parameter                       | Conditions  |                                       |                             | TYP   | Unit          | TYP   | Unit                     |
|-----------------------|---------------------------------|---|---------------------------------------|-----------------------------|-------|---------------|-------|--------------------------|
|                       |                                 | -   | Voltage scaling                       | Code                        | 25 °C |               | 25 °C |                          |
| $I_{DD\_ALL}$ (Run)   | Supply current in Run mode      | $f_{HCLK} = f_{HSE}$ up to 48 MHz included, bypass mode PLL ON above 48 MHz all peripherals disable | Range 2<br>$f_{HCLK} = 26\text{ MHz}$ | Reduced code <sup>(1)</sup> | 3.1   | mA            | 119   | $\mu\text{A}/\text{MHz}$ |
|                       |                                 |   |                                       | Coremark                    | 2.9   |               | 111   |                          |
|                       |                                 |   |                                       | Dhrystone 2.1               | 2.8   |               | 111   |                          |
|                       |                                 |   |                                       | Fibonacci                   | 2.7   |               | 104   |                          |
|                       |                                 |   |                                       | While(1)                    | 2.6   |               | 100   |                          |
|                       |                                 |   | Range 1<br>$f_{HCLK} = 80\text{ MHz}$ | Reduced code <sup>(1)</sup> | 10.0  | mA            | 125   | $\mu\text{A}/\text{MHz}$ |
|                       |                                 |   |                                       | Coremark                    | 9.4   |               | 117   |                          |
|                       |                                 |   |                                       | Dhrystone 2.1               | 9.1   |               | 114   |                          |
|                       |                                 |   |                                       | Fibonacci                   | 9.0   |               | 112   |                          |
|                       |                                 |   |                                       | While(1)                    | 9.3   |               | 116   |                          |
| $I_{DD\_ALL}$ (LPRun) | Supply current in Low-power run | $f_{HCLK} = f_{MSI} = 2\text{ MHz}$ all peripherals disable   |                                       | Reduced code <sup>(1)</sup> | 358   | $\mu\text{A}$ | 179   | $\mu\text{A}/\text{MHz}$ |
|                       |                                 |   |                                       | Coremark                    | 392   |               | 196   |                          |
|                       |                                 |   |                                       | Dhrystone 2.1               | 390   |               | 195   |                          |
|                       |                                 |   |                                       | Fibonacci                   | 385   |               | 192   |                          |
|                       |                                 |   |                                       | While(1)                    | 385   |               | 192   |                          |

1. Reduced code used for characterization results provided in [Table 27](#), [Table 29](#), [Table 31](#).

**Table 37. Typical current consumption in Run modes, with different codes running from Flash, ART disable and power supplied by external SMPS ( $V_{DD12} = 1.10\text{ V}$ )**

| Symbol              | Parameter                  | Conditions <sup>(1)</sup>   |                            |                             | TYP   | Unit | TYP   | Unit                     |
|---------------------|----------------------------|---|----------------------------|-----------------------------|-------|------|-------|--------------------------|
|                     |                            | -   | Voltage scaling            | Code                        | 25 °C |      | 25 °C |                          |
| $I_{DD\_ALL}$ (Run) | Supply current in Run mode | $f_{HCLK} = f_{HSE}$ up to 48 MHz included, bypass mode PLL ON above 48 MHz all peripherals disable | $f_{HCLK} = 26\text{ MHz}$ | Reduced code <sup>(2)</sup> | 1.34  | mA   | 51    | $\mu\text{A}/\text{MHz}$ |
|                     |                            |   |                            | Coremark                    | 1.25  |      | 48    |                          |
|                     |                            |   |                            | Dhrystone 2.1               | 1.21  |      | 46    |                          |
|                     |                            |   |                            | Fibonacci                   | 1.16  |      | 45    |                          |
|                     |                            |   |                            | While(1)                    | 1.12  |      | 43    |                          |
|                     |                            |   |                            | Reduced code <sup>(2)</sup> | 3.59  |      | 45    |                          |
|                     |                            |   | $f_{HCLK} = 80\text{ MHz}$ | Coremark                    | 3.38  |      | 42    |                          |
|                     |                            |   |                            | Dhrystone 2.1               | 3.27  |      | 41    |                          |
|                     |                            |   |                            | Fibonacci                   | 3.24  |      | 40    |                          |
|                     |                            |   |                            | While(1)                    | 3.34  |      | 42    |                          |

- All values are obtained by calculation based on measurements done without SMPS and using following parameters: SMPS input = 3.3 V, SMPS efficiency = 85%,  $V_{DD12} = 1.10\text{ V}$
- Reduced code used for characterization results provided in [Table 27](#), [Table 29](#), [Table 31](#).

**Table 38. Typical current consumption in Run modes, with different codes running from Flash, ART disable and power supplied by external SMPS ( $V_{DD12} = 1.05\text{ V}$ )**

| Symbol              | Parameter                  | Conditions <sup>(1)</sup>   |                            |                             | TYP   | Unit | TYP   | Unit                     |
|---------------------|----------------------------|---|----------------------------|-----------------------------|-------|------|-------|--------------------------|
|                     |                            | -   | Voltage scaling            | Code                        | 25 °C |      | 25 °C |                          |
| $I_{DD\_ALL}$ (Run) | Supply current in Run mode | $f_{HCLK} = f_{HSE}$ up to 48 MHz included, bypass mode PLL ON above 48 MHz all peripherals | $f_{HCLK} = 26\text{ MHz}$ | Reduced code <sup>(2)</sup> | 1.22  | mA   | 47    | $\mu\text{A}/\text{MHz}$ |
|                     |                            |   |                            | Coremark                    | 1.14  |      | 44    |                          |
|                     |                            |   |                            | Dhrystone 2.1               | 1.10  |      | 42    |                          |
|                     |                            |   |                            | Fibonacci                   | 1.06  |      | 41    |                          |
|                     |                            |   |                            | While(1)                    | 1.02  |      | 39    |                          |

- All values are obtained by calculation based on measurements done without SMPS and using following parameters: SMPS input = 3.3 V, SMPS efficiency = 85%,  $V_{DD12} = 1.05\text{ V}$
- Reduced code used for characterization results provided in [Table 27](#), [Table 29](#), [Table 31](#).

**Table 39. Typical current consumption in Run and Low-power run modes, with different codes running from SRAM1**

| Symbol                      | Parameter                       | Conditions  |                                       |                             | TYP   | Unit | TYP   | Unit   |
|-----------------------------|---------------------------------|---|---------------------------------------|-----------------------------|-------|------|-------|--------|
|                             |                                 | -   | Voltage scaling                       | Code                        | 25 °C |      | 25 °C |        |
| I <sub>DD_ALL</sub> (Run)   | Supply current in Run mode      | f <sub>HCLK</sub> = f <sub>HSE</sub> up to 48 MHz included, bypass mode PLL ON above 48 MHz all peripherals disable | Range 2<br>f <sub>HCLK</sub> = 26 MHz | Reduced code <sup>(1)</sup> | 2.9   | mA   | 111   | μA/MHz |
|                             |                                 |   |                                       | Coremark                    | 2.9   |      | 111   |        |
|                             |                                 |   |                                       | Dhrystone 2.1               | 2.9   |      | 111   |        |
|                             |                                 |   |                                       | Fibonacci                   | 2.6   |      | 100   |        |
|                             |                                 |   |                                       | While(1)                    | 2.6   |      | 100   |        |
|                             |                                 |   | Range 1<br>f <sub>HCLK</sub> = 80 MHz | Reduced code <sup>(1)</sup> | 10.2  | mA   | 127   | μA/MHz |
|                             |                                 |   |                                       | Coremark                    | 10.4  |      | 130   |        |
|                             |                                 |   |                                       | Dhrystone 2.1               | 10.3  |      | 129   |        |
|                             |                                 |   |                                       | Fibonacci                   | 9.6   |      | 120   |        |
|                             |                                 |   |                                       | While(1)                    | 9.3   |      | 116   |        |
| I <sub>DD_ALL</sub> (LPRun) | Supply current in Low-power run | f <sub>HCLK</sub> = f <sub>MSI</sub> = 2 MHz all peripherals disable  |                                       | Reduced code <sup>(1)</sup> | 242   | μA   | 121   | μA/MHz |
|                             |                                 |   |                                       | Coremark                    | 242   |      | 121   |        |
|                             |                                 |   |                                       | Dhrystone 2.1               | 242   |      | 121   |        |
|                             |                                 |   |                                       | Fibonacci                   | 225   |      | 112   |        |
|                             |                                 |   |                                       | While(1)                    | 242   |      | 121   |        |

1. Reduced code used for characterization results provided in [Table 27](#), [Table 29](#), [Table 31](#).

**Table 40. Typical current consumption in Run mode, with different codes running from SRAM1 and power supplied by external SMPS (V<sub>DD12</sub> = 1.10 V)**

| Symbol                    | Parameter                  | Conditions <sup>(1)</sup>   |                            |                             | TYP   | Unit | TYP   | Unit   |
|---------------------------|----------------------------|---|----------------------------|-----------------------------|-------|------|-------|--------|
|                           |                            | -   | Voltage scaling            | Code                        | 25 °C |      | 25 °C |        |
| I <sub>DD_ALL</sub> (Run) | Supply current in Run mode | f <sub>HCLK</sub> = f <sub>HSE</sub> up to 48 MHz included, bypass mode PLL ON above 48 MHz all peripherals disable | f <sub>HCLK</sub> = 26 MHz | Reduced code <sup>(2)</sup> | 1.25  | mA   | 48    | μA/MHz |
|                           |                            |   |                            | Coremark                    | 1.25  |      | 48    |        |
|                           |                            |   |                            | Dhrystone 2.1               | 1.25  |      | 48    |        |
|                           |                            |   |                            | Fibonacci                   | 1.12  |      | 43    |        |
|                           |                            |   |                            | While(1)                    | 1.12  |      | 43    |        |
|                           |                            |   |                            | Reduced code <sup>(2)</sup> | 3.67  |      | 46    |        |
|                           |                            |   | f <sub>HCLK</sub> = 80 MHz | Coremark                    | 3.74  |      | 47    |        |
|                           |                            |   |                            | Dhrystone 2.1               | 3.70  |      | 46    |        |
|                           |                            |   |                            | Fibonacci                   | 3.45  |      | 43    |        |
|                           |                            |   |                            | While(1)                    | 3.34  |      | 42    |        |

1. All values are obtained by calculation based on measurements done without SMPS and using following parameters: SMPS input = 3.3 V, SMPS efficiency = 85%, V<sub>DD12</sub> = 1.10 V

2. Reduced code used for characterization results provided in [Table 27](#), [Table 29](#), [Table 31](#).





**Table 41. Typical current consumption in Run mode, with different codes running from SRAM1 and power supplied by external SMPS ( $V_{DD12} = 1.05\text{ V}$ )**

| Symbol              | Parameter                  | Conditions <sup>(1)</sup>  |                            |                             | TYP   | Unit | TYP   | Unit                     |
|---------------------|----------------------------|--|----------------------------|-----------------------------|-------|------|-------|--------------------------|
|                     |                            | -  | Voltage scaling            | Code                        | 25 °C |      | 25 °C |                          |
| $I_{DD\_ALL}$ (Run) | Supply current in Run mode | $f_{HCLK} = f_{HSE}$ up to 48 MHz included, bypass mode<br>PLL ON above 48 MHz all peripherals disable | $f_{HCLK} = 26\text{ MHz}$ | Reduced code <sup>(2)</sup> | 1.14  | mA   | 44    | $\mu\text{A}/\text{MHz}$ |
|                     |                            |  |                            | Coremark                    | 1.14  |      | 44    |                          |
|                     |                            |  |                            | Dhrystone 2.1               | 1.14  |      | 44    |                          |
|                     |                            |  |                            | Fibonacci                   | 1.02  |      | 39    |                          |
|                     |                            |  |                            | While(1)                    | 1.02  |      | 39    |                          |

1. All values are obtained by calculation based on measurements done without SMPS and using following parameters: SMPS input = 3.3 V, SMPS efficiency = 85%,  $V_{DD12} = 1.05\text{ V}$
2. Reduced code used for characterization results provided in [Table 27](#), [Table 29](#), [Table 31](#).



Table 42. Current consumption in Sleep and Low-power sleep modes, Flash ON

| Symbol                        | Parameter   | Conditions |                 |                   | TYP     |       |       |        |        | MAX <sup>(1)</sup> |       |       |        |        | Unit |    |
|-------------------------------|---|------------|-----------------|-------------------|---------|-------|-------|--------|--------|--------------------|-------|-------|--------|--------|------|----|
|                               |   | -          | Voltage scaling | f <sub>HCLK</sub> | 25 °C   | 55 °C | 85 °C | 105 °C | 125 °C | 25 °C              | 55 °C | 85 °C | 105 °C | 125 °C |      |    |
| I <sub>DD_ALL</sub> (Sleep)   | Supply current in sleep mode, PLL ON above 48 MHz all peripherals disable |            | Voltage scaling | Range 2           | 26 MHz  | 0.92  | 0.96  | 1.07   | 1.25   | 1.59               | 1.012 | 1.14  | 1.36   | 1.77   | 2.40 | mA |
|                               |   |            |                 |                   | 16 MHz  | 0.61  | 0.65  | 0.75   | 0.92   | 1.27               | 0.69  | 0.78  | 0.97   | 1.32   | 2.04 |    |
|                               |   |            |                 |                   | 8 MHz   | 0.36  | 0.40  | 0.50   | 0.66   | 1.01               | 0.42  | 0.50  | 0.68   | 1.03   | 1.75 |    |
|                               |   |            |                 |                   | 4 MHz   | 0.24  | 0.27  | 0.37   | 0.53   | 0.87               | 0.28  | 0.36  | 0.54   | 0.89   | 1.60 |    |
|                               |   |            |                 |                   | 2 MHz   | 0.18  | 0.20  | 0.30   | 0.47   | 0.81               | 0.215 | 0.29  | 0.46   | 0.82   | 1.53 |    |
|                               |   |            |                 |                   | 1 MHz   | 0.15  | 0.17  | 0.27   | 0.43   | 0.77               | 0.18  | 0.25  | 0.44   | 0.78   | 1.49 |    |
|                               |   |            |                 |                   | 100 kHz | 0.12  | 0.14  | 0.24   | 0.41   | 0.74               | 0.15  | 0.21  | 0.39   | 0.74   | 1.44 |    |
|                               |   |            |                 | Range 1           | 80 MHz  | 2.96  | 3.00  | 3.13   | 3.33   | 3.73               | 3.26  | 3.43  | 3.72   | 4.13   | 4.97 |    |
|                               |   |            |                 |                   | 72 MHz  | 2.69  | 2.73  | 2.85   | 3.05   | 3.45               | 2.96  | 3.21  | 3.50   | 3.71   | 4.54 |    |
|                               |   |            |                 |                   | 64 MHz  | 2.41  | 2.45  | 2.58   | 2.77   | 3.17               | 2.65  | 2.88  | 3.17   | 3.58   | 4.21 |    |
|                               |   |            |                 |                   | 48 MHz  | 1.88  | 1.93  | 2.07   | 2.27   | 2.67               | 2.10  | 2.27  | 2.41   | 2.83   | 3.66 |    |
|                               |   |            |                 |                   | 32 MHz  | 1.30  | 1.35  | 1.48   | 1.68   | 2.08               | 1.43  | 1.56  | 1.85   | 2.26   | 3.10 |    |
|                               |   |            |                 |                   | 24 MHz  | 1.01  | 1.05  | 1.17   | 1.37   | 1.76               | 1.11  | 1.23  | 1.52   | 1.93   | 2.77 |    |
|                               |   |            |                 |                   | 16 MHz  | 0.71  | 0.75  | 0.87   | 1.07   | 1.45               | 0.80  | 0.90  | 1.19   | 1.60   | 2.44 |    |
| I <sub>DD_ALL</sub> (LPSleep) | Supply current in low-power sleep mode                                    |            | Voltage scaling |                   | 2 MHz   | 96    | 126   | 233    | 412    | 775                | 130   | 202   | 402    | 777    | 1527 | μA |
|                               |   |            |                 |                   | 1 MHz   | 65    | 94    | 202    | 381    | 742                | 95    | 166   | 358    | 733    | 1483 |    |
|                               |   |            |                 |                   | 400 kHz | 43    | 73    | 181    | 359    | 718                | 75    | 138   | 331    | 706    | 1456 |    |
|                               |   |            |                 |                   | 100 kHz | 33    | 63    | 171    | 348    | 708                | 65    | 128   | 322    | 691    | 1441 |    |

1. Guaranteed by characterization results, unless otherwise specified.

**Table 43. Current consumption in Sleep, Flash ON and power supplied by external SMPS**  
 ( $V_{DD12} = 1.10\text{ V}$ )

| Symbol               | Parameter                     | Conditions <sup>(1)</sup>   |            | TYP   |       |       |        |        | Unit |
|----------------------|-------------------------------|---|------------|-------|-------|-------|--------|--------|------|
|                      |                               | -   | $f_{HCLK}$ | 25 °C | 55 °C | 85 °C | 105 °C | 125 °C |      |
| $I_{DD\_ALL(Sleep)}$ | Supply current in sleep mode, | $f_{HCLK} = f_{HSE}$ up to 48 MHz included, bypass mode PLL ON above 48 MHz all peripherals disable | 80 MHz     | 1.06  | 1.08  | 1.13  | 1.20   | 1.34   | mA   |
|                      |                               |   | 72 MHz     | 0.97  | 0.98  | 1.02  | 1.10   | 1.24   |      |
|                      |                               |   | 64 MHz     | 0.87  | 0.88  | 0.93  | 1.00   | 1.14   |      |
|                      |                               |   | 48 MHz     | 0.68  | 0.69  | 0.74  | 0.82   | 0.96   |      |
|                      |                               |   | 32 MHz     | 0.47  | 0.49  | 0.53  | 0.60   | 0.75   |      |
|                      |                               |   | 24 MHz     | 0.36  | 0.38  | 0.42  | 0.49   | 0.63   |      |
|                      |                               |   | 16 MHz     | 0.26  | 0.27  | 0.31  | 0.38   | 0.52   |      |
|                      |                               |   | 8 MHz      | 0.16  | 0.17  | 0.22  | 0.28   | 0.44   |      |
|                      |                               |   | 4 MHz      | 0.10  | 0.12  | 0.16  | 0.23   | 0.38   |      |
|                      |                               |   | 2 MHz      | 0.08  | 0.09  | 0.13  | 0.20   | 0.35   |      |
|                      |                               |   | 1 MHz      | 0.06  | 0.07  | 0.12  | 0.19   | 0.33   |      |
| 100 kHz              | 0.05                          | 0.06  | 0.10       | 0.18  | 0.32  |       |        |        |      |

1. All values are obtained by calculation based on measurements done without SMPS and using following parameters: SMPS input = 3.3 V, SMPS efficiency = 85%,  $V_{DD12} = 1.10\text{ V}$

**Table 44. Current consumption in Low-power sleep modes, Flash in power-down**

| Symbol                 | Parameter                              | Conditions                                      |                 |            | TYP     |       |       |        |        | MAX <sup>(1)</sup> |       |       |        |        | Unit |    |
|------------------------|--|---|-----------------|------------|---------|-------|-------|--------|--------|--------------------|-------|-------|--------|--------|------|----|
|                        |  | -   | Voltage scaling | $f_{HCLK}$ | 25 °C   | 55 °C | 85 °C | 105 °C | 125 °C | 25 °C              | 55 °C | 85 °C | 105 °C | 125 °C |      |    |
| $I_{DD\_ALL(LPSleep)}$ | Supply current in low-power sleep mode | $f_{HCLK} = f_{MSI}$<br>all peripherals disable |                 |            | 2 MHz   | 81    | 110   | 217    | 395    | 754                | 115   | 182   | 375    | 750    | 1500 | μA |
|                        |  |   |                 |            | 1 MHz   | 50    | 78    | 185    | 362    | 720                | 80    | 149   | 342    | 717    | 1456 |    |
|                        |  |   |                 |            | 400 kHz | 28    | 57    | 163    | 340    | 698                | 60    | 122   | 314    | 689    | 1429 |    |
|                        |  |   |                 |            | 100 kHz | 18    | 47    | 155    | 332    | 686                | 50    | 114   | 313    | 688    | 1438 |    |

1. Guaranteed by characterization results, unless otherwise specified.



Table 45. Current consumption in Stop 2 mode

| Symbol                                      | Parameter   | Conditions  |                 | TYP   |       |       |        |        | MAX <sup>(1)</sup> |       |       |                   |        | Unit |
|---|---|---|-----------------|-------|-------|-------|--------|--------|--------------------|-------|-------|-------------------|--------|------|
|   |   | -   | V <sub>DD</sub> | 25 °C | 55 °C | 85 °C | 105 °C | 125 °C | 25 °C              | 55 °C | 85 °C | 105 °C            | 125 °C |      |
| I <sub>DD_ALL</sub><br>(Stop 2)             | Supply current in<br>Stop 2 mode,<br>RTC disabled | LCD disabled  | 1.8 V           | 1.14  | 3.77  | 14.7  | 34.7   | 77     | 2.7                | 9     | 37    | 87                | 193    | μA   |
|   |   |   | 2.4 V           | 1.15  | 3.86  | 15    | 35.5   | 79.1   | 2.7                | 10    | 38    | 89                | 198    |      |
|   |   |   | 3 V             | 1.18  | 3.97  | 15.4  | 36.4   | 81.3   | 2.8                | 10    | 39    | 91                | 203    |      |
|   |   |   | 3.6 V           | 1.26  | 4.11  | 16    | 38     | 85.1   | 3.0                | 10    | 40    | 95 <sup>(2)</sup> | 213    |      |
|   |   | LCD enabled <sup>(3)</sup><br>clocked by LSI                                      | 1.8 V           | 1.43  | 3.98  | 15    | 35     | 77.3   | 3.2                | 10    | 38    | 88                | 193    |      |
|   |   |   | 2.4 V           | 1.49  | 4.07  | 15.3  | 35.8   | 79.4   | 3.2                | 10    | 38    | 90                | 199    |      |
|   |   |   | 3 V             | 1.54  | 4.24  | 15.7  | 36.7   | 81.6   | 3.3                | 11    | 39    | 92                | 204    |      |
| I <sub>DD_ALL</sub><br>(Stop 2 with<br>RTC) | Supply current in<br>Stop 2 mode,<br>RTC enabled  | RTC clocked by LSI,<br>LCD disabled   | 1.8 V           | 1.42  | 4.04  | 15    | 34.9   | 77.2   | 3.1                | 10    | 38    | 87                | 193    | μA   |
|   |   |   | 2.4 V           | 1.5   | 4.22  | 15.4  | 35.7   | 79.2   | 3.2                | 11    | 39    | 89                | 198    |      |
|   |   |   | 3 V             | 1.64  | 4.37  | 15.8  | 36.7   | 81.4   | 3.4                | 11    | 40    | 92                | 204    |      |
|   |   |   | 3.6 V           | 1.79  | 4.65  | 16.6  | 38.4   | 85.4   | 3.6                | 12    | 42    | 96                | 214    |      |
|   |   | RTC clocked by LSI,<br>LCD enabled <sup>(3)</sup>                                 | 1.8 V           | 1.53  | 4.07  | 15.1  | 35.1   | 77.4   | 3.3                | 10    | 38    | 88                | 194    |      |
|   |   |   | 2.4 V           | 1.62  | 4.32  | 15.5  | 35.9   | 79.5   | 3.4                | 11    | 39    | 90                | 199    |      |
|   |   |   | 3 V             | 1.69  | 4.43  | 15.9  | 36.8   | 81.7   | 3.5                | 11    | 40    | 92                | 204    |      |
|   |   |   | 3.6 V           | 1.86  | 4.65  | 16.7  | 38.5   | 85.5   | 3.7                | 12    | 42    | 96                | 214    |      |
|   |   | RTC clocked by LSE<br>bypassed at<br>32768Hz, LCD disabled                        | 1.8 V           | 1.5   | 4.13  | 15.2  | 35.3   | 77.6   | 3.2                | 10    | 38    | 88                | 194    |      |
|   |   |   | 2.4 V           | 1.63  | 4.33  | 15.6  | 36     | 79.6   | 3.4                | 11    | 39    | 90                | 199    |      |
|   |   |   | 3 V             | 1.79  | 4.55  | 16.1  | 37     | 81.8   | 3.6                | 11    | 40    | 93                | 205    |      |
|   |   |   | 3.6 V           | 2.04  | 4.9   | 16.8  | 38.7   | 85.6   | 3.9                | 12    | 42    | 97                | 214    |      |
|   |   | RTC clocked by LSE<br>quartz <sup>(4)</sup><br>in low drive mode,<br>LCD disabled | 1.8 V           | 1.43  | 3.99  | 14.7  | 35     | -      | 3.2                | 10    | 37    | 88                | -      |      |
|   |   |   | 2.4 V           | 1.54  | 4.11  | 15    | 35.8   | -      | 3.3                | 10    | 38    | 90                | -      |      |
|   |   |   | 3 V             | 1.67  | 4.29  | 15.5  | 36.7   | -      | 3.4                | 11    | 39    | 92                | -      |      |
|   |   |   | 3.6 V           | 1.87  | 4.57  | 16.2  | 38.3   | -      | 3.7                | 11    | 41    | 96                | -      |      |

**Table 45. Current consumption in Stop 2 mode (continued)**

| Symbol                                      | Parameter                                     | Conditions  |                 | TYP   |       |       |        |        | MAX <sup>(1)</sup> |       |       |        |        | Unit |
|---|---|---|-----------------|-------|-------|-------|--------|--------|--------------------|-------|-------|--------|--------|------|
|   |   | -   | V <sub>DD</sub> | 25 °C | 55 °C | 85 °C | 105 °C | 125 °C | 25 °C              | 55 °C | 85 °C | 105 °C | 125 °C |      |
| I <sub>DD_ALL</sub><br>(wakeup from Stop 2) | Supply current during wakeup from Stop 2 mode | Wakeup clock is MSI = 48 MHz, voltage Range 1. See <sup>(5)</sup> .   | 3 V             | 1.9   | -     | -     | -      | -      |                    |       |       |        |        | mA   |
|   |   | Wakeup clock is MSI = 4 MHz, voltage Range 2. See <sup>(5)</sup> .    | 3 V             | 2.24  | -     | -     | -      | -      |                    |       |       |        |        |      |
|   |   | Wakeup clock is HSI16 = 16 MHz, voltage Range 1. See <sup>(5)</sup> . | 3 V             | 2.1   | -     | -     | -      | -      |                    |       |       |        |        |      |

1. Guaranteed by characterization results, unless otherwise specified.
2. Guaranteed by test in production.
3. LCD enabled with external voltage source. Consumption from VLCD excluded. Refer to LCD controller characteristics for I<sub>VLCD</sub>.
4. Based on characterization done with a 32.768 kHz crystal (MC306-G-06Q-32.768, manufacturer JFVNY) with two 6.8 pF loading capacitors.
5. Wakeup with code execution from Flash. Average value given for a typical wakeup time as specified in [Table 52: Low-power mode wakeup timings](#).



Table 46. Current consumption in Stop 1 mode

| Symbol                                      | Parameter  | Conditions   |  |                 | TYP   |       |       |        |        | MAX <sup>(1)</sup> |       |       |        |        | Unit |
|---|--|--|--|-----------------|-------|-------|-------|--------|--------|--------------------|-------|-------|--------|--------|------|
|   |  | -  | -  | V <sub>DD</sub> | 25 °C | 55 °C | 85 °C | 105 °C | 125 °C | 25 °C              | 55 °C | 85 °C | 105 °C | 125 °C |      |
| I <sub>DD_ALL</sub><br>(Stop 1)             | Supply current<br>in Stop 1<br>mode,<br>RTC disabled | -  | LCD<br>disabled                                    | 1.8 V           | 6.59  | 24.7  | 92.7  | 208    | 437    | 16                 | 62    | 232   | 520    | 1093   | μA   |
|   |  |  |  | 2.4 V           | 6.65  | 24.8  | 92.9  | 209    | 439    | 17                 | 62    | 232   | 523    | 1098   |      |
|   |  |  |  | 3 V             | 6.65  | 24.9  | 93.3  | 210    | 442    | 17                 | 62    | 233   | 525    | 1105   |      |
|   |  |  |  | 3.6 V           | 6.70  | 25.1  | 93.8  | 212    | 447    | 17                 | 63    | 235   | 530    | 1118   |      |
|   |  | -  | LCD<br>enabled <sup>(2)</sup><br>clocked by<br>LSI | 1.8 V           | 7.00  | 25.2  | 97.2  | 219    | 461    | 18                 | 63    | 243   | 548    | 1153   |      |
|   |  |  |  | 2.4 V           | 7.14  | 25.4  | 97.5  | 220    | 463    | 18                 | 64    | 244   | 550    | 1158   |      |
|   |  |  |  | 3 V             | 7.24  | 25.7  | 97.7  | 221    | 465    | 18                 | 64    | 244   | 553    | 1163   |      |
|   |  |  |  | 3.6 V           | 7.36  | 26.1  | 98.7  | 223    | 471    | 18                 | 65    | 247   | 558    | 1178   |      |
| I <sub>DD_ALL</sub><br>(Stop 1 with<br>RTC) | Supply current<br>in stop 1<br>mode,<br>RTC enabled  | RTC clocked by<br>LSI  | LCD<br>disabled                                    | 1.8 V           | 6.88  | 25.0  | 93.1  | 209    | 439    | 17                 | 63    | 233   | 523    | 1098   | μA   |
|   |  |  |  | 2.4 V           | 7.02  | 25.2  | 93.7  | 210    | 441    | 18                 | 63    | 234   | 525    | 1103   |      |
|   |  |  |  | 3 V             | 7.12  | 25.4  | 94.2  | 212    | 444    | 18                 | 64    | 236   | 530    | 1110   |      |
|   |  |  |  | 3.6 V           | 7.25  | 25.7  | 95.2  | 214    | 449    | 18                 | 64    | 238   | 535    | 1123   |      |
|   |  |  | LCD<br>enabled <sup>(2)</sup>                      | 1.8 V           | 7.01  | 26.1  | 99.0  | 223    | 467    | 18                 | 65    | 248   | 558    | 1168   |      |
|   |  |  |  | 2.4 V           | 7.14  | 26.3  | 99.6  | 225    | 470    | 18                 | 66    | 249   | 563    | 1175   |      |
|   |  |  |  | 3 V             | 7.31  | 26.6  | 100.0 | 226    | 474    | 18                 | 67    | 250   | 565    | 1185   |      |
|   |  |  |  | 3.6 V           | 7.41  | 26.9  | 102.0 | 229    | 480    | 19                 | 67    | 255   | 573    | 1200   |      |
|   |  | RTC clocked by<br>LSE bypassed<br>at 32768 Hz                    | LCD<br>disabled                                    | 1.8 V           | 6.91  | 25.2  | 93.4  | 210    | 440    | 17                 | 63    | 234   | 525    | 1100   |      |
|   |  |  |  | 2.4 V           | 7.04  | 25.3  | 94.2  | 211    | 443    | 18                 | 63    | 236   | 528    | 1108   |      |
|   |  |  |  | 3 V             | 7.19  | 25.7  | 95.0  | 212    | 446    | 18                 | 64    | 238   | 530    | 1115   |      |
|   |  |  |  | 3.6 V           | 7.97  | 26.0  | 96.1  | 215    | 451    | 20                 | 65    | 240   | 538    | 1128   |      |
|   |  | RTC clocked by<br>LSE quartz <sup>(3)</sup> in<br>low drive mode | LCD<br>disabled                                    | 1.8 V           | 6.85  | 25.0  | 93.0  | 208.3  | -      | 17                 | 63    | 233   | 521    | -      |      |
|   |  |  |  | 2.4 V           | 6.94  | 25.1  | 93.2  | 209.3  | -      | 17                 | 63    | 233   | 523    | -      |      |
|   |  |  |  | 3 V             | 7.10  | 25.2  | 93.6  | 210.3  | -      | 18                 | 63    | 234   | 526    | -      |      |
|   |  |  |  | 3.6 V           | 7.34  | 25.4  | 94.1  | 212.3  | -      | 18                 | 64    | 235   | 531    | -      |      |

**Table 46. Current consumption in Stop 1 mode (continued)**

| Symbol  | Parameter   | Conditions  |   |                 | TYP   |       |       |        |        | MAX <sup>(1)</sup> |       |       |        |        | Unit |
|---|---|---|---|-----------------|-------|-------|-------|--------|--------|--------------------|-------|-------|--------|--------|------|
|   |   | -   | - | V <sub>DD</sub> | 25 °C | 55 °C | 85 °C | 105 °C | 125 °C | 25 °C              | 55 °C | 85 °C | 105 °C | 125 °C |      |
| I <sub>DD_ALL</sub><br>(wakeup<br>from Stop1) | Supply current<br>during<br>wakeup from<br>Stop 1 | Wakeup clock MSI = 48 MHz,<br>voltage Range 1.<br>See <sup>(4)</sup> .      |   | 3 V             | 1.47  | -     | -     | -      | -      | -                  |       |       |        |        | mA   |
|   |   | Wakeup clock MSI = 4 MHz,<br>voltage Range 2.<br>See <sup>(4)</sup> .       |   | 3 V             | 1.7   | -     | -     | -      | -      |                    |       |       |        |        |      |
|   |   | Wakeup clock<br>HSI16 = 16 MHz,<br>voltage Range 1.<br>See <sup>(4)</sup> . |   | 3 V             | 1.62  | -     | -     | -      | -      |                    |       |       |        |        |      |

1. Guaranteed by characterization results, unless otherwise specified.
2. LCD enabled with external voltage source. Consumption from VLCD excluded. Refer to LCD controller characteristics for I<sub>VLCD</sub>.
3. Based on characterization done with a 32.768 kHz crystal (MC306-G-06Q-32.768, manufacturer JFVNY) with two 6.8 pF loading capacitors.
4. Wakeup with code execution from Flash. Average value given for a typical wakeup time as specified in [Table 52: Low-power mode wakeup timings](#).



Table 47. Current consumption in Stop 0 mode

| Symbol                          | Parameter                                   | Conditions      | TYP   |       |       |        |        | MAX <sup>(1)</sup> |       |       |                    |        | Unit |
|---------------------------------|---|-----------------|-------|-------|-------|--------|--------|--------------------|-------|-------|--------------------|--------|------|
|                                 |   | V <sub>DD</sub> | 25 °C | 55 °C | 85 °C | 105 °C | 125 °C | 25 °C              | 55 °C | 85 °C | 105 °C             | 125 °C |      |
| I <sub>DD_ALL</sub><br>(Stop 0) | Supply current in Stop 0 mode, RTC disabled | 1.8 V           | 108   | 132   | 217   | 356    | 631    | 153                | 213   | 426   | 773                | 1461   | μA   |
|                                 |   | 2.4 V           | 110   | 134   | 219   | 358    | 634    | 158                | 218   | 431   | 778                | 1468   |      |
|                                 |   | 3 V             | 111   | 135   | 220   | 360    | 637    | 161                | 221   | 433   | 783                | 1476   |      |
|                                 |   | 3.6 V           | 113   | 137   | 222   | 363    | 642    | 166                | 226   | 438   | 791 <sup>(2)</sup> | 1488   |      |

1. Guaranteed by characterization results, unless otherwise specified.
2. Guaranteed by test in production.



**Table 48. Current consumption in Standby mode**

| Symbol                                    | Parameter  | Conditions   |                 | TYP   |       |       |        |        | MAX <sup>(1)</sup> |       |       |                      |        | Unit |   |
|---|--|--|-----------------|-------|-------|-------|--------|--------|--------------------|-------|-------|----------------------|--------|------|---|
|   |  | -  | V <sub>DD</sub> | 25 °C | 55 °C | 85 °C | 105 °C | 125 °C | 25 °C              | 55 °C | 85 °C | 105 °C               | 125 °C |      |   |
| I <sub>DD_ALL</sub><br>(Standby)          | Supply current in Standby mode (backup registers retained), RTC disabled | no independent watchdog                                    | 1.8 V           | 114   | 355   | 1540  | 4146   | 10735  | 176                | 888   | 3850  | 10365                | 26838  | nA   |   |
|   |  |  | 2.4 V           | 138   | 407   | 1795  | 4828   | 12451  | 223                | 1018  | 4488  | 12070                | 31128  |      |   |
|   |  |  | 3 V             | 150   | 486   | 2074  | 5589   | 14291  | 263                | 1215  | 5185  | 13973                | 35728  |      |   |
|   |  |  | 3.6 V           | 198   | 618   | 2608  | 6928   | 17499  | 383                | 1545  | 6520  | 17320 <sup>(2)</sup> | 43748  |      |   |
|   |  | with independent watchdog                                  | 1.8 V           | 317   | -     | -     | -      | -      | -                  | -     | -     | -                    | -      |      | - |
|   |  |  | 2.4 V           | 391   | -     | -     | -      | -      | -                  | -     | -     | -                    | -      |      | - |
|   |  |  | 3 V             | 438   | -     | -     | -      | -      | -                  | -     | -     | -                    | -      |      | - |
|   |  |  | 3.6 V           | 566   | -     | -     | -      | -      | -                  | -     | -     | -                    | -      |      | - |
| I <sub>DD_ALL</sub><br>(Standby with RTC) | Supply current in Standby mode (backup registers retained), RTC enabled  | RTC clocked by LSI, no independent watchdog                | 1.8 V           | 377   | 621   | 1873  | 4564   | 11318  | 491                | 1207  | 4250  | 10867                | 27537  | nA   |   |
|   |  |  | 2.4 V           | 464   | 756   | 2210  | 5348   | 13166  | 614                | 1436  | 4986  | 12694                | 31986  |      |   |
|   |  |  | 3 V             | 572   | 913   | 2599  | 6219   | 15197  | 770                | 1727  | 5815  | 14729                | 36815  |      |   |
|   |  |  | 3.6 V           | 722   | 1144  | 3253  | 7724   | 18696  | 1012               | 2176  | 7294  | 18275                | 45184  |      |   |
|   |  | RTC clocked by LSI, with independent watchdog              | 1.8 V           | 456   | -     | -     | -      | -      | -                  | -     | -     | -                    | -      |      | - |
|   |  |  | 2.4 V           | 557   | -     | -     | -      | -      | -                  | -     | -     | -                    | -      |      | - |
|   |  |  | 3 V             | 663   | -     | -     | -      | -      | -                  | -     | -     | -                    | -      |      | - |
|   |  |  | 3.6 V           | 885   | -     | -     | -      | -      | -                  | -     | -     | -                    | -      |      | - |
|   |  | RTC clocked by LSE bypassed at 32768Hz                     | 1.8 V           | 289   | 527   | 1747  | 4402   | 11009  | -                  | -     | -     | -                    | -      |      | - |
|   |  |  | 2.4 V           | 396   | 671   | 2108  | 5202   | 12869  | -                  | -     | -     | -                    | -      |      | - |
|   |  |  | 3 V             | 528   | 853   | 2531  | 6095   | 14915  | -                  | -     | -     | -                    | -      |      | - |
|   |  |  | 3.6 V           | 710   | 1111  | 3115  | 7470   | 18221  | -                  | -     | -     | -                    | -      |      | - |
|   |  | RTC clocked by LSE quartz <sup>(3)</sup> in low drive mode | 1.8 V           | 416   | 640   | 1862  | 4479   | 11908  | -                  | -     | -     | -                    | -      |      | - |
|   |  |  | 2.4 V           | 514   | 796   | 2193  | 5236   | 13689  | -                  | -     | -     | -                    | -      |      | - |
|   |  |  | 3 V             | 652   | 961   | 2589  | 6103   | 15598  | -                  | -     | -     | -                    | -      |      | - |
|   |  |  | 3.6 V           | 821   | 1226  | 3235  | 7551   | 17947  | -                  | -     | -     | -                    | -      |      | - |



Table 48. Current consumption in Standby mode (continued)

| Symbol                                     | Parameter   | Conditions  |                 | TYP   |       |       |        |        | MAX <sup>(1)</sup> |       |       |        |        | Unit |
|--|---|---|-----------------|-------|-------|-------|--------|--------|--------------------|-------|-------|--------|--------|------|
|  |   | -   | V <sub>DD</sub> | 25 °C | 55 °C | 85 °C | 105 °C | 125 °C | 25 °C              | 55 °C | 85 °C | 105 °C | 125 °C |      |
| I <sub>DD_ALL</sub> (SRAM2) <sup>(4)</sup> | Supply current to be added in Standby mode when SRAM2 is retained | -   | 1.8 V           | 235   | 641   | 2293  | 5192   | 11213  | 588                | 1603  | 5733  | 12980  | 28033  | nA   |
|  |   |   | 2.4 V           | 237   | 645   | 2303  | 5213   | 11246  | 593                | 1613  | 5758  | 13033  | 28115  |      |
|  |   |   | 3 V             | 236   | 647   | 2306  | 5221   | 11333  | 593                | 1618  | 5765  | 13053  | 28333  |      |
|  |   |   | 3.6 V           | 235   | 646   | 2308  | 5200   | 11327  | 595                | 1620  | 5770  | 13075  | 28350  |      |
| I <sub>DD_ALL</sub> (wake up from Standby) | Supply current during wakeup from Standby mode                    | Wakeup clock is MSI = 4 MHz. See <sup>(5)</sup> . | 3 V             | 1.7   | -     | -     | -      | -      | -                  | -     | -     | -      | mA     |      |

1. Guaranteed by characterization results, unless otherwise specified.
2. Guaranteed by test in production.
3. Based on characterization done with a 32.768 kHz crystal (MC306-G-06Q-32.768, manufacturer JFVNY) with two 6.8 pF loading capacitors.
4. The supply current in Standby with SRAM2 mode is: I<sub>DD\_ALL</sub>(Standby) + I<sub>DD\_ALL</sub>(SRAM2). The supply current in Standby with RTC with SRAM2 mode is: I<sub>DD\_ALL</sub>(Standby + RTC) + I<sub>DD\_ALL</sub>(SRAM2).
5. Wakeup with code execution from Flash. Average value given for a typical wakeup time as specified in [Table 52: Low-power mode wakeup timings](#).

Table 49. Current consumption in Shutdown mode

| Symbol                         | Parameter  | Conditions |                 | TYP   |       |       |        |        | MAX <sup>(1)</sup> |       |       |        |        | Unit |
|--------------------------------|--|------------|-----------------|-------|-------|-------|--------|--------|--------------------|-------|-------|--------|--------|------|
|                                |  | -          | V <sub>DD</sub> | 25 °C | 55 °C | 85 °C | 105 °C | 125 °C | 25 °C              | 55 °C | 85 °C | 105 °C | 125 °C |      |
| I <sub>DD_ALL</sub> (Shutdown) | Supply current in Shutdown mode (backup registers retained) RTC disabled | -          | 1.8 V           | 29.8  | 194   | 1110  | 3250   | 9093   | 75                 | 485   | 2775  | 8125   | 22733  | nA   |
|                                |  |            | 2.4 V           | 44.3  | 237   | 1310  | 3798   | 10473  | 111                | 593   | 3275  | 9495   | 26183  |      |
|                                |  |            | 3 V             | 64.1  | 293   | 1554  | 4461   | 12082  | 160                | 733   | 3885  | 11153  | 30205  |      |
|                                |  |            | 3.6 V           | 112   | 420   | 2041  | 5689   | 15186  | 280                | 1050  | 5103  | 14223  | 37965  |      |

**Table 49. Current consumption in Shutdown mode (continued)**

| Symbol  | Parameter   | Conditions   | TYP             |       |       |       |        | MAX <sup>(1)</sup> |       |       |       |        | Unit |        |   |
|---|---|--|-----------------|-------|-------|-------|--------|--------------------|-------|-------|-------|--------|------|--------|---|
|   |   |  | V <sub>DD</sub> | 25 °C | 55 °C | 85 °C | 105 °C | 125 °C             | 25 °C | 55 °C | 85 °C | 105 °C |      | 125 °C |   |
| I <sub>DD_ALL</sub><br>(Shutdown with RTC)    | Supply current in Shutdown mode (backup registers retained) RTC enabled | RTC clocked by LSE bypassed at 32768 Hz                    | 1.8 V           | 210   | 378   | 1299  | 3437   | 9357               | -     | -     | -     | -      | -    | nA     |   |
|   |   |  | 2.4 V           | 303   | 499   | 1577  | 4056   | 10825              | -     | -     | -     | -      | -    |        |   |
|   |   |  | 3 V             | 422   | 655   | 1925  | 4820   | 12569              | -     | -     | -     | -      | -    |        |   |
|   |   |  | 3.6 V           | 584   | 888   | 2511  | 6158   | 15706              | -     | -     | -     | -      | -    |        |   |
|   |   | RTC clocked by LSE quartz <sup>(2)</sup> in low drive mode | 1.8 V           | 329   | 499   | 1408  | 3460   | -                  | -     | -     | -     | -      | -    |        | - |
|   |   |  | 2.4 V           | 431   | 634   | 1688  | 4064   | -                  | -     | -     | -     | -      | -    |        | - |
|   |   |  | 3 V             | 554   | 791   | 2025  | 4795   | -                  | -     | -     | -     | -      | -    |        | - |
|   |   |  | 3.6 V           | 729   | 1040  | 2619  | 6129   | -                  | -     | -     | -     | -      | -    |        | - |
| I <sub>DD_ALL</sub><br>(wakeup from Shutdown) | Supply current during wakeup from Shutdown mode                         | Wakeup clock is MSI = 4 MHz. See <sup>(3)</sup> .          | 3 V             | 0.6   | -     | -     | -      | -                  | -     | -     | -     | -      | mA   |        |   |

1. Guaranteed by characterization results, unless otherwise specified.
2. Based on characterization done with a 32.768 kHz crystal (MC306-G-06Q-32.768, manufacturer JFVNY) with two 6.8 pF loading capacitors.
3. Wakeup with code execution from Flash. Average value given for a typical wakeup time as specified in [Table 52: Low-power mode wakeup timings](#).



Table 50. Current consumption in VBAT mode

| Symbol               | Parameter                    | Conditions   |                  | TYP   |       |       |        |        | MAX <sup>(1)</sup> |       |       |        |        | Unit |   |
|----------------------|------------------------------|--|------------------|-------|-------|-------|--------|--------|--------------------|-------|-------|--------|--------|------|---|
|                      |                              | -  | V <sub>BAT</sub> | 25 °C | 55 °C | 85 °C | 105 °C | 125 °C | 25 °C              | 55 °C | 85 °C | 105 °C | 125 °C |      |   |
| I <sub>DD_VBAT</sub> | Backup domain supply current | RTC disabled   | 1.8 V            | 4     | 29    | 196   | 587    | 1663   | 10.8               | 73    | 490   | 1468   | 4158   | nA   |   |
|                      |                              |  | 2.4 V            | 5.27  | 36    | 226   | 673    | 1884   | 13.2               | 90    | 565   | 1683   | 4710   |      |   |
|                      |                              |  | 3 V              | 6     | 42    | 264   | 775    | 2147   | 15.5               | 106   | 660   | 1938   | 5368   |      |   |
|                      |                              |  | 3.6 V            | 10    | 58    | 323   | 919    | 2488   | 25.8               | 144   | 808   | 2298   | 6220   |      |   |
|                      |                              | RTC enabled and clocked by LSE bypassed at 32768 Hz  | 1.8 V            | 183   | 201   | 367   | 729    | -      | -                  | -     | -     | -      | -      |      | - |
|                      |                              |  | 2.4 V            | 268   | 295   | 486   | 901    | -      | -                  | -     | -     | -      | -      |      | - |
|                      |                              |  | 3 V              | 376   | 412   | 602   | 1075   | -      | -                  | -     | -     | -      | -      |      | - |
|                      |                              |  | 3.6 V            | 508   | 558   | 752   | 1299   | -      | -                  | -     | -     | -      | -      |      | - |
|                      |                              | RTC enabled and clocked by LSE quartz <sup>(2)</sup> | 1.8 V            | 302   | 344   | 521   | 915    | 1978   | -                  | -     | -     | -      | -      |      | - |
|                      |                              |  | 2.4 V            | 388   | 436   | 639   | 1091   | 2289   | -                  | -     | -     | -      | -      |      | - |
|                      |                              |  | 3 V              | 494   | 549   | 784   | 1301   | 2656   | -                  | -     | -     | -      | -      |      | - |
|                      |                              |  | 3.6 V            | 630   | 692   | 971   | 1571   | 3115   | -                  | -     | -     | -      | -      |      | - |

1. Guaranteed by characterization results, unless otherwise specified.

2. Based on characterization done with a 32.768 kHz crystal (MC306-G-06Q-32.768, manufacturer JFVNY) with two 6.8 pF loading capacitors.

### I/O system current consumption

The current consumption of the I/O system has two components: static and dynamic.

#### I/O static current consumption

All the I/Os used as inputs with pull-up generate current consumption when the pin is externally held low. The value of this current consumption can be simply computed by using the pull-up/pull-down resistors values given in [Table 70: I/O static characteristics](#).

For the output pins, any external pull-down or external load must also be considered to estimate the current consumption.

Additional I/O current consumption is due to I/Os configured as inputs if an intermediate voltage level is externally applied. This current consumption is caused by the input Schmitt trigger circuits used to discriminate the input value. Unless this specific configuration is required by the application, this supply current consumption can be avoided by configuring these I/Os in analog mode. This is notably the case of ADC input pins which should be configured as analog inputs.

**Caution:** Any floating input pin can also settle to an intermediate voltage level or switch inadvertently, as a result of external electromagnetic noise. To avoid current consumption related to floating pins, they must either be configured in analog mode, or forced internally to a definite digital value. This can be done either by using pull-up/down resistors or by configuring the pins in output mode.

#### I/O dynamic current consumption

In addition to the internal peripheral current consumption measured previously (see [Table 51: Peripheral current consumption](#)), the I/Os used by an application also contribute to the current consumption. When an I/O pin switches, it uses the current from the I/O supply voltage to supply the I/O pin circuitry and to charge/discharge the capacitive load (internal or external) connected to the pin:

$$I_{SW} = V_{DDIOx} \times f_{SW} \times C$$

where

$I_{SW}$  is the current sunk by a switching I/O to charge/discharge the capacitive load

$V_{DDIOx}$  is the I/O supply voltage

$f_{SW}$  is the I/O switching frequency

$C$  is the total capacitance seen by the I/O pin:  $C = C_{INT} + C_{EXT} + C_S$

$C_S$  is the PCB board capacitance including the pad pin.

The test pin is configured in push-pull output mode and is toggled by software at a fixed frequency.

**On-chip peripheral current consumption**

The current consumption of the on-chip peripherals is given in [Table 51](#). The MCU is placed under the following conditions:

- All I/O pins are in Analog mode
- The given value is calculated by measuring the difference of the current consumptions:
  - when the peripheral is clocked on
  - when the peripheral is clocked off
- Ambient operating temperature and supply voltage conditions summarized in [Table 20: Voltage characteristics](#)
- The power consumption of the digital part of the on-chip peripherals is given in [Table 51](#). The power consumption of the analog part of the peripherals (where applicable) is indicated in each related section of the datasheet.

**Table 51. Peripheral current consumption**

| Peripheral                   |                                 | Range 1 | Range 2 | Low-power run and sleep | Unit   |
|------------------------------|---------------------------------|---------|---------|-------------------------|--------|
| AHB                          | Bus Matrix <sup>(1)</sup>       | 4.5     | 3.7     | 4.1                     | µA/MHz |
|                              | ADC independent clock domain    | 0.4     | 0.1     | 0.2                     |        |
|                              | ADC AHB clock domain            | 5.5     | 4.7     | 5.5                     |        |
|                              | AES                             | 1.7     | 1.5     | 1.6                     |        |
|                              | CRC                             | 0.4     | 0.2     | 0.3                     |        |
|                              | DMA1                            | 1.4     | 1.3     | 1.4                     |        |
|                              | DMA2                            | 1.5     | 1.3     | 1.4                     |        |
|                              | FLASH                           | 6.2     | 5.2     | 5.8                     |        |
|                              | FMC                             | 8.9     | 7.5     | 8.4                     |        |
|                              | GPIOA <sup>(2)</sup>            | 4.8     | 3.8     | 4.4                     |        |
|                              | GPIOB <sup>(2)</sup>            | 4.8     | 4.0     | 4.6                     |        |
|                              | GPIOC <sup>(2)</sup>            | 4.5     | 3.8     | 4.3                     |        |
|                              | GPIOD <sup>(2)</sup>            | 4.6     | 3.9     | 4.4                     |        |
|                              | GPIOE <sup>(2)</sup>            | 5.2     | 4.5     | 4.9                     |        |
|                              | GPIOF <sup>(2)</sup>            | 5.9     | 4.9     | 5.7                     |        |
|                              | GPIOG <sup>(2)</sup>            | 4.3     | 3.8     | 4.2                     |        |
|                              | GPIOH <sup>(2)</sup>            | 0.7     | 0.6     | 0.8                     |        |
|                              | OTG_FS independent clock domain | 23.2    | N/A     | N/A                     |        |
|                              | OTG_FS AHB clock domain         | 16.4    | N/A     | N/A                     |        |
|                              | QUADSPI                         | 7.8     | 6.7     | 7.3                     |        |
| RNG independent clock domain | 2.2                             | N/A     | N/A     |                         |        |
| RNG AHB clock domain         | 0.6                             | N/A     | N/A     |                         |        |
| SRAM1                        | 0.9                             | 0.8     | 0.9     |                         |        |



Table 51. Peripheral current consumption (continued)

| Peripheral |                                   | Range 1 | Range 2 | Low-power run and sleep | Unit   |
|------------|-----------------------------------|---------|---------|-------------------------|--------|
| AHB        | SRAM2                             | 1.6     | 1.4     | 1.6                     | μA/MHz |
|            | TSC                               | 1.8     | 1.4     | 1.6                     |        |
|            | All AHB Peripherals               | 118.5   | 77.3    | 87.6                    |        |
| APB1       | AHB to APB1 bridge <sup>(3)</sup> | 0.9     | 0.7     | 0.9                     | μA/MHz |
|            | CAN1                              | 4.6     | 4.0     | 4.4                     |        |
|            | DAC1                              | 2.4     | 1.9     | 2.2                     |        |
|            | I2C1 independent clock domain     | 3.7     | 3.1     | 3.2                     |        |
|            | I2C1 APB clock domain             | 1.3     | 1.1     | 1.5                     |        |
|            | I2C2 independent clock domain     | 3.7     | 3.0     | 3.2                     |        |
|            | I2C2 APB clock domain             | 1.4     | 1.1     | 1.5                     |        |
|            | I2C3 independent clock domain     | 2.9     | 2.3     | 2.5                     |        |
|            | I2C3 APB clock domain             | 0.9     | 0.9     | 1.1                     |        |
|            | LCD                               | 1.0     | 0.8     | 0.9                     |        |
|            | LPUART1 independent clock domain  | 2.1     | 1.6     | 2.0                     |        |
|            | LPUART1 APB clock domain          | 0.6     | 0.6     | 0.6                     |        |
|            | LPTIM1 independent clock domain   | 3.3     | 2.6     | 2.9                     |        |
|            | LPTIM1 APB clock domain           | 0.9     | 0.8     | 1.0                     |        |
|            | LPTIM2 independent clock domain   | 3.1     | 2.7     | 2.9                     |        |
|            | LPTIM2 APB clock domain           | 0.8     | 0.6     | 0.7                     |        |
|            | OPAMP                             | 0.4     | 0.4     | 0.3                     |        |
|            | PWR                               | 0.5     | 0.5     | 0.4                     |        |
|            | SPI2                              | 1.8     | 1.6     | 1.6                     |        |
|            | SPI3                              | 2.1     | 1.7     | 1.8                     |        |
|            | SWPMI1 independent clock domain   | 2.3     | 1.8     | 2.2                     |        |
|            | SWPMI1 APB clock domain           | 1.1     | 1.1     | 1.0                     |        |
|            | TIM2                              | 6.8     | 5.7     | 6.3                     |        |
|            | TIM3                              | 5.4     | 4.6     | 5.0                     |        |
|            | TIM4                              | 5.2     | 4.4     | 4.9                     |        |
|            | TIM5                              | 6.5     | 5.5     | 6.1                     |        |
| TIM6       | 1.1                               | 1.0     | 1.0     |                         |        |
| TIM7       | 1.1                               | 0.9     | 1.0     |                         |        |

Table 51. Peripheral current consumption (continued)

| Peripheral |                                   | Range 1 | Range 2 | Low-power run and sleep | Unit   |
|------------|-----------------------------------|---------|---------|-------------------------|--------|
| APB1       | USART2 independent clock domain   | 4.1     | 3.6     | 3.8                     | μA/MHz |
|            | USART2 APB clock domain           | 1.4     | 1.1     | 1.5                     |        |
|            | USART3 independent clock domain   | 4.7     | 4.1     | 4.2                     |        |
|            | USART3 APB clock domain           | 1.5     | 1.3     | 1.7                     |        |
|            | UART4 independent clock domain    | 3.9     | 3.2     | 3.5                     |        |
|            | UART4 APB clock domain            | 1.5     | 1.3     | 1.6                     |        |
|            | UART5 independent clock domain    | 3.9     | 3.2     | 3.5                     |        |
|            | UART5 APB clock domain            | 1.3     | 1.2     | 1.4                     |        |
|            | WWDG                              | 0.5     | 0.5     | 0.5                     |        |
|            | All APB1 on                       | 84.2    | 70.7    | 80.2                    |        |
| APB2       | AHB to APB2 bridge <sup>(4)</sup> | 1.0     | 0.9     | 0.9                     |        |
|            | DFSDM1                            | 5.6     | 4.6     | 5.3                     |        |
|            | FW                                | 0.7     | 0.5     | 0.7                     |        |
|            | SAI1 independent clock domain     | 2.6     | 2.1     | 2.3                     |        |
|            | SAI1 APB clock domain             | 2.1     | 1.8     | 2.0                     |        |
|            | SAI2 independent clock domain     | 3.3     | 2.7     | 3.0                     |        |
|            | SAI2 APB clock domain             | 2.4     | 2.1     | 2.2                     |        |
|            | SDMMC1 independent clock domain   | 4.7     | 3.9     | 4.2                     |        |
|            | SDMMC1 APB clock domain           | 2.5     | 1.9     | 2.1                     |        |
|            | SPI1                              | 2.0     | 1.6     | 1.9                     |        |
|            | SYSCFG/VREFBUF/COMP               | 0.6     | 0.4     | 0.5                     |        |
|            | TIM1                              | 8.3     | 6.9     | 7.9                     |        |
|            | TIM8                              | 8.6     | 7.1     | 8.1                     |        |
|            | TIM15                             | 4.1     | 3.4     | 3.9                     |        |
|            | TIM16                             | 3.0     | 2.5     | 2.9                     |        |
|            | TIM17                             | 3.0     | 2.4     | 2.9                     |        |
|            | USART1 independent clock domain   | 4.9     | 4.0     | 4.4                     |        |
|            | USART1 APB clock domain           | 1.5     | 1.3     | 1.7                     |        |
|            | All APB2 on                       | 56.8    | 43.3    | 48.2                    |        |
| ALL        |                                   | 256.8   | 189.6   | 215.5                   |        |



1. The BusMatrix is automatically active when at least one master is ON (CPU, DMA).
2. The GPIOx (x= A...H) dynamic current consumption is approximately divided by a factor two versus this table values when the GPIO port is locked thanks to LCKK and LCKy bits in the GPIOx\_LCKR register. In order to save the full GPIOx current consumption, the GPIOx clock should be disabled in the RCC when all port I/Os are used in alternate function or analog mode (clock is only required to read or write into GPIO registers, and is not used in AF or analog modes).
3. The AHB to APB1 Bridge is automatically active when at least one peripheral is ON on the APB1.
4. The AHB to APB2 Bridge is automatically active when at least one peripheral is ON on the APB2.

The consumption for the peripherals when using SMPS can be found using STM32CubeMX PCC tool.

### 6.3.6 Wakeup time from low-power modes and voltage scaling transition times

The wakeup times given in [Table 52](#) are the latency between the event and the execution of the first user instruction.

The device goes in low-power mode after the WFE (Wait For Event) instruction.

**Table 52. Low-power mode wakeup timings<sup>(1)</sup>**

| Symbol          | Parameter   | Conditions  | Typ                         | Max   | Unit             |    |
|-----------------|---|---|-----------------------------|-------|------------------|----|
| $t_{WUSLEEP}$   | Wakeup time from Sleep mode to Run mode                     | -   | 6                           | 6     | Nb of CPU cycles |    |
| $t_{WULPSLEEP}$ | Wakeup time from Low-power sleep mode to Low-power run mode | Wakeup in Flash with Flash in power-down during low-power sleep mode (SLEEP_PD=1 in FLASH_ACR) and with clock MSI = 2 MHz | 6                           | 9.3   |                  |    |
| $t_{WUSTOP0}$   | Wake up time from Stop 0 mode to Run mode in Flash          | Range 1   | Wakeup clock MSI = 48 MHz   | 5.6   | 10.9             | μs |
|                 |   |   | Wakeup clock HSI16 = 16 MHz | 4.7   | 10.4             |    |
|                 |   | Range 2   | Wakeup clock MSI = 24 MHz   | 5.7   | 11.1             |    |
|                 |   |   | Wakeup clock HSI16 = 16 MHz | 4.5   | 10.5             |    |
|                 | Wake up time from Stop 0 mode to Run mode in SRAM1          | Range 1   | Wakeup clock MSI = 48 MHz   | 0.7   | 2.05             |    |
|                 |   |   | Wakeup clock HSI16 = 16 MHz | 1.7   | 2.8              |    |
|                 |   | Range 2   | Wakeup clock MSI = 24 MHz   | 0.8   | 2.72             |    |
|                 |   |   | Wakeup clock HSI16 = 16 MHz | 1.7   | 2.8              |    |
|                 |   | Wakeup clock MSI = 4 MHz  | 2.4                         | 11.32 |                  |    |

Table 52. Low-power mode wakeup timings<sup>(1)</sup> (continued)

| Symbol                    | Parameter  | Conditions   |                             | Typ                       | Max   | Unit |
|---------------------------|--|--|-----------------------------|---------------------------|-------|------|
| t <sub>WUSTOP1</sub>      | Wake up time from Stop 1 mode to Run mode in Flash           | Range 1  | Wakeup clock MSI = 48 MHz   | 6.2                       | 10.2  | μs   |
|                           |  |  | Wakeup clock HSI16 = 16 MHz | 6.3                       | 8.99  |      |
|                           |  | Range 2  | Wakeup clock MSI = 24 MHz   | 6.3                       | 10.46 |      |
|                           |  |  | Wakeup clock HSI16 = 16 MHz | 6.3                       | 8.87  |      |
|                           |  |  | Wakeup clock MSI = 4 MHz    | 8.0                       | 13.23 |      |
|                           |  | Wake up time from Stop 1 mode to Run mode in SRAM1 | Range 1                     | Wakeup clock MSI = 48 MHz | 4.5   |      |
|                           | Wakeup clock HSI16 = 16 MHz                                  |  |                             | 5.5                       | 7.1   |      |
|                           | Range 2  |  | Wakeup clock MSI = 24 MHz   | 5.0                       | 6.5   |      |
|                           |  |  | Wakeup clock HSI16 = 16 MHz | 5.5                       | 7.1   |      |
|                           | Wake up time from Stop 1 mode to Low-power run mode in Flash | Regulator in low-power mode (LPR=1 in PWR_CR1)     | Wakeup clock MSI = 2 MHz    | 12.7                      | 20    |      |
| 10.7                      |  |  |                             | 21.5                      |       |      |
| t <sub>WUSTOP2</sub>      | Wake up time from Stop 2 mode to Run mode in Flash           | Range 1  | Wakeup clock MSI = 48 MHz   | 8.0                       | 9.4   | μs   |
|                           |  |  | Wakeup clock HSI16 = 16 MHz | 7.3                       | 9.3   |      |
|                           |  | Range 2  | Wakeup clock MSI = 24 MHz   | 8.2                       | 9.9   |      |
|                           |  |  | Wakeup clock HSI16 = 16 MHz | 7.3                       | 9.3   |      |
|                           |  |  | Wakeup clock MSI = 4 MHz    | 10.6                      | 15.8  |      |
|                           |  | Wake up time from Stop 2 mode to Run mode in SRAM1 | Range 1                     | Wakeup clock MSI = 48 MHz | 5.1   |      |
|                           | Wakeup clock HSI16 = 16 MHz                                  |  |                             | 5.7                       | 8     |      |
|                           | Range 2  |  | Wakeup clock MSI = 24 MHz   | 5.5                       | 6.65  |      |
|                           |  |  | Wakeup clock HSI16 = 16 MHz | 5.7                       | 7.53  |      |
|                           | Wake up time from Stop 2 mode to Run mode in SRAM1           | Range 2  | Wakeup clock MSI = 4 MHz    | 8.2                       | 16.6  |      |
|                           |  |  |                             |                           |       |      |
| t <sub>WUSTBY</sub>       | Wakeup time from Standby mode to Run mode                    | Range 1  | Wakeup clock MSI = 8 MHz    | 14.3                      | 20.8  | μs   |
|                           |  |  | Wakeup clock MSI = 4 MHz    | 20.1                      | 35.5  |      |
| t <sub>WUSTBY SRAM2</sub> | Wakeup time from Standby with SRAM2 to Run mode              | Range 1  | Wakeup clock MSI = 8 MHz    | 14.3                      | 24.3  | μs   |
|                           |  |  | Wakeup clock MSI = 4 MHz    | 20.1                      | 38.5  |      |
| t <sub>WUSHDN</sub>       | Wakeup time from Shutdown mode to Run mode                   | Range 1  | Wakeup clock MSI = 4 MHz    | 256                       | 330.6 | μs   |

1. Guaranteed by characterization results.



**Table 53. Regulator modes transition times<sup>(1)</sup>**

| Symbol        | Parameter  | Conditions               | Typ | Max | Unit |
|---------------|--|--------------------------|-----|-----|------|
| $t_{WULPRUN}$ | Wakeup time from Low-power run mode to Run mode <sup>(2)</sup>                         | Code run with MSI 2 MHz  | 5   | 7   | μs   |
| $t_{VOST}$    | Regulator transition time from Range 2 to Range 1 or Range 1 to Range 2 <sup>(3)</sup> | Code run with MSI 24 MHz | 20  | 40  |      |

1. Guaranteed by characterization results.
2. Time until REGLPF flag is cleared in PWR\_SR2.
3. Time until VOSF flag is cleared in PWR\_SR2.

**Table 54. Wakeup time using USART/LPUART<sup>(1)</sup>**

| Symbol                          | Parameter  | Conditions                  | Typ | Max | Unit |
|---------------------------------|--|-----------------------------|-----|-----|------|
| $t_{WUUSART}$<br>$t_{WULPUART}$ | Wakeup time needed to calculate the maximum USART/LPUART baudrate allowing to wakeup up from stop mode when USART/LPUART clock source is HSI16 | Stop 0 mode                 | -   | 1.7 | μs   |
|                                 |  | Stop 1 mode and Stop 2 mode | -   | 8.5 |      |

1. Guaranteed by design.

### 6.3.7 External clock source characteristics

#### High-speed external user clock generated from an external source

In bypass mode the HSE oscillator is switched off and the input pin is a standard GPIO.

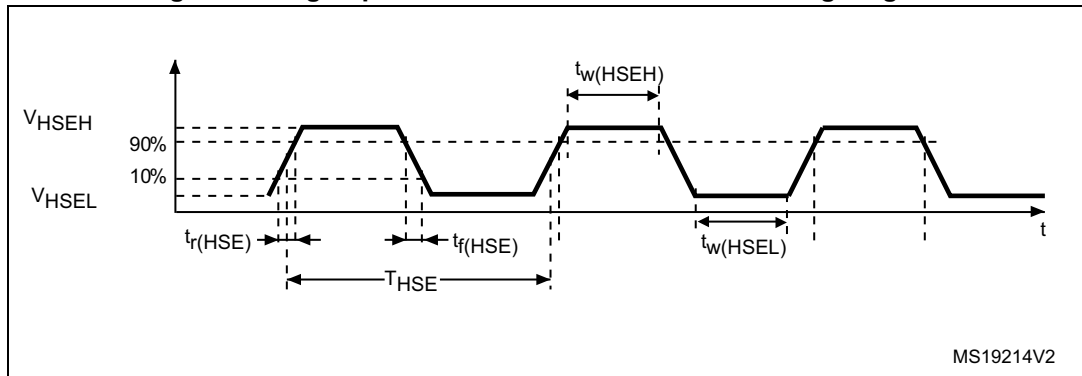
The external clock signal has to respect the I/O characteristics in [Section 6.3.14](#). However, the recommended clock input waveform is shown in [Figure 20: High-speed external clock source AC timing diagram](#).

**Table 55. High-speed external user clock characteristics<sup>(1)</sup>**

| Symbol                         | Parameter                            | Conditions              | Min             | Typ | Max             | Unit |
|--------------------------------|--------------------------------------|-------------------------|-----------------|-----|-----------------|------|
| $f_{HSE\_ext}$                 | User external clock source frequency | Voltage scaling Range 1 | -               | 8   | 48              | MHz  |
|                                |                                      | Voltage scaling Range 2 | -               | 8   | 26              |      |
| $V_{HSEH}$                     | OSC_IN input pin high level voltage  | -                       | $0.7 V_{DDIOx}$ | -   | $V_{DDIOx}$     | V    |
| $V_{HSEL}$                     | OSC_IN input pin low level voltage   | -                       | $V_{SS}$        | -   | $0.3 V_{DDIOx}$ |      |
| $t_{w(HSEH)}$<br>$t_{w(HSEL)}$ | OSC_IN high or low time              | Voltage scaling Range 1 | 7               | -   | -               | ns   |
|                                |                                      | Voltage scaling Range 2 | 18              | -   | -               |      |

1. Guaranteed by design.

Figure 20. High-speed external clock source AC timing diagram



**Low-speed external user clock generated from an external source**

In bypass mode the LSE oscillator is switched off and the input pin is a standard GPIO.

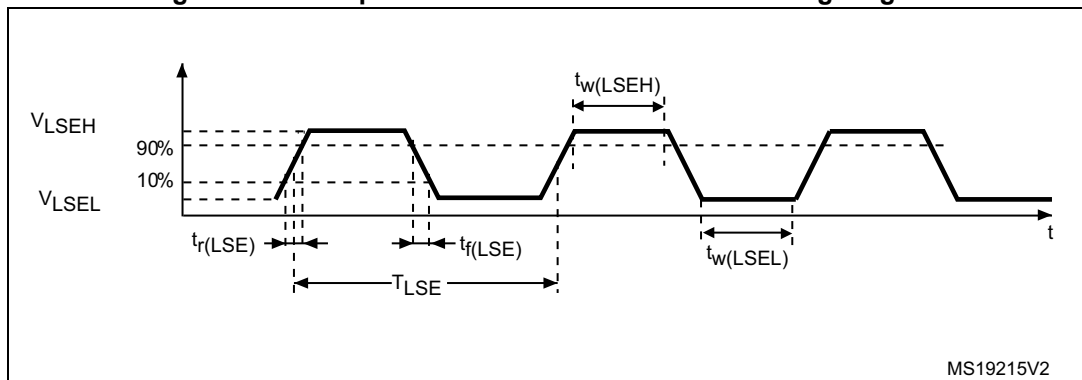
The external clock signal has to respect the I/O characteristics in [Section 6.3.14](#). However, the recommended clock input waveform is shown in [Figure 21](#).

Table 56. Low-speed external user clock characteristics<sup>(1)</sup>

| Symbol                     | Parameter                             | Conditions | Min             | Typ    | Max             | Unit |
|----------------------------|---------------------------------------|------------|-----------------|--------|-----------------|------|
| $f_{LSE\_ext}$             | User external clock source frequency  | -          | -               | 32.768 | 1000            | kHz  |
| $V_{LSEH}$                 | OSC32_IN input pin high level voltage | -          | $0.7 V_{DDIOx}$ | -      | $V_{DDIOx}$     | V    |
| $V_{LSEL}$                 | OSC32_IN input pin low level voltage  | -          | $V_{SS}$        | -      | $0.3 V_{DDIOx}$ |      |
| $t_w(LSEH)$<br>$t_w(LSEL)$ | OSC32_IN high or low time             | -          | 250             | -      | -               | ns   |

1. Guaranteed by design.

Figure 21. Low-speed external clock source AC timing diagram



### High-speed external clock generated from a crystal/ceramic resonator

The high-speed external (HSE) clock can be supplied with a 4 to 48 MHz crystal/ceramic resonator oscillator. All the information given in this paragraph are based on design simulation results obtained with typical external components specified in [Table 57](#). In the application, the resonator and the load capacitors have to be placed as close as possible to the oscillator pins in order to minimize output distortion and startup stabilization time. Refer to the crystal resonator manufacturer for more details on the resonator characteristics (frequency, package, accuracy).

**Table 57. HSE oscillator characteristics<sup>(1)</sup>**

| Symbol              | Parameter                                 | Conditions <sup>(2)</sup>  | Min | Typ  | Max | Unit       |
|---------------------|---|--|-----|------|-----|------------|
| $f_{OSC\_IN}$       | Oscillator frequency                      | -  | 4   | 8    | 48  | MHz        |
| $R_F$               | Feedback resistor                         | -  | -   | 200  | -   | k $\Omega$ |
| $I_{DD(HSE)}$       | HSE current consumption                   | During startup <sup>(3)</sup>  | -   | -    | 5.5 | mA         |
|                     |   | $V_{DD} = 3\text{ V}$ ,<br>$R_m = 30\ \Omega$ ,<br>$CL = 10\text{ pF}@8\text{ MHz}$  | -   | 0.44 | -   |            |
|                     |   | $V_{DD} = 3\text{ V}$ ,<br>$R_m = 45\ \Omega$ ,<br>$CL = 10\text{ pF}@8\text{ MHz}$  | -   | 0.45 | -   |            |
|                     |   | $V_{DD} = 3\text{ V}$ ,<br>$R_m = 30\ \Omega$ ,<br>$CL = 5\text{ pF}@48\text{ MHz}$  | -   | 0.68 | -   |            |
|                     |   | $V_{DD} = 3\text{ V}$ ,<br>$R_m = 30\ \Omega$ ,<br>$CL = 10\text{ pF}@48\text{ MHz}$ | -   | 0.94 | -   |            |
|                     |   | $V_{DD} = 3\text{ V}$ ,<br>$R_m = 30\ \Omega$ ,<br>$CL = 20\text{ pF}@48\text{ MHz}$ | -   | 1.77 | -   |            |
| $G_m$               | Maximum critical crystal transconductance | Startup  | -   | -    | 1.5 | mA/V       |
| $t_{SU(HSE)}^{(4)}$ | Startup time                              | $V_{DD}$ is stabilized   | -   | 2    | -   | ms         |

1. Guaranteed by design.
2. Resonator characteristics given by the crystal/ceramic resonator manufacturer.
3. This consumption level occurs during the first 2/3 of the  $t_{SU(HSE)}$  startup time
4.  $t_{SU(HSE)}$  is the startup time measured from the moment it is enabled (by software) to a stabilized 8 MHz oscillation is reached. This value is measured for a standard crystal resonator and it can vary significantly with the crystal manufacturer

For  $C_{L1}$  and  $C_{L2}$ , it is recommended to use high-quality external ceramic capacitors in the 5 pF to 20 pF range (typ.), designed for high-frequency applications, and selected to match the requirements of the crystal or resonator (see [Figure 22](#)).  $C_{L1}$  and  $C_{L2}$  are usually the same size. The crystal manufacturer typically specifies a load capacitance which is the series combination of  $C_{L1}$  and  $C_{L2}$ . PCB and MCU pin capacitance must be included (10 pF can be used as a rough estimate of the combined pin and board capacitance) when sizing  $C_{L1}$  and  $C_{L2}$ .

Note: For information on selecting the crystal, refer to the application note AN2867 "Oscillator design guide for ST microcontrollers" available from the ST website [www.st.com](http://www.st.com).

Figure 22. Typical application with an 8 MHz crystal



1.  $R_{EXT}$  value depends on the crystal characteristics.

**Low-speed external clock generated from a crystal resonator**

The low-speed external (LSE) clock can be supplied with a 32.768 kHz crystal resonator oscillator. All the information given in this paragraph are based on design simulation results obtained with typical external components specified in Table 58. In the application, the resonator and the load capacitors have to be placed as close as possible to the oscillator pins in order to minimize output distortion and startup stabilization time. Refer to the crystal resonator manufacturer for more details on the resonator characteristics (frequency, package, accuracy).

Table 58. LSE oscillator characteristics ( $f_{LSE} = 32.768 \text{ kHz}$ )<sup>(1)</sup>

| Symbol                       | Parameter                   | Conditions <sup>(2)</sup>                        | Min | Typ | Max  | Unit      |
|------------------------------|-----------------------------|--|-----|-----|------|-----------|
| $I_{DD(LSE)}$                | LSE current consumption     | LSEDRV[1:0] = 00<br>Low drive capability         | -   | 250 | -    | nA        |
|                              |                             | LSEDRV[1:0] = 01<br>Medium low drive capability  | -   | 315 | -    |           |
|                              |                             | LSEDRV[1:0] = 10<br>Medium high drive capability | -   | 500 | -    |           |
|                              |                             | LSEDRV[1:0] = 11<br>High drive capability        | -   | 630 | -    |           |
| $G_{m_{critmax}}$            | Maximum critical crystal gm | LSEDRV[1:0] = 00<br>Low drive capability         | -   | -   | 0.5  | $\mu A/V$ |
|                              |                             | LSEDRV[1:0] = 01<br>Medium low drive capability  | -   | -   | 0.75 |           |
|                              |                             | LSEDRV[1:0] = 10<br>Medium high drive capability | -   | -   | 1.7  |           |
|                              |                             | LSEDRV[1:0] = 11<br>High drive capability        | -   | -   | 2.7  |           |
| $t_{SU(LSE)}$ <sup>(3)</sup> | Startup time                | $V_{DD}$ is stabilized                           | -   | 2   | -    | s         |

1. Guaranteed by design.
2. Refer to the note and caution paragraphs below the table, and to the application note AN2867 "Oscillator design guide for ST microcontrollers".
3.  $t_{SU(LSE)}$  is the startup time measured from the moment it is enabled (by software) to a stabilized 32.768 kHz oscillation is reached. This value is measured for a standard crystal and it can vary significantly with the crystal manufacturer

**Note:** For information on selecting the crystal, refer to the application note AN2867 "Oscillator design guide for ST microcontrollers" available from the ST website [www.st.com](http://www.st.com).

**Figure 23. Typical application with a 32.768 kHz crystal**



**Note:** An external resistor is not required between  $OSC32\_IN$  and  $OSC32\_OUT$  and it is forbidden to add one.

### 6.3.8 Internal clock source characteristics

The parameters given in [Table 59](#) are derived from tests performed under ambient temperature and supply voltage conditions summarized in [Table 23: General operating conditions](#). The provided curves are characterization results, not tested in production.

#### High-speed internal (HSI16) RC oscillator

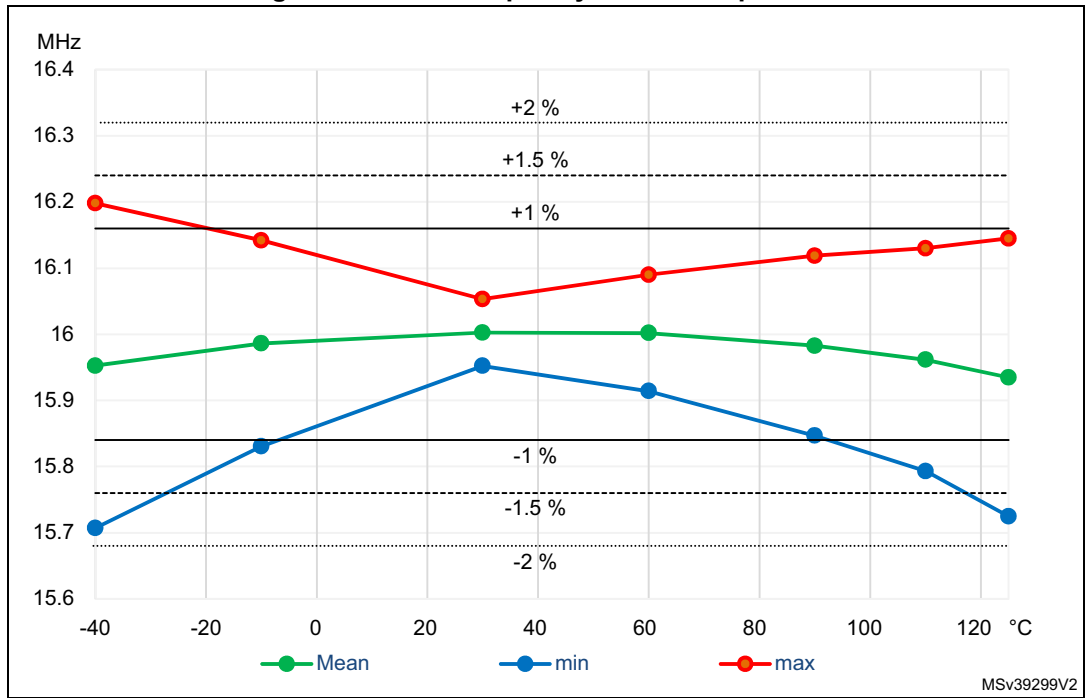
**Table 59. HSI16 oscillator characteristics<sup>(1)</sup>**

| Symbol                                | Parameter   | Conditions   | Min   | Typ | Max   | Unit          |
|---------------------------------------|---|--|-------|-----|-------|---------------|
| $f_{\text{HSI16}}$                    | HSI16 Frequency                                       | $V_{\text{DD}}=3.0\text{ V}$ , $T_{\text{A}}=30\text{ }^{\circ}\text{C}$ | 15.88 | -   | 16.08 | MHz           |
| TRIM                                  | HSI16 user trimming step                              | Trimming code is not a multiple of 64                                    | 0.2   | 0.3 | 0.4   | %             |
|                                       |   | Trimming code is a multiple of 64  | -4    | -6  | -8    |               |
| $\text{DuCy}(\text{HSI16})^{(2)}$     | Duty Cycle  | -  | 45    | -   | 55    | %             |
| $\Delta_{\text{Temp}}(\text{HSI16})$  | HSI16 oscillator frequency drift over temperature     | $T_{\text{A}}=0\text{ to }85\text{ }^{\circ}\text{C}$                    | -1    | -   | 1     | %             |
|                                       |   | $T_{\text{A}}=-40\text{ to }125\text{ }^{\circ}\text{C}$                 | -2    | -   | 1.5   | %             |
| $\Delta_{\text{VDD}}(\text{HSI16})$   | HSI16 oscillator frequency drift over $V_{\text{DD}}$ | $V_{\text{DD}}=1.62\text{ V to }3.6\text{ V}$                            | -0.1  | -   | 0.05  | %             |
| $t_{\text{su}}(\text{HSI16})^{(2)}$   | HSI16 oscillator start-up time                        | -  | -     | 0.8 | 1.2   | $\mu\text{s}$ |
| $t_{\text{stab}}(\text{HSI16})^{(2)}$ | HSI16 oscillator stabilization time                   | -  | -     | 3   | 5     | $\mu\text{s}$ |
| $I_{\text{DD}}(\text{HSI16})^{(2)}$   | HSI16 oscillator power consumption                    | -  | -     | 155 | 190   | $\mu\text{A}$ |

1. Guaranteed by characterization results.
2. Guaranteed by design.



Figure 24. HSI16 frequency versus temperature



Multi-speed internal (MSI) RC oscillator

Table 60. MSI oscillator characteristics<sup>(1)</sup>

| Symbol                                 | Parameter   | Conditions                   | Min                            | Typ  | Max     | Unit  |     |
|--|---|------------------------------|--------------------------------|------|---------|-------|-----|
| f <sub>MSI</sub>                       | MSI frequency after factory calibration, done at V <sub>DD</sub> =3 V and T <sub>A</sub> =30 °C | MSI mode                     | Range 0                        | 99   | 100     | 101   | kHz |
|  |   |                              | Range 1                        | 198  | 200     | 202   |     |
|  |   |                              | Range 2                        | 396  | 400     | 404   |     |
|  |   |                              | Range 3                        | 792  | 800     | 808   |     |
|  |   |                              | Range 4                        | 0.99 | 1       | 1.01  | MHz |
|  |   |                              | Range 5                        | 1.98 | 2       | 2.02  |     |
|  |   |                              | Range 6                        | 3.96 | 4       | 4.04  |     |
|  |   |                              | Range 7                        | 7.92 | 8       | 8.08  |     |
|  |   |                              | Range 8                        | 15.8 | 16      | 16.16 |     |
|  |   |                              | Range 9                        | 23.8 | 24      | 24.4  |     |
|  |   |                              | Range 10                       | 31.7 | 32      | 32.32 |     |
|  |   | Range 11                     | 47.5                           | 48   | 48.48   |       |     |
|  |   | PLL mode<br>XTAL= 32.768 kHz | Range 0                        | -    | 98.304  | -     | kHz |
|  |   |                              | Range 1                        | -    | 196.608 | -     |     |
|  |   |                              | Range 2                        | -    | 393.216 | -     |     |
|  |   |                              | Range 3                        | -    | 786.432 | -     |     |
|  |   |                              | Range 4                        | -    | 1.016   | -     | MHz |
|  |   |                              | Range 5                        | -    | 1.999   | -     |     |
|  |   |                              | Range 6                        | -    | 3.998   | -     |     |
|  |   |                              | Range 7                        | -    | 7.995   | -     |     |
|  |   |                              | Range 8                        | -    | 15.991  | -     |     |
|  |   |                              | Range 9                        | -    | 23.986  | -     |     |
| Range 10                               | -   |                              | 32.014                         | -    |         |       |     |
| Range 11                               | -   | 48.005                       | -                              |      |         |       |     |
| Δ <sub>TEMP</sub> (MSI) <sup>(2)</sup> | MSI oscillator frequency drift over temperature   | MSI mode                     | T <sub>A</sub> = -0 to 85 °C   | -3.5 | -       | 3     | %   |
|  |   |                              | T <sub>A</sub> = -40 to 125 °C | -8   | -       | 6     |     |

Table 60. MSI oscillator characteristics<sup>(1)</sup> (continued)

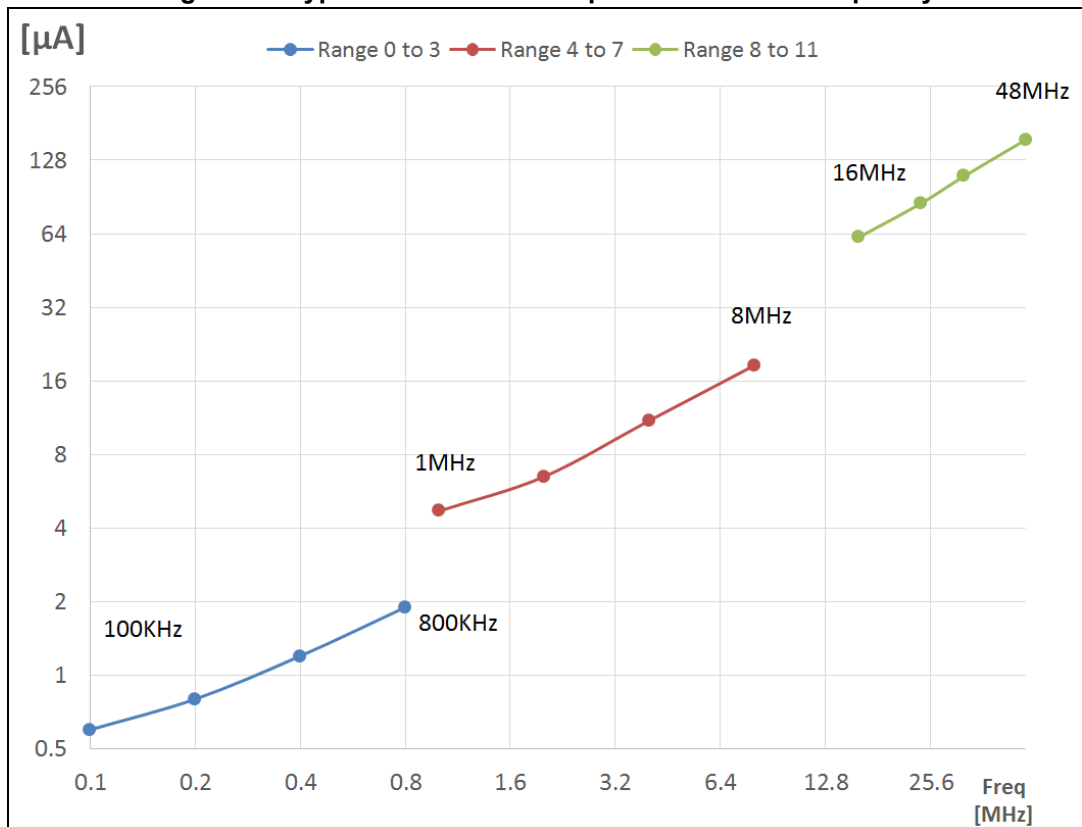
| Symbol  | Parameter   | Conditions        |                         | Min                      | Typ  | Max  | Unit  |    |
|---|---|-------------------|-------------------------|--------------------------|------|------|-------|----|
| $\Delta V_{DD}(MSI)^{(2)}$                    | MSI oscillator frequency drift over $V_{DD}$ (reference is 3 V) | MSI mode          | Range 0 to 3            | $V_{DD}=1.62$ V to 3.6 V | -1.2 | -    | 0.5   | %  |
|   |   |                   |                         | $V_{DD}=2.4$ V to 3.6 V  | -0.5 | -    |       |    |
|   |   |                   | Range 4 to 7            | $V_{DD}=1.62$ V to 3.6 V | -2.5 | -    | 0.7   |    |
|   |   |                   |                         | $V_{DD}=2.4$ V to 3.6 V  | -0.8 | -    |       |    |
|   |   |                   | Range 8 to 11           | $V_{DD}=1.62$ V to 3.6 V | -5   | -    | 1     |    |
|   |   |                   |                         | $V_{DD}=2.4$ V to 3.6 V  | -1.6 | -    |       |    |
| $\Delta F_{SAMPLING}(MSI)^{(2)(6)}$           | Frequency variation in sampling mode <sup>(3)</sup>             | MSI mode          | $T_A = -40$ to $85$ °C  |                          | -    | 1    | 2     | %  |
|   |   |                   | $T_A = -40$ to $125$ °C |                          | -    | 2    | 4     |    |
| P_USB Jitter <sup>(MSI)</sup> <sup>(6)</sup>  | Period jitter for USB clock <sup>(4)</sup>                      | PLL mode Range 11 | for next transition     | -                        | -    | -    | 3.458 | ns |
|   |   |                   | for paired transition   | -                        | -    | -    | 3.916 |    |
| MT_USB Jitter <sup>(MSI)</sup> <sup>(6)</sup> | Medium term jitter for USB clock <sup>(5)</sup>                 | PLL mode Range 11 | for next transition     | -                        | -    | -    | 2     | ns |
|   |   |                   | for paired transition   | -                        | -    | -    | 1     |    |
| CC jitter <sup>(MSI)</sup> <sup>(6)</sup>     | RMS cycle-to-cycle jitter                                       | PLL mode Range 11 |                         | -                        | -    | 60   | -     | ps |
| P jitter <sup>(MSI)</sup> <sup>(6)</sup>      | RMS Period jitter   | PLL mode Range 11 |                         | -                        | -    | 50   | -     | ps |
| $t_{SU}(MSI)^{(6)}$                           | MSI oscillator start-up time                                    | Range 0           |                         | -                        | -    | 10   | 20    | us |
|   |   | Range 1           |                         | -                        | -    | 5    | 10    |    |
|   |   | Range 2           |                         | -                        | -    | 4    | 8     |    |
|   |   | Range 3           |                         | -                        | -    | 3    | 7     |    |
|   |   | Range 4 to 7      |                         | -                        | -    | 3    | 6     |    |
|   |   | Range 8 to 11     |                         | -                        | -    | 2.5  | 6     |    |
| $t_{STAB}(MSI)^{(6)}$                         | MSI oscillator stabilization time                               | PLL mode Range 11 | 10 % of final frequency | -                        | -    | 0.25 | 0.5   | ms |
|   |   |                   | 5 % of final frequency  | -                        | -    | 0.5  | 1.25  |    |
|   |   |                   | 1 % of final frequency  | -                        | -    | -    | 2.5   |    |

Table 60. MSI oscillator characteristics<sup>(1)</sup> (continued)

| Symbol                               | Parameter                        | Conditions       | Min      | Typ | Max | Unit |     |
|--------------------------------------|----------------------------------|------------------|----------|-----|-----|------|-----|
| I <sub>DD</sub> (MSI) <sup>(6)</sup> | MSI oscillator power consumption | MSI and PLL mode | Range 0  | -   | -   | 0.6  | 1   |
|                                      |                                  |                  | Range 1  | -   | -   | 0.8  | 1.2 |
|                                      |                                  |                  | Range 2  | -   | -   | 1.2  | 1.7 |
|                                      |                                  |                  | Range 3  | -   | -   | 1.9  | 2.5 |
|                                      |                                  |                  | Range 4  | -   | -   | 4.7  | 6   |
|                                      |                                  |                  | Range 5  | -   | -   | 6.5  | 9   |
|                                      |                                  |                  | Range 6  | -   | -   | 11   | 15  |
|                                      |                                  |                  | Range 7  | -   | -   | 18.5 | 25  |
|                                      |                                  |                  | Range 8  | -   | -   | 62   | 80  |
|                                      |                                  |                  | Range 9  | -   | -   | 85   | 110 |
|                                      |                                  |                  | Range 10 | -   | -   | 110  | 130 |
|                                      |                                  |                  | Range 11 | -   | -   | 155  | 190 |

1. Guaranteed by characterization results.
2. This is a deviation for an individual part once the initial frequency has been measured.
3. Sampling mode means Low-power run/Low-power sleep modes with Temperature sensor disable.
4. Average period of MSI @48 MHz is compared to a real 48 MHz clock over 28 cycles. It includes frequency tolerance + jitter of MSI @48 MHz clock.
5. Only accumulated jitter of MSI @48 MHz is extracted over 28 cycles.  
For next transition: min. and max. jitter of 2 consecutive frame of 28 cycles of the MSI @48 MHz, for 1000 captures over 28 cycles.  
For paired transitions: min. and max. jitter of 2 consecutive frame of 56 cycles of the MSI @48 MHz, for 1000 captures over 56 cycles.
6. Guaranteed by design.

Figure 25. Typical current consumption versus MSI frequency



Low-speed internal (LSI) RC oscillator

Table 61. LSI oscillator characteristics<sup>(1)</sup>

| Symbol                                 | Parameter                         | Conditions  | Min   | Typ | Max   | Unit |
|--|-----------------------------------|---|-------|-----|-------|------|
| f <sub>LSI</sub>                       | LSI Frequency                     | V <sub>DD</sub> = 3.0 V, T <sub>A</sub> = 30 °C                 | 31.04 | -   | 32.96 | kHz  |
|  |                                   | V <sub>DD</sub> = 1.62 to 3.6 V, T <sub>A</sub> = -40 to 125 °C | 29.5  | -   | 34    |      |
| t <sub>SU</sub> (LSI) <sup>(2)</sup>   | LSI oscillator start-up time      | -   | -     | 80  | 130   | µs   |
| t <sub>STAB</sub> (LSI) <sup>(2)</sup> | LSI oscillator stabilization time | 5% of final frequency   | -     | 125 | 180   | µs   |
| I <sub>DD</sub> (LSI) <sup>(2)</sup>   | LSI oscillator power consumption  | -   | -     | 110 | 180   | nA   |

- 1. Guaranteed by characterization results.
- 2. Guaranteed by design.

6.3.9 PLL characteristics

The parameters given in [Table 62](#) are derived from tests performed under temperature and V<sub>DD</sub> supply voltage conditions summarized in [Table 23: General operating conditions](#).



**Table 62. PLL, PLLSAI1, PLLSAI2 characteristics<sup>(1)</sup>**

| Symbol                 | Parameter   | Conditions              | Min    | Typ | Max | Unit |
|------------------------|---|-------------------------|--------|-----|-----|------|
| f <sub>PLL_IN</sub>    | PLL input clock <sup>(2)</sup>                          | -                       | 4      | -   | 16  | MHz  |
|                        | PLL input clock duty cycle                              | -                       | 45     | -   | 55  | %    |
| f <sub>PLL_P_OUT</sub> | PLL multiplier output clock P                           | Voltage scaling Range 1 | 2.0645 | -   | 80  | MHz  |
|                        |   | Voltage scaling Range 2 | 2.0645 | -   | 26  |      |
| f <sub>PLL_Q_OUT</sub> | PLL multiplier output clock Q                           | Voltage scaling Range 1 | 8      | -   | 80  | MHz  |
|                        |   | Voltage scaling Range 2 | 8      | -   | 26  |      |
| f <sub>PLL_R_OUT</sub> | PLL multiplier output clock R                           | Voltage scaling Range 1 | 8      | -   | 80  | MHz  |
|                        |   | Voltage scaling Range 2 | 8      | -   | 26  |      |
| f <sub>VCO_OUT</sub>   | PLL VCO output  | Voltage scaling Range 1 | 64     | -   | 344 | MHz  |
|                        |   | Voltage scaling Range 2 | 64     | -   | 128 |      |
| t <sub>LOCK</sub>      | PLL lock time   | -                       | -      | 15  | 40  | µs   |
| Jitter                 | RMS cycle-to-cycle jitter                               | System clock 80 MHz     | -      | 40  | -   | ±ps  |
|                        | RMS period jitter                                       |                         | -      | 30  | -   |      |
| I <sub>DD</sub> (PLL)  | PLL power consumption on V <sub>DD</sub> <sup>(1)</sup> | VCO freq = 64 MHz       | -      | 150 | 200 | µA   |
|                        |   | VCO freq = 96 MHz       | -      | 200 | 260 |      |
|                        |   | VCO freq = 192 MHz      | -      | 300 | 380 |      |
|                        |   | VCO freq = 344 MHz      | -      | 520 | 650 |      |

1. Guaranteed by design.
2. Take care of using the appropriate division factor M to obtain the specified PLL input clock values. The M factor is shared between the 3 PLLs.

### 6.3.10 Flash memory characteristics

**Table 63. Flash memory characteristics<sup>(1)</sup>**

| Symbol                 | Parameter                                 | Conditions         | Typ   | Max   | Unit |
|------------------------|---|--------------------|-------|-------|------|
| t <sub>prog</sub>      | 64-bit programming time                   | -                  | 81.69 | 90.76 | µs   |
| t <sub>prog_row</sub>  | one row (32 double word) programming time | normal programming | 2.61  | 2.90  | ms   |
|                        |   | fast programming   | 1.91  | 2.12  |      |
| t <sub>prog_page</sub> | one page (2 Kbyte) programming time       | normal programming | 20.91 | 23.24 | ms   |
|                        |   | fast programming   | 15.29 | 16.98 |      |
| t <sub>ERASE</sub>     | Page (2 KB) erase time                    | -                  | 22.02 | 24.47 | ms   |
| t <sub>prog_bank</sub> | one bank (512 Kbyte) programming time     | normal programming | 5.35  | 5.95  | s    |
|                        |   | fast programming   | 3.91  | 4.35  |      |
| t <sub>ME</sub>        | Mass erase time (one or two banks)        | -                  | 22.13 | 24.59 | ms   |

Table 63. Flash memory characteristics<sup>(1)</sup> (continued)

| Symbol          | Parameter                                | Conditions | Typ           | Max | Unit |
|-----------------|--|------------|---------------|-----|------|
| I <sub>DD</sub> | Average consumption from V <sub>DD</sub> | Write mode | 3.4           | -   | mA   |
|                 |  | Erase mode | 3.4           | -   |      |
|                 | Maximum current (peak)                   | Write mode | 7 (for 2 μs)  | -   |      |
|                 |  | Erase mode | 7 (for 41 μs) | -   |      |

1. Guaranteed by design.

Table 64. Flash memory endurance and data retention

| Symbol           | Parameter      | Conditions   | Min <sup>(1)</sup> | Unit    |
|------------------|----------------|--|--------------------|---------|
| N <sub>END</sub> | Endurance      | T <sub>A</sub> = -40 to +105 °C                      | 10                 | kcycles |
| t <sub>RET</sub> | Data retention | 1 kcycle <sup>(2)</sup> at T <sub>A</sub> = 85 °C    | 30                 | Years   |
|                  |                | 1 kcycle <sup>(2)</sup> at T <sub>A</sub> = 105 °C   | 15                 |         |
|                  |                | 1 kcycle <sup>(2)</sup> at T <sub>A</sub> = 125 °C   | 7                  |         |
|                  |                | 10 kcycles <sup>(2)</sup> at T <sub>A</sub> = 55 °C  | 30                 |         |
|                  |                | 10 kcycles <sup>(2)</sup> at T <sub>A</sub> = 85 °C  | 15                 |         |
|                  |                | 10 kcycles <sup>(2)</sup> at T <sub>A</sub> = 105 °C | 10                 |         |

1. Guaranteed by characterization results.

2. Cycling performed over the whole temperature range.

### 6.3.11 EMC characteristics

Susceptibility tests are performed on a sample basis during device characterization.

#### Functional EMS (electromagnetic susceptibility)

While a simple application is executed on the device (toggling 2 LEDs through I/O ports), the device is stressed by two electromagnetic events until a failure occurs. The failure is indicated by the LEDs:

- **Electrostatic discharge (ESD)** (positive and negative) is applied to all device pins until a functional disturbance occurs. This test is compliant with the IEC 61000-4-2 standard.
- **FTB**: A Burst of Fast Transient voltage (positive and negative) is applied to  $V_{DD}$  and  $V_{SS}$  through a 100 pF capacitor, until a functional disturbance occurs. This test is compliant with the IEC 61000-4-4 standard.

A device reset allows normal operations to be resumed.

The test results are given in [Table 65](#). They are based on the EMS levels and classes defined in application note AN1709.

**Table 65. EMS characteristics**

| Symbol     | Parameter   | Conditions   | Level/Class |
|------------|---|--|-------------|
| $V_{FESD}$ | Voltage limits to be applied on any I/O pin to induce a functional disturbance  | $V_{DD} = 3.3\text{ V}$ , $T_A = +25\text{ °C}$ ,<br>$f_{HCLK} = 80\text{ MHz}$ ,<br>conforming to IEC 61000-4-2 | 3B          |
| $V_{EFTB}$ | Fast transient voltage burst limits to be applied through 100 pF on $V_{DD}$ and $V_{SS}$ pins to induce a functional disturbance | $V_{DD} = 3.3\text{ V}$ , $T_A = +25\text{ °C}$ ,<br>$f_{HCLK} = 80\text{ MHz}$ ,<br>conforming to IEC 61000-4-4 | 4A          |

#### Designing hardened software to avoid noise problems

EMC characterization and optimization are performed at component level with a typical application environment and simplified MCU software. It should be noted that good EMC performance is highly dependent on the user application and the software in particular.

Therefore it is recommended that the user applies EMC software optimization and prequalification tests in relation with the EMC level requested for his application.

#### Software recommendations

The software flowchart must include the management of runaway conditions such as:

- Corrupted program counter
- Unexpected reset
- Critical Data corruption (control registers...)



**Prequalification trials**

Most of the common failures (unexpected reset and program counter corruption) can be reproduced by manually forcing a low state on the NRST pin or the Oscillator pins for 1 second.

To complete these trials, ESD stress can be applied directly on the device, over the range of specification values. When unexpected behavior is detected, the software can be hardened to prevent unrecoverable errors occurring (see application note AN1015).

**Electromagnetic Interference (EMI)**

The electromagnetic field emitted by the device are monitored while a simple application is executed (toggling 2 LEDs through the I/O ports). This emission test is compliant with IEC 61967-2 standard which specifies the test board and the pin loading.

**Table 66. EMI characteristics**

| Symbol           | Parameter  | Conditions  | Monitored frequency band | Max vs. [f <sub>HSE</sub> /f <sub>HCLK</sub> ] |                | Unit |
|------------------|------------|---|--------------------------|--|----------------|------|
|                  |            |   |                          | f <sub>MSI</sub> = 24 MHz                      | 8 MHz / 80 MHz |      |
| S <sub>EMI</sub> | Peak level | V <sub>DD</sub> = 3.6 V, T <sub>A</sub> = 25 °C, LQFP144 package compliant with IEC 61967-2 | 0.1 MHz to 30 MHz        | -9   | 2              | dBμV |
|                  |            |   | 30 MHz to 130 MHz        | -8   | 3              |      |
|                  |            |   | 130 MHz to 1 GHz         | -10  | 14             |      |
|                  |            |   | EMI Level                | 1.5  | 3.5            | -    |

**6.3.12 Electrical sensitivity characteristics**

Based on three different tests (ESD, LU) using specific measurement methods, the device is stressed in order to determine its performance in terms of electrical sensitivity.

**Electrostatic discharge (ESD)**

Electrostatic discharges (a positive then a negative pulse separated by 1 second) are applied to the pins of each sample according to each pin combination. The sample size depends on the number of supply pins in the device (3 parts × (n+1) supply pins). This test conforms to the ANSI/JEDEC standard.

**Table 67. ESD absolute maximum ratings**

| Symbol                | Ratings   | Conditions  | Class | Maximum value <sup>(1)</sup> | Unit |
|-----------------------|---|---|-------|------------------------------|------|
| V <sub>ESD(HBM)</sub> | Electrostatic discharge voltage (human body model)    | T <sub>A</sub> = +25 °C, conforming to ANSI/ESDA/JEDEC JS-001 | 2     | 2000                         | V    |
| V <sub>ESD(CDM)</sub> | Electrostatic discharge voltage (charge device model) | T <sub>A</sub> = +25 °C, conforming to ANSI/ESD STM5.3.1      | C3    | 250                          |      |

1. Guaranteed by characterization results.

### Static latch-up

Two complementary static tests are required on six parts to assess the latch-up performance:

- A supply overvoltage is applied to each power supply pin.
- A current injection is applied to each input, output and configurable I/O pin.

These tests are compliant with EIA/JESD 78A IC latch-up standard.

**Table 68. Electrical sensitivities**

| Symbol | Parameter             | Conditions                                     | Class                     |
|--------|-----------------------|--|---------------------------|
| LU     | Static latch-up class | T <sub>A</sub> = +105 °C conforming to JESD78A | II level A <sup>(1)</sup> |

1. Negative injection is limited to -30 mA for PF0, PF1, PG6, PG7, PG8, PG12, PG13, PG14.

### 6.3.13 I/O current injection characteristics

As a general rule, current injection to the I/O pins, due to external voltage below V<sub>SS</sub> or above V<sub>DDIOx</sub> (for standard, 3.3 V-capable I/O pins) should be avoided during normal product operation. However, in order to give an indication of the robustness of the microcontroller in cases when abnormal injection accidentally happens, susceptibility tests are performed on a sample basis during device characterization.

#### Functional susceptibility to I/O current injection

While a simple application is executed on the device, the device is stressed by injecting current into the I/O pins programmed in floating input mode. While current is injected into the I/O pin, one at a time, the device is checked for functional failures.

The failure is indicated by an out of range parameter: ADC error above a certain limit (higher than 5 LSB TUE), out of conventional limits of induced leakage current on adjacent pins (out of the -5 μA/+0 μA range) or other functional failure (for example reset occurrence or oscillator frequency deviation).

The characterization results are given in [Table 69](#).

Negative induced leakage current is caused by negative injection and positive induced leakage current is caused by positive injection.

**Table 69. I/O current injection susceptibility**

| Symbol           | Description                                     | Functional susceptibility |                    | Unit |
|------------------|---|---------------------------|--------------------|------|
|                  |   | Negative injection        | Positive injection |      |
| I <sub>INJ</sub> | Injected current on BOOT0 pin                   | -0                        | 0                  | mA   |
|                  | Injected current on pins except PA4, PA5, BOOT0 | -5                        | N/A <sup>(1)</sup> |      |
|                  | Injected current on PA4, PA5 pins               | -5                        | 0                  |      |

1. Injection is not possible.

### 6.3.14 I/O port characteristics

#### General input/output characteristics

Unless otherwise specified, the parameters given in [Table 70](#) are derived from tests performed under the conditions summarized in [Table 23: General operating conditions](#). All I/Os are designed as CMOS- and TTL-compliant (except BOOT0).

**Table 70. I/O static characteristics**

| Symbol          | Parameter                                   | Conditions                                  | Min                                  | Typ | Max                                  | Unit |
|-----------------|---|---|--------------------------------------|-----|--------------------------------------|------|
| $V_{IL}^{(1)}$  | I/O input low level voltage except BOOT0    | $1.62\text{ V} < V_{DDIOx} < 3.6\text{ V}$  | -                                    | -   | $0.3 \times V_{DDIOx}^{(2)}$         | V    |
|                 | I/O input low level voltage except BOOT0    | $1.62\text{ V} < V_{DDIOx} < 3.6\text{ V}$  | -                                    | -   | $0.39 \times V_{DDIOx} - 0.06^{(3)}$ |      |
|                 | I/O input low level voltage except BOOT0    | $1.08\text{ V} < V_{DDIOx} < 1.62\text{ V}$ | -                                    | -   | $0.43 \times V_{DDIOx} - 0.1^{(3)}$  |      |
|                 | BOOT0 I/O input low level voltage           | $1.62\text{ V} < V_{DDIOx} < 3.6\text{ V}$  | -                                    | -   | $0.17 \times V_{DDIOx}^{(3)}$        |      |
| $V_{IH}^{(1)}$  | I/O input high level voltage except BOOT0   | $1.62\text{ V} < V_{DDIOx} < 3.6\text{ V}$  | $0.7 \times V_{DDIOx}^{(2)}$         | -   | -                                    | V    |
|                 | I/O input high level voltage except BOOT0   | $1.62\text{ V} < V_{DDIOx} < 3.6\text{ V}$  | $0.49 \times V_{DDIOx} + 0.26^{(3)}$ | -   | -                                    |      |
|                 | I/O input high level voltage except BOOT0   | $1.08\text{ V} < V_{DDIOx} < 1.62\text{ V}$ | $0.61 \times V_{DDIOx} + 0.05^{(3)}$ | -   | -                                    |      |
|                 | BOOT0 I/O input high level voltage          | $1.62\text{ V} < V_{DDIOx} < 3.6\text{ V}$  | $0.77 \times V_{DDIOx}^{(3)}$        | -   | -                                    |      |
| $V_{hys}^{(3)}$ | TT_xx, FT_xxx and NRST I/O input hysteresis | $1.62\text{ V} < V_{DDIOx} < 3.6\text{ V}$  | -                                    | 200 | -                                    | mV   |
|                 | FT_sx                                       | $1.08\text{ V} < V_{DDIOx} < 1.62\text{ V}$ | -                                    | 150 | -                                    |      |
|                 | BOOT0 I/O input hysteresis                  | $1.62\text{ V} < V_{DDIOx} < 3.6\text{ V}$  | -                                    | 200 | -                                    |      |

Table 70. I/O static characteristics (continued)

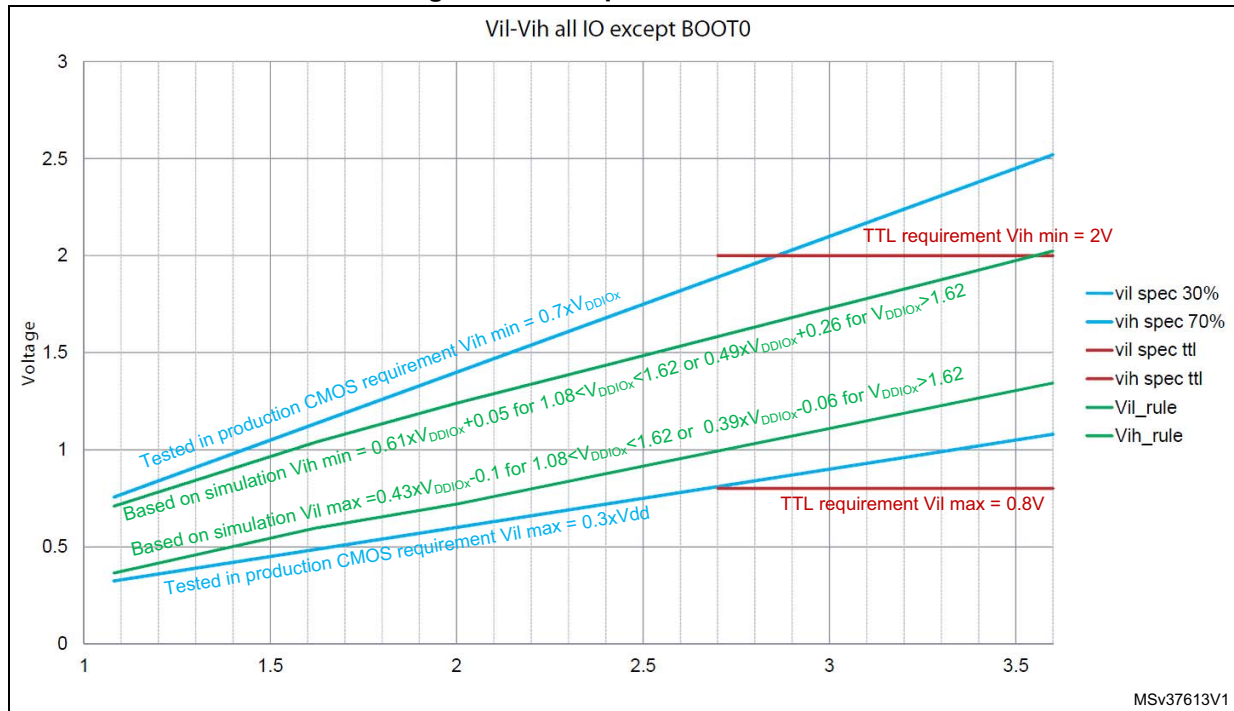
| Symbol          | Parameter   | Conditions  | Min               | Typ | Max                 | Unit |
|-----------------|---|---|-------------------|-----|---------------------|------|
| $I_{lkg}^{(4)}$ | FT_xx input leakage current <sup>(3)(5)</sup>                       | $V_{IN} \leq \text{Max}(V_{DDXXX})^{(6)(7)}$  | -                 | -   | ±100                | nA   |
|                 |   | $\text{Max}(V_{DDXXX}) \leq V_{IN} \leq \text{Max}(V_{DDXXX})+1 \text{ V}^{(6)(7)}$ | -                 | -   | 650                 |      |
|                 |   | $\text{Max}(V_{DDXXX})+1 \text{ V} < V_{IN} \leq 5.5 \text{ V}^{(6)(7)}$            | -                 | -   | 200                 |      |
|                 | FT_lu, FT_u and PC3 I/Os  | $V_{IN} \leq \text{Max}(V_{DDXXX})^{(6)(7)}$  | -                 | -   | ±150                |      |
|                 |   | $\text{Max}(V_{DDXXX}) \leq V_{IN} \leq \text{Max}(V_{DDXXX})+1 \text{ V}^{(6)(7)}$ | -                 | -   | 2500 <sup>(3)</sup> |      |
|                 |   | $\text{Max}(V_{DDXXX})+1 \text{ V} < V_{IN} \leq 5.5 \text{ V}^{(6)(7)}$            | -                 | -   | 250                 |      |
|                 | TT_xx input leakage current   | $V_{IN} \leq \text{Max}(V_{DDXXX})^{(6)}$   | -                 | -   | ±150                |      |
|                 |   | $\text{Max}(V_{DDXXX}) \leq V_{IN} < 3.6 \text{ V}^{(6)}$                           | -                 | -   | 2000 <sup>(3)</sup> |      |
|                 | OPAMPx_VINM (x=1,2) dedicated input leakage current (UFBGA132 only) | -   | -                 | -   | (8)                 |      |
|                 | $R_{PU}$  | Weak pull-up equivalent resistor <sup>(9)</sup>                                     | $V_{IN} = V_{SS}$ | 25  | 40                  |      |
| $R_{PD}$        | Weak pull-down equivalent resistor <sup>(9)</sup>                   | $V_{IN} = V_{DDIOx}$  | 25                | 40  | 55                  | kΩ   |
| $C_{IO}$        | I/O pin capacitance   | -   | -                 | 5   | -                   | pF   |

1. Refer to [Figure 26: I/O input characteristics](#).
2. Guaranteed by test in production.
3. Guaranteed by design.
4. This value represents the pad leakage of the IO itself. The total product pad leakage is provided by this formula:  
 $I_{Total\_leak\_max} = 10 \mu A + [\text{number of IOs where } V_{IN} \text{ is applied on the pad}] \times I_{lkg}(\text{Max})$ .
5. All FT\_xx GPIOs except FT\_lu, FT\_u and PC3 I/Os.
6.  $\text{Max}(V_{DDXXX})$  is the maximum value of all the I/O supplies.
7. To sustain a voltage higher than  $\text{Min}(V_{DD}, V_{DDA}, V_{DDIO2}, V_{DDUSB}, V_{LCD}) + 0.3 \text{ V}$ , the internal Pull-up and Pull-Down resistors must be disabled.
8. Refer to  $I_{bias}$  in [Table 86: OPAMP characteristics](#) for the values of the OPAMP dedicated input leakage current.
9. Pull-up and pull-down resistors are designed with a true resistance in series with a switchable PMOS/NMOS. This PMOS/NMOS contribution to the series resistance is minimal (~10% order).



All I/Os are CMOS- and TTL-compliant (no software configuration required). Their characteristics cover more than the strict CMOS-technology or TTL parameters. The coverage of these requirements is shown in [Figure 26](#) for standard I/Os, and in [Figure 26](#) for 5 V tolerant I/Os.

**Figure 26. I/O input characteristics**



**Output driving current**

The GPIOs (general purpose input/outputs) can sink or source up to ±8 mA, and sink or source up to ± 20 mA (with a relaxed V<sub>OL</sub>/V<sub>OH</sub>).

In the user application, the number of I/O pins which can drive current must be limited to respect the absolute maximum rating specified in [Section 6.2](#):

- The sum of the currents sourced by all the I/Os on V<sub>DDIOx</sub>, plus the maximum consumption of the MCU sourced on V<sub>DD</sub>, cannot exceed the absolute maximum rating ΣI<sub>VDD</sub> (see [Table 20: Voltage characteristics](#)).
- The sum of the currents sunk by all the I/Os on V<sub>SS</sub>, plus the maximum consumption of the MCU sunk on V<sub>SS</sub>, cannot exceed the absolute maximum rating ΣI<sub>VSS</sub> (see [Table 20: Voltage characteristics](#)).



**Output voltage levels**

Unless otherwise specified, the parameters given in the table below are derived from tests performed under the ambient temperature and supply voltage conditions summarized in [Table 23: General operating conditions](#). All I/Os are CMOS- and TTL-compliant (FT OR TT unless otherwise specified).

**Table 71. Output voltage characteristics<sup>(1)</sup>**

| Symbol            | Parameter   | Conditions  | Min                     | Max                     | Unit |
|-------------------|---|---|-------------------------|-------------------------|------|
| $V_{OL}$          | Output low level voltage for an I/O pin   | CMOS port <sup>(2)</sup><br>$ I_{IO}  = 8 \text{ mA}$<br>$V_{DDIOx} \geq 2.7 \text{ V}$ | -                       | 0.4                     | V    |
| $V_{OH}$          | Output high level voltage for an I/O pin  |   | $V_{DDIOx}-0.4$         | -                       |      |
| $V_{OL}^{(3)}$    | Output low level voltage for an I/O pin   | TTL port <sup>(2)</sup><br>$ I_{IO}  = 8 \text{ mA}$<br>$V_{DDIOx} \geq 2.7 \text{ V}$  | -                       | 0.4                     |      |
| $V_{OH}^{(3)}$    | Output high level voltage for an I/O pin  |   | 2.4                     | -                       |      |
| $V_{OL}^{(3)}$    | Output low level voltage for an I/O pin   | $ I_{IO}  = 20 \text{ mA}$<br>$V_{DDIOx} \geq 2.7 \text{ V}$                            | -                       | 1.3                     |      |
| $V_{OH}^{(3)}$    | Output high level voltage for an I/O pin  |   | $V_{DDIOx}-1.3$         | -                       |      |
| $V_{OL}^{(3)}$    | Output low level voltage for an I/O pin   | $ I_{IO}  = 4 \text{ mA}$<br>$V_{DDIOx} \geq 1.62 \text{ V}$                            | -                       | 0.45                    |      |
| $V_{OH}^{(3)}$    | Output high level voltage for an I/O pin  |   | $V_{DDIOx}-0.45$        | -                       |      |
| $V_{OL}^{(3)}$    | Output low level voltage for an I/O pin   | $ I_{IO}  = 2 \text{ mA}$<br>$1.62 \text{ V} \geq V_{DDIOx} \geq 1.08 \text{ V}$        | -                       | $0.35 \times V_{DDIOx}$ |      |
| $V_{OH}^{(3)}$    | Output high level voltage for an I/O pin  |   | $0.65 \times V_{DDIOx}$ | -                       |      |
| $V_{OLFM+}^{(3)}$ | Output low level voltage for an FT I/O pin in FM+ mode (FT I/O with "f" option) | $ I_{IO}  = 20 \text{ mA}$<br>$V_{DDIOx} \geq 2.7 \text{ V}$                            | -                       | 0.4                     |      |
|                   |   | $ I_{IO}  = 10 \text{ mA}$<br>$V_{DDIOx} \geq 1.62 \text{ V}$                           | -                       | 0.4                     |      |
|                   |   | $ I_{IO}  = 2 \text{ mA}$<br>$1.62 \text{ V} \geq V_{DDIOx} \geq 1.08 \text{ V}$        | -                       | 0.4                     |      |

1. The  $I_{IO}$  current sourced or sunk by the device must always respect the absolute maximum rating specified in [Table 20: Voltage characteristics](#), and the sum of the currents sourced or sunk by all the I/Os (I/O ports and control pins) must always respect the absolute maximum ratings  $\Sigma I_{IO}$ .
2. TTL and CMOS outputs are compatible with JEDEC standards JESD36 and JESD52.
3. Guaranteed by design.

**Input/output AC characteristics**

The definition and values of input/output AC characteristics are given in [Figure 27](#) and [Table 72](#), respectively.

Unless otherwise specified, the parameters given are derived from tests performed under the ambient temperature and supply voltage conditions summarized in [Table 23: General operating conditions](#).



Table 72. I/O AC characteristics<sup>(1)(2)</sup>

| Speed | Symbol | Parameter                 | Conditions                                    | Min | Max | Unit |
|-------|--------|---------------------------|---|-----|-----|------|
| 00    | Fmax   | Maximum frequency         | C=50 pF, 2.7 V ≤ V <sub>DDIOx</sub> ≤ 3.6 V   | -   | 5   | MHz  |
|       |        |                           | C=50 pF, 1.62 V ≤ V <sub>DDIOx</sub> ≤ 2.7 V  | -   | 1   |      |
|       |        |                           | C=50 pF, 1.08 V ≤ V <sub>DDIOx</sub> ≤ 1.62 V | -   | 0.1 |      |
|       |        |                           | C=10 pF, 2.7 V ≤ V <sub>DDIOx</sub> ≤ 3.6 V   | -   | 10  |      |
|       |        |                           | C=10 pF, 1.62 V ≤ V <sub>DDIOx</sub> ≤ 2.7 V  | -   | 1.5 |      |
|       |        |                           | C=10 pF, 1.08 V ≤ V <sub>DDIOx</sub> ≤ 1.62 V | -   | 0.1 |      |
|       | Tr/Tf  | Output rise and fall time | C=50 pF, 2.7 V ≤ V <sub>DDIOx</sub> ≤ 3.6 V   | -   | 25  | ns   |
|       |        |                           | C=50 pF, 1.62 V ≤ V <sub>DDIOx</sub> ≤ 2.7 V  | -   | 52  |      |
|       |        |                           | C=50 pF, 1.08 V ≤ V <sub>DDIOx</sub> ≤ 1.62 V | -   | 140 |      |
|       |        |                           | C=10 pF, 2.7 V ≤ V <sub>DDIOx</sub> ≤ 3.6 V   | -   | 17  |      |
|       |        |                           | C=10 pF, 1.62 V ≤ V <sub>DDIOx</sub> ≤ 2.7 V  | -   | 37  |      |
|       |        |                           | C=10 pF, 1.08 V ≤ V <sub>DDIOx</sub> ≤ 1.62 V | -   | 110 |      |
| 01    | Fmax   | Maximum frequency         | C=50 pF, 2.7 V ≤ V <sub>DDIOx</sub> ≤ 3.6 V   | -   | 25  | MHz  |
|       |        |                           | C=50 pF, 1.62 V ≤ V <sub>DDIOx</sub> ≤ 2.7 V  | -   | 10  |      |
|       |        |                           | C=50 pF, 1.08 V ≤ V <sub>DDIOx</sub> ≤ 1.62 V | -   | 1   |      |
|       |        |                           | C=10 pF, 2.7 V ≤ V <sub>DDIOx</sub> ≤ 3.6 V   | -   | 50  |      |
|       |        |                           | C=10 pF, 1.62 V ≤ V <sub>DDIOx</sub> ≤ 2.7 V  | -   | 15  |      |
|       |        |                           | C=10 pF, 1.08 V ≤ V <sub>DDIOx</sub> ≤ 1.62 V | -   | 1   |      |
|       | Tr/Tf  | Output rise and fall time | C=50 pF, 2.7 V ≤ V <sub>DDIOx</sub> ≤ 3.6 V   | -   | 9   | ns   |
|       |        |                           | C=50 pF, 1.62 V ≤ V <sub>DDIOx</sub> ≤ 2.7 V  | -   | 16  |      |
|       |        |                           | C=50 pF, 1.08 V ≤ V <sub>DDIOx</sub> ≤ 1.62 V | -   | 40  |      |
|       |        |                           | C=10 pF, 2.7 V ≤ V <sub>DDIOx</sub> ≤ 3.6 V   | -   | 4.5 |      |
|       |        |                           | C=10 pF, 1.62 V ≤ V <sub>DDIOx</sub> ≤ 2.7 V  | -   | 9   |      |
|       |        |                           | C=10 pF, 1.08 V ≤ V <sub>DDIOx</sub> ≤ 1.62 V | -   | 21  |      |

Table 72. I/O AC characteristics<sup>(1)(2)</sup> (continued)

| Speed | Symbol | Parameter                       | Conditions                                    | Min | Max                | Unit |
|-------|--------|---------------------------------|---|-----|--------------------|------|
| 10    | Fmax   | Maximum frequency               | C=50 pF, 2.7 V ≤ V <sub>DDIOx</sub> ≤ 3.6 V   | -   | 50                 | MHz  |
|       |        |                                 | C=50 pF, 1.62 V ≤ V <sub>DDIOx</sub> ≤ 2.7 V  | -   | 25                 |      |
|       |        |                                 | C=50 pF, 1.08 V ≤ V <sub>DDIOx</sub> ≤ 1.62 V | -   | 5                  |      |
|       |        |                                 | C=10 pF, 2.7 V ≤ V <sub>DDIOx</sub> ≤ 3.6 V   | -   | 100 <sup>(3)</sup> |      |
|       |        |                                 | C=10 pF, 1.62 V ≤ V <sub>DDIOx</sub> ≤ 2.7 V  | -   | 37.5               |      |
|       |        |                                 | C=10 pF, 1.08 V ≤ V <sub>DDIOx</sub> ≤ 1.62 V | -   | 5                  |      |
|       | Tr/Tf  | Output rise and fall time       | C=50 pF, 2.7 V ≤ V <sub>DDIOx</sub> ≤ 3.6 V   | -   | 5.8                | ns   |
|       |        |                                 | C=50 pF, 1.62 V ≤ V <sub>DDIOx</sub> ≤ 2.7 V  | -   | 11                 |      |
|       |        |                                 | C=50 pF, 1.08 V ≤ V <sub>DDIOx</sub> ≤ 1.62 V | -   | 28                 |      |
|       |        |                                 | C=10 pF, 2.7 V ≤ V <sub>DDIOx</sub> ≤ 3.6 V   | -   | 2.5                |      |
|       |        |                                 | C=10 pF, 1.62 V ≤ V <sub>DDIOx</sub> ≤ 2.7 V  | -   | 5                  |      |
|       |        |                                 | C=10 pF, 1.08 V ≤ V <sub>DDIOx</sub> ≤ 1.62 V | -   | 12                 |      |
| 11    | Fmax   | Maximum frequency               | C=30 pF, 2.7 V ≤ V <sub>DDIOx</sub> ≤ 3.6 V   | -   | 120 <sup>(3)</sup> | MHz  |
|       |        |                                 | C=30 pF, 1.62 V ≤ V <sub>DDIOx</sub> ≤ 2.7 V  | -   | 50                 |      |
|       |        |                                 | C=30 pF, 1.08 V ≤ V <sub>DDIOx</sub> ≤ 1.62 V | -   | 10                 |      |
|       |        |                                 | C=10 pF, 2.7 V ≤ V <sub>DDIOx</sub> ≤ 3.6 V   | -   | 180 <sup>(3)</sup> |      |
|       |        |                                 | C=10 pF, 1.62 V ≤ V <sub>DDIOx</sub> ≤ 2.7 V  | -   | 75                 |      |
|       |        |                                 | C=10 pF, 1.08 V ≤ V <sub>DDIOx</sub> ≤ 1.62 V | -   | 10                 |      |
|       | Tr/Tf  | Output rise and fall time       | C=30 pF, 2.7 V ≤ V <sub>DDIOx</sub> ≤ 3.6 V   | -   | 3.3                | ns   |
|       |        |                                 | C=30 pF, 1.62 V ≤ V <sub>DDIOx</sub> ≤ 2.7 V  | -   | 6                  |      |
|       |        |                                 | C=30 pF, 1.08 V ≤ V <sub>DDIOx</sub> ≤ 1.62 V | -   | 16                 |      |
| Fm+   | Fmax   | Maximum frequency               | C=50 pF, 1.6 V ≤ V <sub>DDIOx</sub> ≤ 3.6 V   | -   | 1                  | MHz  |
|       | Tf     | Output fall time <sup>(4)</sup> | C=50 pF, 1.6 V ≤ V <sub>DDIOx</sub> ≤ 3.6 V   | -   | 5                  | ns   |

1. The I/O speed is configured using the OSPEEDRy[1:0] bits. The Fm+ mode is configured in the SYSCFG\_CFGR1 register. Refer to the RM0351 reference manual for a description of GPIO Port configuration register.
2. Guaranteed by design.
3. This value represents the I/O capability but the maximum system frequency is limited to 80 MHz.
4. The fall time is defined between 70% and 30% of the output waveform accordingly to I<sup>2</sup>C specification.





Figure 27. I/O AC characteristics definition<sup>(1)</sup>



1. Refer to [Table 72: I/O AC characteristics](#).

### 6.3.15 NRST pin characteristics

The NRST pin input driver uses the CMOS technology. It is connected to a permanent pull-up resistor,  $R_{PU}$ .

Unless otherwise specified, the parameters given in the table below are derived from tests performed under the ambient temperature and supply voltage conditions summarized in [Table 23: General operating conditions](#).

Table 73. NRST pin characteristics<sup>(1)</sup>

| Symbol          | Parameter                                       | Conditions                                      | Min                    | Typ | Max                    | Unit       |
|-----------------|---|---|------------------------|-----|------------------------|------------|
| $V_{IL(NRST)}$  | NRST input low level voltage                    | -   | -                      | -   | $0.3 \times V_{DDIOx}$ | V          |
| $V_{IH(NRST)}$  | NRST input high level voltage                   | -   | $0.7 \times V_{DDIOx}$ | -   | -                      |            |
| $V_{hys(NRST)}$ | NRST Schmitt trigger voltage hysteresis         | -   | -                      | 200 | -                      | mV         |
| $R_{PU}$        | Weak pull-up equivalent resistor <sup>(2)</sup> | $V_{IN} = V_{SS}$                               | 25                     | 40  | 55                     | k $\Omega$ |
| $V_{F(NRST)}$   | NRST input filtered pulse                       | -   | -                      | -   | 70                     | ns         |
| $V_{NF(NRST)}$  | NRST input not filtered pulse                   | $1.71 \text{ V} \leq V_{DD} \leq 3.6 \text{ V}$ | 350                    | -   | -                      | ns         |

1. Guaranteed by design.

2. The pull-up is designed with a true resistance in series with a switchable PMOS. This PMOS contribution to the series resistance is minimal (~10% order).

Figure 28. Recommended NRST pin protection



1. The reset network protects the device against parasitic resets.
2. The user must ensure that the level on the NRST pin can go below the  $V_{IL(NRST)}$  max level specified in [Table 73: NRST pin characteristics](#). Otherwise the reset will not be taken into account by the device.
3. The external capacitor on NRST must be placed as close as possible to the device.

### 6.3.16 Extended interrupt and event controller input (EXTI) characteristics

The pulse on the interrupt input must have a minimal length in order to guarantee that it is detected by the event controller.

Table 74. EXTI input characteristics<sup>(1)</sup>

| Symbol | Parameter                        | Conditions | Min | Typ | Max | Unit |
|--------|----------------------------------|------------|-----|-----|-----|------|
| PLEC   | Pulse length to event controller | -          | 20  | -   | -   | ns   |

1. Guaranteed by design.

### 6.3.17 Analog switches booster

Table 75. Analog switches booster characteristics<sup>(1)</sup>

| Symbol          | Parameter   | Min  | Typ | Max | Unit |
|-----------------|---|------|-----|-----|------|
| $V_{DD}$        | Supply voltage  | 1.62 | -   | 3.6 | V    |
| $t_{SU(BOOST)}$ | Booster startup time  | -    | -   | 240 | µs   |
| $I_{DD(BOOST)}$ | Booster consumption for $1.62\text{ V} \leq V_{DD} \leq 2.0\text{ V}$ | -    | -   | 250 | µA   |
|                 | Booster consumption for $2.0\text{ V} \leq V_{DD} \leq 2.7\text{ V}$  | -    | -   | 500 |      |
|                 | Booster consumption for $2.7\text{ V} \leq V_{DD} \leq 3.6\text{ V}$  | -    | -   | 900 |      |

1. Guaranteed by design.

### 6.3.18 Analog-to-Digital converter characteristics

Unless otherwise specified, the parameters given in [Table 76](#) are preliminary values derived from tests performed under ambient temperature,  $f_{PCLK}$  frequency and  $V_{DDA}$  supply voltage conditions summarized in [Table 23: General operating conditions](#).

*Note:* It is recommended to perform a calibration after each power-up.

**Table 76. ADC characteristics<sup>(1) (2)</sup>**

| Symbol          | Parameter   | Conditions  | Min       | Typ | Max        | Unit             |
|-----------------|---|---|-----------|-----|------------|------------------|
| $V_{DDA}$       | Analog supply voltage   | -   | 1.62      | -   | 3.6        | V                |
| $V_{REF+}$      | Positive reference voltage  | $V_{DDA} \geq 2\text{ V}$                         | 2         | -   | $V_{DDA}$  | V                |
|                 |   | $V_{DDA} < 2\text{ V}$                            | $V_{DDA}$ |     |            | V                |
| $V_{REF-}$      | Negative reference voltage  | -   | $V_{SSA}$ |     |            | V                |
| $f_{ADC}$       | ADC clock frequency   | Range 1   | 0.14      | -   | 80         | MHz              |
|                 |   | Range 2   | 0.14      | -   | 26         |                  |
| $f_s$           | Sampling rate for FAST channels   | Resolution = 12 bits                              | -         | -   | 5.33       | Msps             |
|                 |   | Resolution = 10 bits                              | -         | -   | 6.15       |                  |
|                 |   | Resolution = 8 bits                               | -         | -   | 7.27       |                  |
|                 |   | Resolution = 6 bits                               | -         | -   | 8.88       |                  |
|                 | Sampling rate for SLOW channels   | Resolution = 12 bits                              | -         | -   | 4.21       |                  |
|                 |   | Resolution = 10 bits                              | -         | -   | 4.71       |                  |
|                 |   | Resolution = 8 bits                               | -         | -   | 5.33       |                  |
|                 |   | Resolution = 6 bits                               | -         | -   | 6.15       |                  |
| $f_{TRIG}$      | External trigger frequency  | $f_{ADC} = 80\text{ MHz}$<br>Resolution = 12 bits | -         | -   | 5.33       | MHz              |
|                 |   | Resolution = 12 bits                              | -         | -   | 15         | $1/f_{ADC}$      |
| $V_{AIN}^{(3)}$ | Conversion voltage range <sup>(2)</sup>   | -   | 0         | -   | $V_{REF+}$ | V                |
| $R_{AIN}$       | External input impedance  | -   | -         | -   | 50         | k $\Omega$       |
| $C_{ADC}$       | Internal sample and hold capacitor  | -   | -         | 5   | -          | pF               |
| $t_{STAB}$      | Power-up time   | -   | 1         |     |            | conversion cycle |
| $t_{CAL}$       | Calibration time  | $f_{ADC} = 80\text{ MHz}$                         | 1.45      |     |            | $\mu\text{s}$    |
|                 |   | -   | 116       |     |            | $1/f_{ADC}$      |
| $t_{LATR}$      | Trigger conversion latency Regular and injected channels without conversion abort | CKMODE = 00                                       | 1.5       | 2   | 2.5        | $1/f_{ADC}$      |
|                 |   | CKMODE = 01                                       | -         | -   | 2.0        |                  |
|                 |   | CKMODE = 10                                       | -         | -   | 2.25       |                  |
|                 |   | CKMODE = 11                                       | -         | -   | 2.125      |                  |

**Table 76. ADC characteristics<sup>(1) (2)</sup> (continued)**

| Symbol              | Parameter  | Conditions                                 | Min   | Typ | Max     | Unit        |
|---------------------|--|--|---|-----|---------|-------------|
| $t_{LATRINJ}$       | Trigger conversion latency Injected channels aborting a regular conversion | CKMODE = 00                                | 2.5   | 3   | 3.5     | $1/f_{ADC}$ |
|                     |  | CKMODE = 01                                | -   | -   | 3.0     |             |
|                     |  | CKMODE = 10                                | -   | -   | 3.25    |             |
|                     |  | CKMODE = 11                                | -   | -   | 3.125   |             |
| $t_s$               | Sampling time  | $f_{ADC} = 80$ MHz                         | 0.03125   | -   | 8.00625 | $\mu s$     |
|                     |  | -  | 2.5   | -   | 640.5   | $1/f_{ADC}$ |
| $t_{ADCVREG\_STUP}$ | ADC voltage regulator start-up time  | -  | -   | -   | 20      | $\mu s$     |
| $t_{CONV}$          | Total conversion time (including sampling time)                            | $f_{ADC} = 80$ MHz<br>Resolution = 12 bits | 0.1875  | -   | 8.1625  | $\mu s$     |
|                     |  | Resolution = 12 bits                       | ts + 12.5 cycles for successive approximation = 15 to 653 |     |         | $1/f_{ADC}$ |
| $I_{DDA(ADC)}$      | ADC consumption from the $V_{DDA}$ supply                                  | fs = 5 Msps                                | -   | 730 | 830     | $\mu A$     |
|                     |  | fs = 1 Msps                                | -   | 160 | 220     |             |
|                     |  | fs = 10 ksps                               | -   | 16  | 50      |             |
| $I_{DDV\_S(ADC)}$   | ADC consumption from the $V_{REF+}$ single ended mode                      | fs = 5 Msps                                | -   | 130 | 160     | $\mu A$     |
|                     |  | fs = 1 Msps                                | -   | 30  | 40      |             |
|                     |  | fs = 10 ksps                               | -   | 0.6 | 2       |             |
| $I_{DDV\_D(ADC)}$   | ADC consumption from the $V_{REF+}$ differential mode                      | fs = 5 Msps                                | -   | 260 | 310     | $\mu A$     |
|                     |  | fs = 1 Msps                                | -   | 60  | 70      |             |
|                     |  | fs = 10 ksps                               | -   | 1.3 | 3       |             |

1. Guaranteed by design
2. The I/O analog switch voltage booster is enable when  $V_{DDA} < 2.4$  V (BOOSTEN = 1 in the SYSCFG\_CFGR1 when  $V_{DDA} < 2.4$ V). It is disable when  $V_{DDA} \geq 2.4$  V.
3.  $V_{REF+}$  can be internally connected to  $V_{DDA}$  and  $V_{REF-}$  can be internally connected to  $V_{SSA}$ , depending on the package. Refer to [Section 4: Pinouts and pin description](#) for further details.

The maximum value of  $R_{AIN}$  can be found in [Table 77: Maximum ADC RAIN](#).



Table 77. Maximum ADC  $R_{AIN}^{(1)(2)}$

| Resolution | Sampling cycle @80 MHz | Sampling time [ns] @80 MHz | $R_{AIN} \text{ max } (\Omega)$ |                              |
|------------|------------------------|----------------------------|---------------------------------|------------------------------|
|            |                        |                            | Fast channels <sup>(3)</sup>    | Slow channels <sup>(4)</sup> |
| 12 bits    | 2.5                    | 31.25                      | 100                             | N/A                          |
|            | 6.5                    | 81.25                      | 330                             | 100                          |
|            | 12.5                   | 156.25                     | 680                             | 470                          |
|            | 24.5                   | 306.25                     | 1500                            | 1200                         |
|            | 47.5                   | 593.75                     | 2200                            | 1800                         |
|            | 92.5                   | 1156.25                    | 4700                            | 3900                         |
|            | 247.5                  | 3093.75                    | 12000                           | 10000                        |
| 10 bits    | 2.5                    | 31.25                      | 120                             | N/A                          |
|            | 6.5                    | 81.25                      | 390                             | 180                          |
|            | 12.5                   | 156.25                     | 820                             | 560                          |
|            | 24.5                   | 306.25                     | 1500                            | 1200                         |
|            | 47.5                   | 593.75                     | 2200                            | 1800                         |
|            | 92.5                   | 1156.25                    | 5600                            | 4700                         |
|            | 247.5                  | 3093.75                    | 12000                           | 10000                        |
| 8 bits     | 2.5                    | 31.25                      | 180                             | N/A                          |
|            | 6.5                    | 81.25                      | 470                             | 270                          |
|            | 12.5                   | 156.25                     | 1000                            | 680                          |
|            | 24.5                   | 306.25                     | 1800                            | 1500                         |
|            | 47.5                   | 593.75                     | 2700                            | 2200                         |
|            | 92.5                   | 1156.25                    | 6800                            | 5600                         |
|            | 247.5                  | 3093.75                    | 15000                           | 12000                        |
| 6 bits     | 2.5                    | 31.25                      | 220                             | N/A                          |
|            | 6.5                    | 81.25                      | 560                             | 330                          |
|            | 12.5                   | 156.25                     | 1200                            | 1000                         |
|            | 24.5                   | 306.25                     | 2700                            | 2200                         |
|            | 47.5                   | 593.75                     | 3900                            | 3300                         |
|            | 92.5                   | 1156.25                    | 8200                            | 6800                         |
|            | 247.5                  | 3093.75                    | 18000                           | 15000                        |
|            | 640.5                  | 8006.75                    | 50000                           | 50000                        |

1. Guaranteed by design.



2. The I/O analog switch voltage booster is enable when  $V_{DDA} < 2.4$  V (BOOSTEN = 1 in the SYSCFG\_CFGR1 when  $V_{DDA} < 2.4$ V). It is disable when  $V_{DDA} \geq 2.4$  V.
3. Fast channels are: PC0, PC1, PC2, PC3, PA0.
4. Slow channels are: all ADC inputs except the fast channels.

Table 78. ADC accuracy - limited test conditions 1<sup>(1)</sup>(2)(3)

| Symbol | Parameter                            | Conditions <sup>(4)</sup> |                          | Min  | Typ  | Max | Unit |
|--------|--------------------------------------|---------------------------|--------------------------|------|------|-----|------|
| ET     | Total unadjusted error               | Single ended              | Fast channel (max speed) | -    | 4    | 5   | LSB  |
|        |                                      |                           | Slow channel (max speed) | -    | 4    | 5   |      |
|        |                                      | Differential              | Fast channel (max speed) | -    | 3.5  | 4.5 |      |
|        |                                      |                           | Slow channel (max speed) | -    | 3.5  | 4.5 |      |
| EO     | Offset error                         | Single ended              | Fast channel (max speed) | -    | 1    | 2.5 |      |
|        |                                      |                           | Slow channel (max speed) | -    | 1    | 2.5 |      |
|        |                                      | Differential              | Fast channel (max speed) | -    | 1.5  | 2.5 |      |
|        |                                      |                           | Slow channel (max speed) | -    | 1.5  | 2.5 |      |
| EG     | Gain error                           | Single ended              | Fast channel (max speed) | -    | 2.5  | 4.5 |      |
|        |                                      |                           | Slow channel (max speed) | -    | 2.5  | 4.5 |      |
|        |                                      | Differential              | Fast channel (max speed) | -    | 2.5  | 3.5 |      |
|        |                                      |                           | Slow channel (max speed) | -    | 2.5  | 3.5 |      |
| ED     | Differential linearity error         | Single ended              | Fast channel (max speed) | -    | 1    | 1.5 |      |
|        |                                      |                           | Slow channel (max speed) | -    | 1    | 1.5 |      |
|        |                                      | Differential              | Fast channel (max speed) | -    | 1    | 1.2 |      |
|        |                                      |                           | Slow channel (max speed) | -    | 1    | 1.2 |      |
| EL     | Integral linearity error             | Single ended              | Fast channel (max speed) | -    | 1.5  | 2.5 |      |
|        |                                      |                           | Slow channel (max speed) | -    | 1.5  | 2.5 |      |
|        |                                      | Differential              | Fast channel (max speed) | -    | 1    | 2   |      |
|        |                                      |                           | Slow channel (max speed) | -    | 1    | 2   |      |
| ENOB   | Effective number of bits             | Single ended              | Fast channel (max speed) | 10.4 | 10.5 | -   | bits |
|        |                                      |                           | Slow channel (max speed) | 10.4 | 10.5 | -   |      |
|        |                                      | Differential              | Fast channel (max speed) | 10.8 | 10.9 | -   |      |
|        |                                      |                           | Slow channel (max speed) | 10.8 | 10.9 | -   |      |
| SINAD  | Signal-to-noise and distortion ratio | Single ended              | Fast channel (max speed) | 64.4 | 65   | -   | dB   |
|        |                                      |                           | Slow channel (max speed) | 64.4 | 65   | -   |      |
|        |                                      | Differential              | Fast channel (max speed) | 66.8 | 67.4 | -   |      |
|        |                                      |                           | Slow channel (max speed) | 66.8 | 67.4 | -   |      |
| SNR    | Signal-to-noise ratio                | Single ended              | Fast channel (max speed) | 65   | 66   | -   |      |
|        |                                      |                           | Slow channel (max speed) | 65   | 66   | -   |      |
|        |                                      | Differential              | Fast channel (max speed) | 67   | 68   | -   |      |
|        |                                      |                           | Slow channel (max speed) | 67   | 68   | -   |      |



**Table 78. ADC accuracy - limited test conditions 1<sup>(1)</sup>(2)(3) (continued)**

| Symbol | Parameter                 | Conditions <sup>(4)</sup>  |              | Min                      | Typ | Max | Unit |    |
|--------|---------------------------|--|--------------|--------------------------|-----|-----|------|----|
| THD    | Total harmonic distortion | ADC clock frequency ≤ 80 MHz,<br>Sampling rate ≤ 5.33 Msps,<br>V <sub>DDA</sub> = V <sub>REF+</sub> = 3 V,<br>TA = 25 °C | Single ended | Fast channel (max speed) | -   | -74 | -73  | dB |
|        |                           |  |              | Slow channel (max speed) | -   | -74 | -73  |    |
|        |                           |  | Differential | Fast channel (max speed) | -   | -79 | -76  |    |
|        |                           |  |              | Slow channel (max speed) | -   | -79 | -76  |    |

1. Guaranteed by design.
2. ADC DC accuracy values are measured after internal calibration.
3. ADC accuracy vs. negative Injection Current: Injecting negative current on any analog input pins should be avoided as this significantly reduces the accuracy of the conversion being performed on another analog input. It is recommended to add a Schottky diode (pin to ground) to analog pins which may potentially inject negative current.
4. The I/O analog switch voltage booster is enable when V<sub>DDA</sub> < 2.4 V (BOOSTEN = 1 in the SYSCFG\_CFGR1 when V<sub>DDA</sub> < 2.4 V). It is disable when V<sub>DDA</sub> ≥ 2.4 V. No oversampling.





Table 79. ADC accuracy - limited test conditions 2<sup>(1)(2)(3)</sup>

| Symbol | Parameter                            | Conditions <sup>(4)</sup> |                          | Min  | Typ  | Max | Unit |
|--------|--------------------------------------|---------------------------|--------------------------|------|------|-----|------|
| ET     | Total unadjusted error               | Single ended              | Fast channel (max speed) | -    | 4    | 6.5 | LSB  |
|        |                                      |                           | Slow channel (max speed) | -    | 4    | 6.5 |      |
|        |                                      | Differential              | Fast channel (max speed) | -    | 3.5  | 5.5 |      |
|        |                                      |                           | Slow channel (max speed) | -    | 3.5  | 5.5 |      |
| EO     | Offset error                         | Single ended              | Fast channel (max speed) | -    | 1    | 4.5 |      |
|        |                                      |                           | Slow channel (max speed) | -    | 1    | 5   |      |
|        |                                      | Differential              | Fast channel (max speed) | -    | 1.5  | 3   |      |
|        |                                      |                           | Slow channel (max speed) | -    | 1.5  | 3   |      |
| EG     | Gain error                           | Single ended              | Fast channel (max speed) | -    | 2.5  | 6   |      |
|        |                                      |                           | Slow channel (max speed) | -    | 2.5  | 6   |      |
|        |                                      | Differential              | Fast channel (max speed) | -    | 2.5  | 3.5 |      |
|        |                                      |                           | Slow channel (max speed) | -    | 2.5  | 3.5 |      |
| ED     | Differential linearity error         | Single ended              | Fast channel (max speed) | -    | 1    | 1.5 |      |
|        |                                      |                           | Slow channel (max speed) | -    | 1    | 1.5 |      |
|        |                                      | Differential              | Fast channel (max speed) | -    | 1    | 1.2 |      |
|        |                                      |                           | Slow channel (max speed) | -    | 1    | 1.2 |      |
| EL     | Integral linearity error             | Single ended              | Fast channel (max speed) | -    | 1.5  | 3.5 |      |
|        |                                      |                           | Slow channel (max speed) | -    | 1.5  | 3.5 |      |
|        |                                      | Differential              | Fast channel (max speed) | -    | 1    | 3   |      |
|        |                                      |                           | Slow channel (max speed) | -    | 1    | 2.5 |      |
| ENOB   | Effective number of bits             | Single ended              | Fast channel (max speed) | 10   | 10.5 | -   | bits |
|        |                                      |                           | Slow channel (max speed) | 10   | 10.5 | -   |      |
|        |                                      | Differential              | Fast channel (max speed) | 10.7 | 10.9 | -   |      |
|        |                                      |                           | Slow channel (max speed) | 10.7 | 10.9 | -   |      |
| SINAD  | Signal-to-noise and distortion ratio | Single ended              | Fast channel (max speed) | 62   | 65   | -   | dB   |
|        |                                      |                           | Slow channel (max speed) | 62   | 65   | -   |      |
|        |                                      | Differential              | Fast channel (max speed) | 66   | 67.4 | -   |      |
|        |                                      |                           | Slow channel (max speed) | 66   | 67.4 | -   |      |
| SNR    | Signal-to-noise ratio                | Single ended              | Fast channel (max speed) | 64   | 66   | -   |      |
|        |                                      |                           | Slow channel (max speed) | 64   | 66   | -   |      |
|        |                                      | Differential              | Fast channel (max speed) | 66.5 | 68   | -   |      |
|        |                                      |                           | Slow channel (max speed) | 66.5 | 68   | -   |      |

**Table 79. ADC accuracy - limited test conditions 2<sup>(1)</sup>(2)(3) (continued)**

| Symbol | Parameter                 | Conditions <sup>(4)</sup>   |              | Min                      | Typ | Max | Unit |    |
|--------|---------------------------|---|--------------|--------------------------|-----|-----|------|----|
| THD    | Total harmonic distortion | ADC clock frequency ≤ 80 MHz,<br>Sampling rate ≤ 5.33 Msps,<br>2 V ≤ V <sub>DDA</sub> | Single ended | Fast channel (max speed) | -   | -74 | -65  | dB |
|        |                           |   |              | Slow channel (max speed) | -   | -74 | -67  |    |
|        |                           |   | Differential | Fast channel (max speed) | -   | -79 | -70  |    |
|        |                           |   |              | Slow channel (max speed) | -   | -79 | -71  |    |

1. Guaranteed by design.
2. ADC DC accuracy values are measured after internal calibration.
3. ADC accuracy vs. negative Injection Current: Injecting negative current on any analog input pins should be avoided as this significantly reduces the accuracy of the conversion being performed on another analog input. It is recommended to add a Schottky diode (pin to ground) to analog pins which may potentially inject negative current.
4. The I/O analog switch voltage booster is enable when V<sub>DDA</sub> < 2.4 V (BOOSTEN = 1 in the SYSCFG\_CFGR1 when V<sub>DDA</sub> < 2.4 V). It is disable when V<sub>DDA</sub> ≥ 2.4 V. No oversampling.



Table 80. ADC accuracy - limited test conditions 3<sup>(1)(2)(3)</sup>

| Symbol | Parameter                            | Conditions <sup>(4)</sup> |                          | Min  | Typ  | Max | Unit |
|--------|--------------------------------------|---------------------------|--------------------------|------|------|-----|------|
| ET     | Total unadjusted error               | Single ended              | Fast channel (max speed) | -    | 5.5  | 7.5 | LSB  |
|        |                                      |                           | Slow channel (max speed) | -    | 4.5  | 6.5 |      |
|        |                                      | Differential              | Fast channel (max speed) | -    | 4.5  | 7.5 |      |
|        |                                      |                           | Slow channel (max speed) | -    | 4.5  | 5.5 |      |
| EO     | Offset error                         | Single ended              | Fast channel (max speed) | -    | 2    | 5   |      |
|        |                                      |                           | Slow channel (max speed) | -    | 2.5  | 5   |      |
|        |                                      | Differential              | Fast channel (max speed) | -    | 2    | 3.5 |      |
|        |                                      |                           | Slow channel (max speed) | -    | 2.5  | 3   |      |
| EG     | Gain error                           | Single ended              | Fast channel (max speed) | -    | 4.5  | 7   |      |
|        |                                      |                           | Slow channel (max speed) | -    | 3.5  | 6   |      |
|        |                                      | Differential              | Fast channel (max speed) | -    | 3.5  | 4   |      |
|        |                                      |                           | Slow channel (max speed) | -    | 3.5  | 5   |      |
| ED     | Differential linearity error         | Single ended              | Fast channel (max speed) | -    | 1.2  | 1.5 |      |
|        |                                      |                           | Slow channel (max speed) | -    | 1.2  | 1.5 |      |
|        |                                      | Differential              | Fast channel (max speed) | -    | 1    | 1.2 |      |
|        |                                      |                           | Slow channel (max speed) | -    | 1    | 1.2 |      |
| EL     | Integral linearity error             | Single ended              | Fast channel (max speed) | -    | 3    | 3.5 |      |
|        |                                      |                           | Slow channel (max speed) | -    | 2.5  | 3.5 |      |
|        |                                      | Differential              | Fast channel (max speed) | -    | 2    | 2.5 |      |
|        |                                      |                           | Slow channel (max speed) | -    | 2    | 2.5 |      |
| ENOB   | Effective number of bits             | Single ended              | Fast channel (max speed) | 10   | 10.4 | -   |      |
|        |                                      |                           | Slow channel (max speed) | 10   | 10.4 | -   |      |
|        |                                      | Differential              | Fast channel (max speed) | 10.6 | 10.7 | -   |      |
|        |                                      |                           | Slow channel (max speed) | 10.6 | 10.7 | -   |      |
| SINAD  | Signal-to-noise and distortion ratio | Single ended              | Fast channel (max speed) | 62   | 64   | -   |      |
|        |                                      |                           | Slow channel (max speed) | 62   | 64   | -   |      |
|        |                                      | Differential              | Fast channel (max speed) | 65   | 66   | -   |      |
|        |                                      |                           | Slow channel (max speed) | 65   | 66   | -   |      |
| SNR    | Signal-to-noise ratio                | Single ended              | Fast channel (max speed) | 63   | 65   | -   |      |
|        |                                      |                           | Slow channel (max speed) | 63   | 65   | -   |      |
|        |                                      | Differential              | Fast channel (max speed) | 66   | 67   | -   |      |
|        |                                      |                           | Slow channel (max speed) | 66   | 67   | -   |      |



**Table 80. ADC accuracy - limited test conditions 3<sup>(1)</sup>(2)(3) (continued)**

| Sym-bol | Parameter                 | Conditions <sup>(4)</sup>  |                          | Min                      | Typ | Max | Unit |    |
|---------|---------------------------|--|--------------------------|--------------------------|-----|-----|------|----|
| THD     | Total harmonic distortion | ADC clock frequency ≤ 80 MHz,<br>Sampling rate ≤ 5.33 Msps,<br>1.65 V ≤ V <sub>DDA</sub> = V <sub>REF+</sub> ≤ 3.6 V,<br>Voltage scaling Range 1 | Single ended             | Fast channel (max speed) | -   | -69 | -67  | dB |
|         |                           |  |                          | Slow channel (max speed) | -   | -71 | -67  |    |
|         |                           | Differential   | Fast channel (max speed) | -                        | -72 | -71 |      |    |
|         |                           |  | Slow channel (max speed) | -                        | -72 | -71 |      |    |

1. Guaranteed by design.
2. ADC DC accuracy values are measured after internal calibration.
3. ADC accuracy vs. negative Injection Current: Injecting negative current on any analog input pins should be avoided as this significantly reduces the accuracy of the conversion being performed on another analog input. It is recommended to add a Schottky diode (pin to ground) to analog pins which may potentially inject negative current.
4. The I/O analog switch voltage booster is enable when V<sub>DDA</sub> < 2.4 V (BOOSTEN = 1 in the SYSCFG\_CFGR1 when V<sub>DDA</sub> < 2.4 V). It is disable when V<sub>DDA</sub> ≥ 2.4 V. No oversampling.



Table 81. ADC accuracy - limited test conditions 4<sup>(1)(2)(3)</sup>

| Symbol | Parameter                            | Conditions <sup>(4)</sup> |                          | Min  | Typ  | Max | Unit |
|--------|--------------------------------------|---------------------------|--------------------------|------|------|-----|------|
| ET     | Total unadjusted error               | Single ended              | Fast channel (max speed) | -    | 5    | 5.4 | LSB  |
|        |                                      |                           | Slow channel (max speed) | -    | 4    | 5   |      |
|        |                                      | Differential              | Fast channel (max speed) | -    | 4    | 5   |      |
|        |                                      |                           | Slow channel (max speed) | -    | 3.5  | 4.5 |      |
| EO     | Offset error                         | Single ended              | Fast channel (max speed) | -    | 2    | 4   |      |
|        |                                      |                           | Slow channel (max speed) | -    | 2    | 4   |      |
|        |                                      | Differential              | Fast channel (max speed) | -    | 2    | 3.5 |      |
|        |                                      |                           | Slow channel (max speed) | -    | 2    | 3.5 |      |
| EG     | Gain error                           | Single ended              | Fast channel (max speed) | -    | 4    | 4.5 |      |
|        |                                      |                           | Slow channel (max speed) | -    | 4    | 4.5 |      |
|        |                                      | Differential              | Fast channel (max speed) | -    | 3    | 4   |      |
|        |                                      |                           | Slow channel (max speed) | -    | 3    | 4   |      |
| ED     | Differential linearity error         | Single ended              | Fast channel (max speed) | -    | 1    | 1.5 |      |
|        |                                      |                           | Slow channel (max speed) | -    | 1    | 1.5 |      |
|        |                                      | Differential              | Fast channel (max speed) | -    | 1    | 1.2 |      |
|        |                                      |                           | Slow channel (max speed) | -    | 1    | 1.2 |      |
| EL     | Integral linearity error             | Single ended              | Fast channel (max speed) | -    | 2.5  | 3   |      |
|        |                                      |                           | Slow channel (max speed) | -    | 2.5  | 3   |      |
|        |                                      | Differential              | Fast channel (max speed) | -    | 2    | 2.5 |      |
|        |                                      |                           | Slow channel (max speed) | -    | 2    | 2.5 |      |
| ENOB   | Effective number of bits             | Single ended              | Fast channel (max speed) | 10.2 | 10.5 | -   | bits |
|        |                                      |                           | Slow channel (max speed) | 10.2 | 10.5 | -   |      |
|        |                                      | Differential              | Fast channel (max speed) | 10.6 | 10.7 | -   |      |
|        |                                      |                           | Slow channel (max speed) | 10.6 | 10.7 | -   |      |
| SINAD  | Signal-to-noise and distortion ratio | Single ended              | Fast channel (max speed) | 63   | 65   | -   | dB   |
|        |                                      |                           | Slow channel (max speed) | 63   | 65   | -   |      |
|        |                                      | Differential              | Fast channel (max speed) | 65   | 66   | -   |      |
|        |                                      |                           | Slow channel (max speed) | 65   | 66   | -   |      |
| SNR    | Signal-to-noise ratio                | Single ended              | Fast channel (max speed) | 64   | 65   | -   |      |
|        |                                      |                           | Slow channel (max speed) | 64   | 65   | -   |      |
|        |                                      | Differential              | Fast channel (max speed) | 66   | 67   | -   |      |
|        |                                      |                           | Slow channel (max speed) | 66   | 67   | -   |      |



**Table 81. ADC accuracy - limited test conditions 4<sup>(1)</sup>(2)(3) (continued)**

| Symbol | Parameter                 | Conditions <sup>(4)</sup>  |              | Min                      | Typ | Max | Unit |    |
|--------|---------------------------|--|--------------|--------------------------|-----|-----|------|----|
| THD    | Total harmonic distortion | ADC clock frequency ≤ 26 MHz,<br>1.65 V ≤ V <sub>DDA</sub> = VREF+ ≤ 3.6 V,<br>Voltage scaling Range 2 | Single ended | Fast channel (max speed) | -   | -71 | -69  | dB |
|        |                           |  |              | Slow channel (max speed) | -   | -71 | -69  |    |
|        |                           |  | Differential | Fast channel (max speed) | -   | -73 | -72  |    |
|        |                           |  |              | Slow channel (max speed) | -   | -73 | -72  |    |

1. Guaranteed by design.
2. ADC DC accuracy values are measured after internal calibration.
3. ADC accuracy vs. negative Injection Current: Injecting negative current on any analog input pins should be avoided as this significantly reduces the accuracy of the conversion being performed on another analog input. It is recommended to add a Schottky diode (pin to ground) to analog pins which may potentially inject negative current.
4. The I/O analog switch voltage booster is enable when V<sub>DDA</sub> < 2.4 V (BOOSTEN = 1 in the SYSCFG\_CFGR1 when V<sub>DDA</sub> < 2.4 V). It is disable when V<sub>DDA</sub> ≥ 2.4 V. No oversampling.



Figure 29. ADC accuracy characteristics

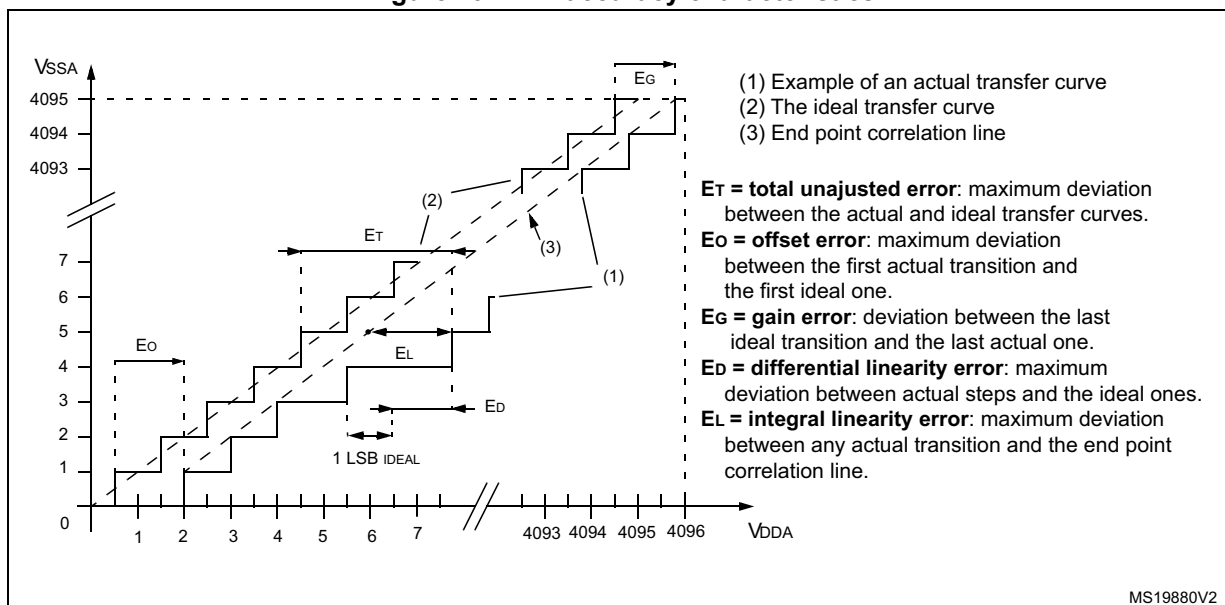
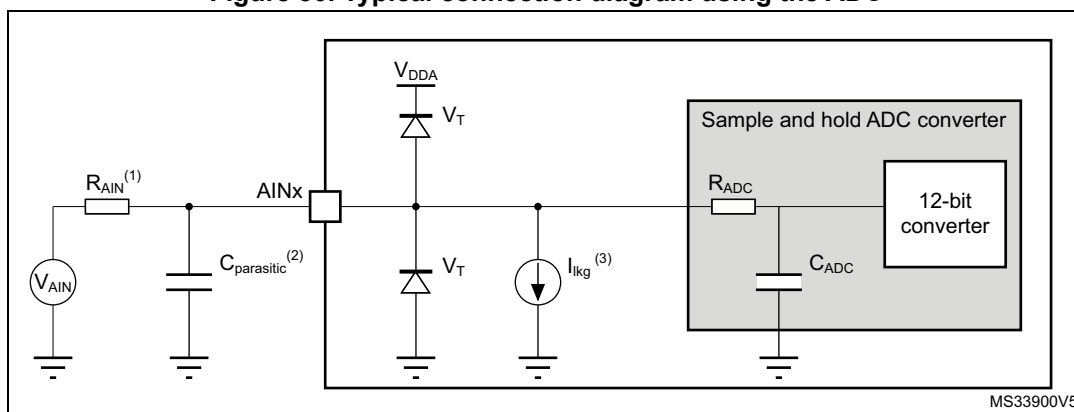


Figure 30. Typical connection diagram using the ADC



1. Refer to [Table 76: ADC characteristics](#) for the values of  $R_{AIN}$  and  $C_{ADC}$ .
2.  $C_{parasitic}$  represents the capacitance of the PCB (dependent on soldering and PCB layout quality) plus the pad capacitance (refer to [Table 70: I/O static characteristics](#) for the value of the pad capacitance). A high  $C_{parasitic}$  value will downgrade conversion accuracy. To remedy this,  $f_{ADC}$  should be reduced.
3. Refer to [Table 70: I/O static characteristics](#) for the values of  $I_{kg}$ .

**General PCB design guidelines**

Power supply decoupling should be performed as shown in [Figure 17: Power supply scheme](#). The 10 nF capacitor should be ceramic (good quality) and it should be placed as close as possible to the chip.

6.3.19 Digital-to-Analog converter characteristics

Table 82. DAC characteristics<sup>(1)</sup>

| Symbol                             | Parameter  | Conditions  | Min                           | Typ  | Max                     | Unit |    |
|------------------------------------|--|---|-------------------------------|------|-------------------------|------|----|
| V <sub>DDA</sub>                   | Analog supply voltage for DAC ON   | DAC output buffer OFF (no resistive load on DAC1_OUTx pin or internal connection) | 1.71                          | -    | 3.6                     | V    |    |
|                                    |  | Other modes   | 1.80                          | -    |                         |      |    |
| V <sub>REF+</sub>                  | Positive reference voltage   | DAC output buffer OFF (no resistive load on DAC1_OUTx pin or internal connection) | 1.71                          | -    | V <sub>DDA</sub>        |      |    |
|                                    |  | Other modes   | 1.80                          | -    |                         |      |    |
| V <sub>REF-</sub>                  | Negative reference voltage   | -   | V <sub>SSA</sub>              |      |                         |      |    |
| R <sub>L</sub>                     | Resistive load   | DAC output buffer ON  | connected to V <sub>SSA</sub> | 5    | -                       |      | -  |
|                                    |  | connected to V <sub>DDA</sub>   | 25                            | -    | -                       |      |    |
| R <sub>O</sub>                     | Output Impedance   | DAC output buffer OFF   | 9.6                           | 11.7 | 13.8                    | kΩ   |    |
| R <sub>BON</sub>                   | Output impedance sample and hold mode, output buffer ON  | V <sub>DD</sub> = 2.7 V   | -                             | -    | 2                       | kΩ   |    |
|                                    |  | V <sub>DD</sub> = 2.0 V   | -                             | -    | 3.5                     |      |    |
| R <sub>BOFF</sub>                  | Output impedance sample and hold mode, output buffer OFF   | V <sub>DD</sub> = 2.7 V   | -                             | -    | 16.5                    | kΩ   |    |
|                                    |  | V <sub>DD</sub> = 2.0 V   | -                             | -    | 18.0                    |      |    |
| C <sub>L</sub>                     | Capacitive load  | DAC output buffer ON  | -                             | -    | 50                      | pF   |    |
| C <sub>SH</sub>                    |  | Sample and hold mode  | -                             | 0.1  | 1                       | μF   |    |
| V <sub>DAC_OUT</sub>               | Voltage on DAC1_OUTx output  | DAC output buffer ON  | 0.2                           | -    | V <sub>REF+</sub> - 0.2 | V    |    |
|                                    |  | DAC output buffer OFF   | 0                             | -    | V <sub>REF+</sub>       |      |    |
| t <sub>SETTLING</sub>              | Settling time (full scale: for a 12-bit code transition between the lowest and the highest input codes when DAC1_OUTx reaches final value ±0.5LSB, ±1 LSB, ±2 LSB, ±4 LSB, ±8 LSB) | Normal mode DAC output buffer ON<br>CL ≤ 50 pF,<br>RL ≥ 5 kΩ                      | ±0.5 LSB                      | -    | 1.7                     | 3    | μs |
|                                    |  |   | ±1 LSB                        | -    | 1.6                     | 2.9  |    |
|                                    |  |   | ±2 LSB                        | -    | 1.55                    | 2.85 |    |
|                                    |  |   | ±4 LSB                        | -    | 1.48                    | 2.8  |    |
|                                    |  |   | ±8 LSB                        | -    | 1.4                     | 2.75 |    |
|                                    |  | Normal mode DAC output buffer OFF, ±1LSB, CL = 10 pF                              | -                             | 2    | 2.5                     |      |    |
| t <sub>WAKEUP</sub> <sup>(2)</sup> | Wakeup time from off state (setting the ENx bit in the DAC Control register) until final value ±1 LSB  | Normal mode DAC output buffer ON<br>CL ≤ 50 pF, RL ≥ 5 kΩ                         | -                             | 4.2  | 7.5                     | μs   |    |
|                                    |  | Normal mode DAC output buffer OFF, CL ≤ 10 pF                                     | -                             | 2    | 5                       |      |    |
| PSRR                               | V <sub>DDA</sub> supply rejection ratio  | Normal mode DAC output buffer ON<br>CL ≤ 50 pF, RL = 5 kΩ, DC                     | -                             | -80  | -28                     | dB   |    |





Table 82. DAC characteristics<sup>(1)</sup> (continued)

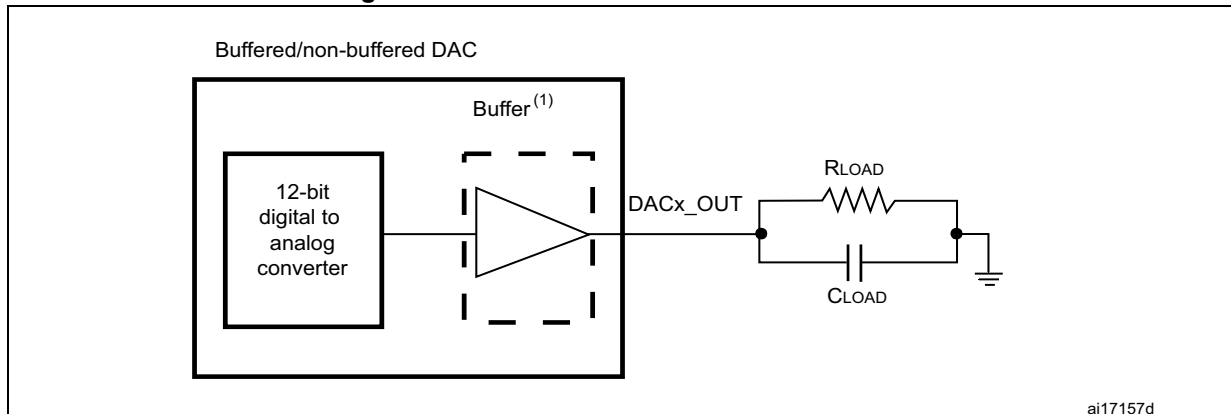
| Symbol                | Parameter   | Conditions   | Min                          | Typ                                   | Max                                   | Unit |    |
|-----------------------|---|--|------------------------------|---------------------------------------|---------------------------------------|------|----|
| T <sub>W_to_W</sub>   | Minimal time between two consecutive writes into the DAC_DORx register to guarantee a correct DAC1_OUTx for a small variation of the input code (1 LSB)<br>DAC_MCR:MODEx[2:0] = 000 or 001<br>DAC_MCR:MODEx[2:0] = 010 or 011 | CL ≤ 50 pF, RL ≥ 5 kΩ                                  | 1                            | -                                     | -                                     | μs   |    |
|                       |   | CL ≤ 10 pF   | 1.4                          |                                       |                                       |      |    |
| t <sub>SAMP</sub>     | Sampling time in sample and hold mode (code transition between the lowest input code and the highest input code when DAC1_OUTx reaches final value ±1LSB)   | DAC1_OUTx pin connected                                |                              |                                       |                                       | ms   |    |
|                       |   | DAC output buffer ON, C <sub>SH</sub> = 100 nF         | -                            | 0.7                                   | 3.5                                   |      |    |
|                       |   | DAC output buffer OFF, C <sub>SH</sub> = 100 nF        | -                            | 10.5                                  | 18                                    |      |    |
|                       |   | DAC1_OUTx pin not connected (internal connection only) |                              |                                       |                                       | μs   |    |
| I <sub>leak</sub>     | Output leakage current  | Sample and hold mode, DAC1_OUTx pin connected          | -                            | -                                     | -(3)                                  | nA   |    |
| C <sub>Iint</sub>     | Internal sample and hold capacitor  | -  | 5.2                          | 7                                     | 8.8                                   | pF   |    |
| t <sub>TRIM</sub>     | Middle code offset trim time  | DAC output buffer ON                                   | 50                           | -                                     | -                                     | μs   |    |
| V <sub>offset</sub>   | Middle code offset for 1 trim code step   | V <sub>REF+</sub> = 3.6 V                              | -                            | 1500                                  | -                                     | μV   |    |
|                       |   | V <sub>REF+</sub> = 1.8 V                              | -                            | 750                                   | -                                     |      |    |
| I <sub>DDA(DAC)</sub> | DAC consumption from V <sub>DDA</sub>   | DAC output buffer ON                                   | No load, middle code (0x800) | -                                     | 315                                   | 500  | μA |
|                       |   |  | No load, worst code (0xF1C)  | -                                     | 450                                   | 670  |    |
|                       |   | DAC output buffer OFF                                  | No load, middle code (0x800) | -                                     | -                                     | 0.2  |    |
|                       |   | Sample and hold mode, C <sub>SH</sub> = 100 nF         | -                            | 315 × Ton/(Ton + Toff) <sup>(4)</sup> | 670 × Ton/(Ton + Toff) <sup>(4)</sup> |      |    |

Table 82. DAC characteristics<sup>(1)</sup> (continued)

| Symbol                 | Parameter                              | Conditions   | Min                          | Typ                                   | Max                                   | Unit |    |
|------------------------|--|--|------------------------------|---------------------------------------|---------------------------------------|------|----|
| I <sub>DDV</sub> (DAC) | DAC consumption from V <sub>REF+</sub> | DAC output buffer ON   | No load, middle code (0x800) | -                                     | 185                                   | 240  | μA |
|                        |  |  | No load, worst code (0xF1C)  | -                                     | 340                                   | 400  |    |
|                        |  | DAC output buffer OFF  | No load, middle code (0x800) | -                                     | 155                                   | 205  |    |
|                        |  | Sample and hold mode, buffer ON, C <sub>SH</sub> = 100 nF, worst case  | -                            | 185 x Ton/(Ton + Toff) <sup>(4)</sup> | 400 x Ton/(Ton + Toff) <sup>(4)</sup> |      |    |
|                        |  | Sample and hold mode, buffer OFF, C <sub>SH</sub> = 100 nF, worst case | -                            | 155 x Ton/(Ton + Toff) <sup>(4)</sup> | 205 x Ton/(Ton + Toff) <sup>(4)</sup> |      |    |

1. Guaranteed by design.
2. In buffered mode, the output can overshoot above the final value for low input code (starting from min value).
3. Refer to [Table 70: I/O static characteristics](#).
4. Ton is the Refresh phase duration. Toff is the Hold phase duration. Refer to RM0351 reference manual for more details.

Figure 31. 12-bit buffered / non-buffered DAC



1. The DAC integrates an output buffer that can be used to reduce the output impedance and to drive external loads directly without the use of an external operational amplifier. The buffer can be bypassed by configuring the BOFFx bit in the DAC\_CR register.

Table 83. DAC accuracy<sup>(1)</sup>

| Symbol    | Parameter                                    | Conditions   | Min                       | Typ  | Max  | Unit |     |
|-----------|--|--|---------------------------|------|------|------|-----|
| DNL       | Differential non linearity <sup>(2)</sup>    | DAC output buffer ON   | -                         | -    | ±2   | LSB  |     |
|           |  | DAC output buffer OFF  | -                         | -    | ±2   |      |     |
| -         | monotonicity                                 | 10 bits  | guaranteed                |      |      |      |     |
| INL       | Integral non linearity <sup>(3)</sup>        | DAC output buffer ON<br>CL ≤ 50 pF, RL ≥ 5 kΩ                      | -                         | -    | ±4   |      |     |
|           |  | DAC output buffer OFF<br>CL ≤ 50 pF, no RL                         | -                         | -    | ±4   |      |     |
| Offset    | Offset error at code 0x800 <sup>(3)</sup>    | DAC output buffer ON<br>CL ≤ 50 pF, RL ≥ 5 kΩ                      | V <sub>REF+</sub> = 3.6 V | -    | -    |      | ±12 |
|           |  |  | V <sub>REF+</sub> = 1.8 V | -    | -    |      | ±25 |
|           |  | DAC output buffer OFF<br>CL ≤ 50 pF, no RL                         |                           | -    | -    |      | ±8  |
| Offset1   | Offset error at code 0x001 <sup>(4)</sup>    | DAC output buffer OFF<br>CL ≤ 50 pF, no RL                         | -                         | -    | ±5   |      |     |
| OffsetCal | Offset Error at code 0x800 after calibration | DAC output buffer ON<br>CL ≤ 50 pF, RL ≥ 5 kΩ                      | V <sub>REF+</sub> = 3.6 V | -    | -    | ±5   |     |
|           |  |  | V <sub>REF+</sub> = 1.8 V | -    | -    | ±7   |     |
| Gain      | Gain error <sup>(5)</sup>                    | DAC output buffer ON<br>CL ≤ 50 pF, RL ≥ 5 kΩ                      | -                         | -    | ±0.5 | %    |     |
|           |  | DAC output buffer OFF<br>CL ≤ 50 pF, no RL                         | -                         | -    | ±0.5 |      |     |
| TUE       | Total unadjusted error                       | DAC output buffer ON<br>CL ≤ 50 pF, RL ≥ 5 kΩ                      | -                         | -    | ±30  | LSB  |     |
|           |  | DAC output buffer OFF<br>CL ≤ 50 pF, no RL                         | -                         | -    | ±12  |      |     |
| TUECal    | Total unadjusted error after calibration     | DAC output buffer ON<br>CL ≤ 50 pF, RL ≥ 5 kΩ                      | -                         | -    | ±23  | LSB  |     |
| SNR       | Signal-to-noise ratio                        | DAC output buffer ON<br>CL ≤ 50 pF, RL ≥ 5 kΩ<br>1 kHz, BW 500 kHz | -                         | 71.2 | -    | dB   |     |
|           |  | DAC output buffer OFF<br>CL ≤ 50 pF, no RL, 1 kHz<br>BW 500 kHz    | -                         | 71.6 | -    |      |     |
| THD       | Total harmonic distortion                    | DAC output buffer ON<br>CL ≤ 50 pF, RL ≥ 5 kΩ, 1 kHz               | -                         | -78  | -    | dB   |     |
|           |  | DAC output buffer OFF<br>CL ≤ 50 pF, no RL, 1 kHz                  | -                         | -79  | -    |      |     |

**Table 83. DAC accuracy<sup>(1)</sup> (continued)**

| Symbol | Parameter                            | Conditions   | Min | Typ  | Max | Unit |
|--------|--------------------------------------|--|-----|------|-----|------|
| SINAD  | Signal-to-noise and distortion ratio | DAC output buffer ON<br>CL ≤ 50 pF, RL ≥ 5 kΩ, 1 kHz | -   | 70.4 | -   | dB   |
|        |                                      | DAC output buffer OFF<br>CL ≤ 50 pF, no RL, 1 kHz    | -   | 71   | -   |      |
| ENOB   | Effective number of bits             | DAC output buffer ON<br>CL ≤ 50 pF, RL ≥ 5 kΩ, 1 kHz | -   | 11.4 | -   | bits |
|        |                                      | DAC output buffer OFF<br>CL ≤ 50 pF, no RL, 1 kHz    | -   | 11.5 | -   |      |

1. Guaranteed by design.
2. Difference between two consecutive codes - 1 LSB.
3. Difference between measured value at Code i and the value at Code i on a line drawn between Code 0 and last Code 4095.
4. Difference between the value measured at Code (0x001) and the ideal value.
5. Difference between ideal slope of the transfer function and measured slope computed from code 0x000 and 0xFFFF when buffer is OFF, and from code giving 0.2 V and (V<sub>REF+</sub> - 0.2) V when buffer is ON.

## 6.3.20 Voltage reference buffer characteristics

Table 84. VREFBUF characteristics<sup>(1)</sup>

| Symbol            | Parameter   | Conditions   |                              | Min                        | Typ        | Max                       | Unit                  |
|-------------------|---|--|------------------------------|----------------------------|------------|---------------------------|-----------------------|
| $V_{DDA}$         | Analog supply voltage   | Normal mode  | $V_{RS} = 0$                 | 2.4                        | -          | 3.6                       | V                     |
|                   |   |  | $V_{RS} = 1$                 | 2.8                        | -          | 3.6                       |                       |
|                   |   | Degraded mode <sup>(2)</sup>                                     | $V_{RS} = 0$                 | 1.65                       | -          | 2.4                       |                       |
|                   |   |  | $V_{RS} = 1$                 | 1.65                       | -          | 2.8                       |                       |
| $V_{REFBUF\_OUT}$ | Voltage reference output  | Normal mode  | $V_{RS} = 0$                 | 2.046 <sup>(3)</sup>       | 2.048      | 2.049 <sup>(3)</sup>      |                       |
|                   |   |  | $V_{RS} = 1$                 | 2.498 <sup>(3)</sup>       | 2.5        | 2.502 <sup>(3)</sup>      |                       |
|                   |   | Degraded mode <sup>(2)</sup>                                     | $V_{RS} = 0$                 | $V_{DDA} - 150 \text{ mV}$ | -          | $V_{DDA}$                 |                       |
|                   |   |  | $V_{RS} = 1$                 | $V_{DDA} - 150 \text{ mV}$ | -          | $V_{DDA}$                 |                       |
| TRIM              | Trim step resolution  | -  | -                            | -                          | $\pm 0.05$ | $\pm 0.1$                 | %                     |
| CL                | Load capacitor  | -  | -                            | 0.5                        | 1          | 1.5                       | $\mu\text{F}$         |
| esr               | Equivalent Serial Resistor of Cload   | -  | -                            | -                          | -          | 2                         | $\Omega$              |
| $I_{load}$        | Static load current   | -  | -                            | -                          | -          | 4                         | mA                    |
| $I_{line\_reg}$   | Line regulation   | $2.8 \text{ V} \leq V_{DDA} \leq 3.6 \text{ V}$                  | $I_{load} = 500 \mu\text{A}$ | -                          | 200        | 1000                      | ppm/V                 |
|                   |   |  | $I_{load} = 4 \text{ mA}$    | -                          | 100        | 500                       |                       |
| $I_{load\_reg}$   | Load regulation   | $500 \mu\text{A} \leq I_{load} \leq 4 \text{ mA}$                | Normal mode                  | -                          | 50         | 500                       | ppm/mA                |
| $T_{Coeff}$       | Temperature coefficient   | $-40 \text{ }^\circ\text{C} < T_J < +125 \text{ }^\circ\text{C}$ |                              | -                          | -          | $T_{coeff\_vrefint} + 50$ | ppm/ $^\circ\text{C}$ |
|                   |   | $0 \text{ }^\circ\text{C} < T_J < +50 \text{ }^\circ\text{C}$    |                              | -                          | -          | $T_{coeff\_vrefint} + 50$ |                       |
| PSRR              | Power supply rejection  | DC   |                              | 40                         | 60         | -                         | dB                    |
|                   |   | 100 kHz  |                              | 25                         | 40         | -                         |                       |
| $t_{START}$       | Start-up time   | $CL = 0.5 \mu\text{F}^{(4)}$                                     |                              | -                          | 300        | 350                       | $\mu\text{s}$         |
|                   |   | $CL = 1.1 \mu\text{F}^{(4)}$                                     |                              | -                          | 500        | 650                       |                       |
|                   |   | $CL = 1.5 \mu\text{F}^{(4)}$                                     |                              | -                          | 650        | 800                       |                       |
| $I_{INRUSH}$      | Control of maximum DC current drive on VREFBUF_OUT during start-up phase <sup>(5)</sup> | -  | -                            | -                          | 8          | -                         | mA                    |

Table 84. VREFBUF characteristics<sup>(1)</sup> (continued)

| Symbol                         | Parameter                                       | Conditions                 | Min | Typ | Max | Unit |
|--------------------------------|---|----------------------------|-----|-----|-----|------|
| I <sub>DDA</sub> (VREF<br>BUF) | VREFBUF<br>consumption<br>from V <sub>DDA</sub> | I <sub>load</sub> = 0 μA   | -   | 16  | 25  | μA   |
|                                |   | I <sub>load</sub> = 500 μA | -   | 18  | 30  |      |
|                                |   | I <sub>load</sub> = 4 mA   | -   | 35  | 50  |      |

1. Guaranteed by design, unless otherwise specified.
2. In degraded mode, the voltage reference buffer can not maintain accurately the output voltage which will follow (V<sub>DDA</sub> - drop voltage).
3. Guaranteed by test in production.
4. The capacitive load must include a 100 nF capacitor in order to cut-off the high frequency noise.
5. To correctly control the VREFBUF inrush current during start-up phase and scaling change, the V<sub>DDA</sub> voltage should be in the range [2.4 V to 3.6 V] and [2.8 V to 3.6 V] respectively for V<sub>RS</sub> = 0 and V<sub>RS</sub> = 1.

6.3.21 Comparator characteristics

Table 85. COMP characteristics<sup>(1)</sup>

| Symbol               | Parameter  | Conditions                | Min                  | Typ     | Max       | Unit    |         |
|----------------------|--|---------------------------|----------------------|---------|-----------|---------|---------|
| $V_{DDA}$            | Analog supply voltage  | -                         | 1.62                 | -       | 3.6       | V       |         |
| $V_{IN}$             | Comparator input voltage range                                   | -                         | 0                    | -       | $V_{DDA}$ |         |         |
| $V_{BG}^{(2)}$       | Scaler input voltage   | -                         | $V_{REFINT}$         |         |           |         |         |
| $V_{SC}$             | Scaler offset voltage  | -                         | -                    | $\pm 5$ | $\pm 10$  | mV      |         |
| $I_{DDA(SCALER)}$    | Scaler static consumption from $V_{DDA}$                         | BRG_EN=0 (bridge disable) | -                    | 200     | 300       | nA      |         |
|                      |  | BRG_EN=1 (bridge enable)  | -                    | 0.8     | 1         | $\mu A$ |         |
| $t_{START\_SCALER}$  | Scaler startup time  | -                         | -                    | 100     | 200       | $\mu s$ |         |
| $t_{START}$          | Comparator startup time to reach propagation delay specification | High-speed mode           | $V_{DDA} \geq 2.7 V$ | -       | -         | 5       | $\mu s$ |
|                      |  |                           | $V_{DDA} < 2.7 V$    | -       | -         | 7       |         |
|                      |  | Medium mode               | $V_{DDA} \geq 2.7 V$ | -       | -         | 15      |         |
|                      |  |                           | $V_{DDA} < 2.7 V$    | -       | -         | 25      |         |
| Ultra-low-power mode |  | -                         | -                    | 80      |           |         |         |
| $t_D^{(3)}$          | Propagation delay for 200 mV step with 100 mV overdrive          | High-speed mode           | $V_{DDA} \geq 2.7 V$ | -       | 55        | 80      | ns      |
|                      |  |                           | $V_{DDA} < 2.7 V$    | -       | 65        | 100     |         |
|                      |  | Medium mode               | $V_{DDA} \geq 2.7 V$ | -       | 0.55      | 0.9     | $\mu s$ |
|                      |  |                           | $V_{DDA} < 2.7 V$    | -       | 0.65      | 1       |         |
|                      |  | Ultra-low-power mode      |                      | -       | 5         | 12      |         |
| $V_{offset}$         | Comparator offset error  | Full common mode range    | -                    | $\pm 5$ | $\pm 20$  | mV      |         |
| $V_{hys}$            | Comparator hysteresis  | No hysteresis             |                      | -       | 0         | -       | mV      |
|                      |  | Low hysteresis            |                      | -       | 8         | -       |         |
|                      |  | Medium hysteresis         |                      | -       | 15        | -       |         |
|                      |  | High hysteresis           |                      | -       | 27        | -       |         |

Table 85. COMP characteristics<sup>(1)</sup> (continued)

| Symbol                  | Parameter                                    | Conditions           |   | Min | Typ  | Max  | Unit |
|-------------------------|--|----------------------|---|-----|------|------|------|
| I <sub>DDA</sub> (COMP) | Comparator consumption from V <sub>DDA</sub> | Ultra-low-power mode | Static                                      | -   | 400  | 600  | nA   |
|                         |  |                      | With 50 kHz ±100 mV overdrive square signal | -   | 1200 | -    |      |
|                         |  | Medium mode          | Static                                      | -   | 5    | 7    | µA   |
|                         |  |                      | With 50 kHz ±100 mV overdrive square signal | -   | 6    | -    |      |
|                         |  | High-speed mode      | Static                                      | -   | 70   | 100  |      |
|                         |  |                      | With 50 kHz ±100 mV overdrive square signal | -   | 75   | -    |      |
| I <sub>bias</sub>       | Comparator input bias current                | -                    |   | -   | -    | -(4) | nA   |

1. Guaranteed by design, unless otherwise specified.
2. Refer to [Table 26: Embedded internal voltage reference](#).
3. Guaranteed by characterization results.
4. Mostly I/O leakage when used in analog mode. Refer to I<sub>Ikg</sub> parameter in [Table 70: I/O static characteristics](#).

### 6.3.22 Operational amplifiers characteristics

Table 86. OPAMP characteristics<sup>(1)</sup>

| Symbol                       | Parameter   | Conditions                | Min | Typ | Max              | Unit  |
|------------------------------|---|---------------------------|-----|-----|------------------|-------|
| V <sub>DDA</sub>             | Analog supply voltage <sup>(2)</sup>                                    | -                         | 1.8 | -   | 3.6              | V     |
| CMIR                         | Common mode input range   | -                         | 0   | -   | V <sub>DDA</sub> | V     |
| V <sub>I</sub> OFFSET        | Input offset voltage  | 25 °C, No Load on output. | -   | -   | ±1.5             | mV    |
|                              |   | All voltage/Temp.         | -   | -   | ±3               |       |
| ΔV <sub>I</sub> OFFSET       | Input offset voltage drift  | Normal mode               | -   | ±5  | -                | µV/°C |
|                              |   | Low-power mode            | -   | ±10 | -                |       |
| TRIMOFFSETP<br>TRIMLPOFFSETP | Offset trim step at low common input voltage (0.1 × V <sub>DDA</sub> )  | -                         | -   | 0.8 | 1.1              | mV    |
| TRIMOFFSETN<br>TRIMLPOFFSETN | Offset trim step at high common input voltage (0.9 × V <sub>DDA</sub> ) | -                         | -   | 1   | 1.35             |       |





Table 86. OPAMP characteristics<sup>(1)</sup> (continued)

| Symbol                            | Parameter   | Conditions     |  | Min                    | Typ  | Max  | Unit |
|-----------------------------------|---|----------------|--|------------------------|------|------|------|
| I <sub>LOAD</sub>                 | Drive current   | Normal mode    | V <sub>DDA</sub> ≥ 2 V   | -                      | -    | 500  | μA   |
|                                   |   | Low-power mode |  | -                      | -    | 100  |      |
| I <sub>LOAD_PGA</sub>             | Drive current in PGA mode                                 | Normal mode    | V <sub>DDA</sub> ≥ 2 V   | -                      | -    | 450  |      |
|                                   |   | Low-power mode |  | -                      | -    | 50   |      |
| R <sub>LOAD</sub>                 | Resistive load (connected to VSSA or to VDDA)             | Normal mode    | V <sub>DDA</sub> < 2 V   | 4                      | -    | -    | kΩ   |
|                                   |   | Low-power mode |  | 20                     | -    | -    |      |
| R <sub>LOAD_PGA</sub>             | Resistive load in PGA mode (connected to VSSA or to VDDA) | Normal mode    | V <sub>DDA</sub> < 2 V   | 4.5                    | -    | -    |      |
|                                   |   | Low-power mode |  | 40                     | -    | -    |      |
| C <sub>LOAD</sub>                 | Capacitive load   | -              |  | -                      | -    | 50   | pF   |
| CMRR                              | Common mode rejection ratio                               | Normal mode    |  | -                      | -85  | -    | dB   |
|                                   |   | Low-power mode |  | -                      | -90  | -    |      |
| PSRR                              | Power supply rejection ratio                              | Normal mode    | C <sub>LOAD</sub> ≤ 50 pf, R <sub>LOAD</sub> ≥ 4 kΩ DC                         | 70                     | 85   | -    | dB   |
|                                   |   | Low-power mode | C <sub>LOAD</sub> ≤ 50 pf, R <sub>LOAD</sub> ≥ 20 kΩ DC                        | 72                     | 90   | -    |      |
| GBW                               | Gain Bandwidth Product                                    | Normal mode    | V <sub>DDA</sub> ≥ 2.4 V (OPA_RANGE = 1)                                       | 550                    | 1600 | 2200 | kHz  |
|                                   |   | Low-power mode |  | 100                    | 420  | 600  |      |
|                                   |   | Normal mode    | V <sub>DDA</sub> < 2.4 V (OPA_RANGE = 0)                                       | 250                    | 700  | 950  |      |
|                                   |   | Low-power mode |  | 40                     | 180  | 280  |      |
| SR <sup>(3)</sup>                 | Slew rate (from 10 and 90% of output voltage)             | Normal mode    | V <sub>DDA</sub> ≥ 2.4 V   | -                      | 700  | -    | V/ms |
|                                   |   | Low-power mode |  | -                      | 180  | -    |      |
|                                   |   | Normal mode    | V <sub>DDA</sub> < 2.4 V   | -                      | 300  | -    |      |
|                                   |   | Low-power mode |  | -                      | 80   | -    |      |
| AO                                | Open loop gain  | Normal mode    |  | 55                     | 110  | -    | dB   |
|                                   |   | Low-power mode |  | 45                     | 110  | -    |      |
| V <sub>OHSAT</sub> <sup>(3)</sup> | High saturation voltage                                   | Normal mode    | I <sub>load</sub> = max or R <sub>load</sub> = min Input at V <sub>DDA</sub> . | V <sub>DDA</sub> - 100 | -    | -    | mV   |
|                                   |   | Low-power mode |  | V <sub>DDA</sub> - 50  | -    | -    |      |
| V <sub>OLSAT</sub> <sup>(3)</sup> | Low saturation voltage                                    | Normal mode    | I <sub>load</sub> = max or R <sub>load</sub> = min Input at 0.                 | -                      | -    | 100  |      |
|                                   |   | Low-power mode |  | -                      | -    | 50   |      |
| φ <sub>m</sub>                    | Phase margin  | Normal mode    |  | -                      | 74   | -    | °    |
|                                   |   | Low-power mode |  | -                      | 66   | -    |      |



Table 86. OPAMP characteristics<sup>(1)</sup> (continued)

| Symbol                  | Parameter   | Conditions   |   | Min | Typ    | Max  | Unit  |
|-------------------------|---|--|---|-----|--------|------|-------|
| GM                      | Gain margin   | Normal mode  |   | -   | 13     | -    | dB    |
|                         |   | Low-power mode                                       |   | -   | 20     | -    |       |
| t <sub>WAKEUP</sub>     | Wake up time from OFF state.                                | Normal mode  | C <sub>LOAD</sub> ≤ 50 pf, R <sub>LOAD</sub> ≥ 4 kΩ follower configuration  | -   | 5      | 10   | μs    |
|                         |   | Low-power mode                                       | C <sub>LOAD</sub> ≤ 50 pf, R <sub>LOAD</sub> ≥ 20 kΩ follower configuration | -   | 10     | 30   |       |
| I <sub>bias</sub>       | OPAMP input bias current                                    | Dedicated input (UFBGA132 only)                      | T <sub>J</sub> ≤ 75 °C  | -   | -      | 1    | nA    |
|                         |   |  | T <sub>J</sub> ≤ 85 °C  | -   | -      | 3    |       |
|                         |   |  | T <sub>J</sub> ≤ 105 °C   | -   | -      | 8    |       |
|                         |   |  | T <sub>J</sub> ≤ 125 °C   | -   | -      | 15   |       |
|                         |   | General purpose input (all packages except UFBGA132) |   | -   | -      | _(4) |       |
| PGA gain <sup>(3)</sup> | Non inverting gain value                                    | -  |   | -   | 2      | -    | -     |
|                         |   |  |   | -   | 4      | -    |       |
|                         |   |  |   | -   | 8      | -    |       |
|                         |   |  |   | -   | 16     | -    |       |
| R <sub>network</sub>    | R2/R1 internal resistance values in PGA mode <sup>(5)</sup> | PGA Gain = 2   |   | -   | 80/80  | -    | kΩ/kΩ |
|                         |   | PGA Gain = 4   |   | -   | 120/40 | -    |       |
|                         |   | PGA Gain = 8   |   | -   | 140/20 | -    |       |
|                         |   | PGA Gain = 16  |   | -   | 150/10 | -    |       |
| Delta R                 | Resistance variation (R1 or R2)                             | -  |   | -15 | -      | 15   | %     |
| PGA gain error          | PGA gain error  | -  |   | -1  | -      | 1    | %     |
| PGA BW                  | PGA bandwidth for different non inverting gain              | Gain = 2   | -   | -   | GBW/2  | -    | MHz   |
|                         |   | Gain = 4   | -   | -   | GBW/4  | -    |       |
|                         |   | Gain = 8   | -   | -   | GBW/8  | -    |       |
|                         |   | Gain = 16  | -   | -   | GBW/16 | -    |       |



Table 86. OPAMP characteristics<sup>(1)</sup> (continued)

| Symbol                                  | Parameter                                | Conditions     |                                     | Min | Typ | Max | Unit   |
|---|--|----------------|-------------------------------------|-----|-----|-----|--------|
| en                                      | Voltage noise density                    | Normal mode    | at 1 kHz, Output loaded with 4 kΩ   | -   | 500 | -   | nV/√Hz |
|   |  | Low-power mode | at 1 kHz, Output loaded with 20 kΩ  | -   | 600 | -   |        |
|   |  | Normal mode    | at 10 kHz, Output loaded with 4 kΩ  | -   | 180 | -   |        |
|   |  | Low-power mode | at 10 kHz, Output loaded with 20 kΩ | -   | 290 | -   |        |
| I <sub>D</sub> DA(OPAMP) <sup>(3)</sup> | OPAMP consumption from V <sub>DD</sub> A | Normal mode    | no Load, quiescent mode             | -   | 120 | 260 | μA     |
|   |  | Low-power mode |                                     | -   | 45  | 100 |        |

1. Guaranteed by design, unless otherwise specified.
2. The temperature range is limited to 0 °C-125 °C when V<sub>DD</sub>A is below 2 V
3. Guaranteed by characterization results.
4. Mostly I/O leakage, when used in analog mode. Refer to I<sub>lkg</sub> parameter in [Table 70: I/O static characteristics](#).
5. R2 is the internal resistance between OPAMP output and OPAMP inverting input. R1 is the internal resistance between OPAMP inverting input and ground. The PGA gain = 1+R2/R1

### 6.3.23 Temperature sensor characteristics

Table 87. TS characteristics

| Symbol                                      | Parameter  | Min   | Typ     | Max     | Unit                   |
|---|--|-------|---------|---------|------------------------|
| $T_L^{(1)}$                                 | $V_{TS}$ linearity with temperature  | -     | $\pm 1$ | $\pm 2$ | $^{\circ}\text{C}$     |
| Avg_Slope <sup>(2)</sup>                    | Average slope  | 2.3   | 2.5     | 2.7     | mV/ $^{\circ}\text{C}$ |
| $V_{30}$                                    | Voltage at 30 $^{\circ}\text{C}$ ( $\pm 5$ $^{\circ}\text{C}$ ) <sup>(3)</sup> | 0.742 | 0.76    | 0.785   | V                      |
| $t_{\text{START}}^{\text{(TS\_BUF)}}^{(1)}$ | Sensor Buffer Start-up time in continuous mode <sup>(4)</sup>                  | -     | 8       | 15      | $\mu\text{s}$          |
| $t_{\text{START}}^{(1)}$                    | Start-up time when entering in continuous mode <sup>(4)</sup>                  | -     | 70      | 120     | $\mu\text{s}$          |
| $t_{\text{S\_temp}}^{(1)}$                  | ADC sampling time when reading the temperature                                 | 5     | -       | -       | $\mu\text{s}$          |
| $I_{\text{DD}}(\text{TS})^{(1)}$            | Temperature sensor consumption from $V_{\text{DD}}$ , when selected by ADC     | -     | 4.7     | 7       | $\mu\text{A}$          |

1. Guaranteed by design.
2. Guaranteed by characterization results.
3. Measured at  $V_{\text{DDA}} = 3.0 \text{ V} \pm 10 \text{ mV}$ . The  $V_{30}$  ADC conversion result is stored in the TS\_CAL1 byte. Refer to [Table 8: Temperature sensor calibration values](#).
4. Continuous mode means Run/Sleep modes, or temperature sensor enable in Low-power run/Low-power sleep modes.

### 6.3.24 $V_{\text{BAT}}$ monitoring characteristics

Table 88.  $V_{\text{BAT}}$  monitoring characteristics

| Symbol                     | Parameter                               | Min | Typ | Max | Unit          |
|----------------------------|---|-----|-----|-----|---------------|
| R                          | Resistor bridge for $V_{\text{BAT}}$    | -   | 39  | -   | k $\Omega$    |
| Q                          | Ratio on $V_{\text{BAT}}$ measurement   | -   | 3   | -   | -             |
| $E_r^{(1)}$                | Error on Q                              | -10 | -   | 10  | %             |
| $t_{\text{S\_vbat}}^{(1)}$ | ADC sampling time when reading the VBAT | 12  | -   | -   | $\mu\text{s}$ |

1. Guaranteed by design.

Table 89.  $V_{\text{BAT}}$  charging characteristics

| Symbol          | Parameter                 | Conditions | Min | Typ | Max | Unit       |
|-----------------|---------------------------|------------|-----|-----|-----|------------|
| $R_{\text{BC}}$ | Battery charging resistor | VBRS = 0   | -   | 5   | -   | k $\Omega$ |
|                 |                           | VBRS = 1   | -   | 1.5 | -   |            |

**6.3.25 LCD controller characteristics**

The devices embed a built-in step-up converter to provide a constant LCD reference voltage independently from the  $V_{DD}$  voltage. An external capacitor  $C_{ext}$  must be connected to the VLCD pin to decouple this converter.

**Table 90. LCD controller characteristics<sup>(1)</sup>**

| Symbol          | Parameter   | Conditions                                 | Min | Typ           | Max | Unit      |
|-----------------|---|--|-----|---------------|-----|-----------|
| $V_{LCD}$       | LCD external voltage                                      |  | -   | -             | 3.6 | V         |
| $V_{LCD0}$      | LCD internal reference voltage 0                          |  | -   | 2.62          | -   |           |
| $V_{LCD1}$      | LCD internal reference voltage 1                          |  | -   | 2.76          | -   |           |
| $V_{LCD2}$      | LCD internal reference voltage 2                          |  | -   | 2.89          | -   |           |
| $V_{LCD3}$      | LCD internal reference voltage 3                          |  | -   | 3.04          | -   |           |
| $V_{LCD4}$      | LCD internal reference voltage 4                          |  | -   | 3.19          | -   |           |
| $V_{LCD5}$      | LCD internal reference voltage 5                          |  | -   | 3.32          | -   |           |
| $V_{LCD6}$      | LCD internal reference voltage 6                          |  | -   | 3.46          | -   |           |
| $V_{LCD7}$      | LCD internal reference voltage 7                          |  | -   | 3.62          | -   |           |
| $C_{ext}$       | $V_{LCD}$ external capacitance                            | Buffer OFF<br>(BUFEN=0 is LCD_CR register) | 0.2 | -             | 2   | $\mu F$   |
|                 |   | Buffer ON<br>(BUFEN=1 is LCD_CR register)  | 1   | -             | 2   |           |
| $I_{LCD}^{(2)}$ | Supply current from $V_{DD}$ at $V_{DD} = 2.2 V$          | Buffer OFF<br>(BUFEN=0 is LCD_CR register) | -   | 3             | -   | $\mu A$   |
|                 | Supply current from $V_{DD}$ at $V_{DD} = 3.0 V$          | Buffer OFF<br>(BUFEN=0 is LCD_CR register) | -   | 1.5           | -   |           |
| $I_{VLCD}$      | Supply current from $V_{LCD}$<br>( $V_{LCD} = 3 V$ )      | Buffer OFF<br>(BUFFEN = 0, PON = 0)        | -   | 0.5           | -   | $\mu A$   |
|                 |   | Buffer ON<br>(BUFFEN = 1, 1/2 Bias)        | -   | 0.6           | -   |           |
|                 |   | Buffer ON<br>(BUFFEN = 1, 1/3 Bias)        | -   | 0.8           | -   |           |
|                 |   | Buffer ON<br>(BUFFEN = 1, 1/4 Bias)        | -   | 1             | -   |           |
| $R_{HN}$        | Total High Resistor value for Low drive resistive network |  | -   | 5.5           | -   | $M\Omega$ |
| $R_{LN}$        | Total Low Resistor value for High drive resistive network |  | -   | 240           | -   | $k\Omega$ |
| $V_{44}$        | Segment/Common highest level voltage                      |  | -   | $V_{LCD}$     | -   | V         |
| $V_{34}$        | Segment/Common 3/4 level voltage                          |  | -   | $3/4 V_{LCD}$ | -   |           |
| $V_{23}$        | Segment/Common 2/3 level voltage                          |  | -   | $2/3 V_{LCD}$ | -   |           |
| $V_{12}$        | Segment/Common 1/2 level voltage                          |  | -   | $1/2 V_{LCD}$ | -   |           |
| $V_{13}$        | Segment/Common 1/3 level voltage                          |  | -   | $1/3 V_{LCD}$ | -   |           |
| $V_{14}$        | Segment/Common 1/4 level voltage                          |  | -   | $1/4 V_{LCD}$ | -   |           |
| $V_0$           | Segment/Common lowest level voltage                       |  | -   | 0             | -   |           |



1. Guaranteed by design.
2. LCD enabled with 3 V internal step-up active, 1/8 duty, 1/4 bias, division ratio= 64, all pixels active, no LCD connected.

### 6.3.26 DFSDM characteristics

Unless otherwise specified, the parameters given in [Table 91](#) for DFSDM are derived from tests performed under the ambient temperature,  $f_{APB2}$  frequency and  $V_{DD}$  supply voltage conditions summarized in [Table 23: General operating conditions](#).

- Output speed is set to  $OSPEEDRy[1:0] = 10$
- Capacitive load  $C = 30$  pF
- Measurement points are done at CMOS levels:  $0.5 \times V_{DD}$

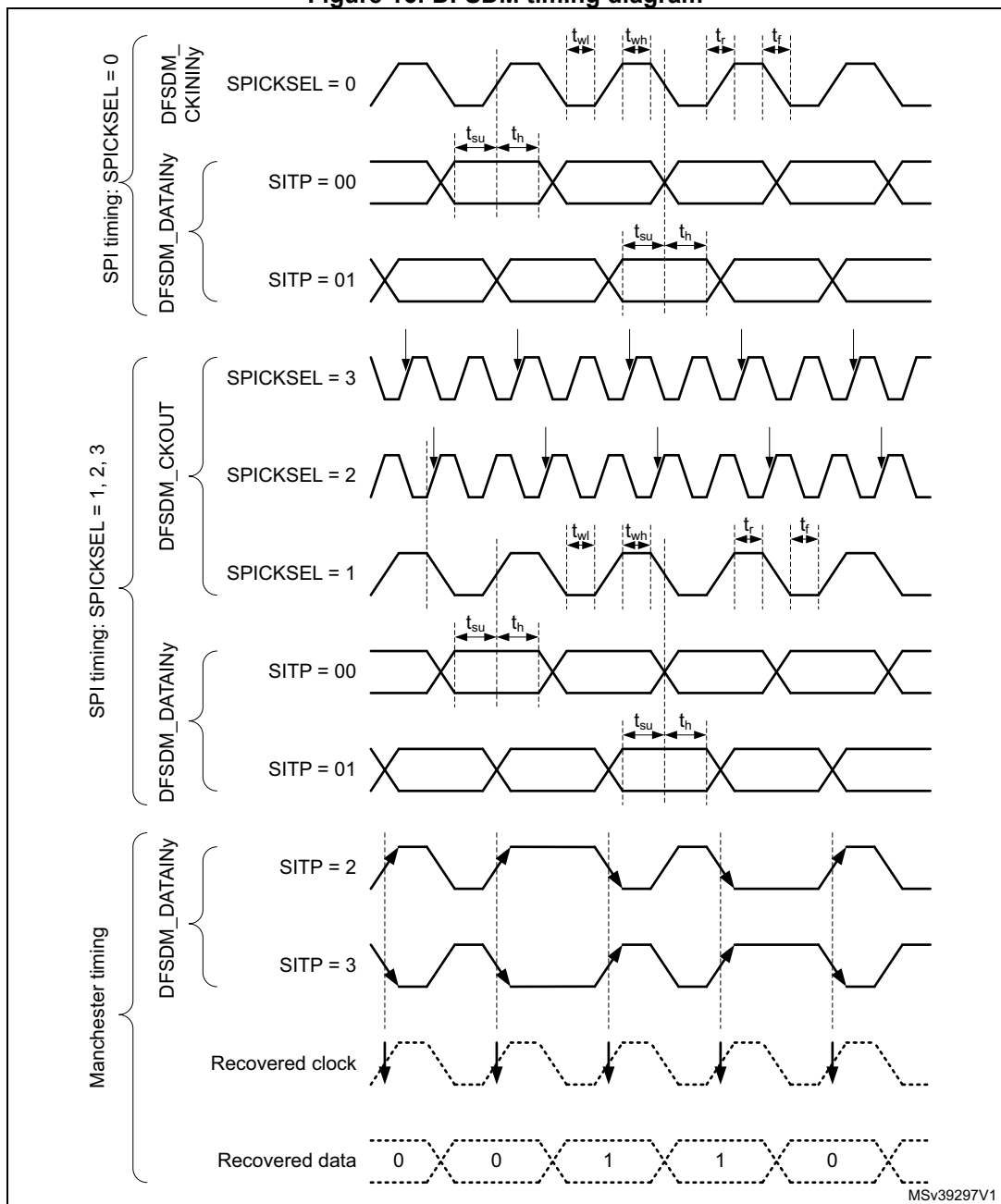
Refer to [Section 6.3.14: I/O port characteristics](#) for more details on the input/output alternate function characteristics (DFSDM1\_CKINy, DFSDM1\_DATINy, DFSDM1\_CKOUT for DFSDM).

**Table 91. DFSDM characteristics<sup>(1)</sup>**

| Symbol                           | Parameter                                       | Conditions  | Min                                 | Typ          | Max                                       | Unit |
|----------------------------------|---|---|-------------------------------------|--------------|---|------|
| $f_{DFSDMCLK}$                   | DFSDM clock                                     | -   | -                                   | -            | $f_{SYSCLK}$                              | MHz  |
| $f_{CKIN}$<br>( $1/T_{CKIN}$ )   | Input clock frequency                           | SPI mode (SITP[1:0] = 01)   | -                                   | -            | 20<br>( $f_{DFSDMCLK}/4$ )                |      |
| $f_{CKOUT}$                      | Output clock frequency                          | -   | -                                   | -            | 20  | MHz  |
| DuCy <sub>CKOUT</sub>            | Output clock frequency duty cycle               | -   | 45                                  | 50           | 55  | %    |
| $t_{wh(CKIN)}$<br>$t_{wl(CKIN)}$ | Input clock high and low time                   | SPI mode (SITP[1:0] = 01),<br>External clock mode<br>(SPICKSEL[1:0] = 0)              | $T_{CKIN}/2-0.5$                    | $T_{CKIN}/2$ | -   | ns   |
| $t_{su}$                         | Data input setup time                           | SPI mode (SITP[1:0]=01),<br>External clock mode<br>(SPICKSEL[1:0] = 0)                | 0                                   | -            | -   |      |
| $t_h$                            | Data input hold time                            | SPI mode (SITP[1:0]=01),<br>External clock mode<br>(SPICKSEL[1:0] = 0)                | 2                                   | -            | -   |      |
| $T_{Manchester}$                 | Manchester data period (recovered clock period) | Manchester mode (SITP[1:0] = 10 or 11),<br>Internal clock mode<br>(SPICKSEL[1:0] ≠ 0) | $(CKOUT DIV+1) \times T_{DFSDMCLK}$ | -            | $(2 \times CKOUTDIV) \times T_{DFSDMCLK}$ |      |

1. Guaranteed by characterization results.

Figure 16: DFSDM timing diagram



### 6.3.27 Timer characteristics

The parameters given in the following tables are guaranteed by design.

Refer to [Section 6.3.14: I/O port characteristics](#) for details on the input/output alternate function characteristics (output compare, input capture, external clock, PWM output).



**Table 92. TIMx<sup>(1)</sup> characteristics**

| Symbol                 | Parameter                                    | Conditions                    | Min    | Max                     | Unit                 |
|------------------------|--|-------------------------------|--------|-------------------------|----------------------|
| t <sub>res(TIM)</sub>  | Timer resolution time                        | -                             | 1      | -                       | t <sub>TIMxCLK</sub> |
|                        |  | f <sub>TIMxCLK</sub> = 80 MHz | 12.5   | -                       | ns                   |
| f <sub>EXT</sub>       | Timer external clock frequency on CH1 to CH4 | -                             | 0      | f <sub>TIMxCLK</sub> /2 | MHz                  |
|                        |  | f <sub>TIMxCLK</sub> = 80 MHz | 0      | 40                      | MHz                  |
| Res <sub>TIM</sub>     | Timer resolution                             | TIMx (except TIM2 and TIM5)   | -      | 16                      | bit                  |
|                        |  | TIM2 and TIM5                 | -      | 32                      |                      |
| t <sub>COUNTER</sub>   | 16-bit counter clock period                  | -                             | 1      | 65536                   | t <sub>TIMxCLK</sub> |
|                        |  | f <sub>TIMxCLK</sub> = 80 MHz | 0.0125 | 819.2                   | μs                   |
| t <sub>MAX_COUNT</sub> | Maximum possible count with 32-bit counter   | -                             | -      | 65536 × 65536           | t <sub>TIMxCLK</sub> |
|                        |  | f <sub>TIMxCLK</sub> = 80 MHz | -      | 53.68                   | s                    |

1. TIMx is used as a general term in which x stands for 1,2,3,4,5,6,7,8,15,16 or 17.

**Table 93. IWDG min/max timeout period at 32 kHz (LSI)<sup>(1)</sup>**

| Prescaler divider | PR[2:0] bits | Min timeout RL[11:0]= 0x000 | Max timeout RL[11:0]= 0xFFFF | Unit |
|-------------------|--------------|-----------------------------|------------------------------|------|
| /4                | 0            | 0.125                       | 512                          | ms   |
| /8                | 1            | 0.250                       | 1024                         |      |
| /16               | 2            | 0.500                       | 2048                         |      |
| /32               | 3            | 1.0                         | 4096                         |      |
| /64               | 4            | 2.0                         | 8192                         |      |
| /128              | 5            | 4.0                         | 16384                        |      |
| /256              | 6 or 7       | 8.0                         | 32768                        |      |

1. The exact timings still depend on the phasing of the APB interface clock versus the LSI clock so that there is always a full RC period of uncertainty.

**Table 94. WWDG min/max timeout value at 80 MHz (PCLK)**

| Prescaler | WDGTB | Min timeout value | Max timeout value | Unit |
|-----------|-------|-------------------|-------------------|------|
| 1         | 0     | 0.0512            | 3.2768            | ms   |
| 2         | 1     | 0.1024            | 6.5536            |      |
| 4         | 2     | 0.2048            | 13.1072           |      |
| 8         | 3     | 0.4096            | 26.2144           |      |

## 6.3.28 Communication interfaces characteristics

### I<sup>2</sup>C interface characteristics

The I2C interface meets the timings requirements of the I<sup>2</sup>C-bus specification and user manual rev. 03 for:

- Standard-mode (Sm): with a bit rate up to 100 kbit/s
- Fast-mode (Fm): with a bit rate up to 400 kbit/s
- Fast-mode Plus (Fm+): with a bit rate up to 1 Mbit/s.

The I2C timings requirements are guaranteed by design when the I2C peripheral is properly configured (refer to RM0351 reference manual).

The SDA and SCL I/O requirements are met with the following restrictions: the SDA and SCL I/O pins are not “true” open-drain. When configured as open-drain, the PMOS connected between the I/O pin and V<sub>DDIOx</sub> is disabled, but is still present. Only FT\_f I/O pins support Fm+ low level output current maximum requirement. Refer to [Section 6.3.14: I/O port characteristics](#) for the I2C I/Os characteristics.

All I2C SDA and SCL I/Os embed an analog filter. Refer to the table below for the analog filter characteristics:

**Table 95. I2C analog filter characteristics<sup>(1)</sup>**

| Symbol          | Parameter  | Min               | Max                | Unit |
|-----------------|--|-------------------|--------------------|------|
| t <sub>AF</sub> | Maximum pulse width of spikes that are suppressed by the analog filter | 50 <sup>(2)</sup> | 260 <sup>(3)</sup> | ns   |

1. Guaranteed by design.
2. Spikes with widths below t<sub>AF(min)</sub> are filtered.
3. Spikes with widths above t<sub>AF(max)</sub> are not filtered

**SPI characteristics**

Unless otherwise specified, the parameters given in [Table 96](#) for SPI are derived from tests performed under the ambient temperature,  $f_{PCLKx}$  frequency and supply voltage conditions summarized in [Table 23: General operating conditions](#).

- Output speed is set to OSPEEDRy[1:0] = 11
- Capacitive load C = 30 pF
- Measurement points are done at CMOS levels:  $0.5 \times V_{DD}$

Refer to [Section 6.3.14: I/O port characteristics](#) for more details on the input/output alternate function characteristics (NSS, SCK, MOSI, MISO for SPI).

**Table 96. SPI characteristics<sup>(1)</sup>**

| Symbol                         | Parameter                | Conditions   | Min                 | Typ        | Max               | Unit |
|--------------------------------|--------------------------|--|---------------------|------------|-------------------|------|
| $f_{SCK}$<br>$1/t_{c(SCK)}$    | SPI clock frequency      | Master mode receiver/full duplex<br>$2.7 < V_{DD} < 3.6$ V<br>Voltage Range 1    | -                   | -          | 24                | MHz  |
|                                |                          | Master mode receiver/full duplex<br>$1.71 < V_{DD} < 3.6$ V<br>Voltage Range 1   |                     |            | 13                |      |
|                                |                          | Master mode transmitter<br>$1.71 < V_{DD} < 3.6$ V<br>Voltage Range 1            |                     |            | 40                |      |
|                                |                          | Slave mode receiver<br>$1.71 < V_{DD} < 3.6$ V<br>Voltage Range 1                |                     |            | 40                |      |
|                                |                          | Slave mode transmitter/full duplex<br>$2.7 < V_{DD} < 3.6$ V<br>Voltage Range 1  |                     |            | 26 <sup>(2)</sup> |      |
|                                |                          | Slave mode transmitter/full duplex<br>$1.71 < V_{DD} < 3.6$ V<br>Voltage Range 1 |                     |            | 16 <sup>(2)</sup> |      |
|                                |                          | Voltage Range 2  |                     |            | 13                |      |
|                                |                          | $1.08 < V_{DDIO2} < 1.32$ V <sup>(3)</sup>                                       |                     |            | 8                 |      |
| $t_{su(NSS)}$                  | NSS setup time           | Slave mode, SPI prescaler = 2  | $4 \times T_{PCLK}$ | -          | -                 | ns   |
| $t_{h(NSS)}$                   | NSS hold time            | Slave mode, SPI prescaler = 2  | $2 \times T_{PCLK}$ | -          | -                 | ns   |
| $t_{w(SCKH)}$<br>$t_{w(SCKL)}$ | SCK high and low time    | Master mode  | $T_{PCLK} - 2$      | $T_{PCLK}$ | $T_{PCLK} + 2$    | ns   |
| $t_{su(MI)}$                   | Data input setup time    | Master mode  | 3.5                 | -          | -                 | ns   |
| $t_{su(SI)}$                   |                          | Slave mode   | 3                   | -          | -                 |      |
| $t_{h(MI)}$                    | Data input hold time     | Master mode  | 6.5                 | -          | -                 | ns   |
| $t_{h(SI)}$                    |                          | Slave mode   | 3                   | -          | -                 |      |
| $t_{a(SO)}$                    | Data output access time  | Slave mode   | 9                   | -          | 36                | ns   |
| $t_{dis(SO)}$                  | Data output disable time | Slave mode   | 9                   | -          | 16                | ns   |



Table 96. SPI characteristics<sup>(1)</sup> (continued)

| Symbol      | Parameter              | Conditions  | Min | Typ  | Max  | Unit |
|-------------|------------------------|---|-----|------|------|------|
| $t_{v(SO)}$ | Data output valid time | Slave mode $2.7 < V_{DD} < 3.6$ V<br>Voltage Range 1  | -   | 12.5 | 19   | ns   |
|             |                        | Slave mode $1.71 < V_{DD} < 3.6$ V<br>Voltage Range 1 | -   | 12.5 | 30   |      |
|             |                        | Slave mode $1.71 < V_{DD} < 3.6$ V<br>Voltage Range 2 | -   | 12.5 | 33   |      |
| -           |                        | Slave mode $1.08 < V_{DDIO2} < 1.32$ V <sup>(3)</sup> | -   | 25   | 62.5 |      |
| $t_{v(MO)}$ |                        | Master mode   | -   | 2.5  | 12.5 |      |
| $t_{h(SO)}$ | Data output hold time  | Slave mode  | 9   | -    | -    | ns   |
| -           |                        | Slave mode $1.08 < V_{DDIO2} < 1.32$ V <sup>(3)</sup> | 24  | -    | -    |      |
| $t_{h(MO)}$ |                        | Master mode   | 0   | -    | -    |      |

1. Guaranteed by characterization results.
2. Maximum frequency in Slave transmitter mode is determined by the sum of  $t_{v(SO)}$  and  $t_{su(MI)}$  which has to fit into SCK low or high phase preceding the SCK sampling edge. This value can be achieved when the SPI communicates with a master having  $t_{su(MI)} = 0$  while Duty(SCK) = 50 %.
3. SPI mapped on Port G.

Figure 32. SPI timing diagram - slave mode and CPHA = 0

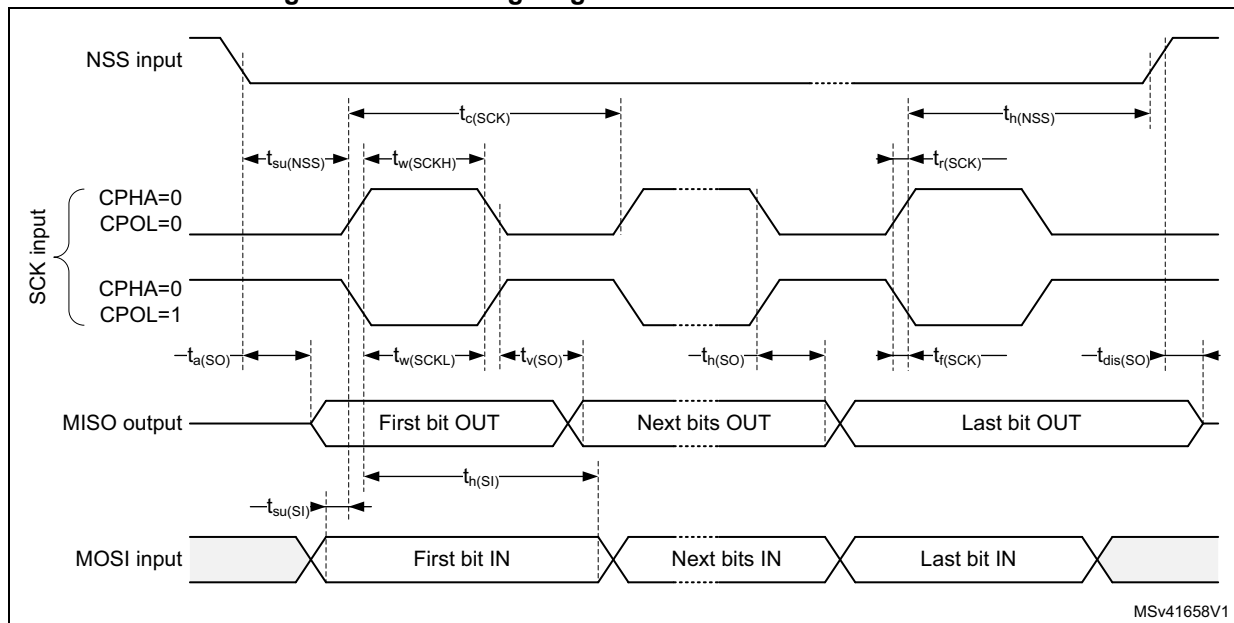
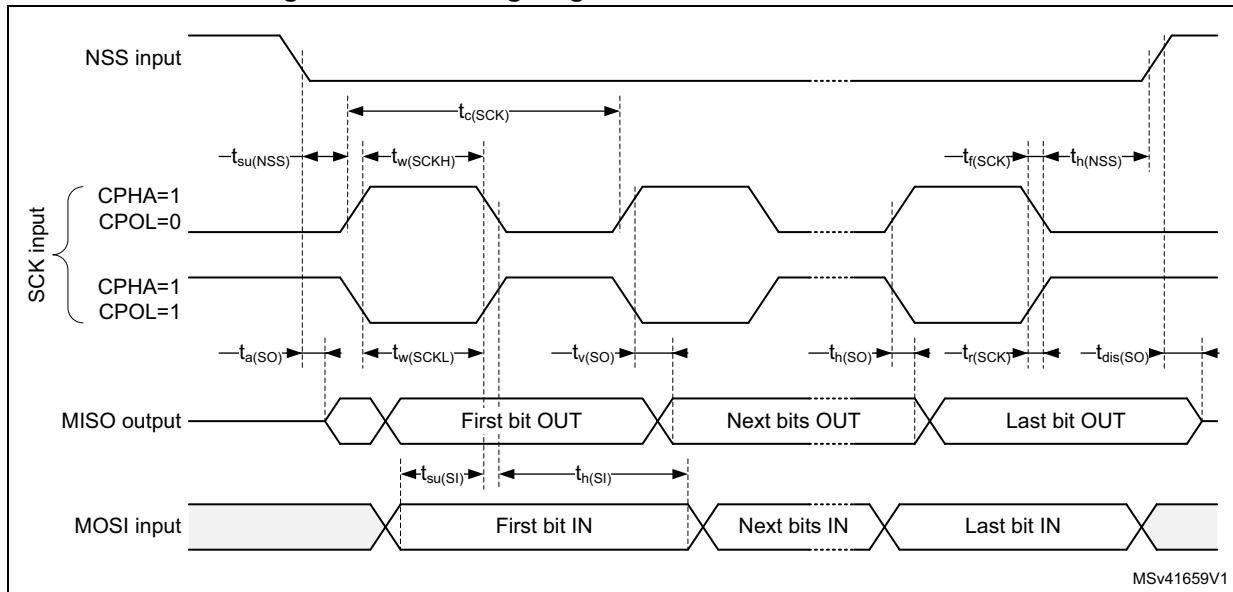
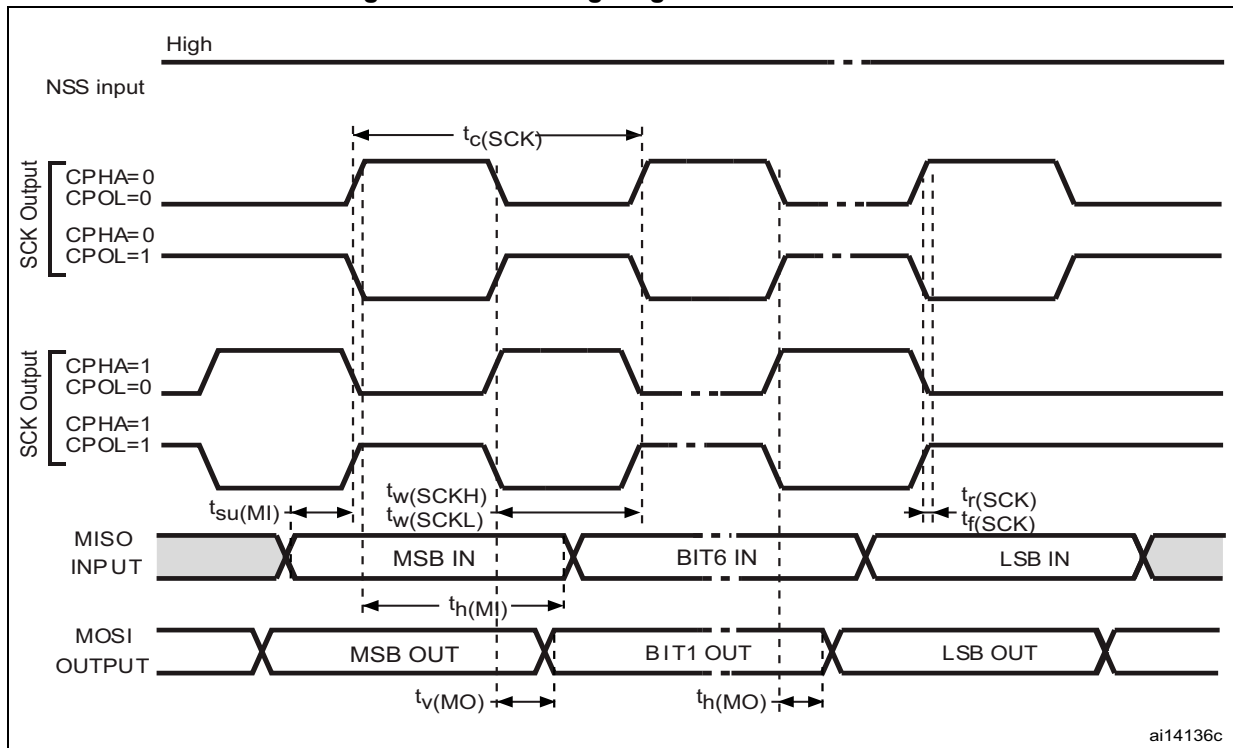


Figure 33. SPI timing diagram - slave mode and CPHA = 1



1. Measurement points are done at CMOS levels: 0.3  $V_{DD}$  and 0.7  $V_{DD}$ .

Figure 34. SPI timing diagram - master mode



1. Measurement points are done at CMOS levels: 0.3  $V_{DD}$  and 0.7  $V_{DD}$ .

**Quad SPI characteristics**

Unless otherwise specified, the parameters given in [Table 97](#) and [Table 98](#) for Quad SPI are derived from tests performed under the ambient temperature,  $f_{AHB}$  frequency and  $V_{DD}$  supply voltage conditions summarized in [Table 23: General operating conditions](#), with the following configuration:

- Output speed is set to  $OSPEEDRy[1:0] = 11$
- Capacitive load  $C = 15$  or  $20$  pF
- Measurement points are done at CMOS levels:  $0.5 \times V_{DD}$

Refer to [Section 6.3.14: I/O port characteristics](#) for more details on the input/output alternate function characteristics.

**Table 97. Quad SPI characteristics in SDR mode<sup>(1)</sup>**

| Symbol                 | Parameter                        | Conditions   | Min          | Typ | Max          | Unit |
|------------------------|----------------------------------|--|--------------|-----|--------------|------|
| $F_{CK}$<br>$1/t_{CK}$ | Quad SPI clock frequency         | $1.71 < V_{DD} < 3.6$ V, $C_{LOAD} = 20$ pF<br>Voltage Range 1 | -            | -   | 40           | MHz  |
|                        |                                  | $1.71 < V_{DD} < 3.6$ V, $C_{LOAD} = 15$ pF<br>Voltage Range 1 | -            | -   | 48           |      |
|                        |                                  | $2.7 < V_{DD} < 3.6$ V, $C_{LOAD} = 15$ pF<br>Voltage Range 1  | -            | -   | 60           |      |
|                        |                                  | $1.71 < V_{DD} < 3.6$ V $C_{LOAD} = 20$ pF<br>Voltage Range 2  | -            | -   | 26           |      |
| $t_{w(CKH)}$           | Quad SPI clock high and low time | $f_{AHBCLK} = 48$ MHz, presc=0                                 | $t_{CK}/2-2$ | -   | $t_{CK}/2$   | ns   |
| $t_{w(CKL)}$           |                                  |  | $t_{CK}/2$   | -   | $t_{CK}/2+2$ |      |
| $t_{s(IN)}$            | Data input setup time            | Voltage Range 1  | 4            | -   | -            |      |
|                        |                                  | Voltage Range 2  | 3.5          | -   | -            |      |
| $t_{h(IN)}$            | Data input hold time             | Voltage Range 1  | 5.5          | -   | -            |      |
|                        |                                  | Voltage Range 2  | 6.5          | -   | -            |      |
| $t_{v(OUT)}$           | Data output valid time           | Voltage Range 1  | -            | 2.5 | 5            |      |
|                        |                                  | Voltage Range 2  | -            | 3   | 5            |      |
| $t_{h(OUT)}$           | Data output hold time            | Voltage Range 1  | 1.5          | -   | -            |      |
|                        |                                  | Voltage Range 2  | 2            | -   | -            |      |

1. Guaranteed by characterization results.

Table 98. QUADSPI characteristics in DDR mode<sup>(1)</sup>

| Symbol                                      | Parameter                        | Conditions   | Min                   | Typ | Max                   | Unit |
|---|----------------------------------|--|-----------------------|-----|-----------------------|------|
| F <sub>CK</sub><br>1/t <sub>(CK)</sub>      | Quad SPI clock frequency         | 1.71 < V <sub>DD</sub> < 3.6 V, C <sub>LOAD</sub> = 20 pF<br>Voltage Range 1 | -                     | -   | 40                    | MHz  |
|   |                                  | 2 < V <sub>DD</sub> < 3.6 V, C <sub>LOAD</sub> = 20 pF<br>Voltage Range 1    | -                     | -   | 48                    |      |
|   |                                  | 1.71 < V <sub>DD</sub> < 3.6 V, C <sub>LOAD</sub> = 15 pF<br>Voltage Range 1 | -                     | -   | 48                    |      |
|   |                                  | 1.71 < V <sub>DD</sub> < 3.6 V C <sub>LOAD</sub> = 20 pF<br>Voltage Range 2  | -                     | -   | 26                    |      |
| t <sub>w(CKH)</sub>                         | Quad SPI clock high and low time | f <sub>AHBCLK</sub> = 48 MHz, presc=0  | t <sub>(CK)/2-2</sub> | -   | t <sub>(CK)/2</sub>   | ns   |
| t <sub>w(CKL)</sub>                         |                                  |  | t <sub>(CK)/2</sub>   | -   | t <sub>(CK)/2+2</sub> |      |
| t <sub>sf(IN)</sub> ; t <sub>sr(IN)</sub>   | Data input setup time            | Voltage Range 1 and 2  | 3.5                   | -   | -                     |      |
| t <sub>hf(IN)</sub> ; t <sub>hr(IN)</sub>   | Data input hold time             |  | 6.5                   | -   | -                     |      |
| t <sub>vf(OUT)</sub> ; t <sub>vr(OUT)</sub> | Data output valid time           | Voltage Range 1  | -                     | 11  | 12                    |      |
|   |                                  | Voltage Range 2  | -                     | 15  | 19                    |      |
| t <sub>hf(OUT)</sub> ; t <sub>hr(OUT)</sub> | Data output hold time            | Voltage Range 1  | 6                     | -   | -                     |      |
|   |                                  | Voltage Range 2  | 8                     | -   | -                     |      |

1. Guaranteed by characterization results.

Figure 35. Quad SPI timing diagram - SDR mode

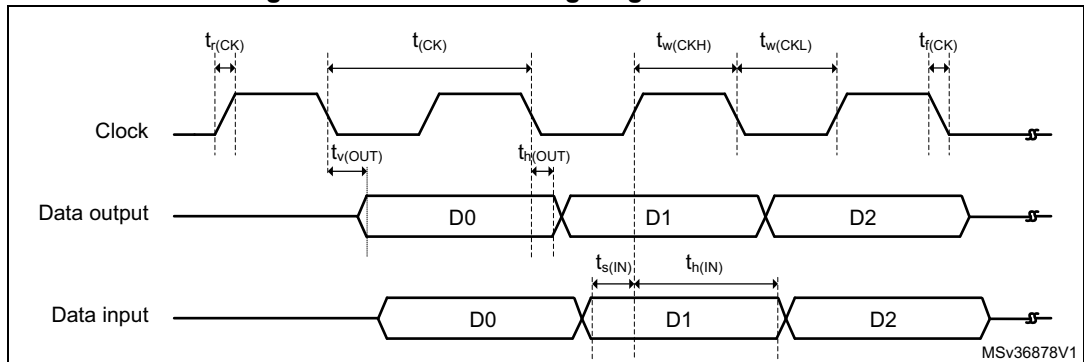
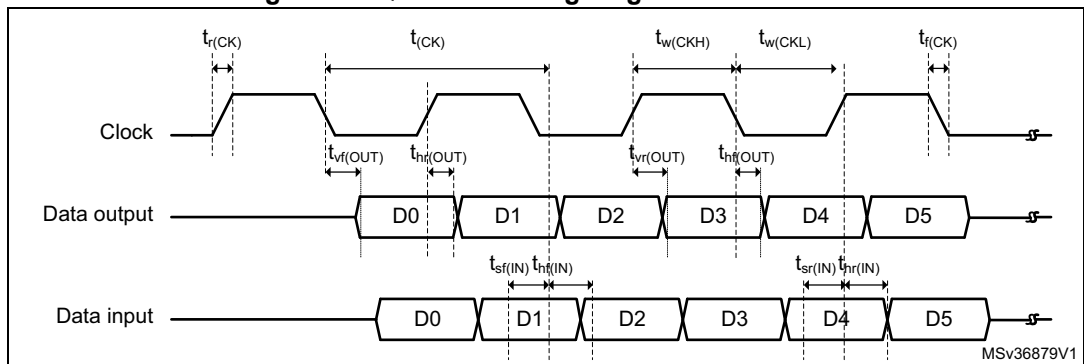


Figure 36. Quad SPI timing diagram - DDR mode



**SAI characteristics**

Unless otherwise specified, the parameters given in [Table 99](#) for SAI are derived from tests performed under the ambient temperature,  $f_{PCLKx}$  frequency and  $V_{DD}$  supply voltage conditions summarized in [Table 23: General operating conditions](#), with the following configuration:

- Output speed is set to  $OSPEEDRy[1:0] = 10$
- Capacitive load  $C = 30$  pF
- Measurement points are done at CMOS levels:  $0.5 \times V_{DD}$

Refer to [Section 6.3.14: I/O port characteristics](#) for more details on the input/output alternate function characteristics (CK,SD,FS).

**Table 99. SAI characteristics<sup>(1)</sup>**

| Symbol              | Parameter                          | Conditions   | Min | Max  | Unit |
|---------------------|------------------------------------|--|-----|------|------|
| $f_{MCLK}$          | SAI Main clock output              | -  | -   | 50   | MHz  |
| $f_{CK}$            | SAI clock frequency <sup>(2)</sup> | Master transmitter<br>$2.7 \leq V_{DD} \leq 3.6$<br>Voltage Range 1  | -   | 18.5 | MHz  |
|                     |                                    | Master transmitter<br>$1.71 \leq V_{DD} \leq 3.6$<br>Voltage Range 1 | -   | 12.5 |      |
|                     |                                    | Master receiver<br>Voltage Range 1                                   | -   | 25   |      |
|                     |                                    | Slave transmitter<br>$2.7 \leq V_{DD} \leq 3.6$<br>Voltage Range 1   | -   | 22.5 |      |
|                     |                                    | Slave transmitter<br>$1.71 \leq V_{DD} \leq 3.6$<br>Voltage Range 1  | -   | 14.5 |      |
|                     |                                    | Slave receiver<br>Voltage Range 1                                    | -   | 25   |      |
|                     |                                    | Voltage Range 2  | -   | 12.5 |      |
| $t_{v(FS)}$         | FS valid time                      | Master mode<br>$2.7 \leq V_{DD} \leq 3.6$                            | -   | 22   | ns   |
|                     |                                    | Master mode<br>$1.71 \leq V_{DD} \leq 3.6$                           | -   | 40   |      |
| $t_{h(FS)}$         | FS hold time                       | Master mode  | 10  | -    | ns   |
| $t_{su(FS)}$        | FS setup time                      | Slave mode   | 1   | -    | ns   |
| $t_{h(FS)}$         | FS hold time                       | Slave mode   | 2   | -    | ns   |
| $t_{su(SD\_A\_MR)}$ | Data input setup time              | Master receiver  | 2.5 | -    | ns   |
| $t_{su(SD\_B\_SR)}$ |                                    | Slave receiver   | 3   | -    |      |
| $t_{h(SD\_A\_MR)}$  | Data input hold time               | Master receiver  | 8   | -    | ns   |
| $t_{h(SD\_B\_SR)}$  |                                    | Slave receiver   | 4   | -    |      |





Table 99. SAI characteristics<sup>(1)</sup> (continued)

| Symbol             | Parameter              | Conditions  | Min | Max | Unit |
|--------------------|------------------------|---|-----|-----|------|
| $t_{v(SD\_B\_ST)}$ | Data output valid time | Slave transmitter (after enable edge)<br>$2.7 \leq V_{DD} \leq 3.6$   | -   | 22  | ns   |
|                    |                        | Slave transmitter (after enable edge)<br>$1.71 \leq V_{DD} \leq 3.6$  | -   | 34  |      |
| $t_{h(SD\_B\_ST)}$ | Data output hold time  | Slave transmitter (after enable edge)                                 | 10  | -   | ns   |
| $t_{v(SD\_A\_MT)}$ | Data output valid time | Master transmitter (after enable edge)<br>$2.7 \leq V_{DD} \leq 3.6$  | -   | 27  | ns   |
|                    |                        | Master transmitter (after enable edge)<br>$1.71 \leq V_{DD} \leq 3.6$ | -   | 40  |      |
| $t_{h(SD\_A\_MT)}$ | Data output hold time  | Master transmitter (after enable edge)                                | 10  | -   | ns   |

1. Guaranteed by characterization results.
2. APB clock frequency must be at least twice SAI clock frequency.

Figure 37. SAI master timing waveforms

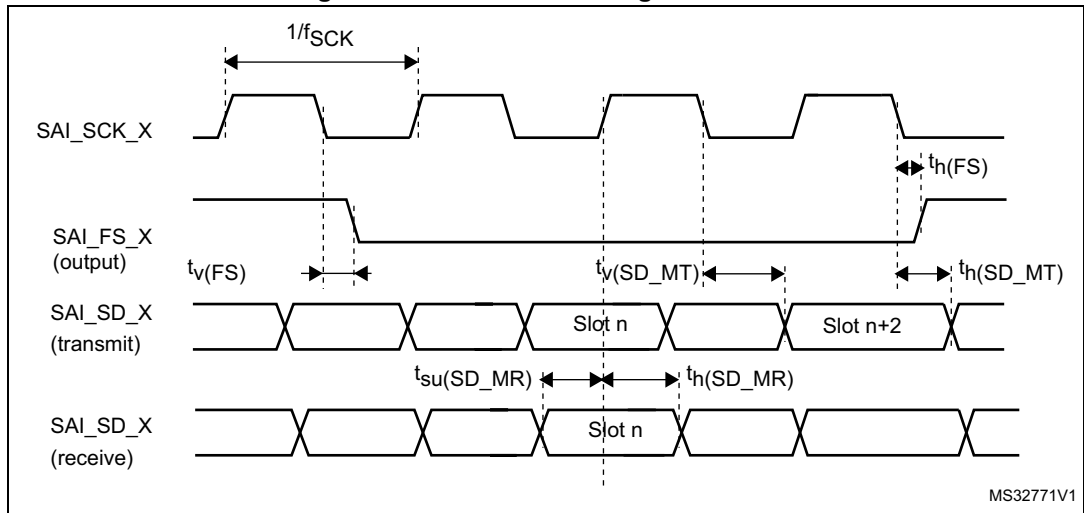
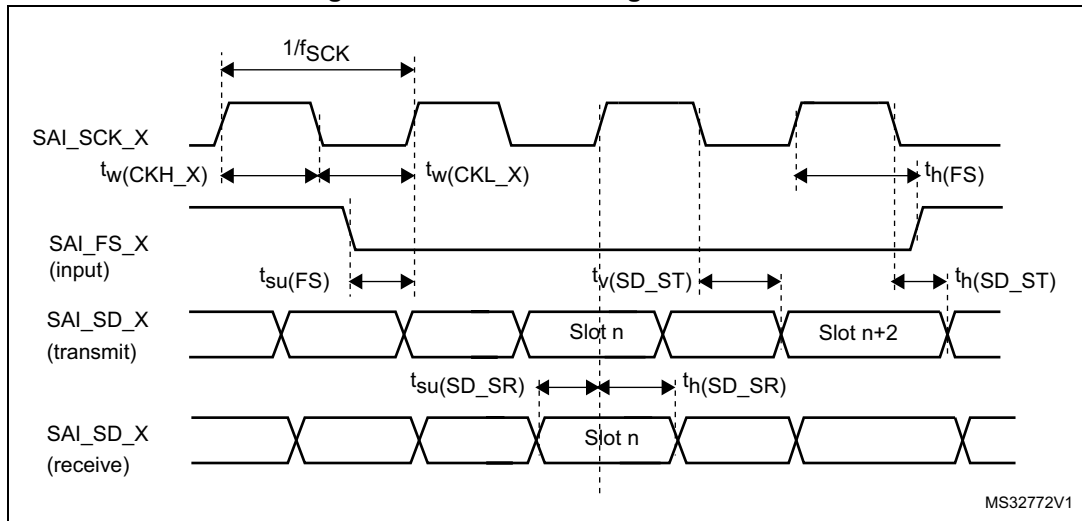


Figure 38. SAI slave timing waveforms



**SDMMC characteristics**

Unless otherwise specified, the parameters given in [Table 100](#) for SDIO are derived from tests performed under the ambient temperature, fPCLKx frequency and VDD supply voltage conditions summarized in [Table 23: General operating conditions](#), with the following configuration:

- Output speed is set to OSPEEDRy[1:0] = 11
- Capacitive load C = 30 pF
- Measurement points are done at CMOS levels: 0.5 x VDD

Refer to [Section 6.3.14: I/O port characteristics](#) for more details on the input/output characteristics.

Table 100. SD / MMC dynamic characteristics, VDD=2.7 V to 3.6 V<sup>(1)</sup>

| Symbol   | Parameter                             | Conditions   | Min | Typ | Max | Unit |
|--|---------------------------------------|--------------|-----|-----|-----|------|
| fPP  | Clock frequency in data transfer mode | -            | 0   | -   | 50  | MHz  |
| -  | SDIO_CK/fPCLK2 frequency ratio        | -            | -   | -   | 4/3 | -    |
| tW(CKL)  | Clock low time                        | fPP = 50 MHz | 8   | 10  | -   | ns   |
| tW(CKH)  | Clock high time                       | fPP = 50 MHz | 8   | 10  | -   | ns   |
| <b>CMD, D inputs (referenced to CK) in MMC and SD HS mode</b>  |                                       |              |     |     |     |      |
| tISU   | Input setup time HS                   | fPP = 50 MHz | 2   | -   | -   | ns   |
| tIH  | Input hold time HS                    | fPP = 50 MHz | 4.5 | -   | -   | ns   |
| <b>CMD, D outputs (referenced to CK) in MMC and SD HS mode</b> |                                       |              |     |     |     |      |
| tOV  | Output valid time HS                  | fPP = 50 MHz | -   | 12  | 14  | ns   |
| tOH  | Output hold time HS                   | fPP = 50 MHz | 9   | -   | -   | ns   |
| <b>CMD, D inputs (referenced to CK) in SD default mode</b>     |                                       |              |     |     |     |      |
| tISUD  | Input setup time SD                   | fPP = 50 MHz | 2   | -   | -   | ns   |
| tIHD   | Input hold time SD                    | fPP = 50 MHz | 4.5 | -   | -   | ns   |

**Table 100. SD / MMC dynamic characteristics,  $V_{DD}=2.7\text{ V to }3.6\text{ V}^{(1)}$  (continued)**

| Symbol  | Parameter                    | Conditions               | Min | Typ | Max | Unit |
|---|------------------------------|--------------------------|-----|-----|-----|------|
| <b>CMD, D outputs (referenced to CK) in SD default mode</b> |                              |                          |     |     |     |      |
| $t_{OVD}$   | Output valid default time SD | $f_{PP} = 50\text{ MHz}$ | -   | 4.5 | 5   | ns   |
| $t_{OHD}$   | Output hold default time SD  | $f_{PP} = 50\text{ MHz}$ | 0   | -   | -   | ns   |

1. Guaranteed by characterization results.

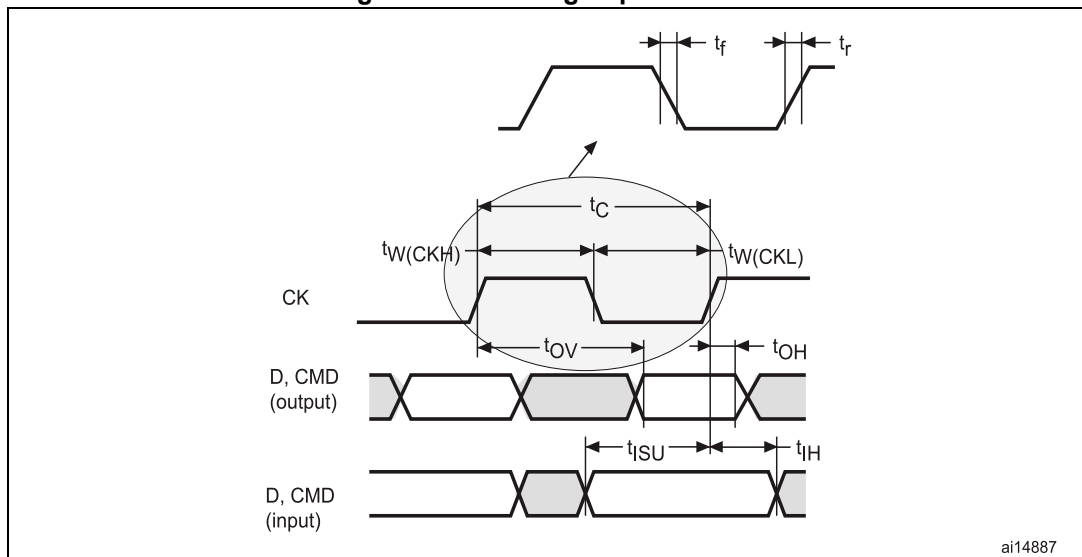
**Table 101. eMMC dynamic characteristics,  $V_{DD} = 1.71\text{ V to }1.9\text{ V}^{(1)(2)}$**

| Symbol  | Parameter                             | Conditions               | Min | Typ  | Max  | Unit |
|---|---------------------------------------|--------------------------|-----|------|------|------|
| $f_{PP}$  | Clock frequency in data transfer mode | -                        | 0   | -    | 50   | MHz  |
| -   | SDIO_CK/ $f_{PCLK2}$ frequency ratio  | -                        | -   | -    | 4/3  | -    |
| $t_{W(CKL)}$  | Clock low time                        | $f_{PP} = 50\text{ MHz}$ | 8   | 10   | -    | ns   |
| $t_{W(CKH)}$  | Clock high time                       | $f_{PP} = 50\text{ MHz}$ | 8   | 10   | -    | ns   |
| <b>CMD, D inputs (referenced to CK) in eMMC mode</b>  |                                       |                          |     |      |      |      |
| $t_{ISU}$   | Input setup time HS                   | $f_{PP} = 50\text{ MHz}$ | 0   | -    | -    | ns   |
| $t_{IH}$  | Input hold time HS                    | $f_{PP} = 50\text{ MHz}$ | 5   | -    | -    | ns   |
| <b>CMD, D outputs (referenced to CK) in eMMC mode</b> |                                       |                          |     |      |      |      |
| $t_{OV}$  | Output valid time HS                  | $f_{PP} = 50\text{ MHz}$ | -   | 13.5 | 15.5 | ns   |
| $t_{OH}$  | Output hold time HS                   | $f_{PP} = 50\text{ MHz}$ | 9   | -    | -    | ns   |

1. Guaranteed by characterization results.

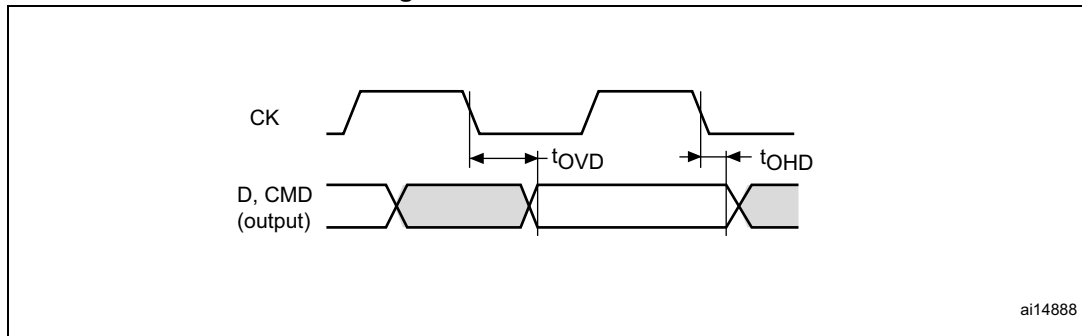
2.  $C_{LOAD} = 20\text{ pF}$ .

**Figure 39. SDIO high-speed mode**



ai14887

Figure 40. SD default mode



ai14888

USB OTG full speed (FS) characteristics

The STM32L486xx USB interface is fully compliant with the USB specification version 2.0 and is USB-IF certified (for Full-speed device operation).

Table 102. USB OTG DC electrical characteristics

| Symbol                         | Parameter  | Conditions  | Min <sup>(1)</sup> | Typ  | Max <sup>(1)</sup> | Unit |
|--------------------------------|--|---|--------------------|------|--------------------|------|
| V <sub>DDUSB</sub>             | USB OTG full speed transceiver operating voltage | -   | 3.0 <sup>(2)</sup> | -    | 3.6                | V    |
| V <sub>DI</sub> <sup>(3)</sup> | Differential input sensitivity                   | Over V <sub>CM</sub> range                                | 0.2                | -    | -                  | V    |
| V <sub>CM</sub> <sup>(3)</sup> | Differential input common mode range             | Includes V <sub>DI</sub> range                            | 0.8                | -    | 2.5                |      |
| V <sub>SE</sub> <sup>(3)</sup> | Single ended receiver input threshold            | -   | 0.8                | -    | 2.0                |      |
| V <sub>OL</sub>                | Static output level low                          | R <sub>L</sub> of 1.5 kΩ to 3.6 V <sup>(4)</sup>          | -                  | -    | 0.3                | V    |
| V <sub>OH</sub>                | Static output level high                         | R <sub>L</sub> of 15 kΩ to V <sub>SS</sub> <sup>(4)</sup> | 2.8                | -    | 3.6                |      |
| R <sub>PD</sub> <sup>(3)</sup> | Pull down resistor on PA11, PA12 (USB_FS_DP/DM)  | V <sub>IN</sub> = V <sub>DD</sub>                         | 14.25              | -    | 24.8               | kΩ   |
| R <sub>PU</sub> <sup>(3)</sup> | Pull Up Resistor on PA12 (USB_FS_DP)             | V <sub>IN</sub> = V <sub>SS</sub> , during idle           | 0.9                | 1.25 | 1.575              | kΩ   |
|                                | Pull Up Resistor on PA12 (USB_FS_DP)             | V <sub>IN</sub> = V <sub>SS</sub> during reception        | 1.425              | 2.25 | 3.09               | kΩ   |
|                                | Pull Up Resistor on PA10 (OTG_FS_ID)             | -   | -                  | -    | 14.5               | kΩ   |

1. All the voltages are measured from the local ground potential.
2. The USB OTG full speed transceiver functionality is ensured down to 2.7 V but not the full USB full speed electrical characteristics which are degraded in the 2.7-to-3.0 V V<sub>DD</sub> voltage range.
3. Guaranteed by design.
4. R<sub>L</sub> is the load connected on the USB OTG full speed drivers.

Note: When VBUS sensing feature is enabled, PA9 should be left at its default state (floating input), not as alternate function. A typical 200 μA current consumption of the sensing block (current to voltage conversion to determine the different sessions) can be observed on PA9 when the feature is enabled.

Figure 41. USB OTG timings – definition of data signal rise and fall time

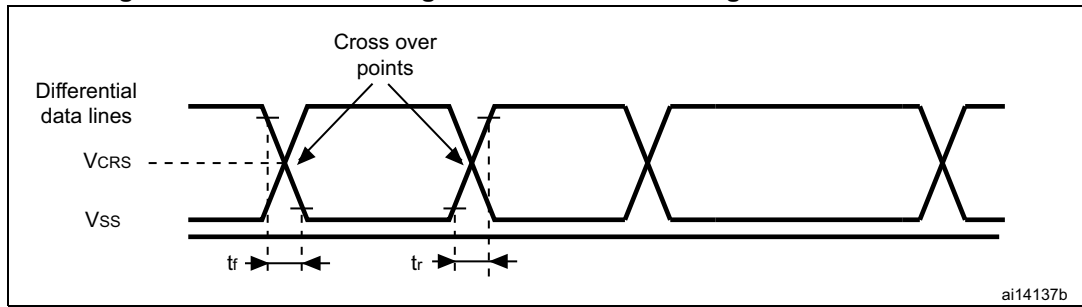


Table 103. USB OTG electrical characteristics<sup>(1)</sup>

| Driver characteristics |   |                                |     |     |      |
|------------------------|---|--------------------------------|-----|-----|------|
| Symbol                 | Parameter                               | Conditions                     | Min | Max | Unit |
| t <sub>rLS</sub>       | Rise time in LS <sup>(2)</sup>          | C <sub>L</sub> = 200 to 600 pF | 75  | 300 | ns   |
| t <sub>fLS</sub>       | Fall time in LS <sup>(2)</sup>          | C <sub>L</sub> = 200 to 600 pF | 75  | 300 | ns   |
| t <sub>rfmLS</sub>     | Rise/ fall time matching in LS          | t <sub>r</sub> /t <sub>f</sub> | 80  | 125 | %    |
| t <sub>rFS</sub>       | Rise time in FS <sup>(2)</sup>          | C <sub>L</sub> = 50 pF         | 4   | 20  | ns   |
| t <sub>fFS</sub>       | Fall time in FS <sup>(2)</sup>          | C <sub>L</sub> = 50 pF         | 4   | 20  | ns   |
| t <sub>rfmFS</sub>     | Rise/ fall time matching in FS          | t <sub>r</sub> /t <sub>f</sub> | 90  | 111 | %    |
| V <sub>CRS</sub>       | Output signal crossover voltage (LS/FS) | -                              | 1.3 | 2.0 | V    |
| Z <sub>DRV</sub>       | Output driver impedance <sup>(3)</sup>  | Driving high or low            | 28  | 44  | Ω    |

1. Guaranteed by design.
2. Measured from 10% to 90% of the data signal. For more detailed informations, please refer to USB Specification - Chapter 7 (version 2.0).
3. No external termination series resistors are required on DP (D+) and DM (D-) pins since the matching impedance is included in the embedded driver.

Table 104. USB BCD DC electrical characteristics<sup>(1)</sup>

| Symbol                  | Parameter                                       | Conditions | Min. | Typ. | Max. | Unit |
|-------------------------|---|------------|------|------|------|------|
| I <sub>DD(USBBCD)</sub> | Primary detection mode consumption              | -          | -    | -    | 300  | μA   |
|                         | Secondary detection mode consumption            | -          | -    | -    | 300  | μA   |
| RDAT_LKG                | Data line leakage resistance                    | -          | 300  | -    | -    | kΩ   |
| VDAT_LKG                | Data line leakage voltage                       | -          | 0.0  | -    | 3.6  | V    |
| RDCP_DAT                | Dedicated charging port resistance across D+/D- | -          | -    | -    | 200  | Ω    |
| VLGC_HI                 | Logic high                                      | -          | 2.0  | -    | 3.6  | V    |
| VLGC_LOW                | Logic low                                       | -          | -    | -    | 0.8  | V    |
| VLGC                    | Logic threshold                                 | -          | 0.8  | -    | 2.0  | V    |

Table 104. USB BCD DC electrical characteristics<sup>(1)</sup> (continued)

| Symbol               | Parameter           | Conditions | Min. | Typ. | Max. | Unit |
|----------------------|---------------------|------------|------|------|------|------|
| V <sub>DAT_REF</sub> | Data detect voltage | -          | 0.25 | -    | 0.4  | V    |
| V <sub>DP_SRC</sub>  | D+ source voltage   | -          | 0.5  | -    | 0.7  | V    |
| V <sub>DM_SRC</sub>  | D- source voltage   | -          | 0.5  | -    | 0.7  | V    |
| I <sub>DP_SINK</sub> | D+ sink current     | -          | 25   | -    | 175  | μA   |
| I <sub>DM_SINK</sub> | D- sink current     | -          | 25   | -    | 175  | μA   |

1. Guaranteed by design.

### CAN (controller area network) interface

Refer to [Section 6.3.14: I/O port characteristics](#) for more details on the input/output alternate function characteristics (CAN\_TX and CAN\_RX).

### 6.3.29 FSMC characteristics

Unless otherwise specified, the parameters given in [Table 105](#) to [Table 118](#) for the FMC interface are derived from tests performed under the ambient temperature,  $f_{\text{HCLK}}$  frequency and  $V_{\text{DD}}$  supply voltage conditions summarized in [Table 23](#), with the following configuration:

- Output speed is set to  $\text{OSPEEDRy}[1:0] = 11$
- Capacitive load  $C = 30 \text{ pF}$
- Measurement points are done at CMOS levels:  $0.5V_{\text{DD}}$

Refer to [Section 6.3.14: I/O port characteristics](#) for more details on the input/output characteristics.

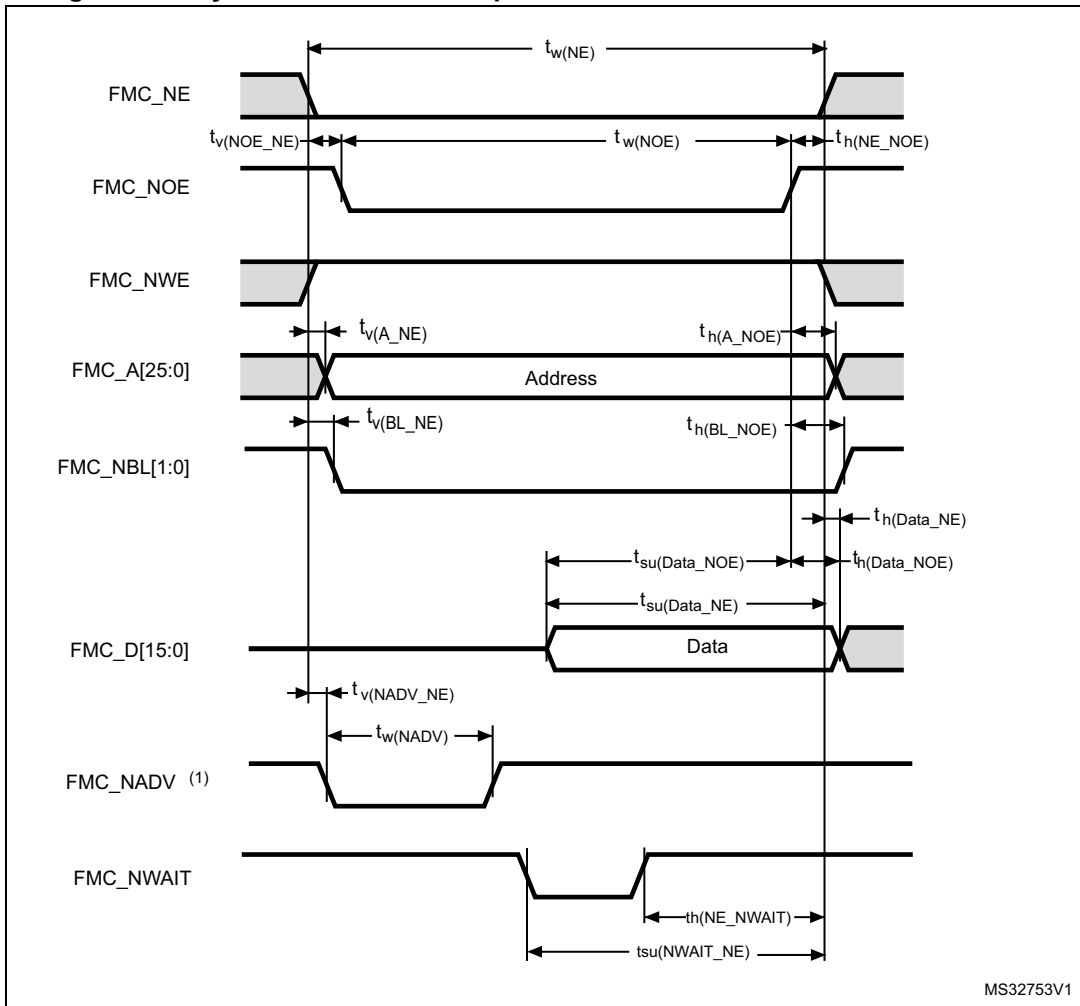
#### Asynchronous waveforms and timings

[Figure 42](#) through [Figure 45](#) represent asynchronous waveforms and [Table 105](#) through [Table 112](#) provide the corresponding timings. The results shown in these tables are obtained with the following FMC configuration:

- $\text{AddressSetupTime} = 0x1$
- $\text{AddressHoldTime} = 0x1$
- $\text{DataSetupTime} = 0x1$  (except for asynchronous NWAIT mode,  $\text{DataSetupTime} = 0x5$ )
- $\text{BusTurnAroundDuration} = 0x0$

In all timing tables, the THCLK is the HCLK clock period.

Figure 42. Asynchronous non-multiplexed SRAM/PSRAM/NOR read waveforms





**Table 105. Asynchronous non-multiplexed SRAM/PSRAM/NOR read timings<sup>(1)(2)</sup>**

| Symbol             | Parameter                             | Min             | Max             | Unit |
|--------------------|---------------------------------------|-----------------|-----------------|------|
| $t_{w(NE)}$        | FMC_NE low time                       | $2T_{HCLK}-0.5$ | $2T_{HCLK}+0.5$ | ns   |
| $t_{v(NOENOE)}$    | FMC_NEx low to FMC_NOE low            | 0               | 1               |      |
| $t_{w(NOE)}$       | FMC_NOE low time                      | $2T_{HCLK}-0.5$ | $2T_{HCLK}+1$   |      |
| $t_{h(NE_NOE)}$    | FMC_NOE high to FMC_NE high hold time | 0               | -               |      |
| $t_{v(A_NE)}$      | FMC_NEx low to FMC_A valid            | -               | 3.5             |      |
| $t_{h(A_NOE)}$     | Address hold time after FMC_NOE high  | 0               | -               |      |
| $t_{v(BL_NE)}$     | FMC_NEx low to FMC_BL valid           | -               | 2               |      |
| $t_{h(BL_NOE)}$    | FMC_BL hold time after FMC_NOE high   | 0               | -               |      |
| $t_{su(Data_NE)}$  | Data to FMC_NEx high setup time       | $T_{HCLK}-1$    | -               |      |
| $t_{su(Data_NOE)}$ | Data to FMC_NOEx high setup time      | $T_{HCLK}-0.5$  | -               |      |
| $t_{h(Data_NOE)}$  | Data hold time after FMC_NOE high     | 0               | -               |      |
| $t_{h(Data_NE)}$   | Data hold time after FMC_NEx high     | 0               | -               |      |
| $t_{v(NADV_NE)}$   | FMC_NEx low to FMC_NADV low           | -               | 1               |      |
| $t_{w(NADV)}$      | FMC_NADV low time                     | -               | $T_{HCLK}+0.5$  |      |

1. CL = 30 pF.
2. Guaranteed by characterization results.

**Table 106. Asynchronous non-multiplexed SRAM/PSRAM/NOR read-NWAIT timings<sup>(1)(2)</sup>**

| Symbol             | Parameter                                 | Min             | Max             | Unit |
|--------------------|---|-----------------|-----------------|------|
| $t_{w(NE)}$        | FMC_NE low time                           | $7T_{HCLK}-0.5$ | $7T_{HCLK}+0.5$ | ns   |
| $t_{w(NOE)}$       | FMC_NWE low time                          | $5T_{HCLK}-0.5$ | $5T_{HCLK}+0.5$ |      |
| $t_{w(NWAIT)}$     | FMC_NWAIT low time                        | $T_{HCLK}-0.5$  | -               |      |
| $t_{su(NWAIT_NE)}$ | FMC_NWAIT valid before FMC_NEx high       | $5T_{HCLK}+2$   | -               |      |
| $t_{h(NE_NWAIT)}$  | FMC_NEx hold time after FMC_NWAIT invalid | $4T_{HCLK}$     | -               |      |

1. CL = 30 pF.
2. Guaranteed by characterization results.

Figure 43. Asynchronous non-multiplexed SRAM/PSRAM/NOR write waveforms



MS32754V1

Table 107. Asynchronous non-multiplexed SRAM/PSRAM/NOR write timings<sup>(1)(2)</sup>

| Symbol             | Parameter                             | Min            | Max            | Unit |
|--------------------|---------------------------------------|----------------|----------------|------|
| $t_{w(NE)}$        | FMC_NE low time                       | $3T_{HCLK}-1$  | $3T_{HCLK}+2$  | ns   |
| $t_{v(NWE\_NE)}$   | FMC_NEx low to FMC_NWE low            | $T_{HCLK}-0.5$ | $T_{HCLK}+1.5$ |      |
| $t_{w(NWE)}$       | FMC_NWE low time                      | $T_{HCLK}-1$   | $T_{HCLK}+1$   |      |
| $t_{h(NE\_NWE)}$   | FMC_NWE high to FMC_NE high hold time | $T_{HCLK}-0.5$ | -              |      |
| $t_{v(A\_NE)}$     | FMC_NEx low to FMC_A valid            | -              | 0              |      |
| $t_{h(A\_NWE)}$    | Address hold time after FMC_NWE high  | $T_{HCLK}-1$   | -              |      |
| $t_{v(BL\_NE)}$    | FMC_NEx low to FMC_BL valid           | -              | 1.5            |      |
| $t_{h(BL\_NWE)}$   | FMC_BL hold time after FMC_NWE high   | $T_{HCLK}-0.5$ | -              |      |
| $t_{v(Data\_NE)}$  | Data to FMC_NEx low to Data valid     | -              | $T_{HCLK}+4$   |      |
| $t_{h(Data\_NWE)}$ | Data hold time after FMC_NWE high     | $T_{HCLK}+1$   | -              |      |
| $t_{v(NADV\_NE)}$  | FMC_NEx low to FMC_NADV low           | -              | 1              |      |
| $t_{w(NADV)}$      | FMC_NADV low time                     | -              | $T_{HCLK}+0.5$ |      |

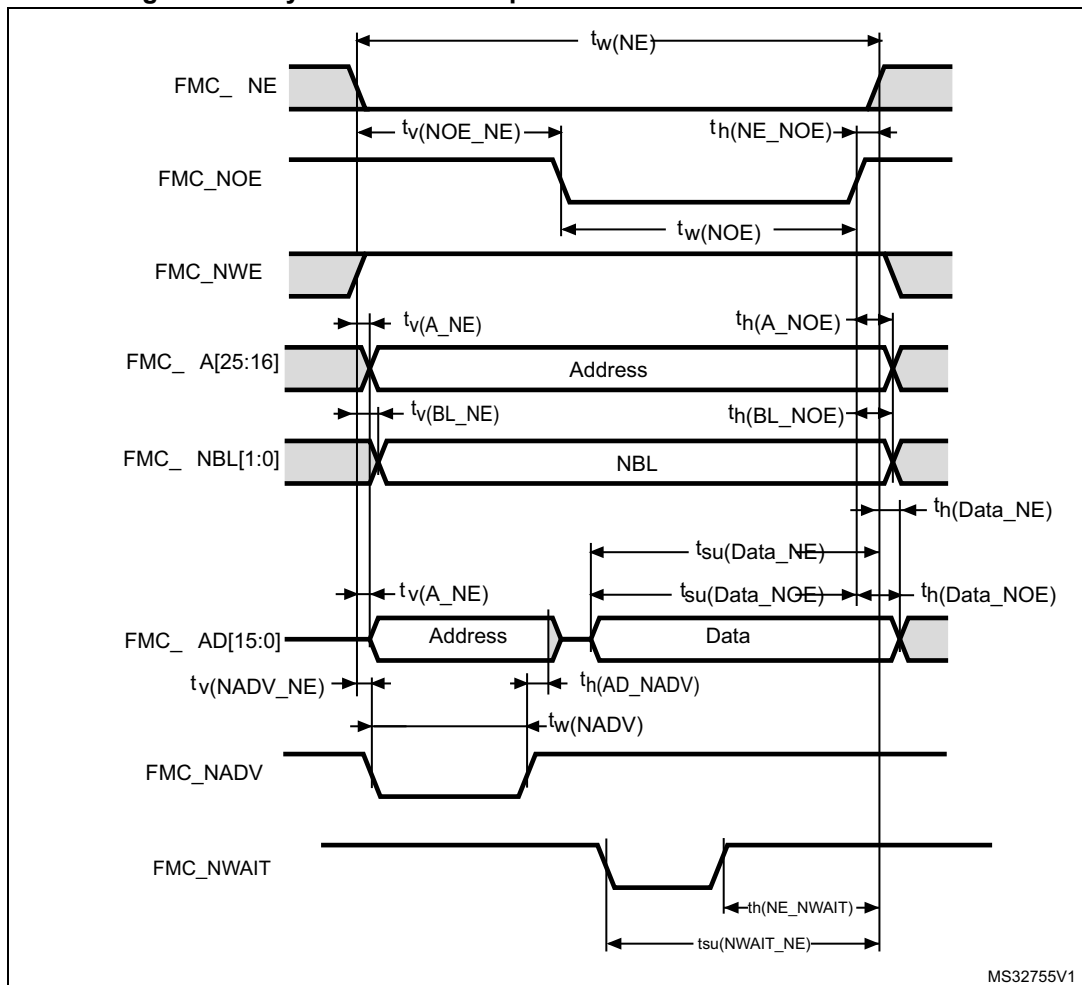
1. CL = 30 pF.
2. Guaranteed by characterization results.

**Table 108. Asynchronous non-multiplexed SRAM/PSRAM/NOR write-NWAIT timings<sup>(1)(2)</sup>**

| Symbol              | Parameter                                 | Min             | Max             | Unit |
|---------------------|---|-----------------|-----------------|------|
| $t_{w(NE)}$         | FMC_NE low time                           | $8T_{HCLK}+0.5$ | $8T_{HCLK}+0.5$ | ns   |
| $t_{w(NWE)}$        | FMC_NWE low time                          | $6T_{HCLK}-0.5$ | $6T_{HCLK}+0.5$ |      |
| $t_{su(NWAIT\_NE)}$ | FMC_NWAIT valid before FMC_NEx high       | $6T_{HCLK}+2$   | -               |      |
| $t_{h(NE\_NWAIT)}$  | FMC_NEx hold time after FMC_NWAIT invalid | $4T_{HCLK}+2$   | -               |      |

1. CL = 30 pF.
2. Guaranteed by characterization results.

**Figure 44. Asynchronous multiplexed PSRAM/NOR read waveforms**



**Table 109. Asynchronous multiplexed PSRAM/NOR read timings<sup>(1)(2)</sup>**

| Symbol              | Parameter   | Min             | Max             | Unit |
|---------------------|---|-----------------|-----------------|------|
| $t_{w(NE)}$         | FMC_NE low time                                     | $3T_{HCLK}-0.5$ | $3T_{HCLK}+2$   | ns   |
| $t_{v(NOE\_NE)}$    | FMC_NEx low to FMC_NOE low                          | $2T_{HCLK}-0.5$ | $2T_{HCLK}+0.5$ |      |
| $t_{w(NOE)}$        | FMC_NOE low time                                    | $T_{HCLK}+0.5$  | $T_{HCLK}+1$    |      |
| $t_{h(NE\_NOE)}$    | FMC_NOE high to FMC_NE high hold time               | 0               | -               |      |
| $t_{v(A\_NE)}$      | FMC_NEx low to FMC_A valid                          | -               | 3               |      |
| $t_{v(NADV\_NE)}$   | FMC_NEx low to FMC_NADV low                         | 0               | 1               |      |
| $t_{w(NADV)}$       | FMC_NADV low time                                   | $T_{HCLK}-0.5$  | $T_{HCLK}+1$    |      |
| $t_{h(AD\_NADV)}$   | FMC_AD(address) valid hold time after FMC_NADV high | 0               | -               |      |
| $t_{h(A\_NOE)}$     | Address hold time after FMC_NOE high                | $T_{HCLK}-0.5$  | -               |      |
| $t_{h(BL\_NOE)}$    | FMC_BL time after FMC_NOE high                      | 0               | -               |      |
| $t_{v(BL\_NE)}$     | FMC_NEx low to FMC_BL valid                         | -               | 2               |      |
| $t_{su(Data\_NE)}$  | Data to FMC_NEx high setup time                     | $T_{HCLK}-2$    | -               |      |
| $t_{su(Data\_NOE)}$ | Data to FMC_NOE high setup time                     | $T_{HCLK}-1$    | -               |      |
| $t_{h(Data\_NE)}$   | Data hold time after FMC_NEx high                   | 0               | -               |      |
| $t_{h(Data\_NOE)}$  | Data hold time after FMC_NOE high                   | 0               | -               |      |

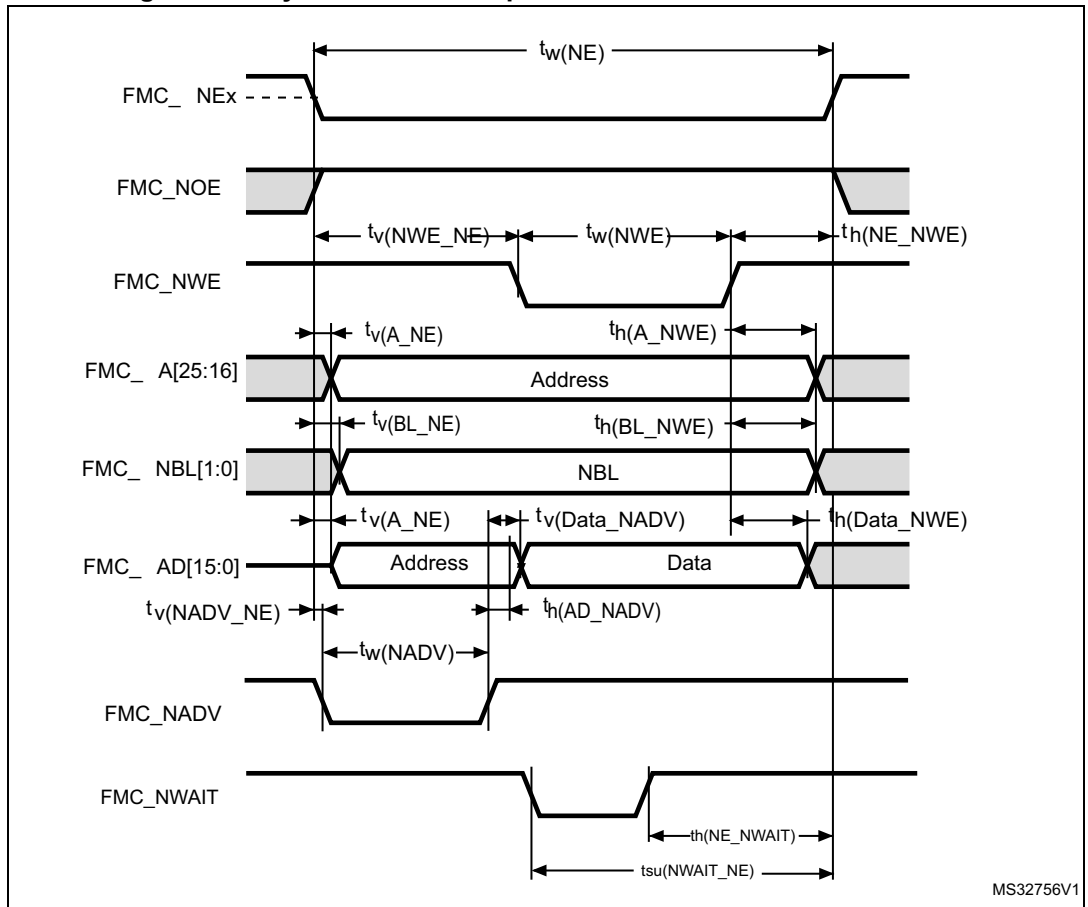
1. CL = 30 pF.
2. Guaranteed by characterization results.

**Table 110. Asynchronous multiplexed PSRAM/NOR read-NWAIT timings<sup>(1)(2)</sup>**

| Symbol              | Parameter                                 | Min             | Max             | Unit |
|---------------------|---|-----------------|-----------------|------|
| $t_{w(NE)}$         | FMC_NE low time                           | $8T_{HCLK}+2$   | $8T_{HCLK}+4$   | ns   |
| $t_{w(NOE)}$        | FMC_NWE low time                          | $5T_{HCLK}-1$   | $5T_{HCLK}+1.5$ |      |
| $t_{su(NWAIT\_NE)}$ | FMC_NWAIT valid before FMC_NEx high       | $5T_{HCLK}+1.5$ | -               |      |
| $t_{h(NE\_NWAIT)}$  | FMC_NEx hold time after FMC_NWAIT invalid | $4T_{HCLK}+1$   | -               |      |

1. CL = 30 pF.
2. Guaranteed by characterization results.

Figure 45. Asynchronous multiplexed PSRAM/NOR write waveforms



**Table 111. Asynchronous multiplexed PSRAM/NOR write timings<sup>(1)(2)</sup>**

| Symbol              | Parameter  | Min                     | Max                     | Unit |
|---------------------|--|-------------------------|-------------------------|------|
| $t_{w(NE)}$         | FMC_NE low time                                    | $4T_{HCLK}-0.5$         | $4T_{HCLK}+2$           | ns   |
| $t_{v(NWE\_NE)}$    | FMC_NEx low to FMC_NWE low                         | $T_{HCLK}-0.5$          | $T_{HCLK}+1$            |      |
| $t_{w(NWE)}$        | FMC_NWE low time                                   | $2 \times T_{HCLK}-1.5$ | $2 \times T_{HCLK}+1.5$ |      |
| $t_{h(NE\_NWE)}$    | FMC_NWE high to FMC_NE high hold time              | $T_{HCLK}-0.5$          | -                       |      |
| $t_{v(A\_NE)}$      | FMC_NEx low to FMC_A valid                         | -                       | 3                       |      |
| $t_{v(NADV\_NE)}$   | FMC_NEx low to FMC_NADV low                        | 0                       | 1                       |      |
| $t_{w(NADV)}$       | FMC_NADV low time                                  | $T_{HCLK}-0.5$          | $T_{HCLK}+1$            |      |
| $t_{h(AD\_NADV)}$   | FMC_AD(adress) valid hold time after FMC_NADV high | $T_{HCLK}-2$            | -                       |      |
| $t_{h(A\_NWE)}$     | Address hold time after FMC_NWE high               | $T_{HCLK}-1$            | -                       |      |
| $t_{h(BL\_NWE)}$    | FMC_BL hold time after FMC_NWE high                | $T_{HCLK}+0.5$          | -                       |      |
| $t_{v(BL\_NE)}$     | FMC_NEx low to FMC_BL valid                        | -                       | 1.5                     |      |
| $t_{v(Data\_NADV)}$ | FMC_NADV high to Data valid                        | -                       | $T_{HCLK} +4$           |      |
| $t_{h(Data\_NWE)}$  | Data hold time after FMC_NWE high                  | $T_{HCLK} +0.5$         | -                       |      |

1. CL = 30 pF.
2. Guaranteed by characterization results.

**Table 112. Asynchronous multiplexed PSRAM/NOR write-NWAIT timings<sup>(1)(2)</sup>**

| Symbol              | Parameter                                 | Min             | Max             | Unit |
|---------------------|---|-----------------|-----------------|------|
| $t_{w(NE)}$         | FMC_NE low time                           | $9T_{HCLK}-0.5$ | $9T_{HCLK}+2$   | ns   |
| $t_{w(NWE)}$        | FMC_NWE low time                          | $7T_{HCLK}-1.5$ | $7T_{HCLK}+1.5$ |      |
| $t_{su(NWAIT\_NE)}$ | FMC_NWAIT valid before FMC_NEx high       | $6T_{HCLK}+2$   | -               |      |
| $t_{h(NE\_NWAIT)}$  | FMC_NEx hold time after FMC_NWAIT invalid | $4T_{HCLK}-3$   | -               |      |

1. CL = 30 pF.
2. Guaranteed by characterization results.

**Synchronous waveforms and timings**

Figure 46 through Figure 49 represent synchronous waveforms and Table 113 through Table 116 provide the corresponding timings. The results shown in these tables are obtained with the following FMC configuration:

- BurstAccessMode = FMC\_BurstAccessMode\_Enable
- MemoryType = FMC\_MemoryType\_CRAM
- WriteBurst = FMC\_WriteBurst\_Enable
- CLKDivision = 1
- DataLatency = 1 for NOR Flash; DataLatency = 0 for PSRAM



In all timing tables, the  $T_{HCLK}$  is the HCLK clock period.

Figure 46. Synchronous multiplexed NOR/PSRAM read timings

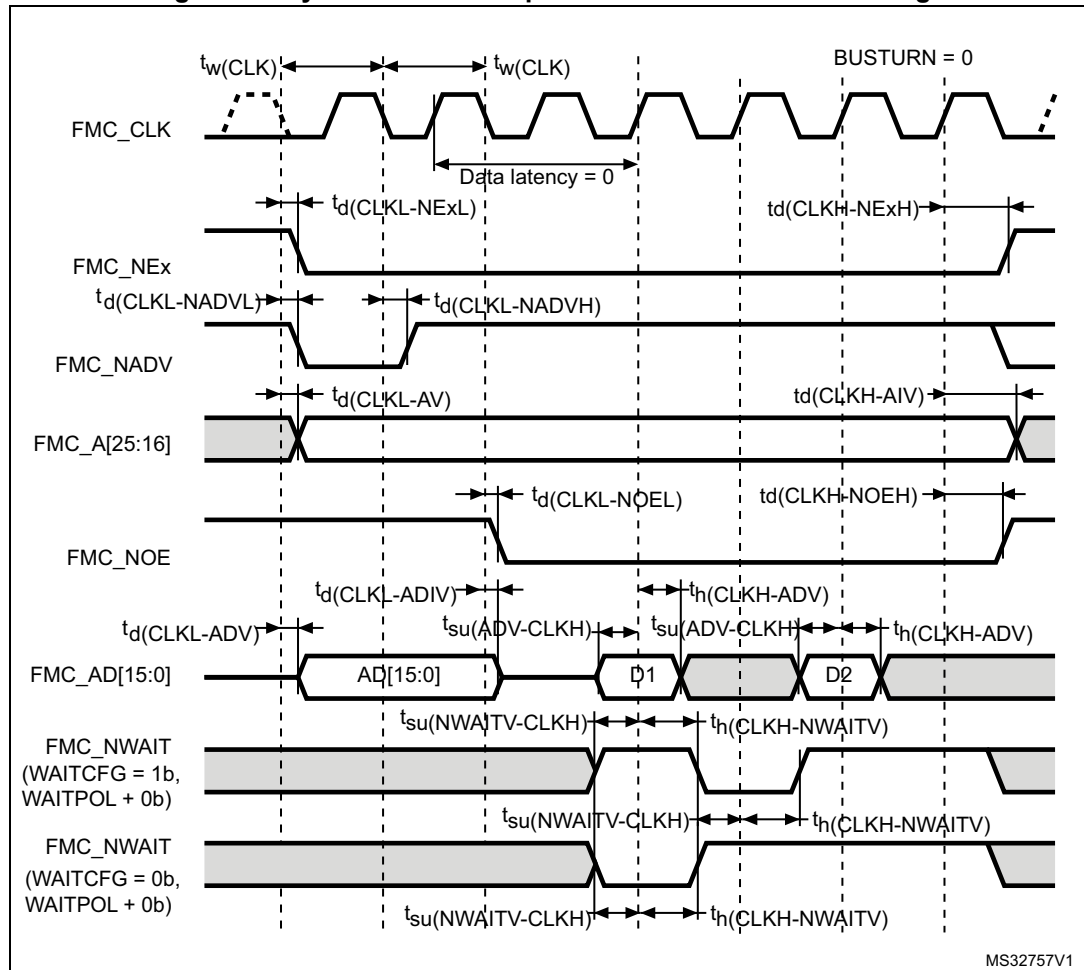


Table 113. Synchronous multiplexed NOR/PSRAM read timings<sup>(1)(2)</sup>

| Symbol                      | Parameter                                    | Min                   | Max | Unit |
|-----------------------------|--|-----------------------|-----|------|
| $t_{w(\text{CLK})}$         | FMC_CLK period                               | $2T_{\text{HCLK}}-1$  | -   | ns   |
| $t_{d(\text{CLKL-NExL})}$   | FMC_CLK low to FMC_NEx low (x=0..2)          | -                     | 2   |      |
| $t_{d(\text{CLKH-NExH})}$   | FMC_CLK high to FMC_NEx high (x= 0...2)      | $T_{\text{HCLK}}+0.5$ | -   |      |
| $t_{d(\text{CLKL-NADV})}$   | FMC_CLK low to FMC_NADV low                  | -                     | 2.5 |      |
| $t_{d(\text{CLKL-NADVH})}$  | FMC_CLK low to FMC_NADV high                 | 1                     | -   |      |
| $t_{d(\text{CLKL-AV})}$     | FMC_CLK low to FMC_Ax valid (x=16...25)      | -                     | 3.5 |      |
| $t_{d(\text{CLKH-AIV})}$    | FMC_CLK high to FMC_Ax invalid (x=16...25)   | $T_{\text{HCLK}}$     | -   |      |
| $t_{d(\text{CLKL-NOEL})}$   | FMC_CLK low to FMC_NOE low                   | -                     | 1.5 |      |
| $t_{d(\text{CLKH-NOEH})}$   | FMC_CLK high to FMC_NOE high                 | $T_{\text{HCLK}}+1$   | -   |      |
| $t_{d(\text{CLKL-ADV})}$    | FMC_CLK low to FMC_AD[15:0] valid            | -                     | 4   |      |
| $t_{d(\text{CLKL-ADIV})}$   | FMC_CLK low to FMC_AD[15:0] invalid          | 0                     | -   |      |
| $t_{su(\text{ADV-CLKH})}$   | FMC_A/D[15:0] valid data before FMC_CLK high | 0                     | -   |      |
| $t_h(\text{CLKH-ADV})$      | FMC_A/D[15:0] valid data after FMC_CLK high  | 2.5                   | -   |      |
| $t_{su(\text{NWAIT-CLKH})}$ | FMC_NWAIT valid before FMC_CLK high          | 0                     | -   |      |
| $t_h(\text{CLKH-NWAIT})$    | FMC_NWAIT valid after FMC_CLK high           | 4                     | -   |      |

1. CL = 30 pF.
2. Guaranteed by characterization results.



Figure 47. Synchronous multiplexed PSRAM write timings

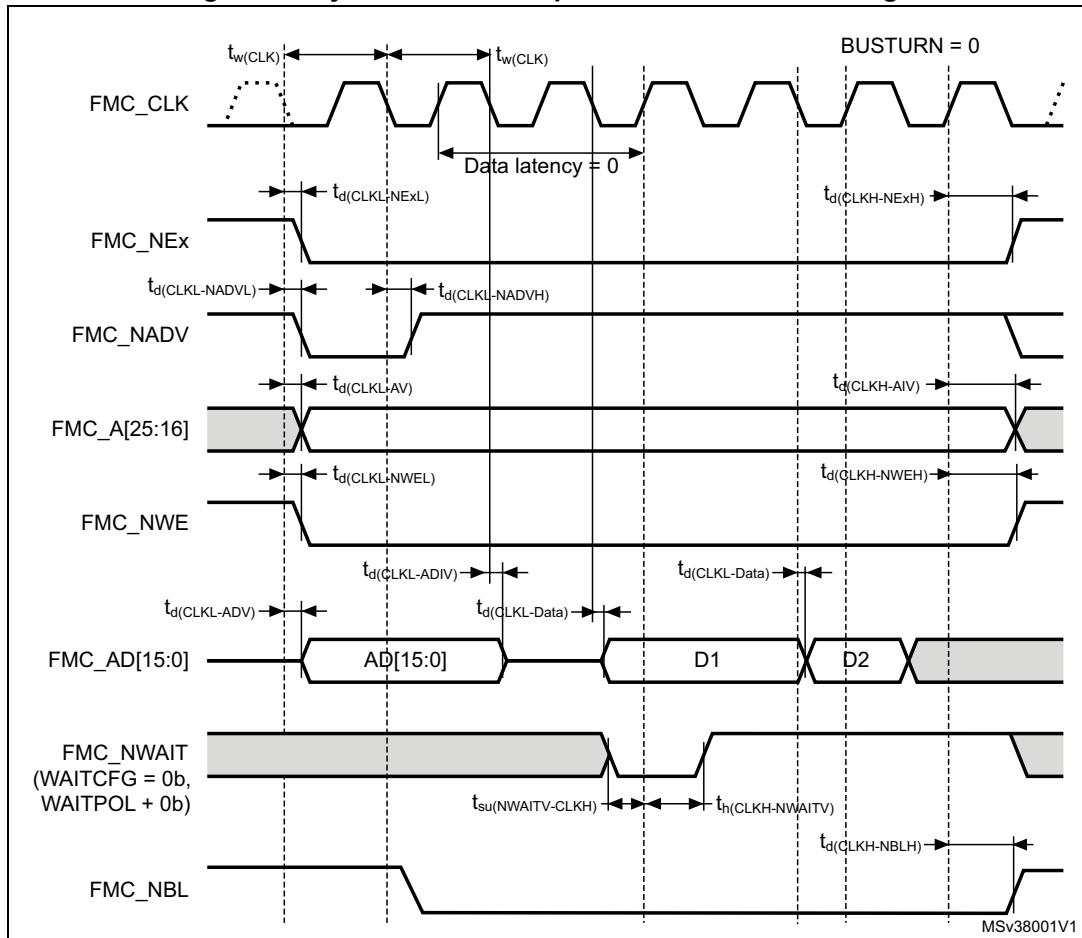


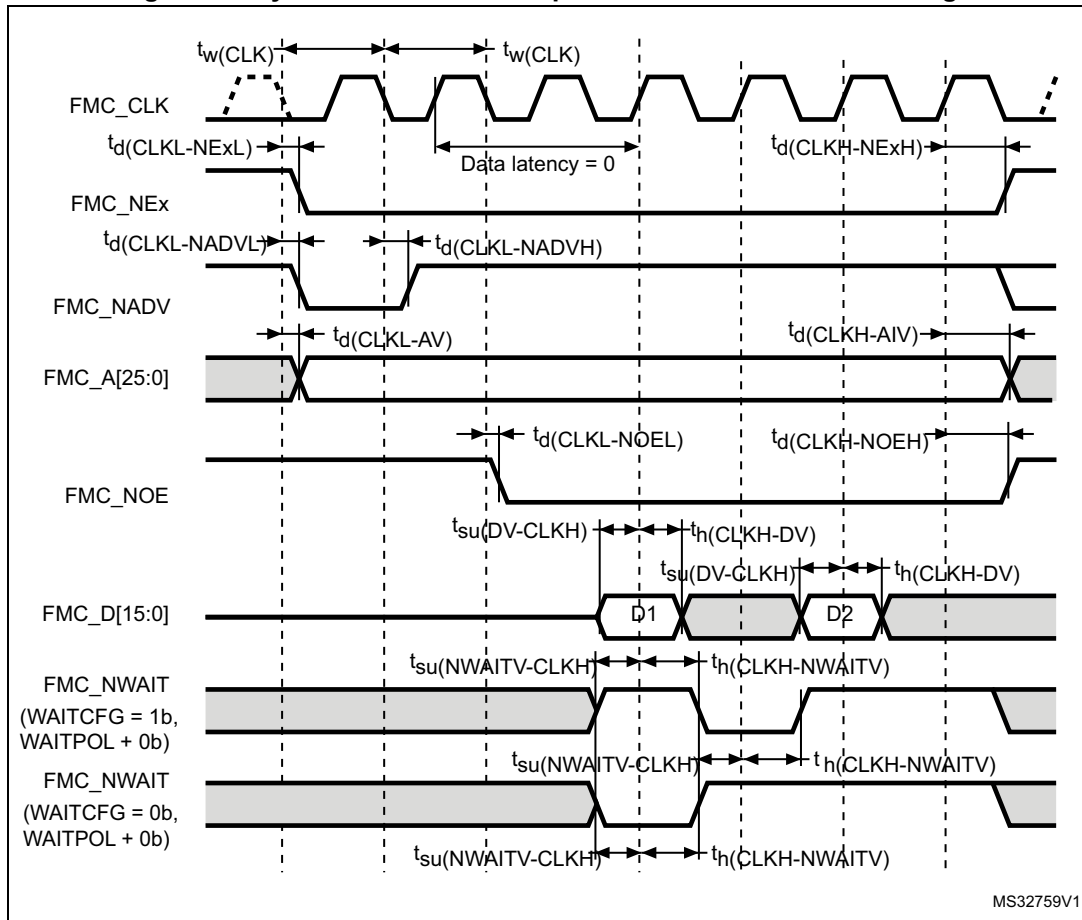
Table 114. Synchronous multiplexed PSRAM write timings<sup>(1)(2)</sup>

| Symbol                      | Parameter                                  | Min                   | Max | Unit |
|-----------------------------|--|-----------------------|-----|------|
| $t_{w(\text{CLK})}$         | FMC_CLK period                             | $2T_{\text{HCLK}}-1$  | -   | ns   |
| $t_{d(\text{CLKL-NExL})}$   | FMC_CLK low to FMC_NEx low (x=0..2)        | -                     | 2   |      |
| $t_{d(\text{CLKH-NExH})}$   | FMC_CLK high to FMC_NEx high (x= 0...2)    | $T_{\text{HCLK}}+0.5$ | -   |      |
| $t_{d(\text{CLKL-NADV})}$   | FMC_CLK low to FMC_NADV low                | -                     | 2.5 |      |
| $t_{d(\text{CLKL-NADVH})}$  | FMC_CLK low to FMC_NADV high               | 1                     | -   |      |
| $t_{d(\text{CLKL-AV})}$     | FMC_CLK low to FMC_Ax valid (x=16...25)    | -                     | 3.5 |      |
| $t_{d(\text{CLKH-AIV})}$    | FMC_CLK high to FMC_Ax invalid (x=16...25) | $T_{\text{HCLK}}$     | -   |      |
| $t_{d(\text{CLKL-NWEL})}$   | FMC_CLK low to FMC_NWE low                 | -                     | 2   |      |
| $t_{d(\text{CLKH-NWEH})}$   | FMC_CLK high to FMC_NWE high               | $T_{\text{HCLK}}+1$   | -   |      |
| $t_{d(\text{CLKL-ADV})}$    | FMC_CLK low to FMC_AD[15:0] valid          | -                     | 4   |      |
| $t_{d(\text{CLKL-ADIV})}$   | FMC_CLK low to FMC_AD[15:0] invalid        | 0                     | -   |      |
| $t_{d(\text{CLKL-DATA})}$   | FMC_A/D[15:0] valid data after FMC_CLK low | -                     | 5.5 |      |
| $t_{d(\text{CLKL-NBLL})}$   | FMC_CLK low to FMC_NBL low                 | -                     | 2.5 |      |
| $t_{d(\text{CLKH-NBLH})}$   | FMC_CLK high to FMC_NBL high               | $T_{\text{HCLK}}+1$   | -   |      |
| $t_{su(\text{NWAIT-CLKH})}$ | FMC_NWAIT valid before FMC_CLK high        | 0                     | -   |      |
| $t_h(\text{CLKH-NWAIT})$    | FMC_NWAIT valid after FMC_CLK high         | 4                     | -   |      |

1. CL = 30 pF.

2. Guaranteed by characterization results.

Figure 48. Synchronous non-multiplexed NOR/PSRAM read timings



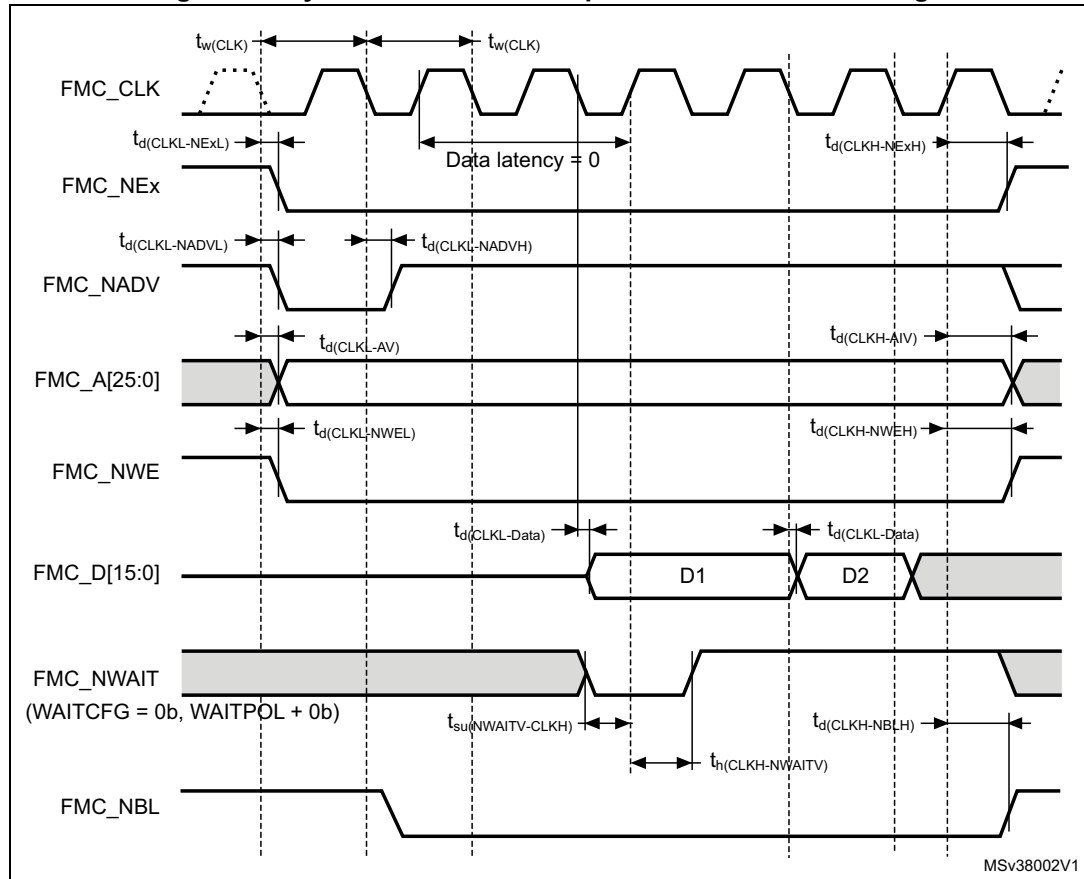
MS32759V1

Table 115. Synchronous non-multiplexed NOR/PSRAM read timings<sup>(1)(2)</sup>

| Symbol                       | Parameter                                     | Min                   | Max | Unit |
|------------------------------|---|-----------------------|-----|------|
| $t_w(\text{CLK})$            | FMC_CLK period                                | $2T_{\text{HCLK}}$    | -   | ns   |
| $t_d(\text{CLKL-NExL})$      | FMC_CLK low to FMC_NEx low ( $x=0..2$ )       | -                     | 2.5 |      |
| $t_d(\text{CLKH-NExH})$      | FMC_CLK high to FMC_NEx high ( $x=0..2$ )     | $T_{\text{HCLK}}-0.5$ | -   |      |
| $t_d(\text{CLKL-NADV})$      | FMC_CLK low to FMC_NADV low                   | -                     | 2   |      |
| $t_d(\text{CLKL-NADVH})$     | FMC_CLK low to FMC_NADV high                  | 0.5                   | -   |      |
| $t_d(\text{CLKL-AV})$        | FMC_CLK low to FMC_Ax valid ( $x=16..25$ )    | -                     | 3.5 |      |
| $t_d(\text{CLKH-AIV})$       | FMC_CLK high to FMC_Ax invalid ( $x=16..25$ ) | $T_{\text{HCLK}}$     | -   |      |
| $t_d(\text{CLKL-NOEL})$      | FMC_CLK low to FMC_NOE low                    | -                     | 2   |      |
| $t_d(\text{CLKH-NOEH})$      | FMC_CLK high to FMC_NOE high                  | $T_{\text{HCLK}}-0.5$ | -   |      |
| $t_{su}(\text{DV-CLKH})$     | FMC_D[15:0] valid data before FMC_CLK high    | 0                     | -   |      |
| $t_h(\text{CLKH-DV})$        | FMC_D[15:0] valid data after FMC_CLK high     | 5                     | -   |      |
| $t_{su}(\text{NWAITV-CLKH})$ | FMC_NWAIT valid before FMC_CLK high           | 0                     | -   |      |
| $t_h(\text{CLKH-NWAITV})$    | FMC_NWAIT valid after FMC_CLK high            | 4                     | -   |      |

1. CL = 30 pF.
2. Guaranteed by characterization results.

**Figure 49. Synchronous non-multiplexed PSRAM write timings**



**Table 116. Synchronous non-multiplexed PSRAM write timings<sup>(1)(2)</sup>**

| Symbol               | Parameter                                 | Min             | Max | Unit |
|----------------------|---|-----------------|-----|------|
| $t_{w(CLK)}$         | FMC_CLK period                            | $2T_{HCLK}-0.5$ | -   | ns   |
| $t_{d(CLKL-NExL)}$   | FMC_CLK low to FMC_NEx low (x=0..2)       | -               | 2   |      |
| $t_{d(CLKH-NExH)}$   | FMC_CLK high to FMC_NEx high (x= 0..2)    | $T_{HCLK}+0.5$  | -   |      |
| $t_{d(CLKL-NADVl)}$  | FMC_CLK low to FMC_NADV low               | -               | 2   |      |
| $t_{d(CLKL-NADVh)}$  | FMC_CLK low to FMC_NADV high              | 2.5             | -   |      |
| $t_{d(CLKL-AV)}$     | FMC_CLK low to FMC_Ax valid (x=16..25)    | -               | 5   |      |
| $t_{d(CLKH-AIV)}$    | FMC_CLK high to FMC_Ax invalid (x=16..25) | $T_{HCLK}-1$    | -   |      |
| $t_{d(CLKL-NWEL)}$   | FMC_CLK low to FMC_NWE low                | -               | 2   |      |
| $t_{d(CLKH-NWEH)}$   | FMC_CLK high to FMC_NWE high              | $T_{HCLK}-1$    | -   |      |
| $t_{d(CLKL-Data)}$   | FMC_D[15:0] valid data after FMC_CLK low  | -               | 4.5 |      |
| $t_{d(CLKL-NBLL)}$   | FMC_CLK low to FMC_NBL low                | 1.5             | -   |      |
| $t_{d(CLKH-NBLH)}$   | FMC_CLK high to FMC_NBL high              | $T_{HCLK}+1$    | -   |      |
| $t_{su(NWAIT-CLKH)}$ | FMC_NWAIT valid before FMC_CLK high       | 0               | -   |      |
| $t_h(CLKH-NWAIT)$    | FMC_NWAIT valid after FMC_CLK high        | 4               | -   |      |

1. CL = 30 pF.
2. Guaranteed by characterization results.

**NAND controller waveforms and timings**

Figure 50 through Figure 53 represent synchronous waveforms, and Table 117 and Table 118 provide the corresponding timings. The results shown in these tables are obtained with the following FMC configuration:

- COM.FMC\_SetupTime = 0x02
- COM.FMC\_WaitSetupTime = 0x03
- COM.FMC\_HoldSetupTime = 0x02
- COM.FMC\_HiZSetupTime = 0x03
- ATT.FMC\_SetupTime = 0x01
- ATT.FMC\_WaitSetupTime = 0x03
- ATT.FMC\_HoldSetupTime = 0x02
- ATT.FMC\_HiZSetupTime = 0x03
- Bank = FMC\_Bank\_NAND
- MemoryDataWidth = FMC\_MemoryDataWidth\_16b
- ECC = FMC\_ECC\_Enable
- ECCPageSize = FMC\_ECCPageSize\_512Bytes
- TCLRSetupTime = 0
- TARSetupTime = 0

In all timing tables, the  $T_{HCLK}$  is the HCLK clock period.



Figure 50. NAND controller waveforms for read access



Figure 51. NAND controller waveforms for write access



Figure 52. NAND controller waveforms for common memory read access

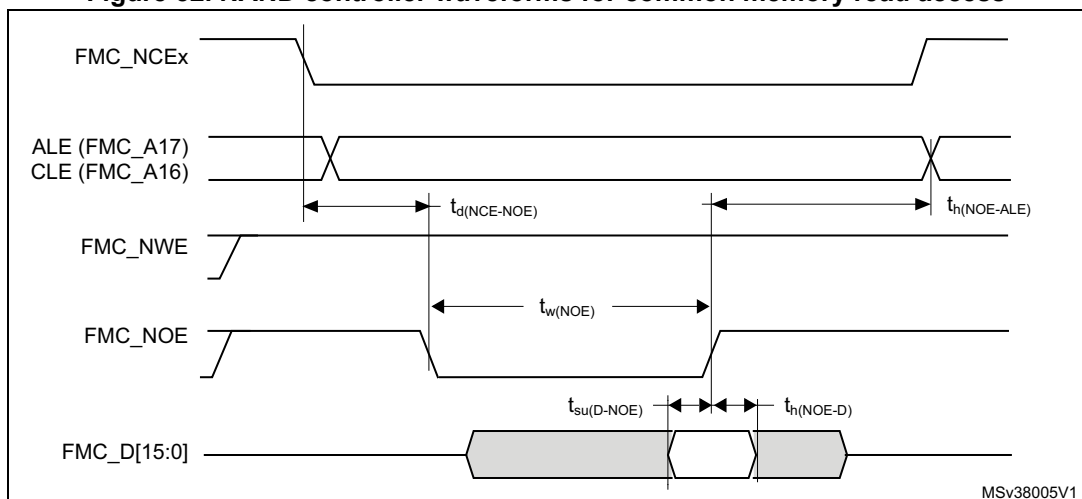


Figure 53. NAND controller waveforms for common memory write access



Table 117. Switching characteristics for NAND Flash read cycles<sup>(1)(2)</sup>

| Symbol           | Parameter                                  | Min           | Max           | Unit |
|------------------|--|---------------|---------------|------|
| $T_{w(NOE)}$     | FMC_NOE low width                          | $4T_{HCLK}-1$ | $4T_{HCLK}+1$ | ns   |
| $T_{su(D-NOE)}$  | FMC_D[15-0] valid data before FMC_NOE high | 16            | -             |      |
| $T_{h(NOE-D)}$   | FMC_D[15-0] valid data after FMC_NOE high  | 6             | -             |      |
| $T_{d(NCE-NOE)}$ | FMC_NCE valid before FMC_NOE low           | -             | $3T_{HCLK}+1$ |      |
| $T_{h(NOE-ALE)}$ | FMC_NOE high to FMC_ALE invalid            | $2T_{HCLK}-2$ | -             |      |

1. CL = 30 pF.
2. Guaranteed by characterization results.

Table 118. Switching characteristics for NAND Flash write cycles<sup>(1)(2)</sup>

| Symbol           | Parameter                             | Min           | Max           | Unit |
|------------------|---------------------------------------|---------------|---------------|------|
| $T_{w(NWE)}$     | FMC_NWE low width                     | $4T_{HCLK}-1$ | $4T_{HCLK}+1$ | ns   |
| $T_{v(NWE-D)}$   | FMC_NWE low to FMC_D[15-0] valid      | -             | 2.5           |      |
| $T_{h(NWE-D)}$   | FMC_NWE high to FMC_D[15-0] invalid   | $3T_{HCLK}-4$ | -             |      |
| $T_{d(D-NWE)}$   | FMC_D[15-0] valid before FMC_NWE high | $5T_{HCLK}-3$ | -             |      |
| $T_{d(NCE-NWE)}$ | FMC_NCE valid before FMC_NWE low      | -             | $3T_{HCLK}+1$ |      |
| $T_{h(NWE-ALE)}$ | FMC_NWE high to FMC_ALE invalid       | $2T_{HCLK}-2$ | -             |      |

1. CL = 30 pF.
2. Guaranteed by characterization results.

### 6.3.30 SWPMI characteristics

The Single Wire Protocol Master Interface (SWPMI) and the associated SWPMI\_IO transceiver are compliant with the ETSI TS 102 613 technical specification.

**Table 119. SWPMI electrical characteristics<sup>(1)</sup>**

| Symbol                | Parameter                    | Conditions                                    | Min | Typ | Max | Unit |
|-----------------------|------------------------------|---|-----|-----|-----|------|
| t <sub>SWPSTART</sub> | SWPMI regulator startup time | SWP Class B<br>2.7 V ≤ V <sub>DD</sub> ≤ 3,3V | -   | -   | 300 | μs   |
| t <sub>SWPBIT</sub>   | SWP bit duration             | V <sub>CORE</sub> voltage range 1             | 500 | -   | -   | ns   |
|                       |                              | V <sub>CORE</sub> voltage range 2             | 620 | -   | -   |      |

1. Guaranteed by design.

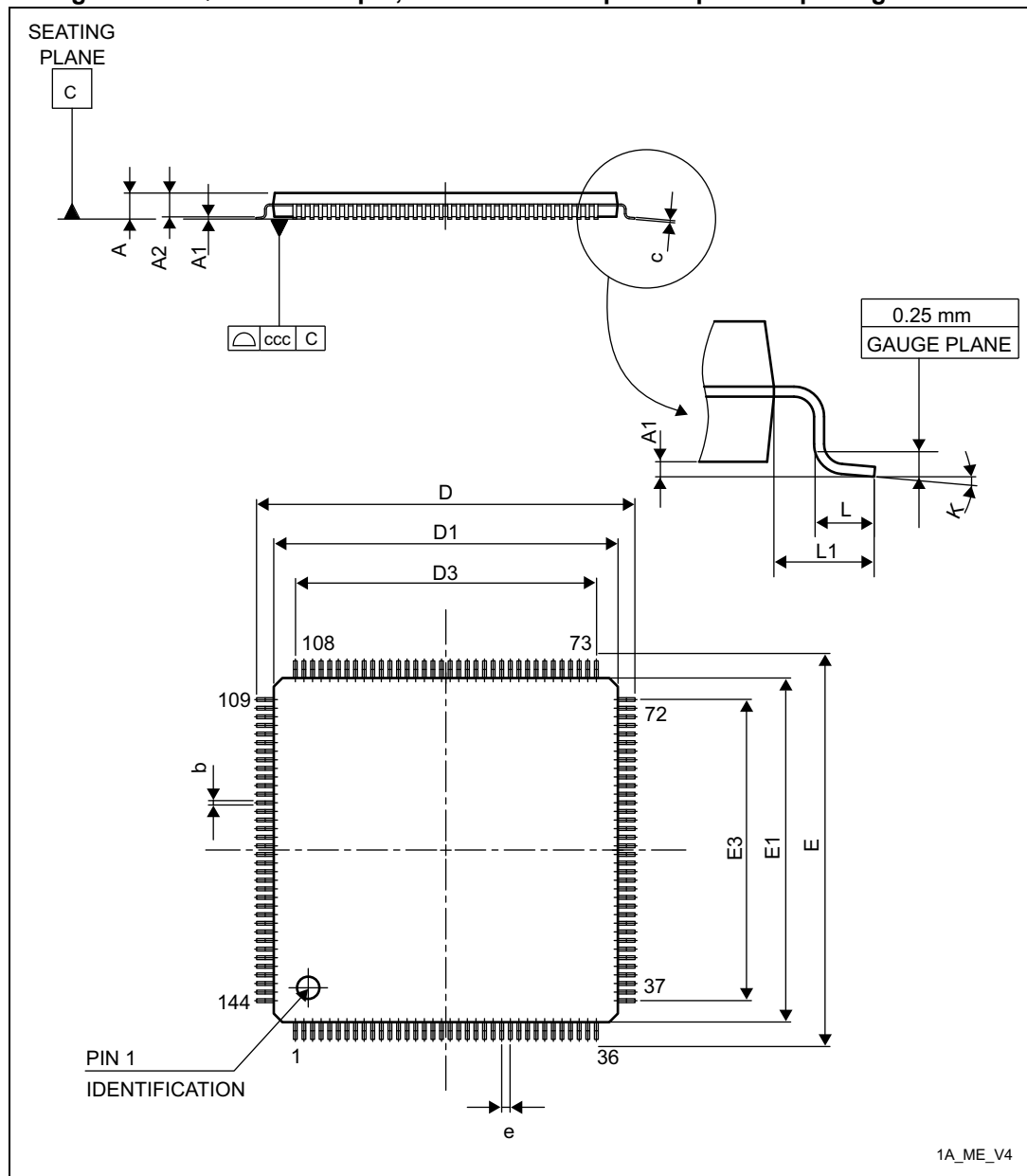


# 7 Package information

In order to meet environmental requirements, ST offers these devices in different grades of ECOPACK<sup>®</sup> packages, depending on their level of environmental compliance. ECOPACK<sup>®</sup> specifications, grade definitions and product status are available at: [www.st.com](http://www.st.com). ECOPACK<sup>®</sup> is an ST trademark.

## 7.1 LQFP144 package information

Figure 54. LQFP144 - 144-pin, 20 x 20 mm low-profile quad flat package outline



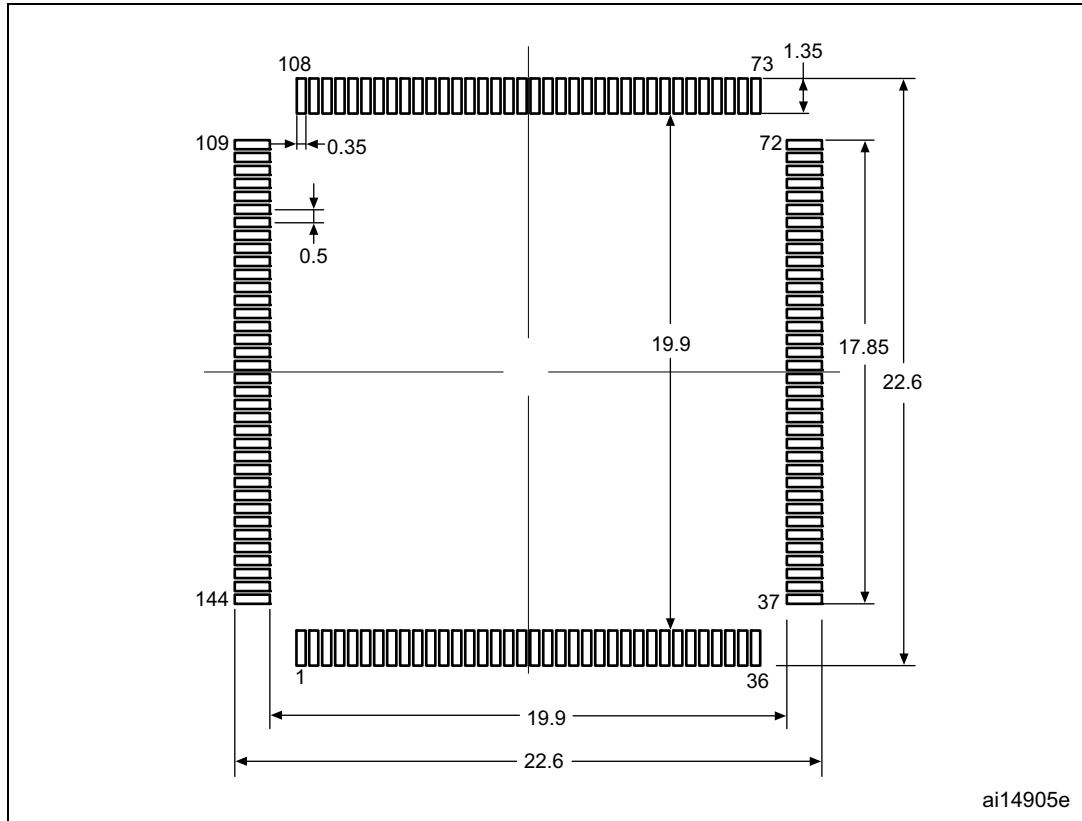
1. Drawing is not to scale.

Table 120. LQFP144 - 144-pin, 20 x 20 mm low-profile quad flat package mechanical data

| Symbol | millimeters |        |        | inches <sup>(1)</sup> |        |        |
|--------|-------------|--------|--------|-----------------------|--------|--------|
|        | Min         | Typ    | Max    | Min                   | Typ    | Max    |
| A      | -           | -      | 1.600  | -                     | -      | 0.0630 |
| A1     | 0.050       | -      | 0.150  | 0.0020                | -      | 0.0059 |
| A2     | 1.350       | 1.400  | 1.450  | 0.0531                | 0.0551 | 0.0571 |
| b      | 0.170       | 0.220  | 0.270  | 0.0067                | 0.0087 | 0.0106 |
| c      | 0.090       | -      | 0.200  | 0.0035                | -      | 0.0079 |
| D      | 21.800      | 22.000 | 22.200 | 0.8583                | 0.8661 | 0.8740 |
| D1     | 19.800      | 20.000 | 20.200 | 0.7795                | 0.7874 | 0.7953 |
| D3     | -           | 17.500 | -      | -                     | 0.6890 | -      |
| E      | 21.800      | 22.000 | 22.200 | 0.8583                | 0.8661 | 0.8740 |
| E1     | 19.800      | 20.000 | 20.200 | 0.7795                | 0.7874 | 0.7953 |
| E3     | -           | 17.500 | -      | -                     | 0.6890 | -      |
| e      | -           | 0.500  | -      | -                     | 0.0197 | -      |
| L      | 0.450       | 0.600  | 0.750  | 0.0177                | 0.0236 | 0.0295 |
| L1     | -           | 1.000  | -      | -                     | 0.0394 | -      |
| k      | 0°          | 3.5°   | 7°     | 0°                    | 3.5°   | 7°     |
| ccc    | -           | -      | 0.080  | -                     | -      | 0.0031 |

1. Values in inches are converted from mm and rounded to 4 decimal digits.

Figure 55. LQFP144 - 144-pin, 20 x 20 mm low-profile quad flat package recommended footprint



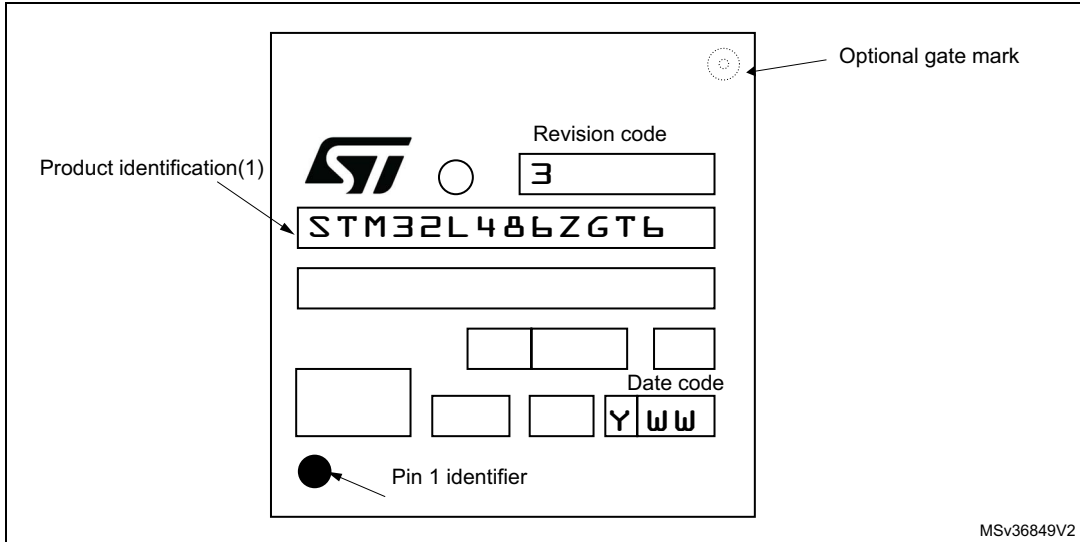
1. Dimensions are expressed in millimeters.

### Device marking

The following figure gives an example of topside marking orientation versus pin 1 identifier location.

Other optional marking or inset/upset marks, which identify the parts throughout supply chain operations, are not indicated below.

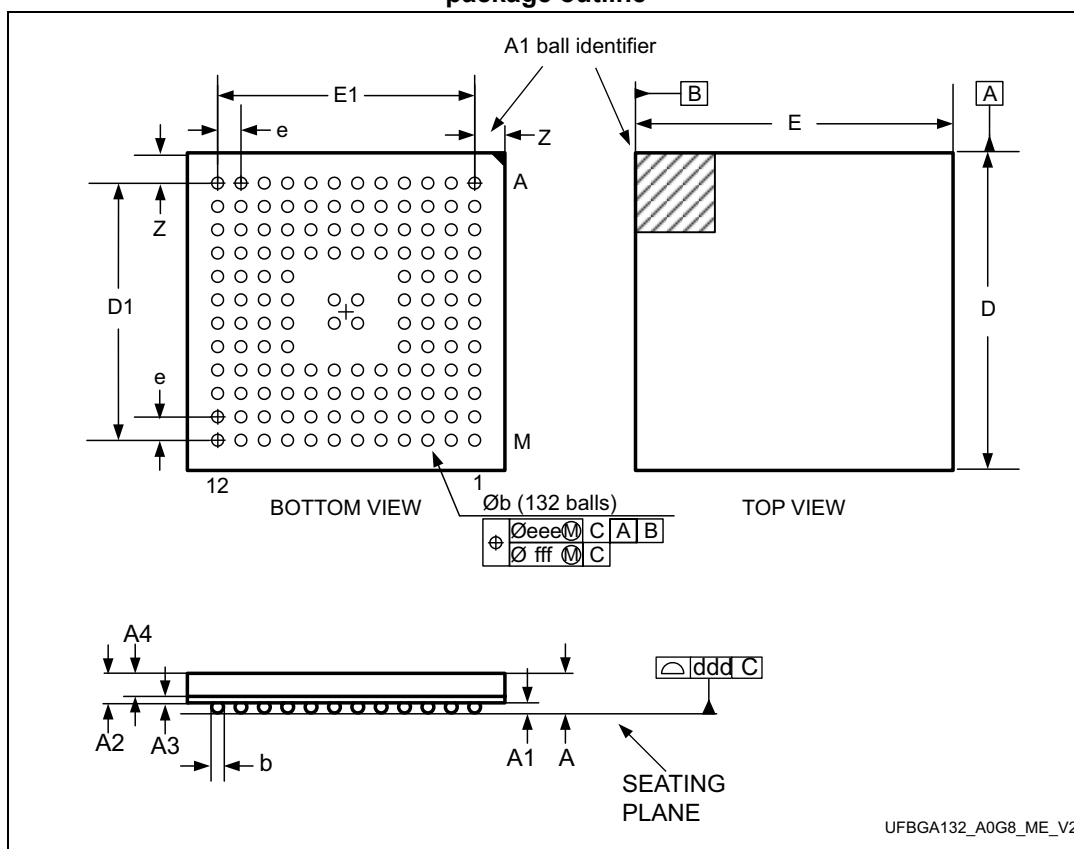
Figure 56. LQFP144 marking (package top view)



1. Parts marked as ES or E or accompanied by an Engineering Sample notification letter are not yet qualified and therefore not approved for use in production. ST is not responsible for any consequences resulting from such use. In no event will ST be liable for the customer using any of these engineering samples in production. ST's Quality department must be contacted prior to any decision to use these engineering samples to run a qualification activity.

## 7.2 UFBGA132 package information

Figure 57. UFBGA132 - 132-ball, 7 x 7 mm ultra thin fine pitch ball grid array package outline



1. Drawing is not to scale.

Table 21. UFBGA132 - 132-ball, 7 x 7 mm ultra thin fine pitch ball grid array package mechanical data

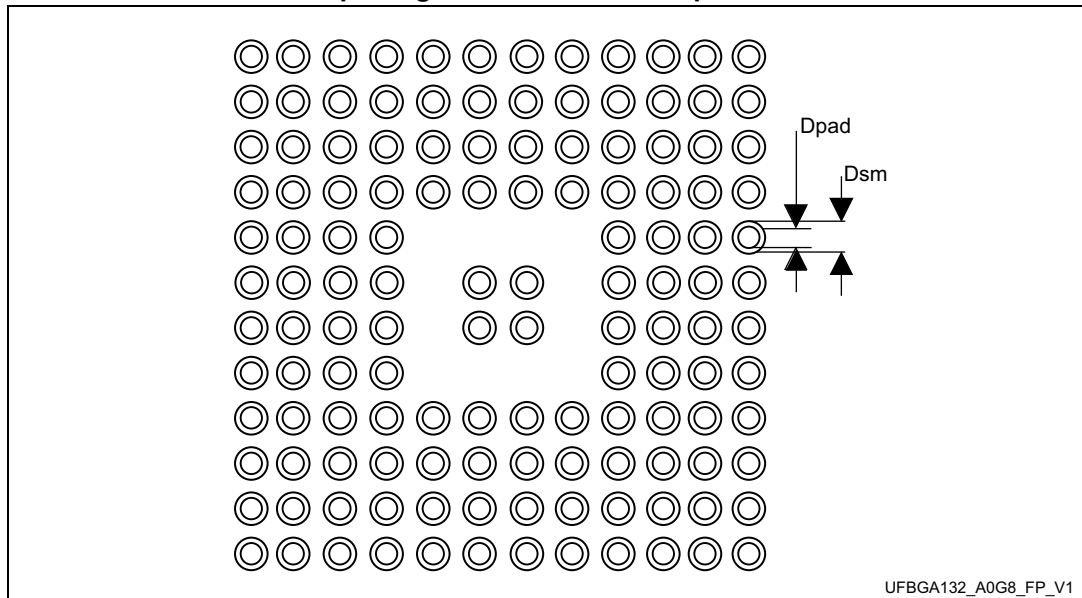
| Symbol | millimeters |       |       | inches <sup>(1)</sup> |        |        |
|--------|-------------|-------|-------|-----------------------|--------|--------|
|        | Min         | Typ   | Max   | Min                   | Typ    | Max    |
| A      | -           | -     | 0.600 | -                     | -      | 0.0236 |
| A1     | -           | -     | 0.110 | -                     | -      | 0.0043 |
| A2     | -           | 0.450 | -     | -                     | 0.0177 | -      |
| A3     | -           | 0.130 | -     | -                     | 0.0051 | -      |
| A4     | -           | 0.320 | -     | -                     | 0.0126 | -      |
| b      | 0.240       | 0.290 | 0.340 | 0.0094                | 0.0114 | 0.0134 |
| D      | 6.850       | 7.000 | 7.150 | 0.2697                | 0.2756 | 0.2815 |
| D1     | -           | 5.500 | -     | -                     | 0.2165 | -      |
| E      | 6.850       | 7.000 | 7.150 | 0.2697                | 0.2756 | 0.2815 |
| E1     | -           | 5.500 | -     | -                     | 0.2165 | -      |

**Table 121. UFBGA132 - 132-ball, 7 x 7 mm ultra thin fine pitch ball grid array package mechanical data (continued)**

| Symbol | millimeters |       |     | inches <sup>(1)</sup> |        |     |
|--------|-------------|-------|-----|-----------------------|--------|-----|
|        | Min         | Typ   | Max | Min                   | Typ    | Max |
| e      | -           | 0.500 | -   | -                     | 0.0197 | -   |
| Z      | -           | 0.750 | -   | -                     | 0.0295 | -   |
| ddd    | -           | 0.080 | -   | -                     | 0.0031 | -   |
| eee    | -           | 0.150 | -   | -                     | 0.0059 | -   |
| fff    | -           | 0.050 | -   | -                     | 0.0020 | -   |

1. Values in inches are converted from mm and rounded to 4 decimal digits.

**Figure 58. UFBGA132 - 132-ball, 7 x 7 mm ultra thin fine pitch ball grid array package recommended footprint**



**Table 122. UFBGA132 recommended PCB design rules (0.5 mm pitch BGA)**

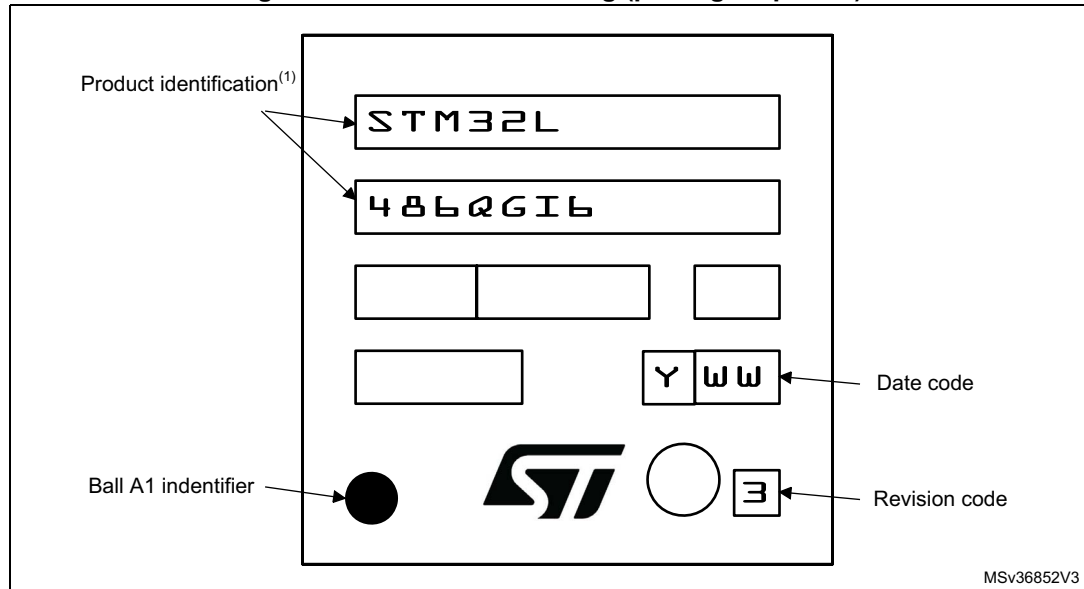
| Dimension         | Recommended values   |
|-------------------|--|
| Pitch             | 0.5 mm   |
| Dpad              | 0.280 mm   |
| Dsm               | 0.370 mm typ. (depends on the soldermask registration tolerance) |
| Stencil opening   | 0.280 mm   |
| Stencil thickness | Between 0.100 mm and 0.125 mm                                    |
| Pad trace width   | 0.100 mm   |
| Ball diameter     | 0.280 mm   |

### Device marking

The following figure gives an example of topside marking orientation versus ball A1 identifier location.

Other optional marking or inset/upset marks, which identify the parts throughout supply chain operations, are not indicated below.

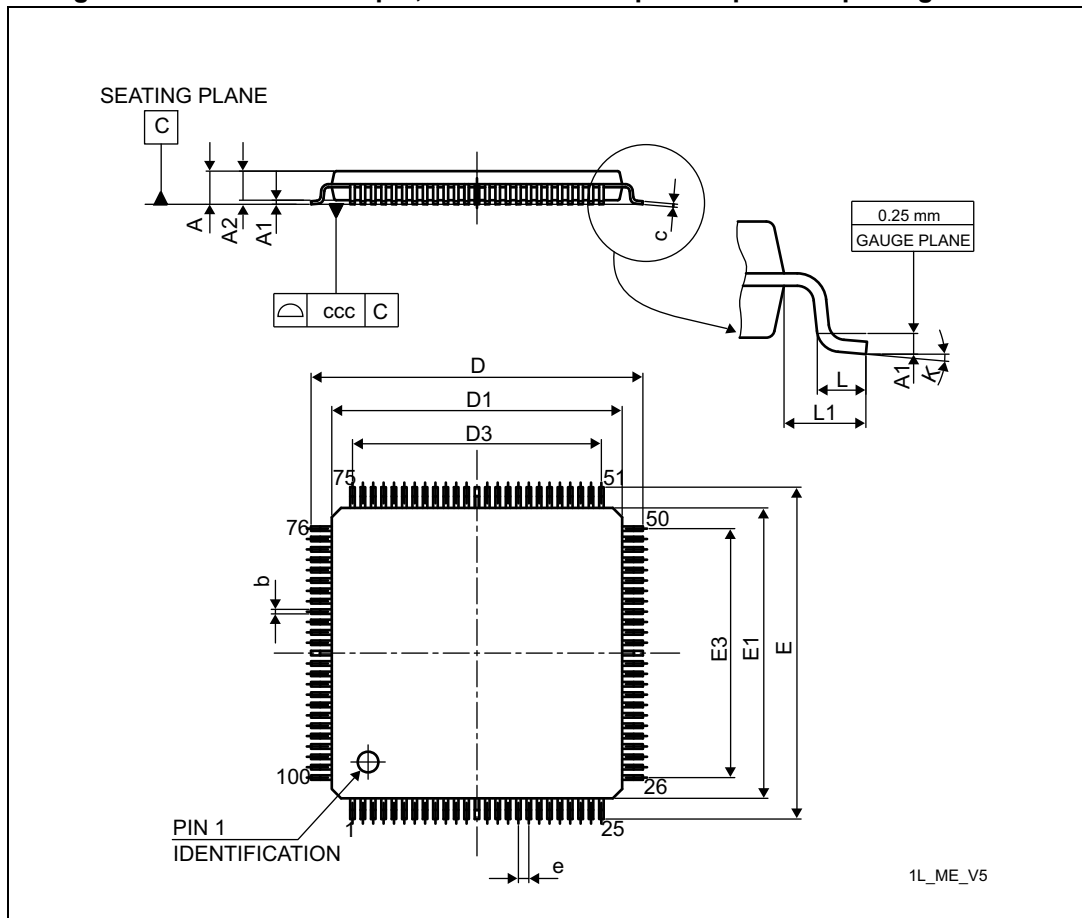
**Figure 59. UFBGA132 marking (package top view)**



1. Parts marked as ES or E or accompanied by an Engineering Sample notification letter are not yet qualified and therefore not approved for use in production. ST is not responsible for any consequences resulting from such use. In no event will ST be liable for the customer using any of these engineering samples in production. ST's Quality department must be contacted prior to any decision to use these engineering samples to run a qualification activity.

### 7.3 LQFP100 package information

Figure 60. LQFP100 - 100-pin, 14 x 14 mm low-profile quad flat package outline



1. Drawing is not to scale.

Table 123. LQFP100 - 100-pin, 14 x 14 mm low-profile quad flat package mechanical data

| Symbol | millimeters |        |        | inches <sup>(1)</sup> |        |        |
|--------|-------------|--------|--------|-----------------------|--------|--------|
|        | Min         | Typ    | Max    | Min                   | Typ    | Max    |
| A      | -           | -      | 1.600  | -                     | -      | 0.0630 |
| A1     | 0.050       | -      | 0.150  | 0.0020                | -      | 0.0059 |
| A2     | 1.350       | 1.400  | 1.450  | 0.0531                | 0.0551 | 0.0571 |
| b      | 0.170       | 0.220  | 0.270  | 0.0067                | 0.0087 | 0.0106 |
| c      | 0.090       | -      | 0.200  | 0.0035                | -      | 0.0079 |
| D      | 15.800      | 16.000 | 16.200 | 0.6220                | 0.6299 | 0.6378 |
| D1     | 13.800      | 14.000 | 14.200 | 0.5433                | 0.5512 | 0.5591 |
| D3     | -           | 12.000 | -      | -                     | 0.4724 | -      |
| E      | 15.800      | 16.000 | 16.200 | 0.6220                | 0.6299 | 0.6378 |

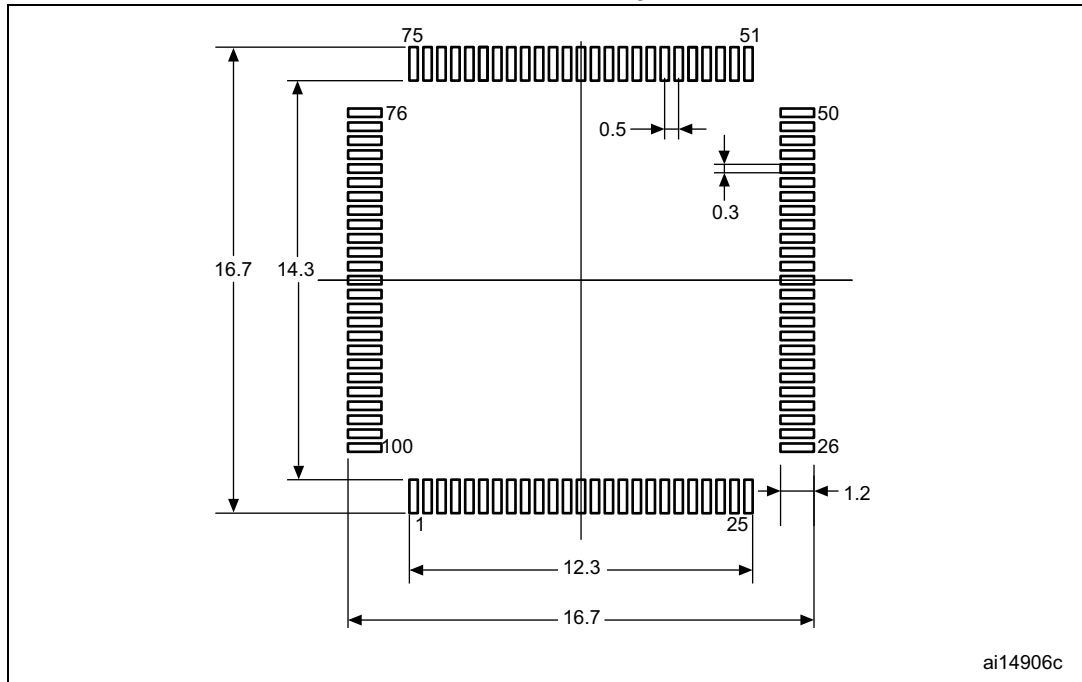


**Table 123. LQPF100 - 100-pin, 14 x 14 mm low-profile quad flat package mechanical data (continued)**

| Symbol | millimeters |        |        | inches <sup>(1)</sup> |        |        |
|--------|-------------|--------|--------|-----------------------|--------|--------|
|        | Min         | Typ    | Max    | Min                   | Typ    | Max    |
| E1     | 13.800      | 14.000 | 14.200 | 0.5433                | 0.5512 | 0.5591 |
| E3     | -           | 12.000 | -      | -                     | 0.4724 | -      |
| e      | -           | 0.500  | -      | -                     | 0.0197 | -      |
| L      | 0.450       | 0.600  | 0.750  | 0.0177                | 0.0236 | 0.0295 |
| L1     | -           | 1.000  | -      | -                     | 0.0394 | -      |
| k      | 0.0°        | 3.5°   | 7.0°   | 0.0°                  | 3.5°   | 7.0°   |
| ccc    | -           | -      | 0.080  | -                     | -      | 0.0031 |

1. Values in inches are converted from mm and rounded to 4 decimal digits.

**Figure 61. LQFP100 - 100-pin, 14 x 14 mm low-profile quad flat recommended footprint**



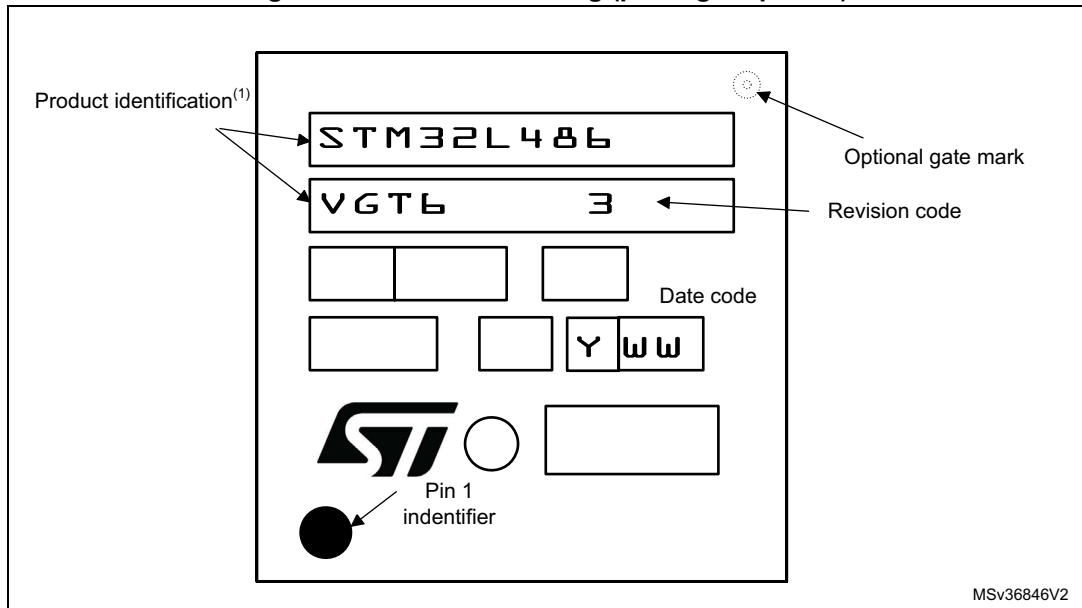
1. Dimensions are expressed in millimeters.

**Device marking**

The following figure gives an example of topside marking orientation versus pin 1 identifier location.

Other optional marking or inset/upset marks, which identify the parts throughout supply chain operations, are not indicated below.

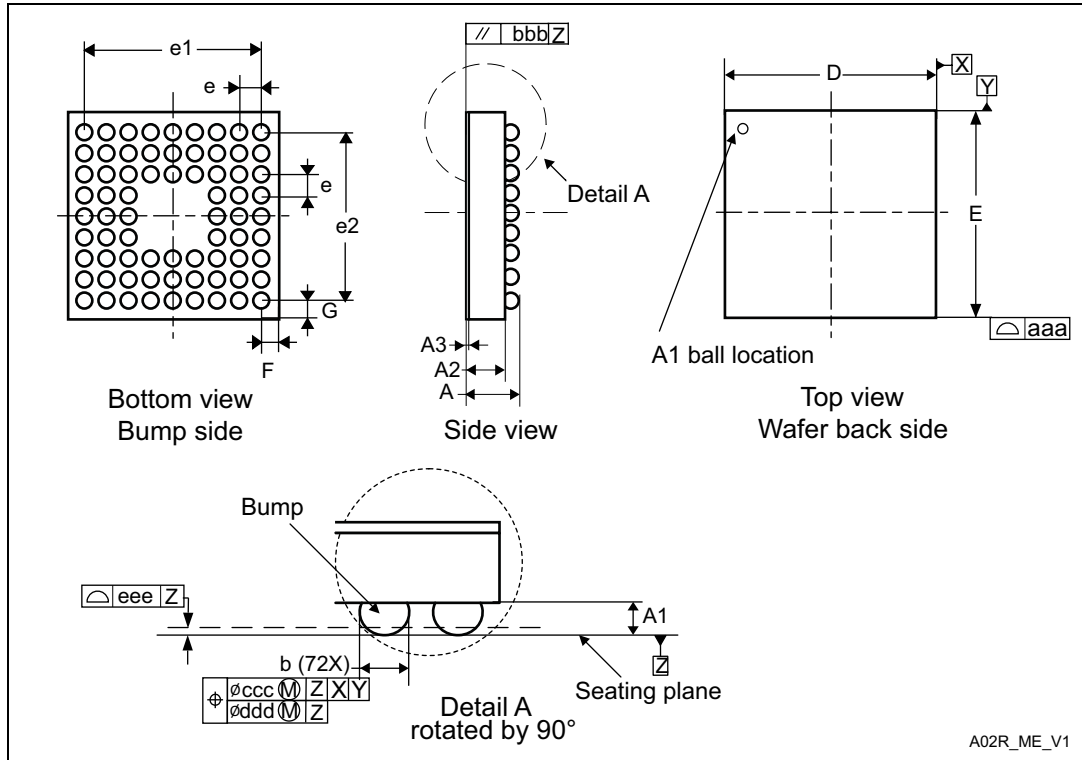
Figure 62. LQFP100 marking (package top view)



1. Parts marked as ES or E or accompanied by an Engineering Sample notification letter are not yet qualified and therefore not approved for use in production. ST is not responsible for any consequences resulting from such use. In no event will ST be liable for the customer using any of these engineering samples in production. ST's Quality department must be contacted prior to any decision to use these engineering samples to run a qualification activity.

### 7.4 WLCSP72 package information

Figure 63. WLCSP72 - 72-ball, 4.4084 x 3.7594 mm, 0.4 mm pitch wafer level chip scale package outline



1. Drawing is not to scale.

Table 124. WLCSP72 - 72-ball, 4.4084 x 3.7594 mm, 0.4 mm pitch wafer level chip scale package mechanical data

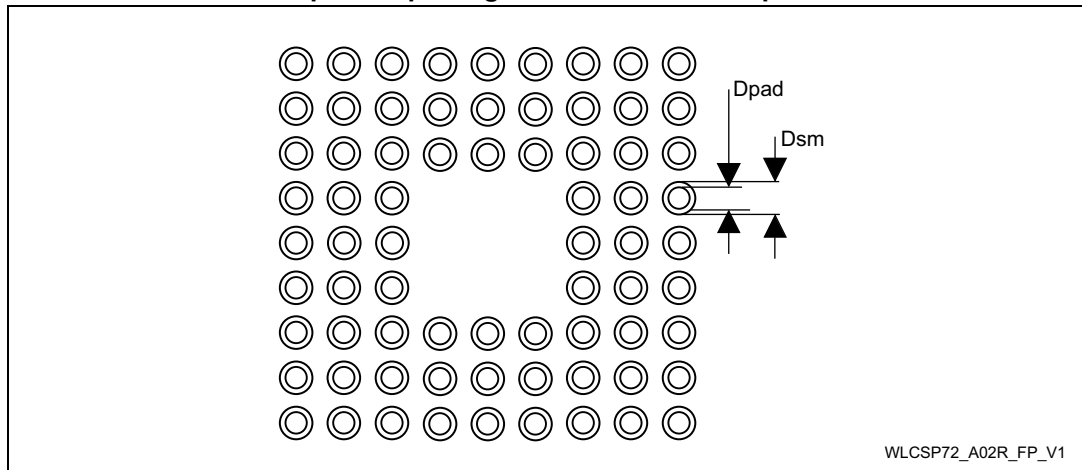
| Symbol            | millimeters |        |        | inches <sup>(1)</sup> |        |        |
|-------------------|-------------|--------|--------|-----------------------|--------|--------|
|                   | Min         | Typ    | Max    | Min                   | Typ    | Max    |
| A                 | 0.525       | 0.555  | 0.585  | 0.0207                | 0.0219 | 0.0230 |
| A1                | -           | 0.175  | -      | -                     | 0.0069 | -      |
| A2                | -           | 0.380  | -      | -                     | 0.0150 | -      |
| A3 <sup>(2)</sup> | -           | 0.025  | -      | -                     | 0.0010 | -      |
| b <sup>(3)</sup>  | 0.220       | 0.250  | 0.280  | 0.0087                | 0.0098 | 0.0110 |
| D                 | 4.3734      | 4.4084 | 4.4434 | 0.1722                | 0.1736 | 0.1749 |
| E                 | 3.7244      | 3.7594 | 3.7944 | 0.1466                | 0.1480 | 0.1494 |
| e                 | -           | 0.400  | -      | -                     | 0.0157 | -      |
| e1                | -           | 3.200  | -      | -                     | 0.1260 | -      |
| e2                | -           | 3.200  | -      | -                     | 0.1260 | -      |
| F                 | -           | 0.6042 | -      | -                     | 0.0238 | -      |
| G                 | -           | 0.2797 | -      | -                     | 0.0110 | -      |

**Table 124. WLCSP72 - 72-ball, 4.4084 x 3.7594 mm, 0.4 mm pitch wafer level chip scale package mechanical data (continued)**

| Symbol | millimeters |       |     | inches <sup>(1)</sup> |        |     |
|--------|-------------|-------|-----|-----------------------|--------|-----|
|        | Min         | Typ   | Max | Min                   | Typ    | Max |
| aaa    | -           | 0.100 | -   | -                     | 0.0039 | -   |
| bbb    | -           | 0.100 | -   | -                     | 0.0039 | -   |
| ccc    | -           | 0.100 | -   | -                     | 0.0039 | -   |
| ddd    | -           | 0.050 | -   | -                     | 0.0020 | -   |
| eee    | -           | 0.050 | -   | -                     | 0.0020 | -   |

1. Values in inches are converted from mm and rounded to 4 decimal digits.
2. Back side coating
3. Dimension is measured at the maximum bump diameter parallel to primary datum Z.

**Figure 64. WLCSP72 - 72-ball, 4.4084 x 3.7594 mm, 0.4 mm pitch wafer level chip scale package recommended footprint**



**Table 125. WLCSP72 recommended PCB design rules (0.4 mm pitch BGA)**

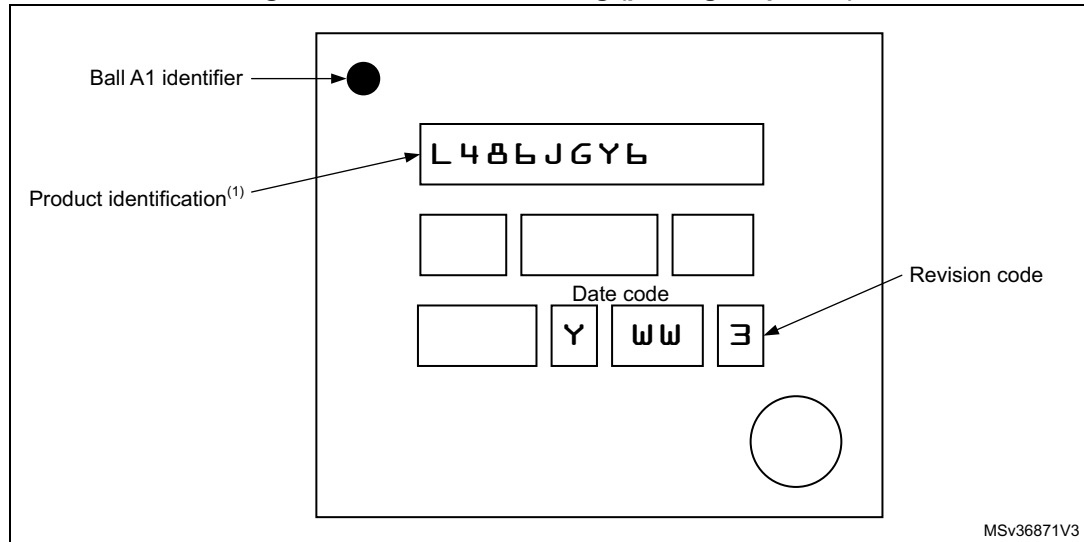
| Dimension         | Recommended values  |
|-------------------|---|
| Pitch             | 0.4 mm  |
| Dpad              | 0.225 mm  |
| Dsm               | 0.290 mm typ. (depends on the solder mask registration tolerance) |
| Stencil opening   | 0.250 mm  |
| Stencil thickness | 0.100 mm  |

**Device marking**

The following figure gives an example of topside marking orientation versus ball A1 identifier location.

Other optional marking or inset/upset marks, which identify the parts throughout supply chain operations, are not indicated below.

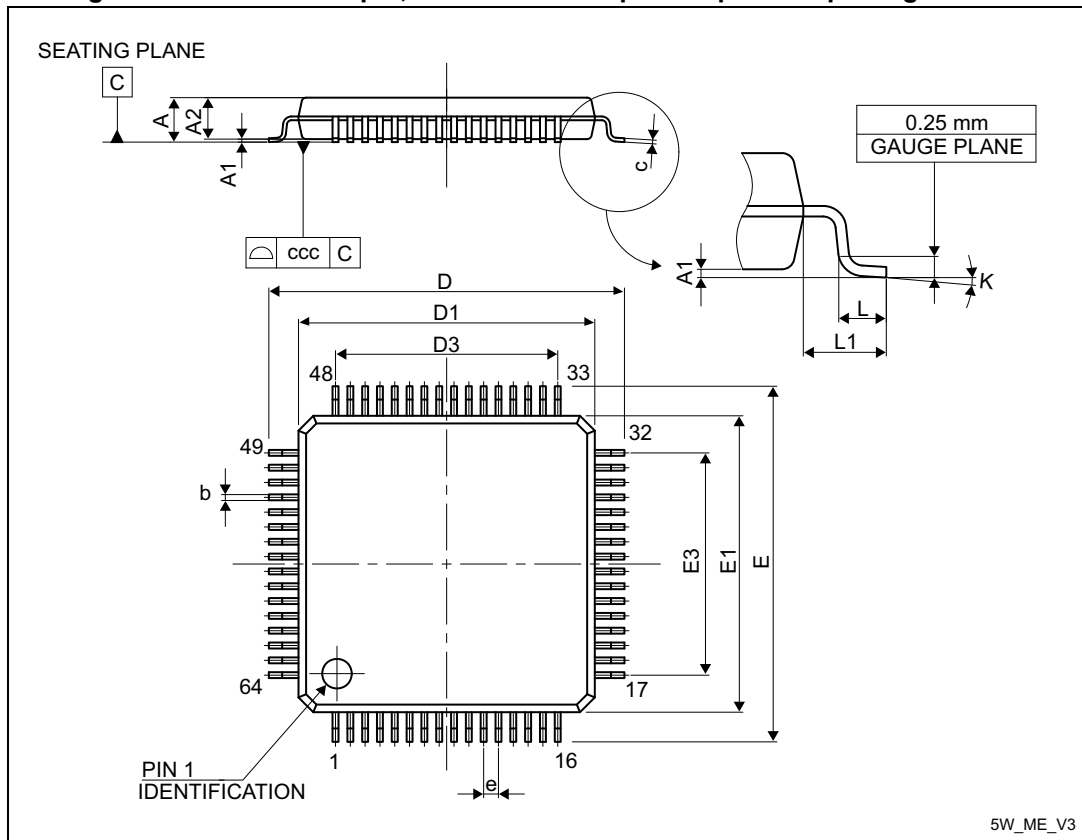
**Figure 65. WLCSP72 marking (package top view)**



1. Parts marked as ES or E or accompanied by an Engineering Sample notification letter are not yet qualified and therefore not approved for use in production. ST is not responsible for any consequences resulting from such use. In no event will ST be liable for the customer using any of these engineering samples in production. ST's Quality department must be contacted prior to any decision to use these engineering samples to run a qualification activity.

## 7.5 LQFP64 package information

Figure 66. LQFP64 - 64-pin, 10 x 10 mm low-profile quad flat package outline



1. Drawing is not to scale.

Table 126. LQFP64 - 64-pin, 10 x 10 mm low-profile quad flat package mechanical data

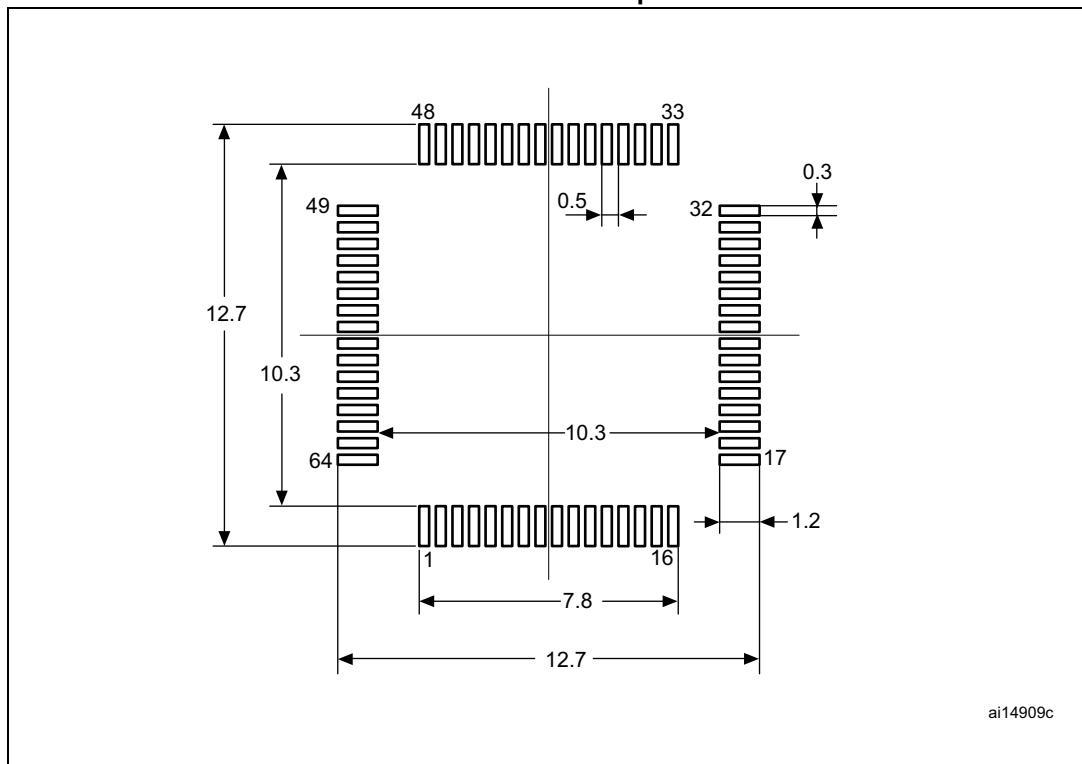
| Symbol | millimeters |        |       | inches <sup>(1)</sup> |        |        |
|--------|-------------|--------|-------|-----------------------|--------|--------|
|        | Min         | Typ    | Max   | Min                   | Typ    | Max    |
| A      | -           | -      | 1.600 | -                     | -      | 0.0630 |
| A1     | 0.050       | -      | 0.150 | 0.0020                | -      | 0.0059 |
| A2     | 1.350       | 1.400  | 1.450 | 0.0531                | 0.0551 | 0.0571 |
| b      | 0.170       | 0.220  | 0.270 | 0.0067                | 0.0087 | 0.0106 |
| c      | 0.090       | -      | 0.200 | 0.0035                | -      | 0.0079 |
| D      | -           | 12.000 | -     | -                     | 0.4724 | -      |
| D1     | -           | 10.000 | -     | -                     | 0.3937 | -      |
| D3     | -           | 7.500  | -     | -                     | 0.2953 | -      |
| E      | -           | 12.000 | -     | -                     | 0.4724 | -      |
| E1     | -           | 10.000 | -     | -                     | 0.3937 | -      |

**Table 126. LQFP64 - 64-pin, 10 x 10 mm low-profile quad flat package mechanical data (continued)**

| Symbol | millimeters |       |       | inches <sup>(1)</sup> |        |        |
|--------|-------------|-------|-------|-----------------------|--------|--------|
|        | Min         | Typ   | Max   | Min                   | Typ    | Max    |
| E3     | -           | 7.500 | -     | -                     | 0.2953 | -      |
| e      | -           | 0.500 | -     | -                     | 0.0197 | -      |
| K      | 0°          | 3.5°  | 7°    | 0°                    | 3.5°   | 7°     |
| L      | 0.450       | 0.600 | 0.750 | 0.0177                | 0.0236 | 0.0295 |
| L1     | -           | 1.000 | -     | -                     | 0.0394 | -      |
| ccc    | -           | -     | 0.080 | -                     | -      | 0.0031 |

1. Values in inches are converted from mm and rounded to 4 decimal digits.

**Figure 67. LQFP64 - 64-pin, 10 x 10 mm low-profile quad flat package recommended footprint**



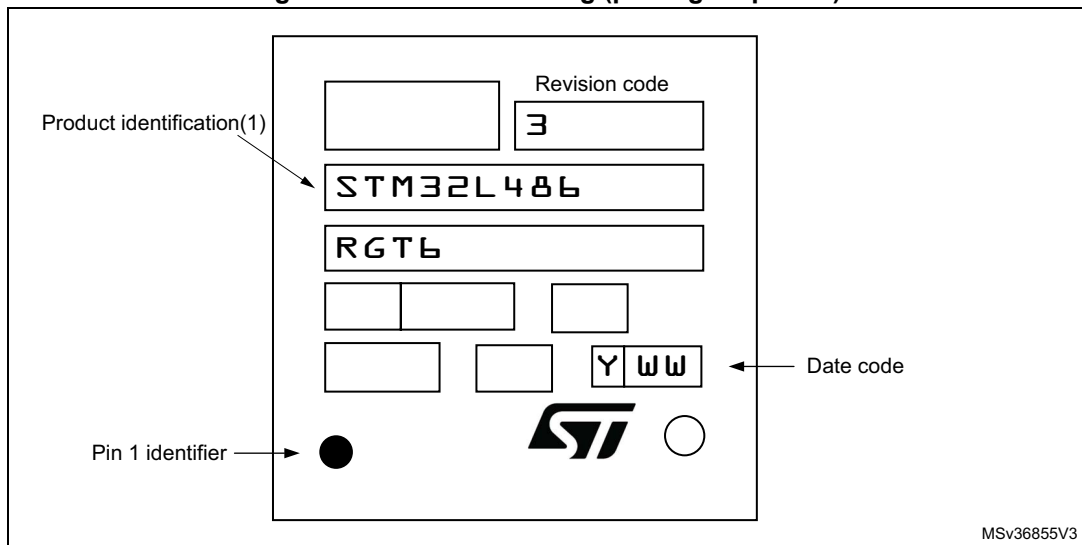
1. Dimensions are expressed in millimeters.

**Device marking**

The following figure gives an example of topside marking orientation versus pin 1 identifier location.

Other optional marking or inset/upset marks, which identify the parts throughout supply chain operations, are not indicated below.

Figure 68. LQFP64 marking (package top view)



1. Parts marked as ES or E or accompanied by an Engineering Sample notification letter are not yet qualified and therefore not approved for use in production. ST is not responsible for any consequences resulting from such use. In no event will ST be liable for the customer using any of these engineering samples in production. ST's Quality department must be contacted prior to any decision to use these engineering samples to run a qualification activity.



## 7.6 Thermal characteristics

The maximum chip junction temperature ( $T_{Jmax}$ ) must never exceed the values given in [Table 22: General operating conditions](#).

The maximum chip-junction temperature,  $T_J$  max, in degrees Celsius, may be calculated using the following equation:

$$T_J \text{ max} = T_A \text{ max} + (P_D \text{ max} \times \Theta_{JA})$$

Where:

- $T_A$  max is the maximum ambient temperature in °C,
- $\Theta_{JA}$  is the package junction-to-ambient thermal resistance, in °C/W,
- $P_D$  max is the sum of  $P_{INT}$  max and  $P_{I/O}$  max ( $P_D$  max =  $P_{INT}$  max +  $P_{I/O}$  max),
- $P_{INT}$  max is the product of all  $I_{DDXXX}$  and  $V_{DDXXX}$ , expressed in Watts. This is the maximum chip internal power.

$P_{I/O}$  max represents the maximum power dissipation on output pins where:

$$P_{I/O} \text{ max} = \sum (V_{OL} \times I_{OL}) + \sum ((V_{DDIOx} - V_{OH}) \times I_{OH}),$$

taking into account the actual  $V_{OL} / I_{OL}$  and  $V_{OH} / I_{OH}$  of the I/Os at low and high level in the application.

**Table 127. Package thermal characteristics**

| Symbol        | Parameter   | Value | Unit |
|---------------|---|-------|------|
| $\Theta_{JA}$ | Thermal resistance junction-ambient<br>LQFP64 - 10 × 10 mm / 0.5 mm pitch | 45    | °C/W |
|               | Thermal resistance junction-ambient<br>LQFP100 - 14 × 14mm                | 42    |      |
|               | Thermal resistance junction-ambient<br>LQFP144 - 20 × 20 mm               | 32    |      |
|               | Thermal resistance junction-ambient<br>UFBGA132 - 7 × 7 mm                | 55    |      |
|               | Thermal resistance junction-ambient<br>WLCSP72                            | 46    |      |

### 7.6.1 Reference document

JESD51-2 Integrated Circuits Thermal Test Method Environment Conditions - Natural Convection (Still Air). Available from [www.jedec.org](http://www.jedec.org)

### 7.6.2 Selecting the product temperature range

When ordering the microcontroller, the temperature range is specified in the ordering information scheme shown in [Section 8: Ordering information](#).

Each temperature range suffix corresponds to a specific guaranteed ambient temperature at maximum dissipation and, to a specific maximum junction temperature.

As applications do not commonly use the STM32L486xx at maximum dissipation, it is useful to calculate the exact power consumption and junction temperature to determine which temperature range will be best suited to the application.

The following examples show how to calculate the temperature range needed for a given application.

### Example 1: High-performance application

Assuming the following application conditions:

Maximum ambient temperature  $T_{Amax} = 82\text{ °C}$  (measured according to JESD51-2),  
 $I_{DDmax} = 50\text{ mA}$ ,  $V_{DD} = 3.5\text{ V}$ , maximum 20 I/Os used at the same time in output at low level with  $I_{OL} = 8\text{ mA}$ ,  $V_{OL} = 0.4\text{ V}$  and maximum 8 I/Os used at the same time in output at low level with  $I_{OL} = 20\text{ mA}$ ,  $V_{OL} = 1.3\text{ V}$

$$P_{INTmax} = 50\text{ mA} \times 3.5\text{ V} = 175\text{ mW}$$

$$P_{IOmax} = 20 \times 8\text{ mA} \times 0.4\text{ V} + 8 \times 20\text{ mA} \times 1.3\text{ V} = 272\text{ mW}$$

This gives:  $P_{INTmax} = 175\text{ mW}$  and  $P_{IOmax} = 272\text{ mW}$ :

$$P_{Dmax} = 175 + 272 = 447\text{ mW}$$

Using the values obtained in [Table 127](#)  $T_{Jmax}$  is calculated as follows:

– For LQFP64,  $45\text{ °C/W}$

$$T_{Jmax} = 82\text{ °C} + (45\text{ °C/W} \times 447\text{ mW}) = 82\text{ °C} + 20.115\text{ °C} = 102.115\text{ °C}$$

This is within the range of the suffix 6 version parts ( $-40 < T_J < 105\text{ °C}$ ) see [Section 8: Ordering information](#).

In this case, parts must be ordered at least with the temperature range suffix 6 (see Part numbering).

*Note:* With this given  $P_{Dmax}$  we can find the  $T_{Amax}$  allowed for a given device temperature range (order code suffix 6 or 7).

$$\text{Suffix 6: } T_{Amax} = T_{Jmax} - (45\text{ °C/W} \times 447\text{ mW}) = 105 - 20.115 = 84.885\text{ °C}$$

$$\text{Suffix 7: } T_{Amax} = T_{Jmax} - (45\text{ °C/W} \times 447\text{ mW}) = 125 - 20.115 = 104.885\text{ °C}$$

### Example 2: High-temperature application

Using the same rules, it is possible to address applications that run at high ambient temperatures with a low dissipation, as long as junction temperature  $T_J$  remains within the specified range.

Assuming the following application conditions:

Maximum ambient temperature  $T_{Amax} = 100\text{ °C}$  (measured according to JESD51-2),  
 $I_{DDmax} = 20\text{ mA}$ ,  $V_{DD} = 3.5\text{ V}$ , maximum 20 I/Os used at the same time in output at low level with  $I_{OL} = 8\text{ mA}$ ,  $V_{OL} = 0.4\text{ V}$

$$P_{INTmax} = 20\text{ mA} \times 3.5\text{ V} = 70\text{ mW}$$

$$P_{IOmax} = 20 \times 8\text{ mA} \times 0.4\text{ V} = 64\text{ mW}$$

This gives:  $P_{INTmax} = 70\text{ mW}$  and  $P_{IOmax} = 64\text{ mW}$ :

$$P_{Dmax} = 70 + 64 = 134\text{ mW}$$

Thus:  $P_{Dmax} = 134\text{ mW}$

Using the values obtained in [Table 127](#)  $T_{Jmax}$  is calculated as follows:

– For LQFP64,  $45\text{ °C/W}$

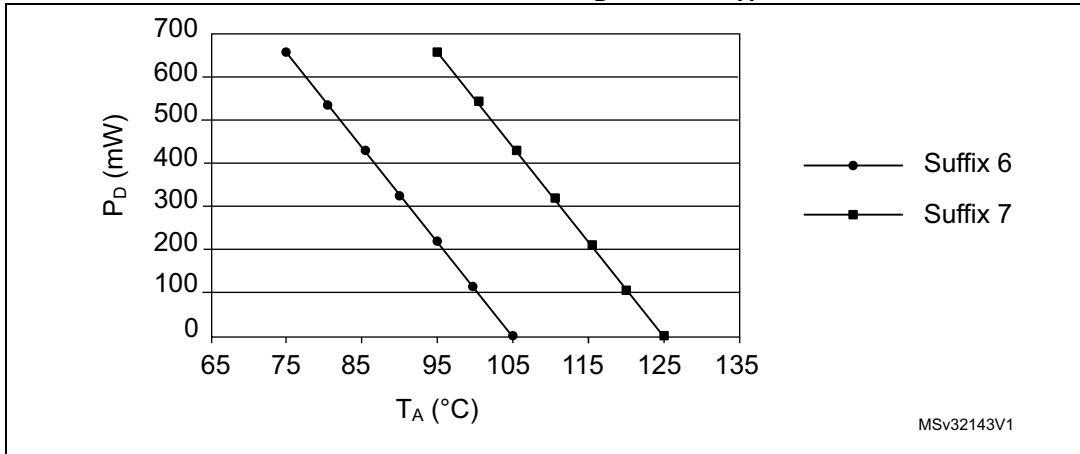
$$T_{Jmax} = 100\text{ °C} + (45\text{ °C/W} \times 134\text{ mW}) = 100\text{ °C} + 6.03\text{ °C} = 106.03\text{ °C}$$

This is above the range of the suffix 6 version parts ( $-40 < T_J < 105\text{ °C}$ ).

In this case, parts must be ordered at least with the temperature range suffix 7 (see [Section 8: Ordering information](#)) unless we reduce the power dissipation in order to be able to use suffix 6 parts.

Refer to [Figure 69](#) to select the required temperature range (suffix 6 or 7) according to your ambient temperature or power requirements.

Figure 69. LQFP64 P<sub>D</sub> max vs. T<sub>A</sub>



# 8 Ordering information

**Table 128. STM32L486xx ordering information scheme**

| Example:   | STM32 | L | 486 | R | G | T | 6 | P | I | TR |
|--|-------|---|-----|---|---|---|---|---|---|----|
| <b>Device family</b><br>STM32 = Arm® based 32-bit microcontroller  |       |   |     |   |   |   |   |   |   |    |
| <b>Product type</b><br>L = ultra-low-power   |       |   |     |   |   |   |   |   |   |    |
| <b>Device subfamily</b><br>486: STM32L486xx  |       |   |     |   |   |   |   |   |   |    |
| <b>Pin count</b><br>R = 64 pins<br>J = 72 pins<br>V = 100 pins<br>Q = 132 pins<br>Z = 144 pins   |       |   |     |   |   |   |   |   |   |    |
| <b>Flash memory size</b><br>G = 1 MB of Flash memory   |       |   |     |   |   |   |   |   |   |    |
| <b>Package</b><br>T = LQFP ECOPACK®2<br>I = UFBGA ECOPACK®2<br>Y = CSP ECOPACK®2   |       |   |     |   |   |   |   |   |   |    |
| <b>Temperature range</b><br>6 = Industrial temperature range, -40 to 85 °C (105 °C junction)<br>7 = Industrial temperature range, -40 to 105 °C (125 °C junction)<br>3 = Industrial temperature range, -40 to 125 °C (130 °C junction) |       |   |     |   |   |   |   |   |   |    |
| <b>Option</b><br>Blank = Standard production with integrated LDO<br>P = Dedicated pinout supporting external SMPS  |       |   |     |   |   |   |   |   |   |    |
| <b>OptionSpecific package</b><br>I = Specific material used <sup>(1)</sup><br>Blank = Standard   |       |   |     |   |   |   |   |   |   |    |
| <b>Packing</b><br>TR = tape and reel<br>xxx = programmed parts   |       |   |     |   |   |   |   |   |   |    |

1. This option is available only on STM32L486RGT6ITR part number under specific ordering conditions. Contact your nearest ST sales office for availability.

For a list of available options (speed, package, etc.) or for further information on any aspect of this device, please contact your nearest ST sales office.



## 9 Revision history

**Table 129. Document revision history**

| Date        | Revision | Changes  |
|-------------|----------|--|
| 29-May-2015 | 1        | Initial release.   |
| 12-Jun-2015 | 2        | Updated <a href="#">Table 16: STM32L486xx pin definitions</a> and <a href="#">Table 85: COMP characteristics</a> .   |
| 18-Sep-2015 | 3        | <p>Changed alternate function pin name “SWDAT” into “SWDIO” in all the document.</p> <p>Updated <a href="#">Section 3.9.1: Power supply schemes</a>.</p> <p>Updated <a href="#">Section 3.15.1: Temperature sensor</a>.</p> <p>In all <a href="#">Section 6: Electrical characteristics</a>, renamed table footnotes related to test and characterization.</p> <p>Added <a href="#">Note 2</a>.</p> <p>Updated <a href="#">Table 51: Low-power mode wakeup timings</a>.</p> <p>Updated <a href="#">Table 52: Regulator modes transition times</a>.</p> <p>Updated <a href="#">Table 58: HSI16 oscillator characteristics</a>.</p> <p>Added <a href="#">Table 27: HSI16 frequency versus temperature</a>.</p> <p>Updated <a href="#">Table 59: MSI oscillator characteristics</a>.</p> <p>Updated <a href="#">Table 61: LSI oscillator characteristics</a>.</p> <p>Updated <a href="#">Table 69: I/O current injection susceptibility</a>.</p> <p>Removed first Note in <a href="#">Table 70: I/O static characteristics</a>.</p> <p>Removed second Note in <a href="#">Table 71: Output voltage characteristics</a>.</p> <p>Updated <a href="#">Table 76: ADC characteristics</a>.</p> <p>Updated <a href="#">Table 78: ADC accuracy - limited test conditions 1</a>.</p> <p>Added <a href="#">Table 79: ADC accuracy - limited test conditions 2</a>.</p> <p>Added <a href="#">Table 80: ADC accuracy - limited test conditions 3</a>.</p> <p>Added <a href="#">Table 81: ADC accuracy - limited test conditions 4</a>.</p> <p>Updated <a href="#">Table 83: DAC accuracy</a>.</p> <p>Updated <a href="#">Table 84: VREFBUF characteristics</a>.</p> <p>Added <a href="#">Section 6.3.26: DFSDM characteristics</a>.</p> <p>Updated <a href="#">Section : Quad SPI characteristics</a>.</p> <p>Updated <a href="#">Table 97: Quad SPI characteristics in SDR mode</a>.</p> <p>Updated <a href="#">Table 98: QUADSPI characteristics in DDR mode</a>.</p> <p>Updated <a href="#">Table 101: USB electrical characteristics</a>.</p> <p>Updated <a href="#">Section 7.2: UFBGA132 package information</a>.</p> <p>Updated <a href="#">Section 7.4: WLCSP72 package information</a>.</p> <p>Updated <a href="#">Table 68: LQFP64 marking (package top view)</a>.</p> |

Table 129. Document revision history (continued)

| Date        | Revision | Changes   |
|-------------|----------|---|
| 04-Dec-2015 | 4        | <p>In all the document:</p> <ul style="list-style-type: none"> <li>– Stop 1 with main regulator becomes Stop 0</li> <li>– Stop 1 with low-power regulator remains as Stop 1.</li> </ul> <p>In <a href="#">Section 4: Pinouts and pin description</a>:</p> <ul style="list-style-type: none"> <li>– PC14/OSC32_IN becomes PC14-OSC32_IN (PC14)</li> <li>– PC15/OSC32_OUT becomes PC15-OSC32_OUT (PC15)</li> <li>– PH0/OSC_IN becomes PH0-OSC_IN (PH0)</li> <li>– PH1/OSC_OUT becomes PH1-OSC_OUT (PH1)</li> <li>– PA13 becomes PA13 (JTMS-SWDIO)</li> <li>– PA14 becomes PA14 (JTCK-SWCLK)</li> <li>– PA15 becomes PA15 (JTDI)</li> <li>– PB3 becomes PB3 (JTDO-TRACESWO)</li> <li>– PB4 becomes PB4 (NJTRST).</li> </ul> <p>Added <a href="#">Table 13: STM32L486xx USART/UART/LPUART features</a>.</p> <p>Added <a href="#">Note 5</a>.</p> <p>Updated <a href="#">Table 25: Embedded internal voltage reference</a>.</p> <p>Updated <a href="#">Table 34: Current consumption in Stop 2 mode</a>.</p> <p>Updated <a href="#">Table 35: Current consumption in Stop 1 mode</a>.</p> <p>Updated <a href="#">Table 47: Current consumption in Stop 0 mode</a>.</p> <p>Updated <a href="#">Table 48: Current consumption in Standby mode</a>.</p> <p>Updated <a href="#">Table 49: Current consumption in Shutdown mode</a>.</p> <p>Updated <a href="#">Table 51: Low-power mode wakeup timings</a>.</p> <p>Added <a href="#">Figure 22: VREFINT versus temperature</a>.</p> <p>Updated <a href="#">Figure 27: HSI16 frequency versus temperature</a>.</p> <p>Updated <a href="#">Table 70: I/O static characteristics</a>.</p> <p>Updated <a href="#">Table 82: DAC characteristics</a>.</p> <p>Updated <a href="#">Figure 57: UFBGA132 - 132-ball, 7 x 7 mm ultra thin fine pitch ball grid array package outline</a>.</p> <p>Updated <a href="#">Table 121: UFBGA132 - 132-ball, 7 x 7 mm ultra thin fine pitch ball grid array package mechanical data</a>.</p> |
| 17-Jun-2016 | 5        | <p>Replaced DFSDM by DFSDM1 in many places within the document.</p> <p>Added <a href="#">–: IRTIM (Infrared interface)</a> and updated number of maskable interrupts on cover page.</p> <p>Added IRTIM in <a href="#">Table 6: STM32L486xx peripherals interconnect matrix</a>.</p> <p>Updated number of maskable interrupts and edge detector lines in <a href="#">Section 3.14: Interrupts and events</a>.</p> <p>Added <a href="#">Figure 5: Voltage reference buffer</a>.</p> <p>Added <a href="#">Section 3.25.5: Infrared interface (IRTIM)</a>.</p>  |

**Table 129. Document revision history (continued)**

| Date        | Revision         | Changes  |
|-------------|------------------|--|
| 17-Jun-2016 | 5<br>(continued) | <p>Updated <a href="#">Section 3.28: Universal synchronous/asynchronous receiver transmitter (USART)</a>.</p> <p>Updated footnotes of <a href="#">Table 21: Current characteristics</a>.</p> <p>Added <a href="#">Table 33: Typical current consumption in Run and Low-power run modes, with different codes running from Flash, ART enable (Cache ON Prefetch OFF)</a>.</p> <p>Updated <a href="#">Table 52: Low-power mode wakeup timings</a>.</p> <p>Added <a href="#">Table 54: Wakeup time using USART/LPUART</a>.</p> <p>Updated OPAMPx_VINM in <a href="#">Table 70: I/O static characteristics</a>.</p> <p>Added footnote to <a href="#">Figure 28: Recommended NRST pin protection</a>.</p> <p>Updated <a href="#">Table 75: Analog switches booster characteristics</a>.</p> <p>Updated footnotes of <a href="#">Figure 30: Typical connection diagram using the ADC</a>.</p> <p>Updated footnotes of <a href="#">Table 84: VREFBUF characteristics</a>.</p> <p>Updated <a href="#">Table 86: OPAMP characteristics</a>.</p> <p>Added <a href="#">Section 6.3.30: SWPMI characteristics</a>.</p> <p>Updated <a href="#">Table 128: STM32L486xx ordering information scheme</a>.</p>                      |
| 06-Jul-2017 | 6                | <p>Added:</p> <ul style="list-style-type: none"> <li>– <a href="#">Table 10: DFSDM1 implementation</a></li> <li>– <a href="#">Figure 7: STM32L486Zx, external SMPS device, LQFP144 pinout<sup>(1)</sup></a></li> <li>– <a href="#">Figure 11: STM32L486Jx, external SMPS device, WLCSP72 ballout<sup>(1)</sup></a></li> <li>– <a href="#">Figure 13: STM32L486Rx, external SMPS device, LQFP64 pinout<sup>(1)</sup></a></li> <li>– <a href="#">Table 28: Current consumption in Run modes, code with data processing running from Flash, ART enable (Cache ON Prefetch OFF) and power supplied by external SMPS (VDD12 = 1.10 V)</a></li> <li>– <a href="#">Table 30: Current consumption in Run modes, code with data processing running from Flash, ART disable and power supplied by external SMPS (VDD12 = 1.10 V)</a></li> <li>– <a href="#">Table 32: Current consumption in Run, code with data processing running from SRAM1 and power supplied by external SMPS (VDD12 = 1.10 V)</a></li> <li>– <a href="#">Table 34: Typical current consumption in Run, with different codes running from Flash, ART enable (Cache ON Prefetch OFF) and power supplied by external SMPS (VDD12 = 1.10 V)</a></li> </ul> |

**Table 129. Document revision history (continued)**

| Date        | Revision         | Changes  |
|-------------|------------------|--|
| 06-Jul-2017 | 6<br>(continued) | <ul style="list-style-type: none"> <li>– <i>Table 35: Typical current consumption in Run, with different codes running from Flash, ART enable (Cache ON Prefetch OFF) and power supplied by external SMPS (VDD12 = 1.05 V)</i></li> <li>– <i>Table 37: Typical current consumption in Run modes, with different codes running from Flash, ART disable and power supplied by external SMPS (VDD12 = 1.10 V)</i></li> <li>– <i>Table 38: Typical current consumption in Run modes, with different codes running from Flash, ART disable and power supplied by external SMPS (VDD12 = 1.05 V)</i></li> <li>– <i>Table 40: Typical current consumption in Run mode, with different codes running from SRAM1 and power supplied by external SMPS (VDD12 = 1.10 V)</i></li> <li>– <i>Table 41: Typical current consumption in Run mode, with different codes running from SRAM1 and power supplied by external SMPS (VDD12 = 1.05 V)</i></li> <li>– <i>Table 43: Current consumption in Sleep, Flash ON and power supplied by external SMPS (VDD12 = 1.10 V)</i></li> <li>– <i>Table 54: Wakeup time using USART/LPUART</i></li> <li>– <i>Section 6.3.16: Extended interrupt and event controller input (EXTI) characteristics</i></li> <li>– <i>Section 6.3.30: SWPMI characteristics</i></li> <li>– <i>Table 104: USB BCD DC electrical characteristics</i></li> <li>– <i>Figure 41: USB OTG timings – definition of data signal rise and fall time</i></li> <li>Sections updated: <ul style="list-style-type: none"> <li>– <i>Section : Features</i></li> <li>– <i>Section 2: Description</i></li> <li>– <i>Section 3.9.1: Power supply schemes</i></li> <li>– <i>Section 3.9.3: Voltage regulator</i></li> <li>– <i>Section 3.14.2: Extended interrupt/event controller (EXTI)</i></li> <li>– <i>Section 3.25.6: Independent watchdog (IWDG)</i></li> <li>– <i>Section 3.28: Universal synchronous/asynchronous receiver transmitter (USART)</i></li> <li>– <i>Section 3.29: Low-power universal asynchronous receiver transmitter (LPUART)</i></li> <li>– <i>Section 3.35: Universal serial bus on-the-go full-speed (OTG_FS)</i></li> <li>– <i>Section 6.2: Absolute maximum ratings</i></li> <li>– <i>Section 6.3.5: Supply current characteristics</i></li> <li>– <i>Section 6.3.18: Analog-to-Digital converter characteristics</i></li> <li>– <i>Section : USB OTG full speed (FS) characteristics</i></li> <li>– <i>Section 7: Package information</i></li> <li>– <i>Section 8: Ordering information</i></li> </ul> </li> </ul> |





**Table 129. Document revision history (continued)**

| Date        | Revision         | Changes  |
|-------------|------------------|--|
| 06-Jul-2017 | 6<br>(continued) | <p>Tables updated:</p> <ul style="list-style-type: none"> <li>– <a href="#">Table 2: STM32L486xx family device features and peripheral counts</a></li> <li>– <a href="#">Table 4: STM32L486xx modes overview</a></li> <li>– <a href="#">Table 16: STM32L486xx pin definitions</a></li> <li>– <a href="#">Table 17: Alternate function AF0 to AF7</a> to update FMC_INT3 to FMC_INT and FMC_NCE3 to FMC_NCE</li> <li>– <a href="#">Table 20: Voltage characteristics</a></li> <li>– <a href="#">Table 23: General operating conditions</a></li> <li>– <a href="#">Table 70: I/O static characteristics</a></li> <li>– <a href="#">Table 76: ADC characteristics</a></li> <li>– <a href="#">Table 82: DAC characteristics</a></li> <li>– <a href="#">Table 85: COMP characteristics</a></li> <li>– <a href="#">Table 102: USB OTG DC electrical characteristics</a></li> <li>– <a href="#">Table 103: USB OTG electrical characteristics</a></li> <li>– <a href="#">Table 121: UFBGA132 - 132-ball, 7 x 7 mm ultra thin fine pitch ball grid array package mechanical data</a></li> <li>– <a href="#">Table 128: STM32L486xx ordering information scheme</a></li> </ul> <p>Figure updated:</p> <ul style="list-style-type: none"> <li>– <a href="#">Figure 1: STM32L486xx block diagram</a></li> <li>– <a href="#">Figure 6: STM32L486Zx LQFP144 pinout<sup>(1)</sup></a></li> <li>– <a href="#">Figure 12: STM32L486Rx LQFP64 pinout<sup>(1)</sup></a></li> <li>– <a href="#">Figure 18: Current consumption measurement scheme with and without external SMPS power supply</a></li> <li>– <a href="#">Figure 57: UFBGA132 - 132-ball, 7 x 7 mm ultra thin fine pitch ball grid array package outline</a></li> </ul> <p>Footnotes updated for:</p> <ul style="list-style-type: none"> <li>– <a href="#">Table 2: STM32L486xx family device features and peripheral counts</a></li> <li>– <a href="#">Table 4: STM32L486xx modes overview</a></li> <li>– <a href="#">Table 16: STM32L486xx pin definitions</a></li> <li>– <a href="#">Table 21: Current characteristics</a></li> <li>– <a href="#">Table 24: Operating conditions at power-up / power-down</a></li> <li>– <a href="#">Table 69: I/O current injection susceptibility</a></li> <li>– <a href="#">Table 70: I/O static characteristics</a></li> <li>– <a href="#">Table 77: Maximum ADC RAIN</a></li> <li>– <a href="#">Figure 30: Typical connection diagram using the ADC</a></li> <li>– <a href="#">Table 85: COMP characteristics</a></li> <li>– <a href="#">Table 91: DFSDM characteristics</a></li> <li>– <a href="#">Table 102: USB OTG DC electrical characteristics</a></li> <li>– <a href="#">Table 119: SWPMI electrical characteristics</a></li> </ul> |

Table 129. Document revision history (continued)

| Date        | Revision | Changes   |
|-------------|----------|---|
| 25-May-2018 | 7        | <p>Updated <a href="#">Energy benchmark</a>.</p> <p>Updated DAC terminology in all the document for clarification: single DAC instance (= DAC1) with 2 output channels.</p> <p>Updated clock-out capability in <a href="#">Section 3.11: Clocks and startup</a>.</p> <p>Updated <a href="#">Section 3.14.1: Nested vectored interrupt controller (NVIC)</a>.</p> <p>Updated <math>V_{DD12}</math> -<math>V_{SS}</math> in <a href="#">Table 20: Voltage characteristics</a>.</p> <p>Updated <a href="#">Table 82: DAC characteristics</a>.</p> <p>Added power up/down sequence requirements in <a href="#">Section 3.9.1: Power supply schemes</a>.</p> <p>Added <a href="#">Figure 3: Power-up/down sequence</a>.</p> <p>Updated <a href="#">Section 6.3.2: Operating conditions at power-up / power-down</a>.</p> |

**IMPORTANT NOTICE – PLEASE READ CAREFULLY**

STMicroelectronics NV and its subsidiaries ("ST") reserve the right to make changes, corrections, enhancements, modifications, and improvements to ST products and/or to this document at any time without notice. Purchasers should obtain the latest relevant information on ST products before placing orders. ST products are sold pursuant to ST's terms and conditions of sale in place at the time of order acknowledgement.

Purchasers are solely responsible for the choice, selection, and use of ST products and ST assumes no liability for application assistance or the design of Purchasers' products.

No license, express or implied, to any intellectual property right is granted by ST herein.

Resale of ST products with provisions different from the information set forth herein shall void any warranty granted by ST for such product.

ST and the ST logo are trademarks of ST. All other product or service names are the property of their respective owners.

Information in this document supersedes and replaces information previously supplied in any prior versions of this document.

© 2018 STMicroelectronics – All rights reserved



单击下面可查看定价，库存，交付和生命周期等信息

[>>STMicroelectronics\(意法半导体\)](#)