

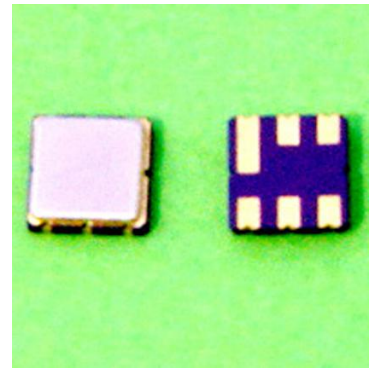
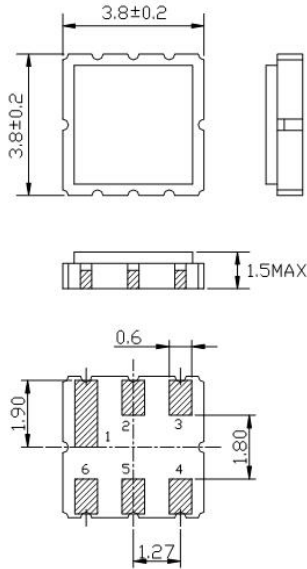




**1. Package Dimension**

(S3838)

Unit: mm



Pin No.	Function
Pin 2	Input
Pin 5	Output
Other	Ground

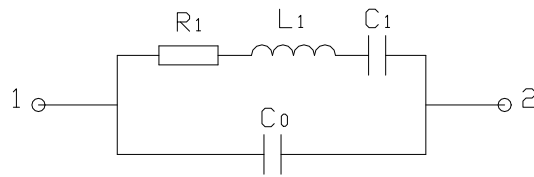
**2. Marking**

R868

• WF7

- (1) Ink Marking or Laser Marking
- (2) R: Products code
- (3) 868: Model code
- (4) • : Pin 1 Identifier
- (5) W: Tolerance code (+/-150KHz)
- (6) F7: Date code

### 3. Equivalent LC Model



### 4. Performance

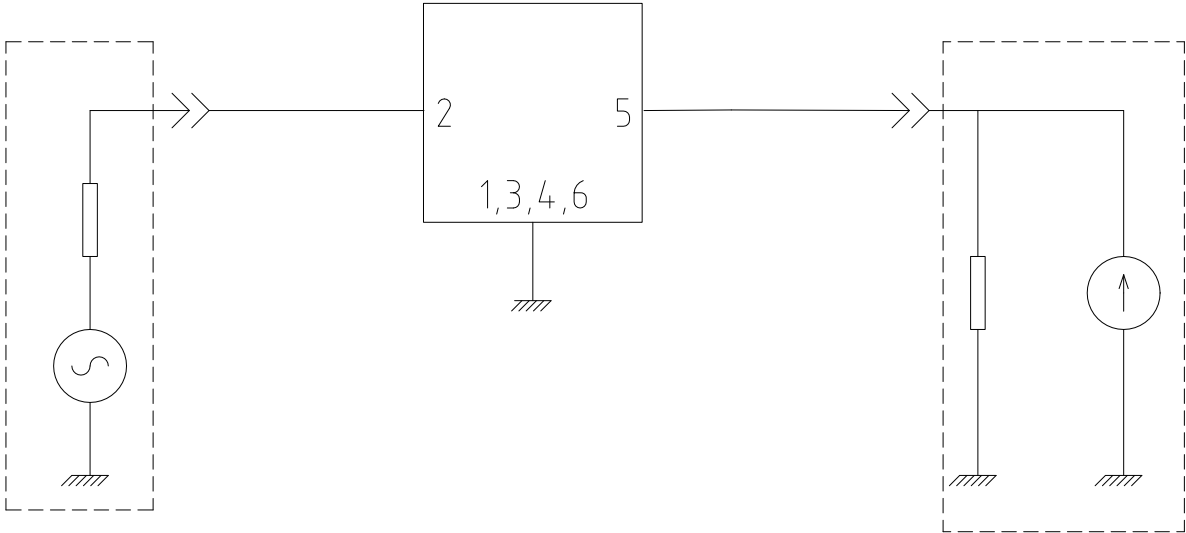
#### 4.1 Maximum Rating

Item	Value
Operation Temperature Range	-40°C to +85°C
Storage Temperature Range	-45°C to +85°C
DC Voltage	12V
Source Power	0 dBm

#### 4.2 Electronic Characteristics

Item	Units	Minimum	Typical	Maximum
Center Frequency (fo)	MHz	868.20	868.35	868.50
Insertion Loss	dB	—	1.5	2.5
Quality Factor				
Unloaded Q	—	—	8,000	—
50Ω Loaded Q	—	—	1,300	—
Temperature Stability				
Turnover Temperature	°C	—	25	—
Freq. Temp. Coefficient	ppm/°C	—	0.032	—
Frequency Aging	ppm/yr	—	<±10	—
DC Insulation Resistance	MΩ	1.0	—	—
RF Equivalent RLC Model				
Motional Resistance R1	Ω	—	18	—
Motional Inductance L1	μH	—	25.2	—
Motional Capacitance C1	fF	—	1.20	—
Shunt Static Capacitance C0	pF	—	1.6	—

4.3 Test Circuit



© Copyright 2006 STRONG, All Rights Reserved

单击下面可查看定价，库存，交付和生命周期等信息

[>>StrongFirst\(思硕\)](#)