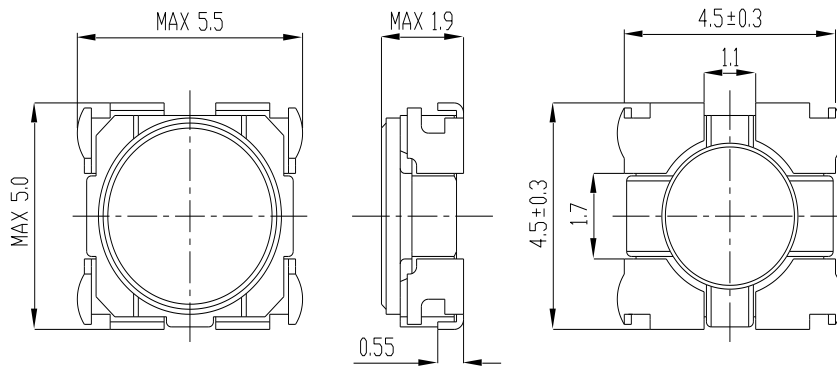
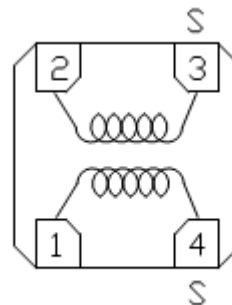
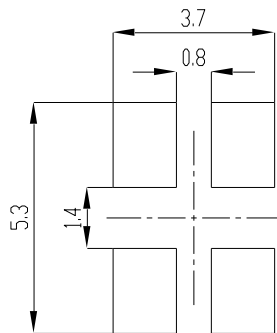


Type: CSLF4D17
◆ Product Description

- 5.5x5.0mm Max.(LxW), 1.9mm Max. Height.
- Custom design is available.


◆ Feature

- Ideally used as DC Line Filter for G-PON, Portable equipment, Audio equipment, Car navigation etc.
- RoHS Compliance.

◆ Dimensions (mm)

◆ Land Pattern (mm) and Schematics (Bottom)


“S” is winding start.

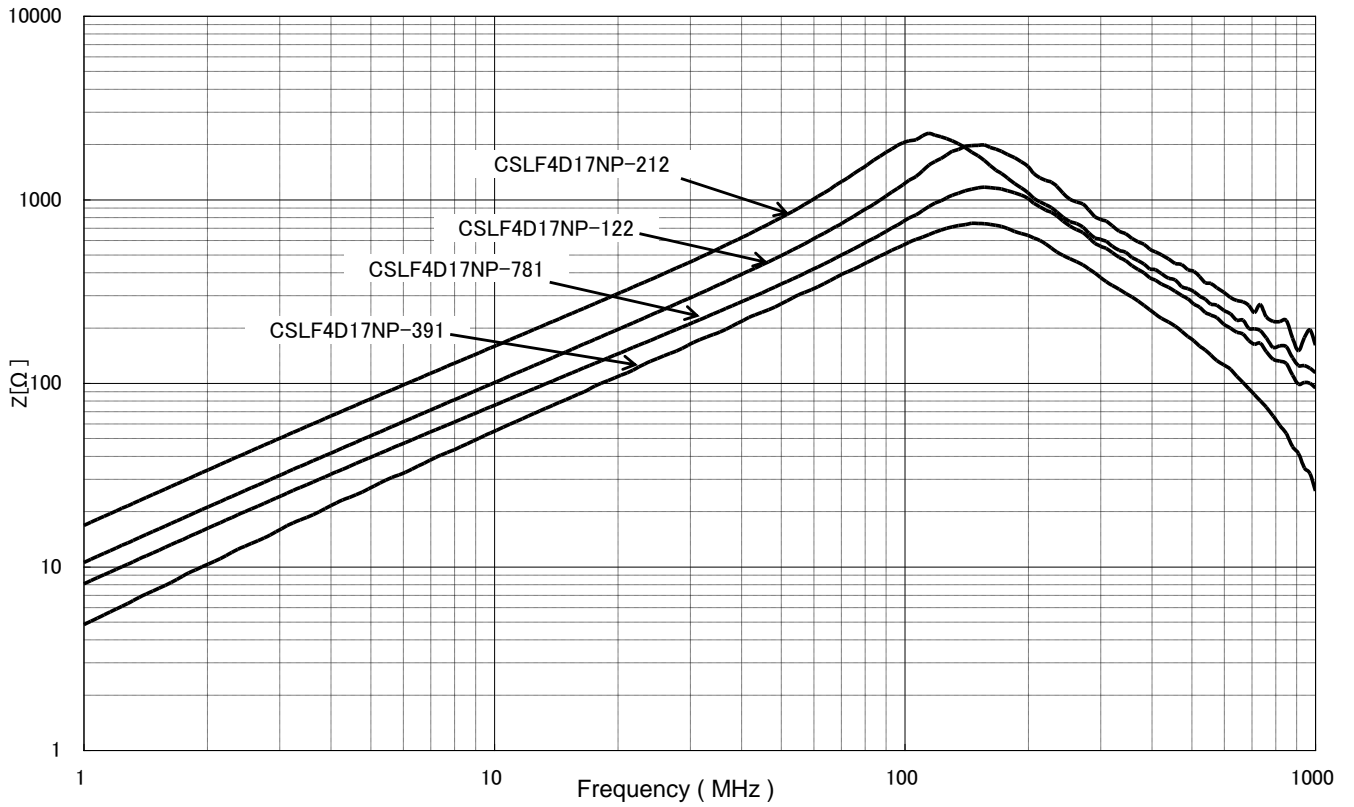
◆ Specification

P/N	Stamp	Impedance Min. (typ.)[Ω] at 100MHz 0.5V	D.C.R [mΩ]以内 (1-4),(2-3)間	Rated Voltage[V] (Max.)	Rated Current [mA] ※ (Max.)
CSLF4D17NP-212	1	1050(2100)	70 ± 40%	50	900
CSLF4D17NP-122	2	600(1200)	60 ± 40%	50	950
CSLF4D17NP-781	3	390(780)	50 ± 40%	50	1000
CSLF4D17NP-391	4	190(390)	40 ± 40%	50	1200

※ Rated current is the current value at which coil's temperature rise is $\Delta t=40^{\circ}\text{C}$ (3 and 4 shorted, $T_a=20^{\circ}\text{C}$)

Type: CSLF4D17

Impedance vs Frequency (for reference)



单击下面可查看定价，库存，交付和生命周期等信息

[>>Sumida Corporation\(胜美达\)](#)