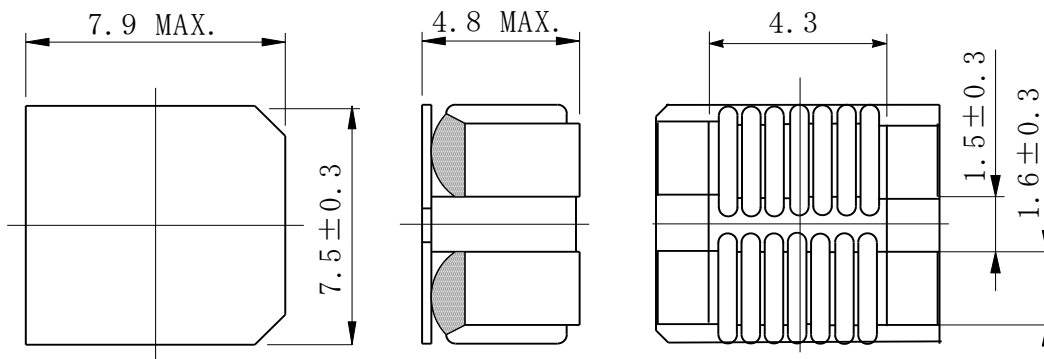
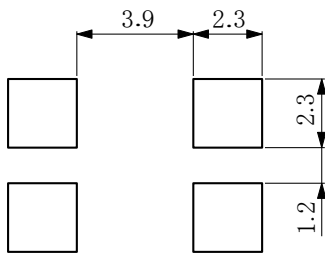
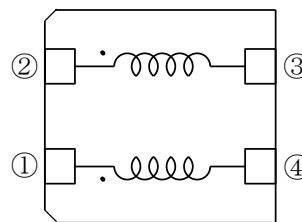


Type: CPFC805
◆ Product Description

- Size: 7.9×7.8mm Max.(L×W), 4.8mm Max. Height .
- Insulated withstand voltage: DC 100V


◆ Feature

- High impedance in wide range of frequency.
- Ideally used in DC line noise reduction for LCD TV and PC.
- RoHS Compliance

◆ Dimensions (mm)

◆ Land Pattern (mm)

◆ Schematics (Bottom)


- * Winding start is #1,#2 or #4,#3.
- * #1 and #4,#2 and #3 : should be same polarity.

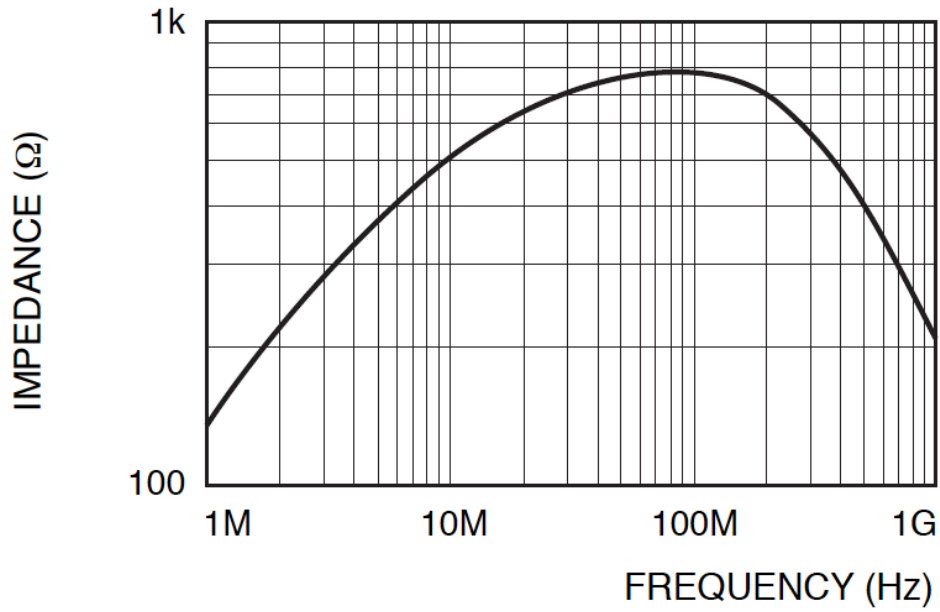
◆ Specification

Part Name	Stamp	Impedance (Ω)<Min.> (1,2-3,4) 100MHz	D.C.R. ($m\Omega$) <Max.> (1-4),(2-3)	Rated current (1-2)(A) (3-4) shorted ※1
CPFC805-1 \emptyset 0M05	M05	500	15	4.5

※ Rated current: The DC current at which the temperature rise is $\Delta t=40^{\circ}\text{C}$.($T_a=20^{\circ}\text{C}$).

Type: CPFC805

Impedance Characteristics / インピーダンス特性



单击下面可查看定价，库存，交付和生命周期等信息

[>>Sumida Corporation\(胜美达\)](#)