

# LF receiver antenna

CAS13D31



## Outline

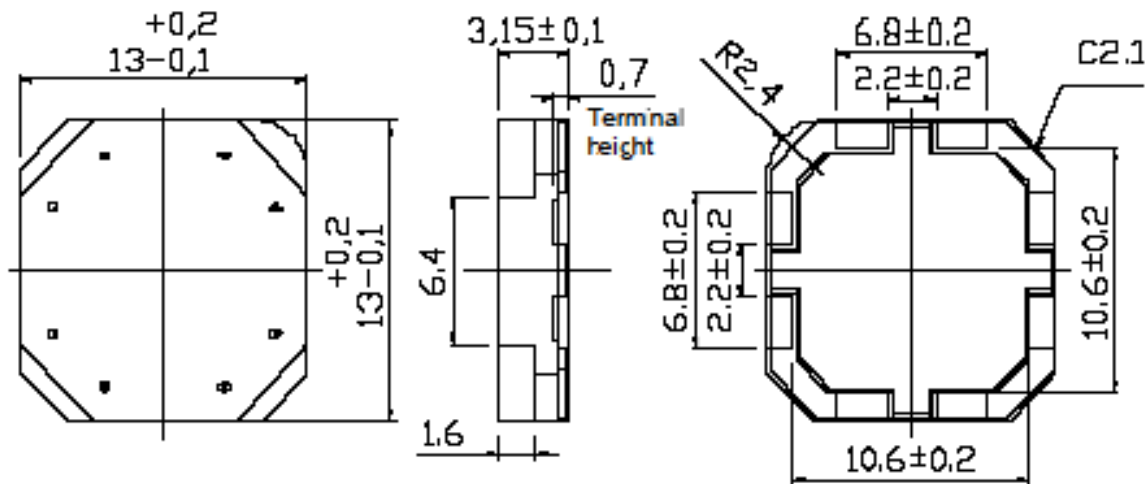
- Compact LF receiver antenna (3D).
- Covered by over-molding.
- High sensitivity and reliability.
- L × W × H: 13.2 × 13.2 × 3.25 mm Max.
- Product weight: 1.3g (ref.)
- Operating temperature range: -40°C~ +85°C
- Storage temperature range: -40°C~ +85°C
- RoHS compliance



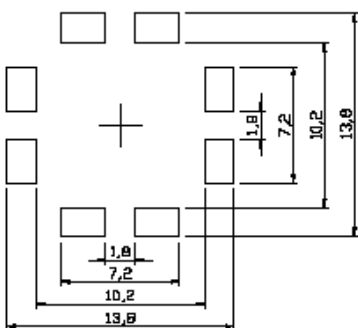
## Application

- PEPS, Smart key system. Security system..

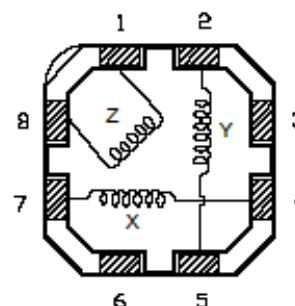
## Dimensions (Unit : mm)



## Suggest PCB layout (mm)



## Schematic diagram (Bottom view)



# LF receiver antenna

CAS13D31



## Electric characteristic

Part number	Item	4-7 ( X-axis )	2-5 ( Y-axis )	1-8 ( Z-axis )
CAS13D31-232	Inductance	2.36 mH $\pm$ 4%	2.36 mH $\pm$ 4%	3.4 mH $\pm$ 4%
	Unloaded Q	Min.35	Min.35	Min.30
	S.R.F	2MHz Min.	2MHz Min.	700kHz Min.
CAS13D31-472	Inductance	4.7mH $\pm$ 4%	4.7mH $\pm$ 4%	7.2mH $\pm$ 4%
	Unloaded Q	Min.35	Min.35	Min.30
	S.R.F	1.5MHz Min.	1.5MHz Min.	500kHz Min.
CAS13D31-722	Inductance	7.2mH $\pm$ 4%	7.2mH $\pm$ 4%	10.6mH $\pm$ 4%
	Unloaded Q	Min.35	Min.35	Min.30
	S.R.F	1MHz Min.	1MHz Min.	400kHz Min.

\* Measuring conditions : Inductance and Q at 125kHz,1V

单击下面可查看定价，库存，交付和生命周期等信息

[>>Sumida Corporation\(胜美达\)](#)