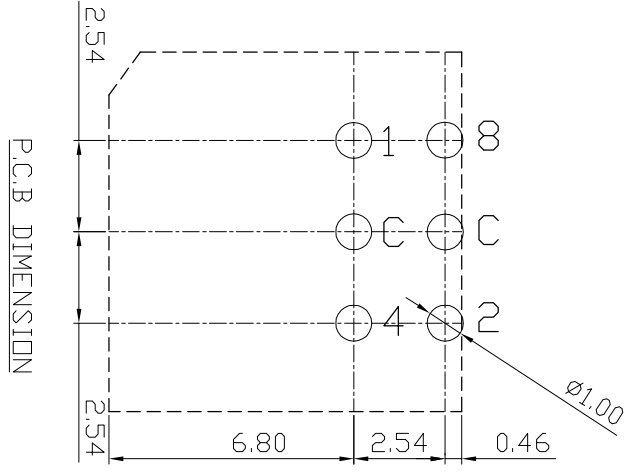
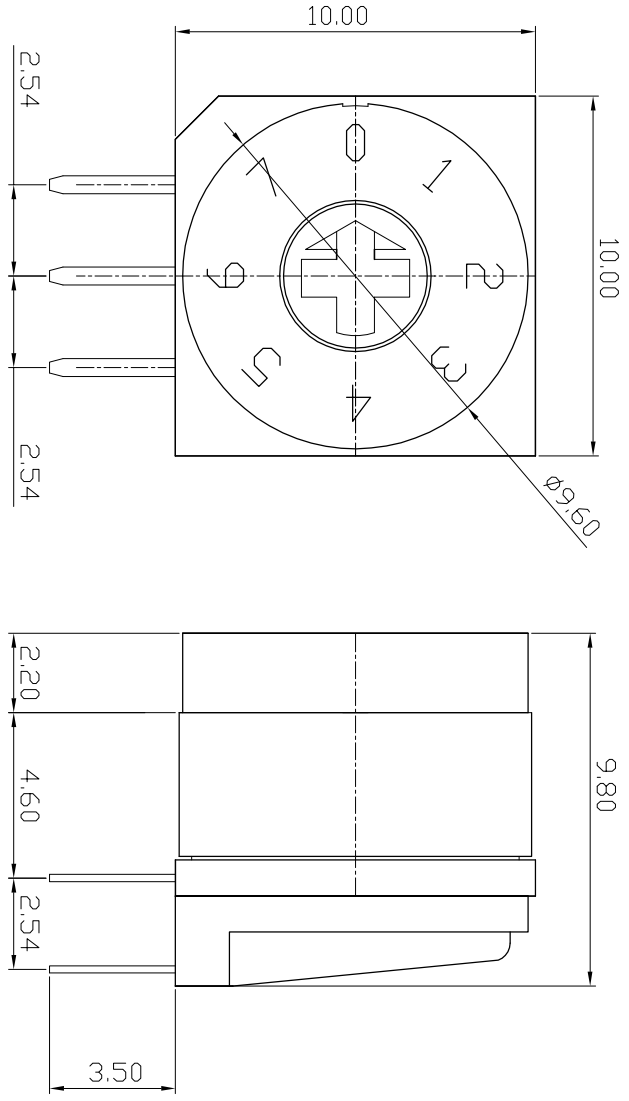
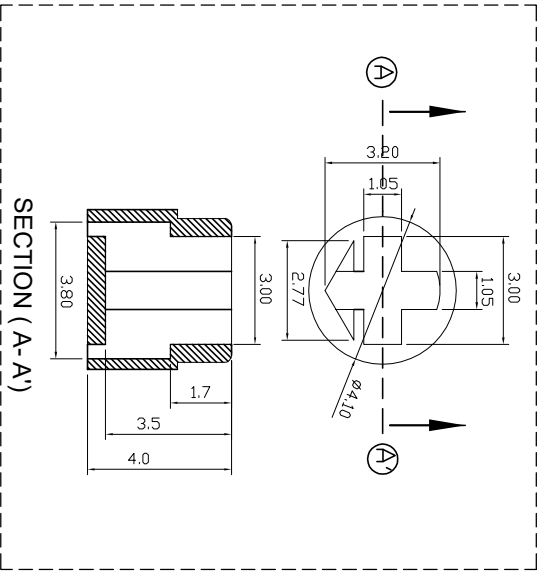


MARK	DATE	REMARKS
Δ		
Δ		

- ### SPECIFICATION
1. Rating : 150mA, 42V DC (Switching)  
200mA, 42V DC (None-Switching)
  2. Contact Resistance : 80mΩ Max
  3. Insulation Resistance : 100MΩ Min
  4. Operating Force : 700gf Max
  5. Life cycle : 10,000 steps



Real Coded					
	C	1	2	4	8
0	●	●	●	●	●
1	●	●	●	●	●
2	●	●	●	●	●
3	●	●	●	●	●
4	●	●	●	●	●
5	●	●	●	●	●
6	●	●	●	●	●
7	●	●	●	●	●



APPD	CHKD	D'SGD	TITLE
K.L LEE	J.P ROH	W.J LEE	ROTARY DIP SWITCH
MODEL NO.			TER-08H1
SUNGMUN ELECTRONICS CO., LTD.			REV B

单击下面可查看定价，库存，交付和生命周期等信息

[>>SUNGMUN\(韩国星纹电子\)](#)