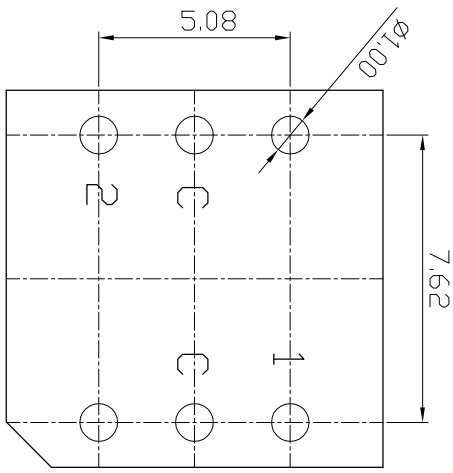
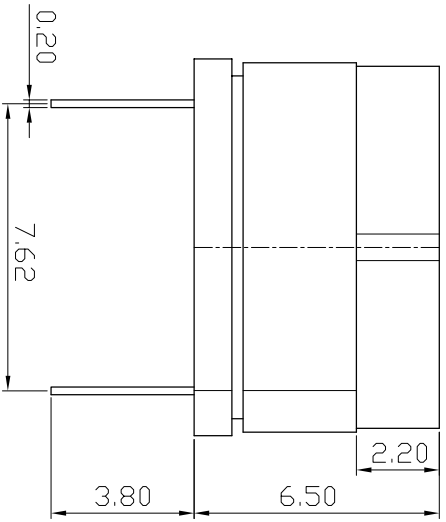
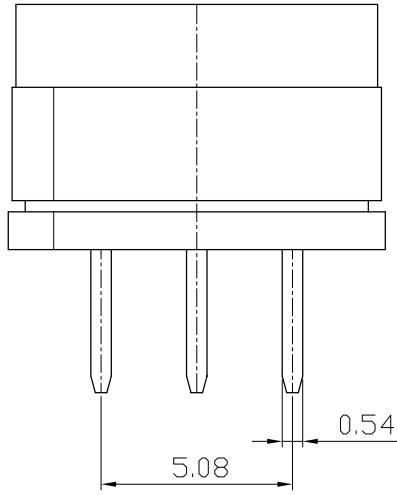
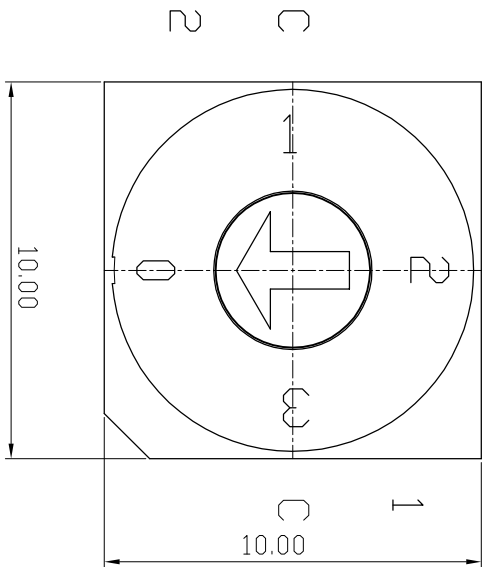


MARK	DATE	REMARKS
△		
△		



P.C.B DIMENSION

SPECIFICATION

1. Rating : 150mA, 42V DC (Switching)
200mA, 42V DC (None-Switching)
2. Contact Resistance : 80mΩ Max
3. Insulation Resistance : 100MΩ Min
4. Operating Force : 700gf Max
5. Life cycle : 10,000 steps

04 P o s i t i o n	Real Coded		
	C	1	2
0	●		
1		●	
2	●		●
3	●	●	●

APPD	CHKD	D'SGD	TITLE	ROTARY DIP SWITCH	
K.L LEE	J.P ROH	J.S SIN	MODEL NO.	TDR-04	REV A
SUNGWUN ELECTRONICS CO., LTD.					

单击下面可查看定价，库存，交付和生命周期等信息

[>>SUNGMUN\(韩国星纹电子\)](#)